

(19) World Intellectual Property Organization
International Bureau



(43) International Publication Date
10 May 2001 (10.05.2001)

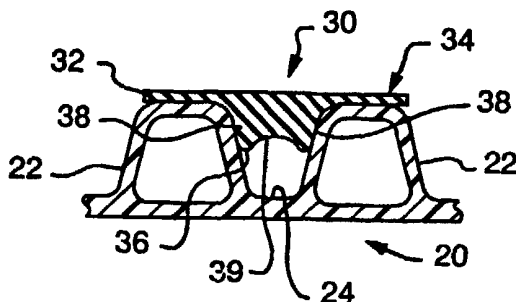
PCT

(10) International Publication Number
WO 01/33127 A3

- (51) International Patent Classification⁷: F16L 21/02, 21/08
- (72) Inventor: BROCKWAY, Robert, D.; 7 Canary Lane, Bedford, NH 03110 (US).
- (21) International Application Number: PCT/US00/41632
- (74) Agents: BOURQUE, Daniel, J. et al.; Bourque & Associates, P.A., 835 Hanover Street, Suite 303, Manchester, NH 03104 (US).
- (22) International Filing Date: 27 October 2000 (27.10.2000)
- (81) Designated States (*national*): CA, JP.
- (25) Filing Language: English
- Published:
— with international search report
- (26) Publication Language: English
- (88) Date of publication of the international search report:
20 September 2001
- (30) Priority Data:
60/161,861 27 October 1999 (27.10.1999) US
- (71) Applicant: NPC, INC. [US/US]; 250 Elm Street, P.O. Box 301, Milford, NH 03055 (US).
- For two-letter codes and other abbreviations, refer to the "Guidance Notes on Codes and Abbreviations" appearing at the beginning of each regular issue of the PCT Gazette.*



(54) Title: CORRUGATED PIPE ADAPTER AND CONNECTION SYSTEM



(57) Abstract: A corrugated pipe adapter (30) for providing a sealing surface on a corrugated pipe (20) includes a generally cylindrical sleeve (32) having a generally smooth outer clamping surface (34) and at least one protrusion (36). The protrusions (36) include side walls (38) and an arched structure (39) between the side walls (38). The protrusions (36) extend from an inside of the generally cylindrical sleeve (32). The side walls (38) move outwardly against the corrugations (22) on the corrugated pipe (20) when pressure is applied to the generally smooth outer clamping surface (34).

WO 01/33127 A3

INTERNATIONAL SEARCH REPORT

International application No.

PCT/US00/41632

A. CLASSIFICATION OF SUBJECT MATTER

IPC(7) : F16L 21/02, 21/08
 US CL : 285/236,903, 419,369

According to International Patent Classification (IPC) or to both national classification and IPC

B. FIELDS SEARCHED

Minimum documentation searched (classification system followed by classification symbols)
 U.S. : 285/236,903, 419,369

Documentation searched other than minimum documentation to the extent that such documents are included in the fields searched

Electronic data base consulted during the international search (name of data base and, where practicable, search terms used)

C. DOCUMENTS CONSIDERED TO BE RELEVANT

Category *	Citation of document, with indication, where appropriate, of the relevant passages	Relevant to claim No.
X	US 5,163,717 A (WISE) 17 November 1992 (17-11-1992), see figs. 6 and 9 which show smooth clamping surfaces and arched protrusions.	1-20
X	US 4,141,576 A (LUPKE et al.) 27 February 1979 (27-02-1979), see figs.6 and 7 which show a smooth outer clamping surface and arched protrusions.	1-20
X	US 5,072,972 A (JUSTICE) 17 December 1991 (17-12-1991), see fig. 7 which shows a smooth clamping surface and arched protrusions.	1-20

Further documents are listed in the continuation of Box C.

See patent family annex.

* Special categories of cited documents:	"T" later document published after the international filing date or priority date and not in conflict with the application but cited to understand the principle or theory underlying the invention
"A" document defining the general state of the art which is not considered to be of particular relevance	"X" document of particular relevance; the claimed invention cannot be considered novel or cannot be considered to involve an inventive step when the document is taken alone
"E" earlier application or patent published on or after the international filing date	"Y" document of particular relevance; the claimed invention cannot be considered to involve an inventive step when the document is combined with one or more other such documents, such combination being obvious to a person skilled in the art
"L" document which may throw doubts on priority claim(s) or which is cited to establish the publication date of another citation or other special reason (as specified)	"&" document member of the same patent family
"O" document referring to an oral disclosure, use, exhibition or other means	
"P" document published prior to the international filing date but later than the priority date claimed	

Date of the actual completion of the international search

30 March 2001 (30.03.2001)

Date of mailing of the international search report

23 APR 2001

Name and mailing address of the ISA/US

Commissioner of Patents and Trademarks
 Box PCT
 Washington, D.C. 20231

Authorized officer

Eric K Nicholson

Facsimile No. (703)305-3230

Telephone No. (703) 308-2168