



US 20200078207A1

(19) **United States**

(12) **Patent Application Publication**

**Parr et al.**

(10) **Pub. No.: US 2020/0078207 A1**

(43) **Pub. Date: Mar. 12, 2020**

(54) **URINE COLLECTION SYSTEM FOR WOMEN**

(71) Applicant: **BP Solutions, LLC**, Chickasha, OK (US)

(72) Inventors: **Bradley Steven Parr**, Chickasha, OK (US); **James Alen Mohrbacker**, El Mirage, AZ (US)

(73) Assignee: **BP Solutions, LLC**, Chickasha, OK (US)

(21) Appl. No.: **16/680,583**

(22) Filed: **Nov. 12, 2019**

**Related U.S. Application Data**

(63) Continuation-in-part of application No. 15/216,143, filed on Jul. 21, 2016, now abandoned.

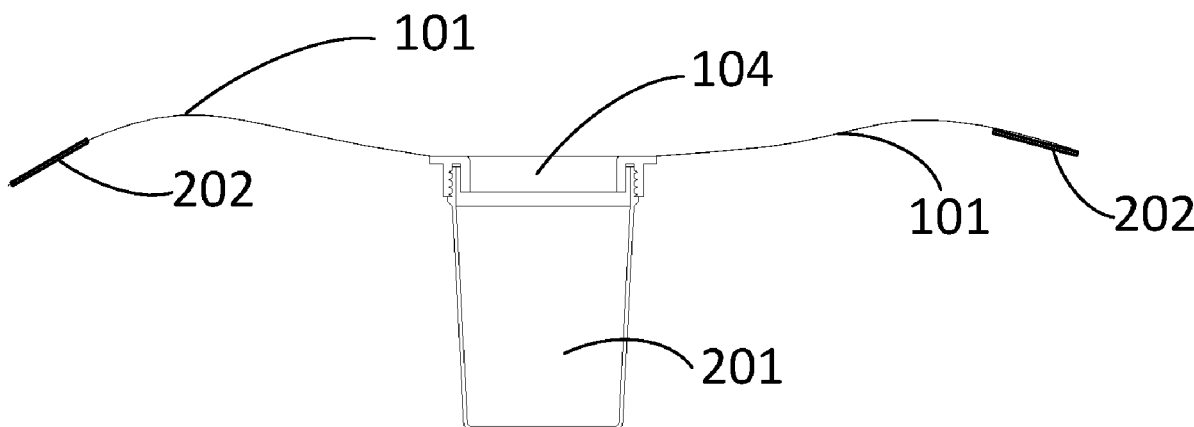
(60) Provisional application No. 62/197,941, filed on Jul. 28, 2015.

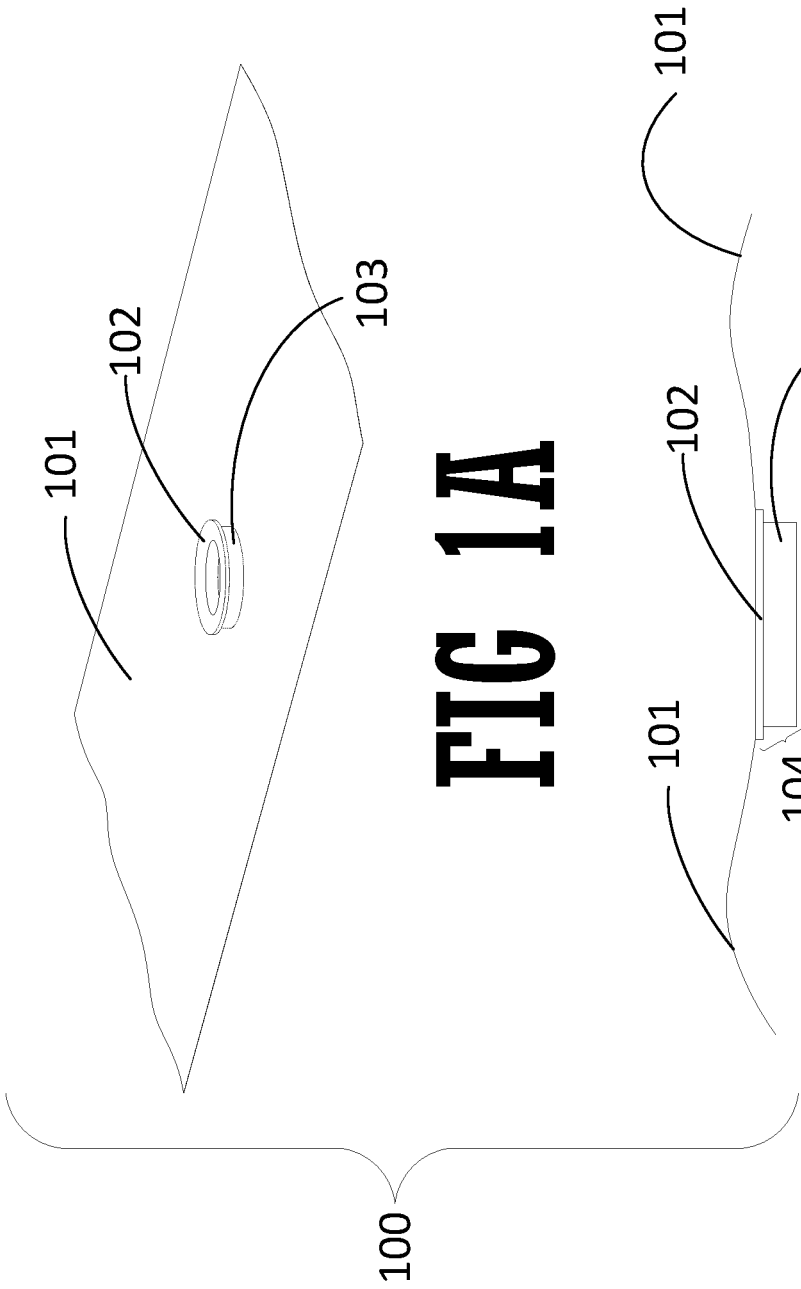
**Publication Classification**

(51) **Int. Cl.**  
*A61F 5/455* (2006.01)  
*A61F 5/44* (2006.01)  
(52) **U.S. Cl.**  
CPC ..... *A61F 5/455* (2013.01); *A61F 5/4404* (2013.01)

(57) **ABSTRACT**

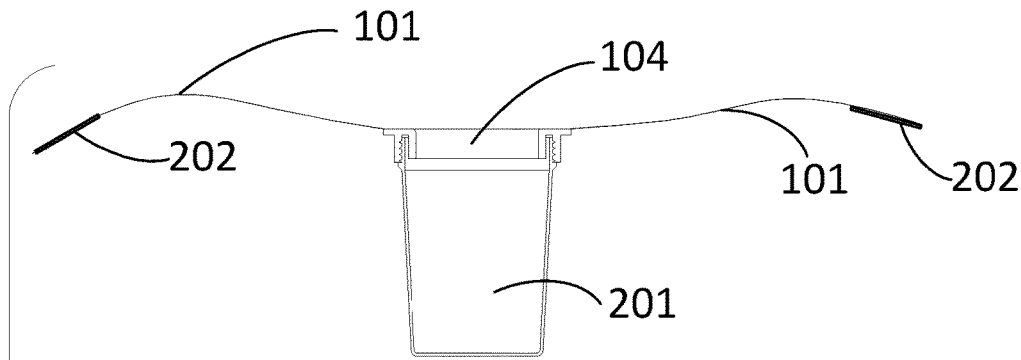
Embodiments of the Urine Collection System for Women are comprised of a collection sheet, a top collection flange, a bottom collection flange, and a standard collection cup. The collection sheet forms an aperture onto which the top collection flange rests. The collection flange protrudes through the collection sheet and forms the bottom collection flange. The top collection flange and the bottom collection flange are integrally formed together to form the overall collection flange. The bottom collection flange forms the attachment means for the collection cup. The standard collection cup is a common medical urine collection cup that attaches to the bottom collection flange via an attachment means. The combined weight of the top collection flange and the bottom collection flange deflects the collection sheet into a conical shape thereby causing the collection sheet to serve as a funnel directing urine into the collection cup.





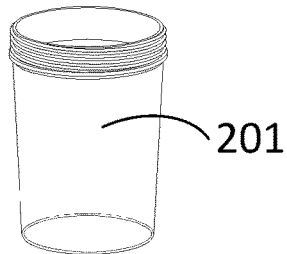
**FIG 1A**

**FIG 1B**

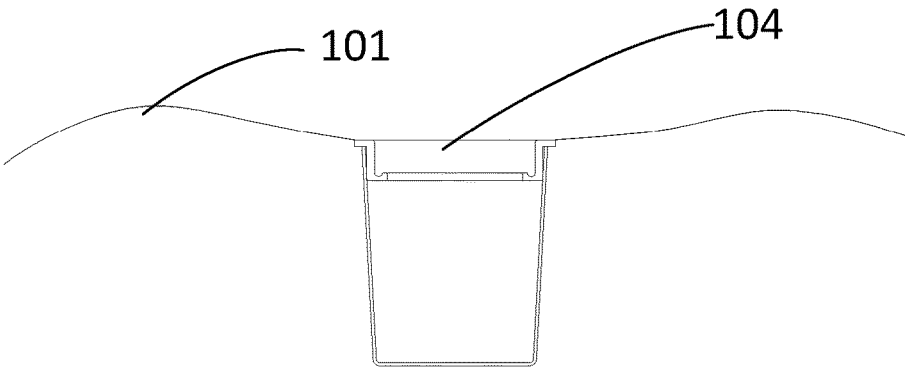


**FIG 2A**

100

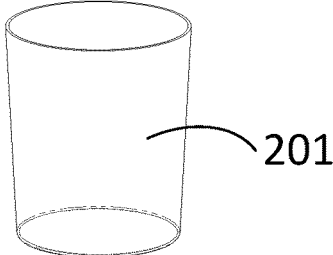


**FIG 2B**

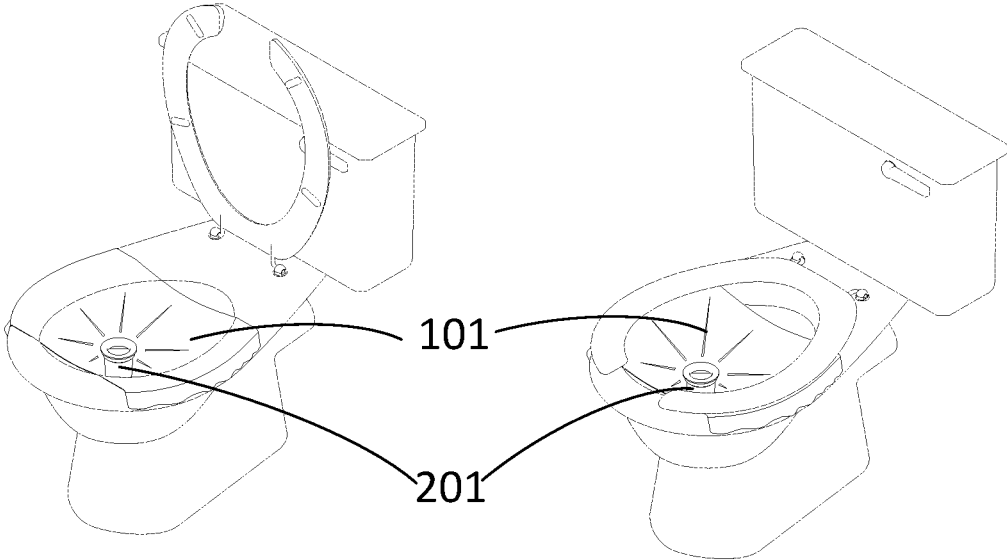


**FIG 3A**

100

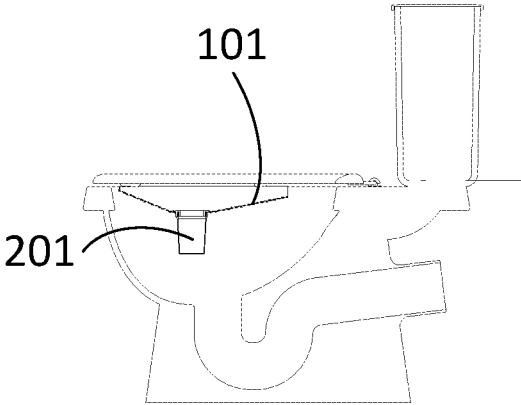


**FIG 3B**

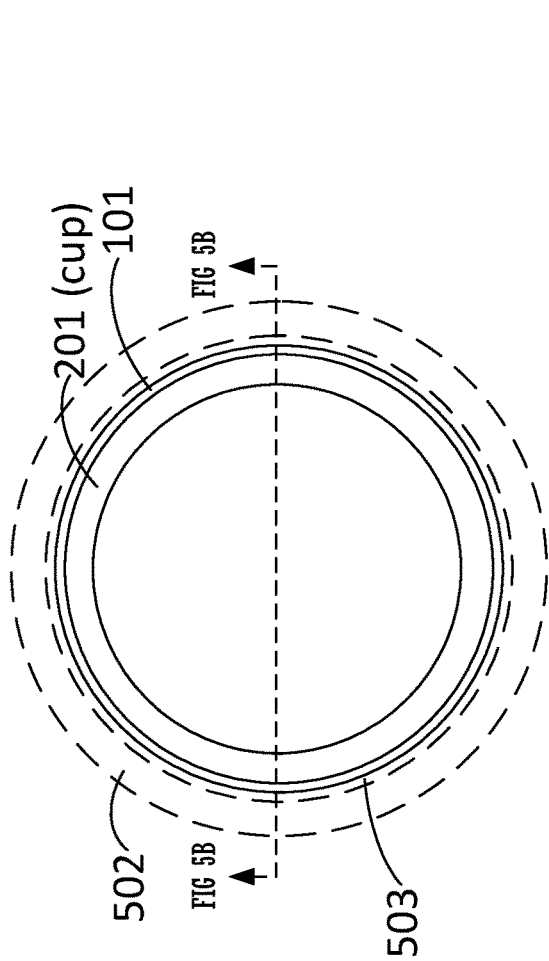


**FIG 4A**

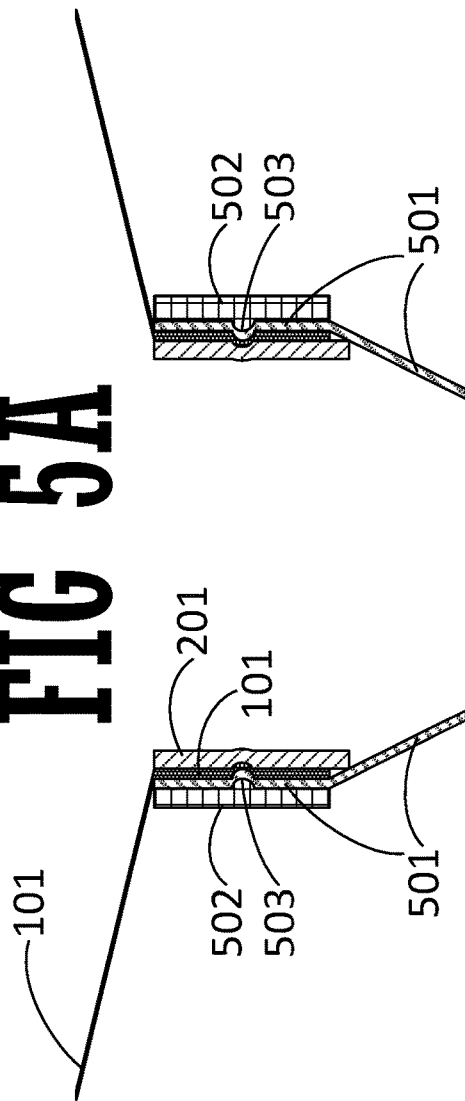
**FIG 4B**



**FIG 4C**



**FIG 5A**



**FIG 5B**

## URINE COLLECTION SYSTEM FOR WOMEN

### STATEMENT REGARDING FEDERALLY SPONSORED RESEARCH OR DEVELOPMENT

[0001] Not applicable

### BACKGROUND OF THE EMBODIMENTS

#### Field of the Embodiments

[0002] The general field of the embodiments of the Urine Collection System for Women is healthcare. More specifically, the field of the embodiments relates to collection of urine samples for female patients.

#### Description of Prior Art

[0003] Women are at an anatomical disadvantage when it comes to providing urine samples for analysis for health care and drug testing purposes. The process of urine collection for women using cups in a similar manner to men can be frustrating, messy, and unsanitary. Some prior art devices intended to solve this problem typically involve the use of a pouch that adheres to the skin. Other prior art devices use pouches that are pressed against the skin, but not adhered to the skin. These devices are complicated to use and can irritate the skin and are still difficult for a woman to use. Further, the prior art techniques can easily lead to contaminated samples. The purpose of the Urine Collection System for Women is to provide an easy, sanitary means for women to collect urine for medical analysis.

### SUMMARY OF THE EMBODIMENTS

[0004] Embodiments of the Urine Collection System for Women are comprised of a collection sheet, a top collection flange, a bottom collection flange, and a standard collection cup. The collection sheet is comprised of a thin polymeric sheet. In one embodiment of the Urine Collection System for Women, the thin polymeric sheet is comprised of polypropylene. The collection sheet forms an aperture onto which the top collection flange rests. The collection flange protrudes through the collection sheet and forms the bottom collection flange. The top collection flange and the bottom collection flange are integrally formed together to form the overall collection flange. The bottom collection flange forms the attachment means for the collection cup. In one embodiment of the Urine Collection System for Women, the attachment means is a resistance fit. In one embodiment of the Urine Collection System for Women, the collection cup is secured by a resistance fit to the bottom collection flange. In another embodiment of the Urine Collection System for Women, the attachment means is a threaded connection, and the collection cup is threadedly connected to the bottom collection flange.

[0005] The standard collection cup is a common medical urine collection cup that attaches to the bottom collection flange via an attachment means. The attachment means is comprised of either a resistance fit or a threaded connection. The standard collection cup is attached to the bottom collection flange and serves to collect urine. The combined weight of the top collection flange and the bottom collection flange deflects the collection sheet into a conical shape thereby causing the collection sheet to serve as a funnel directing urine into the collection cup.

[0006] There has thus been outlined, rather broadly, the more important features of the embodiments of the Urine Collection System for Women in order that the detailed description thereof that follows may be better understood, and in order that the present contribution to the art may be better appreciated. There are, of course, additional features of the embodiments that will be described hereinafter and which will form the subject matter of the claims appended hereto.

[0007] In this respect, before explaining at least one embodiment of the embodiments in detail, it is to be understood that the embodiment is not limited in this application to the details of construction and to the arrangements of the components set forth in the following description or illustrated in the drawings. The embodiment or embodiments are capable of other embodiments and of being practiced and carried out in various ways. Also, it is to be understood that the phraseology and terminology employed herein are for the purpose of description and should not be regarded as limiting. As such, those skilled in the art will appreciate that the conception, upon which this disclosure is based, may readily be used as a basis for the designing of other structures, methods and systems for carrying out the several purposes of the embodiments. Additional benefits and advantages of the embodiments will become apparent in those skilled in the art to which the present embodiments relates from the subsequent description of the preferred embodiment and the appended claims, taken in conjunction with the accompanying drawings. It is important, therefore, that the claims be regarded as including such equivalent constructions insofar as they do not depart from the spirit and scope of the embodiments.

[0008] Further, the purpose of the foregoing abstract is to enable the U.S. Patent and Trademark Office and the public generally, and especially the scientist, engineers and practitioners in the art who are not familiar with patent or legal terms or phraseology, to determine quickly from a cursory inspection the nature and essence of the technical disclosure of the application. The abstract is neither intended to define the embodiments of the application which is measured by the claims, nor is it intended to be limiting as to the scope of the embodiments in any way.

### BRIEF DESCRIPTION OF THE DRAWINGS

[0009] FIG. 1A is a perspective view of an embodiment of the Urine Collection System for Women; FIG. 1B is a side view of an embodiment of the Urine Collection System for Women.

[0010] FIG. 2A is a side view of an embodiment of the Urine Collection System for Women showing the collection cup attached; FIG. 2B is a perspective view of an embodiment of the standard collection cup that engages with the Urine Collection System for Women.

[0011] FIG. 3A is a side view of an embodiment of the Urine Collection System for Women showing how the standard collection cup engages with the Urine Collection System for Women;

[0012] FIG. 3B is a side view of an embodiment of the standard collection cup that engages with the Urine Collection System for Women.

[0013] FIG. 4A is a schematic view of an embodiment of the Urine Collection System for Women showing how the Urine Collection System for Women engages with a toilet with the toilet seat raised; FIG. 4B is a schematic view of an

embodiment of the Urine Collection System for Women showing how the Urine Collection System for Women engages with a toilet with the toilet seat lowered; FIG. 4C is a side view of an embodiment of the Urine Collection System for Women showing how the Urine Collection System for Women engages with a toilet.

**[0014]** FIG. 5A is a schematic top view of an embodiment of the Urine Collection System for Women; FIG. 5B is a schematic top view of an embodiment of the Urine Collection System for Women.

#### DETAILED DESCRIPTION OF THE PREFERRED EMBODIMENTS

**[0015]** Embodiments of the Urine Collection System for Women **100** are comprised of a collection sheet **101**, a top collection flange **102**, a bottom collection flange **103**, and a collection cup **201**.

**[0016]** The collection sheet **101** is comprised of a thin polymeric sheet. In one embodiment of the Urine Collection System for Women, the thin polymeric sheet is comprised of polypropylene. The collection sheet **101** is adhered to the top collection flange **102** using either thermal forming (melting) of the collection sheet **101** to the top of the top collection flange **102** or by the use of adhesive. The collection sheet **101** forms an aperture onto which the top collection flange **102** rests. The collection flange protrudes through the collection sheet **101** and forms the bottom collection flange **103**. The top collection flange **102** and the bottom collection flange **103** are integrally formed together to form the overall collection flange **104**. The bottom collection flange **103** forms the attachment means for the collection cup **201**. In one embodiment of the Urine Collection System for Women, the attachment means is a resistance fit. The collection cup **201** is secured by a resistance fit to the bottom collection flange **103**. In another embodiment of the Urine Collection System for Women, the attachment means is a threaded connection. In this embodiment, the collection cup **201** is threadedly connected to the bottom collection flange **103**.

**[0017]** The collection cup **201** is a common medical urine collection cup that attaches to the bottom collection flange **103** via an attachment means. The collection cup **201** may also be a standard medical collection cup. The attachment means is comprised of either a resistance fit or a threaded connection. The collection cup **201** is attached to the bottom collection flange **103** and serves to collect urine. The combined weight of the top collection flange **102** and the bottom collection flange **103** deflects the collection sheet **101** into a conical shape thereby causing the collection sheet **101** to serve as a funnel directing urine into the collection cup **201**.

**[0018]** In another embodiment of the Urine Collection System for Women, the attachment means for the urine collection cup is a resistance fit with a polymeric adhesive means around the perimeter of the opening of the collection flange. The collection cup **201** in this embodiment does not employ threads to engage with the collection flange **102**, but rather the polymeric adhesive retains the collection cup in place in place of threads. Further, the outside diameter of the cup is essentially the same as in the inside diameter of the flange, so the cup is engaged by a resistance fit.

**[0019]** In another embodiment of the Urine Collection System for Women, adhesive means **202** are located on the edges of the collection sheet **101**. The adhesive means comprises a silicone polymer temporary adhesive or other

type of temporary adhesive system. The adhesive means **202** provides a means of securing the collection sheet to at toilet seat,

**[0020]** In a best mode of use of the Urine Collection System for Women, the user secures the collection cup **201** onto the bottom collection flange **103** either through a resistance fit or a threaded connection. The collection sheet **101** is placed onto a toilet seat. In the embodiment of the Urine Collection System for Women that comprises an adhesive means **202**, that adhesive means is used to additionally secure the collection sheet **101** to the toilet seat. The collection cup **201** should be centered roughly in the middle of the toilet seat opening. The user then sits on the toilet seat and produces urine. The urine then flows to the center of the collection sheet **101** and flows into the collection cup **201**. The user then removes the collection sheet **101** from the toilet, removes the collection cup **201** from the bottom collection flange **103**, and places the collection cup lid on the collection cup **201** for storage, transport, or use by the medical facility.

**[0021]** In another embodiment, the Urine Collection System for Women **100** is comprised of a collection sheet **101**, an elastomer ring **501**, an outer ring **502** comprising a raised ring **503** that forms a seal among the collection sheet **101**, the elastomeric ring **501**, and the inner ring **201**. In this embodiment, non-standard sized collection cups with or without threads can be used. The outer ring **502**, the inner ring **201**, and the raised ring **503** operates to seal the collection sheet **101** and the elastomeric ring **501** against the inner ring **201**. The collection cup of any size can be inserted into the either the center of the elastomeric ring **501** from above and pushed downward to seal or inserted from the underneath by elongating the elastomeric ring **501** around the outer edge of the sample cup and rotated up until the cup reaches the bottom of ring **201**.

What we claimed is:

1) A urine collection system for women comprised of a collection sheet, a top collection flange, a bottom collection flange, an attachment means and a collection cup, an optional adhesive means located on edges of the collection sheet, wherein the collection sheet is comprised of polypropylene, wherein the collection sheet forms an aperture onto which the top collection flange rests, wherein the collection flange protrudes through the collection sheet and forms the bottom collection flange, wherein the top collection flange and the bottom collection flange are integrally formed together to form an overall collection flange, wherein the attachment means is a resistance fit, wherein the collection cup is secured by the resistance fit to the bottom collection flange, wherein the bottom collection flange forms the attachment means for the collection cup, wherein the attachment means is a threaded connection, and wherein the optional adhesive means comprises a silicone polymer temporary adhesive or other type of temporary adhesive.

2) A Urine Collection System for Women comprised of a collection sheet, an elastomer ring, an outer ring comprising a raised ring that forms a seal among the collection sheet, the elastomeric ring, and the inner ring.

3) The urine collection system in claim 2 wherein non-standard sized collection cups with or without threads can be used.



4) The urine collection system in claim 2 wherein the outer ring, the inner ring, and the raised ring operate to seal the collection sheet and the elastomeric ring against the inner ring.

5) The urine collection system in claim 2 wherein the collection cup of any size can be inserted into the either the center of the elastomeric ring from above and pushed downward to seal or inserted from the underneath by elongating the elastomeric ring around the outer edge of the sample cup and rotated up until the cup reaches the bottom of ring.

\* \* \* \* \*