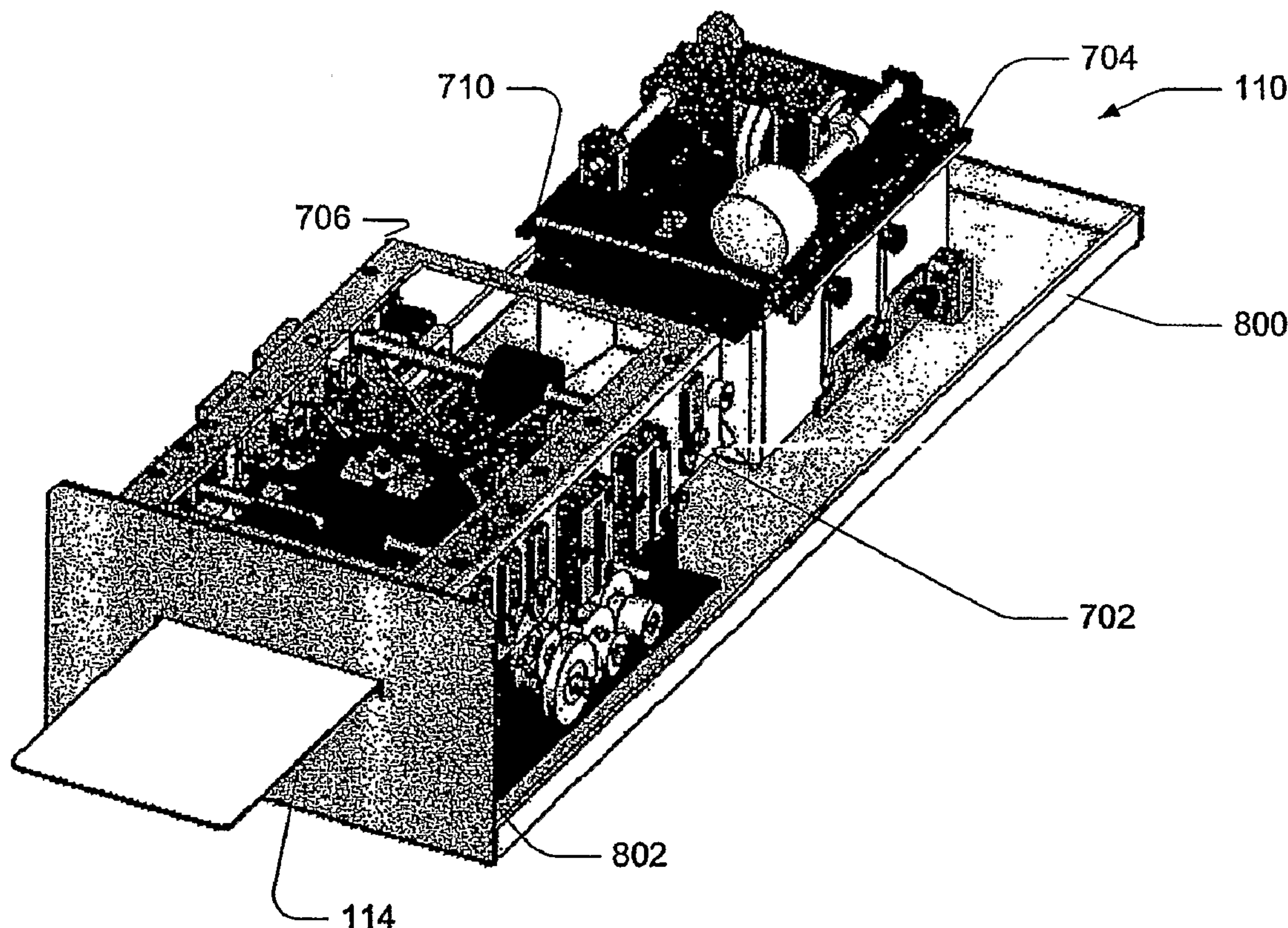




(86) Date de dépôt PCT/PCT Filing Date: 2004/09/02
 (87) Date publication PCT/PCT Publication Date: 2005/03/10
 (85) Entrée phase nationale/National Entry: 2006/10/26
 (86) N° demande PCT/PCT Application No.: US 2004/028590
 (87) N° publication PCT/PCT Publication No.: 2005/021275
 (30) Priorité/Priority: 2003/09/02 (US10/654,521)

(51) Cl.Int./Int.Cl. *B41M 5/00* (2006.01),
B41J 11/58 (2006.01), *B41J 13/12* (2006.01),
B41J 2/01 (2006.01), *G06K 7/08* (2006.01)
 (71) Demandeur/Applicant:
 FUTURELOGIC, INC., US
 (72) Inventeur/Inventor:
 MEYERHOFER, ERIC, US
 (74) Agent: FETHERSTONHAUGH & CO.

(54) Titre : IMPRIMANTE DE CARTES REINSCRIPTIBLES A TETE RETRACTABLE
 (54) Title: REWRITABLE CARD PRINTER WITH RETRACTABLE HEAD



(57) Abrégé/Abstract:

A rewritable card printer (110) having a retractable head. The head such as a magnetic read/write head (2101) is retracted whenever a rewritable card (114), not having feature recognizable by the head, is inserted into the rewritable card printer. The head is retractable to minimize wear on the head when the head is not in use. In a rewritable printer having multiple other heads, the other heads may be used to read from the rewritable card while the retractable head is retracted. If the other heads are incapable of reading the rewritable card, the retractable head is extend to read from the rewritable card.

(12) INTERNATIONAL APPLICATION PUBLISHED UNDER THE PATENT COOPERATION TREATY (PCT)

(19) World Intellectual Property
Organization
International Bureau



(43) International Publication Date
10 March 2005 (10.03.2005)

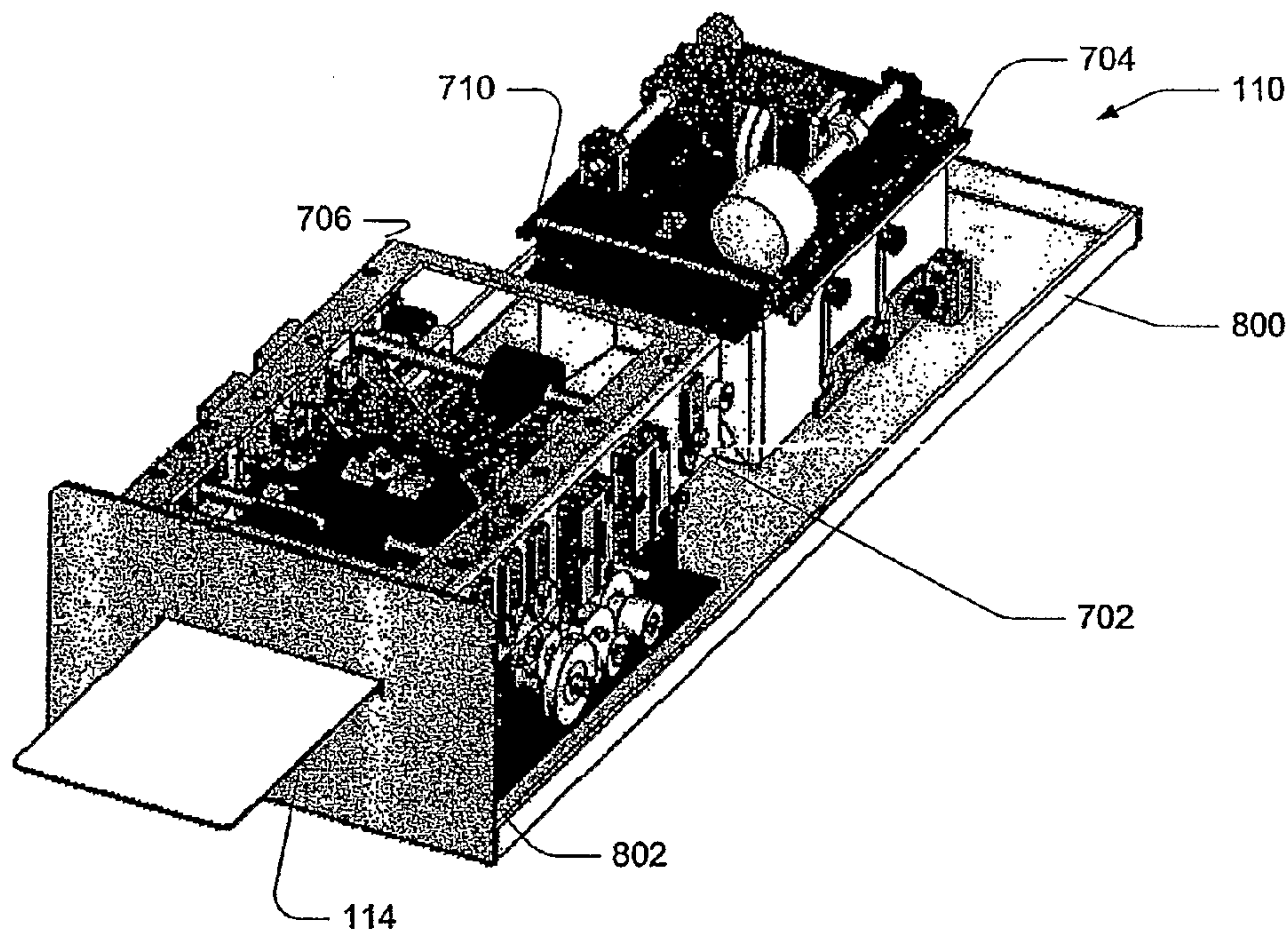
PCT

(10) International Publication Number
WO 2005/021275 A3

- (51) International Patent Classification⁷: **B41M 5/00**, B41J 13/12, 11/58, 2/01, G06K 7/08
- (74) Agents: **CIRE, Frank, L.** et al.; Fitzpatrick, Cella, Harper & Scinto, 30 Rockefeller Plaza, New York, NY 10112-3801 (US).
- (21) International Application Number: PCT/US2004/028590
- (81) Designated States (*unless otherwise indicated, for every kind of national protection available*): AE, AG, AL, AM, AT, AU, AZ, BA, BB, BG, BR, BW, BY, BZ, CA, CH, CN, CO, CR, CU, CZ, DE, DK, DM, DZ, EC, EE, EG, ES, FI, GB, GD, GE, GH, GM, HR, HU, ID, IL, IN, IS, JP, KE, KG, KP, KR, KZ, LC, LK, LR, LS, LT, LU, LV, MA, MD, MG, MK, MN, MW, MX, MZ, NA, NI, NO, NZ, OM, PG, PH, PL, PT, RO, RU, SC, SD, SE, SG, SK, SL, SY, TJ, TM, TN, TR, TT, TZ, UA, UG, US, UZ, VC, VN, YU, ZA, ZM, ZW.
- (22) International Filing Date: 2 September 2004 (02.09.2004)
- (81) Designated States (*unless otherwise indicated, for every kind of regional protection available*): ARIPO (BW, GH, GM, KE, LS, MW, MZ, NA, SD, SL, SZ, TZ, UG, ZM, ZW), Eurasian (AM, AZ, BY, KG, KZ, MD, RU, TJ, TM), European (AT, BE, BG, CH, CY, CZ, DE, DK, EE, ES, FI, FR, GB, GR, HU, IE, IT, LU, MC, NL, PL, PT, RO, SE, SI, SK, TR), OAPI (BF, BJ, CF, CG, CI, CM, GA, GN, GQ, GW, ML, MR, NE, SN, TD, TG).
- (25) Filing Language: English
- (26) Publication Language: English
- (30) Priority Data: 10/654,521 2 September 2003 (02.09.2003) US
- (71) Applicant (*for all designated States except US*): **FUTURELOGIC, INC.** [US/US]; 425 E. Colorado Street, Suite 100, Glendale, CA 91205 (US).
- (72) Inventor; and
- (75) Inventor/Applicant (*for US only*): **MEYERHOFER, Eric** [US/US]; 1030 Shafer Street, Suite 670, Oceanside, CA 92054 (US).

[Continued on next page]

(54) Title: REWRITABLE CARD PRINTER WITH RETRACTABLE HEAD



(57) Abstract: A rewritable card printer (110) having a retractable head. The head such as a magnetic read/write head (2101) is retracted whenever a rewritable card (114), not having feature recognizable by the head, is inserted into the rewritable card printer. The head is retractable to minimize wear on the head when the head is not in use. In a rewritable printer having multiple other heads, the other heads may be used to read from the rewritable card while the retractable head is retracted. If the other heads are incapable of reading the rewritable card, the retractable head is extended to read from the rewritable card.

WO 2005/021275 A3

WO 2005/021275 A3



Published:

— *with international search report*

(88) Date of publication of the international search report:

29 December 2005

For two-letter codes and other abbreviations, refer to the "Guidance Notes on Codes and Abbreviations" appearing at the beginning of each regular issue of the PCT Gazette.

1

5

10 REWRITABLE CARD PRINTER WITH RETRACTABLE HEAD

BACKGROUND OF THE INVENTION

15 This invention relates generally to gaming printers and more specifically to printers for use in cashless gaming machines that use rewritable cards.

20 The gaming machine manufacturing industry provides a variety of gaming machines for the amusement of gaming machine players. An exemplary gaming machine is a slot machine. A slot machine is an electro-mechanical game wherein chance or the skill of a player determines the outcome of the game. Slot machines are usually found in casinos or other more informal gaming establishments.

25 Gaming machine manufacturers have more recently introduced cashless enabled games to the market and these have begun to find wide acceptance in the gaming industry. Cashless enabled games are so named because they can conduct financial exchanges using a mixture of traditional currencies and rewritable cards. Typically, a cashless enabled game has a gaming printer to produce rewritable cards and a rewritable card reader that supports automatic reading of rewritable cards. To coordinate the activities of multiple cashless enabled games, one or more cashless enabled games may be electronically coupled to a cashless enabled game system that controls the cashless operations of a cashless enabled game.

35

 When a player cashes out using a cashless enabled game coupled to a cashless enabled game system, the cashless enabled game signals the system and the system may determine

1

the type of pay out presented to the player. Depending on the size of the pay out, the cashless enabled game system may cause the cashless enabled game to present coins in the traditional method of a slot machine, or the cashless enabled game system may cause a gaming printer in the cashless enabled game to produce a rewritable card for the value of the pay out. The rewritable card may then be redeemed in a variety of ways. For example, the rewritable card may be redeemed for cash at a cashier's cage or used with another cashless enabled game. In order to use the rewritable card in a cashless enabled game, the rewritable card is inserted into a rewritable card reader of another cashless enabled game at a participating casino and the cashless enabled game system recognizes the rewritable card, redeems the rewritable card, and places an appropriate amount of playing credits on the cashless enabled game.

Cashless enabled games have found an increasing acceptance and use in the gaming industry, both with players who enjoy the speed of play and ease of transporting their winnings around the casino and casinos who have realized significant labor savings in the form of reduced coin hopper reloads in the games, and an increase in revenue because of the speed of play. Practical field experience with printers used in cashless enabled games has illustrated that there are areas for improvement in the current printer designs and implementation. These areas in need of improvement include methods and means for using rewritable card media for printing of vouchers.

SUMMARY OF THE INVENTION

A rewritable card printer useful as a gaming machine printer for printing vouchers is provided. The rewritable card printer includes a print module coupled to one or more separate card magazines, each having independent card drives. The operations of the print module and one or more card magazines is controlled by a printer controller. Cards

1

may be exchanged between multiple card magazines so that cards can be escrowed, exchanged, or selectively located and retrieved. The print module may receive as well as dispense cards from and to an external card source so that the card magazines may be replenished without opening up a gaming machine hosting the rewritable card printer. The print module may further include a security device reader that is used to read security features embedded in the cards. The security features may be used to track individual card use and to guard against card duplication and fraud.

In another aspect of the invention, a rewritable card printer includes a print module having a print card drive and a print head with the print module mechanically coupled to a base. The rewritable card printer further includes a card magazine having a card storage location and a magazine card drive with the card magazine coupled to the base such that the magazine card drive and the print card drive may exchange cards. The rewritable card printer a printer controller electronically coupled to the print module and the card magazine. The printer controller includes a processor and a memory coupled to the processor. The memory has program instructions stored therein, the program instructions for operation by the printer controller of the print module and the card magazine.

In another aspect of the invention, the program instructions further include receiving card information for printing onto a card, generating printable indicia using the card information, and printing onto a rewritable card the printable indicia using the print head.

In another aspect of the invention, the rewritable card printer further includes an erase head with the program instructions further including instructions for erasing the rewritable card using the erase head.

In another aspect of the invention, the rewritable card printer further includes a security feature reader, the program instructions further including reading a security

1

signature from the rewritable card using the security feature reader.

5 In another aspect of the invention, the rewritable card printer may be removably coupled to an external card magazine for dispensing and receiving cards.

10 In another aspect of the invention, the rewritable card printer may be programmed using a rewritable card or an external controller.

In another aspect of the invention, the rewritable card printer further includes encryption/decryption means coupled to the printer controller.

15 In another aspect of the invention, the rewritable card printer further includes a display device coupled to the printer controller.

In another aspect of the invention, the rewritable card printer further includes a card cleaning device coupled to the input module.

20 In another aspect of the invention, the input module further includes a magnetic strip read/write head.

In another aspect of the invention, the input module further includes an optical scanning device.

25 In another aspect of the invention, the input module further includes means for coupling to a static memory in a rewritable card.

30 In another aspect of the invention, the program instructions further include: receiving a card for storage; reading card information from the card; erasing the card; storing the card information in a static memory; and storing the card in the card magazine.

35 In another aspect of the invention, the card magazine further includes the static memory for storage of the card information.

In another aspect of the invention, the base is slidably coupled to a base plate fixedly coupled to a gaming machine.

1

In another aspect of the invention, the card magazine is slidably coupled to the base.

5 In another aspect of the invention, the print module is removably coupled to the base by mechanical quick disconnect means and removably coupled to the printer controller by electrical quick disconnect means.

10 In another aspect of the invention, the card magazine is removably coupled to the base by mechanical quick disconnect means and removably coupled to the printer controller by electrical quick disconnect means.

15 In another aspect of the invention, the rewritable card further comprises a second card magazine coupled to the base such that the second card magazine's magazine card drive is in communication with the first of the card magazine's magazine card drive.

20 In another aspect of the invention, the program instructions further include: receiving a request for a card located in the first card magazine; determining the location of the requested card located in the first card magazine; and moving cards from the first card magazine to the second card magazine until the location of the requested card is reached.

25 In another aspect of the invention, the rewritable card printer further includes an additional card magazine coupled to the base such that the second card magazine's magazine card drive is in communication with the print module's print card drive.

30 In another aspect of the invention, the program instructions further include instructions for escrowing a card or exchanging a card for another card.

In another aspect of the invention, the print module further includes an embossing detector.

35

BRIEF DESCRIPTION OF THE DRAWINGS

These and other features, aspects, and advantages of the present invention will become better understood with

1

regard to the following description, appended claims, and accompanying drawings where:

5 FIG. 1 is a block diagram of a cashless gaming machine and system in accordance with an exemplary embodiment of the present invention;

10 FIG. 2a is an illustration of a rewritable card in accordance with an exemplary embodiment of the present invention;

FIG. 2b is an illustration of another portion of a rewritable card in accordance with an exemplary embodiment of the present invention;

15 FIG. 2c is an illustration of another portion of a rewritable card having a static memory in accordance with an exemplary embodiment of the present invention;

FIG. 3 is a block diagram illustrating a security feature employing capacitive inks in accordance with an exemplary embodiment of the present invention;

20 FIG. 4 is a block diagram of a security feature utilizing an optical signature in accordance with an exemplary embodiment of the present invention;

25 FIG. 5 is a block diagram of a security feature using randomly deposited radio sensitive fibers embedded in a rewritable card in accordance with an exemplary embodiment of the present invention;

FIG. 6 is a block diagram of the operation of a rewritable card printer in accordance with an exemplary embodiment of the present invention;

30 FIG. 7a is a block diagram of a rewritable card printer in accordance with an exemplary embodiment of the present invention;

35 FIG. 7b is an architecture diagram of a rewritable card printer employing components having integral controllers in accordance with an exemplary embodiment of the present invention;

FIG. 8 is an isometric view of a rewritable card printer in accordance with an exemplary embodiment of the

1

present invention;

5 FIG. 9 is an isometric view of a rewritable card printer with the card magazine opened in accordance with an exemplary embodiment of the present invention;

FIG. 10 is a top plan view of a rewritable card printer in accordance with an exemplary embodiment of the present invention;

10 FIG. 11a is side elevation view of a rewritable card printer in accordance with an exemplary embodiment of the present invention;

15 FIG. 11b is side elevation view of a rewritable card charging process in accordance with an exemplary embodiment of the present invention;

FIG. 11c is a side elevation view of a rewritable card printer with a card magazine having two independent magazine card drives in accordance with an exemplary embodiment of the present invention;

20 FIG. 11d is a side elevation view of a card magazine having a plurality of card storage locations serviced by a single card magazine drive in accordance with an exemplary embodiment of the present invention;

25 FIG. 11e is side elevation view of a rewritable card printer slidably coupled to a gaming machine in accordance with an exemplary embodiment of the present invention;

FIG. 12 is a process flow diagram of a rewritable card printing process in accordance with an exemplary embodiment of the present invention;

30 FIG. 13 is a process flow diagram of a card escrowing process used by a rewritable card printer in accordance with an exemplary embodiment of the present invention;

35 FIG. 14 is a card retrieval process used by a rewritable card printer having companion magazines in accordance with an exemplary embodiment of the present invention;

FIG. 15 is a process flow diagram of a card location process used by a rewritable card printer having multiple

1

card magazines in accordance with an exemplary embodiment of the present invention;

5 FIG. 16 is a process flow diagram of a card replacement process in accordance with the present invention;

FIG. 17 is a process flow diagram of a programming process using a rewritable card in accordance with an exemplary embodiment of the present invention;

10 FIG. 18 is a process flow diagram of a card information storage process in accordance with an exemplary embodiment of the present invention;

FIG. 19 is a process flow diagram of a card information retrieval process in accordance with an exemplary embodiment of the present invention;

15 FIG. 20 is a stored card status printing process in accordance with an exemplary embodiment of the present invention;

20 FIG. 21 is a side elevation view of a retractable head mounted in a print module in accordance with an exemplary embodiment of the present invention; and

FIG. 22 is a process flow diagram of a rewritable card read or write process using a retractable head in accordance with an exemplary embodiment of the present invention.

25

DETAILED DESCRIPTION

FIG. 1 is a block diagram of a cashless enabled gaming machine coupled to a rewritable card printer in accordance with an exemplary embodiment of the present invention. A cashless gaming system includes a cashless gaming system controller 100 hosted by a system host 102 coupled 104 to one or more cashless enabled games 106. A cashless enabled game includes a game controller 108 that controls the operation of the cashless enabled game. The game controller is coupled to a rewritable card printer 110. The cashless enabled game uses the rewritable card printer to write rewritable card media such as rewritable card 114. The rewritable card printer includes card identification and

35

1

printing algorithms 113 used in conjunction with rewritable cards. The rewritable card includes the cash-out information for a player.

5

The rewritable card printer may also be coupled (112) to the host system and cashless gaming controller. The rewritable card may be redeemed (116) in a variety of ways. The rewritable card may be redeemed by a human cashier or card reader 122 at a game table 124, or a human cashier or card reader 126 at a cashier's cage or kiosk 128, or by a card reader 118 at another cashless enabled game 120. Redemption is only possible after the rewritable card passes a verification of account information 130 and validation using security features 132 included in the rewritable card.

10

15

FIG. 2a is an illustration of a rewritable card in accordance with an exemplary embodiment of the present invention. The rewritable card shown is produced from commands issued by the cashless enabled game to the gaming printer in response to a player's request to cash-out. The rewritable card 114 includes features such as a validation number, printed in both a human readable form such as a character string 200 and in a machine-readable form such as a bar code 202, time and date stamps 204, cash-out amount 206, casino location information 208, cashless enabled game identifier 210, and an indication of an expiration date 212. Included in the card is a security feature 132 that may take one or more forms as discussed below.

20

25

30

In one rewritable card media in accordance with an exemplary embodiment of the present invention, one face of the rewritable card includes a layer of writable and erasable thermally sensitive film. The thermal film becomes opaque at one temperature level but becomes transparent at another temperature. This effect can be used to create a thermally rewritable card.

35

FIG. 2b is an illustration of another side of a rewritable card in accordance with an exemplary embodiment of the present invention. The rewritable card 114 may also

1

include a read/write magnetic strip 214 for encoding of any of the information described above.

5 In addition, the magnetic strip may be used to transmit information to the rewritable card printer. For example, the magnetic strip may encode instructions such as configuration flags or programming instructions used to reconfigure or reprogram a rewritable card printer.

10 FIG. 2c is an illustration of another portion of a rewriteable card having a static memory in accordance with an exemplary embodiment of the present invention. The rewriteable card 114 may also include a static memory 216 embedded in the rewritable card so that the rewritable card
15 can be used as a "smart" card for encoding of any of the information described above.

In addition, the static memory may be used to transmit information to the rewritable card printer. For example, the static memory may encode instructions such as
20 configuration flags or programming instructions used to reconfigure or reprogram a rewritable card printer.

FIG. 3 is a block diagram illustrating a security feature employing capacitive inks in accordance with an exemplary embodiment of the present invention. A rewritable
25 card 114 may be imprinted with metallic inks to create one or more capacitors in the rewriteable card. The one or more capacitors may be used to create a security feature in the form of a capacitor structure 300 whose capacitance may be detected by a capacitance sensor 302 coupled to the
30 rewritable card. As the card moves across the sensor (as indicated by arrow 304) the sensor senses changes in the localized capacitance of the card and generates (306) a security signature signal 308 corresponding to the structure of the capacitor structure 300 in the rewritable card. This
35 security signature signal may be used to identify each rewritable card used in a cashless enabled gaming system.

FIG. 4 is a block diagram of a security feature utilizing an optical signature in accordance with an

1

exemplary embodiment of the present invention. To use this security feature, a rewritable card 114 includes a structure 400 having a variable optical density or optical reflectivity that is not apparent under normal lighting conditions. However, when a high intensity light, such as a laser beam 402 generated by a laser diode 404 or other laser beam generating device, is transmitted through the rewritable card, a light sensor 406 may detect fluctuations in the intensity of the transmitted or reflected laser beam caused by the structure. If the card is moved past the laser beam (as indicated by arrow 408) the moving structure generates a changing light signal that is received by the light sensor. In response to the changing light signal, the light sensor generates (410) a time varying security signature signal 412 that may be used as a signature to uniquely identify each rewritable card used in a cashless gaming system.

20 FIG. 5 is a block diagram of a security feature using randomly deposited radio sensitive fibers or inks embedded in a rewritable card in accordance with an exemplary embodiment of the present invention. A rewritable card 114 may include a layer of randomly deposited radio sensitive fibers 500 embedded within the card. An excitor 502 is used to transmit short pulses of radio waves 504 into the layer of fibers. In response to the radio waves, the fibers generate a resultant radio frequency signal 506 that may be detected by a sensor 508. If the rewritable card is moving (as indicated by direction arrow 509) as the fibers are being excited, the sensor receives a time varying radio frequency signal generated by the excited and moving fibers. In response to the time varying radio frequency signal, the sensor generates (510) a time varying security signature signal 512 that may be used to uniquely identify each rewritable card in a cashless gaming system.

35 FIG. 6 is a block diagram of the operation of a rewritable card printer in accordance with an exemplary

1

embodiment of the present invention. A rewritable card printer includes a security feature reader 600 for reading a security feature embedded in a rewritable card 114. The type of security feature reader is dependent on the type of security features used with the rewritable card. The security feature reader supplies the appropriate excitation energy and sensor to generate a security signature signal as previously described.

10

The rewritable card printer also includes an erase head 602 for erasing a rewritable card prior to printing on the rewritable card. The erase head raises the temperature of the rewritable thermal film to the erasing temperature and any images previously written to the rewritable card are erased.

15

The rewritable card printer also includes a print head 604 for printing on the rewritable card. The print head raises the temperature of the thermal film on the rewritable card to the writing temperature and indicia are printed onto the rewritable card as a result.

20

The rewritable card printer also includes an optical scanning device 605 for reading the printed indicia on the rewritable card. The operation of such a device is more fully detailed in U.S. Patent Application No. 10/136,897, filed April 30, 2002, the contents of which are hereby incorporated by reference as if stated herein in full.

25

The rewritable card printer also includes a magnetic strip read/write head 607 for reading from, and writing to a magnetic strip 214 (of FIG. 2) on the rewritable card.

30

The rewritable card printer includes a printer controller 606 operably coupled to the security feature reader. The security feature reader generates a security signature signal 608 that is transmitted to the printer controller.

35

The printer controller is also coupled to the erase head. The printer controller generates an erase control signal 612 that is transmitted to the erase head. In

1

response to the erase head signal, the erase head heats the rewritable card until all indicia are erased from the rewritable card.

5

10

The printer controller is also coupled to the print head. The printer controller transmits print head control signals 616 to the print head. In response to the print head control signals, the print head heats a thermal element for each dot that is to be imaged on the rewritable card. The print head typically creates dot images to a granularity of 12 dots per millimeter, each dot image using a separate thermal element to create a dot image.

15

The printer controller is also coupled to the optical scanner 605. As the optical scanner scans the printed indicia on the rewritable card, the optical scanner transmits scanned signals 617 to the printer controller.

20

The printer controller is also coupled to the magnetic strip read/write head 607. The printer controller transmits magnetic strip write signals and receives magnetic strip read signals to and from (619) the magnetic strip read/write head.

25

The printer controller may also be coupled to a static memory read/write connector 622. The printer controller transmits static memory write signals and receives static memory read signals to and from (624) the static memory read/write head.

30

In one embodiment of a rewritable card printer in accordance with the present invention, a game controller 108 is operably coupled to the printer controller. The printer controller receives printer control instructions 614, including card information for writing to the rewritable card, from the game controller. The printer controller may also transmit printer status and card identification signals 610 to the game controller.

35

FIG. 7a is a block diagram of a rewritable card printer in accordance with an exemplary embodiment of the present invention. A rewritable card printer 110 includes a printer

1

controller 606, a print module 702, and one or more card magazines 704.

5 The print module includes a print card drive 706 that moves cards through the print module. The print card drive is reversible such that a card may be fed through the print module in more than one direction by the print card drive. The print card drive includes a card motion sensor 707 for
10 sensing card movement within the print card drive. A more detailed discussion of printer media motion detection within a printer is presented in U.S. Patent Application No. 10/640,495 filed August 12, 2003, the contents of which are hereby incorporated by reference as if stated herein in
15 full. The print drive further includes an embossing detector 709 that may be used to sense when an embossed item, such as a conventional credit card, is inserted into the print module. The embossing detector may be a mechanical device, such as a limit switch, that contacts an
20 inserted card and detects any embossing. If an embossed card is inserted into the rewritable card printer, the rewritable card printer may not attempt to write to the card, only read the card.

The print module further includes a security feature
25 reading device 600 for reading any security features included in the card. The print module further includes a print head 604 for writing indicia to the rewritable card and an erase head 602 for erasing the indicia from the rewritable card. The print module further includes an
30 optical scanning device 605 for scanning the indicia printed onto a rewritable card. The print module further includes a magnetic strip read/write head 607 used to read and write from and to a rewritable card's magnetic strip. The print module is removably and electronically coupled to the
35 printer controller and removably and mechanically coupled to the card magazine.

In operation, the print module receives printer control signals from the printer controller. In response to the

1

printer control signals, the print module scans rewritable cards for the presence and value of any security feature in the rewritable card. As the print module scans the rewritable card, the security feature reading device generates a previously described security signature signal that is transmitted to the printer controller. In addition, the print module thermally prints on the rewritable cards, and thermally erases the rewritable cards, under the control of the printer controller. The print module may also receive a rewritable card from a player and transmit a rewritable card detection signal to the printer controller.

The print module may also include a static memory read/write connector 622 for coupling to a "smart" card having a readable/writable static memory. The printer controller transmits static memory write signals and receives static memory read signals to and from the static memory read/write head.

The one or more independently controlled card magazines store rewritable cards and provide the rewritable cards to the printer module on command from the printer controller. Each card magazine may include one or more magazine card drives 710 for moving cards into and out of the magazine. Each card magazine also includes a card storage area 712 for storage of rewritable cards. In operation, the card magazine receives card magazine control signals from the printer controller. In response to the control signals, the card magazine feeds cards to the printer from the card storage area using the magazine card drive. In response to the card magazine control signals, the card magazine may also receive rewritable cards from the print module and store the rewritable cards in the card storage area. The card magazine may also include one or more card sensors 714 used to detect the number of cards stored in the card storage area. The card sensors sense the quantity of cards stored in the card storage area and transmit card count signals to the printer controller for further processing.

35

1

The card magazine may also include a read/write static memory 715 for semi-permanent storage of card information about cards stored in the card magazine.

5

10

The printer controller includes a processor 716 coupled to a main memory 718 by a system bus 720. The printer controller also includes a storage memory 722 coupled to the processor by the bus. The storage memory stores programming instructions 113, executable by the processor to implement the features of a rewritable card printer. The storage memory also includes printer and card information 724 stored and used by the processor. The printer and card information includes information received by the printer controller about the status of the print module and card magazine and also about the status and identity of any cards stored in the card magazines or being operated on by the print module. The types of status information may include an image of a last printed rewritable card as scanned by the optical scanning device and the current status, such as millimeters of advancement, of a card currently in the print module.

15

20

25

The printer controller also includes an Input/Output (I/O) device 726 coupled to the processor by the system bus. The I/O device is used by the printer controller to transmit control signals to the print module and the card magazine. The I/O device may also be used by the printer controller to receive security feature and status signals from the print module and card magazine.

30

35

One or more communications devices 728 may be coupled to the system bus for use by the printer controller to communicate with a cashless gaming system host 102 or a game controller 108 (both of FIG. 1). The printer controller uses the communication devices to receive commands, program instructions, and card information from the external devices. In addition, the printer controller may use the communication devices to transmit printer status information to the external devices. Other communication devices may also be used by the printer controller to couple in a secure

1

fashion over a local area network 732 for administrative or other purposes.

5 Additional communication devices and channels may be provided for communication with other peripheral devices as needed. For example, one communication device may be provided with a local communications port, accessible from an exterior of a gaming machine hosting the rewritable card
10 printer, that a technician may use to communicate with the printer controller during servicing using an external controller 730. The external controller may communicate with the printer controller using an infrared link, other short-range wireless communication link, or a hard link
15 with an external connector in a secure manner.

The processor may be further coupled to an encryption/decryption module 740 that may be used to encrypt and decrypt messages encoded using the an encryption standard. This enables the printer controller to engage in
20 secure transactions with external devices. The processor may access the display device either as a component through the bus as shown or as an external device through a communications device using a high level communications protocol. In addition, the printer controller may also
25 include program instructions to perform encryption/decryption services as well.

The processor may be further coupled to a display device 742 that may be used to display printer status information or card information. For example, the display
30 may be used to display an "as-scanned" version of the most recently printed and scanned card. The processor may access the display device either as a component through the I/O device or as an external device through a communications device.

35 In operation, the processor loads the programming instructions into the main memory and executes the programming instructions to implement the features of a rewritable card printer as described herein.

1

As illustrated, the printer controller is shown as being electronically coupled to the print module and card magazine without any mechanically coupling. The printer controller may be mounted in a variety of ways and may be incorporated into various components of either the rewritable card printer or the game hosting the rewritable card printer. For example, the printer controller may be attached to and supported by the print module, the card magazine, or the host game as may be required to mechanically integrate the rewritable card printer into the host game.

FIG. 7b is an architecture diagram of a rewritable card printer employing components having integral controllers in accordance with an exemplary embodiment of the present invention. A rewritable card printer 110 may be composed of a printer controller 606 that communicates with components and modules of the rewritable card printer using a communications link 749. The communications link may use either serial or parallel communications protocols to communicate with the components of the rewritable card printer. In this embodiment a print module 750 includes a print module controller 752 coupled to the printer controller. To control the operations of the print module, the printer controller transmits high level commands and status requests to the print module. In response, the print module performs the commands and transmits the requested information.

One or more card magazines 754 may also have integral card magazine controllers that are coupled to the printer controller via the communications link. To control the operations of the card magazine, the printer controller transmits high level commands and status requests to the card magazine. In response, the card magazine performs the commands and transmits the requested information to the printer controller.

The internal architecture of the rewritable card

1

printer may be extended to external devices 758 as well,
each having its own internal controller 760. In this
5 embodiment, the printer controller communicates with the
external device using high level commands. In response, the
external device performs the commands and transmits any
requested information to the printer controller. An example
of an external device having its own internal controller
10 includes an external card magazine or cassette used to load
cards into, or retrieve cards from, the rewritable card
printer.

FIG. 8 is an isometric view of a rewritable card
printer in accordance with an exemplary embodiment of the
15 present invention. As illustrated, the rewritable card
printer 110 includes a print module 702 and one or more card
magazines 704 mechanically coupled on a base 800. The
rewritable card printer includes a front bezel 802 through
which a rewritable card 114 may be fed by the print module's
20 print card drive 706, either into or out of the rewritable
card printer as previously described. The card magazine is
positioned on the base such that the card magazine's
magazine card drive 710 may feed rewritable cards to and
receive rewritable cards from the print module as previously
25 described. The print module and the magazine drive are
separately mounted to the base and each may separately
serviced in the field without affecting the operation of the
other. In addition, each component may be removed from the
rewritable card printer and replaced without removing the
30 power to the rewritable card printer.

As the print module and card magazine are separately
mounted and controllable, the orientation of the print
module and card magazine may be altered as needed to suit
the mechanical requirements of a host game. For example the
35 distance between the print module and the card magazine may
be altered in order to accommodate a shorter printer bay
included in a host game.

In one card magazine in accordance with an exemplary

1

embodiment of the present invention, the cards are stored in the card magazine at an angle, up to 90 degrees, relative to the orientation to a card as it is fed into or out of a print module. This allows the card magazine to accommodate a larger number of cards in a given space, thus enhancing the card magazine's storage capabilities. In operation, the magazine card drive receives the card from the print module or another card magazine and tilts the card as it is added to the card storage area. When a card is retrieved from the card magazine, the magazine card drive reorients the card into a proper position for presentation to the print module.

10

FIG. 9 is an isometric view of a rewritable card printer with the card magazine opened in accordance with an exemplary embodiment of the present invention. As illustrated, the rewritable card printer 110 includes a print module 702 and one or more card magazines 704 mechanically coupled on a base 800. The rewritable card printer includes a front bezel 802 through which a rewritable card 114 may be fed by the print module's print card drive 706, either into or out of the rewritable card printer, as previously described. The card magazine is positioned on the base such that the card magazine's magazine card drive 710 may feed rewritable cards to and receive rewritable cards from the print module as previously described. The magazine card drive is removably coupled to the card storage area 712 by a hinge 900 such that the magazine may be opened to allow access to the card storage area.

15

20

25

30

A cleaning device 902 (shown through a cutaway in the front bezel 802) is attached to the print module such that incoming rewritable cards are cleaned before they enter the print module. The cleaning device may include flexible solid or bristled wiper elements that contact the card as it is taken into the print module. The wiper elements may be conductive so as to remove static surface charges from the card as it moves in the card printer. The wiper elements

35

1

may also be charged so as to electrically attract and collect particles of dust and dirt from the card. As the print module's print card drive is reversible, the incoming card may be passed repeatedly, back and forth, through the cleaning element as needed.

In other print modules in accordance with other exemplary embodiments of the present invention, the cleaning device may be located within the print module, within the card magazine, or between the print module and a card magazine. In other rewritable card printers in accordance with exemplary embodiments of the present invention, the cleaning device is a separate device and not integrated with either a print module or a card magazine. Instead, the cleaning device is a separate motorized device similar to a card magazine and is electronically coupled to a printer controller.

FIG. 10 is a top plan view of a rewritable card printer in accordance with an exemplary embodiment of the present invention. The rewritable card printer 110 includes a print module 702 and one or more card magazines 704a, 704b, and 704c that are mechanically coupled on a base 800. The rewritable card printer includes a front bezel 802 through which a rewritable card 114 may be fed by the print module's print card drive 706, either into or out of the rewritable card printer, as previously described. The plan view also illustrates a possible relative position of a security feature reading device 600, a print head 604, and an erase head 602 within the print module. Card magazine 704a is positioned on the base such that the card magazine's magazine card drive 710a may feed rewritable cards to and receive rewritable cards from the print module as previously described.

In the top view, additional positions for card magazines are illustrated. These additional card magazine positions may be used to mount one or more card magazines in various relationships to the print module as may be dictated

1

by an existing printer bay in a host game. In one possible configuration, a card magazine 704a is located to the side of the print module. In another configuration, two card magazines, 704b and 704c, are mounted such that the card magazines may feed and receive rewritable cards to and from each other as companions. As illustrated, card magazine 704b is the primary card magazine and may feed cards into and receive cards from the print module. Card magazine 704c is a secondary card magazine that may feed cards to and receive cards from the primary card magazine.

Card magazines configured so as to allow movement of cards between the card magazines are herein termed "companion" magazines. Companion card magazines may be used to move rewritable cards around such that individual rewritable cards may be identified and retrieved from storage. This is because a card magazine with a single magazine card drive may be used as a Last In First Out (LIFO) rewritable card "memory" where the last rewritable card placed into the card magazine will be the first rewritable card retrieved from the card magazine when a rewritable card is requested. Through the use of multiple magazine drives serving a single rewritable card storage location, different styles of rewritable card memories may be implemented such as a First In First Out (FIFO) memory.

Companion card magazines may also be used to store different kinds of rewritable cards for use by the rewritable card printer. For example, the rewritable cards may have different permanent graphics imprinted on them indicating different user affiliations such as affiliations to different loyalty reward programs. In this way, a user may "upgrade" their affiliations by inserting a first style of rewritable card into the rewritable card printer and exchange it for a second style of rewritable card.

FIG. 11a is side elevation view of a rewritable card printer in accordance with an exemplary embodiment of the present invention. The rewritable card printer 110 includes

1

a print module 702 and one or more card magazines 704d and 704e mechanically coupled to a base 800. The rewritable card printer includes a front bezel 802 through which a rewritable card may be fed by the print module's print card drive 706, either into or out of the rewritable card printer as previously described. Card magazine 704d is positioned on the base such that the card magazine's magazine card drive 710d may feed rewritable cards to and receive rewritable cards from the print module as previously described.

In the side view, an additional position for a card magazine is shown as card magazine 704e located beneath card magazine 704d. This position may be used to mount a card magazine as either a previously described primary or secondary card magazine. In addition, card magazine 704e may be replaced by a larger card storage area for card magazine 704d that extends through the base.

FIG. 11b is side elevation view of a rewritable card charging and retrieval process in accordance with an exemplary embodiment of the present invention. The rewritable card printer 110 includes a print module 702 and a card magazine 704 mechanically coupled to a base 800. The rewritable card printer includes a front bezel 802 through which a rewritable card may be fed by the print module's print card drive 706, either into or out of the rewritable card printer as previously described. Card magazine 704 is positioned on the base such that the card magazine's magazine card drive 710 may feed rewritable cards to and receive rewritable cards from the print module as previously described.

A technician may use an external controller 730 electronically coupled to the rewritable card printer and to an external card magazine 1112 removable and mechanically coupled to the rewritable card printer to load rewritable cards into and retrieve cards, such as escrowed cards, from the rewritable card printer. This may be done without

1

opening a cabinet in a game hosting the rewritable card printer. To load cards into the rewritable card printer, the technician couples the external controller and external card magazine to the rewritable card printer. The technician then uses the external controller to send a card load signal to the rewritable card printer and the external card magazine. In response to the card load signal, the external card magazine dispenses cards into the rewritable card printer print module. In response to the card load signal, the print module accepts the dispensed cards and forwards them to an appropriate internal card magazine in the rewritable card printer.

To retrieve cards from the rewritable card printer, the technician couples the external controller and external card magazine to the rewritable card printer. In response to the card retrieval signal, the rewritable card printer retrieves cards from the rewritable card printer's one or more internal card magazines and dispenses the cards using the printer module. In response to the card retrieval signal, the external card magazine receives the dispensed cards from the rewritable card printer and stores them.

Optionally, the external print controller may store the number of rewritable cards loaded into the rewritable card printer, an identification of each of the rewritable cards loaded into the rewritable card printer, and an identifier of the rewritable card printer.

To keep track of the rewritable cards held by the rewritable card printer, the rewritable card printer may receive from the external controller a rewritable card identifier for each card dispensed by the external card magazine. The rewritable card printer may also scan each rewritable card for its identifier as each rewritable card is dispensed into the rewritable card printer.

In one rewritable card printer in accordance with an exemplary embodiment of the present invention, the rewritable card printer's printer controller contains all of

1

the program instructions necessary to perform card loading and retrieval operations. In this embodiment, the external card magazine couples electronically with the rewritable card printer's printer controller and the rewritable card printer's printer controller commands the external card magazine to dispense and receive cards. The external controller may also communicate directly to the host game 106 or the system host 102.

An external controller may be implemented in a variety of different external devices. For example, the external controller may be a purpose-built controller. Other external controllers may be implemented in a programmable device such a Personal Digital Assistant (PDA) or a portable or "laptop" computer.

FIG. 11c is a side elevation view of a rewritable card printer with a card magazine having two independent magazine card drives in accordance with an exemplary embodiment of the present invention. The rewritable card printer 110 includes a print module 702 and a card magazine 1100 mechanically coupled to a base 800. The rewritable card printer includes a front bezel 802 through which a rewritable card may be fed by the print module's print card drive 706, either into or out of the rewritable card printer as previously described.

Card magazine 1100 includes a first magazine card drive 1102 and a second magazine card drive 1104. The card is positioned on the base such that the card magazine's magazine card drives may feed rewritable cards, 114a and 114b, to and receive rewritable cards from the print module using the same card storage area 1106. The first magazine card drive receives and dispenses cards from a first end 1108 of the card storage location. The second card magazine drive receives and dispenses cards from a second end 1110 of the card storage location. In this way, the card magazine may be used as a LIFO card storage device or a FIFO card storage device depending on whether two drives or one drive

1

are employed. In addition, the magazine card drives may be used to store cards in the card storage location at an angle, such as at a 90 degree angle, relative to the orientation of the card while the card is being operated on by the printer module.

5
10
15
FIG. 11d is a side elevation view of a card magazine having a plurality of card storage locations serviced by a single card magazine drive. A card magazine 1112 may have a plurality of card storage locations, such as card storage locations 1114 and 1116. A single magazine card drive 1118 may service both card storage locations. In this way, a single card magazine may be used to shuffle cards to locate specific cards or rotate cards in storage to even out erase and write cycles performed on the cards.

20
25
FIG. 11e is side elevation view of a rewritable card printer slidably coupled to a gaming machine in accordance with an exemplary embodiment of the present invention. The rewritable card printer 110 includes a print module 702 and a card magazine 704 mechanically coupled to a printer base 1150. The rewritable card printer includes a front bezel 802 through which a rewritable card may be fed by the print module's print card drive 706, either into or out of the rewritable card printer as previously described. Card magazine 704 is positioned on the base such that the card magazine's magazine card drive 710 may feed rewritable cards 114 to and receive rewritable cards from the print module as previously described.

30
35
The printer base is further slidably coupled to a base plate 1152 that is fixedly coupled to a portion 1154 of a gaming machine hosting the printer. The rewritable card printer may be accessed while still in the gaming machine by sliding the rewritable card printer out of the gaming machine. The card magazine may be mechanically coupled to the printer base by a quick disconnect 1156 so that the card magazine may be easily removed. To facilitate easy removal, the card magazine may be coupled to the printer controller

1

606 (of FIG. 7a) by a quick disconnect electrical connector 1157 that allows the card magazine to be installed, removed, or exchanged without removing the power to the gaming machine or rewritable card printer.

The print module may be mechanically coupled to the printer base by a quick disconnect 1158 so that the print module may be easily removed. To further facilitate easy removal, the print magazine may be coupled to the printer controller 606 (of FIG. 7a) by a quick disconnect electrical connector 1160 that allows the print module to be installed, removed, or exchanged without removing the power to the gaming machine or rewritable card printer.

In one embodiment of a card magazine, the card magazine is slidably coupled to the printer base separately from the print module. In this embodiment, the card magazine may be accessed by sliding the card magazine past the print module so that the card magazine may be separately serviced.

FIG. 12 is a process flow diagram of a rewritable card printing process in accordance with an exemplary embodiment of the present invention. During a printing process 1200, a rewritable card printer receives (1202) rewritable card information such as cash-out value or images to print onto the rewritable card. The rewritable card printer reads (1204) any security feature embedded in the rewritable card, storing the resultant security signature signal in temporary memory. The rewritable card printer generates (1206) indicia to print onto the rewritable card using the rewritable card values or images. Additionally, the rewritable card printer may incorporate all or a portion of security signature signal into the printed indicia as either a clearly readable value or an encoded value. The rewritable card printer then optionally erases (1208) the rewritable card and then prints the indicia onto the rewritable card prior to dispensing the rewritable card. The rewritable card printer may then transmit (1210) the security signature signal, either as an encoded value or as

1

a clearly readable value, to a game host or cashless enabled system host.

5 FIG. 13 is a process flow diagram of a card escrowing process used by a rewritable card printer in accordance with an exemplary embodiment of the present invention. In a card escrowing process 1300, a rewritable card printer determines if a card should be removed from service. A card may be removed from service for a variety of reasons. Rewritable cards have a finite number of erase and write cycles and so must be removed from service as they age. A card may become damaged so that it is no longer operable within rewritable card printer or the rewritable card's security feature is no longer readable. Cards may also have physical features such as embossing that may require the card to be handled in a special manner. As the rewritable card printer includes an optical scanner and can verify if a card was printed properly immediately after printing the card, the rewritable card printer may determine that a card was printed in error and may escrow the card. In addition, the rewritable card printer may receive an identifier for a rewritable card to be removed from service. In which case, the security feature in the rewritable card may be readable but correspond to a card to be removed from service. Another reason a card may be escrowed is that the user is exchanging one kind of rewritable card for another kind of rewritable card.

20
25
30
35 Cards may be removed from service by moving the card into an escrow location within the rewritable card printer by either a magazine card drive or by a print card drive. In the escrow process, the rewritable card determines (1302) if a card should be removed from service. If the rewritable card printer determines that the card should remain in service (1304), the rewritable card continues processing (1306) the rewritable card. Otherwise, the rewritable card printer moves (1306) the rewritable card to an escrow location 1307 within the rewritable card printer and obtains

1

(1308) a replacement card from a card magazine 1310 and continues processing (1312) the newly obtained rewritable card.

5

10

FIG. 14 is a card retrieval process used by a rewritable card printer having companion magazines in accordance with an exemplary embodiment of the present invention. As noted previously, a card magazine having a single magazine card drive may be considered as being similar to a LIFO memory device. As previously noted, a rewritable printer controller may store information about cards stored in the card magazines. This information may include where in a card magazine a particular rewritable card is stored. In this case, a specific card stored in the card magazines may be retrieved using the following process.

15

20

In a card retrieval process 1400, a rewritable card printer receives a request for a specific rewritable card from an external host or a game controller. The rewritable card printer receives (1402) the request and determines (1404) where in the storage areas of the card magazines that the specific card is located using previously stored card information 704. For the number of cards on top of the request card, the rewritable card moves (as indicated by loop structure 1406, to 1410) all of the cards on top of the requested card into a companion card magazine's storage area 1409. The rewritable card printer then dispenses (1412) the located card. Optionally, the rewritable card printer may replace all of the moved cards from the companion card magazine (as indicated by loop structure 1414, 1416, and 1418).

25

30

35

FIG. 15 is a process flow diagram of a card location process used by a rewritable card printer having multiple card magazines in accordance with an exemplary embodiment of the present invention. This card location process, 1500, may be used when the rewritable card printer does not keep an accounting of each writeable card stored in the rewritable card printer's memory. The rewritable card

1

printer receives (1502) an identifier for a card to be located. For each rewritable card stored by the rewritable card printer in a card magazine (as indicated by the loop structure 1504 to 1514), the rewritable card printer moves (1506) a rewritable card from a card magazine 1507 into a read portion of the print module 702 (of FIG. 7) and reads (1508) an identifier, such as a previously described security feature, from the rewritable card. The rewritable card printer then compares (1510) the read identifier to the received identifier. If the comparison indicates that the requested rewritable card is located, the rewritable card printer dispenses (1516) the located card. If the comparison indicates that the retrieved rewritable card is not the requested rewritable card, the rewritable card printer moves the card into a companion card magazine's storage location 1409 and continues processing rewritable card until either the requested card is located or the last of the stored rewritable cards is retrieved.

Optionally, the rewritable card printer may put all of the moved rewritable cards back into their original locations within a card magazine. For each of the moved cards (as indicated by the loop structure 1518 to 1522) the rewritable card printer retrieves (1520) a moved card out of the companion storage location and places it back into the card magazine 1507.

FIG. 16 is a process flow diagram of a card replacement process in accordance with an exemplary embodiment of the present invention. A rewritable card printer may include two or more card magazines as previously discussed. This feature allows a gaming machine to be used for more sophisticated transactions than merely accepting wagers, playing games, and printing cash-out cards. Using multiple card magazines allows a gaming machine to also function as a customer service kiosk for several types of operations wherein a player may exchange one type of rewritable card for another during a transaction. An example of such a

1

transaction is when a player wants to join a loyalty program.

5 In a card replacement process 1600, a rewritable card printer receives (1602) a card from a user for imprinting. The rewritable card printer moves (1604) the received card into a first card magazine 1606 for storage and possible reuse. The rewritable card printer then retrieves (1608) a
10 replacement card from a second card magazine 1610. The rewritable card printer continues processing (1612) the replacement card such as by printing on the card as previously described. The rewritable card printer dispenses (1614) the imprinted replacement card to the user whereby
15 the user's original card has been replaced with another type of card.

Although this invention has been described in certain specific embodiments, many additional modifications and variations would be apparent to those skilled in the art.
20 It is therefore to be understood that this invention may be practiced otherwise than as specifically described. Thus, the present embodiments of the invention should be considered in all respects as illustrative and not restrictive, the scope of the invention to be determined by
25 any claims supported by this application and the claims' equivalents rather than the foregoing description.

FIG. 17 is a process flow diagram of a programming process using a rewritable card in accordance with an exemplary embodiment of the present invention. A rewritable
30 card printer may use a rewritable card to load programming instructions into memory. The rewritable card may include programming instructions in a magnetic strip readable by the rewritable card's magnetic strip read/write head, or programming instructions may be included in the printed
35 indicia on the card and read by an optical scanning device.

In a programming process 1700, a rewritable card printer receives (1702) a card and determines (1704) if the card includes programming instructions. A rewritable card

1

printer may make the determination by either scanning the card and parsing the information found on the card or may be signaled by an external device that the inserted card includes programming instructions. If the card does have programming instructions, the rewritable card printer reads (1706) the programming instructions and stores the programming instructions 113 in the rewritable card printer's memory 722. After reading the card, the rewritable card printer dispenses the card 724. In addition to reading rewritable cards to obtain additional programming instructions, the rewritable card printer may receive programming instructions from an external device, such as external controller 730 (of FIG. 7a).

15

FIG. 18 is a process flow diagram of a card information storage process in accordance with an exemplary embodiment of the present invention. A rewritable card printer receives (1802) a card 1804 for storage into a card magazine. The rewritable card printer reads (1806) card information from the card. The card information may include the number of erase/write cycles that the card has gone through and the unique signature of the card. The rewritable card printer stores (1808) the card information in static memory 1810. The static memory may be on the card itself, in a card magazine, or in a static memory location in the printer controller. Once the card information has been stored, the writable card printer erases (1812) the card and stores (1814) the erased card in a card magazine 1816.

20

25

30

FIG. 19 is a process flow diagram of a card information retrieval process in accordance with an exemplary embodiment of the present invention. A card retrieval process 1900 is used by a rewritable card printer to initiate writing on to an erased card. The card's information, including information about how many read/write cycles the card has gone through, is stored in static memory 1810 as previously described. This enables a rewritable card printer to safely

35

1

store rewritable cards in an erased mode and still track
card usage in order to determine when a card should be
5 removed from service.

5

10

The rewritable card printer retrieves (1902) a card
from a card magazine 1816. The rewritable card printer
reads (1904) the cards signature and uses (1906) the card's
signature to retrieve card information from the static
memory. The rewritable card printer then continues (1908)
processing the rewritable card using the retrieved card
information. This may include incrementing the number of
erase/write cycles that the card has gone through onto the
card before dispensing the card. This processing may also
15 include removing the card from service.

15

20

FIG. 20 is a stored card status printing process in
accordance with an exemplary embodiment of the present
invention. A rewritable card printer uses a stored card
status printing process 2000 to report on a rewritable card
the status of the rewritable card printer, game host, and
rewritable cards stored by the rewritable card printer. The
rewritable card printer receives 2002 a request for printing
a status card. The in response to the request, the
rewritable card printer retrieves (2004) a card from the
25 card magazine 1816. The rewritable card printer retrieves
(2006) card information stored in static memory 1810 about
the cards stored by the rewritable card printer. The
rewritable card printer then uses the card information to
generate printable indicia for printing (2008) on the card
and prints the indicia on the card before dispensing it.

25

30

35

FIG. 21 is a side elevation view of a retractable
magnetic head mounted into a print module in accordance with
an exemplary embodiment of the present invention. A print
module 702 (of FIG. 7a) may include retractable head, such
as retractable magnetic head 2101. The retractable head can
be a read only head, a write only head, an erase head, or a
read/write head. To perform any of these operations, the
retractable magnetic head is placed in direct contact with a

1

rewritable card 114 inserted into the print module. Direct
contact between the magnetic head and the rewritable card
causes wear on the magnetic head regardless of whether or
not the rewritable card includes a magnetic strip. In the
case where the rewritable card does not use a magnetic
strip, the incremental wear on the magnetic head does not
result in a useful operation. Therefore, the number of
useful operations performed by the magnetic head is reduced
in an environment where rewritable cards with and without
magnetic strips are used. By retracting the magnetic head
when the magnetic head is not being use, wear on the
magnetic head is reduced.

The retractable magnetic head is mechanically coupled
to a head base 2102. The head base is slidably coupled to a
first base support 2103 and a second base support 2104. The
base supports extend from a base plate 2105. When the
rewritable card is inserted into the print module, the
rewritable card is positioned within the print module via a
first card positioning wheel 2106 and a second card
positioning wheel 2107. A motorized head positioning system
2110, electrically coupled to printer controller 606 (of
FIG. 6), uses a cam mechanism 2111 to move the magnetic head
into and out of direct contact with the rewritable card. In
a first position, the cam is rotated to retract the magnetic
head away from the rewritable card such that the magnetic
head is not in contact with the rewritable card. In a
second position, the magnetic head is extended such that the
magnetic head contacts the rewritable card, thus allowing
the retractable magnetic head to complete a read or write
operation using the rewritable card.

The mechanism for extending and retracting the magnetic
head may take other forms. For example, the mechanism may
incorporate a solenoid and spring or the like to extend and
retract the magnetic head. In addition, other types of
contacting and non-contacting heads may be mounted in a
retractable manner as described above. For example, an

35

1

embossed card may interfere with a non-contacting head incorporating an optical sensor. In this case, it would be advantageous to mount the optical head in a retractable manner to avoid contacting an embossed card.

FIG. 22 is a process flow diagram of a rewritable card read or write process using a retractable head in conjunction with one or more additional heads in accordance with an exemplary embodiment of the present invention. A rewritable card read or write process 2200 is used by printer controller 606 (of FIG. 1) to determine if a retractable head 2101 (of FIG. 21) should be used to read from, or write to, a rewritable card. When a rewritable card 114 (of FIG. 21) is inserted into print module 702 (of FIG. 7a) the printer controller uses card motion sensor 707 (of FIG. 7a) to detect (2202) the rewritable card. A read operation is attempted (2204) using any available read heads. If the printer controller determines (2205) that the read operation was successful, the printer controller does not need to extend the retractable head to perform an operation on the rewritable card and the process ends (2206). However, if the printer controller determines that the read operation is unsuccessful, the retractable head is extended (2208) so that the retractable head is in position to perform the required operation, and the read operation is attempted (2204) again using the extended retractable head.

Although this invention has been described in certain specific embodiments, many additional modifications and variations would be apparent to those skilled in the art. It is therefore to be understood that this invention may be practiced otherwise than as specifically described. Thus, the present embodiments of the invention should be considered in all respects as illustrative and not restrictive, the scope of the invention to be determined by any claims supported by this application and the claims' equivalents rather than the foregoing description.

35

1

WHAT IS CLAIMED IS:

1. A rewritable card printer, comprising:

5 a print module including a print card drive and a print head, the print module mechanically coupled to a base;

10 a card magazine including a card storage location and a magazine card drive, the card magazine coupled to the base whereby the magazine card drive and the print card drive are in communication;

a printer controller electronically coupled to the print module and the card magazine, the printer controller including:

15 a processor; and

20 a memory coupled to the processor, the memory having program instructions stored therein, the program instructions for operation by the printer controller of the print module and the card magazine.

2. The rewritable card printer of claim 1, wherein the program instructions further include:

25 receiving card information for printing onto a card;

generating printable indicia using the card information;

30 printing onto a rewritable card the printable indicia using the print head.

3. The rewritable card printer of claim 2, wherein the print module further includes an erase head, the program instructions further including erasing the rewritable card using the erase head.

35

4. The rewritable card printer of claim 2, wherein the print module further includes a security feature reader, the program instructions further including reading a security

1

signature from the rewritable card using the security feature reader.

5

5. The rewritable card printer of claim 4, wherein the program instructions further include transmitting the security signature to an external device.

10

6. The rewritable card printer of claim 4, wherein the program instructions for generating the printable indicia further include using the security signature.

15

7. The rewritable card printer of claim 1, wherein in the printer controller further includes a static memory for storage of card information.

20

8. The rewritable card printer of claim 1, wherein the program instructions further include:

receiving a card load signal from an external controller;

receiving a card by the print module from an external card magazine; and

moving the card by the print module into the card magazine.

25

9. The rewritable card printer of claim 1, wherein the program instructions further include:

receiving a card dispensing signal from an external controller; and

dispensing a card from the rewritable card printer into an external magazine.

30

35

10. The rewritable card printer of claim 1, wherein the program instructions further include:

receiving a card having second program instructions;

reading the second program instructions from the

1

card; and
storing the second program instruction into the
5 memory.

10

11. The rewritable card printer of claim 10, wherein the second program instructions are included in indicia printed onto the card.

15

12. The rewritable card printer of claim 10, wherein the second program instructions are included in a magnetic strip.

20

13. The rewritable card printer of claim 1, further comprising encryption/decryption means coupled to the printer controller.

25

14. The rewritable card printer of claim 1, further comprising a display device coupled to the printer controller.

30

15. The rewritable card printer of claim 1, further comprising a card cleaning device coupled to the input module.

35

16. The rewritable card printer of claim 1, wherein the input module further includes a magnetic strip read/write head.

40

17. The rewritable card printer of claim 1, wherein the input module further includes an optical scanning device.

45

18. The rewritable card printer of claim 1, wherein the input module further includes means for coupling to a static memory in a rewritable card.

19. The rewritable card printer of claim 1, wherein the

1

program instructions further include:

5

receiving a card for storage;
reading card information from the card;
erasing the card;
storing the card information in a static memory;
and
storing the card in the card magazine.

10

20. The rewritable card printer of claim 19, wherein the card magazine further includes the static memory for storage of the card information.

15

21. The rewritable card printer of claim 1, wherein the program instructions further include:

20

receiving second program instructions by the printer controller from an external device; and
storing the second program instructions in the memory.

25

22. The rewritable card printer of claim 1, wherein the base is slidably coupled to a base plate fixedly coupled to a gaming machine.

23. The rewritable card printer of claim 1, wherein the card magazine is slidably coupled to the base.

30

24. The rewritable card printer of claim 1, wherein:
the print module is removably coupled to the base by mechanical quick disconnect means; and
the print module is removably coupled to the printer controller by electrical quick disconnect means.

35

25. The rewritable card printer of claim 1, wherein:
the card magazine is removably coupled to the base by mechanical quick disconnect means; and

1

5

the card magazine is removably coupled to the printer controller by electrical quick disconnect means.

10

15

26. The rewritable card printer of claim 1, further comprising a second card magazine including a card storage location and a magazine card drive, the second card magazine coupled to the base whereby the second card magazine's magazine card drive is in communication with the first of the card magazine's magazine card drive, the second card magazine electronically coupled to the printer controller, the program instructions further including program instructions for operation by the printer controller of the second card magazine.

20

25

27. The rewritable card printer of claim 26, wherein the program instructions further include:

receiving a request for a card located in the first card magazine;

determining the location of the requested card located in the first card magazine;

moving cards from the first card magazine to the second card magazine until the location of the requested card is reached.

30

35

28. The rewritable card printer of claim 26, wherein the program instructions further include:

receiving a request for a card identified by the requested card's security signature;

retrieving a card from the first card magazine into the print module;

reading a security signature from the retrieved card;

moving the retrieved card from the print module to the second card magazine if the retrieved card's security signature does not match the requested card's

1

security signature; and

5

dispensing the retrieved card from the rewritable card printer if the retrieved card's security signature matches the requested card's security signature.

10

29. The rewritable card printer of claim 1, further comprising a second card magazine including a card storage location and a magazine card drive, the second card magazine coupled to the base whereby the second card magazine's magazine card drive is in communication with the print module's print card drive, the second card magazine electronically coupled to the printer controller, the program instructions further including program instructions for operation by the printer controller of the second card magazine.

15

20

30. The rewritable card printer of claim 29, wherein the program instructions further include:

receiving by the print module a card for imprinting;

moving the received card from the print module into the first of the card magazines;

25

retrieving a replacement card from the second card magazine into the print module;

receiving card information for printing onto the replacement card;

30

generating printable indicia using the card information;

printing onto the replacement card the printable indicia by the print module; and

35

dispensing the replacement card from the rewritable card printer whereby the received card is exchanged for the replacement card.

31. The rewritable card printer of claim 29, wherein the program instructions further include:

1

determining if a card inserted into the print module should be removed from service;

5

if the inserted card should be removed from service, performing the following steps:

move the inserted card from the print module to the first of the card magazines; and

10

retrieving a card from the second card magazine;

whereby the inserted card is placed into escrow for later retrieval.

15

32. The rewritable card printer of claim 31, wherein the print module further includes a security feature scanning device and the program instructions for determining if a card inserted into the print module should be removed from service further include:

20

attempting to read a security signature from the inserted card; and

determining that the inserted card should be removed from service if the security signature cannot be read.

25

33. The rewritable card printer of claim 31, wherein the print module further includes an optical scanning device and the program instructions for determining if a card inserted into the print module should be removed from service further include:

30

printing indicia on the inserted card;
generating scanned indicia by scanning the inserted card using the optical scanning device ; and
determining that the inserted card should be removed from service if the scanned indicia does not correspond to the printed indicia.

35

34. The rewritable card printer of claim 1, wherein the print module further includes an embossing detector.

1

35. A rewritable card printer, comprising:

5

a print module comprising:

a retractable head selected from the group consisting of a magnetic head, an optical head, a thermal head, a capacitive head, a static memory head, and a radio frequency head; and

10

a second head selected from the group consisting of an optical head, a thermal head, a capacitive head, a static memory head, and a radio frequency head.

15

36. The rewritable card printer of claim 35 wherein the retractable head is a read/write head.

37. The rewritable card printer of claim 35 wherein the retractable head is a read head.

20

38. The rewritable card printer of claim 35 wherein the retractable head is a write head.

25

39. The rewritable card printer of claim 35 wherein the retractable head is an erase head.

40. The rewritable card printer of claim 35 wherein the second head is a read/write head.

30

41. The rewritable card printer of claim 35 wherein the second head is a read head.

42. The rewritable card printer of claim 35 wherein the second head is a write head.

35

43. The rewritable card printer of claim 35 wherein the second head is an erase head.

1

44. The rewritable card printer of claim 35, further comprising:

5

a card sensor;

a controller coupled to the retractable head and the card sensor, the controller configured to retract the retractable head when the card sensor detects a card in the print module.

10

45. The rewritable card printer of claim 44, wherein the card sensor is an embossing sensor.

15

46. The rewritable card printer of claim 44, wherein the card sensor is a card motion sensor.

20

47. The rewritable card printer of claim 35, further comprising a controller coupled to the retractable head and the second head, the controller configured to extend the retractable head if a rewritable card inserted into the print module cannot be read using the second head.

25

30

35

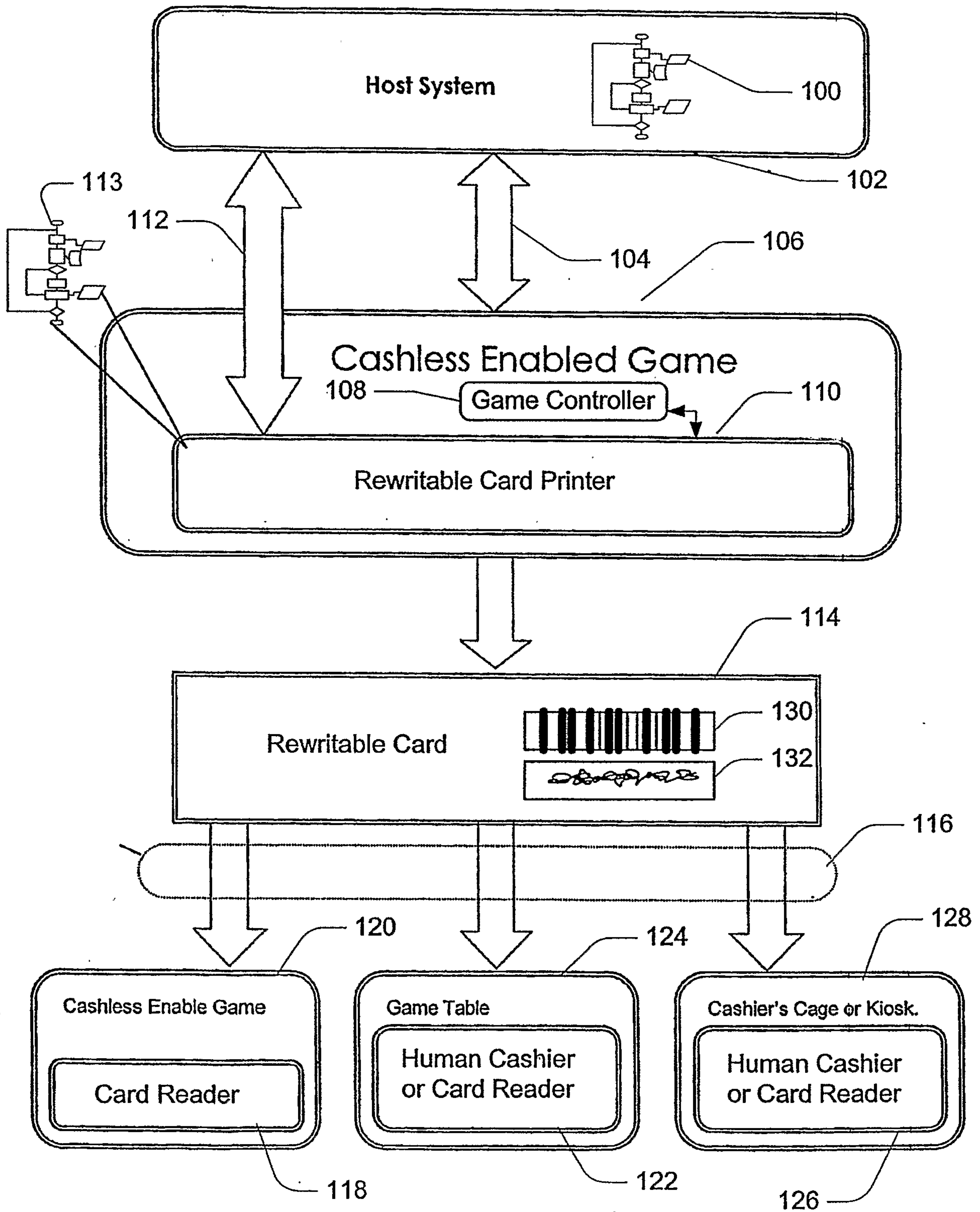


FIG. 1



FIG. 2a

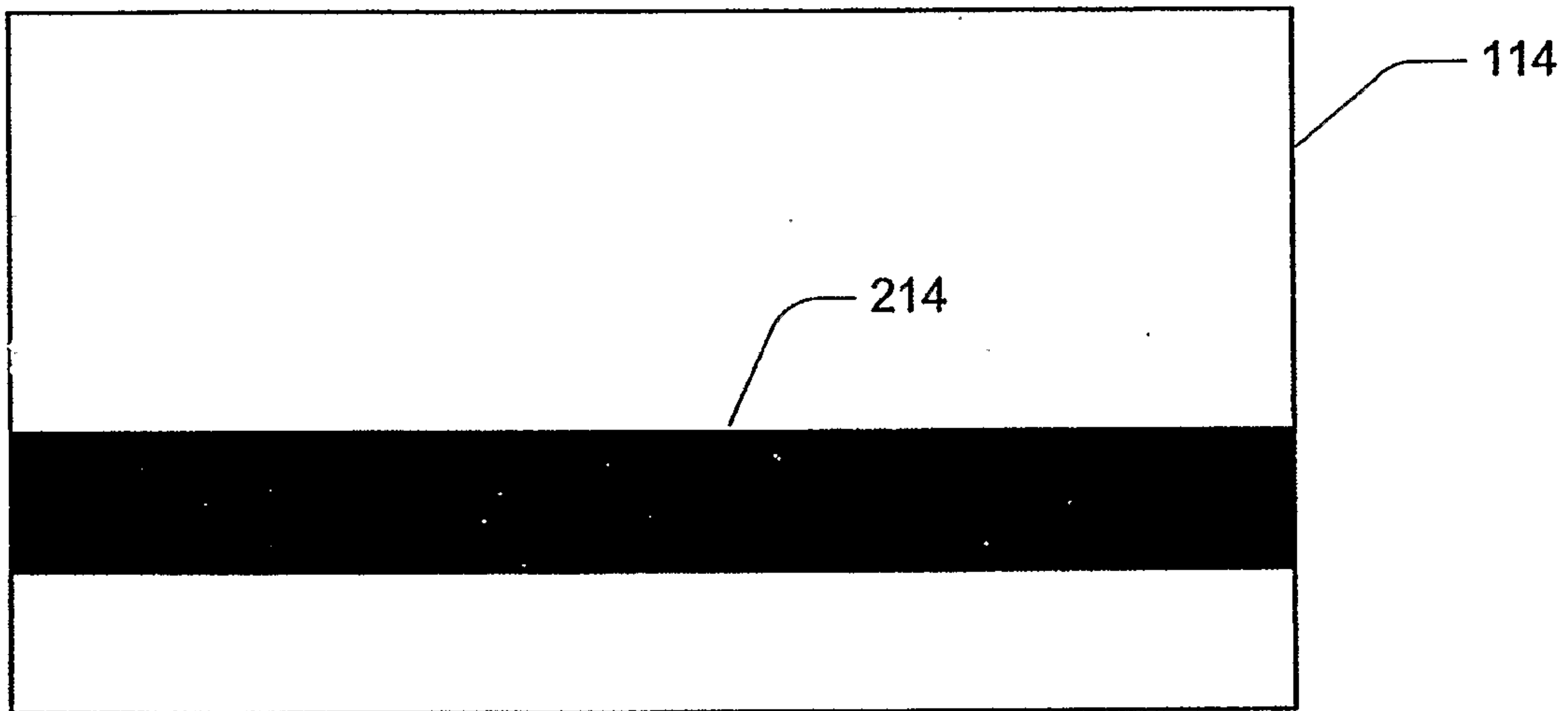


FIG. 2b

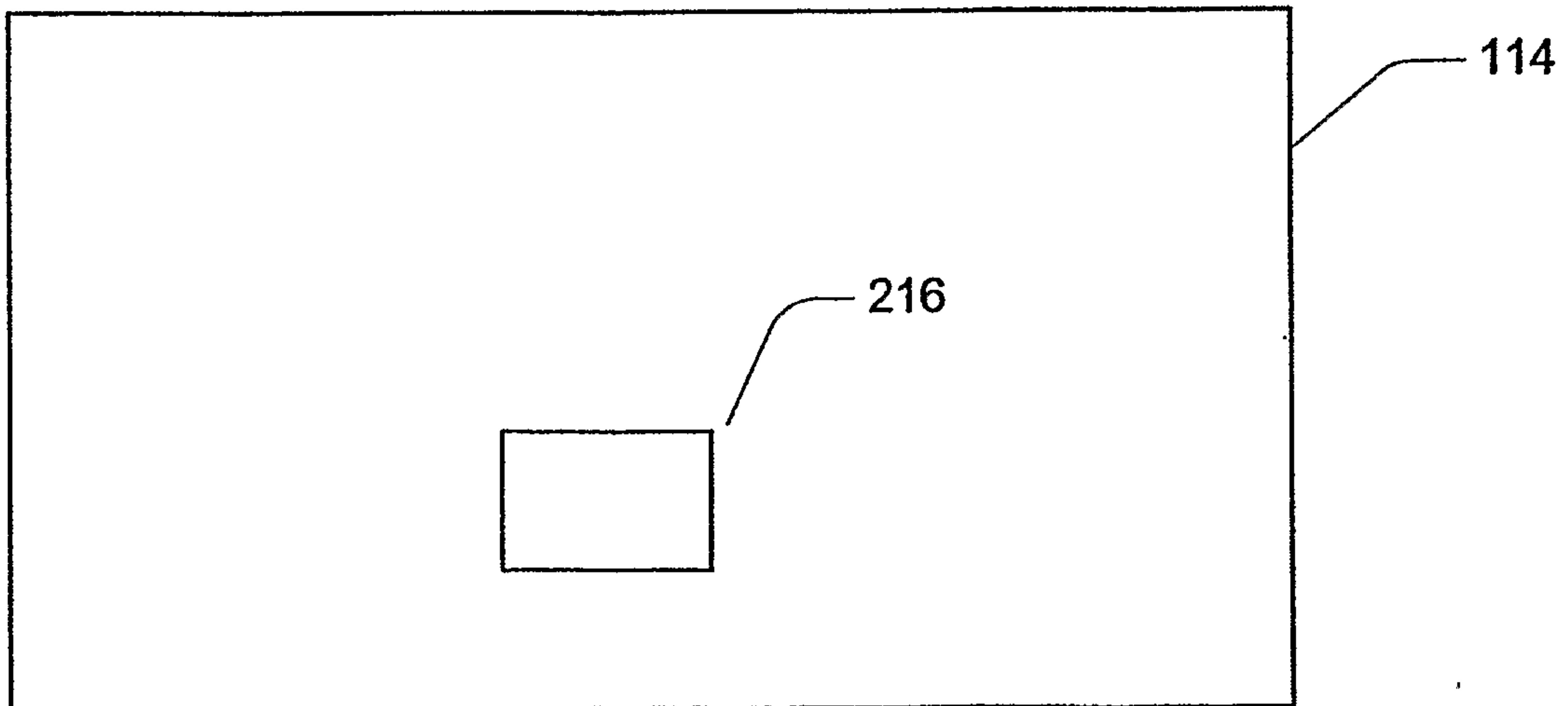


FIG. 2c

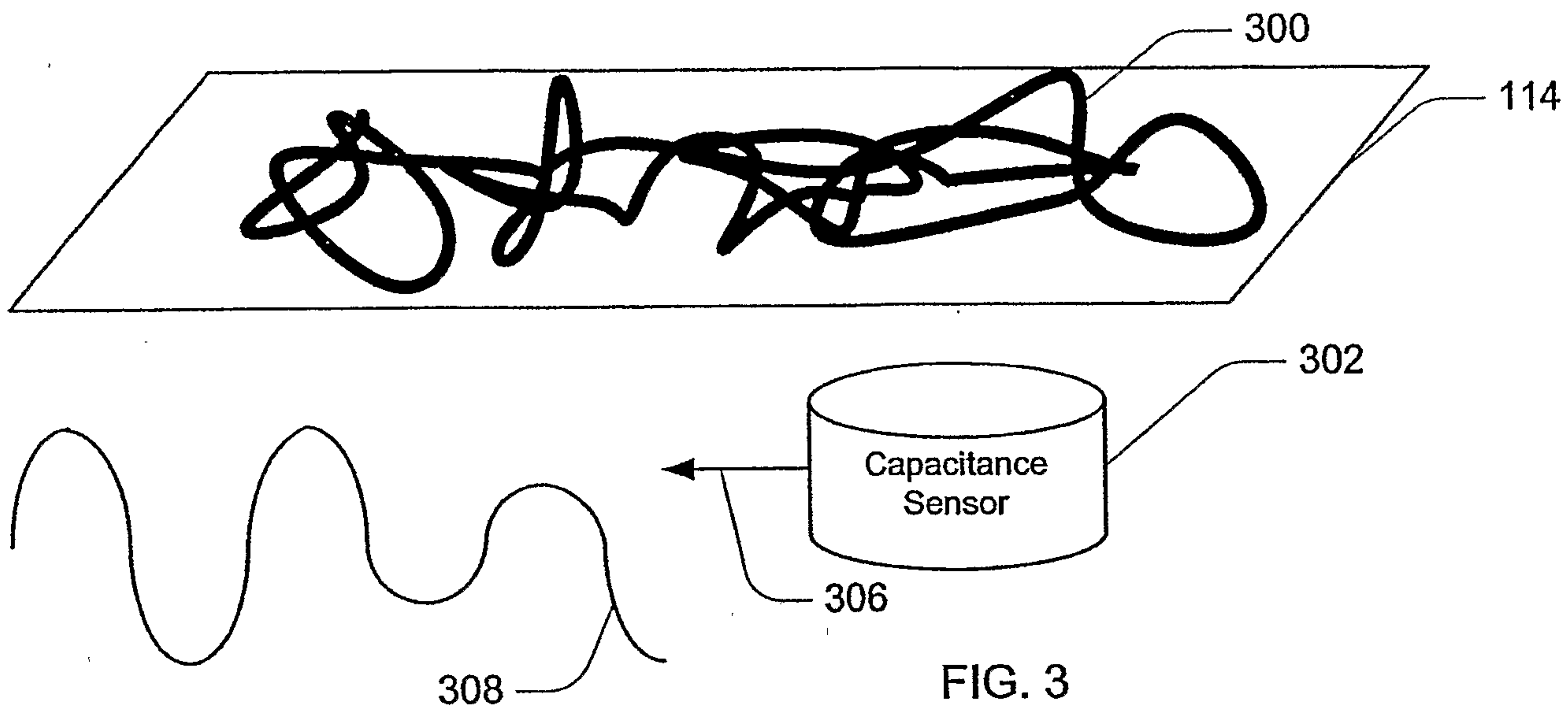


FIG. 3

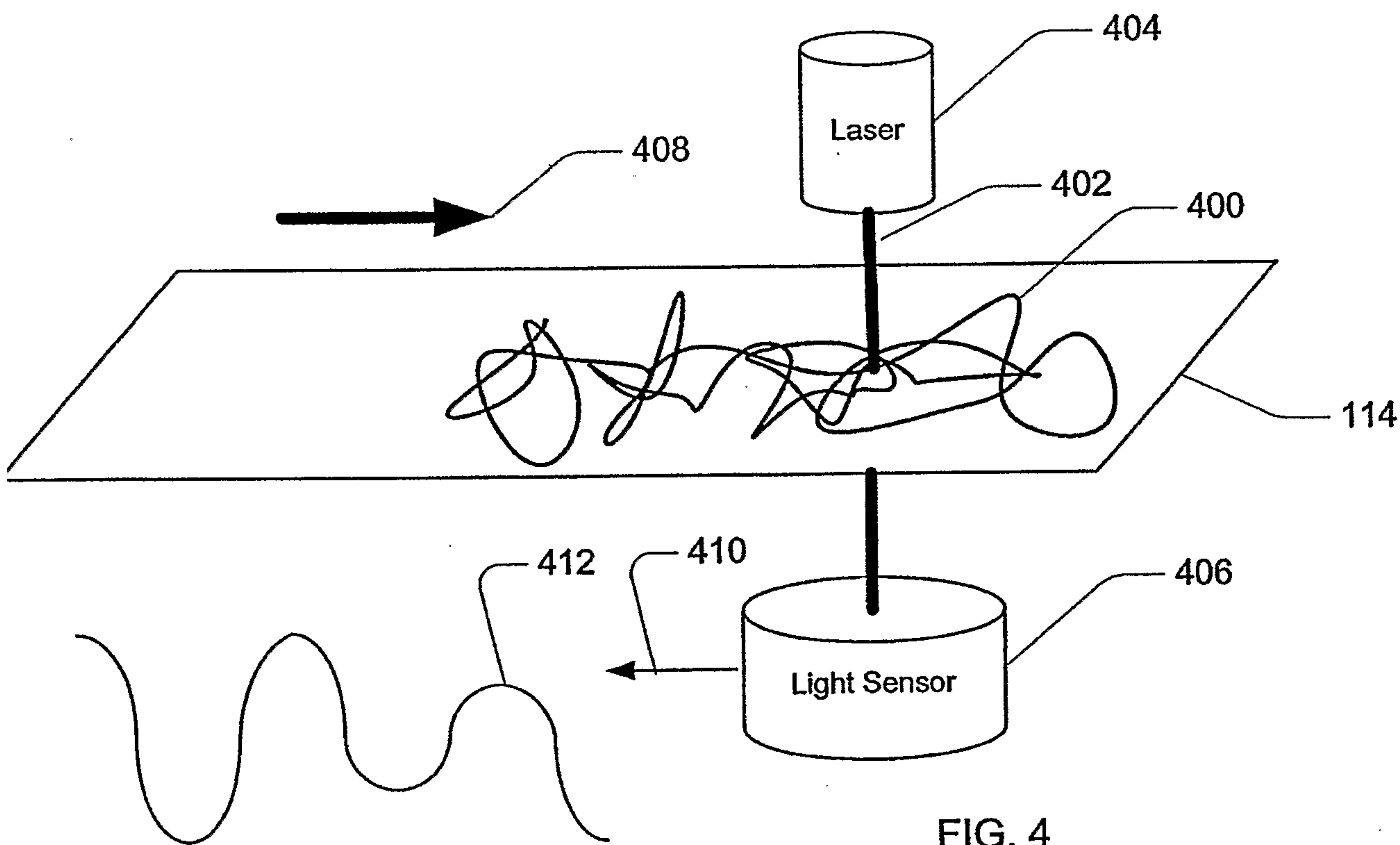


FIG. 4

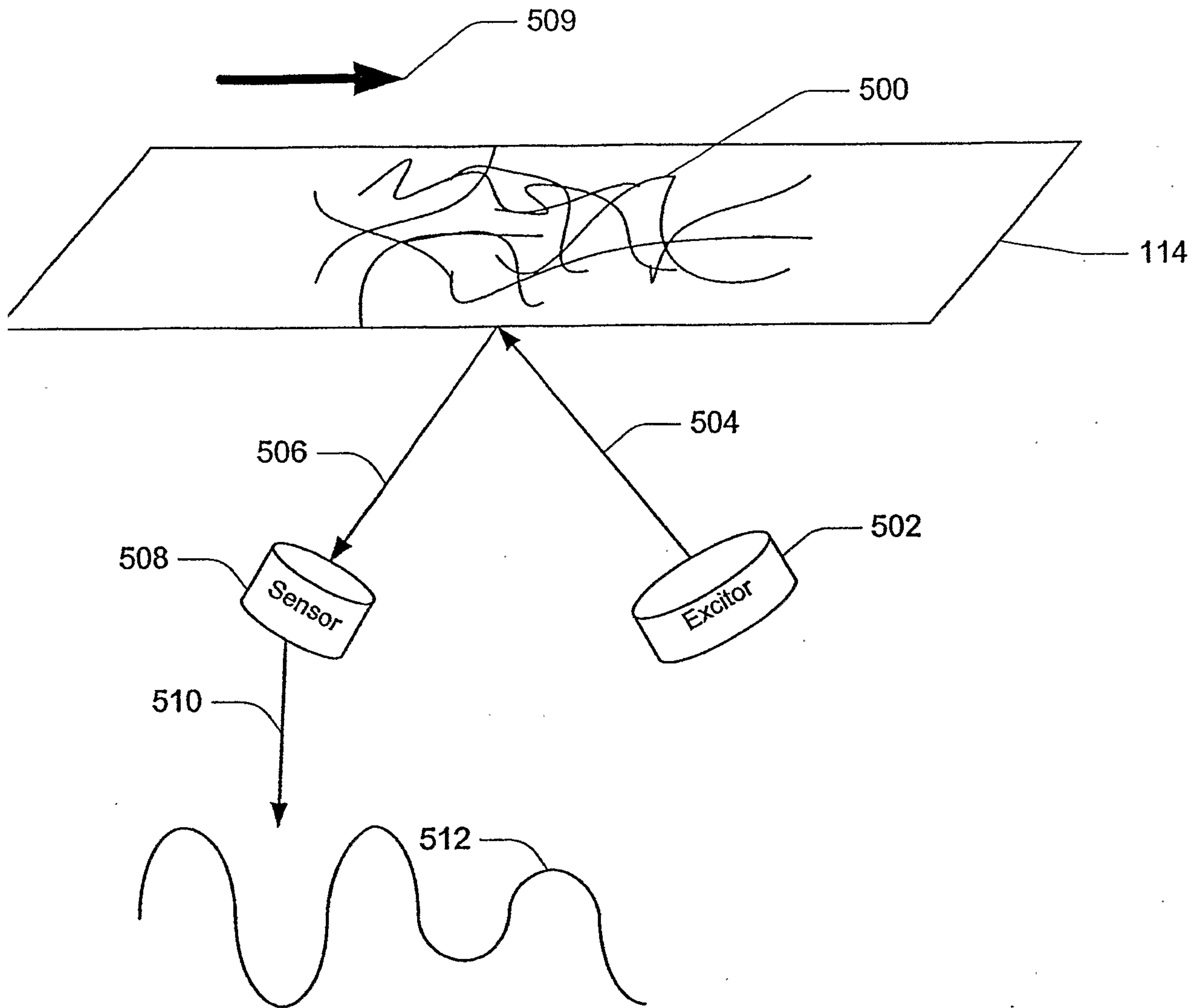


FIG. 5

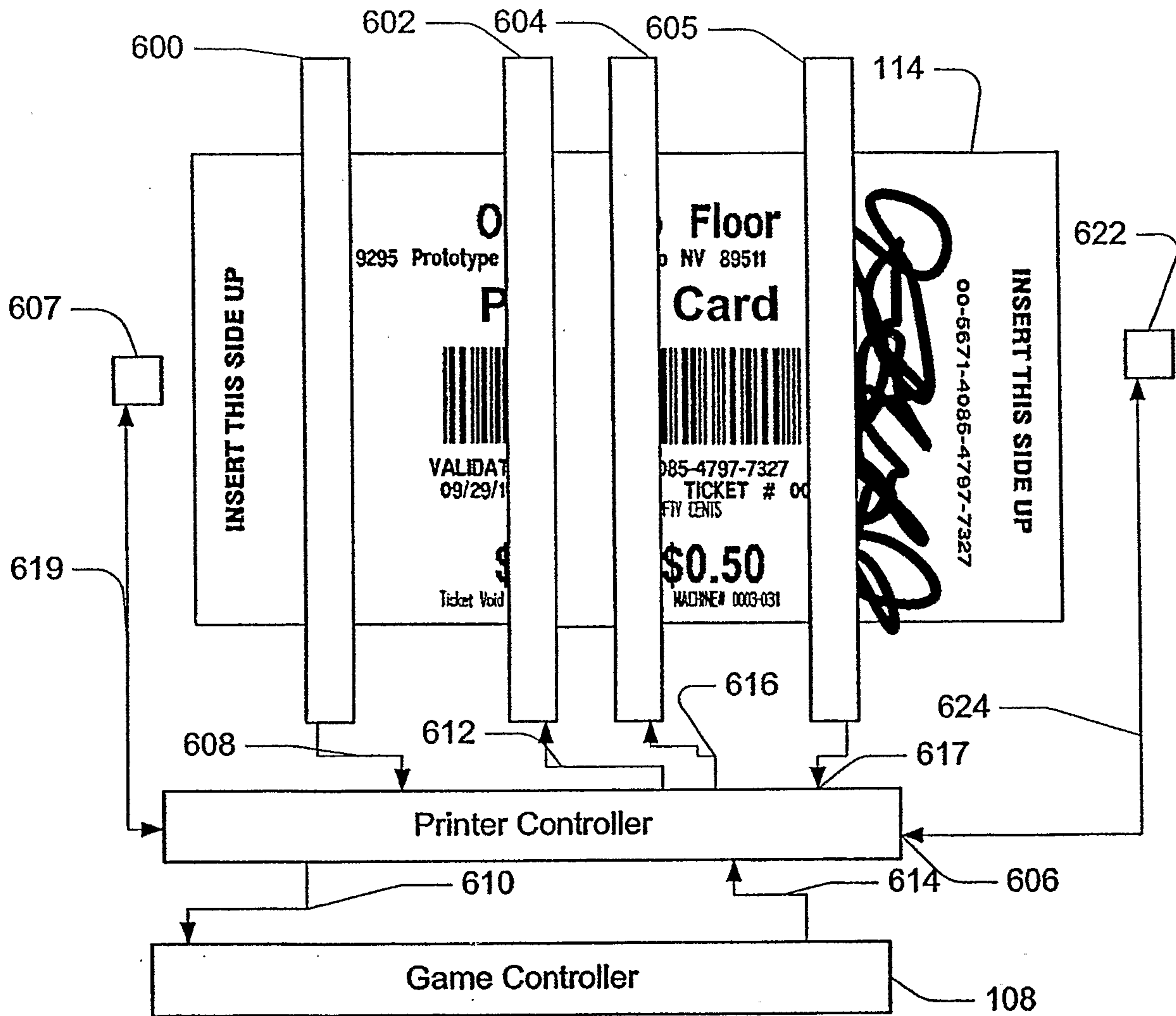


FIG. 6

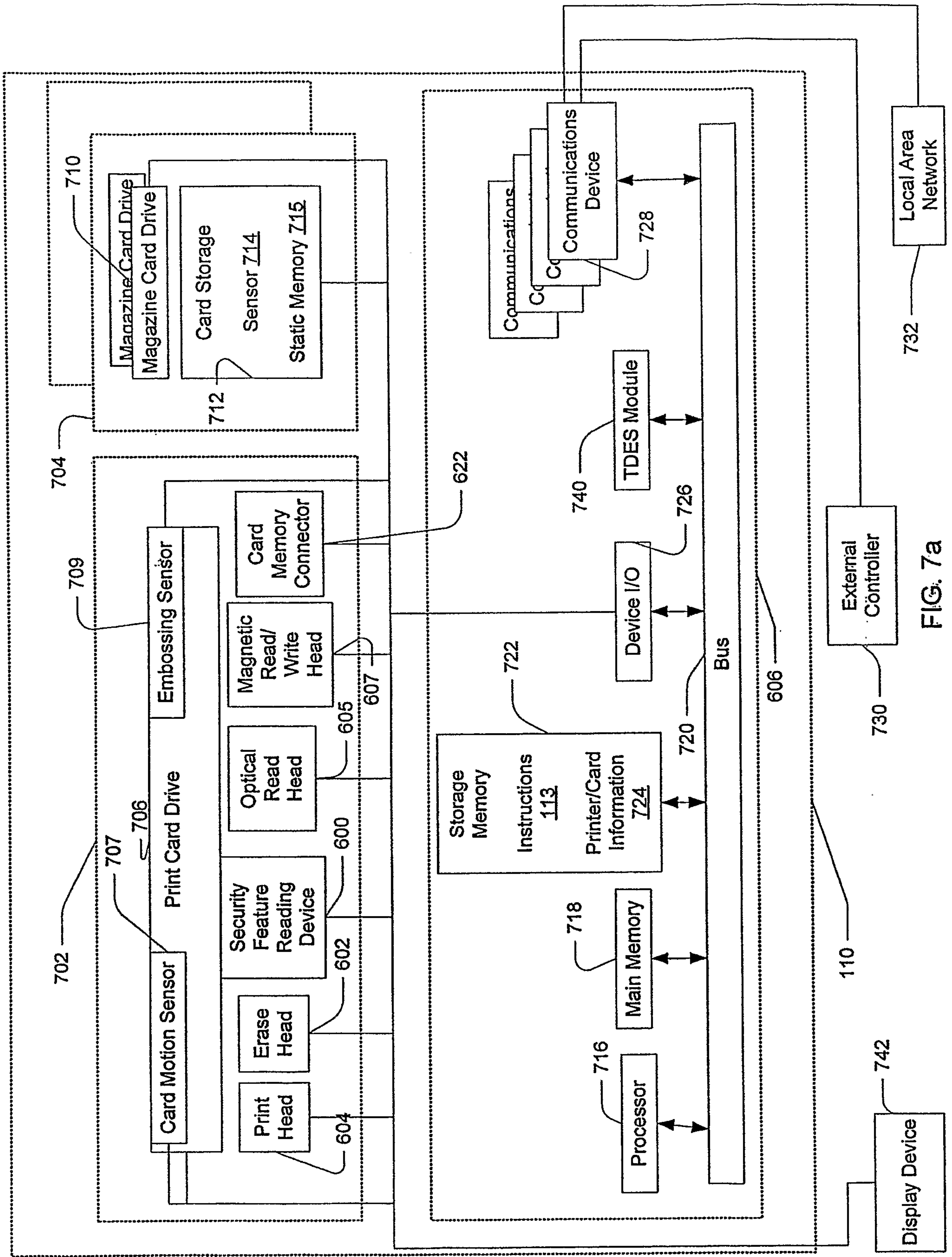


FIG. 7a

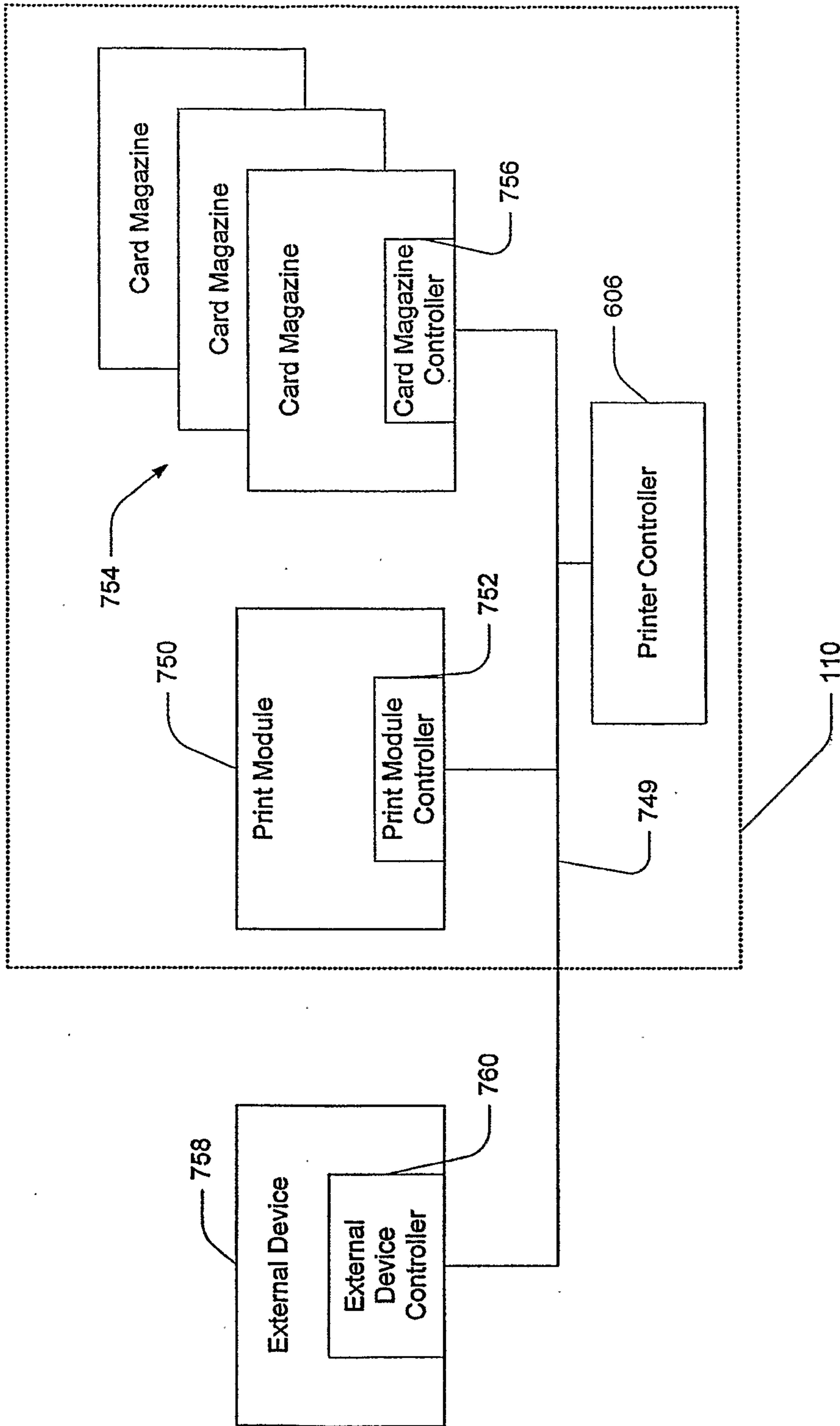


FIG. 7b

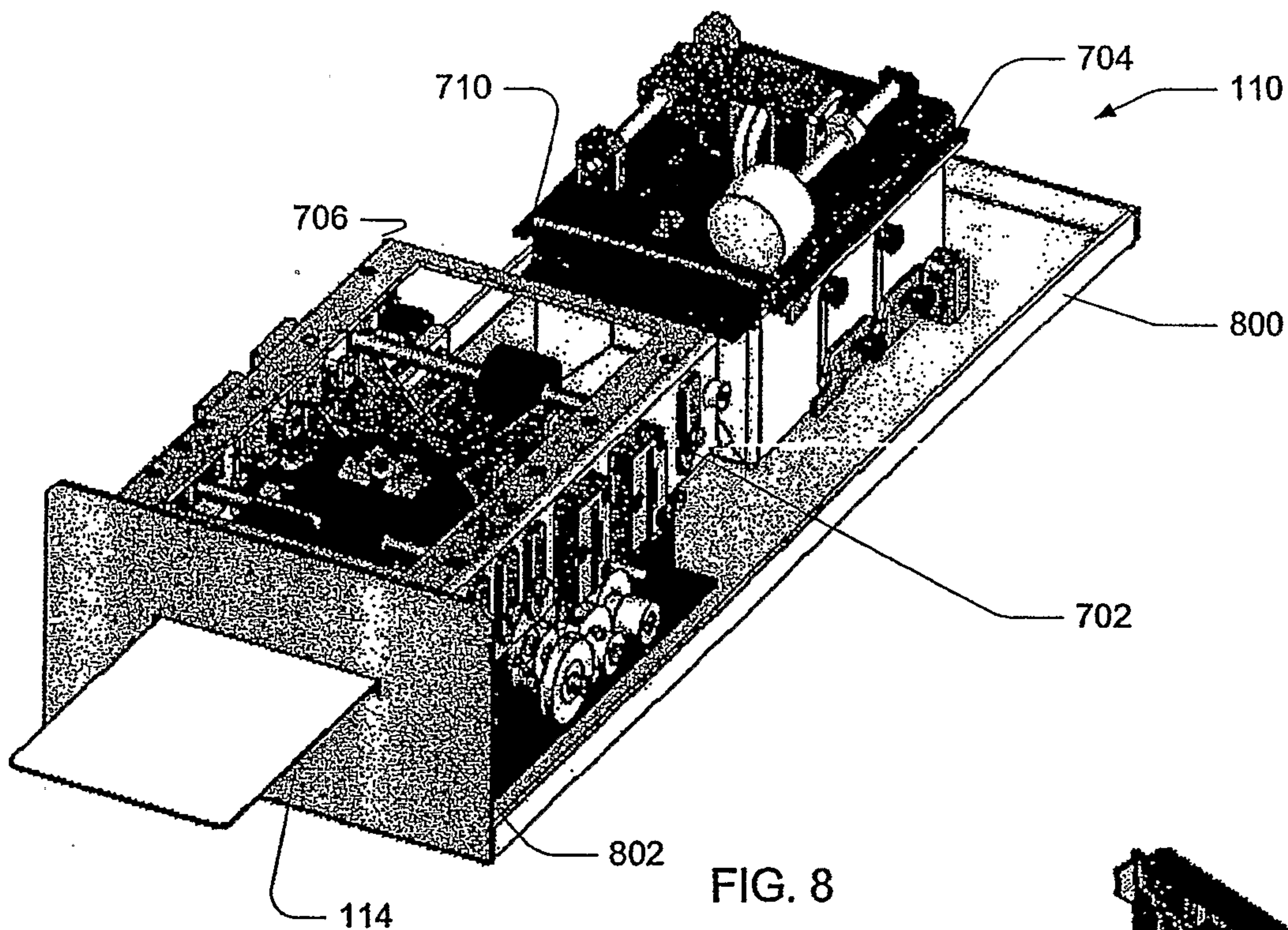


FIG. 8

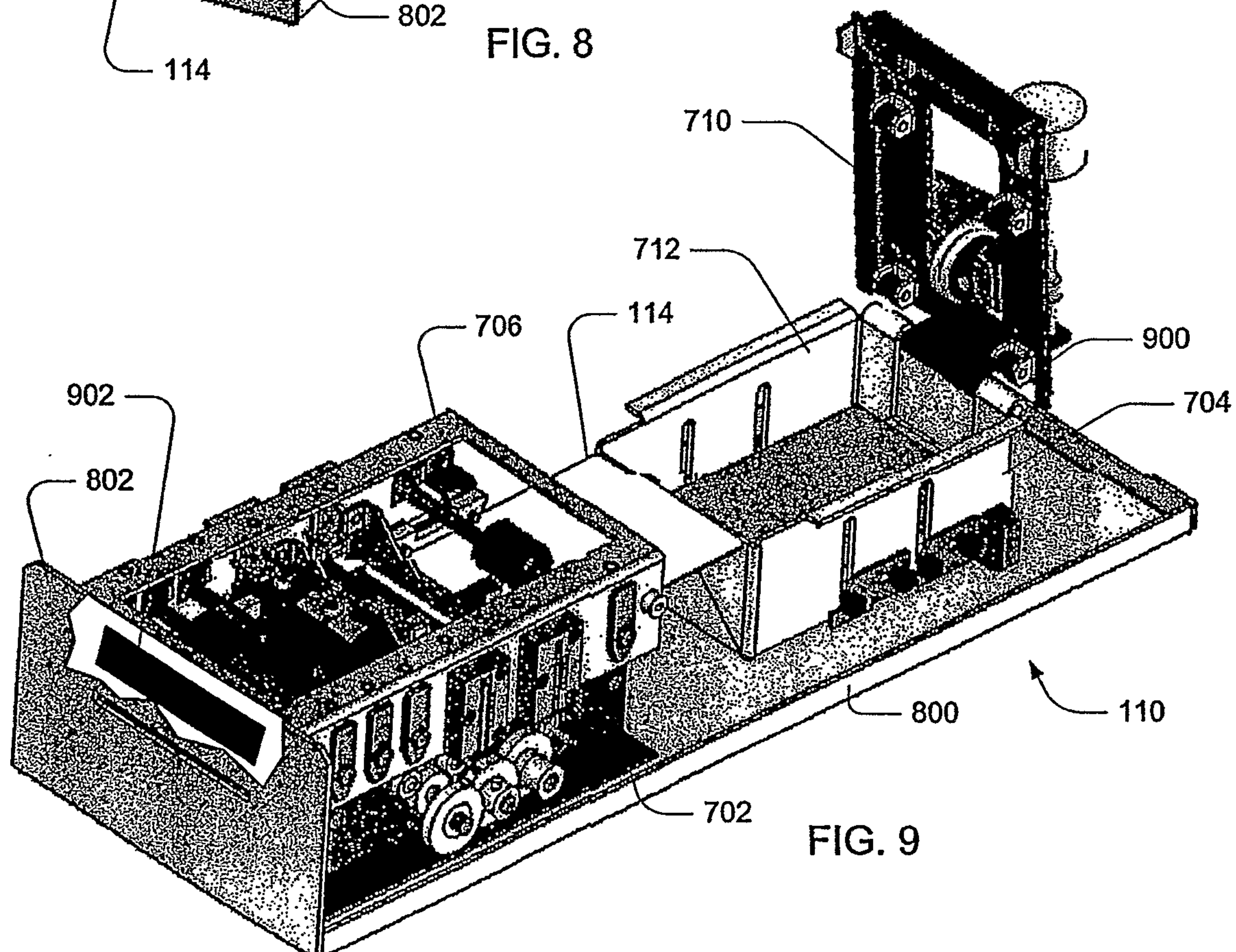
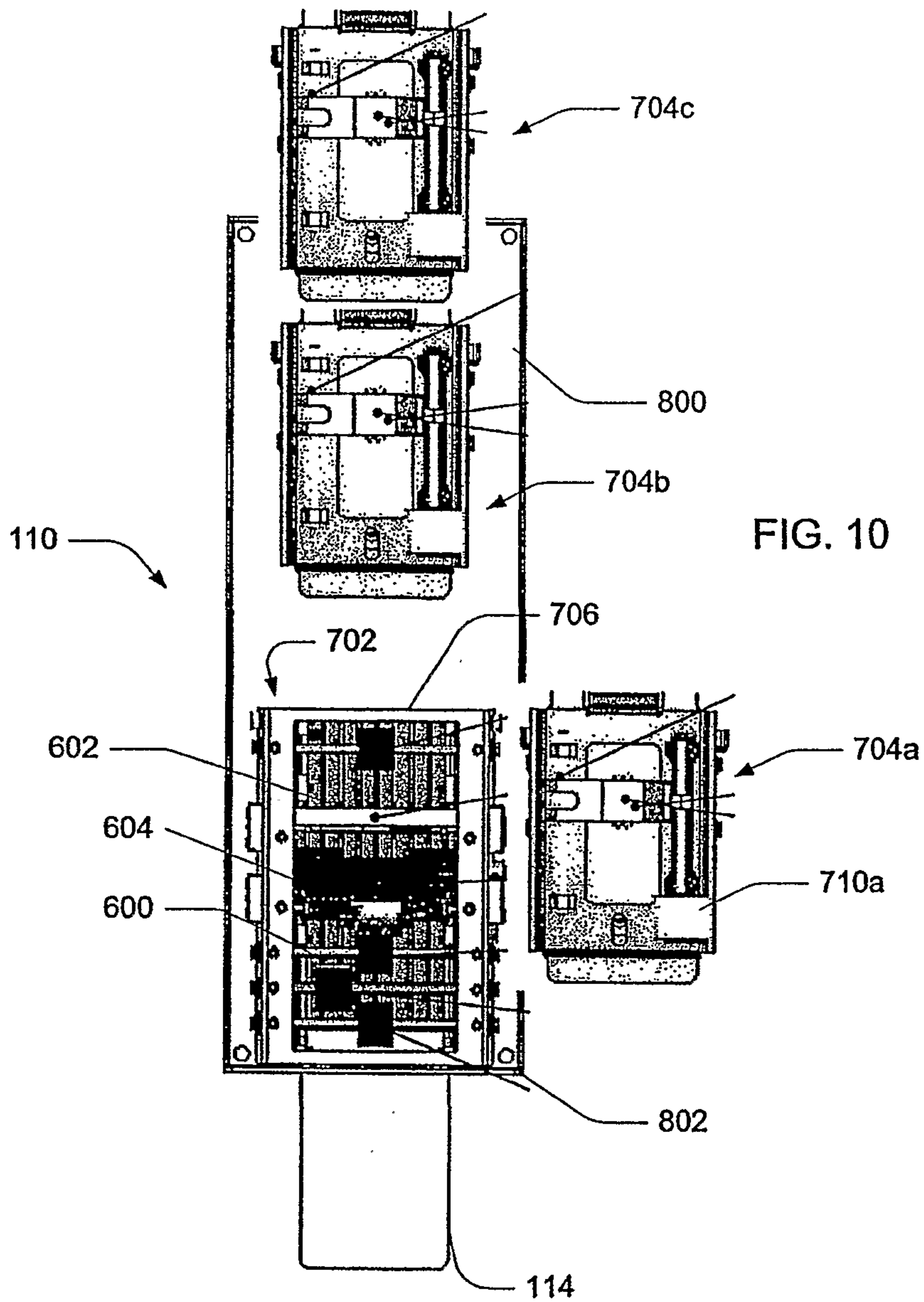


FIG. 9



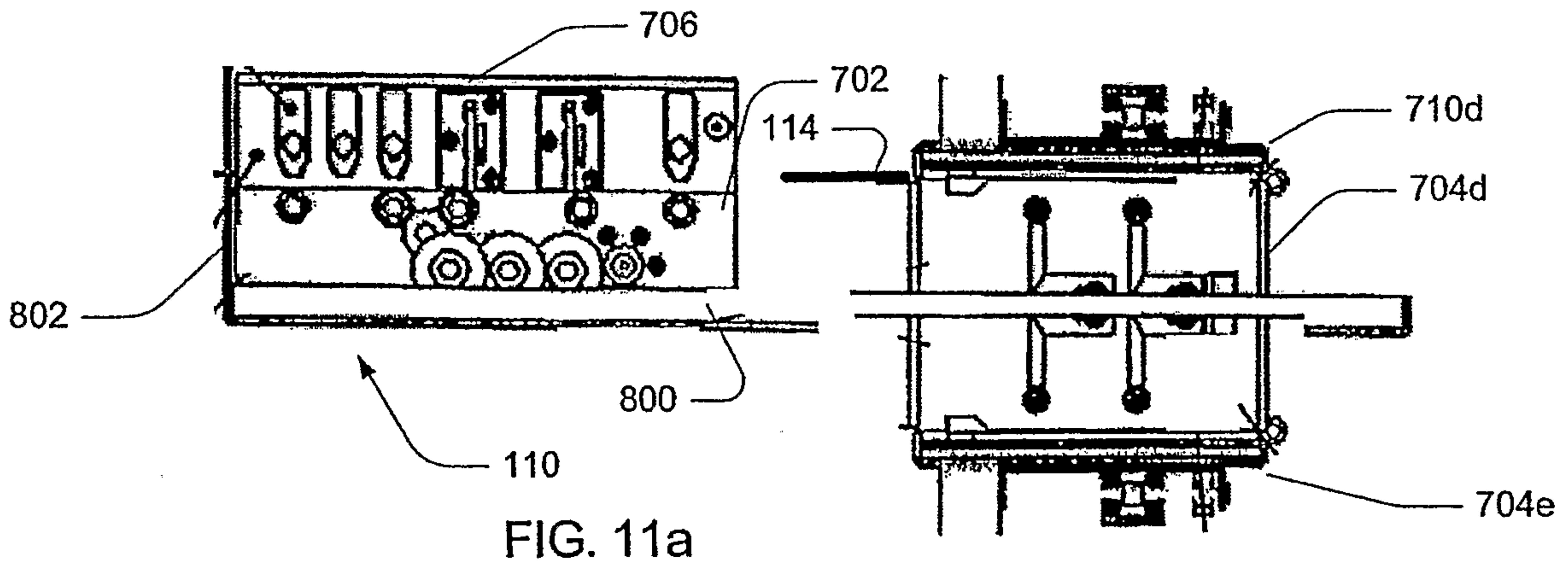


FIG. 11a

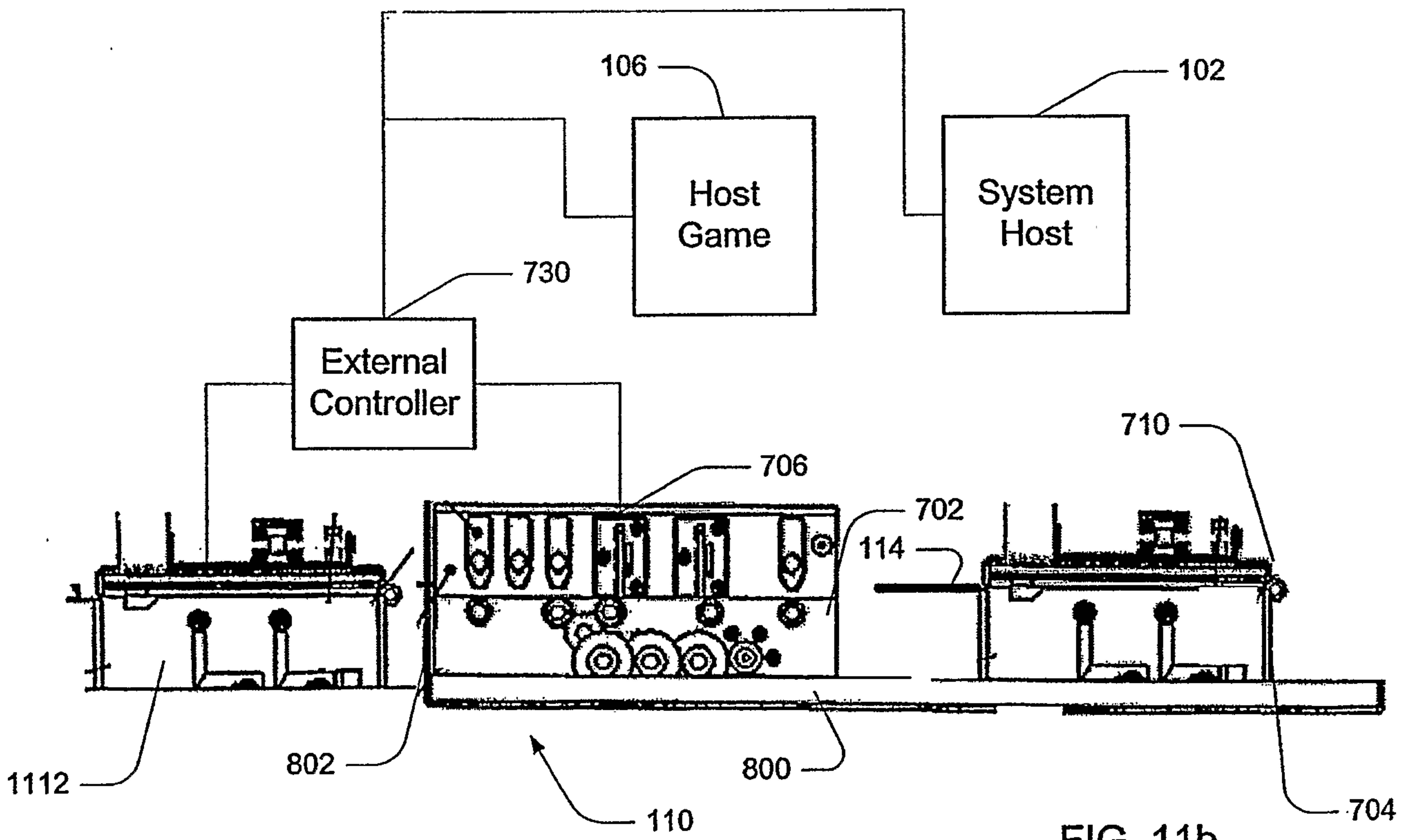
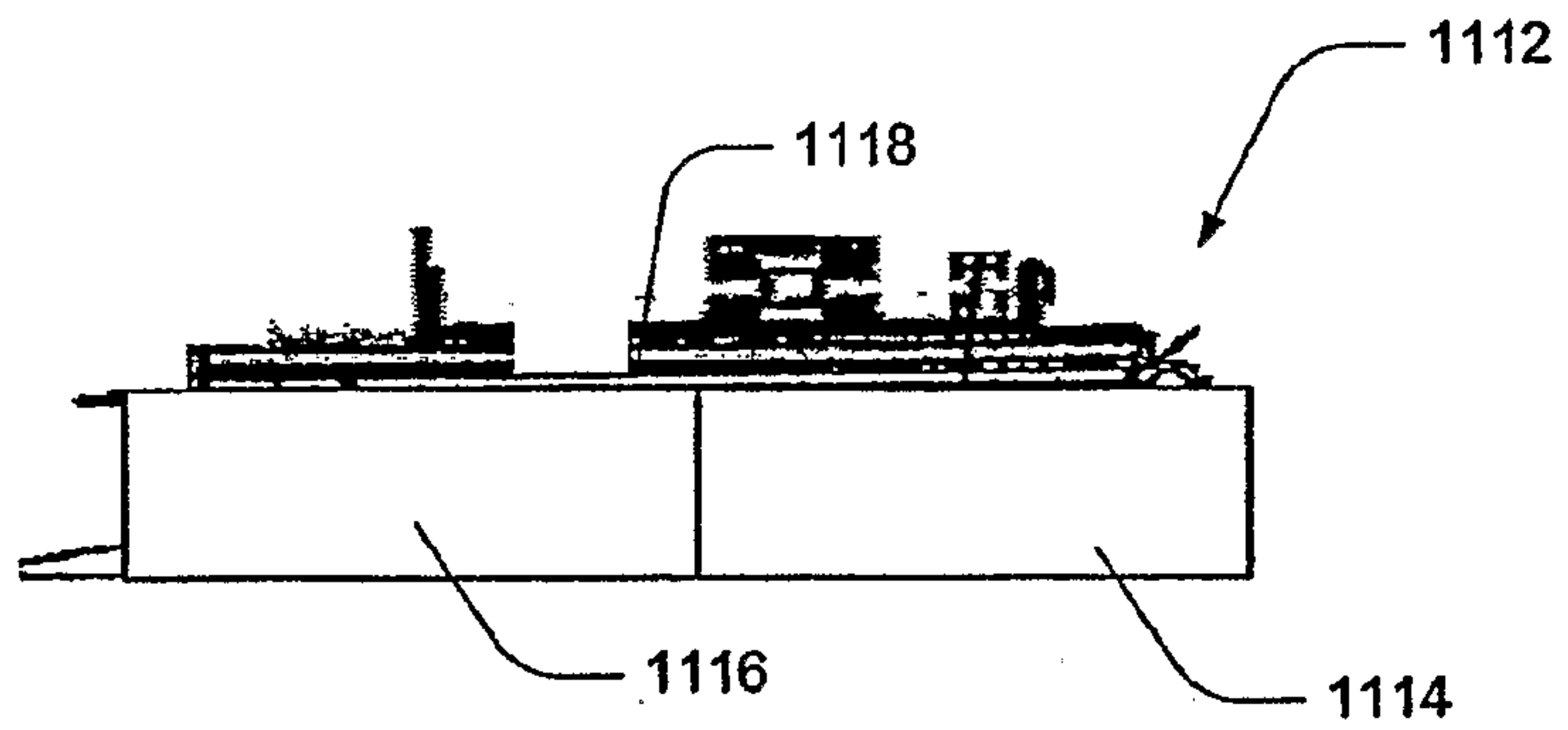
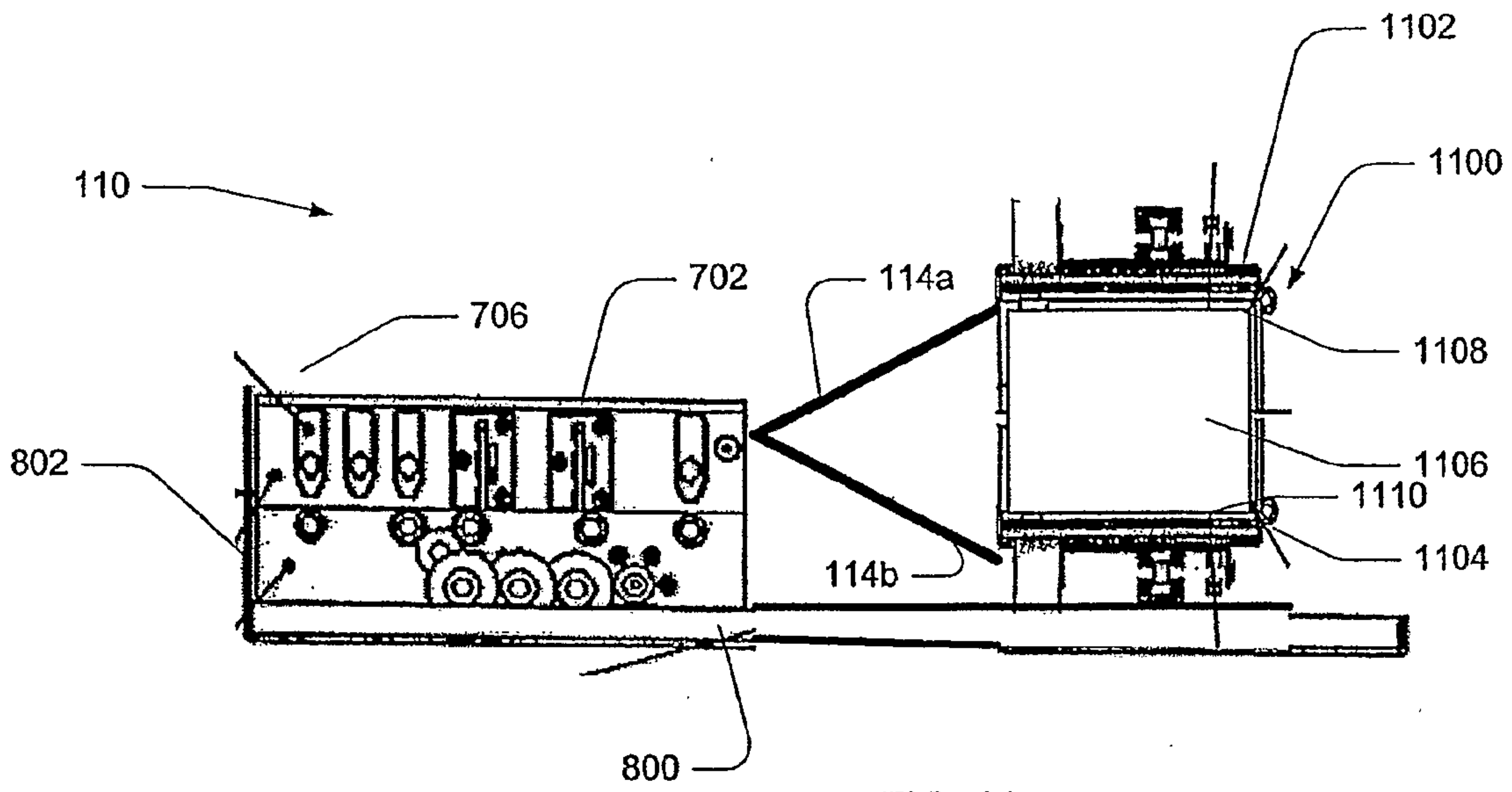


FIG. 11b



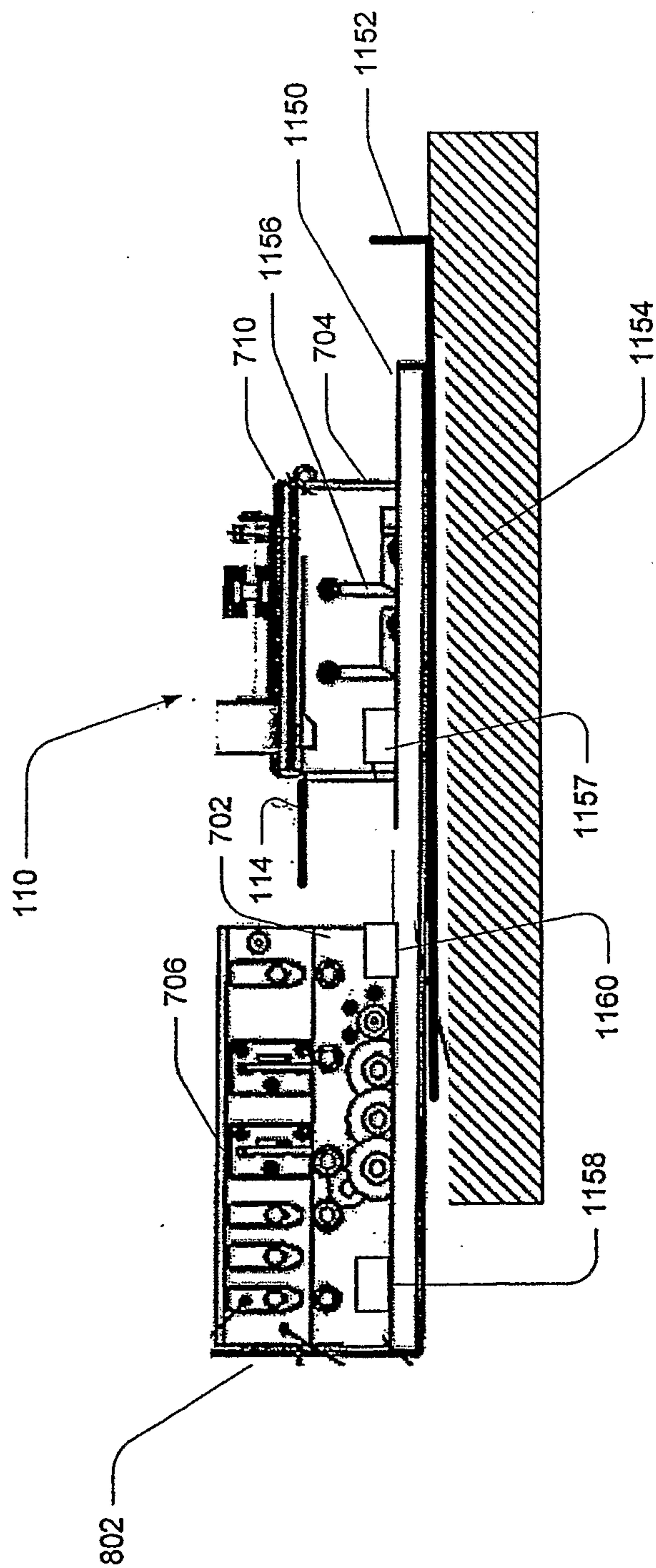


FIG. 11e

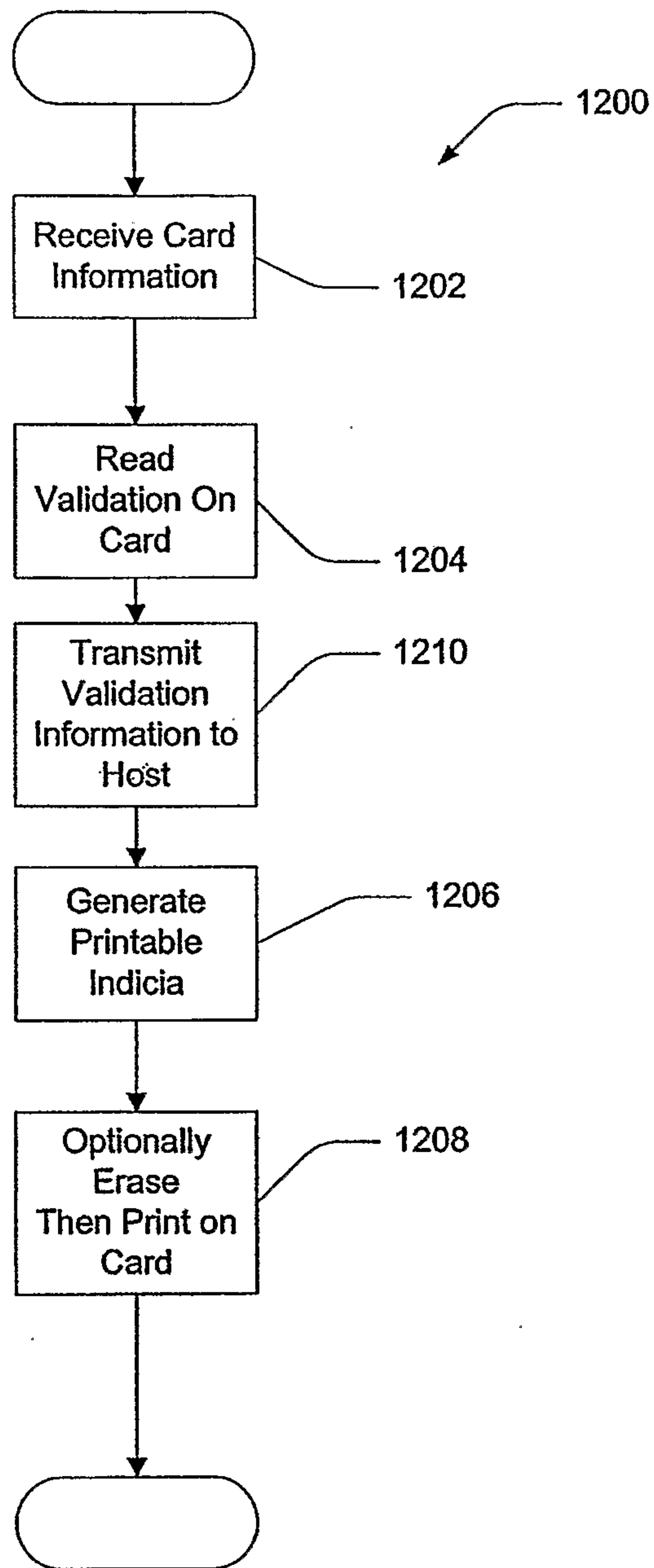


FIG. 12

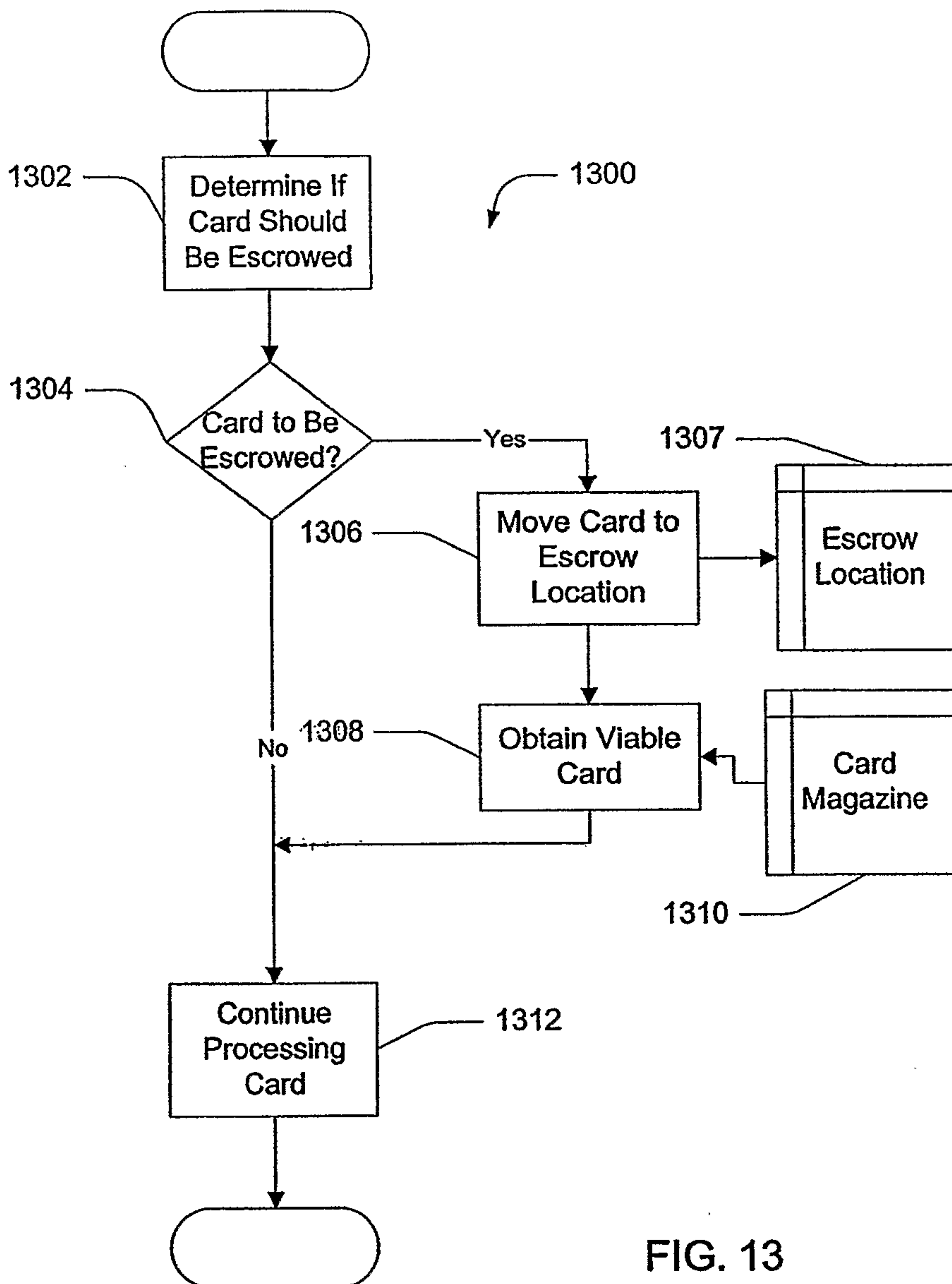


FIG. 13

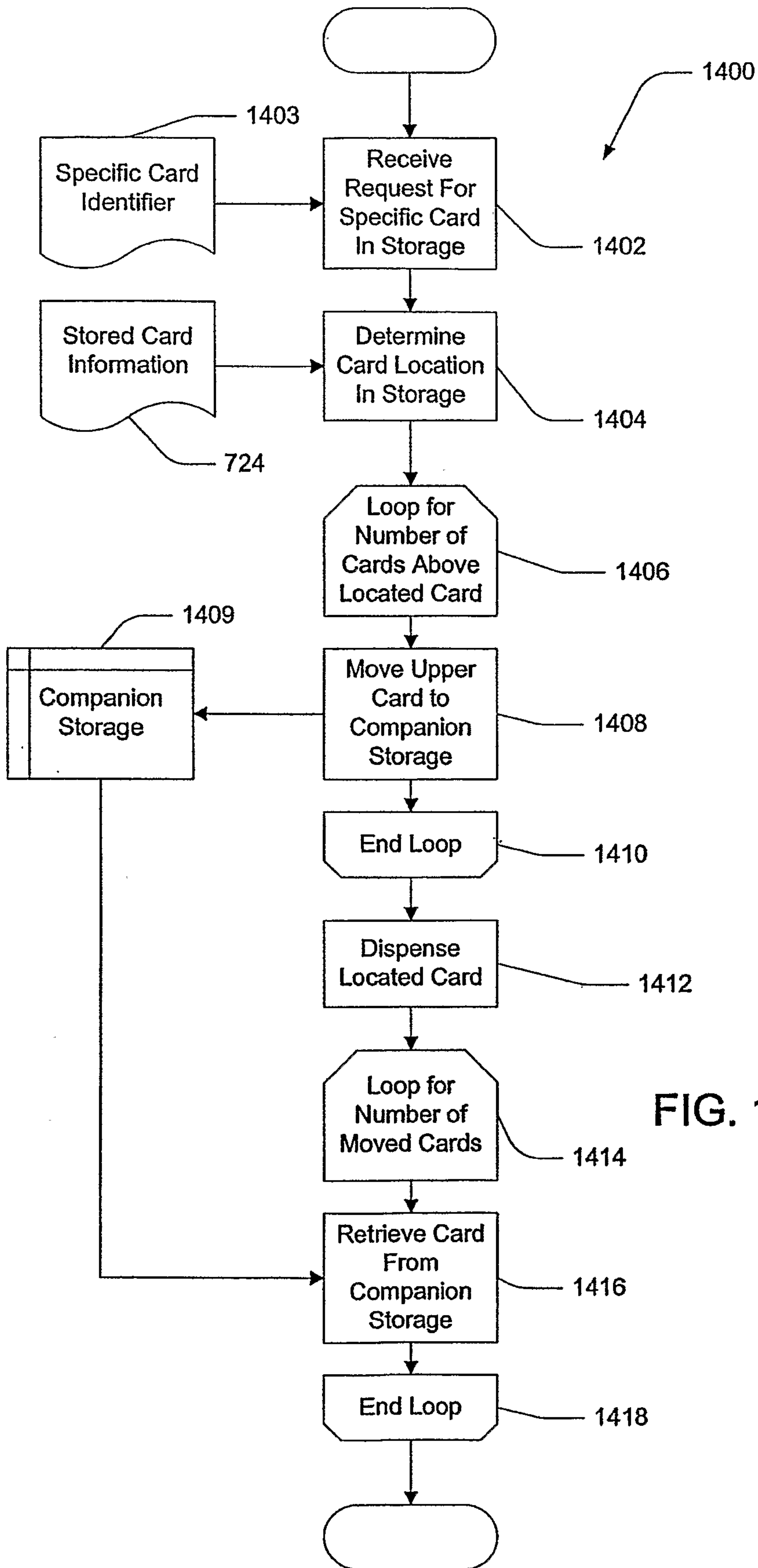
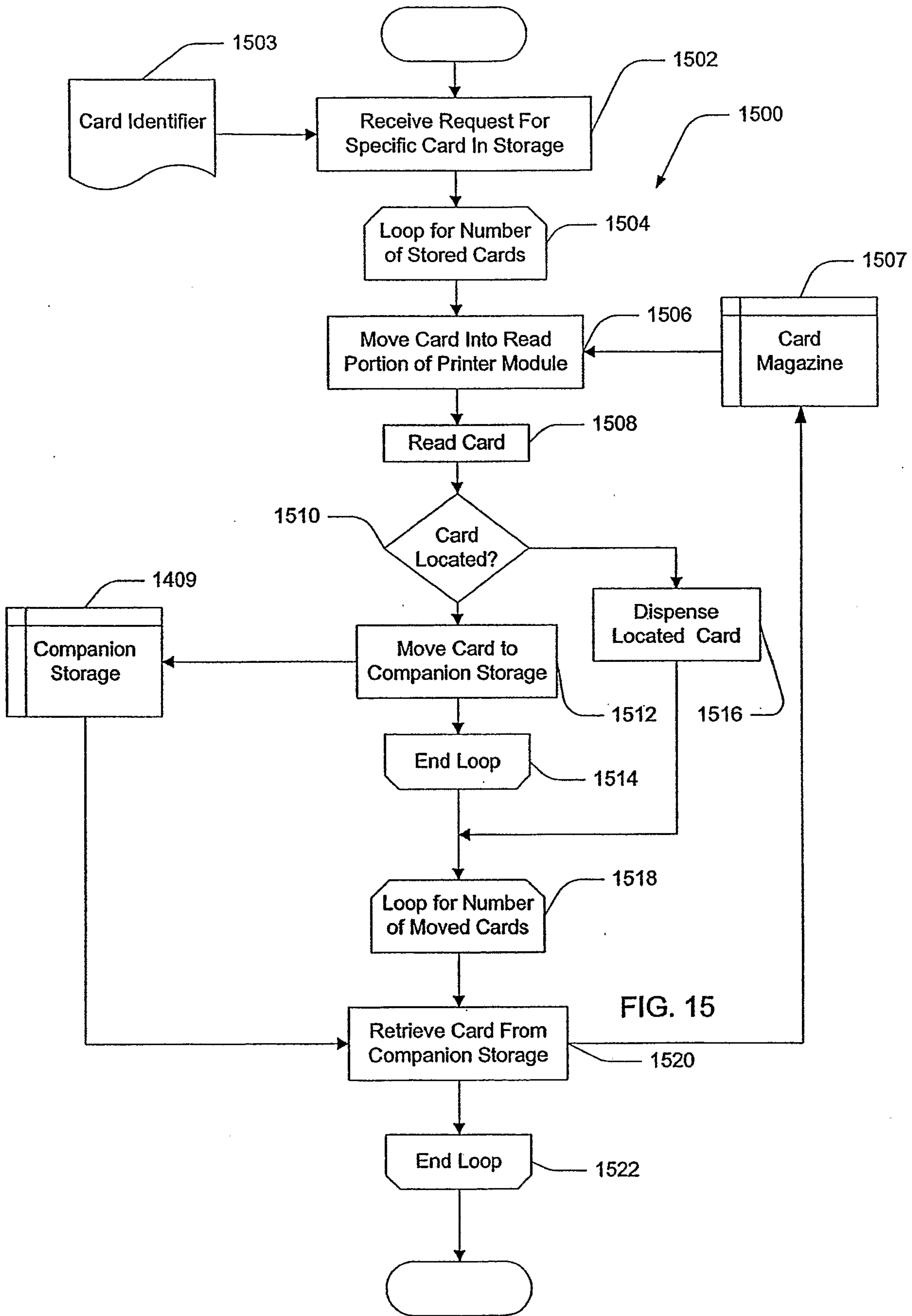


FIG. 14



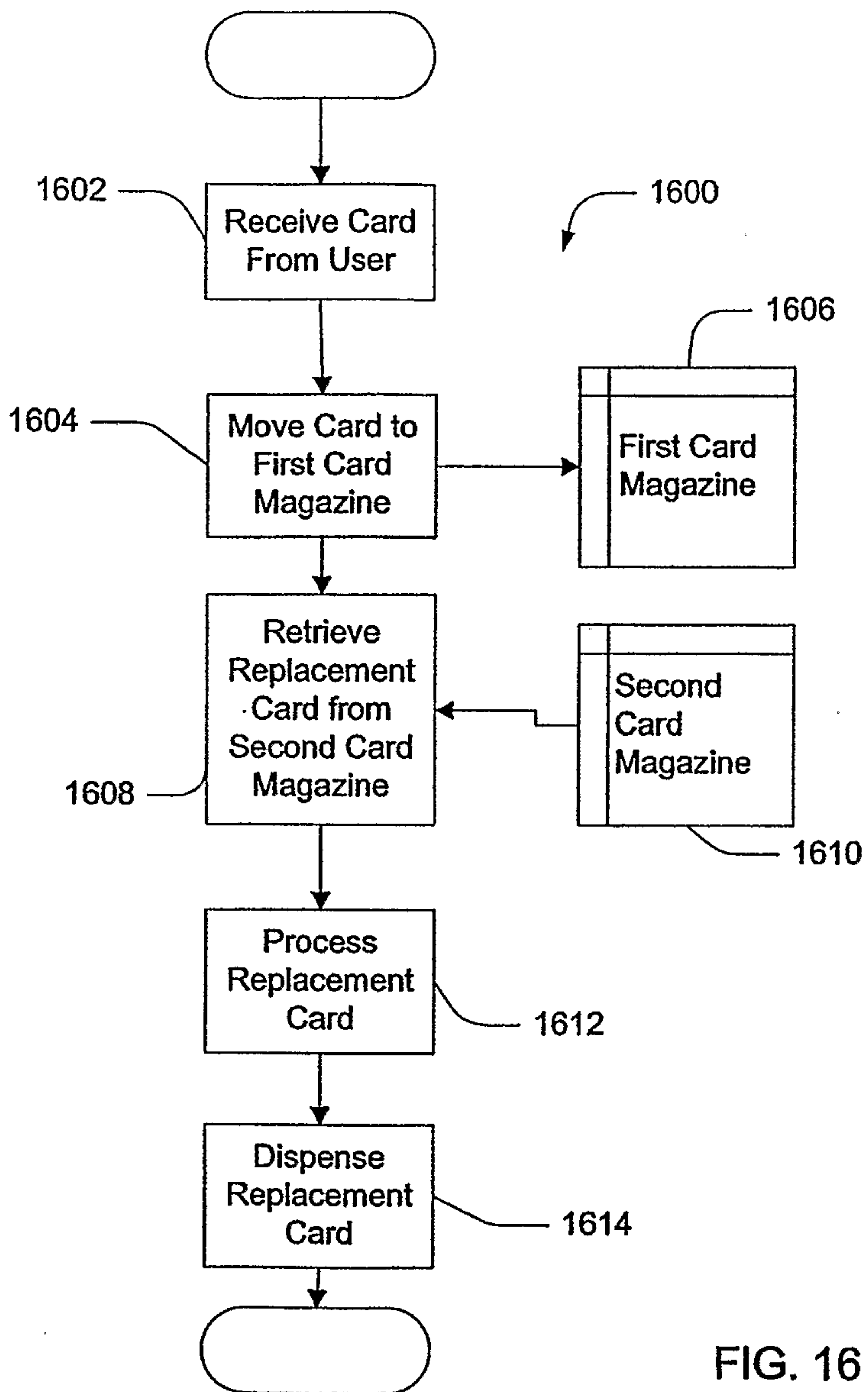


FIG. 16

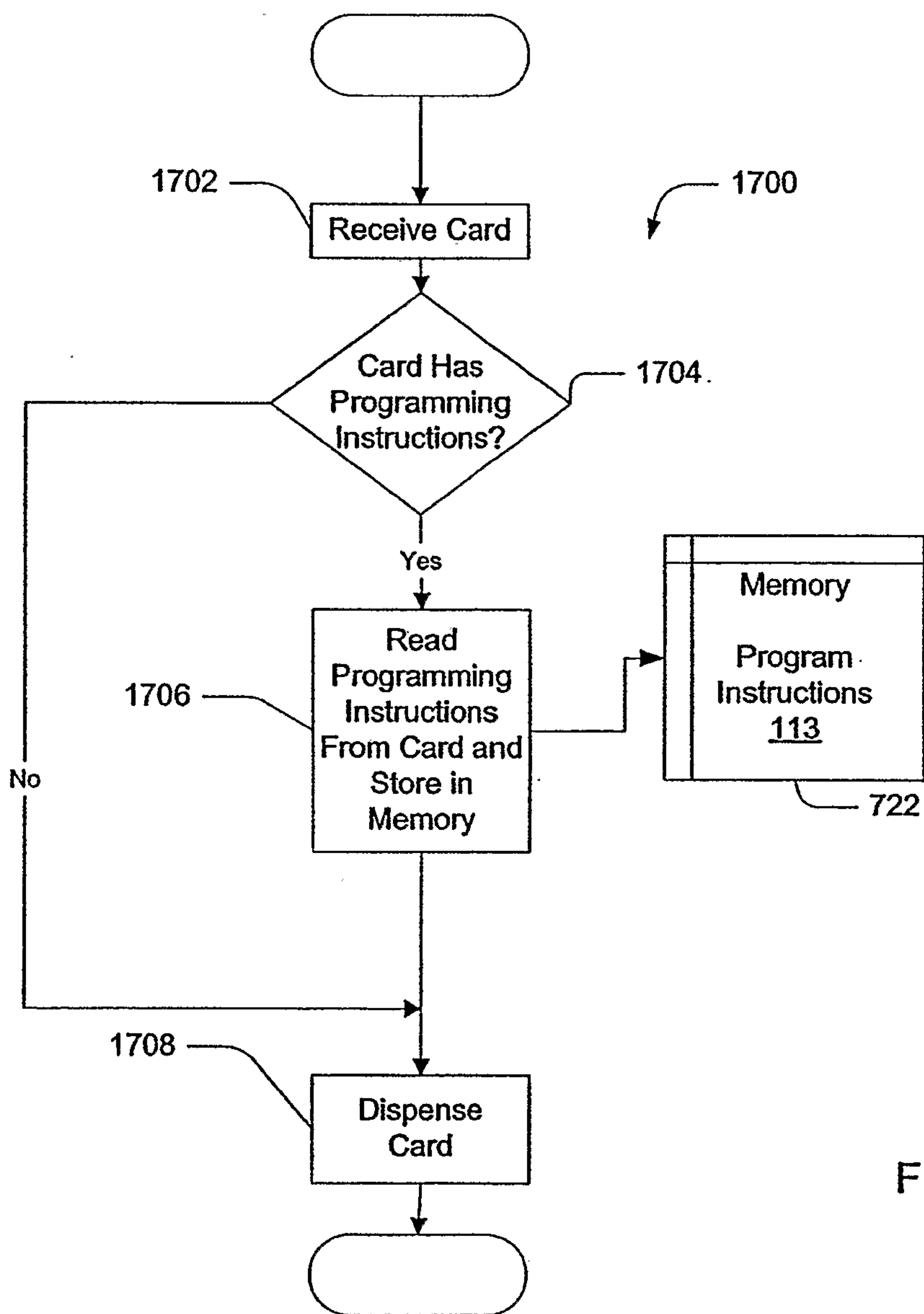


FIG. 17

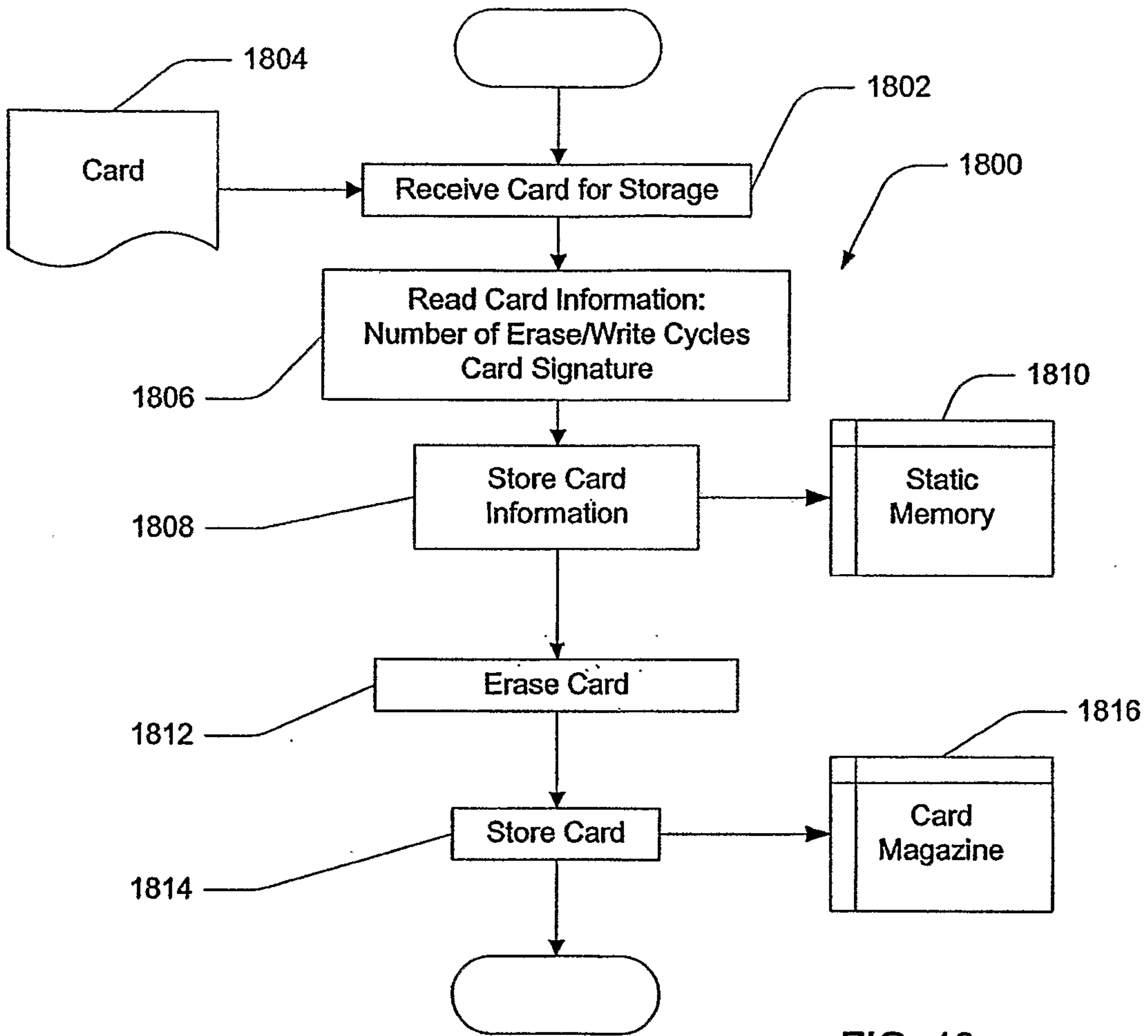


FIG. 18

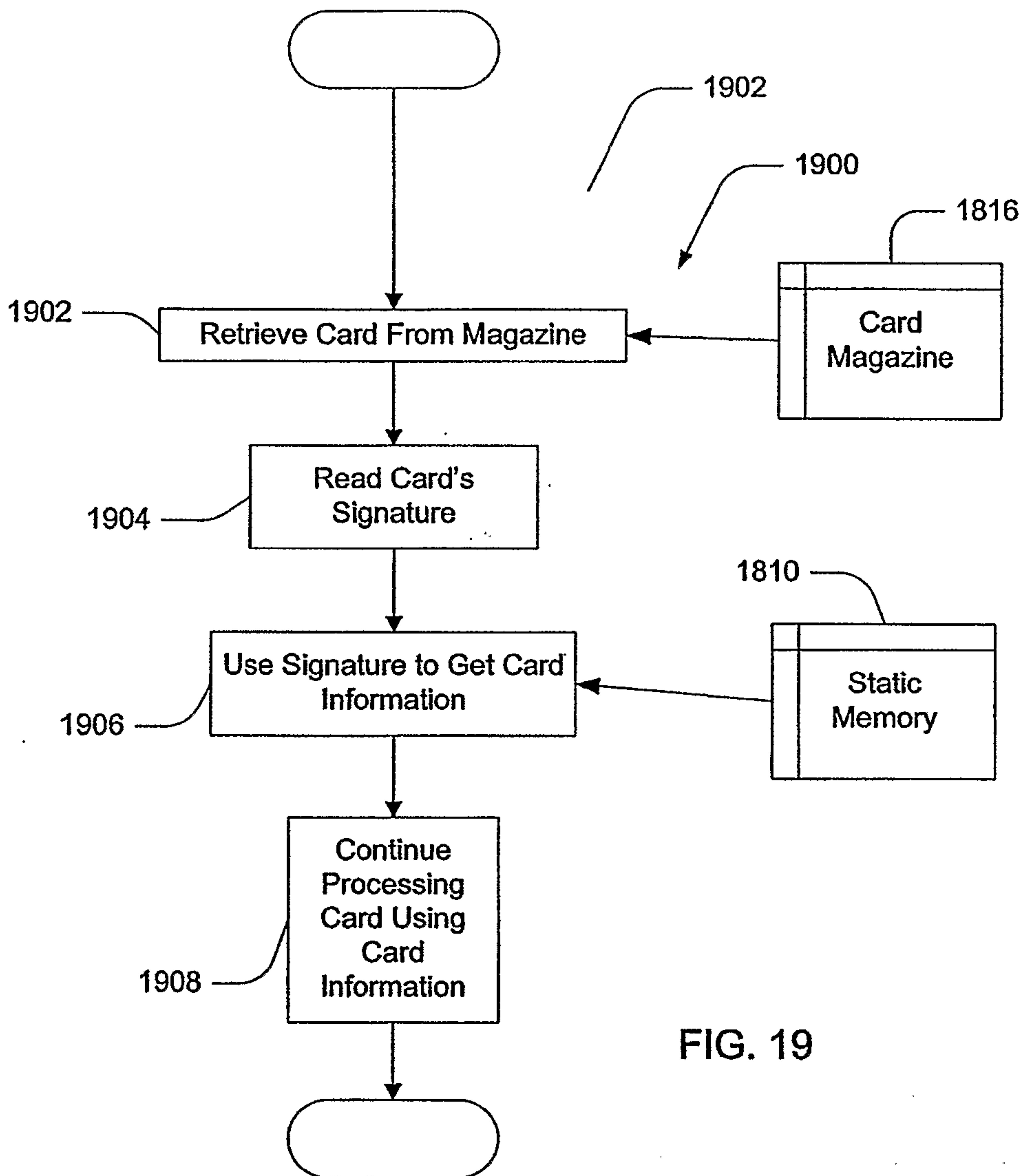


FIG. 19

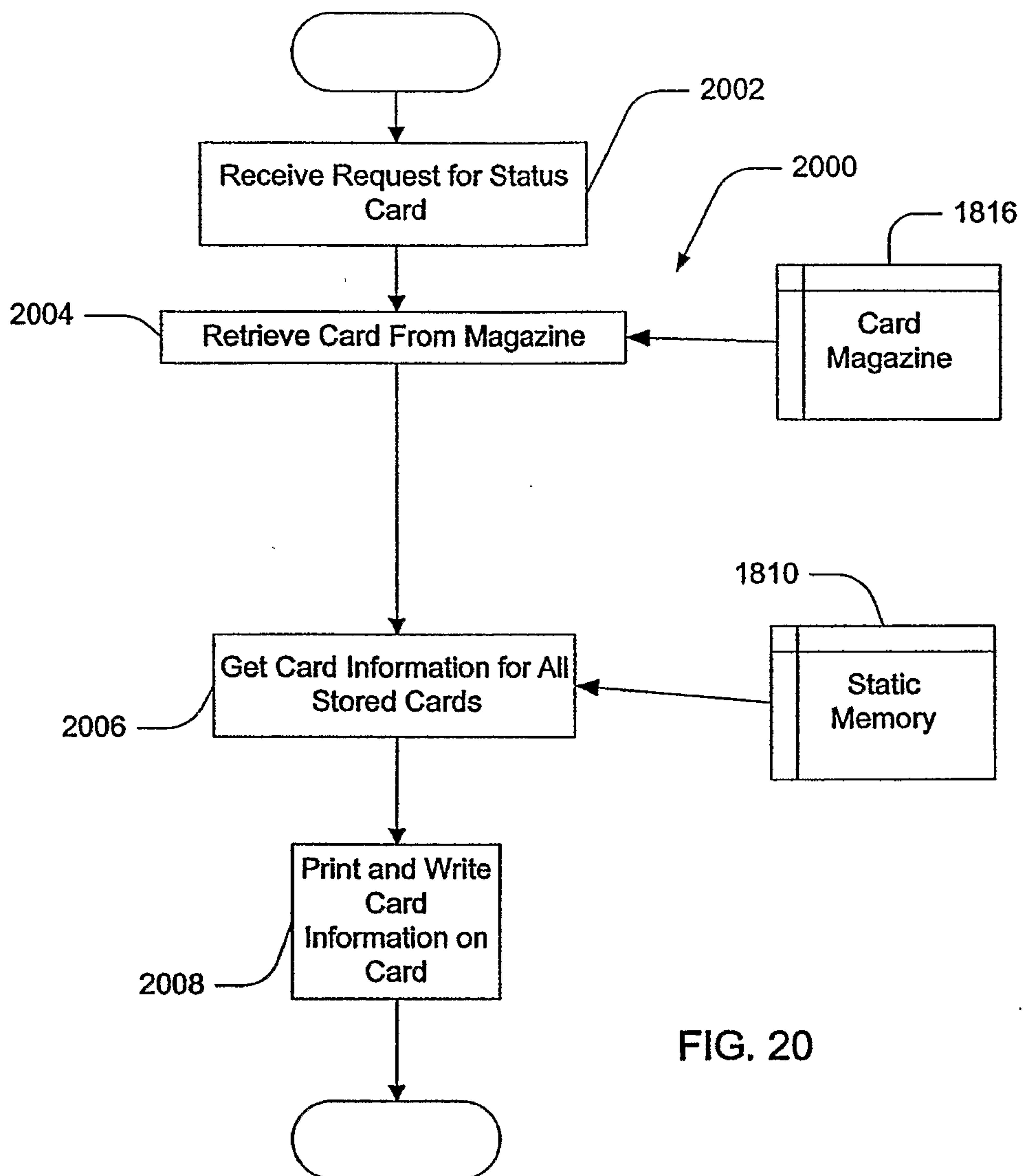


FIG. 20

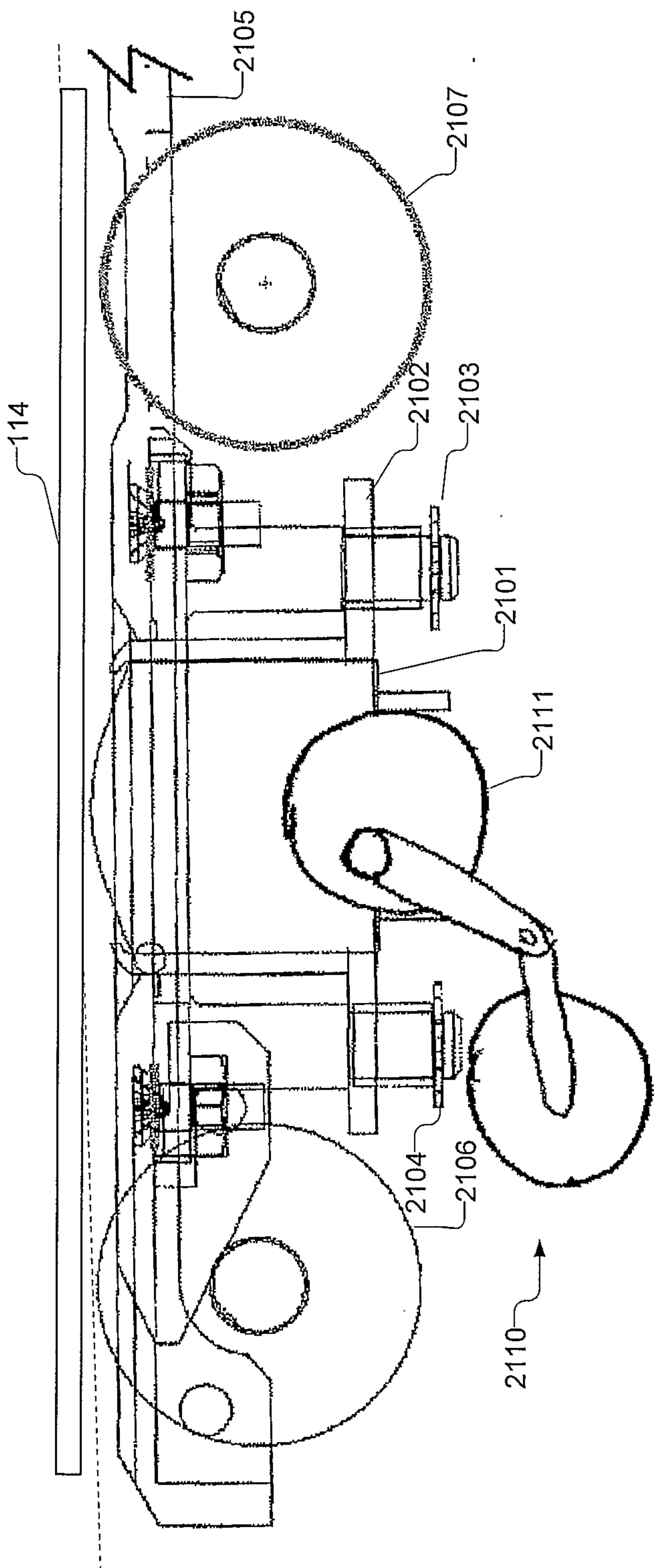


FIG. 21

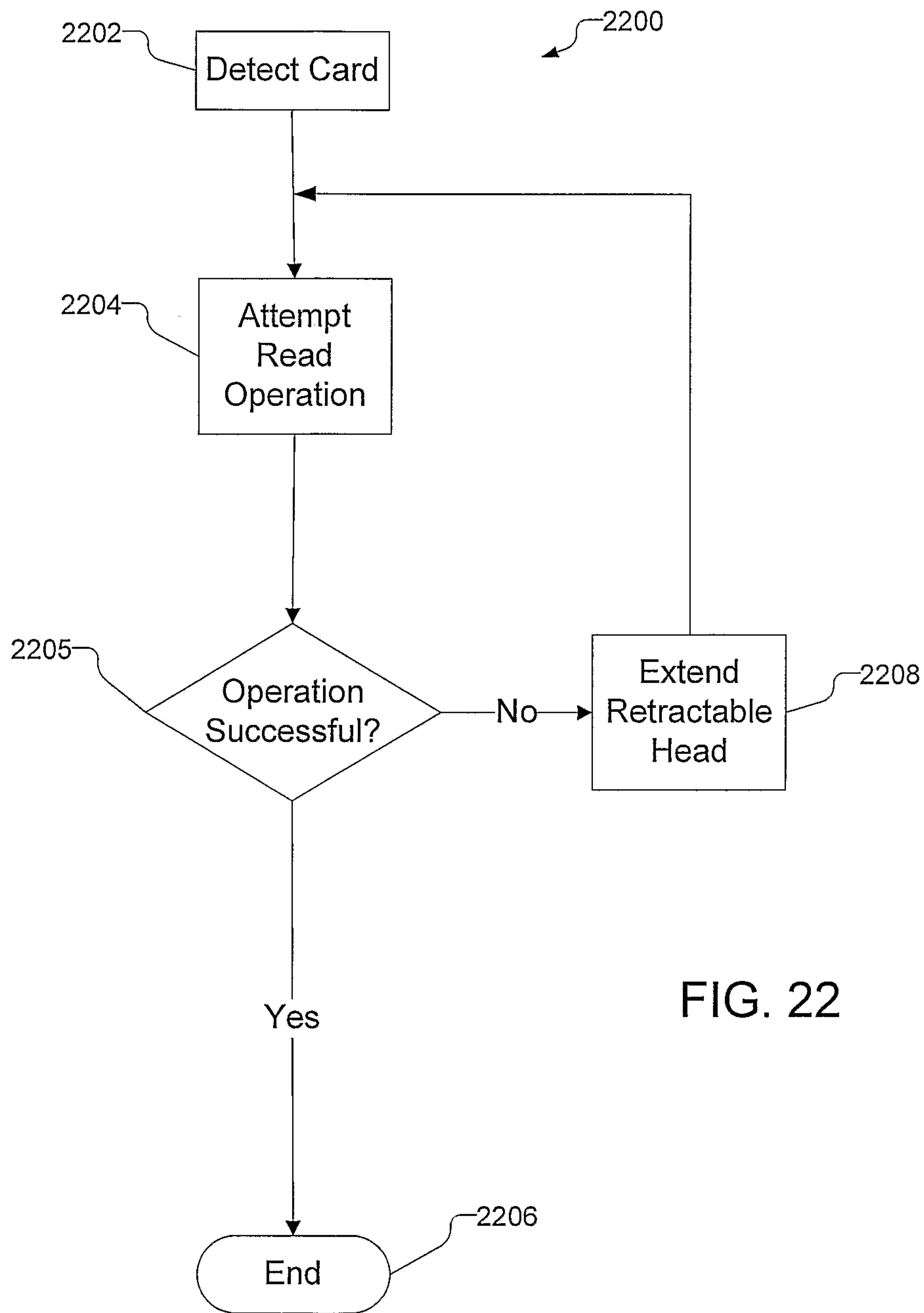


FIG. 22

