

CORRECTED VERSION

(19) World Intellectual Property Organization International Bureau

(43) International Publication Date 21 May 2015 (21.05.2015)



(10) International Publication Number WO 2015/073245 A8

- (51) International Patent Classification: A63H 18/02 (2006.01)
(21) International Application Number: PCT/US2014/063686
(22) International Filing Date: 3 November 2014 (03.11.2014)
(25) Filing Language: English
(26) Publication Language: English
(30) Priority Data: 61/905,665 18 November 2013 (18.11.2013) US; 14/272,740 8 May 2014 (08.05.2014) US
(71) Applicant: MATTEL, INC. [US/US]; 333 Continental Boulevard, El Segundo, CA 90245 (US).
(72) Inventors: DERUBES, John, D.; 69 Lakeview Drive, Grand Island, NY 14072 (US). GASTLE, Kevin, M.; 9299 Back Creek Road, Boston, NY 14025 (US).
(74) Agent: D'ASCENZO, David, S.; Dascenzo Intellectual Property Law, P.C., 1000 SW Broadway, Suite 1555, Portland, OR 97205 (US).

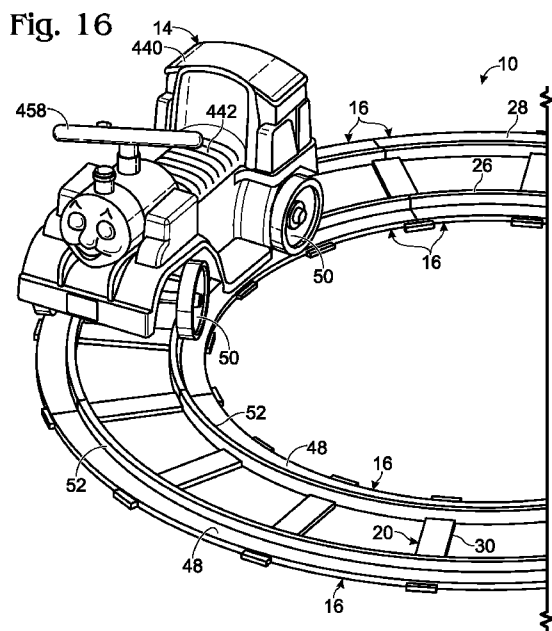
- (81) Designated States (unless otherwise indicated, for every kind of national protection available): AE, AG, AL, AM, AO, AT, AU, AZ, BA, BB, BG, BH, BN, BR, BW, BY, BZ, CA, CH, CL, CN, CO, CR, CU, CZ, DE, DK, DM, DO, DZ, EC, EE, EG, ES, FI, GB, GD, GE, GH, GM, GT, HN, HR, HU, ID, IL, IN, IR, IS, JP, KE, KG, KN, KP, KR, KZ, LA, LC, LK, LR, LS, LU, LY, MA, MD, ME, MG, MK, MN, MW, MX, MY, MZ, NA, NG, NI, NO, NZ, OM, PA, PE, PG, PH, PL, PT, QA, RO, RS, RU, RW, SA, SC, SD, SE, SG, SK, SL, SM, ST, SV, SY, TH, TJ, TM, TN, TR, TT, TZ, UA, UG, US, UZ, VC, VN, ZA, ZM, ZW.
(84) Designated States (unless otherwise indicated, for every kind of regional protection available): ARIPO (BW, GH, GM, KE, LR, LS, MW, MZ, NA, RW, SD, SL, ST, SZ, TZ, UG, ZM, ZW), Eurasian (AM, AZ, BY, KG, KZ, RU, TJ, TM), European (AL, AT, BE, BG, CH, CY, CZ, DE, DK, EE, ES, FI, FR, GB, GR, HR, HU, IE, IS, IT, LT, LU, LV, MC, MK, MT, NL, NO, PL, PT, RO, RS, SE, SI, SK, SM, TR), OAPI (BF, BJ, CF, CG, CI, CM, GA, GN, GQ, GW, KM, ML, MR, NE, SN, TD, TG).

Declarations under Rule 4.17:

— of inventorship (Rule 4.17(iv))

[Continued on next page]

(54) Title: TRACK ASSEMBLIES AND TRACK ASSEMBLY KITS FOR CHILDREN'S RIDE-ON VEHICLES



(57) Abstract: Track assemblies and track assembly kits for children's ride-on vehicles, as well as children's ride-on vehicle systems, according to the present disclosure are configured for assembly and disassembly of a track assembly. Track assemblies may include elongate rail members, couplers that are configured to couple together two elongate rail members, and optionally tie members that include one or more couplers. Generally, track assemblies comprise a left rail (including longitudinally aligned elongate rail members) and a right rail (including longitudinally aligned elongate rail members) in a spaced-apart and parallel relationship. Elongate rail members, couplers, and/or tie members are configured to releasably and repeatedly couple together. In the disassembled state, the component parts may be stored and/or shipped compactly. In the assembled state, the track assembly may define a track path, and the track assembly may be configured to guide the children's ride-on vehicle along the track path.



WO 2015/073245 A8



Published:

— *with international search report (Art. 21(3))*

(15) Information about Correction:

see Notice of 7 April 2016

(48) Date of publication of this corrected version:

7 April 2016