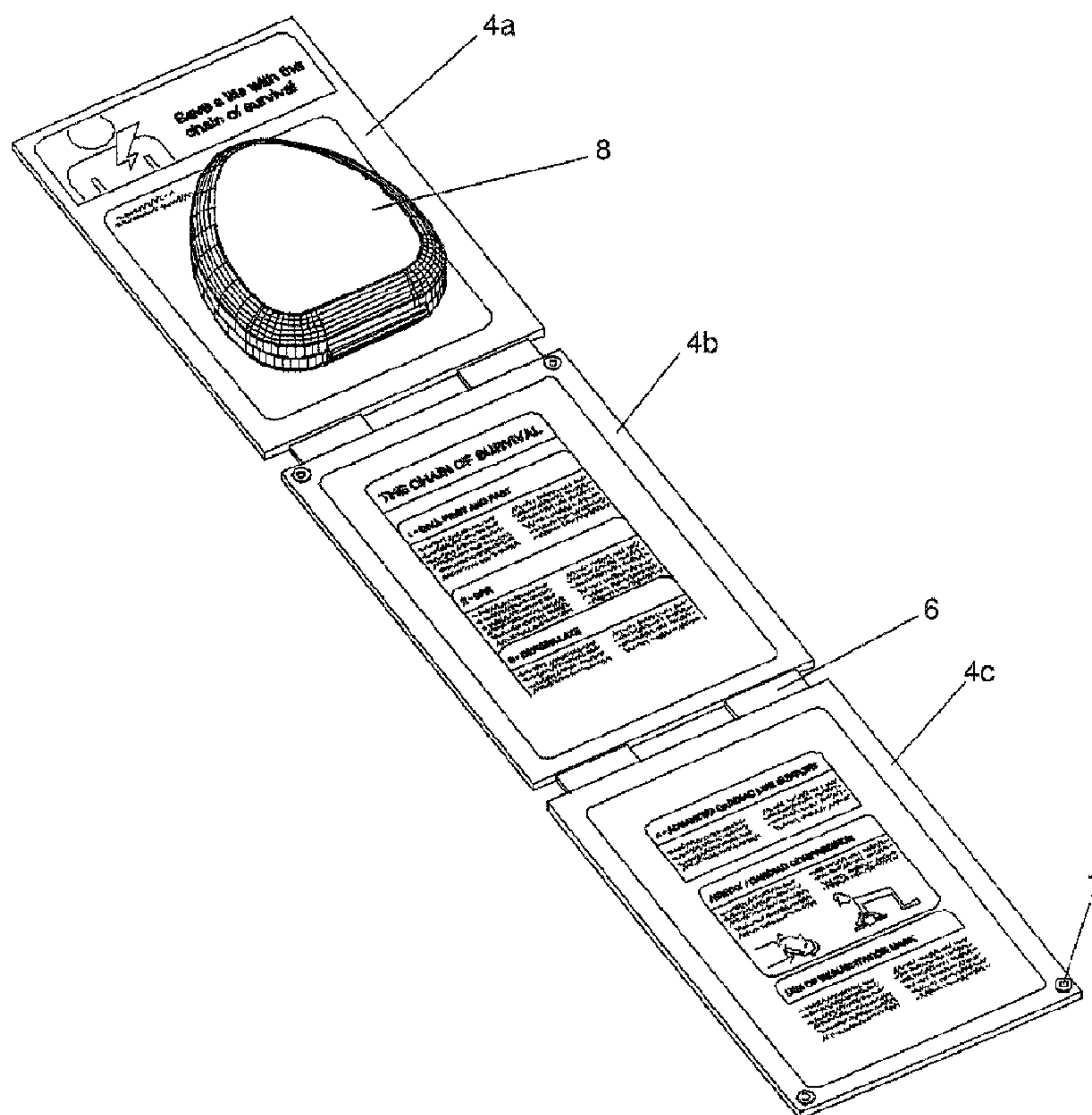




(22) Date de dépôt/Filing Date: 2003/09/17
 (41) Mise à la disp. pub./Open to Public Insp.: 2004/05/11
 (45) Date de délivrance/Issue Date: 2006/10/10
 (30) Priorités/Priorities: 2002/11/11 (AU2002100880);
 2002/11/11 (AU2002952571)

(51) Cl.Int./Int.Cl. *A61F 17/00* (2006.01),
G09F 1/04 (2006.01)
 (72) Inventeur/Inventor:
 DE PLATER, RALPH MERVYN HARRY, AU
 (73) Propriétaire/Owner:
 ARMCHECK PTY LTD, AU
 (74) Agent: SMITH, PAUL RAYMOND

(54) Titre : TROUSSE MEDICALE D'URGENCE COMPACTE
 (54) Title: COMPACT MEDICAL EMERGENCY KIT



(57) Abrégé/Abstract:

A medical emergency kit includes a collapsible medium preferably in the form of a noticeboard bearing information for addressing a medical emergency. One or more containers of medical supplies is detachably attached to the noticeboard. The noticeboard has a number of panels with hinges therebetween. The panels may be secured in a closed configuration by means of one or more magnetic regions. In an open configuration the same magnetic regions may be used to mount the medical emergency kit to an object in a high traffic area.

Abstract

A medical emergency kit includes a collapsible medium preferably in the form of a noticeboard bearing information for addressing a medical emergency. One or more containers of medical supplies is detachably attached to the noticeboard. The noticeboard has a number of panels with hinges therebetween. The panels may be secured in a closed configuration by means of one or more magnetic regions. In an open configuration the same magnetic regions may be used to mount the medical emergency kit to an object in a high traffic area.

COMPACT MEDICAL EMERGENCY KIT

FIELD OF THE INVENTION

The present invention is concerned with a compact medical kit for use in a medical
5 emergency. The invention is particularly applicable where a compact medical emergency
kit is desirable.

BACKGROUND TO THE INVENTION

Medical emergency kits are commonly known and routinely available. Such kits typically
10 include a case or wallet that holds a number of medical products. In addition, a first aid
booklet or leaflet may be enclosed containing information on how to respond to a medical
emergency and how to make use of the medical supplies provided in the kit.

In Australian Innovation Patent No. 2002100197 to the present applicant there is
described a medical emergency kit which incorporates a noticeboard bearing information
15 on how to address a particular type of medical emergency. A container is detachably
mounted to the noticeboard and contains medical supplies selected to aid in the event of
the emergency. It is intended that the noticeboard be mounted to a wall or other
permanent fixture in a location where passers-by are able to familiarise themselves with
the information on the noticeboard.

20 A problem with medical emergency kits of the type described is that they are not
readily portable. For example a person wishing to give a demonstration using such a kit
encounters difficulties in transporting a large noticeboard. Another problem is that once
mounted, it is inconvenient to remove and remount the noticeboard in another location.

It is an object of the present invention to provide a medical emergency kit which
25 addresses one or more of the above problems.

SUMMARY OF THE INVENTION

According to the present invention there is provided a medical emergency kit comprising:
a notice having a number of segments connected therebetween by hinge means
30 and bearing information concerning a medical emergency;

at least one container containing medical supplies selected to aid during said medical emergency;

detachable engagement means attaching the container to the noticeboard; and

fastening means arranged to maintain the segments in a compact configuration for transportation.

Preferably the fastening means comprises one or more magnetic regions arranged to maintain the segments in a closed configuration for transportation and to facilitate mounting of the medical emergency kit in an open configuration of the segments.

The notice may comprise a foldable information medium, such as a card, and the hinge means comprise a fold line dividing the foldable information medium into two leaves.

In a preferred embodiment of the invention the one or more magnetic regions comprise one or more magnetic patches.

The detachable engagement means may conveniently comprise a hook and loop fastener.

Preferably the notice bears an indicia that indicates the absence of one of the at least one containers and which is only visible upon detaching said one of the at least one containers from the notice.

Further preferred features of the invention will be apparent from the following detailed description which will be made with reference to a number of drawings.

BRIEF DESCRIPTION OF THE DRAWINGS

In order that this invention may be more readily understood and put into practical effect, reference will now be made to the accompanying drawings which illustrate a number of embodiments of the invention:

Figure 1 is a perspective view of an emergency kit according to an embodiment of the present invention in an open configuration.

Figure 2 is a perspective view of the emergency kit of Figure 1 in a partially collapsed configuration.

Figure 3 is a side view of the emergency kit of Figure 1 in a partially collapsed configuration.

Figure 4 is a perspective view of the emergency kit of Figure 1 in a completely collapsed configuration.

Figure 5 is a perspective view of an emergency kit according to a preferred embodiment of the present invention in a closed configuration.

5 Figure 6 is a perspective view of the emergency kit of Figure 5 in a further configuration.

Figure 7 is a perspective view of the emergency kit of Figure 5 in a semi-opened configuration.

10 Figure 8 is a perspective view of the outside of an emergency kit of Figure 5 in an open configuration.

Figure 9 is a perspective view of the inside of the emergency kit of Figure 5 in an open configuration.

Figure 10 depicts the emergency kit of Figure 5 in a mounted configuration.

Figure 11 depicts the emergency kit of Figure 5 in use.

15

DETAILED DESCRIPTION OF PREFERRED EMBODIMENT

Referring now to Figure 1, there is depicted an embodiment of a medical emergency kit according to the present invention. The medical emergency kit includes an information bearing medium in the form of multi-panel notice board. The notice board is comprised of segments in the form of panels 4a, 4b and 4c which are interconnected by hinge means comprising bendable strips 6. A container 8 is detachably connected to panel 4a, for example by means of a hook-and-loop (Velcro®) fastening system (not shown). Container 8 contains medical supplies selected to aid in the event of a medical emergency. The notice board panels 4a, 4b, 4c bear information for addressing the medical emergency such as instructions on how to apply the supplies in container 8 to a patient.

Fasteners 7 in the form of press-studs are mounted adjacent edges of each of the panels to keep the emergency kit in a collapsed configuration as will be explained.

30 Figure 2 depicts the emergency kit of Figure 1 in a partially collapsed configuration wherein hinges 6 have been partially closed to bring the three panels 4a, 4b and 4c into a folded "Z" configuration. A side view of the emergency kit in the partially collapsed state

is shown in Figure 3 It can be seen from Figure 3 that the press stud fasteners 7 approach each other as the hinges are closed.

Figure 4 shows the emergency kit of Figure 2 with the hinges further closed so that the emergency kit assumes a final compact collapsed configuration wherein it may be conveniently transported. In the configuration shown in Figure 4 press-studs 7 are mated to maintain the emergency kit in its collapsed configuration which is convenient for transportation.

In use the emergency kit is opened by pulling the press-studs apart. Container 8 may then be detached from noticeboard 4 and its contents removed for application to the patient in the manner described on the noticeboard. Extra capacity for storing medical supplies may be provided by attaching one or more additional containers to the noticeboard.

Further variations to the embodiment described thus far with reference to Figures 1-4 are possible. For example, fasteners other than press-studs might be used such as a hook-and-loop system.

Alternatively a double sided adhesive strip might be used or opposing edges of the panels might be shaped in a tongue and groove configuration adapted to secure the noticeboard in its collapsed state. It will also be understood that while the invention has been described in relation to a three panel noticeboard other numbers of panels, either fewer or greater, might also be used.

Referring now to Figure 5, a further, and preferred, embodiment of a medical emergency kit 9 according to the present invention is depicted. Kit 9 includes a container 8 affixed to a notice in the form of a card 14 comprising two segments being leaves 10 and 12 folded along a fold line 16. The leaves are maintained in the closed configuration shown by virtue of magnetic regions in the form of patches (not visible) mounted along inside free edges of each of leaves 10 and 12. Figure 6 shows kit 9 wherein container 8 has been detached and inverted to reveal complementary strips 18 and 20 of a hook and look fastening system fixed to the underside of container 8 and to leaf 10 respectively. As was also the case with the earlier described embodiment, a legend 22 is located adjacent strip 20 bearing a warning that container 8 has been removed from card 14. Legend 22 is only visible once container 8 has been detached from card 14.

Figure 7 shows kit 9 in a semi-opened configuration wherein one of the previously mentioned magnetic patches 24 is visible along the trailing edge of leaf 12.

Figure 8 shows kit 9 in a fully opened configuration revealing indicia relating to a medical emergency located on the outside of leaf 12. If further storage for medical equipment is required another container may be attached to the outside of leaf 12 in a similar matter to the fastening of container 8 to leaf 10.

Figure 9 shows the inside of leaves 10 and 12 revealing indicia providing further information for use in a medical emergency. Also visible are magnetic patches 24 and 26 which, due to their magnetic attraction to each other, secure the kit in the closed configuration illustrated in Figures 4 and 5. Alternatively, in a further embodiment leaves 10 and 12 may be made of a metallic material in which case only one of patches 24 and 26 would be required to secure closure of the kit.

In use it is intended that the kit be magnetically secured in its open configuration to a magnetically attracted object by means of magnetic patches 24 and 26. For example, as shown in Figure 10, kit 9 may be attached to the front of a refrigerator 20 in a relatively high-traffic area such as a lunchroom. Alternatively the medical emergency kit might be attached to a filing cabinet or other item of office equipment in a location where it may be readily noticed and accessed.

In the event of a medical emergency the kit may be removed from the refrigerator and notice 14 brought to its open configuration as shown in Figure 11. Container 8 may then be removed from the notice and opened to allow removal of medical supplies stored therein. In the presently illustrated case container 8 holds a resuscitation mask 30 and other items, such as gloves (not shown), for use in addressing a medical emergency. The medical supplies removed from container 8 may then be used to treat a subject of the medical emergency in accordance with the information borne by the indicia on notice 14.

In the present specification and claims, the word "comprising" and its derivatives including "comprises" and "comprise" is intended to include each of the stated integers but does not exclude the inclusion of one or more further integers.

Various changes and modifications to the embodiments described herein will be apparent to those skilled in the art. Such changes and modifications can be made

without departing from the spirit and scope of the present invention and without compromising its object. It is therefore intended that such changes and modifications be covered by the appended claims.

CLAIMS:

1. **A medical emergency kit comprising:
a notice having a number of segments connected therebetween by hinge means and bearing information concerning a medical emergency;
at least one container containing medical supplies selected to aid during said medical emergency;
detachable engagement means attaching the container to the noticeboard; and
fastening means arranged to maintain the segments in a compact configuration for transportation, the fastening means comprising one or more magnetic regions arranged to maintain the segments in a closed configuration for transportation and to facilitate mounting of the medical emergency kit on a magnetically attracted surface in an open configuration of the segments.**
2. **A medical emergency kit according to claim 1, wherein the notice comprises a foldable information medium and the hinge means comprises a fold line dividing the medium into two leaves.**
3. **A medical emergency kit according to claim 1 or claim 2, wherein the one or more magnetic regions comprise one or more magnetic patches.**
4. **A medical emergency kit according to claim 1, 2 or 3, wherein the detachable engagement means comprises a hook and loop fastener.**
5. **A medical emergency kit according to claim 1, 2, 3 or 4 wherein the notice bears an indicia that indicates the absence of one of the at least one containers and which is only visible upon detaching said one of the at least one containers from the notice.**

6. A medical emergency kit comprising:

a notice having a number of segments connected therebetween by hinge means and bearing information concerning a medical emergency;

one or more containers containing medical supplies selected to aid during said medical emergency;

detachable engagement means attaching the container to the noticeboard; and

fastening means arranged to maintain the segments in a compact configuration for transportation, the fastening means comprising one or more magnetic regions arranged to maintain the segments in a closed configuration for transportation and to facilitate mounting of the medical emergency kit on a magnetically attracted surface in an open configuration of the segments;

wherein the notice bears an indicia that indicates the absence of one of the one or more containers and which is only visible upon detaching said one of the one or more containers from the notice.

1/11

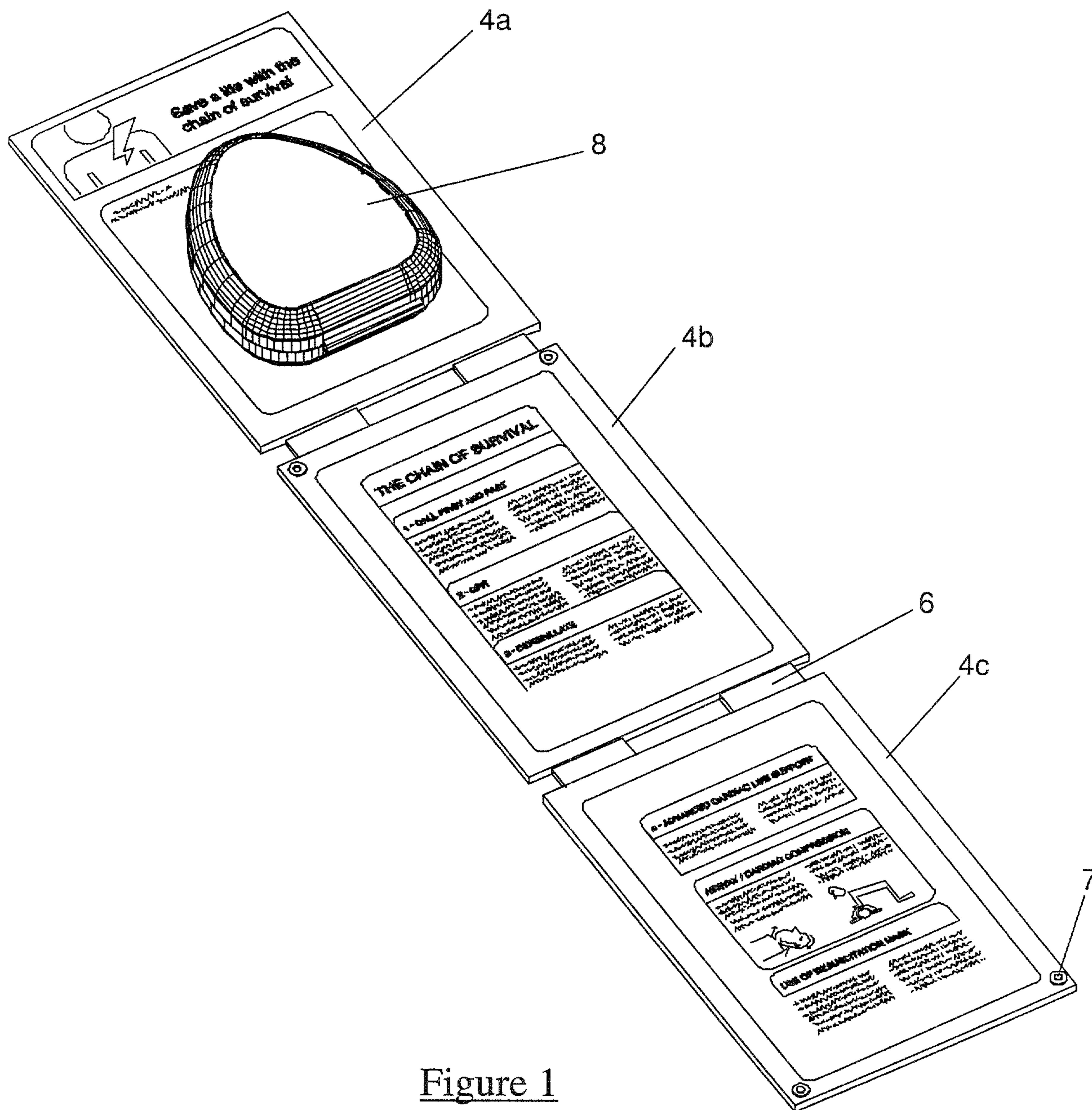


Figure 1

2/11

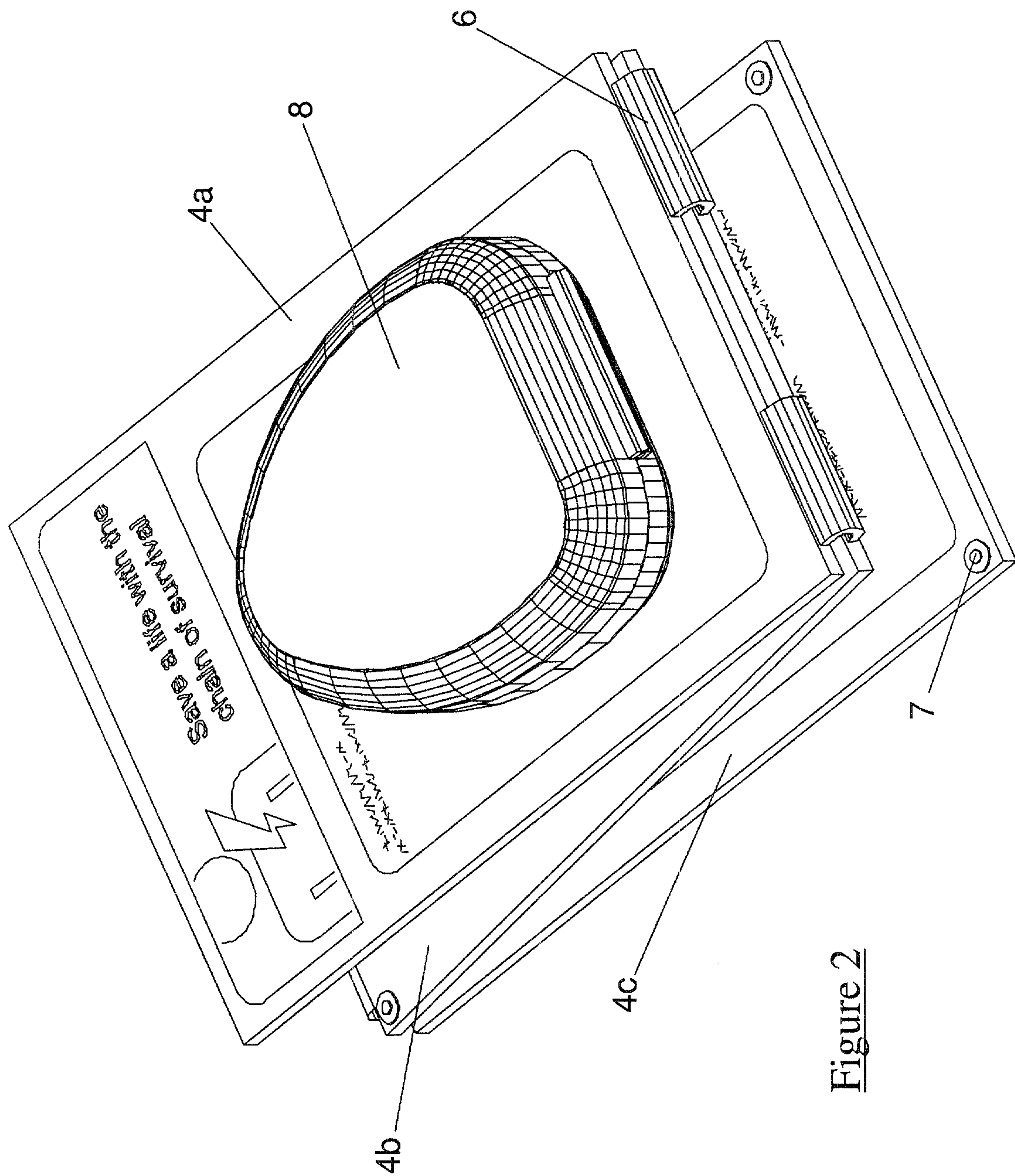


Figure 2

3/11

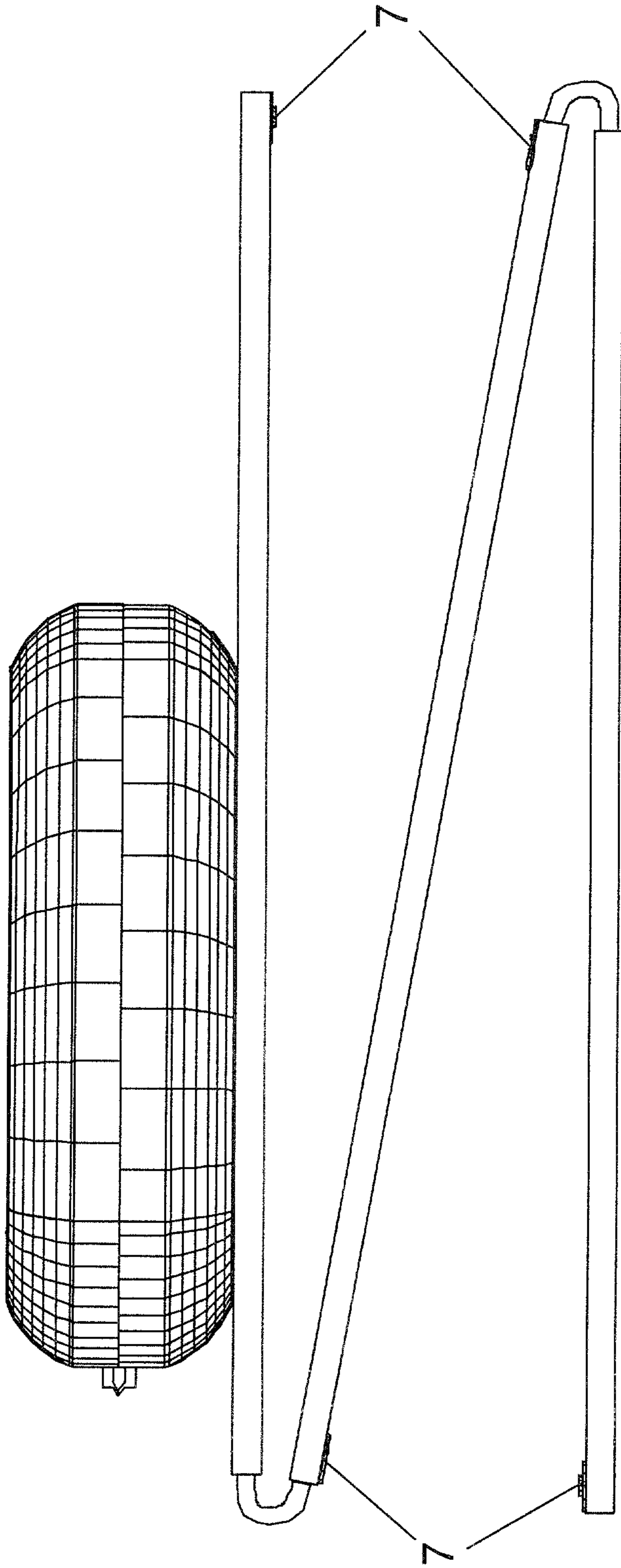


Figure 3

4/11

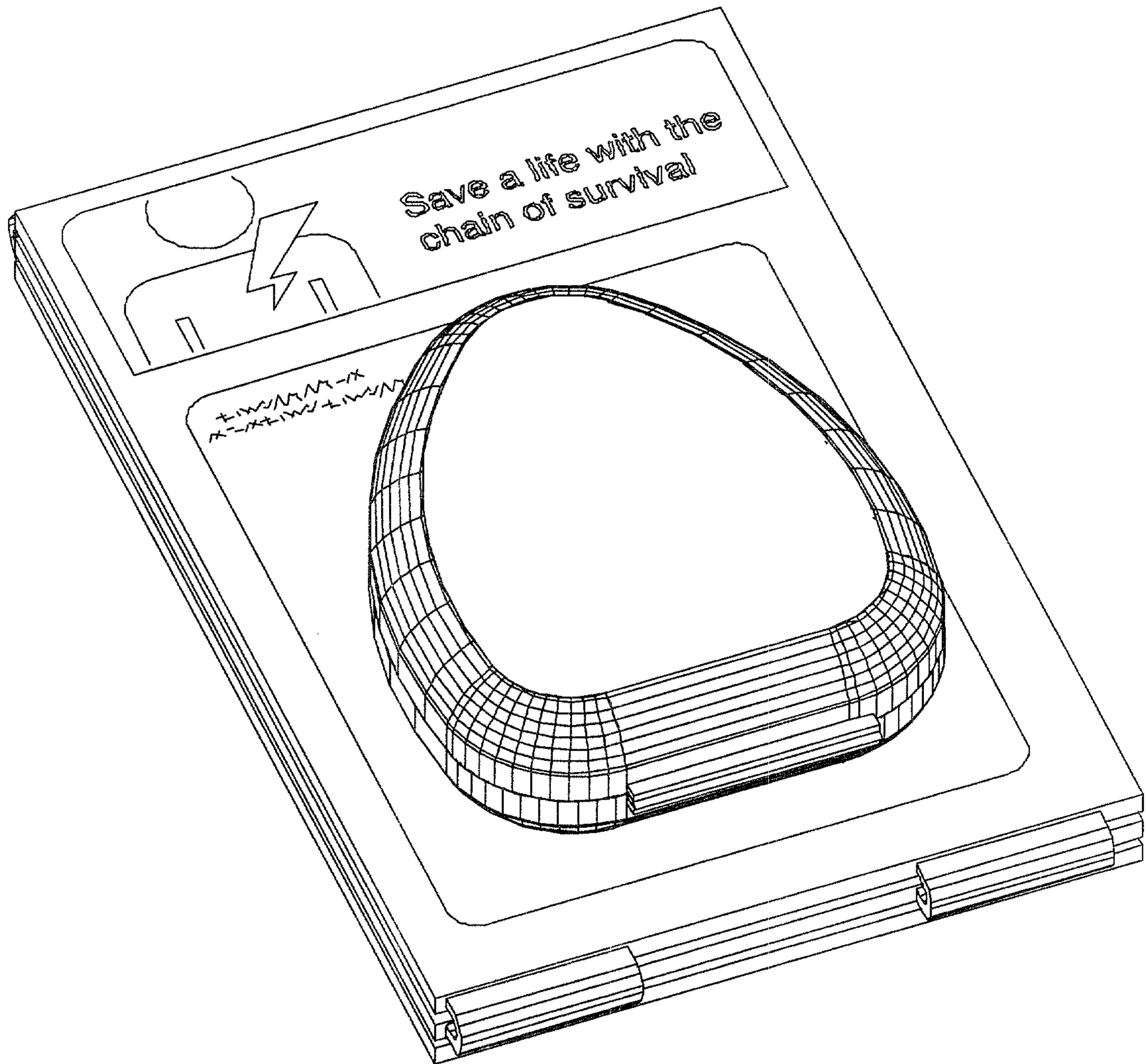


Figure 4

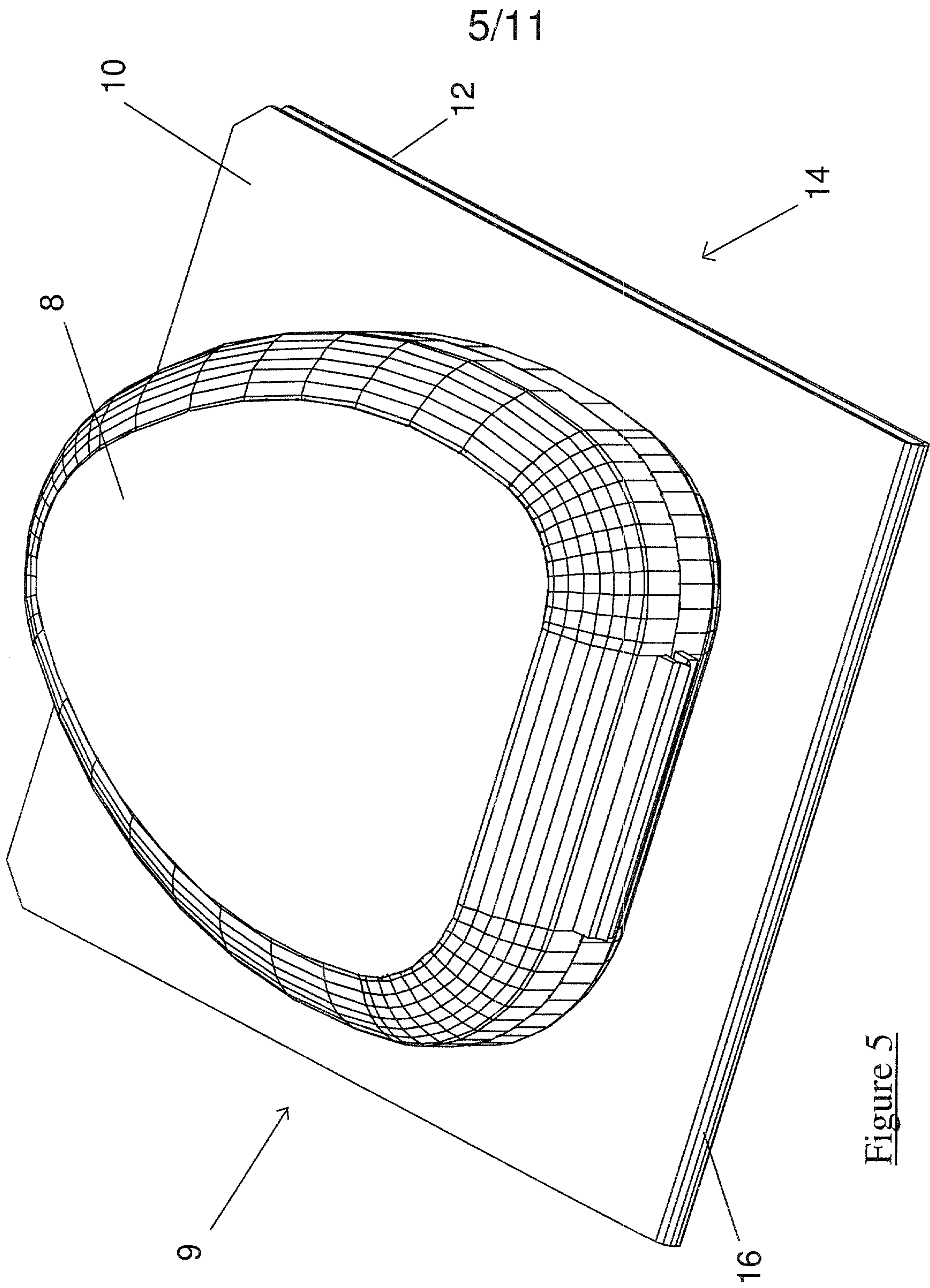


Figure 5

6/11

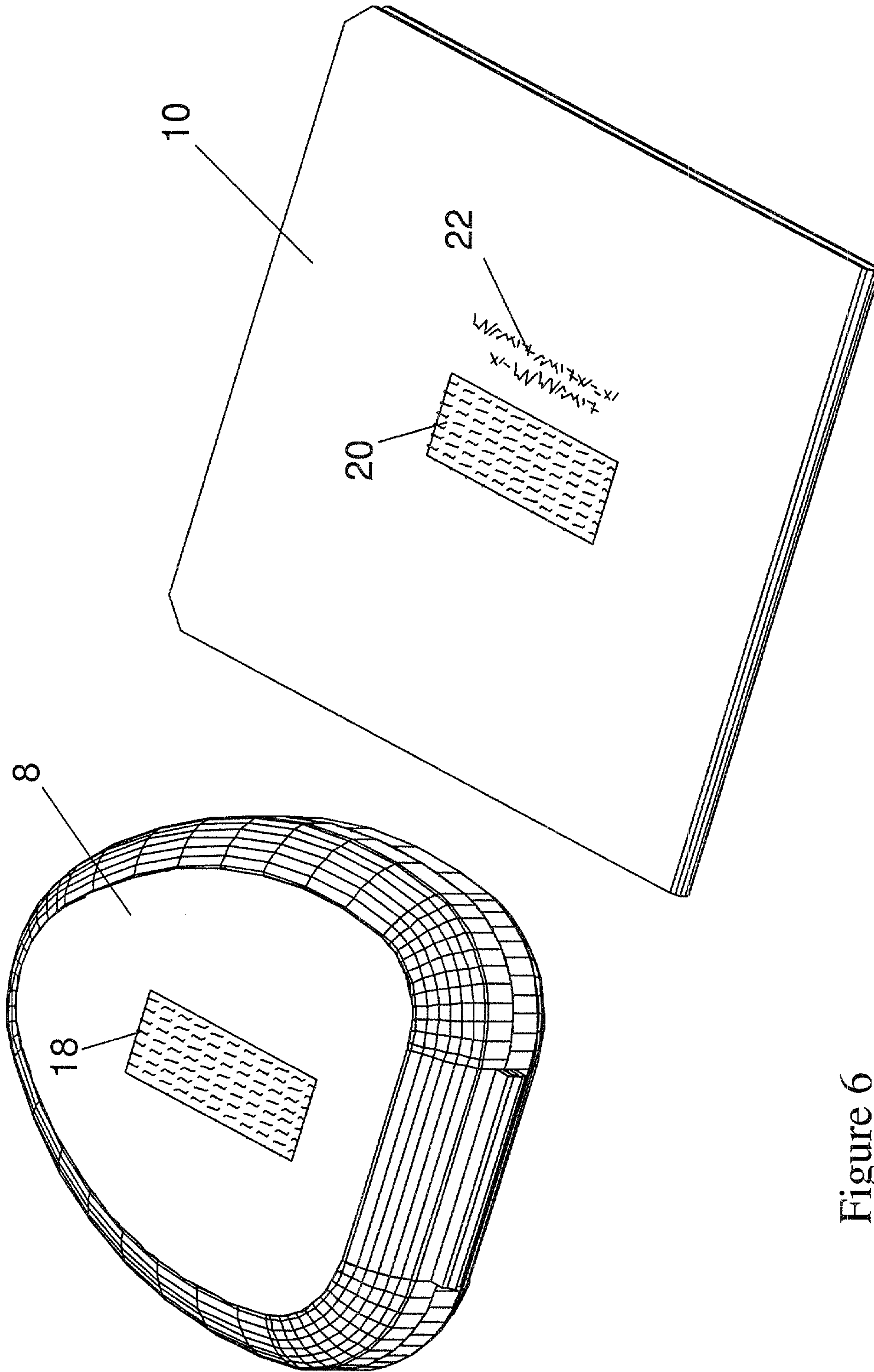


Figure 6

7/11

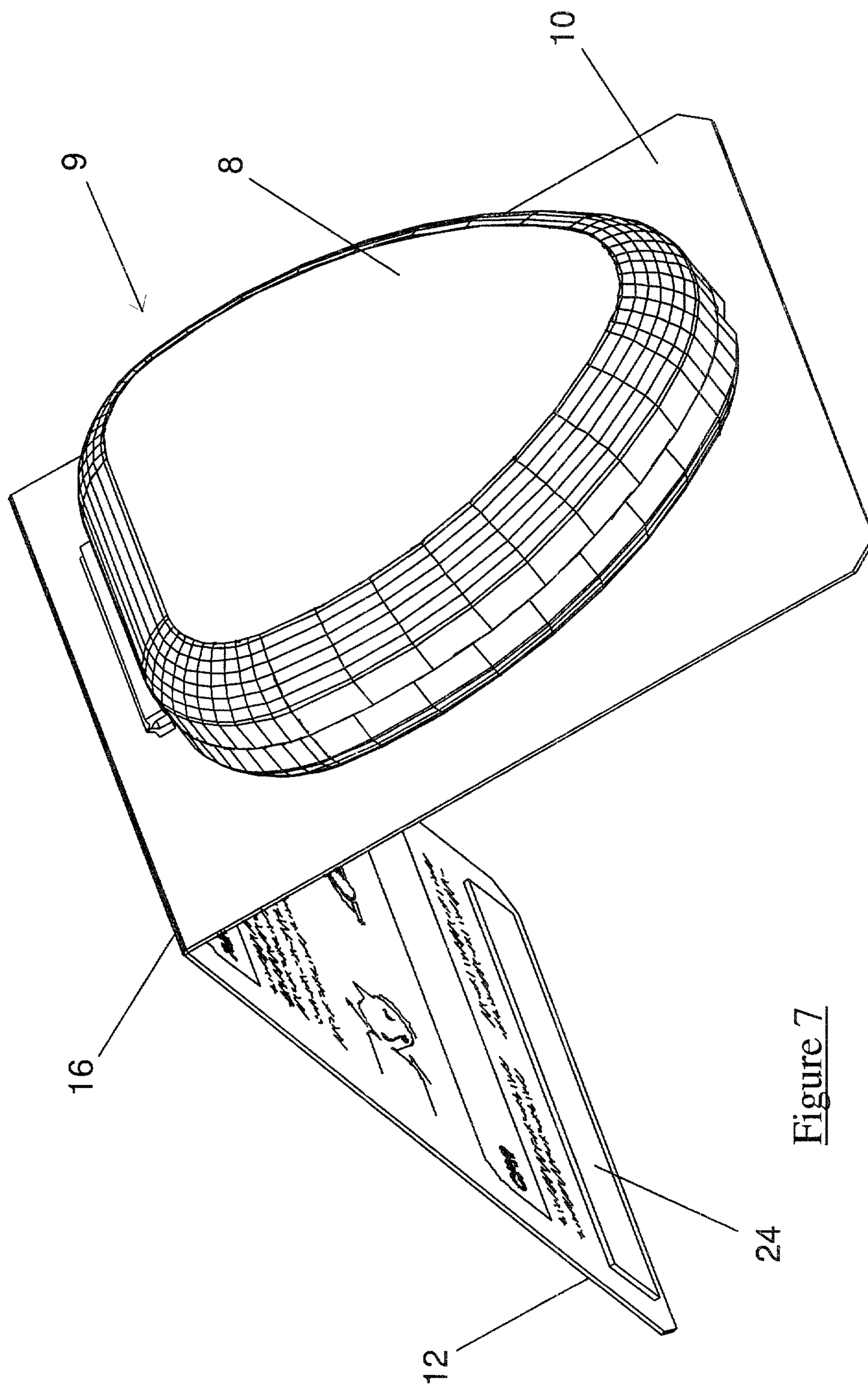


Figure 7

8/11

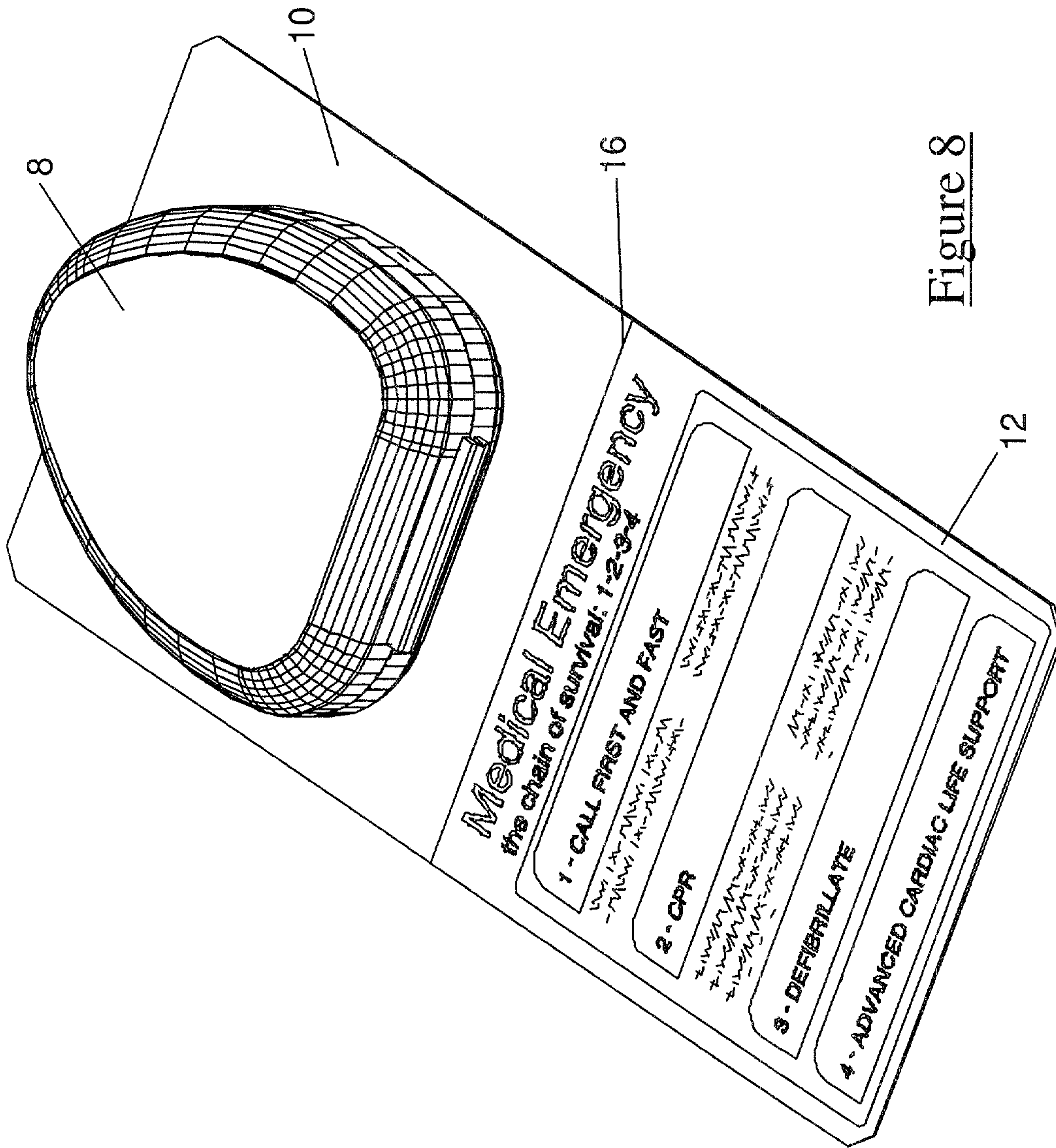


Figure 8

9/11

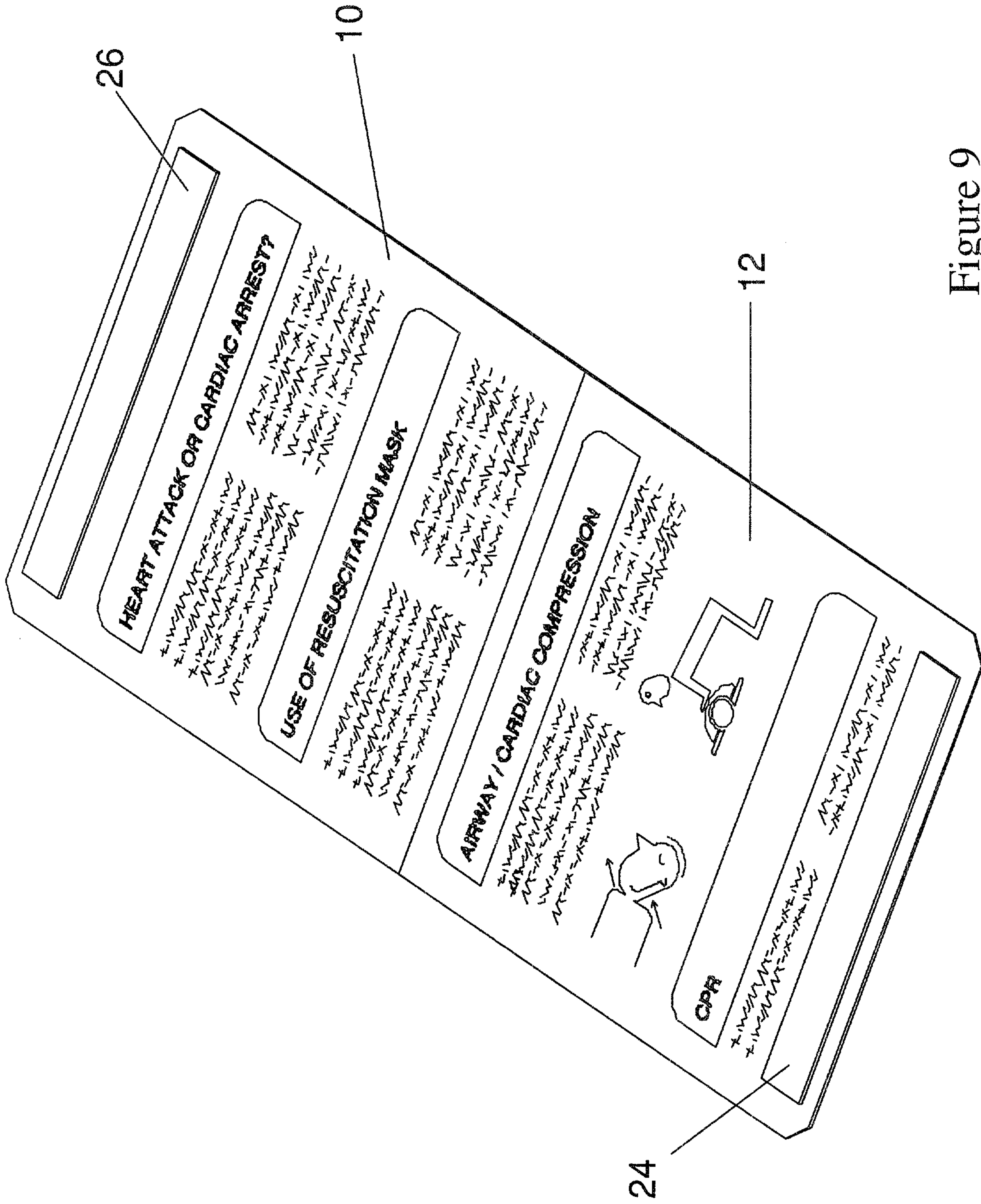


Figure 9

10/11

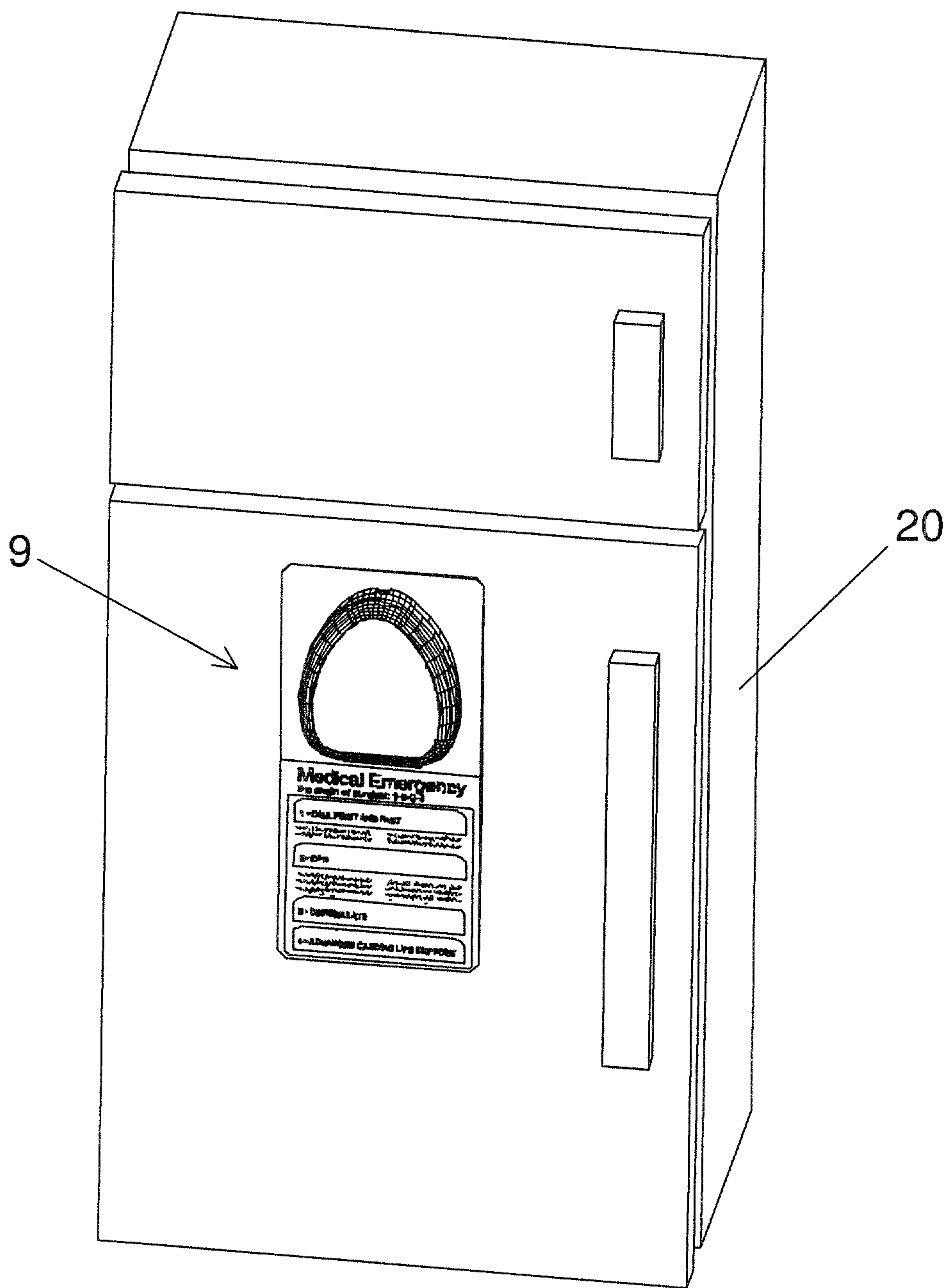


Figure 10

11/11

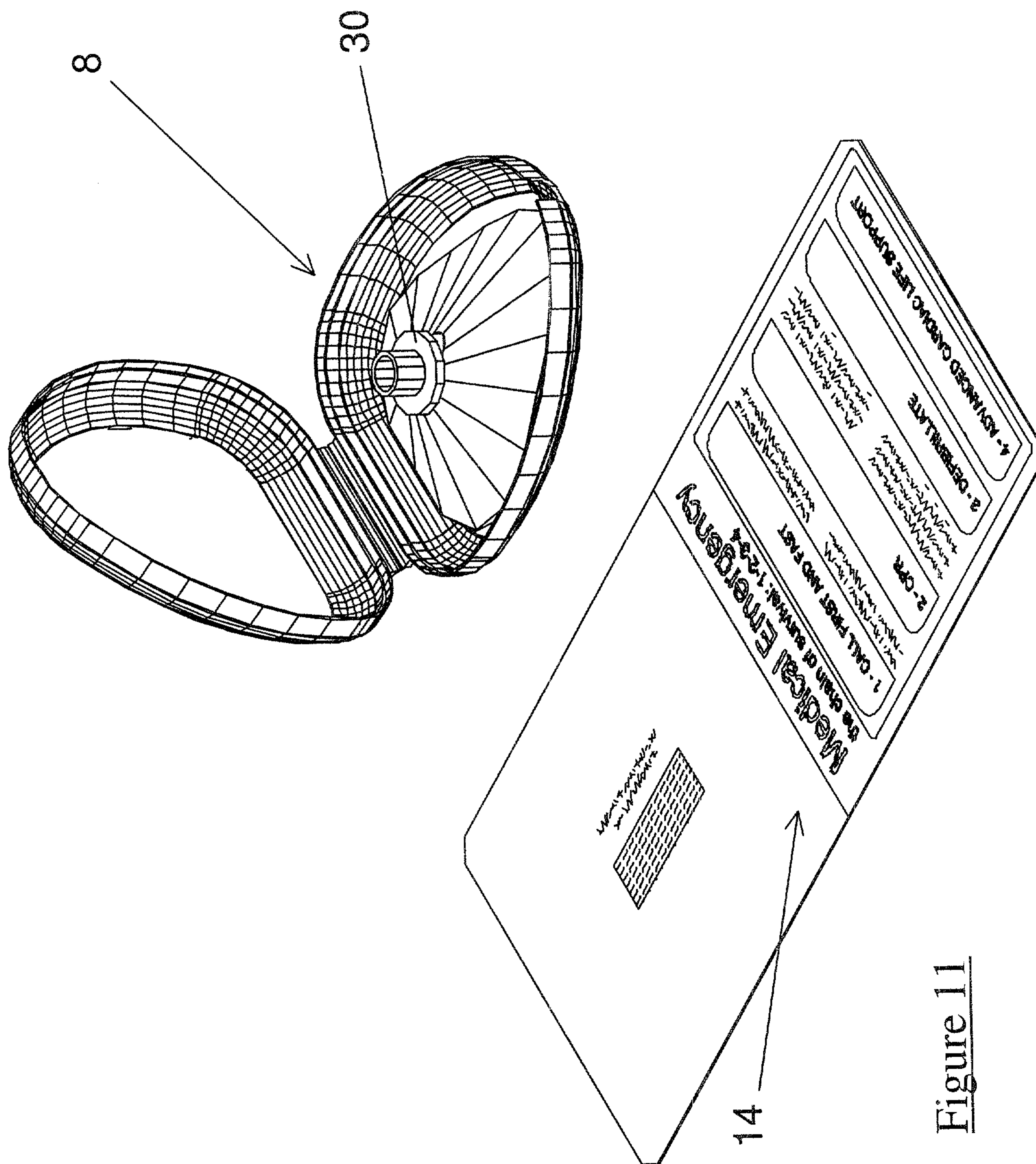


Figure 11

