



(12) **EUROPEAN PATENT APPLICATION**

(88) Date of publication A3:
14.01.2004 Bulletin 2004/03

(51) Int Cl.7: **A45D 40/06**

(43) Date of publication A2:
19.03.2003 Bulletin 2003/12

(21) Application number: **02256436.3**

(22) Date of filing: **17.09.2002**

(84) Designated Contracting States:
**AT BE BG CH CY CZ DE DK EE ES FI FR GB GR
IE IT LI LU MC NL PT SE SK TR**
Designated Extension States:
AL LT LV MK RO SI

- **Hiroshi, Yamazaki, c/o Hidan Co., Ltd.
Kashiwa-shi, Chiba-ken (JP)**
- **Yutaka, Mihara, c/o Hidan Co., Ltd.
Kashiwa-shi, Chiba-ken (JP)**

(30) Priority: **18.09.2001 JP 2001283883**

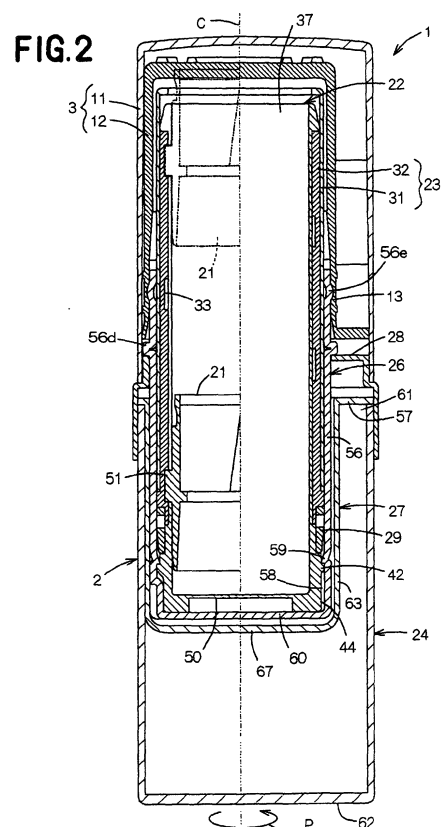
(74) Representative:
**Murgatroyd, Susan Elizabeth et al
Baron & Warren,
19 South End
Kensington, London W8 5BU (GB)**

(71) Applicant: **Hidan Co., Ltd.
Kashiwa-shi, Chiba-ken (JP)**

(72) Inventors:
• **Satoru, Naramoto, c/o Hidan Co., Ltd.
Kashiwa-shi, Chiba-ken (JP)**

(54) **Thrust-out type container for a rod-like article**

(57) Here is disclosed a thrust-out type container for a rod-like article such as a lipstick basically comprising a body 2 and a cap 3. The body 2 has an axis C extending in a vertical direction and comprises, around the axis C and radially outward from the axis C, a movable member 21, an inner cylindrical tube 22, an outer cylindrical tube 23 and a control tube 24 in this order. An intermediate cylindrical tube 26 is interposed between the outer cylindrical tube 23 and the control tube 24. The intermediate cylindrical tube 26 is fixed to the control tube 24 and rotatable around the outer cylindrical tube 23. An outer peripheral surface of the intermediate cylindrical tube 26 and an inner peripheral surface of the cap 3 come in air-tight contact with each other. The intermediate cylindrical tube 26 extends downward beyond respective lower ends of the inner and outer cylindrical tubes 22, 23 and has a bottom 60 covering the respective lower ends of these tubes 22, 23.





European Patent
Office

EUROPEAN SEARCH REPORT

Application Number
EP 02 25 6436

DOCUMENTS CONSIDERED TO BE RELEVANT			
Category	Citation of document with indication, where appropriate, of relevant passages	Relevant to claim	CLASSIFICATION OF THE APPLICATION (Int.Cl.7)
X	FR 2 769 809 A (REXAM REBOUL) 23 April 1999 (1999-04-23)	1-4	A45D40/06
Y	* page 3, line 1-22; figure 1 * ---	5,6	
Y	EP 0 815 767 A (AKRONIMEX S R L) 7 January 1998 (1998-01-07) * column 2, line 4 - column 6, line 24 * ---	5,6	
Y	EP 0 483 418 A (BRIDGEPORT METAL GOODS MFG CO) 6 May 1992 (1992-05-06) * column 3, line 53 - column 4, line 2 * ---	5,6	
A	EP 0 428 794 A (KANEBO LTD) 29 May 1991 (1991-05-29) * column 6, line 5 - column 9, line 40 * -----	1-4	
The present search report has been drawn up for all claims			TECHNICAL FIELDS SEARCHED (Int.Cl.7)
			A45D A45C
Place of search	Date of completion of the search	Examiner	
MUNICH	25 November 2003	Koob, M	
CATEGORY OF CITED DOCUMENTS			
X : particularly relevant if taken alone Y : particularly relevant if combined with another document of the same category A : technological background O : non-written disclosure P : intermediate document		T : theory or principle underlying the invention E : earlier patent document, but published on, or after the filing date D : document cited in the application L : document cited for other reasons & : member of the same patent family, corresponding document	

EPO FORM 1503 03.82 (P/MC01)

**ANNEX TO THE EUROPEAN SEARCH REPORT
ON EUROPEAN PATENT APPLICATION NO.**

EP 02 25 6436

This annex lists the patent family members relating to the patent documents cited in the above-mentioned European search report. The members are as contained in the European Patent Office EDP file on
The European Patent Office is in no way liable for these particulars which are merely given for the purpose of information.

25-11-2003

Patent document cited in search report		Publication date	Patent family member(s)	Publication date
FR 2769809	A	23-04-1999	FR 2769809 A3	23-04-1999
EP 0815767	A	07-01-1998	IT MI961275 A1	24-12-1997
			AT 228787 T	15-12-2002
			CA 2208614 A1	24-12-1997
			DE 69717546 D1	16-01-2003
			DE 69717546 T2	20-11-2003
			EP 0815767 A1	07-01-1998
			ES 2188854 T3	01-07-2003
			US 5904431 A	18-05-1999
EP 0483418	A	06-05-1992	US 5000601 A	19-03-1991
			EP 0483418 A1	06-05-1992
EP 0428794	A	29-05-1991	US 4961663 A	09-10-1990
			EP 0428794 A1	29-05-1991
			ES 2055102 T3	16-08-1994