



US00D622656S

(12) **United States Design Patent**
Ohashi

(10) **Patent No.:** **US D622,656 S**

(45) **Date of Patent:** **** Aug. 31, 2010**

(54) **AUTOMOBILE TIRE**

D612,321 S * 3/2010 Bott et al. D12/519

(75) Inventor: **Toshiyuki Ohashi**, Osaka (JP)

FOREIGN PATENT DOCUMENTS

(73) Assignee: **Toyo Tire & Rubber Co., Ltd.**,
Osaka-shi (JP)

JP 1328929 S 5/2008

* cited by examiner

(**) Term: **14 Years**

Primary Examiner—Stacia Cadmus

(21) Appl. No.: **29/355,892**

(74) *Attorney, Agent, or Firm*—Westerman, Hattori, Daniels & Adrian, LLP

(22) Filed: **Feb. 16, 2010**

(57) **CLAIM**

(30) **Foreign Application Priority Data**

The ornamental design for an automobile tire, as shown and described.

Aug. 19, 2009 (JP) 2009-018915

DESCRIPTION

(51) **LOC (9) Cl.** **12-15**

FIG. 1 is a front view thereof;

(52) **U.S. Cl.** **D12/519**

FIG. 2 is a rear view thereof;

(58) **Field of Classification Search** D12/505-532,
D12/900-901; 152/209.1, 209.8-209.19,
152/209.25-209.28, 455-456

FIG. 3 is a left side view thereof;

See application file for complete search history.

FIG. 4 is a right side view thereof;

FIG. 5 is a top view thereof;

FIG. 6 is a perspective view thereof;

(56) **References Cited**

U.S. PATENT DOCUMENTS

FIG. 7 is an enlarged cross-sectional view taken along line 7-7 in FIG. 1; and,

D515,018 S * 2/2006 Umstot et al. D12/517

FIG. 8 is an enlarged tread view taken along the line B1-B2 of FIG. 1, in the part 8-8 of FIG. 4.

D582,339 S * 12/2008 Kang D12/519

The broken lines illustrate environmental structure and form no part of the claimed design.

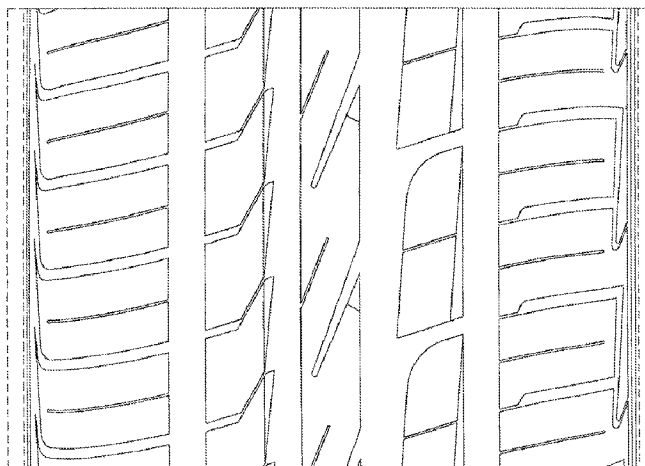
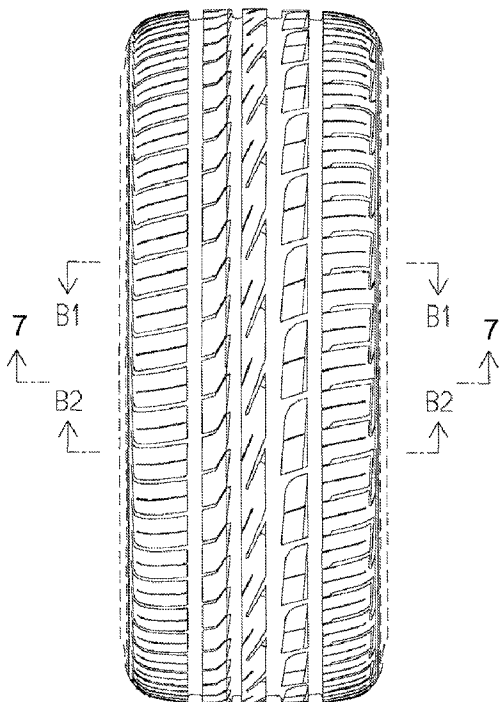
D595,636 S * 7/2009 Miyazaki D12/519

1 Claim, 8 Drawing Sheets

D597,926 S * 8/2009 Takahashi D12/519

D602,846 S * 10/2009 Park et al. D12/519

D602,847 S * 10/2009 Lee et al. D12/519



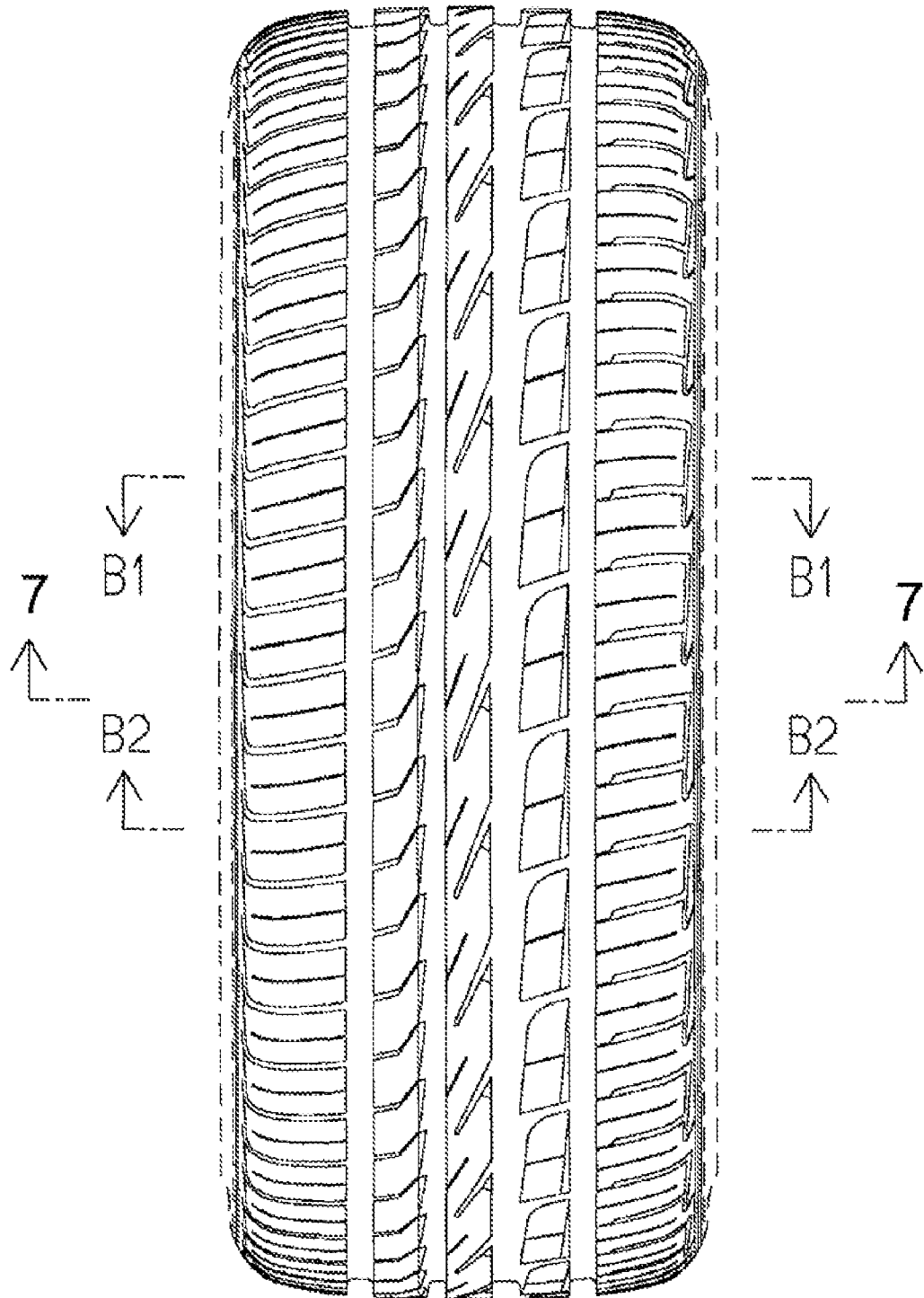


FIG.1

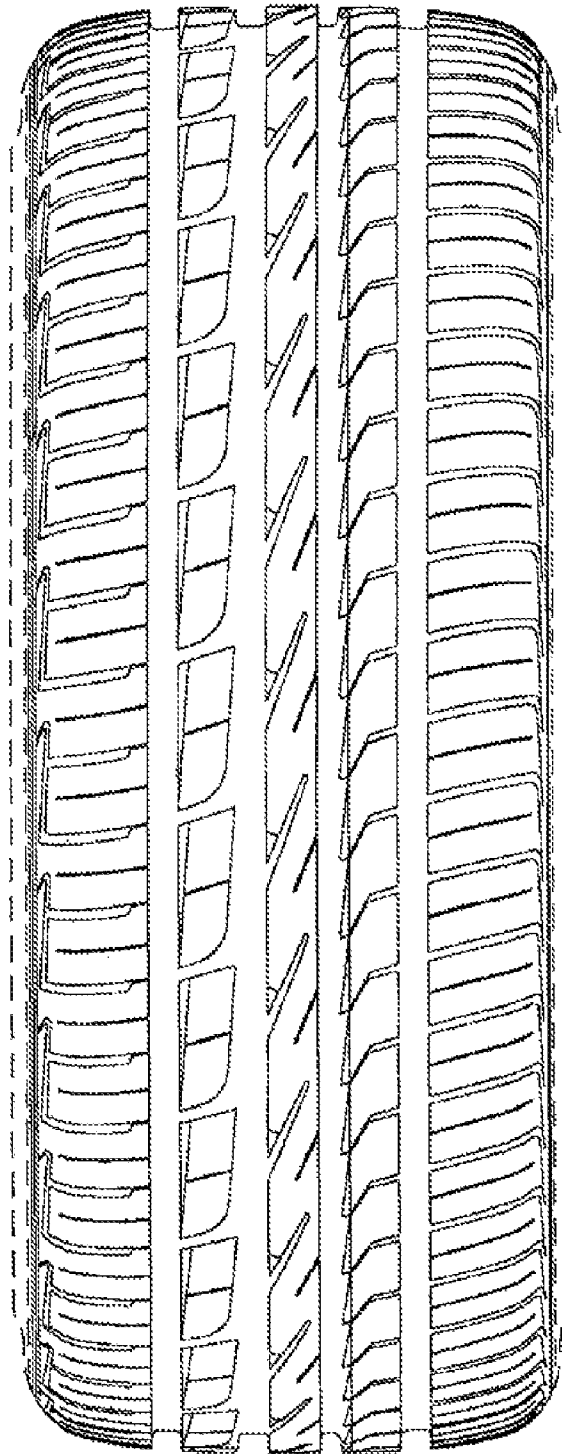


FIG.2

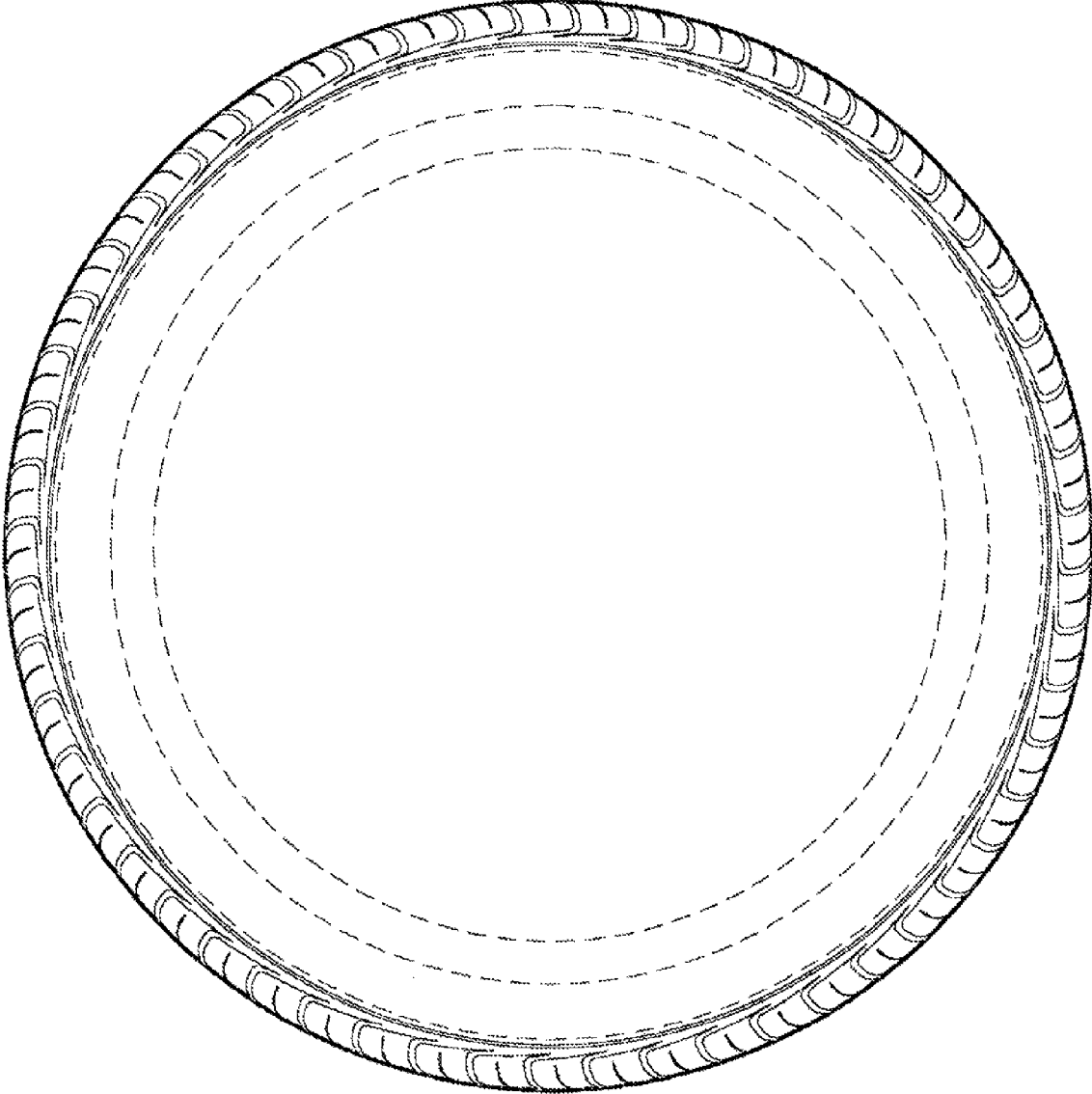


FIG.3

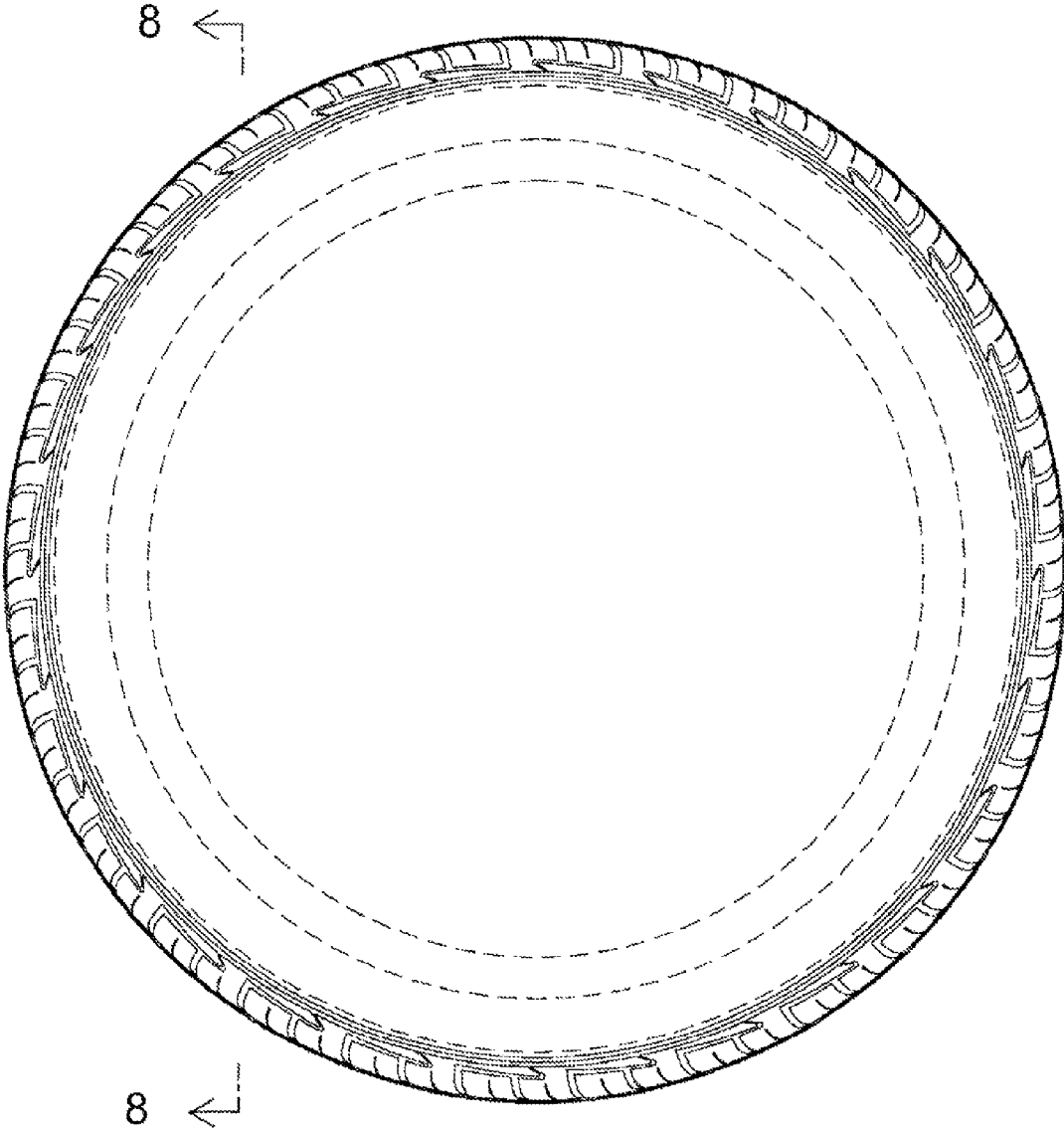


FIG.4

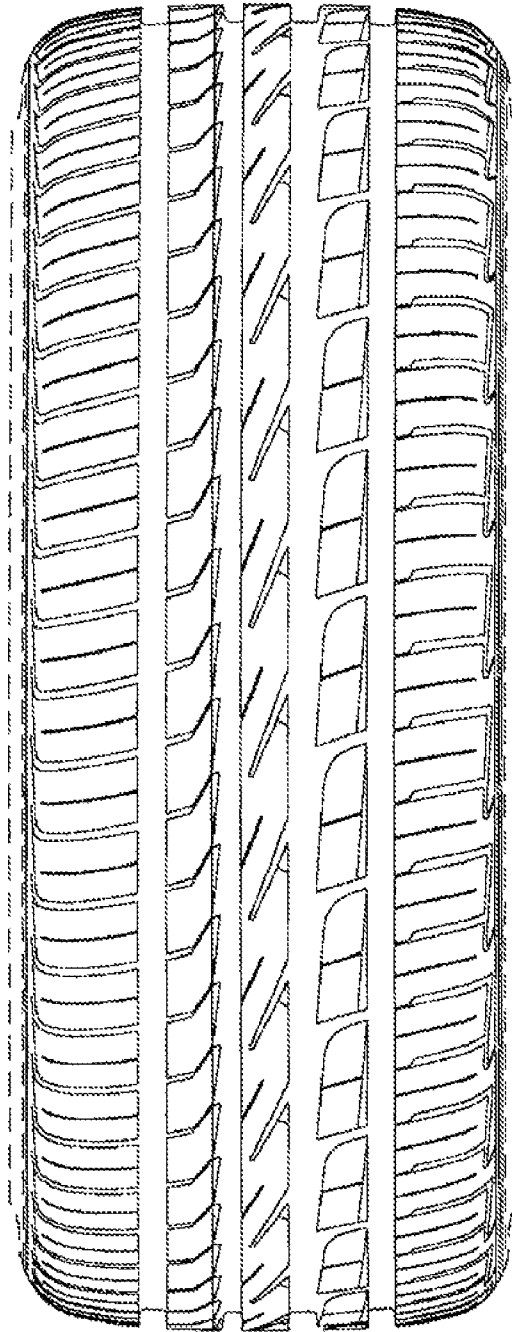


FIG.5

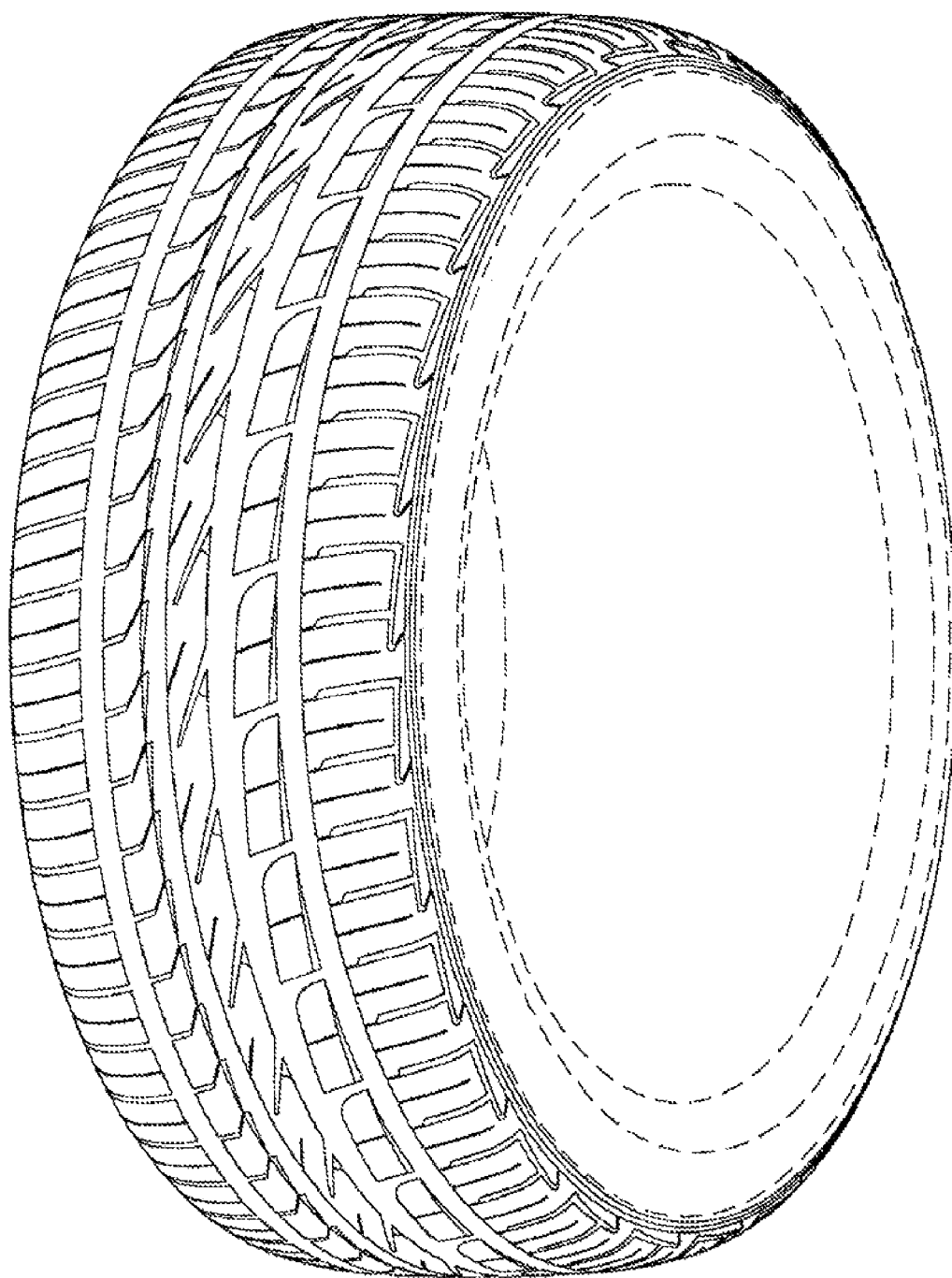


FIG.6

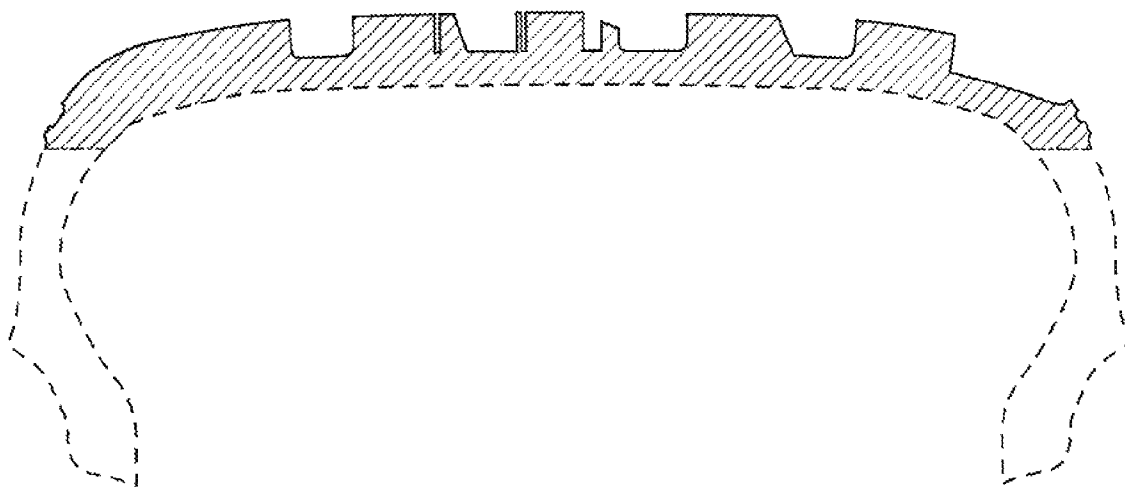


FIG.7

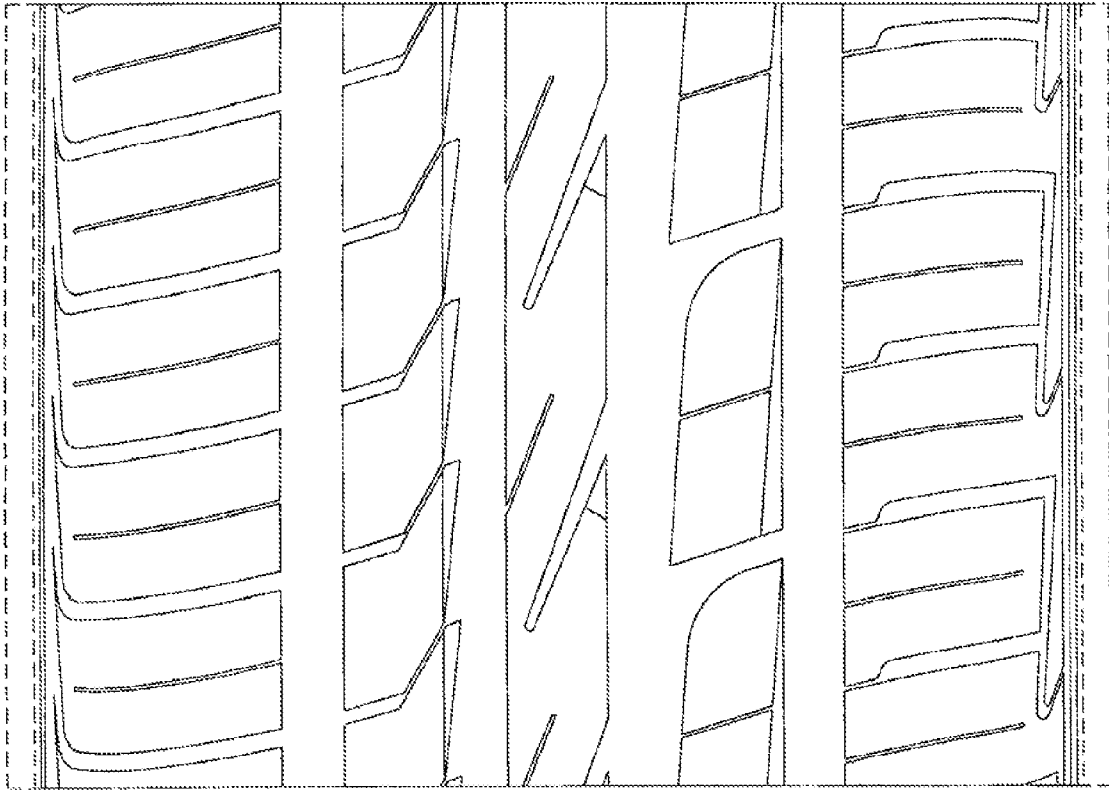


FIG.8