



US 20180093826A1

(19) **United States**

(12) **Patent Application Publication**
BOYEA

(10) **Pub. No.: US 2018/0093826 A1**

(43) **Pub. Date: Apr. 5, 2018**

(54) **EXTENDER FOR RECEPTACLE AND METHOD THEREOF**

Publication Classification

(71) Applicant: **CHRISTOPHER E. BOYEA**, BURNT HILLS, NY (US)

(51) **Int. Cl.**
B65F 1/10 (2006.01)
B65F 1/04 (2006.01)
B65F 1/14 (2006.01)

(72) Inventor: **CHRISTOPHER E. BOYEA**, BURNT HILLS, NY (US)

(52) **U.S. Cl.**
CPC *B65F 1/10* (2013.01); *B65F 1/1473* (2013.01); *B65F 1/04* (2013.01)

(21) Appl. No.: **15/831,600**

(57) **ABSTRACT**

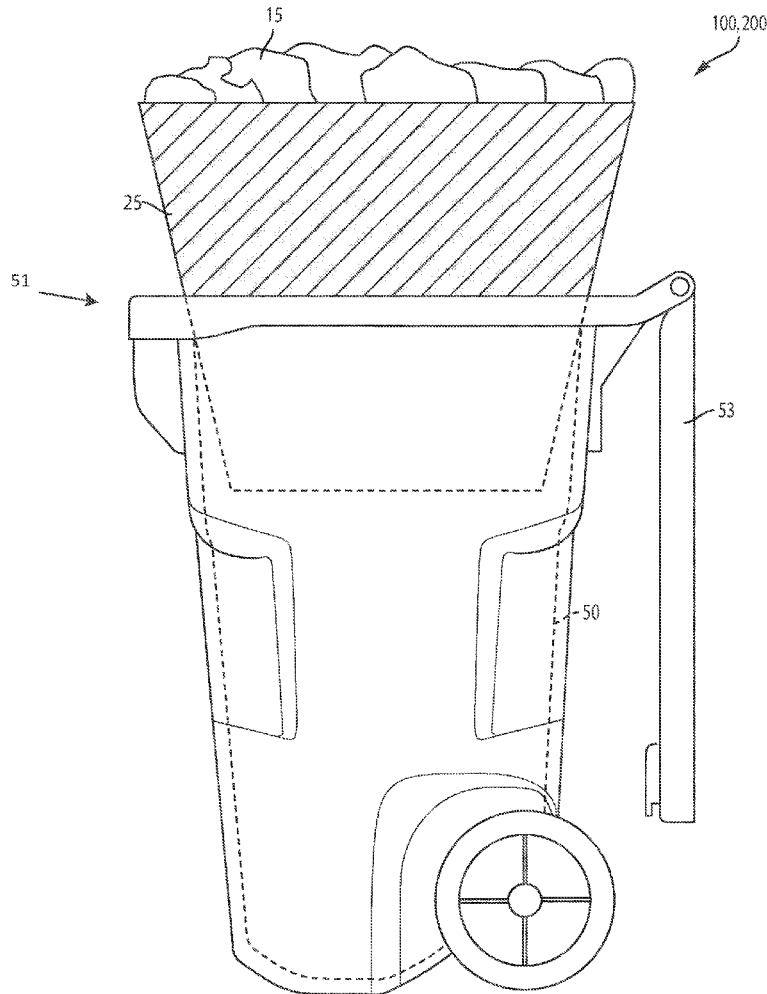
(22) Filed: **Dec. 5, 2017**

A method and apparatus including a garbage can, the garbage can having a lid and sized and dimensioned to be manipulated by a garbage truck, wherein the garbage can includes a substantially rigid body and a closed bottom, and an extender permanently coupled to the lid of the garbage can, the extender including a plurality of walls, wherein, when in a first position, the plurality of walls are collapsed into a flat position on the lid of the garbage can, and when in a second position, the plurality of walls are in an upright position defining an interior space for receiving waste materials, is provided.

Related U.S. Application Data

(63) Continuation of application No. 15/672,503, filed on Aug. 9, 2017, Continuation of application No. 14/818,175, filed on Aug. 4, 2015, now Pat. No. 9,783,362.

(60) Provisional application No. 62/032,875, filed on Aug. 4, 2014.



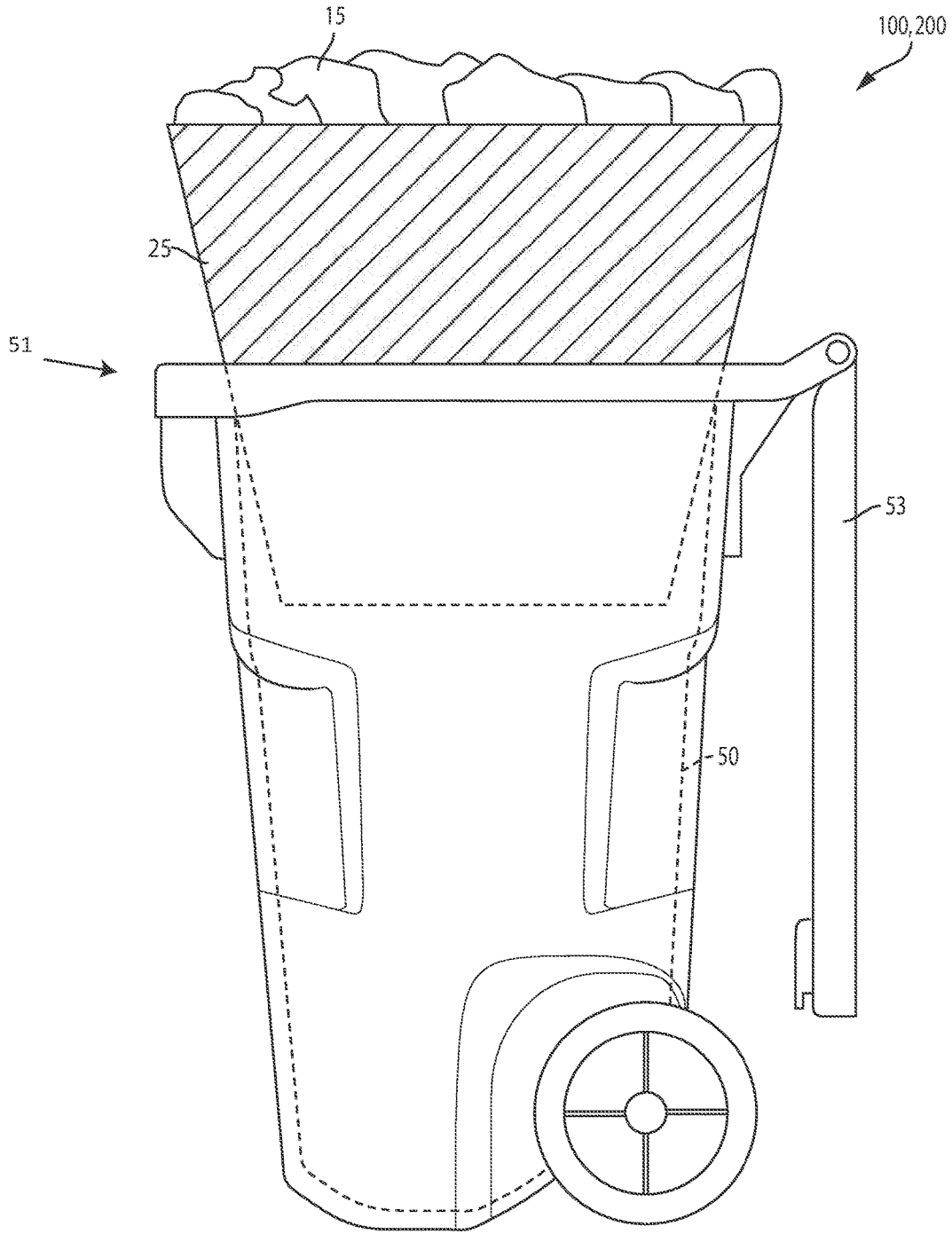


FIG. 1

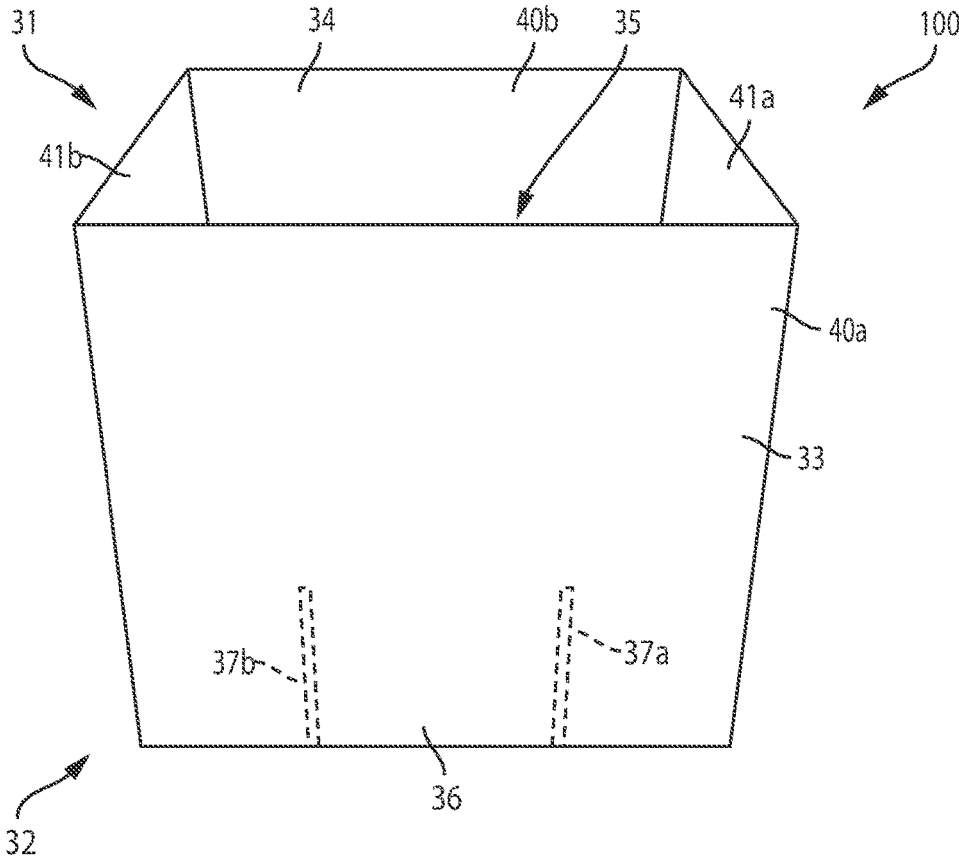


FIG. 2

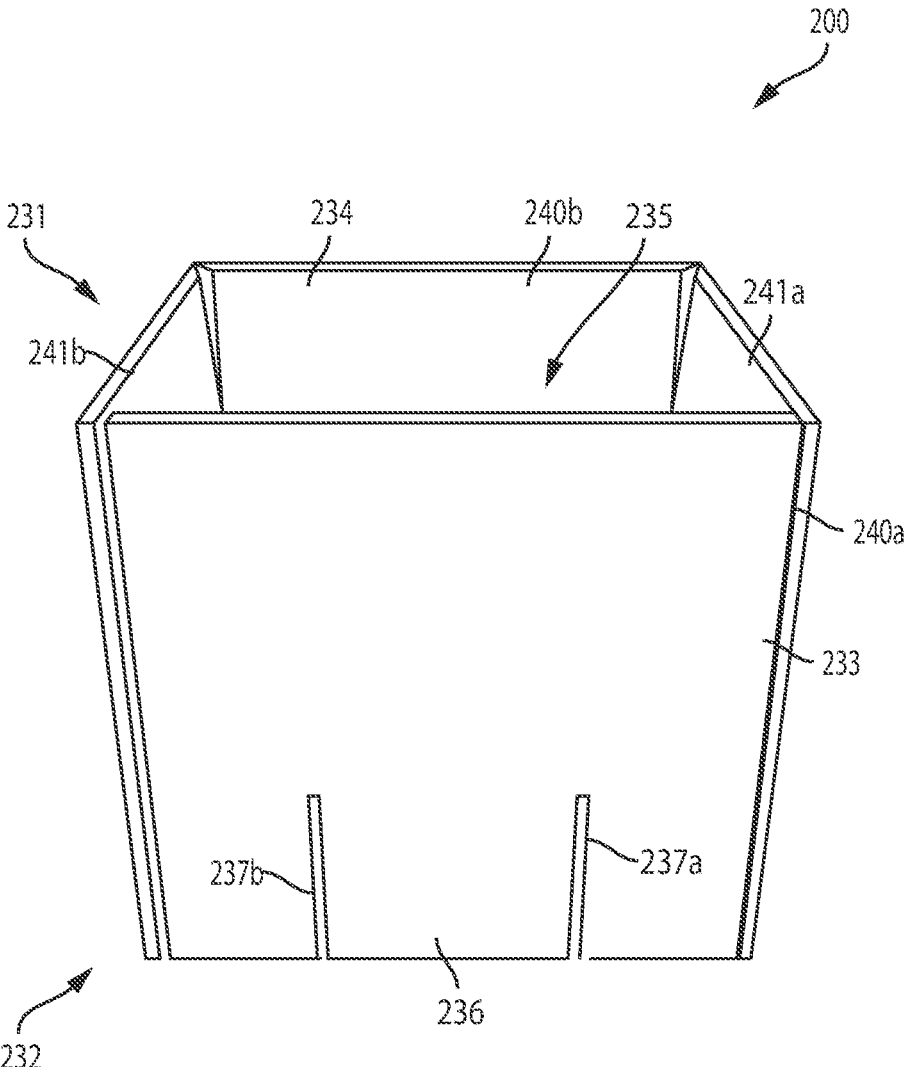


FIG. 3

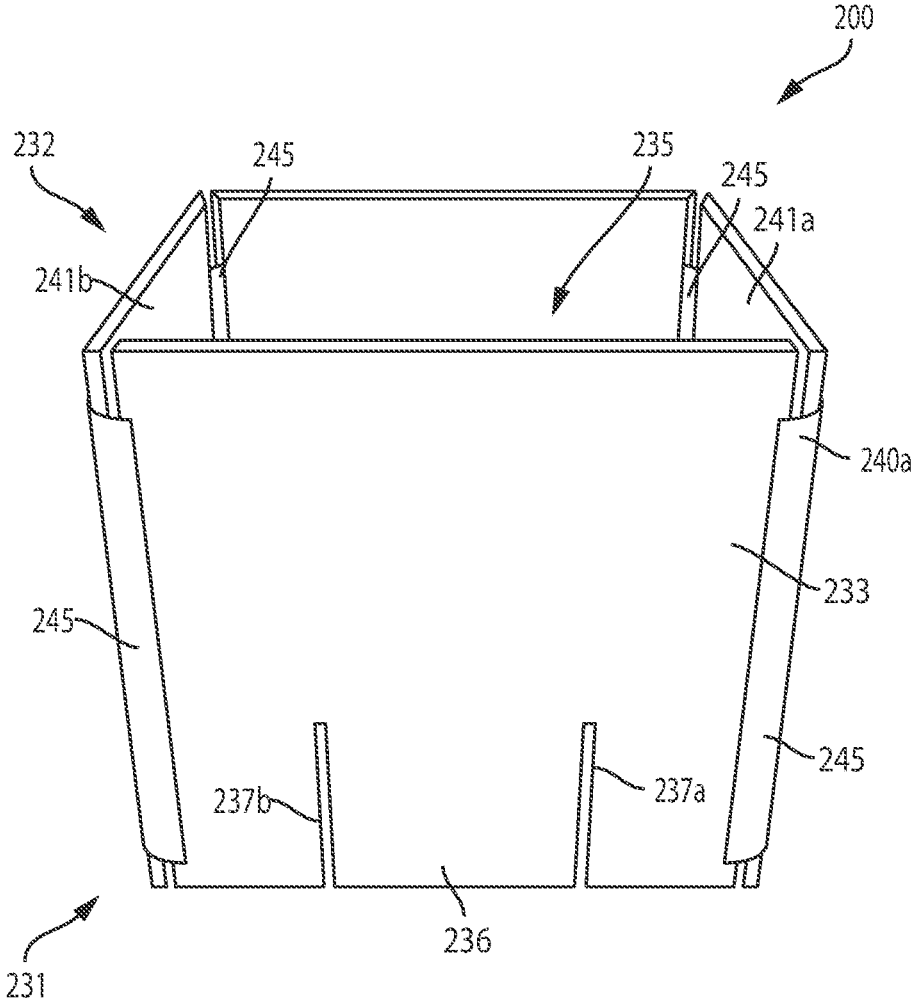


FIG. 4

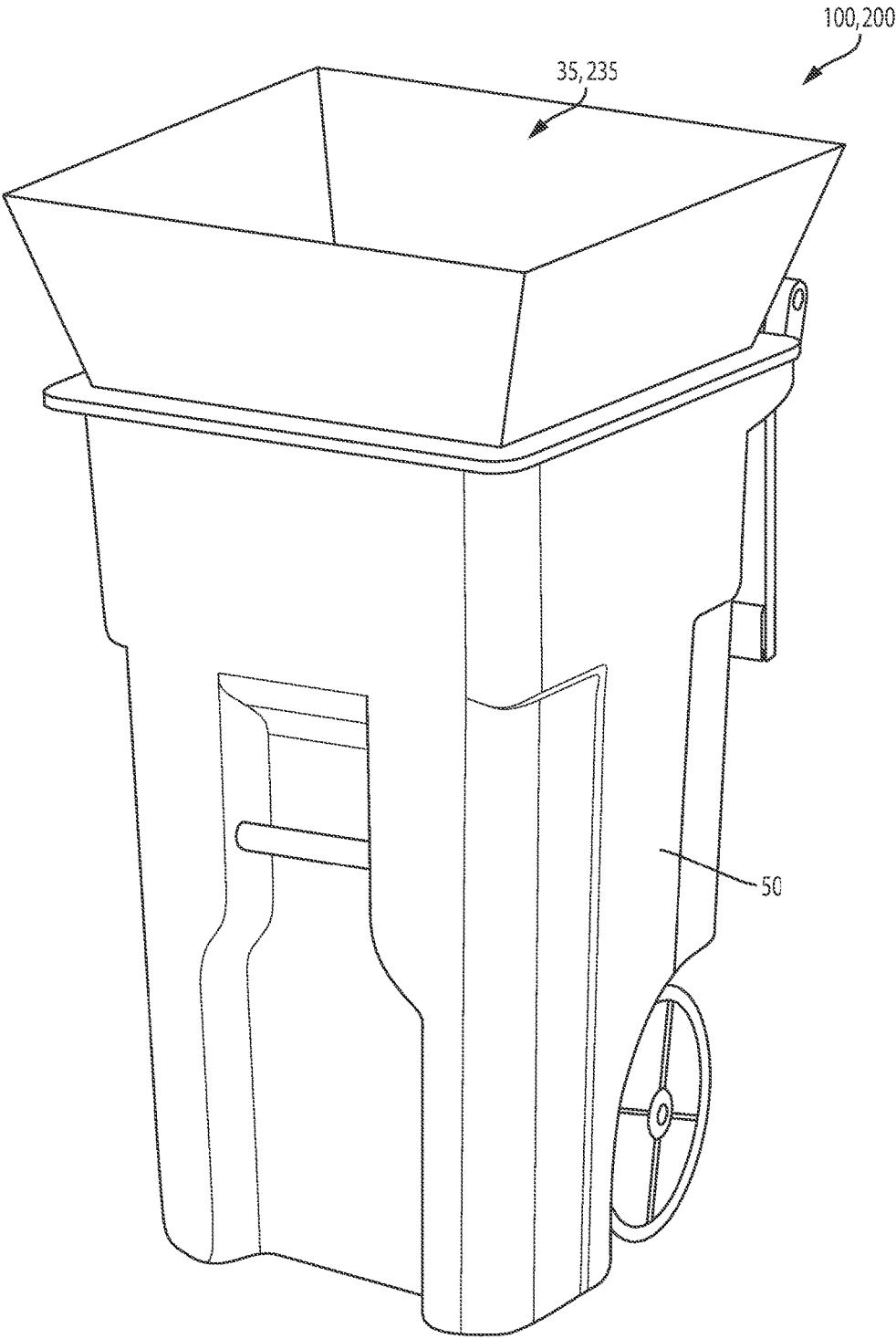


FIG. 5

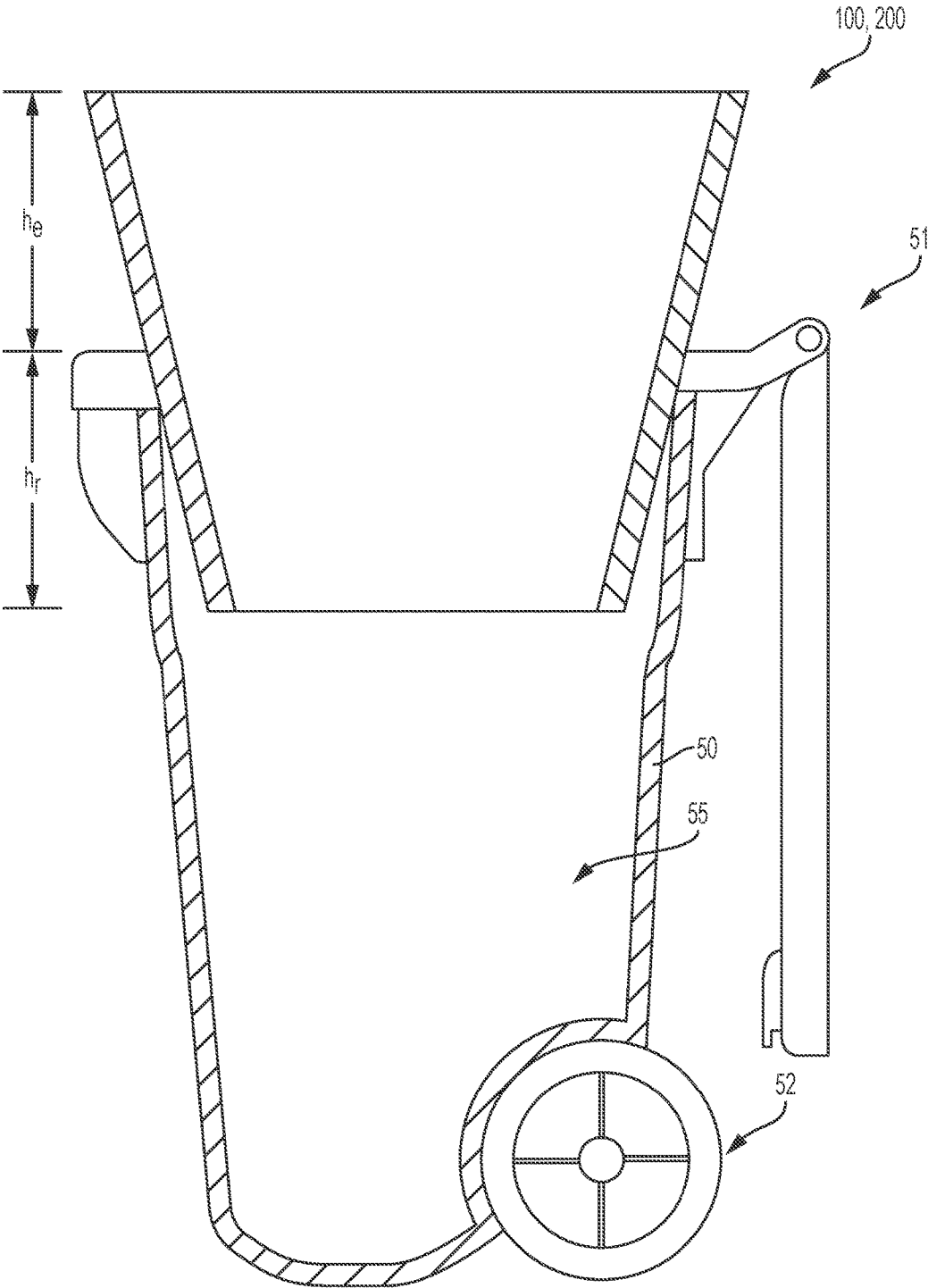


FIG. 6

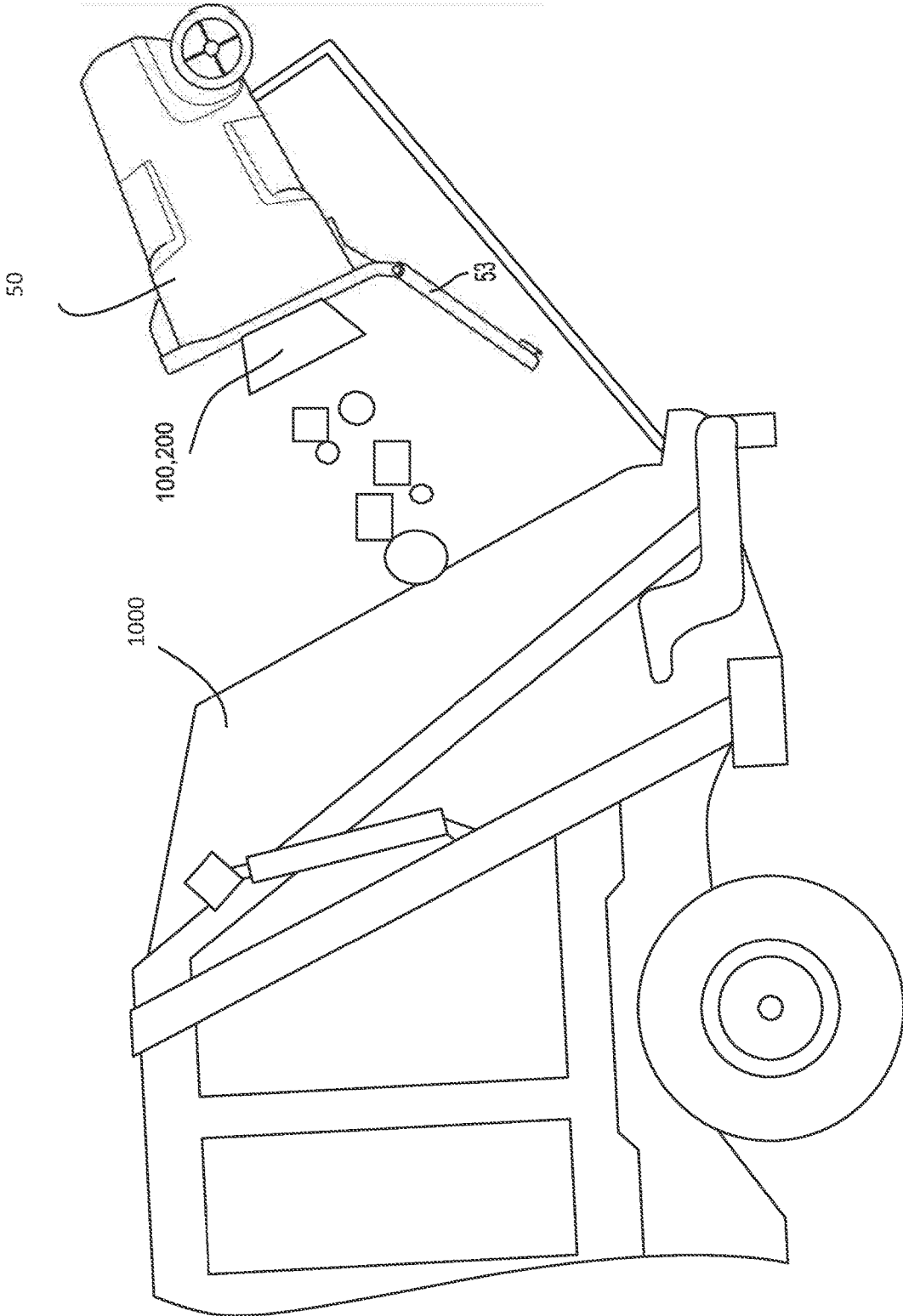


FIG. 7

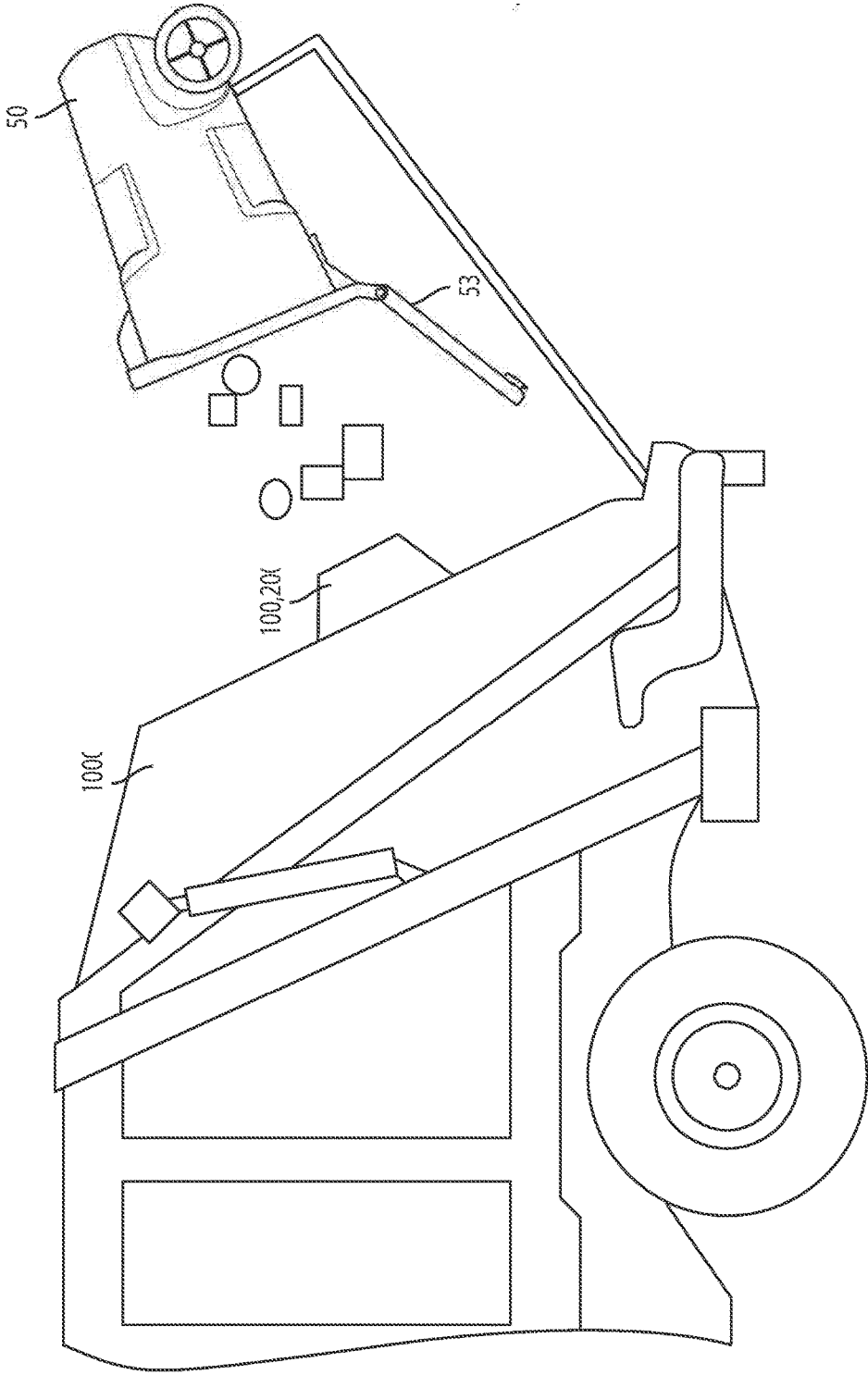


FIG. 8

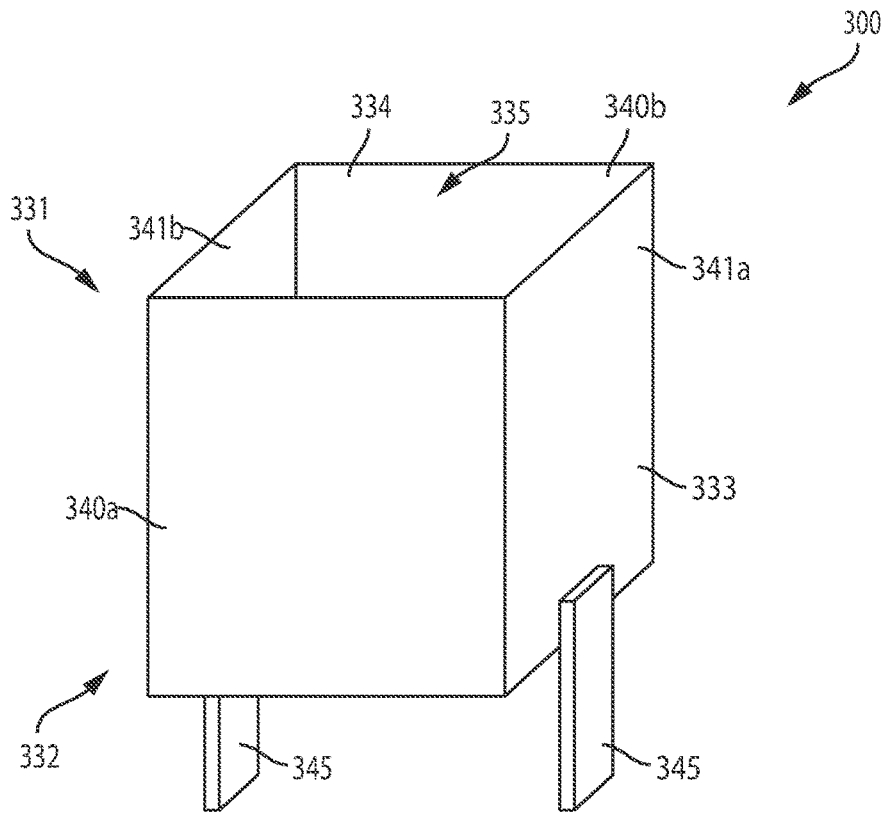


FIG. 9

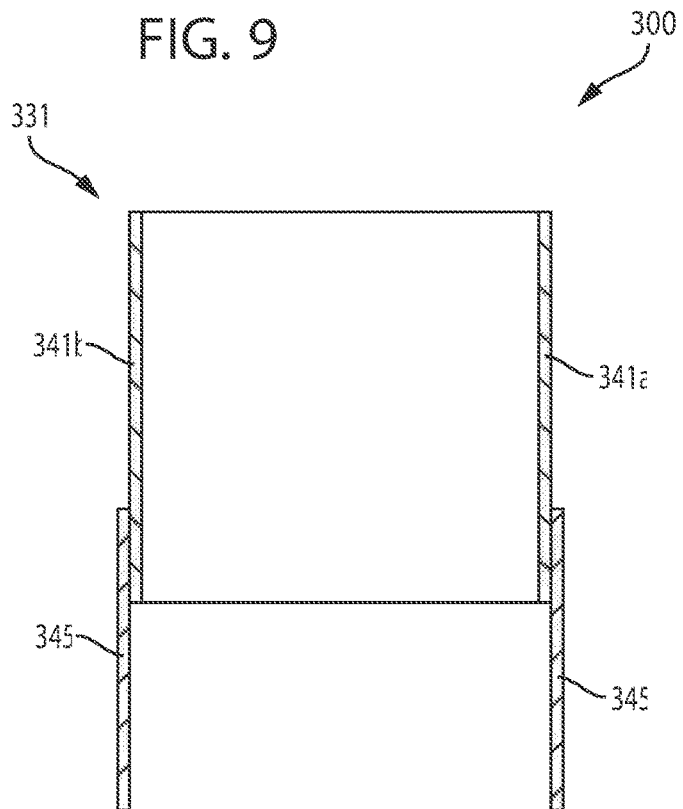


FIG. 10

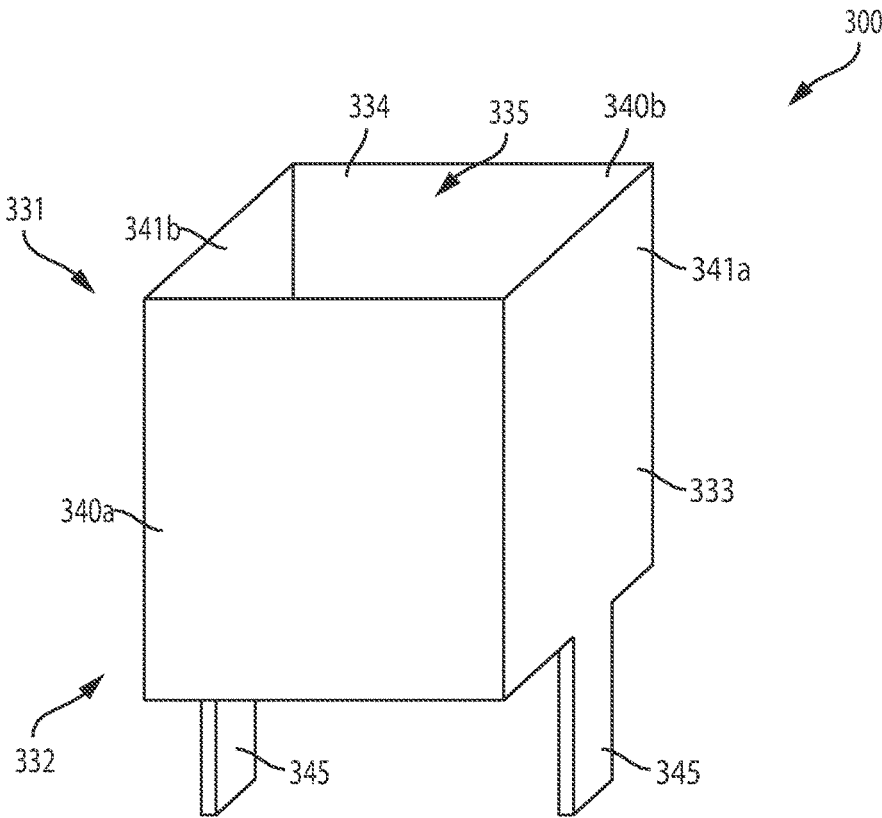


FIG. 11

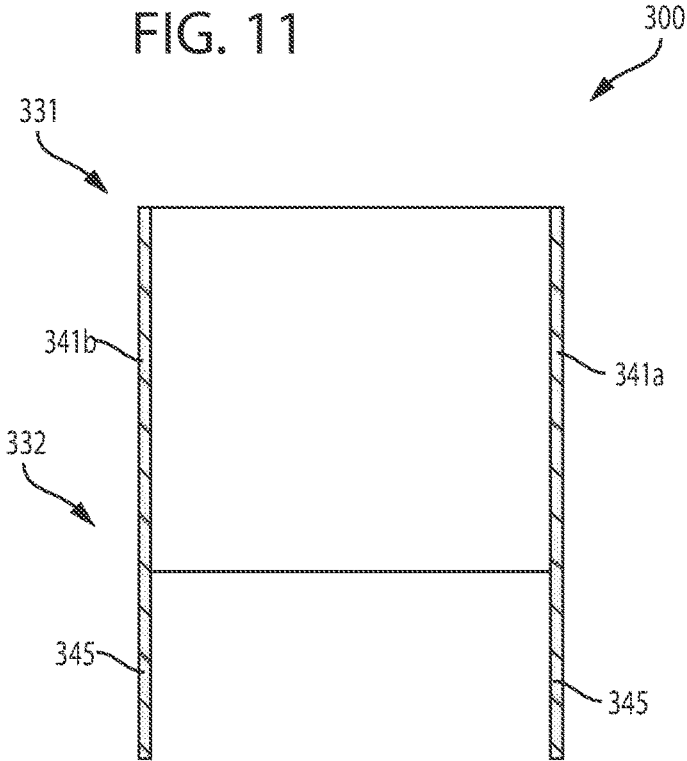


FIG. 12

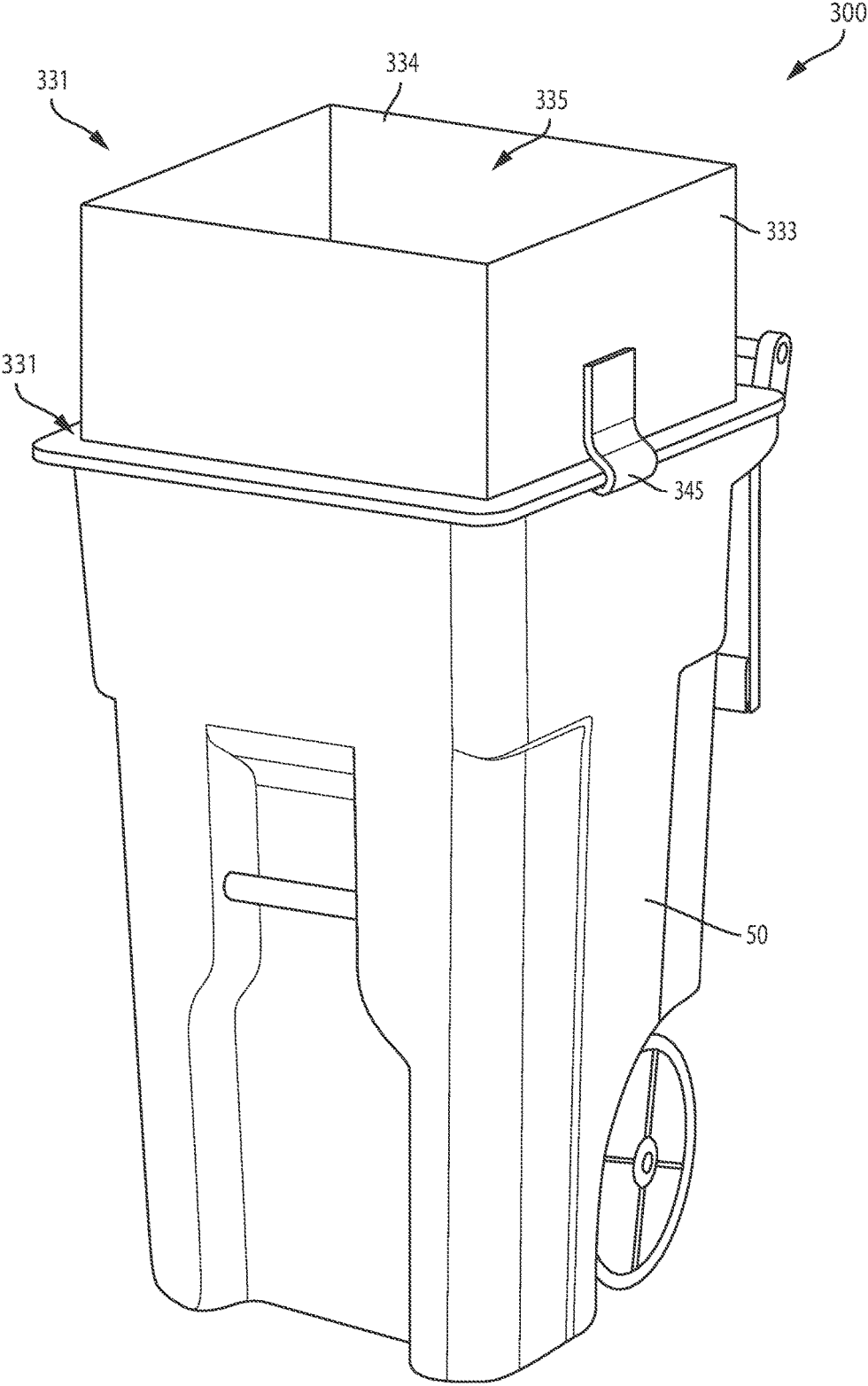


FIG. 13

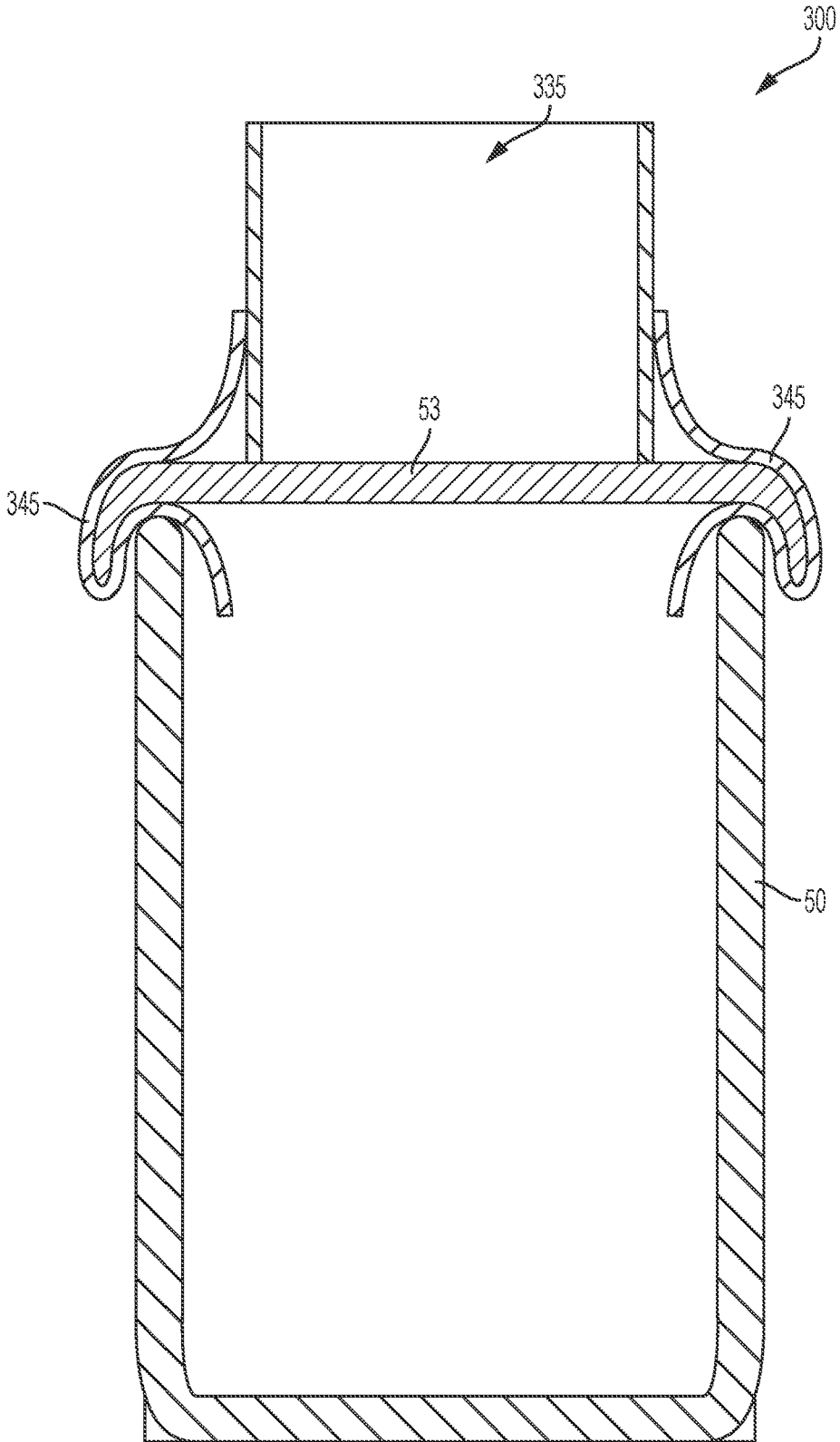


FIG. 14

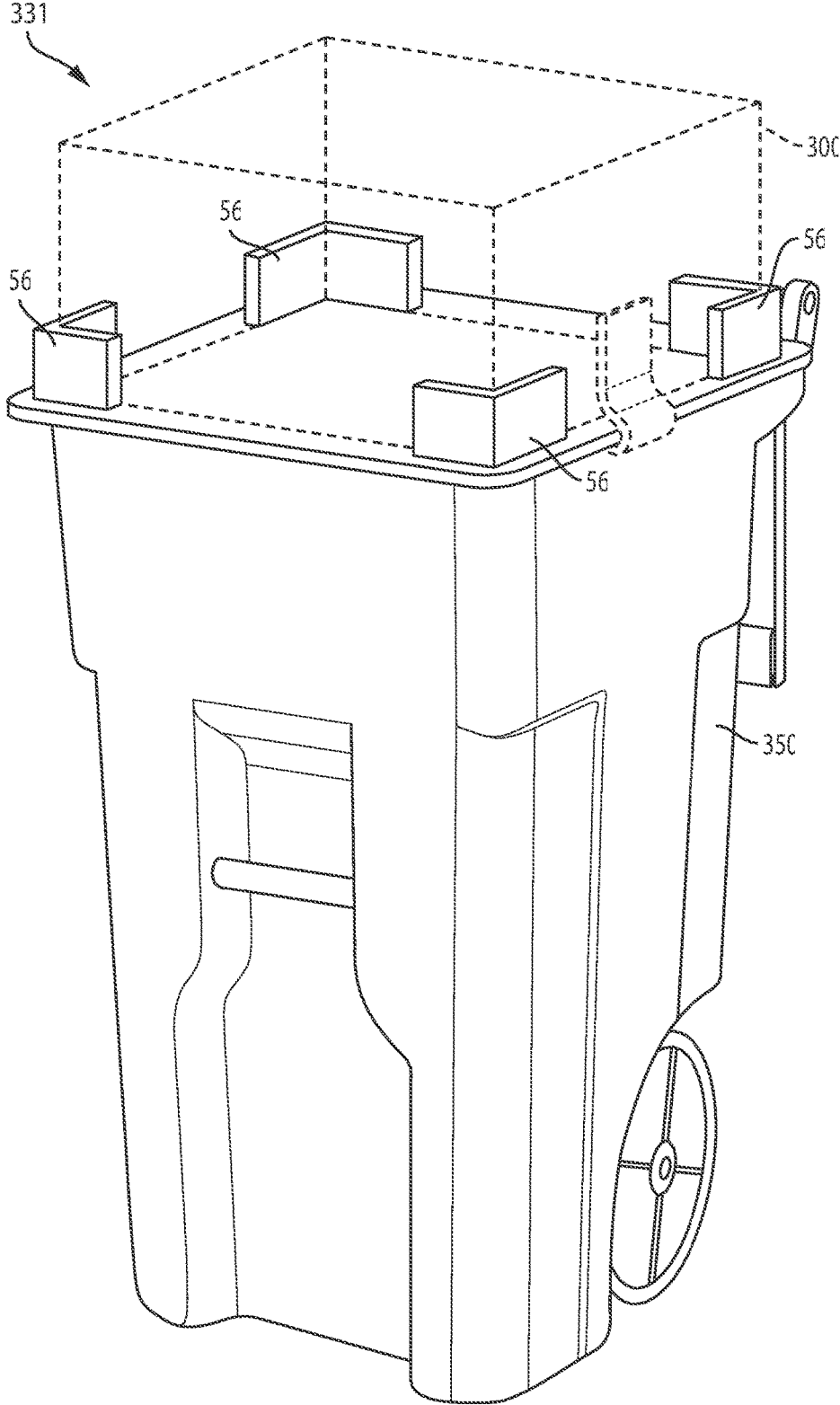


FIG. 15

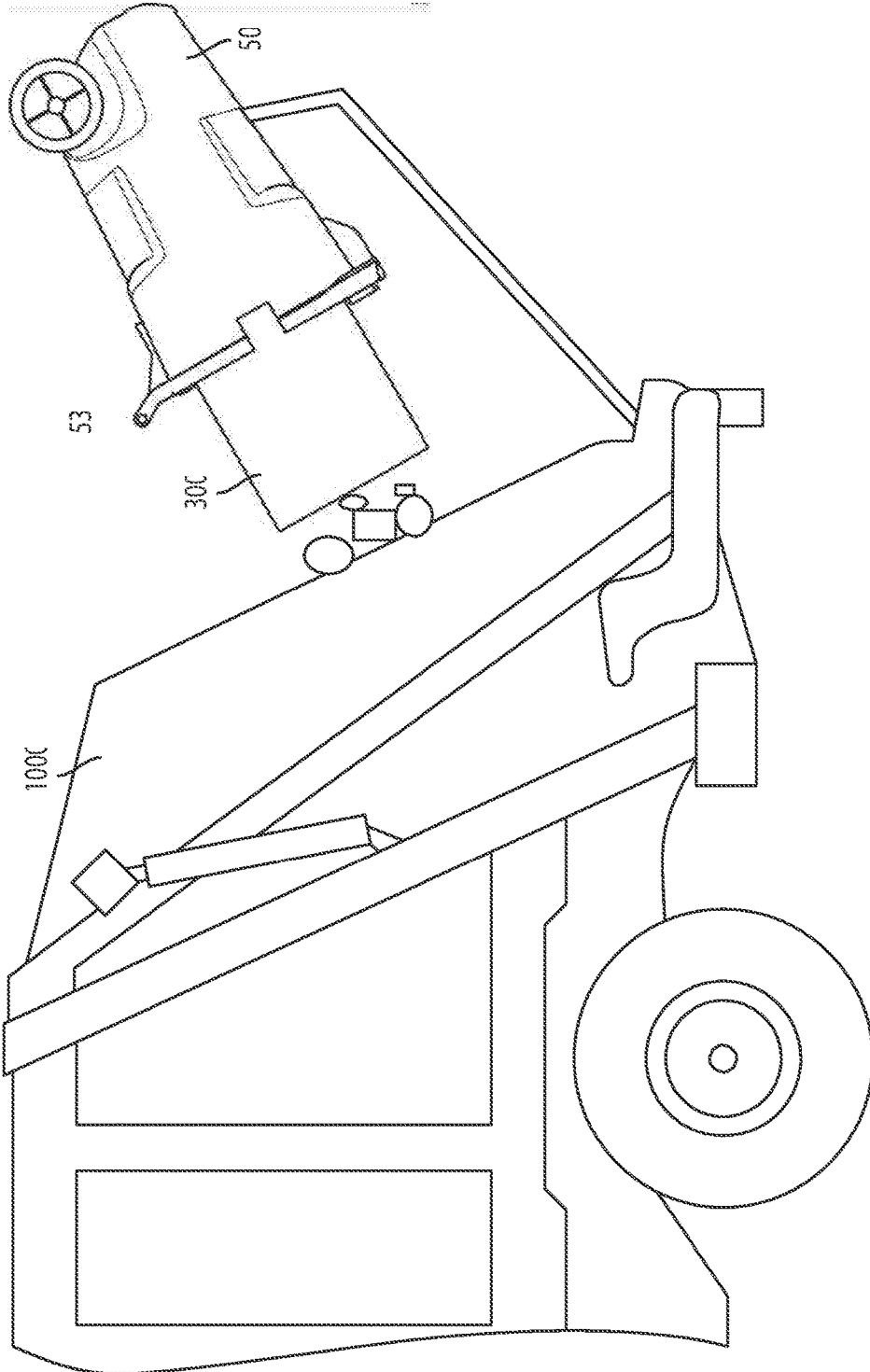


FIG. 16

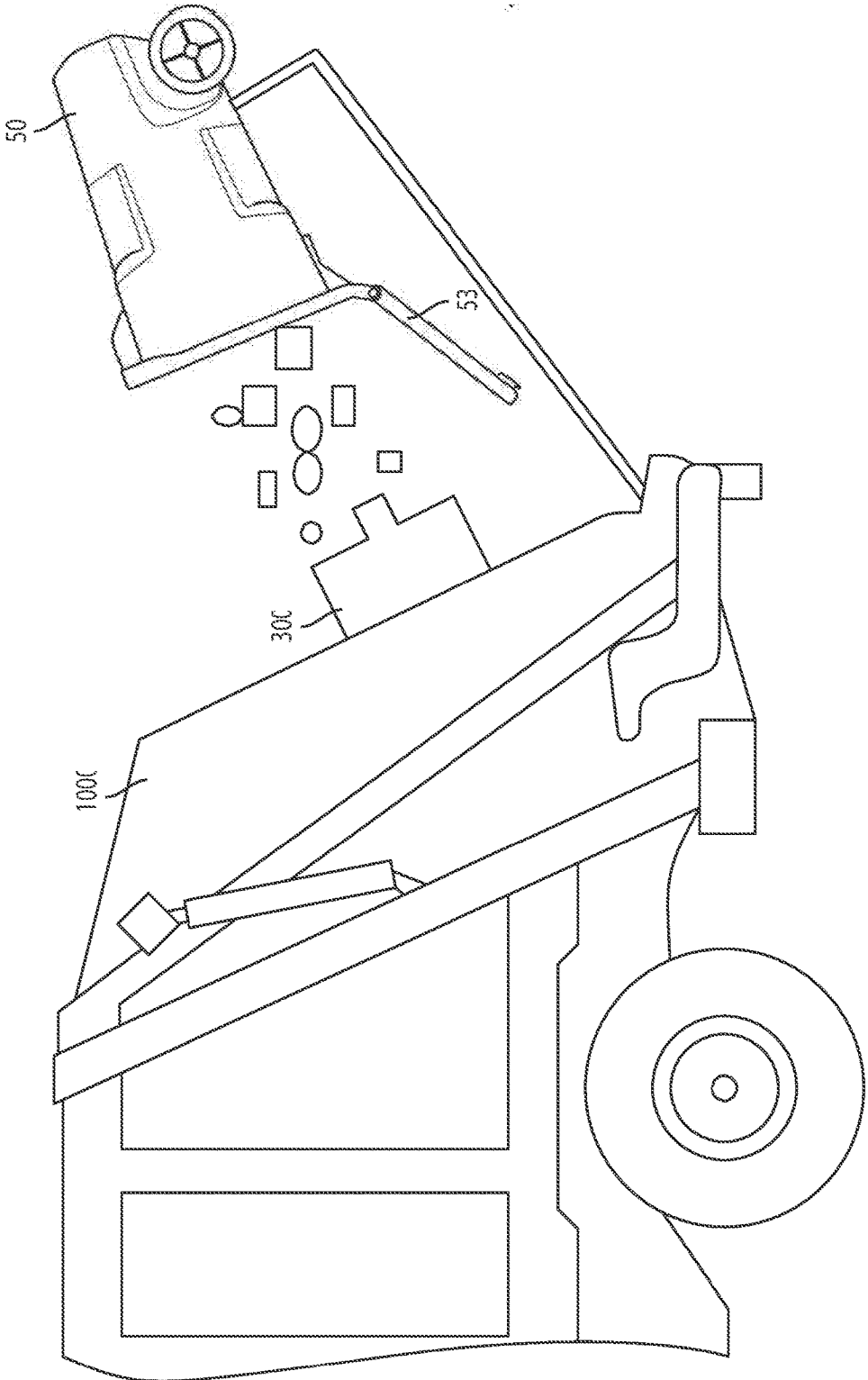


FIG. 17

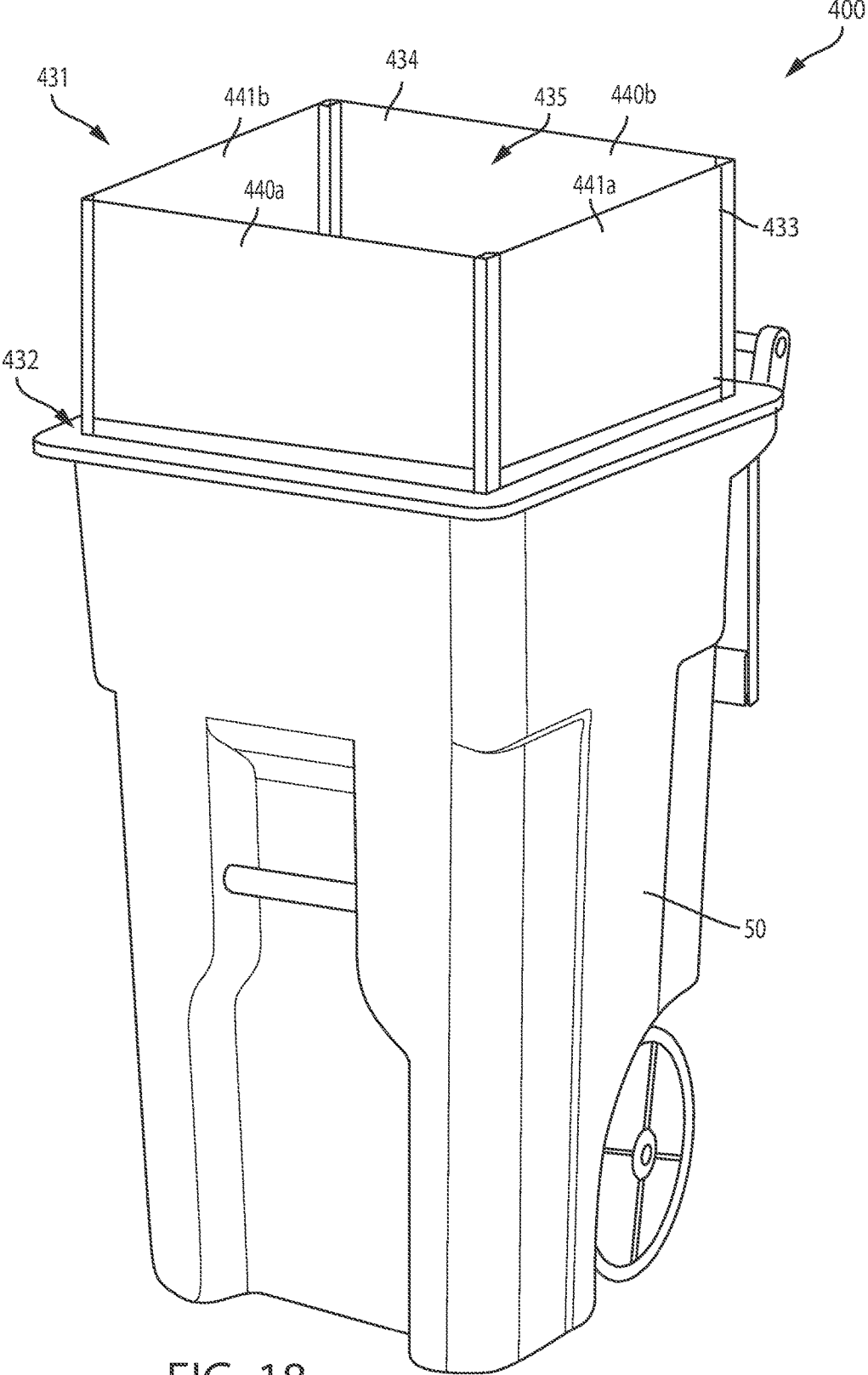


FIG. 18

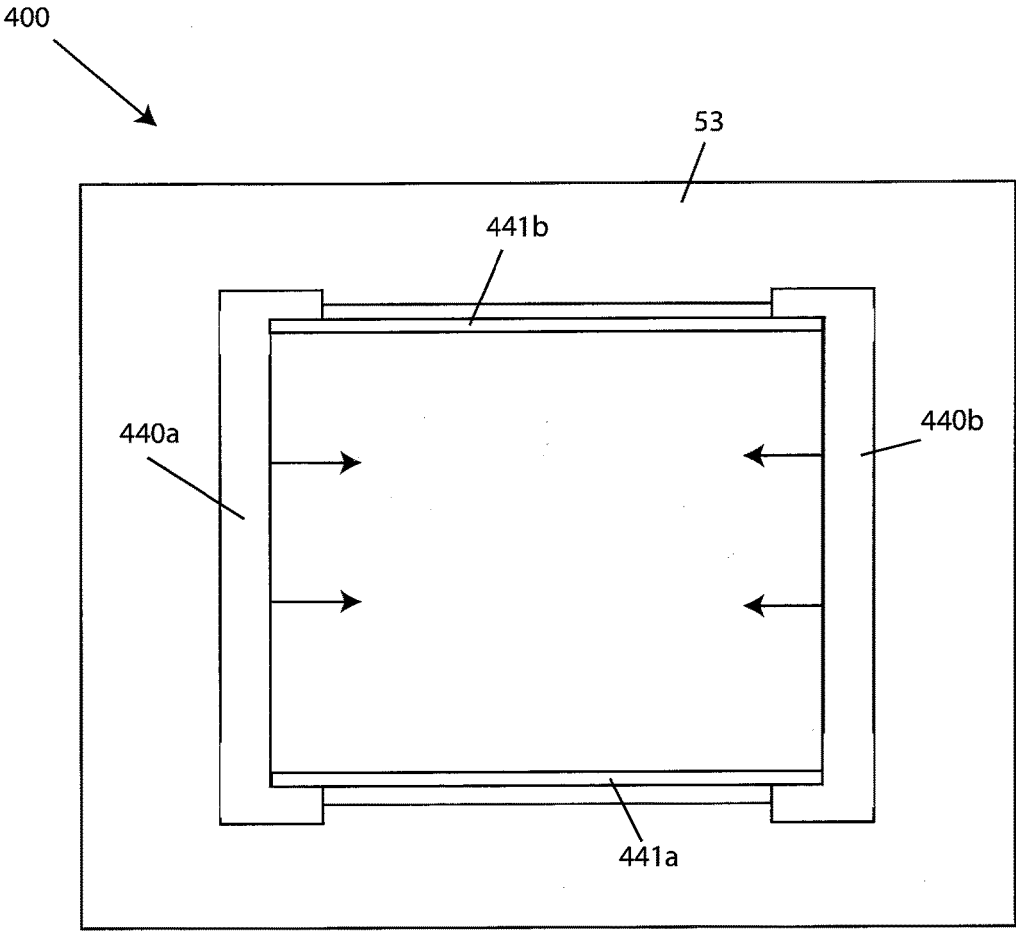


FIG. 19

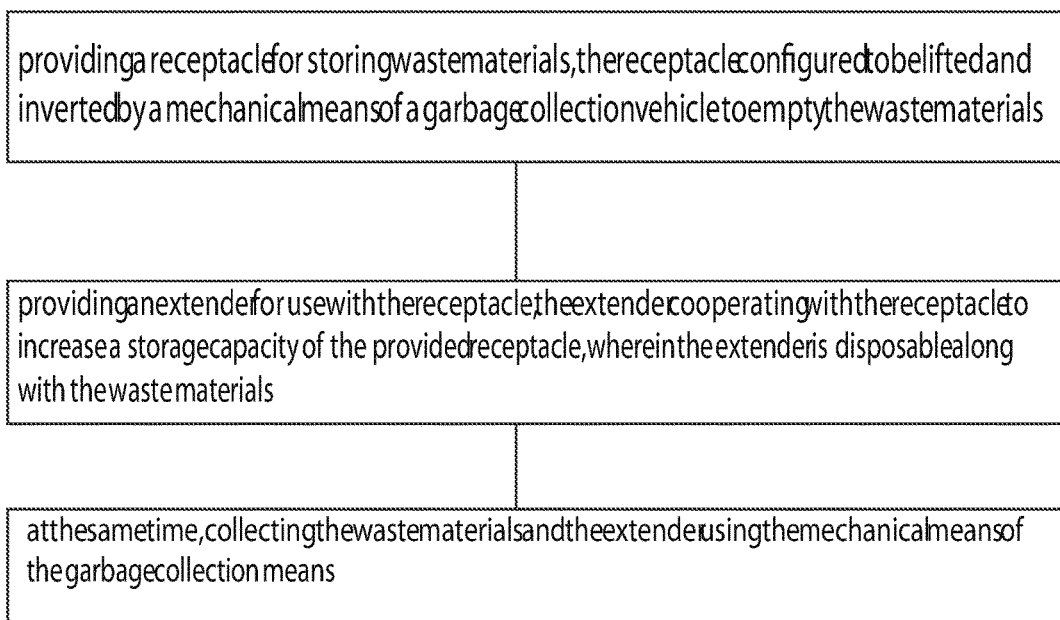


FIG. 20

EXTENDER FOR RECEPTACLE AND METHOD THEREOF

CROSS-REFERENCE TO RELATED APPLICATIONS

[0001] This application is a continuation application that claims priority to and the benefit of U.S. application Ser. No. 15/672,503, filed Aug. 9, 2017, entitled "Extender for Receptacle and Method Thereof," which is a continuation application that claims priority to and the benefit of U.S. application Ser. No. 14/818,175, filed Aug. 4, 2015, and entitled "Extender For a Receptacle and Method Thereof," which claims priority to Provisional Application No. 62/032,875, having a filing date of Aug. 4, 2014, the entire contents of which are hereby incorporated by reference.

FIELD OF TECHNOLOGY

[0002] The following relates to waste management disposal and containment, and more specifically to embodiments of a device that can increase the capacity of a standard receptacle, while also making garbage collection more efficient.

BACKGROUND

[0003] Receptacles, such as garbage cans, typically come in standard sizes. In some households, the standard capacity of the garbage is exceeded before the garbage pickup is scheduled to come. This is especially true when a household hosts a party or an event that results in a larger than normal amount of garbage. The current solution is to stack the garbage next to the garbage can, or purchase an additional garbage can. Stacking the garbage next to the garbage perpetuates an odorous environment, is aesthetically unappealing, and adds labor time for the garbage collectors. Purchasing an additional garbage takes up extra space, can lead to additional charges from a garbage collection company, and may not be compatible with automated garbage trucks.

[0004] Thus, a need exists for an apparatus and method for increasing a capacity of a receptacle, storing an additional amount of garbage, and a method of disposal.

SUMMARY

[0005] A first aspect relates generally to an extender for a receptacle, comprising: a plurality of walls, each of the plurality of walls being tapered from a first end of the extender to a second end of the extender, the plurality of walls being joined together to define an interior space for receiving waste materials, and at least one vertical slit located on one or more of the plurality of walls, the at least one vertical slit permitting a deflection of a section of the one or more of the plurality of walls, wherein the extender increases a storage capacity of the receptacle when the extender is inserted into an interior of the receptacle, the further the extender being inserted into the receptacle the stronger the friction fit between the receptacle and the extender due to the plurality of tapered walls.

[0006] A second aspect relates generally to an extender for increasing a storage capacity of a receptacle, comprising: a plurality of walls, the plurality of walls including a front wall, a back wall, a first side wall, and a second side wall, the plurality of walls being joined together to define an interior space for receiving waste materials, and at least one

wing located on the first side wall of the plurality of walls, the at least one wing protruding a distance beyond a bottom edge of the first side wall, wherein, when the extender is placed atop the receptacle and external to an interior of the receptacle, the one or more wing is disposed within the interior of the receptacle.

[0007] A third aspect relates generally to a method for collecting garbage, comprising: providing a receptacle for storing waste materials, the receptacle configured to be lifted and inverted by a mechanical means of a garbage collection vehicle to empty the waste materials, providing an extender for use with the receptacle, the extender cooperating with the receptacle to increase a storage capacity of the provided receptacle, wherein the extender is disposable along with the waste materials, and at the same time, collecting the waste materials and the extender using the mechanical means of the garbage collection means.

[0008] The foregoing and other features of construction and operation will be more readily understood and fully appreciated from the following detailed disclosure, taken in conjunction with accompanying drawings.

BRIEF DESCRIPTION OF THE DRAWINGS

[0009] Some of the embodiments will be described in detail, with reference to the following figures, wherein like designations denote like members, wherein:

[0010] FIG. 1 depicts a schematic view of a first embodiment of an extender located within an embodiment of a receptacle;

[0011] FIG. 2 depicts a perspective view of the first embodiment of an extender;

[0012] FIG. 3 depicts a perspective view of a second embodiment of an extender;

[0013] FIG. 4 depicts a perspective view of the second embodiment of an extender with an embodiment of a connection element;

[0014] FIG. 5 depicts a perspective view of an embodiment of an extender operably configured with an embodiment of a receptacle;

[0015] FIG. 6 depicts a sectional view of an embodiment of an extender operably configured with an embodiment of a receptacle;

[0016] FIG. 7 depicts a schematic view of a first position of a receptacle being lifted and inverted for removal of waste contents;

[0017] FIG. 8 depicts a schematic view of a second position of a receptacle being lifted and inverted for removal of waste contents;

[0018] FIG. 9 depicts a perspective view of a third embodiment of an extender;

[0019] FIG. 10 depicts a sectional view of the third embodiment of an extender;

[0020] FIG. 11 depicts a perspective view of the third embodiment of an extender having at least one structurally integral wing;

[0021] FIG. 12 depicts a sectional view of the third embodiment of an extender having one or more structurally integral wing;

[0022] FIG. 13 depicts a perspective view of the third embodiment of the extender operably configured with an embodiment of a receptacle;

[0023] FIG. 14 depicts a sectional view of the third embodiment of the extender operably configured with an embodiment of a receptacle;

[0024] FIG. 15 depicts a perspective view of an embodiment of a receptacle having a plurality of support elements;

[0025] FIG. 16 depicts a schematic view of a first position of a receptacle being lifted and inverted for removal of waste contents;

[0026] FIG. 17 depicts a schematic view of a second position of a receptacle being lifted and inverted for removal of waste contents;

[0027] FIG. 18 depicts a perspective view of a fourth embodiment of an extender operably configured with a receptacle;

[0028] FIG. 19 depicts a top view of the fourth embodiments of an extender operably configured with a receptacle; and

[0029] FIG. 20 depicts a flowchart of an embodiment of a method.

DETAILED DESCRIPTION

[0030] A detailed description of the hereinafter described embodiments of the disclosed apparatus and method are presented herein by way of exemplification and not limitation with reference to the Figures. Although certain embodiments are shown and described in detail, it should be understood that various changes and modifications may be made without departing from the scope of the appended claims. The scope of the present disclosure will in no way be limited to the number of constituting components, the materials thereof, the shapes thereof, the relative arrangement thereof, etc., and are disclosed simply as an example of embodiments of the present disclosure.

[0031] As a preface to the detailed description, it should be noted that, as used in this specification and the appended claims, the singular forms “a”, “an” and “the” include plural referents, unless the context clearly dictates otherwise.

[0032] Referring to the drawings, FIG. 1 depicts an embodiment of an extender 100, 200 operably engaged with a receptacle 50. The extender 100, 200 may be a device that may be configured to be placed at least partially within a receptacle 50, such as industry standard sized garbage can, to extend or otherwise increase a capacity of the receptacle 50. The increased capacity, labeled as increased capacity 25 in FIG. 1, is an amount of volume for storing garbage, waste, yard waste, leaves, etc., or any contents suitable for placement in a receptacle that is in addition to a maximum volume afforded by the receptacle 50. For example, if the receptacle 50 becomes full of waste materials 15, such as garbage, waste, recyclables, yard waste, and the like, any additional waste materials will not fit properly within the receptacle 50, and likely fall to the side of the receptacle 50, or can blow away due to the wind or other environmental elements. To increase a volume or storage capacity of the receptacle 50, embodiments of an extender 100, 200 may be placed at least partially within the receptacle 50 so that additional waste materials 15 may be added to the waste material already within the receptacle 50. While the extender 100, 200 is operatively attached to the receptacle 50, a storage capacity of the receptacle 50 is effectively increased because of the walls of the extender 100 extending beyond a top end 51 of the receptacle 50. Embodiments of the receptacle 50 may be a garbage can, a pail, a garbage pail, a transportable waste container, a waste collection device, a barrel, a bucket, and the like. Embodiments of the receptacle 50 may be an industrial garbage can, and may be compatible with automatic garbage truck loaders, for example, receptacles pro-

vided by waste collection companies for scheduled pickup. In some embodiments, the receptacle 50 may include a cover 53 that can be hingedly or otherwise pivotally attached to the receptacle 50. Further, embodiments of receptacle 50 may be various sizes, as might be offered/provided by a waste collection company or a municipality, or otherwise available for purchase at a home improvement store.

[0033] With continued reference to FIG. 1, an embodiment of extender 100 is depicted in FIG. 2. Embodiments of extender 100 may be an insert, a tapered box, a tapered structure, a garbage containment unit, a cardboard insert, or the like, sized and dimensioned to be placed within a receptacle 50 of various sizes. Embodiments of extender 100 may include a first end 31, a second end 32, an outer surface 33, an inner surface 34, and a general opening extending therethrough. Embodiments of extender 100 may be cone-shaped, and may be comprised of a single wall. Embodiments of the extender 100 may be tapered. For instance, embodiments of the extender 100 may taper in a direction from the first end 31 toward a second end 32, such that a width of the extender 100 may gradually decrease from the first end 31 to the second end 32. A tapered structure or configuration of the extender 100 may ensure or promote a friction fit with the receptacle 50 as the extender 100 is lowered or otherwise placed within an interior of the receptacle 50. The tapered configuration may also accommodate various sizes of an interior of various receptacles 50. Further embodiments of the extender 100 may include a tapered section proximate or otherwise near the second end 32, wherein a portion of the extender 100 (e.g. proximate or otherwise near the first end 31) is not tapered, and only begins to taper at a point proximate or otherwise near the second end 32.

[0034] Moreover, embodiments of the extender 100 may include a plurality of walls 40a, 40b, 41a, 41b. The plurality of walls 40a, 40b, 41a, 41b may form or otherwise define an interior space 35 of the extender 100. Each of the plurality of walls 40a, 40b, 41a, 41b may be shaped like a trapezoid to facilitate the tapered shape/configuration of the extender 100. A number and an arrangement of the plurality of walls, when operably configured, may correspond to a geometric shape of an opening of the receptacle 50 so that it may at least partially fit within the receptacle 50. In one embodiment, the extender 100 may include four walls, with a front wall 40a, a back wall 40b, a first side wall 41a, and a second side wall 41b. The walls 40a, 40b, 41a, 41b may be equal in size, or may vary in size with respect to each other. Furthermore, the walls 40a, 40b, 41a, 41b may be structurally integral with each other and joined along each edge to the next wall, as shown in FIG. 2. The edges may be creased or pre-creased to facilitate or promote flexibility of the extender 100. The flexibility of the extender 100 may vary, but in some cases, the extender 100 may be able to be folded into a flat unit, while all of the edges of the walls 40a, 40b, 41a, 41b remain connected, structurally integral or otherwise.

[0035] FIG. 3 depicts an embodiment of extender 200. Embodiments of extender 200 may share the same or substantially the same structural and functional aspects of extender 100, including a first end 231, a second end 232, an outer surface 233, and inner surface 234, a general opening therethrough, and an interior space 235. However, extender 200 may include at least one edge of one of the plurality of walls 240a, 240b, 241a, 241b may be a free edge, which may also allow the extender 200 to be packaged and sold as

a flat, or relatively flat, or a folded flat unit. For example, a left edge of front wall **240a** may be a free edge, while the other, right, edge of the front wall **240a** is connected to the left edge of first side wall **241a**. In this example, an edge of the second side wall **41b** may also be a free edge. Any configuration or combination of free edges may be implemented to form extender **200**. In some operable configurations, such as shown in FIG. 4, the free edges may be connected to each other for added stability once ready for use. For instance, the free edges may be connected to each other using a connection element **245**. Embodiments of connection element **245** may be an adhesive tape, such as duct tape, staples, glue, clap, or other suitable material or component that may join two edges of the walls **240a**, **240b**, **241a**, **241b** together. In other operable configurations, the free edges may remain unconnected when placed within the receptacle **50**, wherein the free edges are proximate or otherwise near each other when in this operable configuration.

[0036] With continued reference to FIGS. 2-4, embodiments of extender **100**, **200** may also include a deflection flap **36**, **236**. Embodiments of deflection flap **36**, **236** may be a section of the extender **100**, **200** of one or more walls of extender **100**, **200** that may deflect inward or outward to accommodate various sizes of receptacle **50**. The deflection, inward or outward, may further promote or otherwise ensure a friction fit between an inner surface of the receptacle **50** and the extender **100**, **200**. For example, receptacle **50** may have various interior shapes (e.g. protrusions, etc.) that may engage portions of the extender **100**, **200** with a different force than another area of the extender **100**, **200**. The deflection flap or deflection portion **36**, **236** may deflect or otherwise move inwardly or outwardly to increase a mechanical interference or friction fit between the receptacle **50** and the extender **100**, **200** to compensate for looser connections between the receptacle **50** and the extender **100**, **200** in other areas. The deflection of the flap **36**, **236** may also be affected by waste materials already within receptacle **50**, which may also promote friction fit between the extender **100**, **200** and the receptacle **50**. Embodiments of the deflection flap **36**, **236** may be formed by one or more vertical slits **237a**, **237b** extending from a second end **32**, **232** of the extender **100**, **200** a distance towards the first end **32**, **232**. The vertical slits may permit deflection inwardly or outwardly, as described above. The vertical slits **237a**, **237b** may be perforations, or may be a continuous cut into the extender **100**, **200**. Furthermore, embodiments of the extender **100**, **200** may be made out of cardboard or other suitable material. The material(s) forming the extender **100**, **200** may be disposable. However, in some embodiments, the extender **100**, **200** may be made of a material that can be reused without significant risk of damage if exposed to environmental elements. In further embodiments, the extender **100**, **200** may be made out a metal, such as aluminum, or plastic and can be recycled with the other contents within the receptacle **50**, such as known recyclable items that are commonly discarded.

[0037] Referring now to FIGS. 5 and 6, embodiments of extender **100**, **200** are shown in an operable configuration and engaged with receptacle **50**. The extender **100**, **200** may be provided to an end user as a flat and/or folded unit, as described above, or may be provided to an end user partly folded or otherwise intact. If the extender **100**, **200** comes in a folded or flat unit, a user may manipulate the plurality of

walls **40a**, **40b**, **41a**, **41b** to form a box-like structure, as shown in FIGS. 5 and 6. Once assembled or otherwise formed into a box-like structure, the extender **100**, **200** may be inserted within an interior **55** of the receptacle **50**. Embodiments of the extender **100**, **200** may be placed within the receptacle **50** from a top end **51** and driven further into the interior **55** of the receptacle **50**. Because embodiments of the extender **100**, **200** may be tapered, further displacement into the interior **55** of the receptacle **50** eventually results in mechanical interference between the walls **40a**, **40b**, **41a**, **41b**, or one or more deflection flaps **36**, **236**, and an inner surface **54** of the receptacle **50**. The extender **100**, **200** may be driven/pushed, forced, placed, etc. into the interior **55** of the receptacle **50** a distance, h_s , so as to provide a friction fit between the two components to prevent, hinder, or impede dislocation of the extender **100**, **200** while the receptacle **50** is an upright, storage/collection position, as shown in FIGS. 5 and 6. In some embodiments, the extender **100**, **200** may include a lip, edge, protrusion, or other surface feature that extends perpendicularly or substantially perpendicularly from an inner surface **34**, **234** proximate, at, or otherwise near the second end **32**, **232**. The lip or engagement surface may extend perpendicularly into a center of the interior space **35**, **235** so that waste materials **15** added into the extender **100**, **200** may engage the lip to further hinder dislocation of the extender **100**, **200** from the receptacle **50**. The lip may be bent inwards by a user or may come perforated or creased for easy folding. The distance, represented by h_s , the extender **100**, **200** enters the interior **55** of the receptacle **50** may vary and may depend on a size of the receptacle **50**. In this position, the extender **100**, **200** may be physically pulled out from and removed from the receptacle **50** by a user, but may be able to withstand other external forces such as wind, rain, addition of waste materials **55** to the receptacle, and the like. Furthermore, in this position, the extender **100**, **200** may protrude, extend, or otherwise rise from a top end **51** of the receptacle **50** a distance, h_e , which may represent an increased storage capacity for waste materials **15**. For instance, when waste materials **15** fill or substantially fill the interior **55** of the receptacle **50**, the extender **100**, **200** may be utilized to add an additional storage volume to the receptacle **50**. The volume added depends on the distance, h_e , or height, the walls **40a**, **40b**, **41a**, **41b** extend from a top end **51** of the receptacle **50**, as well as the width of each of the walls **40a**, **40b**, **41a**, **41b**. Thus, additional waste materials **15** (i.e. in addition to waste materials **15** already stored or located within the interior **15** of the receptacle **50**) may be collected, stored, accommodated, received, etc. between the walls **40a**, **40b**, **41a**, **41b** of the extender **100**, **200**, when the extender **100**, **200** is engaged with the receptacle **50**.

[0038] With reference now to FIGS. 7 and 8, a manner in which the waste materials **15** and the extender **100**, **200** may be disposed is now described. While the receptacle **50** is in an upright, collection position, with the extender **100**, **200** operably engaged with the receptacle **50**, waste materials **15** may be collected and stored for eventual pickup and removal by a garbage removal company or municipality service. When it comes time for the waste materials **15** to be picked up and removed, the garbage collectors may utilize a collection vehicle **1000**, such as a garbage truck, to secure, grab, or otherwise manipulate the receptacle **50** to invert, at least to some degree, the receptacle **50** to allow the waste materials **15** to exit the interior **55** of the receptacle **50** and

into a collection area of the collection vehicle 1000. As shown in FIG. 7, an initial amount or portion of the waste materials 15 may exit the extender 100, 200 and/or the receptacle 50 and into the collection area of the collection vehicle 1000. As the waste materials 15 continue to exit the receptacle 50, a weight of the remaining waste materials 15 passing by the extender 100, 200 may engage the extender 100, 200, for example, may engage an internal lip of the extender 100, 200 proximate the second end 32, 232, and may help drive or otherwise urge the extender 100, 200 out of physical engagement with the inner surface 55 of the receptacle 50, and into the collection area of the collection vehicle 100 along with other waste materials 15, as shown in FIG. 8. Therefore, the waste materials 15 and the extender 100, 200 are efficiently disposed of and collected in a single motion—or a single lift and invert of the receptacle 50. This may save time for the garbage collectors because they do not need to stop, bend over, and hand collect waste material stacked next to the receptacle 50 because the receptacle 50 lacked the capacity to store all of the waste. Further, no additional time may be wasted to collect the additional waste materials 15 collected/stored by the presence/use of the extender 100, 200 because the extender 100, 200 may be disposed of and collected by the garbage collection vehicle 1000 in the same motion as if just collecting the waste stored in the receptacle 50.

[0039] In alternative embodiments, a garbage collector(s) may physically lift and invert the receptacle 50 with the extender 100, 200 attached thereto and empty into a garbage collection vehicle 1000, or suitable collection means. The extender 100, 200 may likewise disengage from the receptacle 50 for disposal along with the waste materials 15.

[0040] With continued reference to the drawings, FIGS. 9 and 10 depict an embodiment of extender 300. Embodiments of extender 300 may be a box, an add-on, a cardboard structure, a garbage containment unit, a cardboard accessory, or the like, sized and dimensioned to be placed on top of a cover 53 of a receptacle 50 of various sizes. The extender 300 may be a device that may be configured to be placed upon a cover 53 of a receptacle 50, such as industry standard sized garbage can, to extend or otherwise increase a capacity of the receptacle 50. The increased capacity may be an amount of volume for storing garbage, waste, yard waste, leaves, etc., or any contents suitable for placement in a receptacle that is in addition to a maximum volume afforded by the receptacle 50. For example, if the receptacle 50 becomes full of waste materials 15, such as garbage, waste, recyclables, yard waste, and the like, any additional waste materials will not fit properly within the receptacle 50, and likely fall to the side of the receptacle 50, or can blow away due to the wind or other environmental elements. To increase a volume or storage capacity of the receptacle 50, embodiments of an extender 300 may be placed on a top of a receptacle 50 so that additional waste materials 15 may be stored in addition to the waste material already stored within the receptacle 50. While the extender 300 is operatively attached to the receptacle 50, a storage capacity of the receptacle 50 is effectively increased because of the additional capacity or volume afforded by the extender 300. Embodiments of the receptacle 50 may be a garbage can, a pail, a garbage pail, a transportable waste container, a waste collection device, a barrel, a bucket, and the like. In some embodiments, the receptacle 50 may include a cover 53 that can be hinged or otherwise pivotally attached to the

receptacle 50. Further, embodiments of receptacle 50 may be various sizes, as might be offered/provided by a waste collection company or a municipality, or otherwise available for purchase at a home improvement store.

[0041] Embodiments of extender 300 may include a first end 331, a second end 332, an outer surface 333, an inner surface 334, and a general opening extending therethrough. Moreover, embodiments of the extender 300 may include a plurality of walls 340a, 340b, 341a, 341b. Each of the plurality of walls 340a, 340b, 341a, 341b may be shaped like a square or rectangle to form a box-like configuration having an interior space 335. A number and an arrangement of the plurality of walls, when operably configured, may correspond to a geometric shape of a cover 53 of the receptacle 50 so that it may efficiently rest upon a cover 53 of the receptacle 50. In one embodiment, the extender 300 may include four walls, with a front wall 340a, a back wall 340b, a first side wall 341a, and a second side wall 341b; embodiments of the extender 300 may include an optional bottom wall and/or a top wall, wherein the top wall may be opened when needed to place contents therein and closed to hinder access, provide protection against rain or other environmental elements, and/or minimize odor. For instance, a top wall may be movably or pivotally attached to the at least on the walls 340a, 340b, 341a, 341b. The walls 340a, 340b, 341a, 341b may be equal in size, or may vary in size with respect to each other. Furthermore, the walls 340a, 340b, 341a, 341b may be structurally integral with each other and joined along each edge to the next wall, as shown in FIG. 9. The edges may be creased or pre-creased to facilitate or promote flexibility of the extender 300. The flexibility of the extender 100 may vary, but in some cases, the extender 300 may be able to be folded into a flat unit, while all of the edges of the walls 340a, 340b, 341a, 341b remain connected, structurally integral or otherwise.

[0042] Furthermore, embodiments of extender 300 may include at least one edge of one of the plurality of walls 340a, 340b, 341a, 341b may be a free edge, which may also allow the extender 300 to be packaged and sold as a flat, or relatively flat, or a folded flat unit. For example, a left edge of front wall 340a may be a free edge, while the other, right, edge of the front wall 340a is connected to the left edge of first side wall 341a. In this example, an edge of the second side wall 341b may also be a free edge. Any configuration or combination of free edges may be implemented to form extender 300. In some operable configurations, the free edges may be connected to each other for added stability once ready for use. For instance, the free edges may be connected to each other using a connection element, such as a component similar to connection element 245 described supra. In other operable configurations, the free edges may remain unconnected when placed within the receptacle 50, wherein the free edges are proximate or otherwise near each other when in this operable configuration.

[0043] Referring still to FIGS. 9 and 10, embodiments of extender 300 may include one or more wings 345. Embodiments of the one or more wings 345 may be a wing, a strap, a flap, a connector, a securing strap, a securing element, and the like. Embodiments of the one or more wings 345 may be a separate section of material that is operably attached to one or more walls, such as a first side wall 341a and a second side wall 341b. For example, wings 345 may be affixed, adhered, stapled, or otherwise secured to one or more side walls of the extender 300. Alternatively, embodiments of wings 345 may

be structurally integral with one or walls **340a**, **340b**, **341a**, **341b** of the extender **300**, as shown in FIGS. **11** and **12**. Embodiments of the one or more wings **345** may protrude, extend, or hang down beyond a second end **332** of the extender **300** a distance to allow the wings **345** to be manipulated for operable engagement with the receptacle **50**. Furthermore, embodiments of the extender **300** may be made out of cardboard or other suitable material. The material(s) forming the extender **300** may be disposable. However, in some embodiments, the extender **300** may be made of a material that can be reused without significant risk of damage if exposed to environmental elements. In further embodiments, the extender **300** may be made out a metal, such as aluminum, or plastic and can be recycled with the other contents within the receptacle **50**, such as known recyclable items that are commonly discarded. In even further embodiments, waste materials **15** may be segregated by type/contents by locating certain materials in the extender **300**, and the more conventional or non-hazardous contents in the interior **55** of the receptacle **50**. For example, normal waste materials **15** may be kept in the receptacle **50**, while batteries may be placed within the interior space **335** of the extender **300** to separate the contents, making it easier for collection companies to sort contents. Sorting contents may be made easier because the contents of extender **300** may be dumped into a separate compartment of the collection vehicle **1000** (e.g. recyclables, hazardous, etc.)

[0044] Referring now to FIGS. **13** and **14**, an embodiment of extender **300** is shown in an operable configuration and engaged with receptacle **50**. The extender **300** may be provided to an end user as a flat and/or folded unit, as described above, or may be provided to an end user partly folded or otherwise intact. If the extender **300** comes in a folded or flat unit, a user may manipulate the plurality of walls **340a**, **340b**, **341a**, **341b** to form a box-like structure, as shown in FIGS. **8-11**. Once assembled or otherwise formed into a box-like structure, the extender **300** may be placed on a cover **53** of a receptacle **50** (e.g. when the cover **53** is closed over a top end **51** of the receptacle **50**). Because the one or more wings **345** may protrude, extend, or hang down beyond a second end **332** of the extender **300** a distance, the wings **345** may be manipulated so as to be placed underneath a cover **53** of the receptacle **50** and into an interior **55** of the receptacle **50**. For instance, a user may place the extender **300** on top of the receptacle **50**, and at least slightly open the cover **53**, and when the cover **52** is at least slightly open, the user may insert the one or more wings **345** into the interior **55** of the receptacle **50**, and then return the cover **53** to a closed position. A weight of the cover **53** may secure the extender **300** in a collection position atop the receptacle **50**, thus affording the receptacle **50** an increased storage capacity for waste materials **15**. As more waste materials **15** are placed within the interior space **335** of the extender **300**, an additional weight/force can be applied to the cover **53**, thus increasing the force exerted against the one or more wings **345**.

[0045] Accordingly, in this position, the extender **300** may protrude, extend, or otherwise rise from a top cover **53** of the receptacle **50** a distance, which may represent an increased storage capacity for waste materials **15**. For instance, when waste materials **15** fill or substantially fill the interior **55** of the receptacle **50**, the extender **300** may be utilized to add an additional storage volume to the receptacle **50**. The volume added depends on the distance, or height, the walls **340a**,

340b, **341a**, **341b** extend from a top end **51** of the receptacle **50**, as well as the width of each of the walls **340a**, **340b**, **341a**, **341b**. Thus, additional waste materials **15** (i.e. in addition to waste materials **15** already stored or located within the interior **15** of the receptacle **50**) may be collected, stored, accommodated, received, etc. between the walls **340a**, **340b**, **341**, **341b** of the extender **300**, when the extender **300** is engaged with the receptacle **50**.

[0046] FIG. **15** depicts an embodiment of a receptacle **50** that may include a plurality of support elements **56**. Embodiments of support elements **56** may be supports, box supports, extender supporters, framing elements, guide elements, corner elements, or any suitable component for preventing or hindering slidable movement of the extender **300** across the cover **53** of the receptacle **50** when placed atop the receptacle **50**. Embodiments of the support elements **56** may be positioned in or more corner locations of the cover **53** of the receptacle **50**. Additionally, support elements **56** may be positioned on the cover **53** at a location that may correspond to where a wall **340a**, **340b**, **341a**, **341b** engage the cover **53** of the receptacle **50**. Embodiments of the support elements **56** may include a right angle or a substantially right angle to accommodate or correspond with a corner of the extender **300**. Embodiments of the support elements **56** may include a first wall and a second wall, or a single wall, that may protrude or extend upwards from the cover **53** of the receptacle. Thus, an extender **300** may be placed between the support elements **56**, wherein the support elements **56** may prevent or hinder slidable movement of the extender **300** to help retain the extender **300** in position. Further, embodiments of the support elements **56** may be structurally integral with the cover **53**, or may be separately attached to the cover **53**, and may be made of the same or different material of the cover **53**. In most embodiments, the support elements **56** may be comprised of a rigid material.

[0047] With reference now to FIGS. **16** and **17**, a manner in which the waste materials **15** and the extender **300** may be disposed is now described. While the receptacle **50** is in an upright, collection position, with the extender **300** operably engaged with the receptacle **50**, waste materials **15** may be collected and stored for eventual pickup and removal by a garbage removal company or municipality service. When it comes time for the waste materials **15** to be picked up and removed, the garbage collectors may utilize a collection vehicle **1000**, such as a garbage truck, to secure, grab, or otherwise manipulate the receptacle **50** to invert, at least to some degree, the receptacle **50** to allow the waste materials **15** to exit the interior **55** of the receptacle **50** and into a collection area of the collection vehicle **1000**. As shown in FIG. **15**, an initial amount or portion of the waste materials **15** may exit the extender **300** into the collection area of the collection area. As the waste materials **15** exit the extender **300** and the receptacle **50** is at least partially inverted, the cover **53** also begins to open, releasing the one or more wings **345** of extender **300**. When the one or more wings **345** are released (i.e. the cover **53** no longer pinches the wings **345** against a top lip of the receptacle **50**), the extender **300** is physically disengaged with the receptacle **50**, and drops into the collection area of the collection vehicle **100** along with other waste materials **15**, as shown in FIG. **16**. Therefore, the waste materials **15** and the extender **300** are efficiently disposed of and collected in a single motion—or a single lift and invert of the receptacle **50**. This may save

time for the garbage collectors because they do not need to stop, bend over, and hand collect waste material stacked next to the receptacle 50 because the receptacle 50 lacked the capacity to store all of the waste. Further, no additional time may be wasted to collect the additional waste materials 15 collected/stored by the presence/use of the extender 300 because the extender 300 may be disposed of and collected by the garbage collection vehicle 1000 in the same motion as if just collecting the waste stored in the receptacle 50.

[0048] In alternative embodiments, a garbage collector(s) may physically lift and invert the receptacle 50 with the extender 300 attached thereto and empty into a garbage collection vehicle 1000, or suitable collection means. The extender 300 may likewise disengage from the receptacle 50 for disposal along with the waste materials 15.

[0049] FIGS. 18 and 19 depict yet another embodiment of an extender 400. Embodiments of extender 400 may be permanently attached to a receptacle 50. For instance, embodiments of extender 400 may be permanently attached to a cover 53 of the receptacle 50. Embodiments of extender 400 may be collapsible, such that when additional storage capacity is not needed, the extender 400 may be collapsed into a first, flat position, and when needed to increase a storage capacity of the receptacle 50, the extender 50 may be unfolded or moved to a second, erect position. Moreover, embodiments of the extender 400 may include a plurality of walls 440a, 440b, 441a, 441b, an outer surface 433, and inner surface 434, and an interior space 435 to accommodate waste materials 15. At least two of the walls 440a, 440b, 441a, 441b may be spring loaded and hingedly movable from a flat position to an upright, erect position. While the spring loaded walls are held erect or partially erect, another wall, which may not be spring loaded, can be raised to fit between the spring loaded wall. The force of the spring loaded wall acting on either side of the free standing wall will keep the walls erect, and in the second, upright position configured to received and store waste materials 15 beyond or in addition to the waste materials 15 stored within the receptacle 50. A remaining wall, which may not be spring loaded, may also be lifted upright so as to fit between the spring loaded walls to complete the extender 400. While embodiments of extender 400 may not be disposable, the method and manner in which the contents of both the extender 400 and receptacle 50 are emptied may be similar to the methods described with respect to extender 100, 200, 300.

[0050] Referring now to FIGS. 1-19, and additional reference to FIG. 20, embodiments of a method for collecting garbage may include a step of providing a receptacle, such as receptacle 50, for storing waste materials. For example, a garbage collecting service may provide homeowners, users, renters, etc. with a receptacle 50 of a certain size, wherein the receptacle 50 may be configured to be lifted and inverted by a mechanical means of a garbage collection vehicle 1000 to empty the waste materials 15 within the receptacle 50. Another step may be to provide an extender 100, 200, 300 for use with the receptacle 50, the extender cooperating with the receptacle 50 to increase a storage capacity of the provided receptacle 50, wherein the extender 100, 200, 300 is disposable along with the waste materials 15. Another step may be collecting the waste materials 15 and the extender 100, 200, 300 at the same time, using the mechanical means of the garbage collection means 1000. For example, the extender 100, 200, 300 and the receptacle 50 may be

emptied of waste materials in a same motion. This method may save labor time for the garbage collectors because a driver or operator(s) may stay in the truck and pick up the receptacle according to existing methods, yet dump the contents of the extender (and potentially the extender itself) in the same motion. Moreover, the method may allow customers to purchase a smaller trash service (e.g. smaller size container) with a temporary means in which to increase a capacity of the purchased receptacle. The disposability of the extender 100, 200, 300 may be a cost-effective alternative to buying a larger receptacle service, and may be a way for a garbage service collection company to secure more customers by including one or more extenders in a package. [0051] While this disclosure has been described in conjunction with the specific embodiments outlined above, it is evident that many alternatives, modifications and variations will be apparent to those skilled in the art. Accordingly, the preferred embodiments of the present disclosure as set forth above are intended to be illustrative, not limiting. Various changes may be made without departing from the spirit and scope of the invention, as required by the following claims. The claims provide the scope of the coverage of the invention and should not be limited to the specific examples provided herein.

What is claimed is:

1. An apparatus comprising:

a garbage can, the garbage can having a lid and sized and dimensioned to be manipulated by a garbage truck, wherein the garbage can includes a substantially rigid body and a closed bottom; and

an extender permanently coupled to the lid of the garbage can, the extender including a plurality of walls;

wherein, when in a first position, the plurality of walls are collapsed into a flat position on the lid of the garbage can;

wherein, when in a second position, the plurality of walls are in an upright position defining an interior space for receiving waste materials.

2. The apparatus of claim 1, wherein the interior space defined by the plurality of walls in the second position creates an added storage capacity of the garbage can, located exterior to an interior of the garbage can.

3. The apparatus of claim 1, wherein at least two walls of the plurality of walls are spring loaded.

4. The apparatus of claim 1, wherein the plurality of walls are hingedly connected to the lid of the garbage can.

5. The apparatus extender of claim 3, wherein at least one wall of the plurality of walls is not spring loaded, and is manually raised into the second position.

6. The apparatus of claim 1, wherein the waste materials in the interior space of the extender are disposed of in a single motion that also empties waste materials from an interior of the garbage can.

7. A method of collecting garbage, utilizing the apparatus as claimed in claim 1.

8. An extender comprising:

a plurality of walls plurality of walls configured to be attached to a lid of a garbage can;

wherein, when in a first position, the plurality of walls are collapsed into a flat position on the lid of the garbage can, and when in a second position, the plurality of walls are in an upright position defining an interior space for receiving waste materials

9. The extender of claim 8, wherein the interior space defined by the plurality of walls in the second position creates an added storage capacity of the garbage can, located exterior to an interior of the garbage can.

10. The extender of claim 8, wherein at least two walls of the plurality of walls are spring loaded.

11. The extender of claim 8, wherein the plurality of walls are hingedly connected to the lid of the garbage can.

12. The extender of claim 10, wherein at least one wall of the plurality of walls is not spring loaded, and is manually raised into the second position.

13. The extender of claim 8, wherein the waste materials in the interior space of the extender are disposed of in a single motion that also empties waste materials from an interior of the garbage can.

14. A method for collecting garbage, utilizing the apparatus as claimed in claim 8.

15. A method for collecting garbage, comprising:
providing a garbage can, the garbage can having a lid and sized and dimensioned to be manipulated by a garbage truck, wherein the garbage can includes a substantially rigid body and a closed bottom;

providing an extender permanently coupled to the lid of the garbage can, the extender including a plurality of walls. wherein, when in a first position, the plurality of walls are collapsed into a flat position on the lid of the garbage can, wherein, when in a second position, the plurality of walls are in an upright position defining an interior space for receiving waste materials; and

at the same time, collecting waste materials from the garbage can and the extender using a mechanical means of the garbage collection means.

16. The method of claim 12, wherein the extender and the garbage can are emptied of waste materials in a same motion.

17. The method of claim 12, wherein waste materials located within an interior space of the extender is emptied without an operator touching the extender.

18. The method of claim 12, further comprising: providing a replacement extender when the extender is disposed of along with the waste materials.

19. The method of claim 12, further comprising: forming one or more guide elements on the lid of the garbage can.

* * * * *