

(19) World Intellectual Property Organization
International Bureau



(43) International Publication Date
29 May 2008 (29.05.2008)

PCT

(10) International Publication Number
WO 2008/064373 A3

(51) International Patent Classification:
E03D 9/05 (2006.01)

(21) International Application Number:
PCT/ZA2007/000074

(22) International Filing Date:
15 November 2007 (15.11.2007)

(25) Filing Language: English

(26) Publication Language: English

(30) Priority Data:
2006/09697 22 November 2006 (22.11.2006) ZA

(71) Applicant and

(72) Inventor: **ROSS-KENT, Dylan, Hugh** [ZA/ZA]; 1
Kingston Estate, Ballito, Kwa Zulu Natal, 4420 Durban
(ZA).

(74) Agent: **MORRISON FORSTER INC.**; FMI House, Gle-
neagles Park., Gleneagles Park, Mount Edgecombe, Kwa
Zulu Natal /, P O Box 2004, Mount Edgecombe, Kwa Zulu
Natal, 4300 Durban (ZA).

(81) Designated States (*unless otherwise indicated, for every
kind of national protection available*): AE, AG, AL, AM,

AT, AU, AZ, BA, BB, BG, BH, BR, BW, BY, BZ, CA, CH,
CN, CO, CR, CU, CZ, DE, DK, DM, DO, DZ, EC, EE, EG,
ES, FI, GB, GD, GE, GH, GM, GT, HN, HR, HU, ID, IL,
IN, IS, JP, KE, KG, KM, KN, KP, KR, KZ, LA, LC, LK,
LR, LS, LT, LU, LY, MA, MD, ME, MG, MK, MN, MW,
MX, MY, MZ, NA, NG, NI, NO, NZ, OM, PG, PH, PL,
PT, RO, RS, RU, SC, SD, SE, SG, SK, SL, SM, SV, SY,
TJ, TM, TN, TR, TT, TZ, UA, UG, US, UZ, VC, VN, ZA,
ZM, ZW.

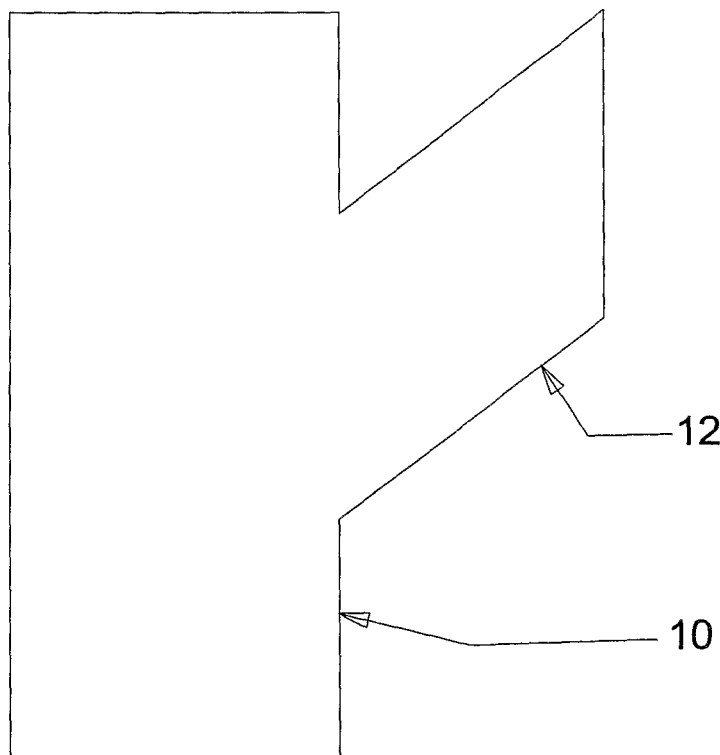
(84) Designated States (*unless otherwise indicated, for every
kind of regional protection available*): ARIPO (BW, GH,
GM, KE, LS, MW, MZ, NA, SD, SL, SZ, TZ, UG, ZM,
ZW), Eurasian (AM, AZ, BY, KG, KZ, MD, RU, TJ, TM),
European (AT, BE, BG, CH, CY, CZ, DE, DK, EE, ES, FI,
FR, GB, GR, HU, IE, IS, IT, LT, LU, LV, MC, MT, NL, PL,
PT, RO, SE, SI, SK, TR), OAPI (BF, BJ, CF, CG, CI, CM,
GA, GN, GQ, GW, ML, MR, NE, SN, TD, TG).

Published:

- *with international search report*
- *before the expiration of the time limit for amending the
claims and to be republished in the event of receipt of
amendments*

(88) Date of publication of the international search report:
21 August 2008

(54) Title: TOILET FLUSHING PIPE



(57) Abstract: A plumbing unit includes a length of flush pipe (10) and a vent pipe comprising a length of a standard diameter pipe (12) joined to the flush pipe at an angle in the form of a Y-piece.



WO 2008/064373 A3

INTERNATIONAL SEARCH REPORT

International application No
PCT/ZA2007/000074

A. CLASSIFICATION OF SUBJECT MATTER INV. E03D9/05				
According to International Patent Classification (IPC) or to both national classification and IPC				
B. FIELDS SEARCHED				
Minimum documentation searched (classification system followed by classification symbols) E03D				
Documentation searched other than minimum documentation to the extent that such documents are included in the fields searched				
Electronic data base consulted during the international search (name of data base and, where practical, search terms used) EPO-Internal, WPI Data				
C. DOCUMENTS CONSIDERED TO BE RELEVANT				
Category	Citation of document, with indication, where appropriate, of the relevant passages	Relevant to claim No.		
X	DE 200 08 281 U1 (GISTL EGMONT [DE]) 8 March 2001 (2001-03-08) page 3 - page 4; figure 1 -----	1,3 2		
Y	DATABASE WPI Section Ch, Week 199737 Thomson Scientific, London, GB; Class M26, AN 1997-394383 XP002474563 CHEN B, ET A, GAO Y, LI Z: "Seamless aluminium alloy pipe for tap water" & CN 1 112 211 A (BAILIANHE ALUMINIUM MILL HUANG [CN]) 22 November 1995 (1995-11-22) abstract -----	2		
X	GB 11308 A A.D. 1904 (MCWHAN JOHN) 27 April 1905 (1905-04-27) the whole document ----- -/--	1,3		
<input checked="" type="checkbox"/> Further documents are listed in the continuation of Box C. <input checked="" type="checkbox"/> See patent family annex.				
* Special categories of cited documents :				
<table style="width: 100%; border: none;"> <tr> <td style="width: 50%; border: none; vertical-align: top;"> *A* document defining the general state of the art which is not considered to be of particular relevance *E* earlier document but published on or after the international filing date *L* document which may throw doubts on priority claim(s) or which is cited to establish the publication date of another citation or other special reason (as specified) *O* document referring to an oral disclosure, use, exhibition or other means *P* document published prior to the international filing date but later than the priority date claimed </td> <td style="width: 50%; border: none; vertical-align: top;"> *T* later document published after the international filing date or priority date and not in conflict with the application but cited to understand the principle or theory underlying the invention *X* document of particular relevance; the claimed invention cannot be considered novel or cannot be considered to involve an inventive step when the document is taken alone *Y* document of particular relevance; the claimed invention cannot be considered to involve an inventive step when the document is combined with one or more other such documents, such combination being obvious to a person skilled in the art. *&* document member of the same patent family </td> </tr> </table>			*A* document defining the general state of the art which is not considered to be of particular relevance *E* earlier document but published on or after the international filing date *L* document which may throw doubts on priority claim(s) or which is cited to establish the publication date of another citation or other special reason (as specified) *O* document referring to an oral disclosure, use, exhibition or other means *P* document published prior to the international filing date but later than the priority date claimed	*T* later document published after the international filing date or priority date and not in conflict with the application but cited to understand the principle or theory underlying the invention *X* document of particular relevance; the claimed invention cannot be considered novel or cannot be considered to involve an inventive step when the document is taken alone *Y* document of particular relevance; the claimed invention cannot be considered to involve an inventive step when the document is combined with one or more other such documents, such combination being obvious to a person skilled in the art. *&* document member of the same patent family
A document defining the general state of the art which is not considered to be of particular relevance *E* earlier document but published on or after the international filing date *L* document which may throw doubts on priority claim(s) or which is cited to establish the publication date of another citation or other special reason (as specified) *O* document referring to an oral disclosure, use, exhibition or other means *P* document published prior to the international filing date but later than the priority date claimed	*T* later document published after the international filing date or priority date and not in conflict with the application but cited to understand the principle or theory underlying the invention *X* document of particular relevance; the claimed invention cannot be considered novel or cannot be considered to involve an inventive step when the document is taken alone *Y* document of particular relevance; the claimed invention cannot be considered to involve an inventive step when the document is combined with one or more other such documents, such combination being obvious to a person skilled in the art. *&* document member of the same patent family			
Date of the actual completion of the international search <p style="text-align: center;">1 April 2008</p>	Date of mailing of the international search report <p style="text-align: center;">30/06/2008</p>			
Name and mailing address of the ISA/ European Patent Office, P.B. 5818 Patentlaan 2 NL - 2280 HV Rijswijk Tel. (+31-70) 340-2040, Tx. 31 651 epo nl, Fax: (+31-70) 340-3016	Authorized officer <p style="text-align: center;">Isailovski, Marko</p>			

INTERNATIONAL SEARCH REPORT

International application No
PCT/ZA2007/000074

C(Continuation). DOCUMENTS CONSIDERED TO BE RELEVANT

Category	Citation of document, with indication, where appropriate, of the relevant passages	Relevant to claim No.
X	DE 103 19 864 A1 (ZIMMER JOERG D H [DE]) 10 February 2005 (2005-02-10) figures -----	1,3
X	DE 200 03 074 U1 (BUHL ERICH [DE]) 7 September 2000 (2000-09-07) figure 3 -----	1
A	GB 2 406 888 A (RODICON LTD [IE]) 13 April 2005 (2005-04-13) figures 14-16 page 1, line 3 - line 20 page 15, line 13 - page 16, line 16 -----	1,3

INTERNATIONAL SEARCH REPORT

Information on patent family members

International application No PCT/ZA2007/000074
--

Patent document cited in search report	Publication date	Publication date	Patent family member(s)	Publication date
DE 20008281	U1	08-03-2001	NONE	

CN 1112211	A	22-11-1995	NONE	

GB 190411308	A	27-04-1905	NONE	

DE 10319864	A1	10-02-2005	NONE	

DE 20003074	U1	07-09-2000	NONE	

GB 2406888	A	13-04-2005	IE 20040618 A2	04-05-2005
			IE 20040619 A1	04-05-2005
