

(19) World Intellectual Property Organization
International Bureau



(43) International Publication Date
12 February 2004 (12.02.2004)

PCT

(10) International Publication Number
WO 2004/014012 A1

- (51) International Patent Classification⁷: **H04L 1/00**
- (21) International Application Number:
PCT/IB2003/003250
- (22) International Filing Date: 16 July 2003 (16.07.2003)
- (25) Filing Language: English
- (26) Publication Language: English
- (30) Priority Data:
02078153.0 1 August 2002 (01.08.2002) EP
- (71) Applicant (for all designated States except US): **KONINKLIJKE PHILIPS ELECTRONICS N.V.** [NL/NL];
Groenewoudseweg 1, NL-5621 BA Eindhoven (NL).
- (72) Inventor; and
- (75) Inventor/Applicant (for US only): **OLIVIERI, Stefano** [IT/IT]; c/o Prof. Holstlaan 6, NL-5656 AA Eindhoven (NL).
- (74) Agent: **DUIJVESTIJN, Adrianus, J.**; Philips Intellectual Property & Standards, Prof. Holstlaan 6, NL-5656 AA Eindhoven (NL).

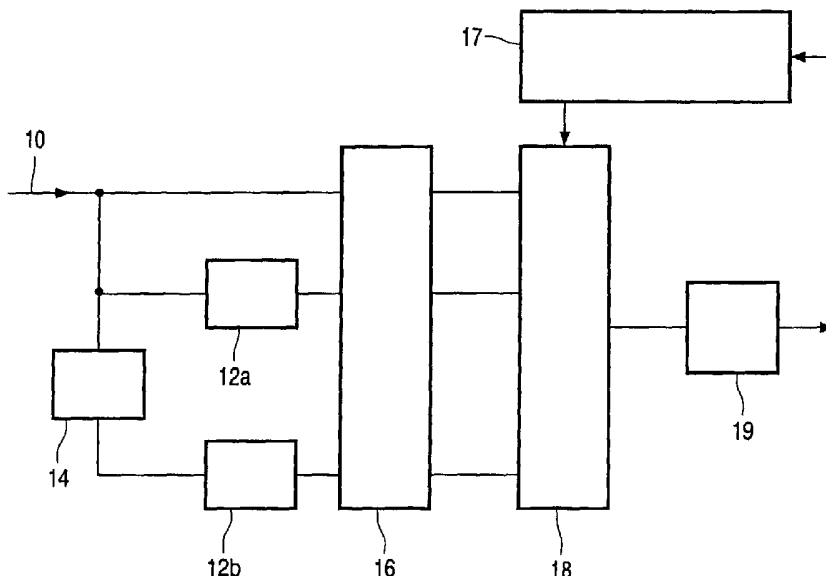
- (81) Designated States (national): AE, AG, AL, AM, AT, AU, AZ, BA, BB, BG, BR, BY, BZ, CA, CH, CN, CO, CR, CU, CZ, DE, DK, DM, DZ, EC, EE, ES, FI, GB, GD, GE, GH, GM, HR, HU, ID, IL, IN, IS, JP, KE, KG, KP, KR, KZ, LC, LK, LR, LS, LT, LU, LV, MA, MD, MG, MK, MN, MW, MX, MZ, NI, NO, NZ, OM, PG, PH, PL, PT, RO, RU, SC, SD, SE, SG, SK, SL, SY, TJ, TM, TN, TR, TT, TZ, UA, UG, US, UZ, VC, VN, YU, ZA, ZM, ZW.
- (84) Designated States (regional): ARIPO patent (GH, GM, KE, LS, MW, MZ, SD, SL, SZ, TZ, UG, ZM, ZW), Eurasian patent (AM, AZ, BY, KG, KZ, MD, RU, TJ, TM), European patent (AT, BE, BG, CH, CY, CZ, DE, DK, EE, ES, FI, FR, GB, GR, HU, IE, IT, LU, MC, NL, PT, RO, SE, SI, SK, TR), OAPI patent (BF, BJ, CF, CG, CI, CM, GA, GN, GQ, GW, ML, MR, NE, SN, TD, TG).

Declaration under Rule 4.17:

— as to applicant's entitlement to apply for and be granted a patent (Rule 4.17(ii)) for the following designations AE, AG, AL, AM, AT, AU, AZ, BA, BB, BG, BR, BY, BZ, CA, CH, CN, CO, CR, CU, CZ, DE, DK, DM, DZ, EC, EE, ES, FI, GB, GD, GE, GH, GM, HR, HU, ID, IL, IN, IS, JP, KE,

[Continued on next page]

(54) Title: CODING AND DECODING FOR RATE MATCHING IN DATA TRANSMISSION



(57) Abstract: Information is encoded according to an error protecting code. The coding rate is dynamically selected. In an interleaving and puncturing unit the information symbols and parity symbols are interleaved with a predetermined interleaving scheme for protection against burst errors during transmission. The interleaved parity symbols are punctured, puncturing being controlled dynamically by the selected coding rate. The interleaved and punctured symbols are used to transmit modulated information via a transmission channel. By interleaving the information symbols and parity symbols prior to puncturing at the dynamically selected rate it is easier to ensure that during modulation of the punctured symbols optimum use is made of the error properties of the transmission channel.

WO 2004/014012 A1



KG, KP, KR, KZ, LC, LK, LR, LS, LT, LU, LV, MA, MD, MG, MK, MN, MW, MX, MZ, NI, NO, NZ, OM, PG, PH, PL, PT, RO, RU, SC, SD, SE, SG, SK, SL, SY, TJ, TM, TN, TR, TT, TZ, UA, UG, UZ, VC, VN, YU, ZA, ZM, ZW, ARIPO patent (GH, GM, KE, LS, MW, MZ, SD, SL, SZ, TZ, UG, ZM, ZW), Eurasian patent (AM, AZ, BY, KG, KZ, MD, RU, TJ, TM), European patent (AT, BE, BG, CH, CY, CZ, DE, DK, EE, ES, FI, FR, GB, GR, HU, IE, IT, LU, MC, NL, PT, RO, SE, SI, SK, TR), OAPI patent (BF, BJ, CF, CG, CI, CM, GA, GN, GQ, GW, ML, MR, NE, SN, TD, TG)

Published:

— with international search report

For two-letter codes and other abbreviations, refer to the "Guidance Notes on Codes and Abbreviations" appearing at the beginning of each regular issue of the PCT Gazette.

CODING AND DECODING FOR RATE MATCHING IN DATA TRANSMISSION

The invention relates to an information processing apparatus with an error protecting encoders and decoders and to a method of encoding and/or decoding.

US patent No. 6,272,183 describes data transmission that uses so-called Turbo-coding. A Turbo-code encoder adds parity bits to information bits in order to enable correction when errors occur in the information bits. During encoding different sets of parity bits are computed, each as a function of the information bits, but each taking account of the information bits in a different interleaved (permuted) sequence. The information bits and parity bits are transmitted via a communication channel and subsequently the parity bits are used to correct errors in the information bits.

The parity bits may be "punctured" (i.e. some of the parity bits may be omitted) prior to transmission. This results in a reduction of the data rate for transmission through the channel at the expense of error correcting capacity. US patent No. 6,272,183 describes how the frequency with which parity bits are punctured can be dynamically adapted to support a variable Quality of Service, i.e. to adapt the data rate and the error correcting capacity to dynamical circumstances, such as the availability of bandwidth and the probability of errors.

The effect of errors during transmission may be further reduced by adapting the way in which the bits are modulated so as to minimize the effect of the most likely errors during transmission. For example, one way of transmitting the information bits is the QAM technique, in which groups of bits from the information and parity bits are formed, the values of the bits of each group serving to select a vector with an amplitude and phase of carrier modulation that are to be used to transmit information about the group. In QAM the set of possible modulation vectors that may be selected forms a grid of vectors. A so-called gray labeling technique is preferably used for assigning different modulation vectors to different values of the combination of bits in a group, to ensure that neighboring vectors correspond to different possible values of the combination of bits in the group that differ at one bit position only. Thus, demodulation errors that confuse adjacent vectors will only cause (correctable)

one bit errors. When parity bits are used, each group preferably contains one or more parity bits and, if so, it is preferably ensured that that neighboring vectors correspond to different possible values of the bits in the group that differ at one parity bit position only. Thus, demodulation errors that confuse adjacent vectors will mainly cause parity bit errors, which are less damaging than information bit errors.

In a separate development it has been known to use interleaving between encoding and modulation. Interleaving distributes those information bits and parity bits that are to be used together to correct errors over different modulation vectors, which are transmitted separately from one another. A single burst of fading in transmission will only affect modulation symbols that are not separate from one another. As a result interleaving distributes the effect of a burst of fading over bits that are corrected independently of one another, thus preserving a high probability that the effect of the burst can be corrected.

When such post-encoding interleaving is combined with gray labeling one has to keep track of whether the interleaved bits are information bits or parity bits. Also, care has to be taken that interleaving does not mix too many information bits that are to be used together for correction in the same modulation vector. This requires particular care in the case of turbo-codes, where the information bits and parity bits are related in several different ways due to interleaving prior to parity bit generation.

Taking such care becomes even more difficult when the puncturing rate is adapted dynamically to support a required quality of service.

Accordingly it is, among others, an object of the invention to provide for an apparatus with an error correcting encoder that uses variable rate puncturing and interleaving after parity generation in which modulation with proper gray labeling is simplified.

The invention provides for an apparatus as set forth in Claim 1. According to the invention the interleaving for protection against burst errors is performed after generation of parity symbols, but effectively before puncturing. The rate of puncturing is dynamically adapted, for example dependent on the required quality of service. The punctured symbols are used to modulate a transmission signal. A predetermined interleaving scheme is used, not adapted to the selected rate of puncturing. Generally, the information symbols will also be interleaved as part of the interleaving scheme to protect against burst errors, but these information symbols need not be punctured. A predetermined interleaving scheme with sufficient protection against burst errors can be used. As a result the interleaving of parity

symbols do not interact puncturing to have a complex effect on modulation. None of the interleaving scheme needs to depend on the rate of puncturing.

In an embodiment interleaving is performed using interleaving memory, the parity symbol generator writing the parity symbols into the interleaving memory. The modulator maps the parity symbols to positions in modulation symbols according to the locations at which the parity symbols have been written into the memory. By using an *interleaving scheme that determines the relation between the locations where respective output symbols of the parity generators are written and the locations from which symbols for use at certain positions are read* related parity symbols and information symbols are distributed over separated modulation symbols. In an embodiment several sets of parity symbols are generated, a first set by convolution of incoming information symbols in their original order and a second set by convolution of the incoming information bits in permuted order. In this embodiment the information symbols and the parity symbols from the first set are interleaved with a first interleaving scheme and the parity symbols from the second set are interleaved with a second interleaving scheme, both prior to puncturing. By keeping the interleaving of the second set apart a minimum of additional latency is added to the second set, which already has a latency due to the permutation prior to generation of the parity symbols.

Receivers of modulated signals can be adapted accordingly, so that the interleaving scheme does not depend on variations in the rate of puncturing.

These and other objects and other advantageous aspects of the apparatuses and methods according to the invention will be described in more detail using the following figures.

Fig. 1 shows an apparatus with an encoder

Fig. 2 illustrates modulation

Fig. 3 shows a an interleaver and a puncturer

Fig. 4 shows a further apparatus with an encoder

Fig. 5 shows a transmission system

Fig. 1 shows an apparatus with a turbo encoder. The apparatus has an input 10 and contains convolution encoders 12a,b, a first interleaver 14, a second interleaver 16, a

coding rate control unit 17, a puncturer 18 and a modulator 19. Input 10 is coupled to second interleaver 16 directly, via a first one of the convolution encoders 12a, and via a series connection of first interleaver and a second one of the convolution encoders 12b. Second interleaver 16 has outputs coupled to puncturer 18, which has an output coupled to modulator 19. Coding rate control unit 17 has an output coupled to a control input of puncturer 18.

In operation convolution encoders 12a,b and first interleaver 14 perform turbo-encoding in a way that is known per se. That is, they produce parity bits to supplement information bits that are received at input 10. Generally speaking, encoding may alternatively involve information symbols and parity symbols, each of which may require a plurality of bits to represent, but in the following the invention will be described for information bits and parity bits, it being understood that the invention applies to symbols as well.

The first one of the convolution encoders 12a computes first parity bits as a convolution of the stream of information bits that arrives at input 10. First interleaver 14 interleaves (permutes the sequence of) the stream of information bits that is received at the input. The second one of the convolution encoders 12b computes second parity bits as a function of the interleaved stream. Although a turbo-coder has been illustrated that generates two streams of parity bits, it will be understood that the invention applies to any encoder that produces parity bits, for example an encoder with more than two convolution encoders, each applied to a differently interleaved stream of information bits.

Second interleaver 16 and puncturer 18 feed the information bits and the parity bits to modulator 19. Modulator 19 modulates the information bits and the parity bits onto a transmission signal. The transmission signal may be transmitted for example with radio frequency wireless transmission, but of course the invention may also be applied when transmission is via any other kind of channel, e.g. via temporary or permanent storage of the modulated signal in a medium, such as a magnetic storage device.

As an example of modulation Fig. 2 illustrates how a QAM signal is modulated. In successive modulation cycles the modulation of the QAM signal is described by successive modulation vectors (phase and amplitude of the transmission signal; only one vector 20 being indicated a reference sign for the sake of clarity). The figure shows a constellation of sixteen possible modulation vectors 20 that can be used. In each modulation cycle four bits (information bits and/or parity bits) select which vector is used. This is done with gray labeling, that is, in a way so that neighboring ones vectors 20 correspond to values of the four bits that differ only in one bit. As a result a demodulation error that confuse neighboring vectors, which is the most probable type of error, will result only in one

erroneous bit. This may be realized for example by using two of the four bits to select the coordinate of the vector 20 along the Y axis and the remaining two bits to select the coordinate of the vector along the X-axis, successive vectors along the axis being selected by the values 00, 01, 11, 10 of the relevant bits successively. It should be appreciated that the sixteen vector constellation of Fig. 2 is merely an example: in practice larger constellations of for example 8x8 vectors may be used.

Preferably the relation between the values of the bits and the vectors in the constellation is selected so the bit that differs between two bit patterns that correspond to neighboring vectors 20 is a parity bit. As a result a demodulation error that confuse neighboring vectors, which is the most probable type of error, is more likely to result in a parity bit error than in an information bit error, which is more difficult to correct.

The invention is not limited this type of QAM modulation, or indeed to QAM modulation. The relevant point for the invention is that modulator 19, at least to some extent, has to treat information bits and parity bits differently. Therefore modulator 19 should be able to distinguish at least some of the parity bits and the information bits.

Second interleaver 16 interleaves the information bits and the first and second parity bits. This is done in anticipation of modulation and transmission, so that information bits and parity bits that may be used together to correct errors are modulated in different modulation cycles that are separate form one another by a longer time than the duration of typical burst errors during transmission. Burst errors can cause a large number of bit errors. Because of the interleaving by second interleaver 16 these errors will be distributed so that individual ones of the errors, or small numbers of the errors can be corrected independently of one another.

Coding rate control unit 17 receives a control signal that indicates the required coding rate. The coding rate may be selected for example as a function of a measured error rate during transmission, or dependent on a level of protection against errors that is needed for the specific information that is being transmitted, or dependent on the available bandwidth. Dependent on the selected coding rate coding rate control unit 17 supplies a control signal to puncturer 18.

Puncturer 18 selectively passes parity bits from second interleaver 16 to modulator 19. The fraction of the parity bits that puncturer 18 passes determines the coding rate. Accordingly, puncturer 18 adjusts the selection of the parity bits dependent on the control signal from coding rate control unit 17, so that the required fraction of parity bits is

passed to modulator 19. The more of the parity bits are passed, the better the error protection, at the expense of a higher bandwidth need.

Fig. 3 shows an embodiment of the interleaver and puncturer. The embodiment contains a multiport memory 30, a first and second addressing unit 32, 34 and a puncturer 36 (multiport memories are known per se. They may be realized for example using a single port memory attached to a multiplexing bus structure). A first port of memory 30 has a data input coupled to at least the output of the parity bit generators (not shown). For the sake of clarity only a single input is shown, but it should be understood that this input may connect to multiple parity bit generators (e.g. via a multiplexer, not shown) and also the input for information bits. An address input of the first port is coupled to first addressing unit 32. A second port of memory 30 has a data output coupled to puncturer 36 (here too only a single connection is shown for the sake of clarity). Second addressing unit 34 is coupled to the address input of the second. First addressing unit 32, second addressing unit 34, puncturer 36 and modulator 19 are clocked with a system clock CK.

In operation at least parity bits are supplied to the data input of the first port of memory 30 during successive clock cycles, but preferably both parity bits and information bits are supplied. First addressing unit supplies addresses for storing these parity bits, for example in an increasing order of addresses $A(i) = \text{base} + (i \bmod I)$, ($i=0, 1, 2, \dots$) that wraps around after a number I of clock cycles. Second addressing unit 34 generates a permuted series of addresses to read the parity bits (and preferably also the information bits) from memory 30 in a different order than in which they were written to interleaved at least the parity bits. An example of the sequence of addresses uses as j th address $A(j)$ ($j=0, 1, 2, \dots$)

$$A(j) = \text{base} + [(d*j+a) \bmod I]$$

Where " I " is an interleaving block size, " d " is a step size which is relatively prime with I (d and I have no common divisor other than 1), and moreover $d+1$ is smaller than the square root of two times I , " a " and " base " are offset that may be selected arbitrarily. In this way parity bits that have been written at adjacent locations are distributed, with a distance d between the indices j used during reading. When used in modulation symbols indexed by " j ", burst errors with lengths that correspond to less than d can be corrected. (It will be understood that the particular formula for $A(j)$ is shown merely by way of example. Many other formulas for interleaving are known per se). Puncturer 36 selects a subset of the parity bits that it receives from memory 30 and supplies these only the selected parity bits to

modulator 19 for use in modulation. Interleaving need not be adapted to changes in the fraction of parity bits that is selected, for example the block size I and the distance d need not be changed. (Of course in fact an arbitrary change of interleaving, such as a change in code size I and/or distance d may be applied, but this change does not depend on the selected fraction of parity bits).

It will be understood that the embodiment of Fig. 3 is merely given by way of example. Other embodiments may be used instead, for example an embodiment wherein puncturer 36 does not receive all parity bits, but emits addresses for those parity bits that will be used by modulator 19 (skipping the parity bits that are punctured). In this case, second addressing unit 34 may be replaced by an addressing unit that maps addresses "j" from puncturer 36 to the interleaved addresses $A(j)$ for memory 30. As another alternative, first addressing unit 32 may supply addresses for writing parity bits into memory 30 in an interleaved sequence (the inverse of $A(j)$), puncturer 36 addressing the selected parity bits without address translation (with address "j"). Also both writing into memory 30 and reading from memory 30 may involve a form of interleaved addressing.

In each case the way that the addresses are determined does not depend on the particular coding rate selected by coding rate control unit 17. That is, each parity bit is interleaved with the other parity bits in a predetermined way, selection of those parity bits that are actually used (omitting punctured parity bits) being performed by selecting according to the position "j" of the parity bit in the interleaved order $A(j)$.

Although the functional description of the encoding process is that addressing units 32, 34, combined with memory 30 take care of interleaving, and that puncturer 36 takes care of puncturing, the modulator taking care of modulation, these functions may of course be distributed differently. For example, reading from memory 30 may be driven by modulator 19, the modulator requesting parity bits from the interleaver, either using addresses according to the particular position in the vectors of the modulation cycles in which the parity bit is to be used or by requesting the parity bits for different positions sequentially in a fixed order. In this case the function of puncturer 36 may be included in modulator 19, modulator 19 selecting which parity bits to use and which not to use, and supplying the addresses of each particular selected parity bits to memory 30 when modulator needs the particular bit. As an alternative puncturer 36 may translate the requests for addressed bits from modulator 19 into addresses for memory (possibly subject to further translation by second addressing unit 34), in a way that skips some parity bits that are punctured, and supply the addresses to memory.

Also, although the invention has been described using bits (information bits and parity bits) as the basic units of encoding, interleaving and modulation, the invention can of course be applied using larger units of manipulation, such as n-bit words. Bits or such larger units will both be referred to as symbols. The invention applies interleaving of such symbols prior to puncturing of these symbols and modulation of combination of these symbols.

Memory 30 may use double buffering, wherein one memory area is used to write parity bits and another area is used to read parity bits, the roles of the areas being periodically swapped. But a single area may be used instead, if a proper addressing scheme is used. A single memory 30 may be used to interleave the parity bits as well as the information bits. In this case, a multiplexer may be used to collect these bits from different sources. Alternatively, separate memories (not shown), or independently addressed different memory ranges may be used for interleaving information bits on one hand and parity bits on the other hand, or even for different sets of parity bits.

Fig. 4 shows a further apparatus with an encoder. In this further apparatus two second interleavers 40, 42 are used after parity bit generation. A first one of the second interleavers 40 receives and interleaves information bits and parity bits from the convolution encoder 12a that convolutes non-interleaved information bits. A second one of the second interleavers 42 receives and interleaves parity bits from the convolution encoder 12b that convolutes interleaved information bits.

The advantage of splitting the second interleaver is that latency is reduced. Interleavers introduce latency in proportion to the number of bits involved. The total latency is reduced by involving a smaller number of bits in the second one of the second interleavers 42, which processes the parity bits that already have additional latency because of interleaving by first interleaver 14 prior to parity bit generation.

Fig. 5 shows a transmission system, comprising an encoder/modulator 50, a channel 52 and a decoder 54. Decoder 54 comprises a demodulator 540, a de-interleaver 542 and an error correction unit 544 in series with one another. A rate control unit 546 controls error correction unit and de-interleaver dependent on a puncture rate. Channel 52 may have any nature: it may be the ether, in case of wireless transmission or it may be a storage medium on which the modulated signal is stored, for example. Encoder 50 is of a type that applies a predetermined type of interleaving information and parity bits prior to puncturing, for example an encoder of the type shown in Fig. 1 or 4.

In operation, demodulator 540 demodulates information bits and parity bits from the transmitted signal. De-interleaver 542 de-interleaves the information bits and parity bits and error correction unit 544 corrects errors in the information bits, as far as possible. A predetermined de-interleaving scheme is used, independent of the rate of puncturing, using dummy bits at the positions of parity bits that have been punctured. De-interleaver 542 comprises a memory in which at least the parity bits are written and from which these parity bits are read to perform de-interleaving. Each parity bit is written at a predetermined location according to its relation to other parity bits and information bits in the error correcting code. Rate control unit 546 signals to de-interleaver 542 which locations have to be skipped or filled with dummy bits, because the corresponding parity bits have been suppressed by puncturing. Subsequently encoder reads the parity bits from memory in de-interleaved form.

CLAIMS:

1. An information processing apparatus comprising:
 - an encoder for encoding information according to an error protecting code;
 - a modulator for modulating information from the encoder in a transmission signal;
 - a control unit for dynamically selecting a coding rate that is to be used by the encoder, wherein the encoder comprises:
 - an input for receiving information symbols;
 - a parity symbol generator for generating parity symbols from the information symbols;
 - an interleaving and puncturing unit that interleaves the information symbols and parity symbols with a predetermined interleaving scheme for protection against burst errors in the transmission signal, the interleaving and puncturing unit puncturing the interleaved parity symbols subsequent to said interleaving, puncturing being controlled dynamically by the selected coding rate.
2. An information processing apparatus according to Claim 1, wherein the interleaving and puncturing unit comprises an interleaving memory, the parity symbol generator writing the parity symbols into the interleaving memory, the modulator mapping the parity symbols to positions in modulation symbols according to the locations at which the parity symbols have been written into memory, writing and mapping being coordinated to result in interleaving of at least the parity symbols so that related parity symbols and information symbols are distributed over mutually separated modulation symbols, a subset of the generated and stored parity symbols being mapped to the modulation symbols, a size of the subset being controlled dynamically by the selected coding rate, the subset being defined by selecting the locations that are mapped to positions in the modulation symbols.
3. An information processing apparatus according to Claim 1, wherein the parity symbol generator comprises a first convolution encoder and a pre-encoding interleaver coupled to the input and a second convolution encoder cascaded behind the pre-encoding

interleaver, the interleaving and puncturing unit comprising a first post encoding interleaver, coupled to interleave the information symbols and an output of the first convolution encoder, and a second post-encoding interleaver coupled to interleave an output of the second convolution encoder, separate from the first post encoding interleaver.

4. A method of transmitting information, the method comprising:
 - generating parity symbols from the information symbols;
 - interleaving the information symbols and parity symbols with a predetermined interleaving that protects against burst errors
 - dynamically selecting a coding rate that is to be used for encoding,
 - puncturing the interleaved parity symbols subsequent to said interleaving at a puncturing rate dependent on the dynamically selected coding rate.

5. A method according to Claim 4, the method comprising:
 - writing the parity symbols into an interleaving memory,
 - mapping the parity symbols to positions in modulation symbols according to the locations at which the parity symbols have been written into memory, addresses used during writing and mapping defining an interleaving scheme such that related parity symbols and information symbols are distributed over separated modulation symbols, puncturing being performed by using parity symbols from selected ones of the locations, according to the dynamically selected coding rate.

6. An information processing apparatus comprising:
 - a demodulator for demodulating information from a transmission signal;
 - a control unit for dynamically indicating a coding rate that has been used for encoding the transmission signal;
 - a de-interleaver comprising a memory, the demodulator writing the demodulated information into the memory according to a coding rate independent address scheme, skipping locations for parity bits that the control unit indicates to have been suppressed by puncturing;
 - an error correction unit for correcting errors in the demodulated information, the error correction unit being arranged to read the demodulated information from the memory in de-interleaved terms.

7. A method of receiving and correcting information, the method comprising:
- demodulating information from a transmission signal;
 - dynamically indicating a coding rate that has been used for encoding the transmission signal;
 - de-interleaving the demodulated information by writing the demodulated information into a memory according to a predetermined coding rate independent scheme, skipping memory locations for parity bits that the control unit indicates to have been suppressed by puncturing;
 - read the demodulated information from the memory in de-interleaved terms
 - correcting errors in the de-interleaved demodulated information.

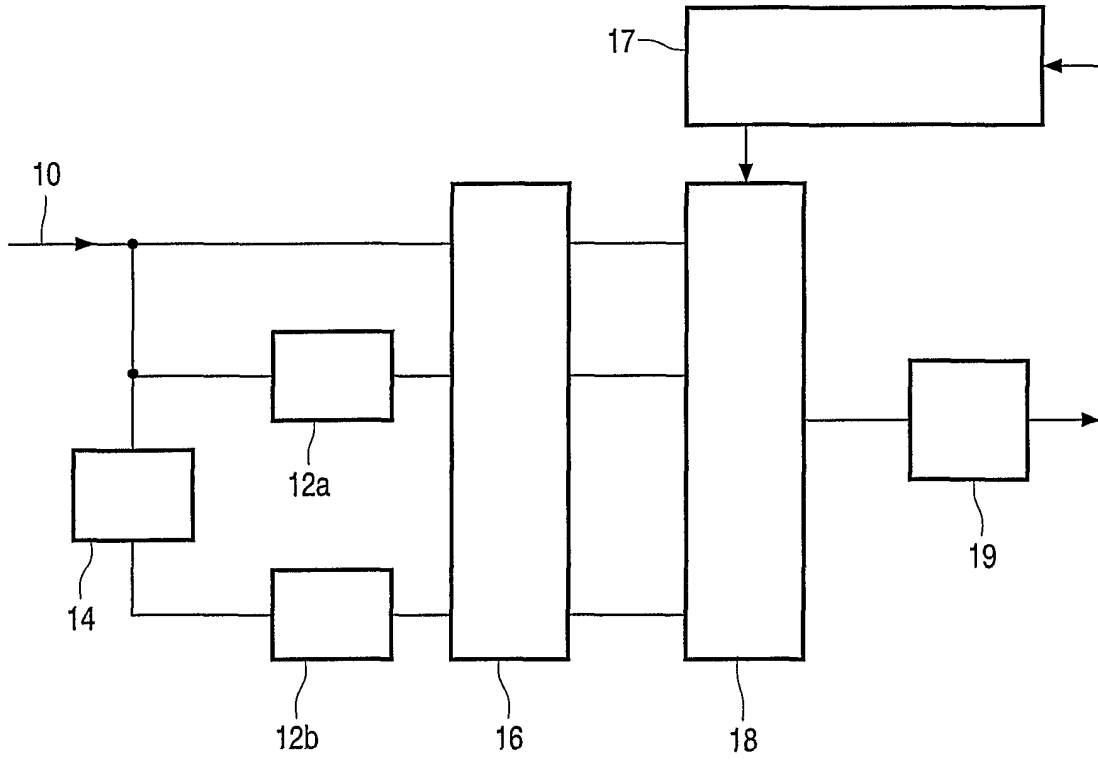


FIG. 1

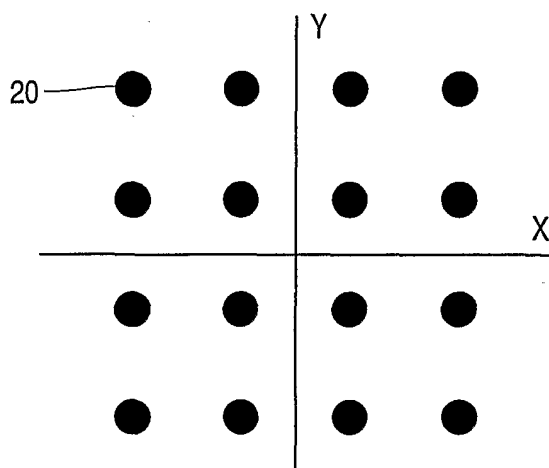


FIG. 2

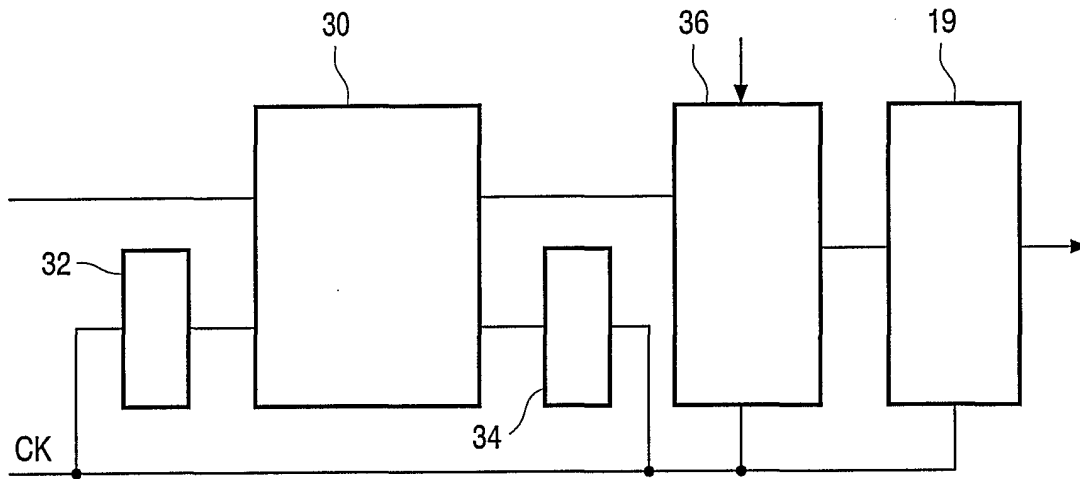


FIG. 3

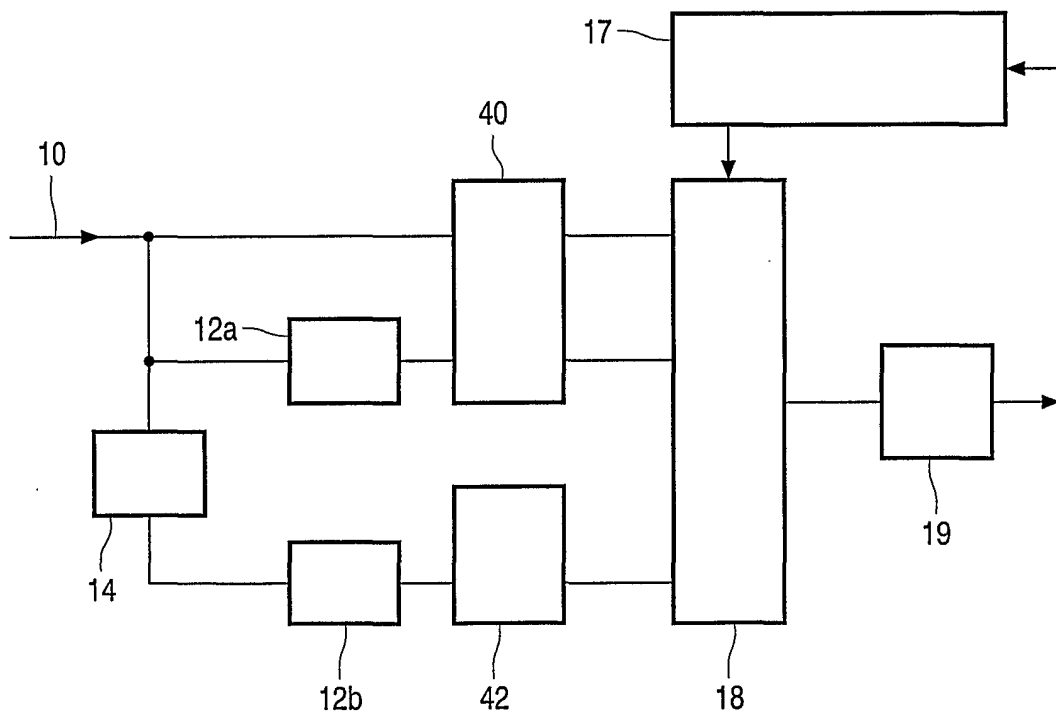


FIG. 4

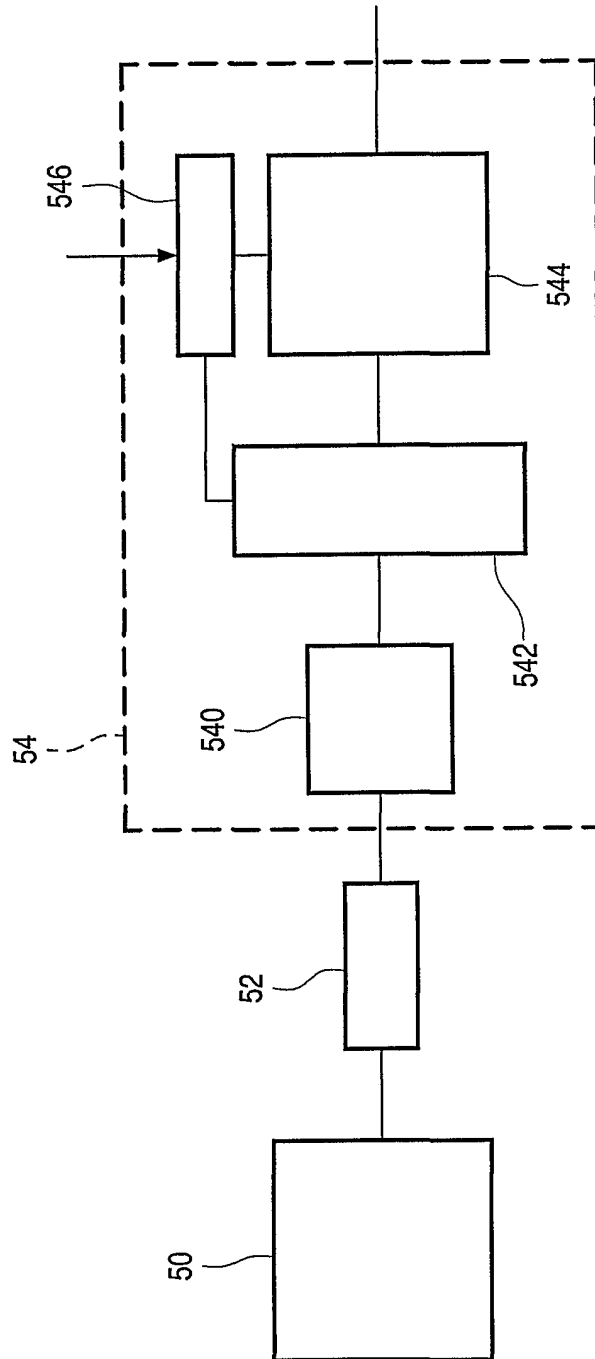


FIG. 5

INTERNATIONAL SEARCH REPORT

International Application No

PCT/IB 03/03250

A. CLASSIFICATION OF SUBJECT MATTER

IPC 7 H04L1/00

According to International Patent Classification (IPC) or to both national classification and IPC

B. FIELDS SEARCHED

Minimum documentation searched (classification system followed by classification symbols)

IPC 7 H04L

Documentation searched other than minimum documentation to the extent that such documents are included in the fields searched

Electronic data base consulted during the international search (name of data base and, where practical, search terms used)

EPO-Internal, WPI Data, PAJ, INSPEC, COMPENDEX

C. DOCUMENTS CONSIDERED TO BE RELEVANT

Category °	Citation of document, with indication, where appropriate, of the relevant passages	Relevant to claim No.
X	EP 1 045 521 A (NORTEL NETWORKS LTD) 18 October 2000 (2000-10-18) page 3, paragraph 17 -page 4 page 6, paragraph 34 - paragraph 36 page 9, paragraph 49 - paragraph 50; figure 5	1-5
X	WO 01 05059 A (SAMSUNG ELECTRONICS CO LTD) 18 January 2001 (2001-01-18) page 6, line 3 - line 7; figures 2,13-15 page 6, line 30 - line 35 page 11, line 3 - line 14 page 21, line 9 -page 22, line 20 -/--	1,3-5

Further documents are listed in the continuation of box C.

Patent-family members are listed in annex.

° Special categories of cited documents :

- *A* document defining the general state of the art which is not considered to be of particular relevance
- *E* earlier document but published on or after the international filing date
- *L* document which may throw doubts on priority claim(s) or which is cited to establish the publication date of another citation or other special reason (as specified)
- *O* document referring to an oral disclosure, use, exhibition or other means
- *P* document published prior to the international filing date but later than the priority date claimed

- *T* later document published after the international filing date or priority date and not in conflict with the application but cited to understand the principle or theory underlying the invention
- *X* document of particular relevance; the claimed invention cannot be considered novel or cannot be considered to involve an inventive step when the document is taken alone
- *Y* document of particular relevance; the claimed invention cannot be considered to involve an inventive step when the document is combined with one or more other such documents, such combination being obvious to a person skilled in the art.
- *Z* document member of the same patent family

Date of the actual completion of the international search

17 October 2003

Date of mailing of the international search report

28/10/2003

Name and mailing address of the ISA

European Patent Office, P.B. 5818 Patentlaan 2
NL - 2280 HV Rijswijk
Tel. (+31-70) 340-2040, Tx. 31 651 epo nl,
Fax: (+31-70) 340-3016

Authorized officer

Papantoniou, A

INTERNATIONAL SEARCH REPORT

International Application No.

PCT/IB 03/03250

C.(Continuation) DOCUMENTS CONSIDERED TO BE RELEVANT		
Category °	Citation of document, with indication, where appropriate, of the relevant passages	Relevant to claim No.
X	<p>US 2001/037485 A1 (ZHANG YUMIN) 1 November 2001 (2001-11-01) page 3, right-hand column, paragraph 35 - paragraph 37 page 3, right-hand column, paragraph 49 -page 4, left-hand column page 4, right-hand column, paragraph 44; figure 2</p> <p style="text-align: center;">----</p>	1,4
X	<p>WO 00 62465 A (ERICSSON TELEFON AB L M) 19 October 2000 (2000-10-19) column 6, line 24 -column 7, line 2 column 7, line 3 - line 8 column 8, line 7 - line 21 column 9, line 5 - line 10 column 10, line 15 -column 11, line 13; figure 3</p> <p style="text-align: center;">----</p>	1,4
X	<p>WO 02 37698 A (QUALCOMM INC) 10 May 2002 (2002-05-10) page 2, line 30 -page 3, line 15 page 8, line 7 - line 27 page 22, line 5 -page 23, line 10 page 30, line 15 - line 32 page 31, line 13 - line 20; figures 2A,2B,5,8,11</p> <p style="text-align: center;">-----</p>	6,7

INTERNATIONAL SEARCH REPORT

Information on patent family members

International Application No

PCT/IB 03/03250

Patent document cited in search report		Publication date	Patent family member(s)	Publication date
EP 1045521	A	18-10-2000	CN 1272733 A	08-11-2000
			EP 1045521 A2	18-10-2000
			JP 2001057521 A	27-02-2001
WO 0105059	A	18-01-2001	AU 751376 B2	15-08-2002
			AU 5711200 A	30-01-2001
			CA 2342939 A1	18-01-2001
			CN 1318232 T	17-10-2001
			DE 20023165 U1	06-03-2003
			EP 1114528 A1	11-07-2001
			JP 2003504938 T	04-02-2003
			WO 0105059 A1	18-01-2001
			KR 2001015255 A	26-02-2001
			PL 346622 A1	25-02-2002
			RU 2201651 C2	27-03-2003
			ZA 200101935 A	04-06-2002
US 2001037485	A1	01-11-2001	AU 6490601 A	03-12-2001
			AU 7492801 A	03-12-2001
			US 2002061024 A1	23-05-2002
			WO 0191331 A2	29-11-2001
			WO 0191312 A2	29-11-2001
			US 2001055351 A1	27-12-2001
			US 2001047503 A1	29-11-2001
			US 2002054655 A1	09-05-2002
WO 0062465	A	19-10-2000	US 6473442 B1	29-10-2002
			AU 4322700 A	14-11-2000
			CA 2370079 A1	19-10-2000
			CN 1355972 T	26-06-2002
			EP 1169802 A1	09-01-2002
			JP 2002542660 T	10-12-2002
			WO 0062465 A1	19-10-2000
			TW 507432 B	21-10-2002
			ZA 200108330 A	10-12-2002
WO 0237698	A	10-05-2002	AU 3252202 A	15-05-2002
			EP 1334568 A2	13-08-2003
			WO 0237698 A2	10-05-2002