



US 20160106475A1

(19) **United States**

(12) **Patent Application Publication**
POTASH et al.

(10) **Pub. No.: US 2016/0106475 A1**

(43) **Pub. Date: Apr. 21, 2016**

(54) **MULTI-AXIAL SPINAL FIXATION SYSTEM**

(52) **U.S. Cl.**

(71) Applicant: **SPINE WAVE, INC.**, Shelton, CT (US)

CPC **A61B 17/7037** (2013.01); **A61B 17/7032**
(2013.01); **A61B 17/7002** (2013.01); **A61B**
17/8605 (2013.01); **A61B 17/8685** (2013.01)

(72) Inventors: **ROBERT POTASH**, Seymour, CT
(US); **ANTHONY JAMES**, Bartlett, TN
(US)

(57)

ABSTRACT

(21) Appl. No.: **14/984,154**

(22) Filed: **Dec. 30, 2015**

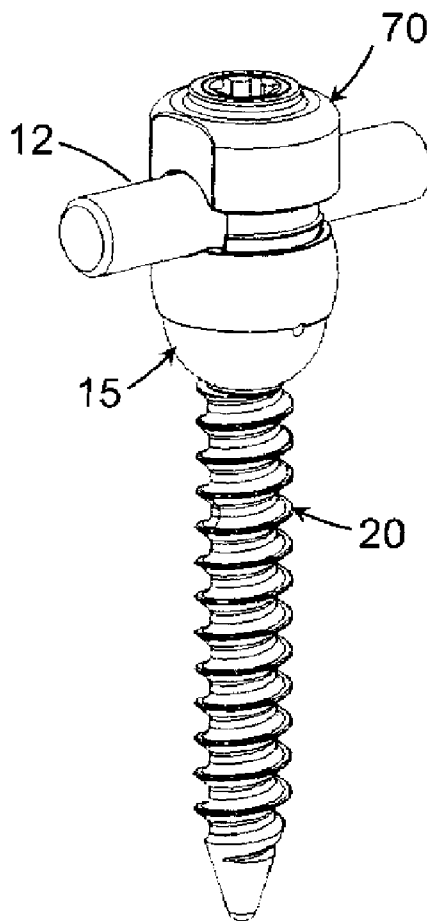
Related U.S. Application Data

(60) Division of application No. 13/925,992, filed on Jun. 25, 2013, now Pat. No. 9,226,777, which is a continuation of application No. 11/762,898, filed on Jun. 14, 2007, now Pat. No. 8,475,500, which is a continuation-in-part of application No. 11/560,587, filed on Nov. 16, 2006, now Pat. No. 8,162,990.

Publication Classification

(51) **Int. Cl.**
A61B 17/70 (2006.01)
A61B 17/86 (2006.01)

A spinal fixation system includes a rod and anchor devices that include a bone engaging fastener having a head defining a spherical socket. A ball insert is placed within the socket and rotated so that the ball insert is juxtaposed with the socket. The anchor device further includes a yoke defining a yoke channel for receiving the rod and a stem engaged to the ball insert captured within the socket. A sleeve disposed between the yoke channel and the fastener head supports the rod. A set screw is operable to clamp the rod against the sleeve and draw the insert into engagement within the socket. A releasable detent defined between the yoke and the fastener head is configured to releasably retain the yoke in at least one discrete position relative to the fastener. Portions of the releasable detent may also exert a frictional retention force against the fastener head.



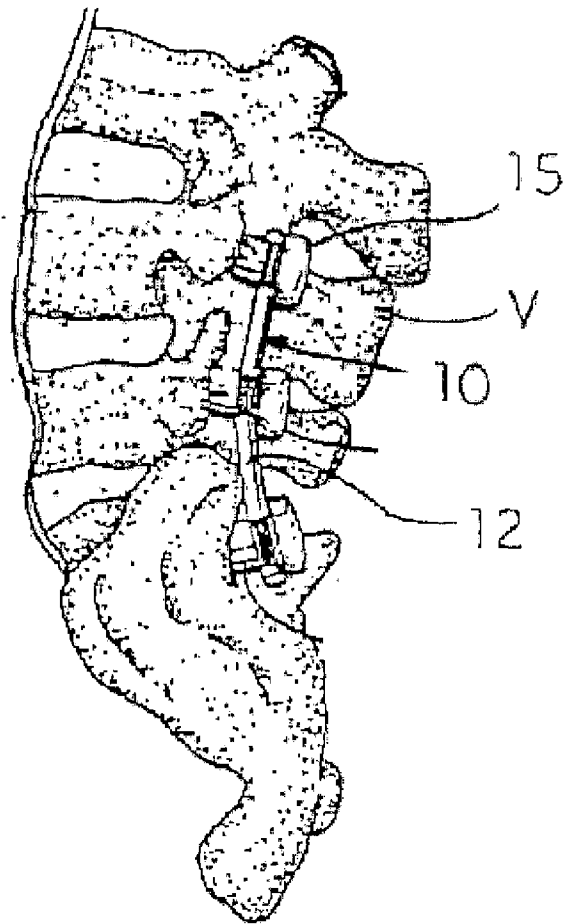


FIG. 1

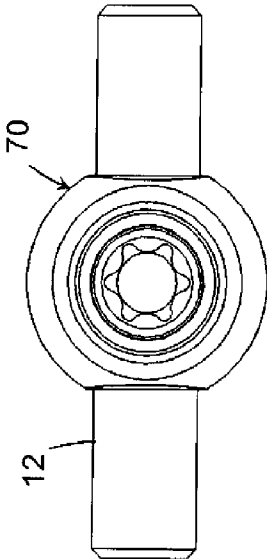


FIG. 3

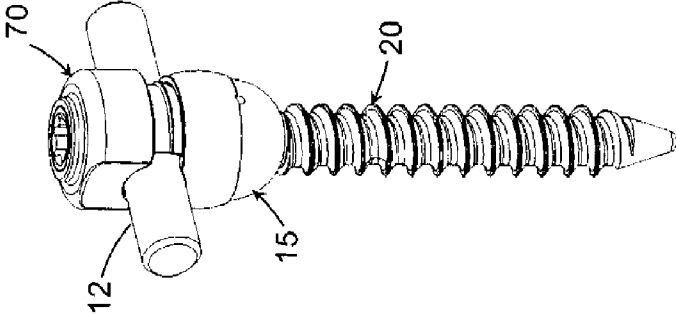


FIG. 2

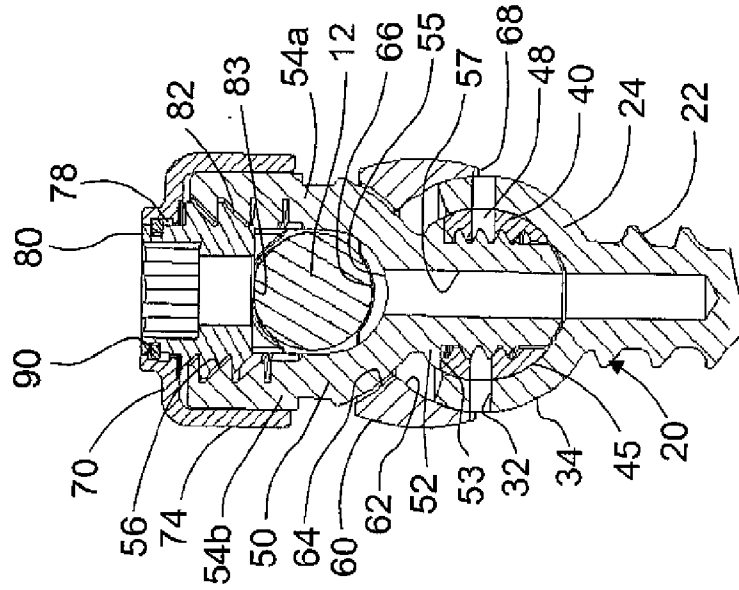


FIG. 5

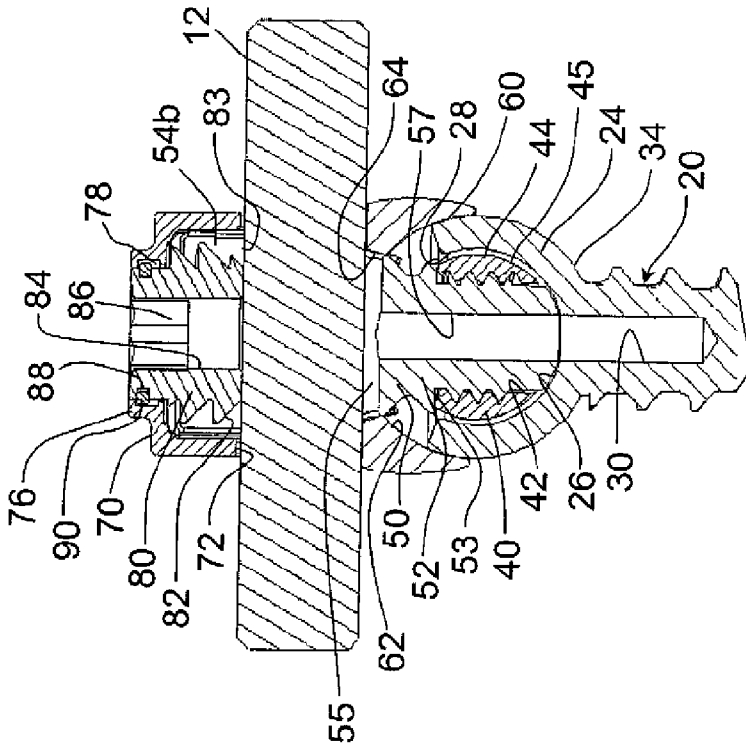


FIG. 4

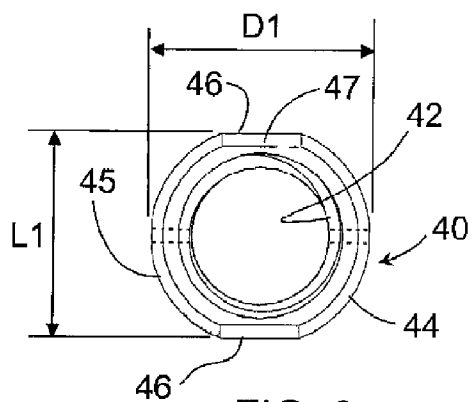


FIG. 6

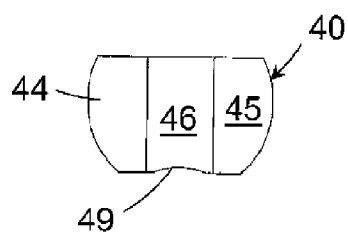


FIG. 7

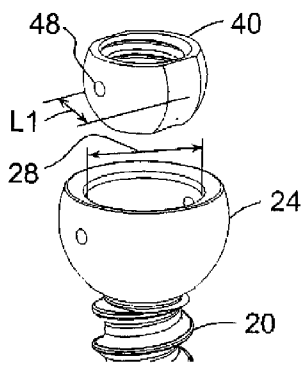


FIG. 8a

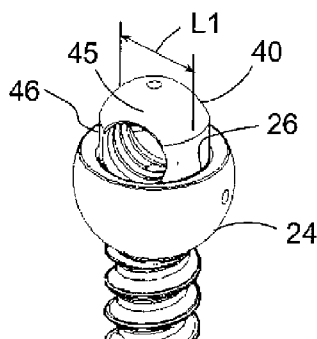


FIG. 8b

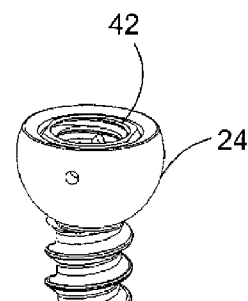


FIG. 8c

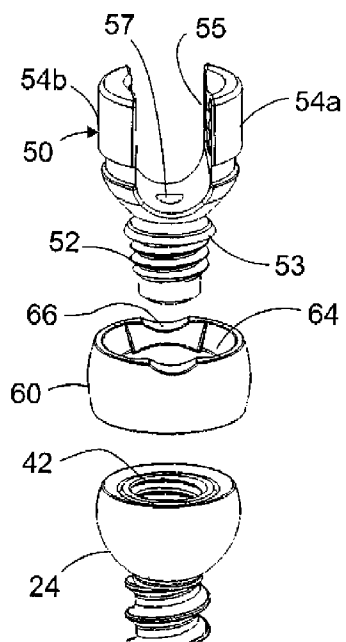


FIG. 8d

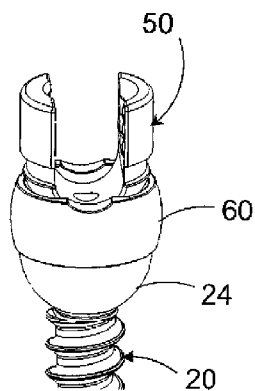


FIG. 8e

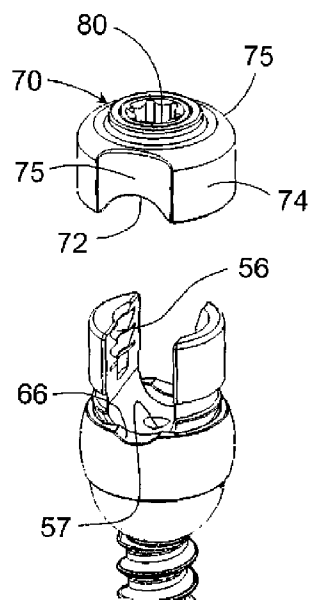


FIG. 8f

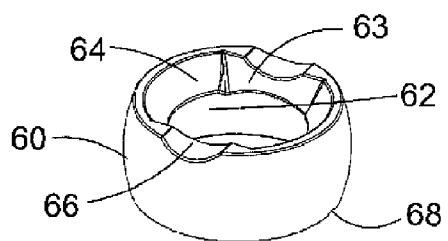


FIG. 9

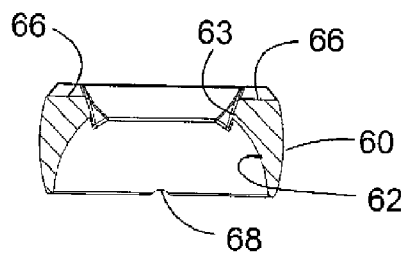
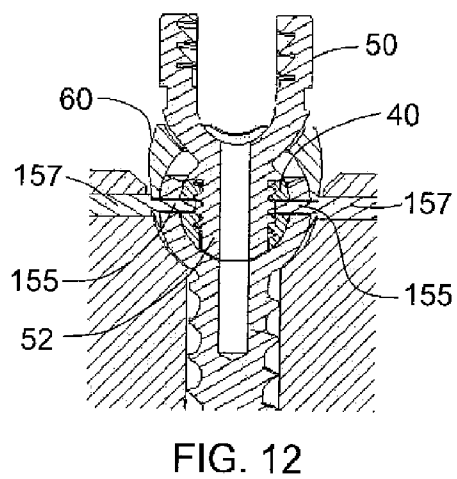
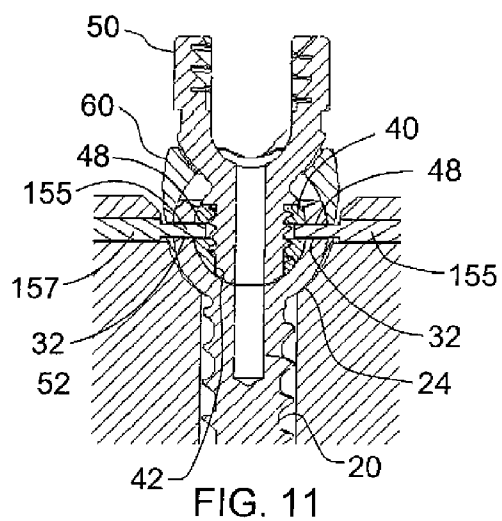
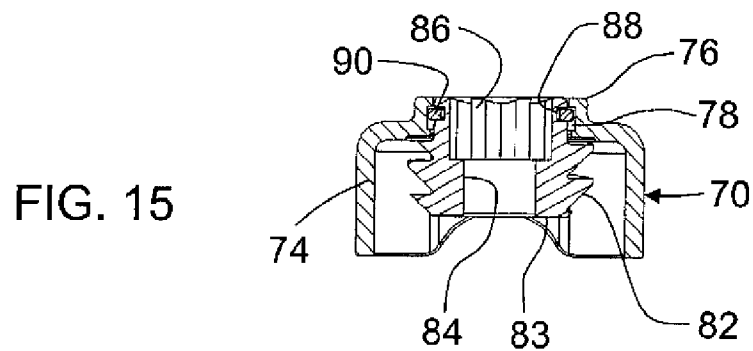
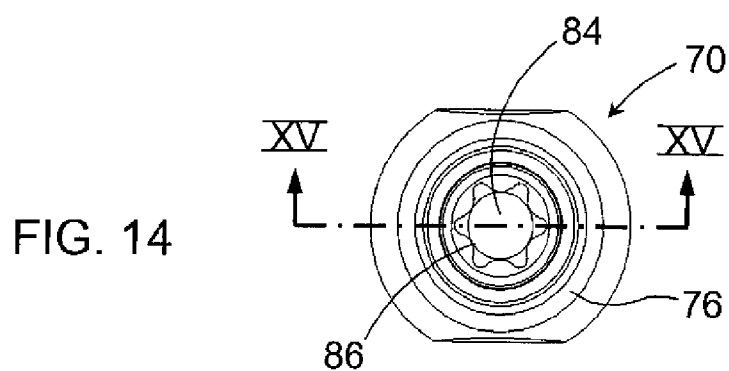
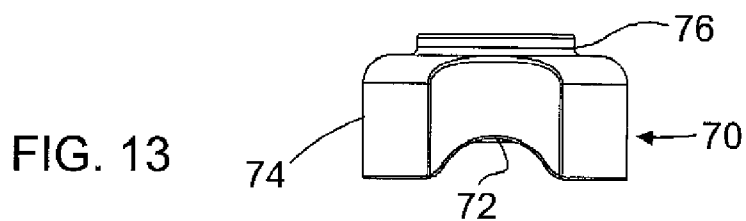


FIG. 10





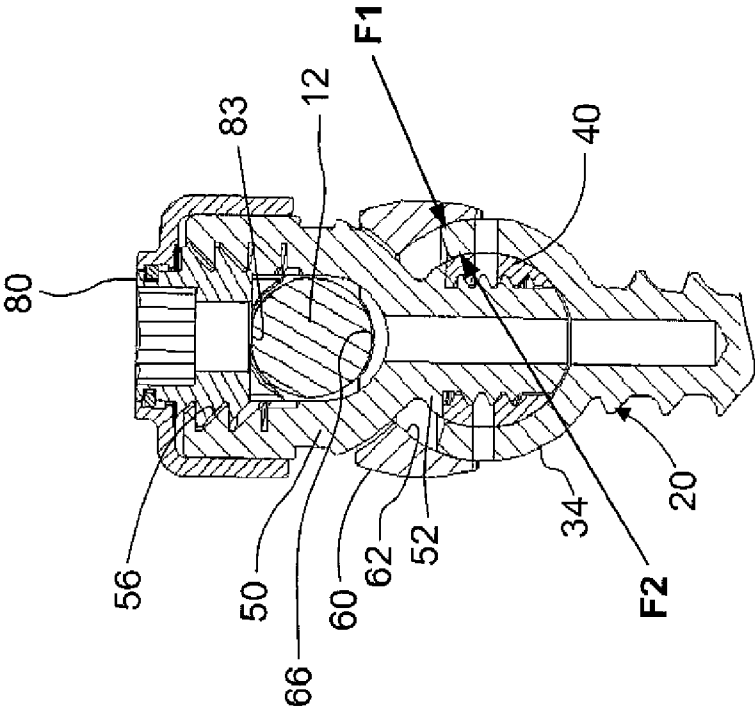


FIG. 16

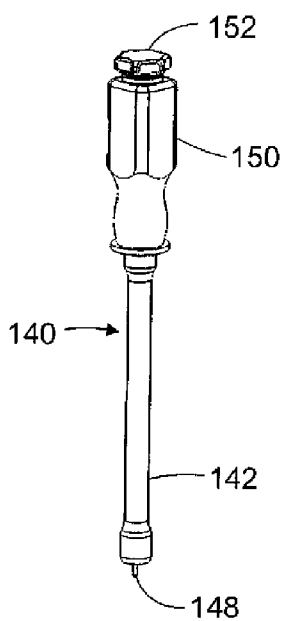


FIG. 17

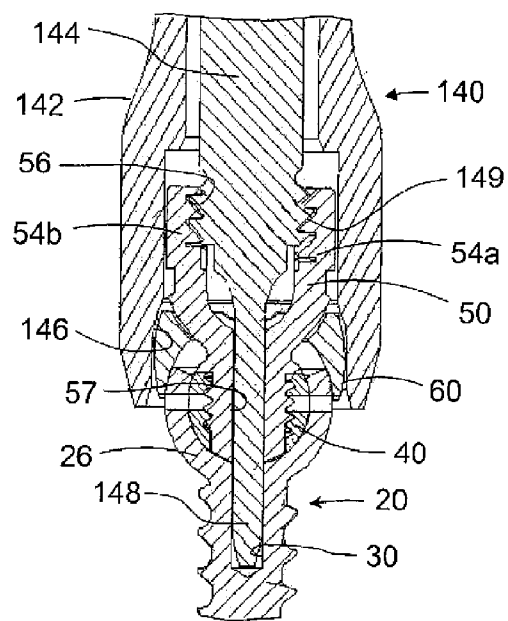


FIG. 18

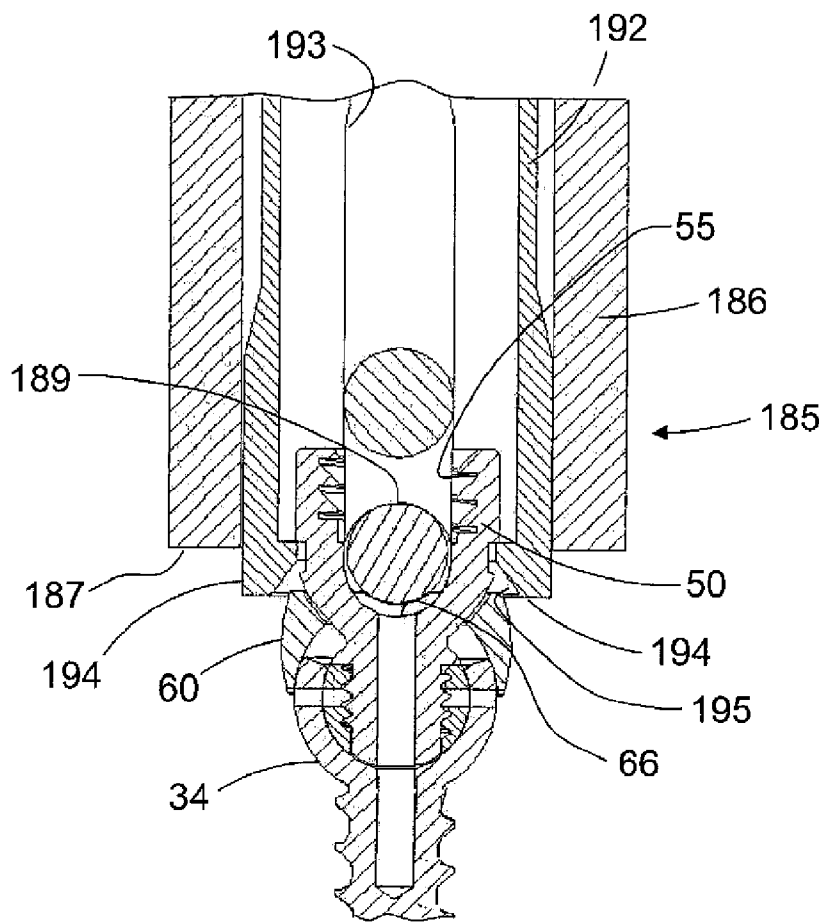


FIG. 19

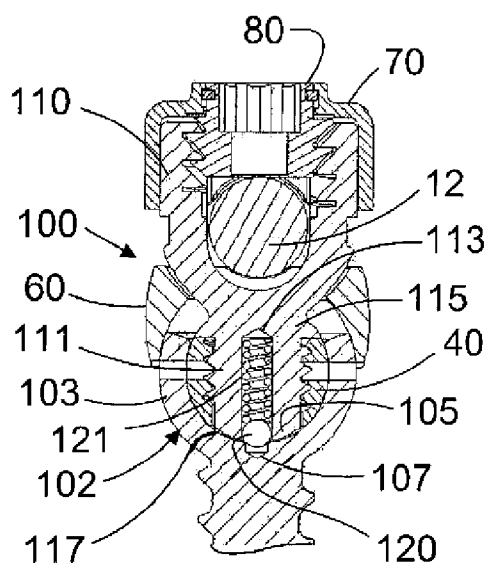


FIG. 20

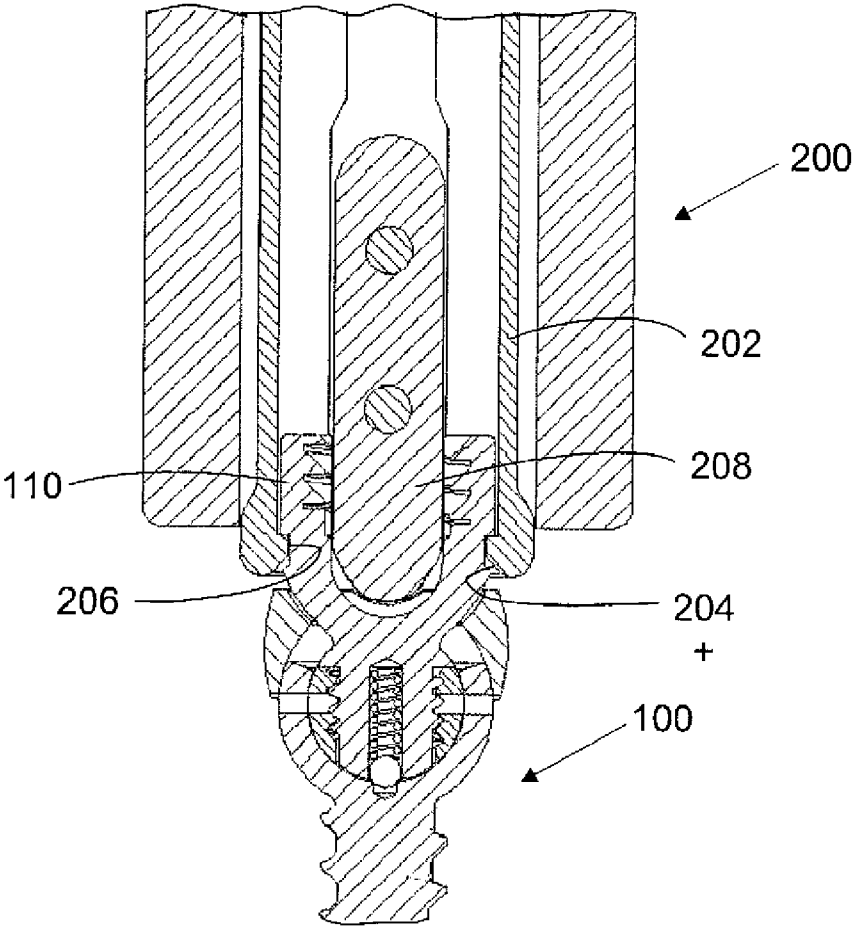


FIG. 21

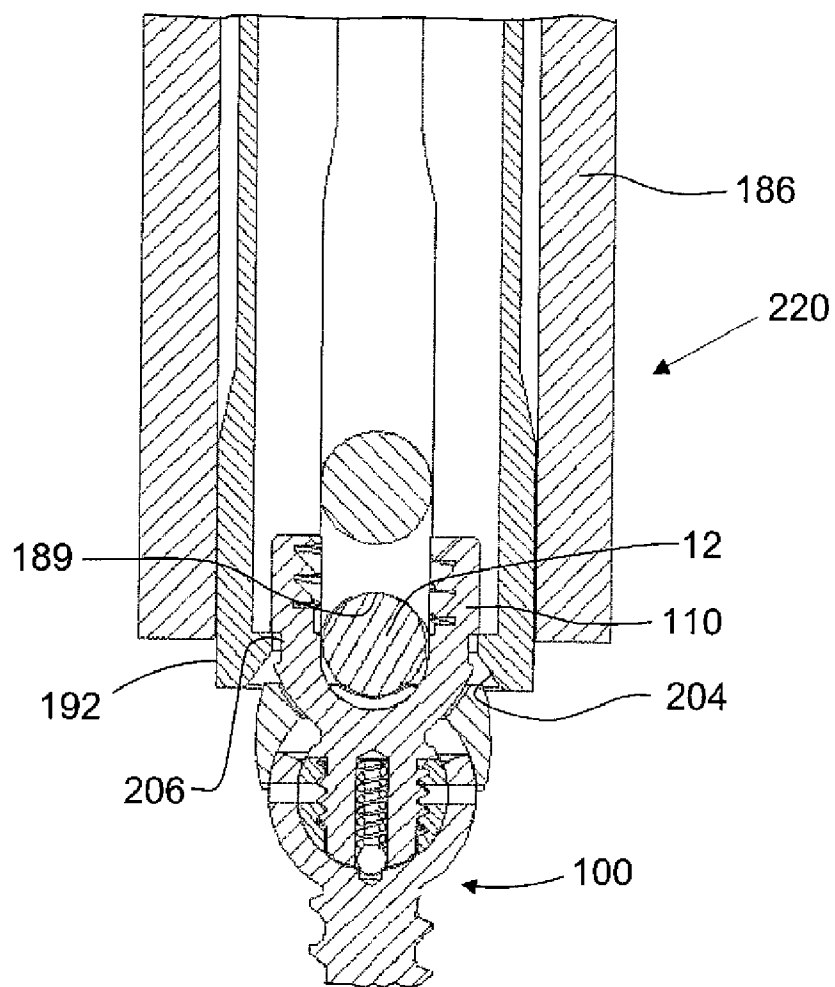


FIG. 22

MULTI-AXIAL SPINAL FIXATION SYSTEM

CROSS-REFERENCES TO RELATED APPLICATIONS

[0001] This application is a divisional application of application Ser. No. 13/925,992, filed on Jun. 25, 2013, now U.S. Pat. No. 9,226,777, which is a continuation application of application Ser. No. 11/762,898, filed on Jun. 14, 2007, now U.S. Pat. No. 8,475,500, which is a continuation-in-part application of application Ser. No. 11/560,587, filed on Nov. 16, 2006, now U.S. Pat. No. 8,162,990, which issued on Apr. 24, 2012, which are each herein incorporated by reference in its entirety.

BACKGROUND

[0002] The present invention relates to spinal fixation systems and particularly to an anchor device that incorporates multi-axial fixation to the spine.

[0003] Several techniques and systems have been developed for correcting and stabilizing injuries to or malformation of the spine. In one type of system, an elongated member such as a bendable rod is disposed longitudinally along a length of the spine, spanning two or more vertebral levels. In certain applications, the rod is bent to correspond to the normal curvature of the spine in the particular region being instrumented, such as the normal kyphotic curvature of the thoracic region or the lordotic curvature of the lumbar region. In accordance with such a system, the rod is engaged to various vertebrae along a length of the spinal column by way of a number of anchor devices that utilize a variety of fixation elements configured to engage specific portions of the vertebra and other bones. For instance, one such fixation element is a hook that is configured to engage the laminae of the vertebra. Another very prevalent fixation element is a screw that can be threaded into various parts of the vertebrae or other bones.

[0004] Early rod-type spinal fixation systems incorporated anchor devices that permitted very limited relative orientations of the rod relative to the fixation element. As these system evolved, various degrees of freedom of relative orientation were integrated into the system. For instance, in one system a bone screw may be engaged to the spinal rod at a range of planar angles. This so-called variable angle screw allows pivoting of the bone screw in a single plane parallel to the plane of the spinal rod. One goal achieved by the variable angle screw is that the surgeon can apply vertebral fixation elements to the spine in more appropriate anatomic positions.

[0005] Another rod-type fixation system utilizes fixation elements having a body that defines a slot within which the spinal rod is received. The slot includes a threaded bore into which a threaded plug is engaged to secure the rod within the body of the fixation element. One benefit of this type of fixation element is that the fixation element may be positioned directly beneath the elongated rod, thereby reducing the overall bulkiness of the implant construct and minimizing trauma to the surrounding tissue.

[0006] On the other hand, these so-called “open back” fixation elements are capable only of pivoting about the spinal rod to achieve variable angular positions relative to the rod. While this limited range of relative angular positioning is acceptable for many spinal pathologies, many other cases require more creative orientation of a bone fastener relative to a spinal rod. Certain aspects of this problem are addressed by some prior

multi-axial or poly-axial screws that are capable of various three-dimensional orientations with respect to the spinal rod. One type of poly-axial screw design, shown in U.S. Pat. No. 6,537,276 to Metz-Stavenhagen et al., includes a spherical projection on the top of the bone screw. An internally threaded receiver member pivotally supports the bone screw and a spinal rod on top of the spherical projection. An inner set screw is tightened into the receiver member to press the spinal rod against the spherical projection to accommodate various angular orientations of the bone screw relative to the rod. A similar multi-axial screw is disclosed in U.S. Pat. No. 5,466,237 to Byrd et al., except an outer nut is provided to secure the rod against the head of the bone screw.

[0007] In another approach shown in U.S. Pat. No. 4,946,458 to Harms et al., a spherical headed bone screw is supported within separate halves of a receiver member. The bottom of the halves are held together by a retaining ring. The top of the receiver halves are compressed about the bone screw by nuts threaded onto a threaded spinal rod. One detriment of this system is that the spinal rod must be threaded in order to accept the compression nuts, which has a tendency to weaken the spinal rod in the face of severe spinal loads. Harms et al. also describes in U.S. Pat. No. 5,207,678 another multi-axial pedicle screw wherein a compression member is provided between the rod and the head of the screw to exert a force on the screw head to lock the screw against the inner spherical surface of the receiver member.

[0008] Yet another approach is illustrated in U.S. Pat. No. 5,797,911 to Sherman et al., in which a U-shaped holder is provided that receives a bone fastener topped with a crown member. The holder accommodates a rod in a channel above the crown member and a compression member above the rod. The compression member presses on the rod and crown member to lock the fastener against the holder in any of a number of angles in three dimensions with respect to the rod. Another system shown in U.S. Pat. No. 5,733,285 to Errico et al., includes a holder having a tapered and colleted portion into which a bone fastener head is inserted. A sleeve is provided that translates down around the colleted portion to crush lock the colleted portion around the head of the bone fastener. This apparatus is bulky and difficult to manipulate given the external sliding locking mechanism. It is further dependent on the fit of the external sleeve and the relative strength of the collet and its bending and crushing portions for secure locking of the bone fastener head.

[0009] There is thus a need for a multi-axial or poly-axial fastener for use with a spinal fixation system that is simple to construct yet strong enough to withstand harsh spinal loads. This need should also be fulfilled by an anchor device that avoids the bulkiness of prior systems but can still achieve a simple and easy fixation of the spinal rod to the bone fastener mounted within the spine.

SUMMARY OF THE INVENTION

[0010] The present invention contemplates a spinal fixation system that incorporates multi-axial fixation characteristics in a low-profile, easy to construct anchor device. The system includes an elongated member, such as a spinal rod, that extends between spinal segments. A series of anchor devices anchor the rod to the spinal segments, with at least some of the anchor devices providing multi-axial fixation. In one embodiment of the invention, the multi-axial anchor device includes a bone engaging fastener that is adapted to engage a portion of

the spine. In one specific embodiment, the fastener is a bone screw adapted to be threaded into the pedicle of a vertebra.

[0011] The head of the bone engaging fastener is provided with a spherical socket facing the spinal rod. A ball insert element is provided that incorporates a spherical surface for variable angular interface with the socket. The ball insert is further configured so that the insert may be introduced into the socket and then rotated within the socket so that the spherical surface is juxtaposed to the socket for captive retention therein.

[0012] In one configuration, the socket has an interior diameter and a smaller diametrical opening communicating therewith. The ball insert is configured as a truncated sphere having a spherical diameter slightly less than the interior diameter of the socket. A portion of the ball insert is formed to have an outer curved surface defining a cylinder having a maximum diameter less than the spherical diameter of the ball insert and less than the diameter of the socket opening. The ball insert is introduced into the socket by aligning the cylindrical diameter with the diameter of the opening and then placing the insert into the socket. The insert is thereafter rotated in the socket to juxtapose the spherical surface of the insert with the interior diameter of the socket to captively retain the insert.

[0013] Connection to the spinal rod is provided by way of a yoke that is engaged to the ball insert. In one embodiment, this engagement is accomplished by a threaded bore in the ball insert and a mating threaded stem of the yoke. The ball insert is free to swivel in the fastener socket and since the yoke is attached to the ball insert it is thereby also free to move in a multi-axial manner. The yoke defines a channel between opposing arms of the yoke, with the channel configured to snugly seat the rod therein.

[0014] A sleeve is provided that fits about an upper portion of the head of the bone engaging fastener. This upper portion provides a spherical surface to interface with a spherical lower cavity of the sleeve so that the sleeve may adapt a range of spherical angles relative to the bone engaging fastener as necessary to accommodate the position of the spinal rod relative thereto. The sleeve includes in one configuration opposing notches to receive and support the rod.

[0015] While the yoke does not itself support the spinal rod, it does support a set screw that is used to clamp the spinal rod to the notches in the sleeve. In one embodiment, the set screw is carried by a cap that fits over and around the arms of the yoke. The set screw is configured to engage internal threads defined in the yoke arms so that as the set screw is driven into the yoke a lower face of the screw contacts the spinal rod to drive it into the sleeve. In one embodiment, the set screw is supported within the cap so that the screw may rotate independently of the cap. The cap and the set screw may each define opposing grooves for mutually carrying a retaining ring used to fix the set screw against axial movement relative to the cap. The retaining ring does permit relative rotation so the set screw may be used to clamp the spinal rod.

[0016] The angular orientation of the yoke is adjusted relative to the bone engaging fastener to accommodate the position of the spinal rod relative to the portion of the spine. In one feature of the invention, this angular orientation is fixed by pressure engagement between the ball insert and the spherical socket of the head of the bone fastener. Thus, in accordance with this feature, the present invention contemplates that the set screw not only operates to firmly clamp the spinal rod within the yoke and against the sleeve, it also generates an

array of forces that press the ball insert into the spherical socket. In particular, as the set screw is tightened within the threaded arms of the yoke, the pressure face of the set screw first contacts the spinal rod. As the set screw is advanced further into the yoke, the pressure face clamps the rod against the sleeve. At this point, the rod is generally firmly fixed to the yoke, although the yoke itself is not yet firmly fixed to the bone engaging fastener.

[0017] As the set screw is tightened further into the internal threads of the yoke arms, a reaction force is generated against the yoke itself, since the set screw cannot be driven any further into the rod of lower sleeve. This reaction force pulls the yoke upward, which in turn pulls the ball insert upward due to the threaded engagement between the ball insert and the threaded stem of the yoke. As the yoke and ball insert are pulled upward, the ball insert is pressed into the upper portion of the spherical socket of the head of the bone screw, thereby clamping the ball insert relative to the bone screw. With the ball insert clamped, further tightening of the set screw pushes against the rod to drive the sleeve into firm locking engagement with the spherical outer surface of the head of the bone fastener.

[0018] In a further aspect of the invention, a releasable detent is disposed between the yoke and the head of the fastener. The releasable detent is configured to releasably retain the yoke in at least one pre-determined position relative to the fastener. In one specific embodiment, the releasable detent is arranged so that the yoke is maintained in axial alignment with the threaded shank of the bone screw as it is driven into the spinal bone.

[0019] The releasable detent may include a cavity defined within the stem of the yoke and a spring and a retention ball seated within the cavity. The spring pushes the retention ball outward into contact with spherical surface of the socket in the fastener head. The socket may be provided with a dimple in axial alignment with the threaded shank of the bone screw to establish the pre-determined position for axial alignment of the yoke.

[0020] The releasable detent may also be configured to provide frictional movement of the yoke relative to the fastener such that the yoke is frictionally maintained in a position relative to the fastener other than the discrete position. In this aspect, the frictional force exerted by the releasable detent is sufficient to temporarily hold the yoke in any angular orientation relative to the bone screw. This feature allows for pre-positioning of the rod-receiving channel of the yoke while the spinal rod is being prepared for engagement with the fixation assembly, such as by bending the rod accordingly.

[0021] One benefit of the present invention is that it provides for solid anchoring between a spinal rod and a bone engaging fastener at variable spherical angles. A further benefit is that a common clamping element is provided to clamp the spinal rod and fix the angular position of the anchor device.

[0022] Yet another benefit resides in one aspect of the anchor device that reduces the overall prominence and profile of the components of the device. A still further benefit is that the relative angular position of the components may be temporarily held during implantation or in anticipation of engagement with a prepared spinal rod. Other benefits of the invention can be discerned from the following written description and accompanying figures.

DESCRIPTION OF THE FIGURES

[0023] FIG. 1 is a transverse view of a portion of a spine with a fixation system utilizing an elongated members engaged between successive vertebrae.

[0024] FIG. 2 is a side perspective view of an anchor device according to one embodiment of the invention for use in the fixation system shown in FIG. 1.

[0025] FIG. 3 is a top plan view of the anchor device shown in FIG. 2.

[0026] FIG. 4 is a side cross-sectional view of the anchor device of FIG. 2.

[0027] FIG. 5 is a longitudinal cross-sectional view of the anchor device illustrated in FIG. 2 along the longitudinal axis of the elongated member.

[0028] FIG. 6 is a top plan view of a ball insert element of the anchor device shown in FIG. 2.

[0029] FIG. 7 is a side elevational view of the ball insert shown in FIG. 6.

[0030] FIGS. 8a-8f are side perspective views of a sequence of assembly of the components of the anchor device shown in FIG. 2.

[0031] FIG. 9 is a top perspective view of a sleeve component of the anchor device shown in FIG. 2.

[0032] FIG. 10 is a side cross-sectional view of the sleeve shown in FIG. 9.

[0033] FIG. 11 is a longitudinal cross-sectional view of a fixture with holding pins for holding the position of the ball insert relative to the socket during engagement of the yoke.

[0034] FIG. 12 is a longitudinal cross-sectional view of the fixture with holding pins used to crimp or swage the threads of the yoke to fix the yoke to the ball insert.

[0035] FIG. 13 is a longitudinal elevational view of a cap with set screw of the anchor device of FIG. 2.

[0036] FIG. 14 is a top plan view of the cap shown in FIG. 13.

[0037] FIG. 15 is a cross-sectional view of the cap of FIG. 14 taken along viewing line XV-XV.

[0038] FIG. 16 is a longitudinal cross-sectional view similar to FIG. 5 showing forces generated to lock the components of the anchor device of FIG. 2.

[0039] FIG. 17 is a side elevational view of a fastener inserter tool for use with one embodiment of the anchor device of the present invention.

[0040] FIG. 18 is a longitudinal cross-sectional view of the fastener inserter tool shown in FIG. 17 engaged to components of the anchor device of FIG. 2.

[0041] FIG. 19 is a longitudinal cross-sectional view of the lower end of a rod persuader tool engaged to a partially assembled anchor device of FIG. 2.

[0042] FIG. 20 is a longitudinal cross-sectional view of an anchor device according to an alternative embodiment of the invention.

[0043] FIG. 21 is a longitudinal cross-sectional view of a screw inserter tool engaged to a partially assembled anchor device, such as the alternative anchor device shown in FIG. 20.

[0044] FIG. 22 is a longitudinal side cross-sectional view of the lower end of the rod persuader tool engaged to a partially assembled modified anchor device, such as the alternative device shown in FIG. 20.

DESCRIPTION OF THE PREFERRED EMBODIMENTS

[0045] For the purposes of promoting an understanding of the principles of the invention, reference will now be made to the embodiments illustrated in the drawings and described in the following written specification. It is understood that no limitation to the scope of the invention is thereby intended. It is further understood that the present invention includes any alterations and modifications to the illustrated embodiments and includes further applications of the principles of the invention as would normally occur to one skilled in the art to which this invention pertains.

[0046] The present invention contemplates a spinal fixation system, such as the system 10 depicted in FIG. 1. As is known in the art, the fixation system 10 spans between successive vertebrae of the spine. An elongated member, such as rod 12, extends along the length of the spine and provides an anchor point for connecting each vertebra to the rod. The rod is typically contoured to approximate the normal curvature of the spine for the particular instrumented spinal segments. Anchor devices 15 are provided for connecting the vertebral segments to the rod. These anchor devices may include hooks, bolts, screws or other means for engaging a vertebra. For the purposes of the present discussion, the anchor device 15 includes a bone engaging fastener 20 which is a bone screw, as shown in FIG. 2. The bone screw 20 includes a threaded shank 22 configured for threaded engagement within a portion of a vertebra. In a specific example, the shank is configured for engagement within the pedicle of a vertebra.

[0047] The bone engaging fastener or screw 20 further includes a head 24 by which the screw, and ultimately the vertebra, is anchored to the spinal rod 12. In accordance with one feature of the present invention, the head 24 defines a spherical socket 26 with a socket opening 28 facing the rod, as shown in FIGS. 4-5. The bone screw 20 further defines a central bore 30 intersecting the socket and extending part way into the threaded shank 22. A transverse bore 32 extends through the head 24 and across the socket, as best seen in FIG. 5. The function of the bores 30 and 32 are discussed herein. The head 24 includes a spherical outer surface 34.

[0048] It can be appreciated from considering FIGS. 4-5 that the spherical head 24 of the bone screw is more than simply hemi-spherical. In other words, the spherical socket 28 subtends a spherical angle of greater than 180° so that socket opening 28 is defined at a chord of the spherical socket. The planar diameter of the opening 28 at the chord is less than the inner diameter of the socket. In a specific embodiment, the spherical head subtends a spherical angle of about 240° and the planar chordal diameter of the socket opening 28 is about 90% the spherical diameter of the socket. It can thus be appreciated that a ball element of about the same spherical diameter disposed within the socket will be retained within the socket, unable to pass through the socket opening. It will be appreciated from the following discussion that a smaller planar chordal diameter will reduce the range of angulation of the articulating components of the anchor device.

[0049] Of course, a ball element that is too large to pass through the opening 28 cannot be readily inserted into the socket 26. The present invention addresses this matter by a ball insert element 40, illustrated in detail in FIGS. 6-7. The ball insert 40 defines a central threaded bore 42 that is provided for connection to a yoke component 50, as described in more detail herein. The ball insert is generally in the form of a truncated sphere, whereby the outer surface 44 of the ball

insert includes a spherical surface 45 that is sized to closely approximate the spherical socket 26, as shown in FIG. 5. Thus, spherical surface 45 defines an outer spherical diameter D_1 , that is slightly less than the interior diameter of the spherical socket 26, but greater than the diameter of opening 28. As seen more particularly in FIG. 8b, the ball insert 40 is further formed to have a cylindrical portion defined by curved surfaces 46. The curved surfaces 46 of cylindrical portion define an outer diameter D_2 about axis A as depicted in FIG. 8b. Axis A in one arrangement is formed to be generally perpendicular to the axis of the central threaded bore 42. In accordance with one aspect of the invention the maximum diameter D_2 is slightly less than the planar chordal diameter of socket opening 28 (FIG. 8a) and defines an insert dimension for placing the ball insert 40 into the socket 26 as will be defined. While curved surfaces 46 are preferably formed to define a cylindrical insert dimension D_2 , it should be appreciated that other configurations may be considered, such as one or more flattened outer surfaces, provided that a maximum insert dimension such as diameter D_2 is formed less than the maximum dimension of the socket opening 28.

[0050] The benefit of this configuration for the ball insert 40 can be readily appreciated upon consideration of the sequence in FIGS. 8a-8c depicting insertion of the ball insert 40 into the socket 26 of the bone screw 20. As shown in FIG. 8b, the ball insert 40 is rotated at least 90° so that the insert dimension D_2 with curved surfaces 46 is aligned to pass through planar chordal opening 28 and into the socket 26. The insert dimension D_2 is oriented so that axis A of ball insert 40 is essentially aligned along the axis of the bone screw. The depth of the socket 26 is sufficient to fully receive the rotated ball insert 40 so that the spherical surface 45 exposed in the view of FIG. 8b is within the socket. Then, in the final step shown in FIG. 8c, the ball insert 40 is further rotated at least 90° so that the threaded bore 42 faces upward through the socket opening 28. In this position, the spherical surface 45 of the ball insert is juxtaposed with the interior of the spherical socket 26, as shown in FIG. 5, and the ball insert 40 is captively retained in the socket 26 for swivel movement there-within.

[0051] The ball insert 40 is further provided along axis A as seen in FIG. 8a with a transverse bore 48 that may be aligned with the transverse bore 32 in the spherical head 24 of the bone screw, as shown in FIG. 5 and FIG. 8a. As can be seen from the figures, the ball insert is truncated at the top and bottom of the insert. However, the ball insert in this arrangement is not symmetric—i.e., more of the top of the spherical ball is truncated than the bottom of the ball. Further, as a result of the formation of the curved cylindrical surfaces 46, the lower truncated surface has indentations 49 as illustrated in FIG. 7. When the ball 40 is rotated as depicted in FIG. 8b, the indentations 49 may be directed toward the bottom of socket 26 and are not visible through the socket opening.

[0052] Returning to FIGS. 4-5, the anchor device 15 further includes a yoke 50 having a threaded stem 52 configured to engage the threaded bore 42 in the ball insert 40. The stem is provided with a shoulder 53 that preferably abuts the ball insert 40 when the stem 52 is fully threaded into the bore 42 of the insert. The yoke 50 includes yoke arms 54a, 54b that define a yoke channel 55 therebetween. The gap between the arms 54a, 54b, and consequently the width of the channel, is sized to closely fit the spinal rod 12, as best seen in FIG. 5. The arms 54a, 54b define internal threads 56 at the upper open end of the yoke 50 for engaging a set screw 80, as described below.

A bore 57 passes through the threaded stem 52 that is aligned with the bore 30 in the bone screw when the yoke is mounted on the ball insert.

[0053] As shown in FIGS. 8d-8e, a sleeve 60 is interposed between the yoke 50 and the head 24 of the bone screw 20. As further shown in FIGS. 9 and 10, the sleeve 60 defines a lower cavity 62 that has a spherical configuration to substantially match the spherical outer surface 34 of the screw head 24. Sleeve 60 sits on the outer surface 34 for sliding movement thereon, and serves as a clamping element for the rod 12 relative to the yoke as will be described. The sleeve further defines an upper cavity 64 that generally parallels the outer surface of the yoke arms 54a, 54b, as seen in FIG. 5. The upper face of the sleeve 60 defines opposite rod grooves 66 sized to receive the spinal rod 12 therein. The lower face of the sleeve defines opposite notches 68 that are oriented 90° from the rod grooves 66. The notches 68 are arranged to align with the transverse bores 32 and 48 when the anchor device is assembled. The notches and bores are sized to receive retaining pins 155 (FIG. 11) as described in more detail herein. In a preferred arrangement, sleeve 60, is provided with opposing recessed surfaces 63 that engage the arms 54a, 54b of the yoke 50 to key the sleeve 60 to yoke 50 in a manner that allows common swivel movement of the yoke 50 and sleeve 60 relative to the screw head 24.

[0054] As depicted in FIG. 8d-8e, after the ball insert 40 is properly aligned and captively retained as shown in FIG. 8c, the yoke 50 may engage the insert 40 to form an assembly therewith. In accordance with the preferred manner of assembly of the anchor device 15, the threaded stem 52 of the yoke is extended through the sleeve 60 with the sleeve keying surfaces 63 aligned with the yoke arms 54a, 54b. The threaded stem 52 is then threaded into engagement with the threaded bore 42 of the ball insert. In order to achieve this threaded engagement it is necessary to hold the ball insert 40 as the stem 52 of the yoke is threaded into the bore 42. Thus, in one aspect of the invention, the ball insert 40 is oriented within the spherical socket 26 so that the transverse bores 48 in the insert are aligned with the transverse bores 32 in the screw head. When the bores are aligned, pins 155 may be pushed therethrough, taking care that the pins do not extend into the threaded bore 42, as illustrated in FIG. 11. Arms 157 of a forceps-like tool may be used to introduce the pins into the bores.

[0055] With the pins 155 in position, the sleeve 60 may be placed over the head of the bone screw with the notches 68 aligned with the pins 155. The yoke is then extended through the sleeve with the stem engaging the threaded bore 42 of the ball insert. The pins 155 resist rotation of the ball insert 40 as the stem is threaded into the bore. The yoke 50 is threaded into the ball insert until the shoulder 53 contacts the upper face of the ball insert 40 as shown in FIGS. 4-5.

[0056] In an additional feature, the pins 155 may be used to crimp, swage or deform the threads of the stem 52 of the yoke 50. Thus, the tool arms 157 may be pressed toward each other so that the pins 155 contact the threaded stem 52, as shown in FIG. 12. When the threads are distorted the stem 52 of the yoke cannot back out or unthread from the ball insert 40. Once the yoke and ball insert have been locked together, the pins 155 can be removed. It is understood that this initial assembly of the anchor device, namely the steps shown in FIGS. 8a-8e, occur prior to introduction of the anchor device 15 into the spine, preferably by the supplier. It can also be appreciated that once the yoke 50 is locked with ball insert 40, the ball

insert **40** is free to swivel within the fastener socket **26** allowing the yoke attached thereto to freely angulate in multiple directions. Since sleeve **60** is keyed to yoke **50** it likewise freely slides on outer surface **34** of fastener head **24** as the yoke **50** moves, until the anchor device components are locked in use. Furthermore, even though the ball insert **40** is free to swivel within socket **26**, once the yoke **50** is attached the insert **40** remains captively retained since the insert **40** will not be able to move to a position where its insert dimension L_1 is aligned with the socket opening **28**.

[0057] Returning again to FIGS. 4-5, the assembly of the rod **12** to the fastener **20** is shown. The rod **12** is initially placed between the arms of the yoke **50** to rest on the rod grooves **66** of the sleeve **60**. The yoke channel **55** may then be closed, securing the rod within. In accordance with a further feature of the invention, a cap **70** is fitted over the top of the yoke arms **54a**, **54b**. The cap **70** as further detailed in FIGS. 13-15, includes a generally cylindrical skirt **74** that fits snugly around the arms **54a**, **54b** to prevent the arms from splaying outward as set screw **80** is threaded into the arms. The skirt **74** is preferably provided with diametrically opposed flats **75** that correspond to the transverse opening of the yoke channel **55**, as best seen in FIG. 8f. The flats **75** define rod grooves **72** that align with, but do not contact, the rod **12** when it is situated within the yoke channel **55**.

[0058] The cap **70** includes an upper boss **76** that defines an enlarged circumferential interior groove **78**. This groove is sized to receive a retaining ring or snap ring **90** therein, as seen in FIG. 5 and FIG. 15. The groove is axially enlarged or lengthened so that the snap ring **90** may translate up and down within the boss **76** for reasons explained below.

[0059] The set screw **80** is provided with a threaded stem **82** that is configured to engage the internal threads **56** of the yoke arms **54a**, **54b**. Preferably the threaded engagement between set screw and yoke are in the form of buttress threads, as depicted in FIGS. 4-5. The buttress threads minimize the outward force produced as the set screw is threaded into the yoke. Thus, the use of buttress threads help minimize any splaying of the yoke arms that might otherwise occur when the set screw **80** is threaded tightly into the yoke **50**. In addition as shown in FIG. 15, the bottom of the set screw is recessed upwardly of the bottom of the skirt **74** of cap **70**. Thus, when cap **70** is placed over the arms **54a**, **54b** of yoke **50**, not only does the close fit of the skirt **74** relative thereto prevent splaying as noted, but skirt **74** also serves as a guide to align the threads **82** of set screw **80** into the threads **56** of the yoke **50**, thereby also reducing the risk of disadvantageous cross-threading.

[0060] The set screw **80** includes a pressure face **83** that contacts and exerts a securing force against the spinal rod **12**. The pressure face **83** as well as the rod surface may exhibit surface features intended to enhance the fixation between set screw and rod, as is known in the art. In particular, a surface roughness may be provided that becomes deformed or cold formed when the set screw is tightened onto the rod. This feature helps prevent the rod from slipping axially (along its length) within the anchor device **15**.

[0061] The set screw **80** defines a bore **84** therethrough. The upper portion **86** of the bore may be configured to receive a driving tool, such as with hex or TORX surfaces.

[0062] Like the cap **70**, the set screw **80** defines a circumferential groove **88** (FIG. 4) configured to receive the retaining ring **90** therein. However, unlike the cap groove **78**, the groove **88** in the set screw is preferably sized to closely fit the

snap ring. Thus, while the snap ring **90** is held by the set screw, the snap ring is free to translate within the elongated cap groove **78**. The elongated groove **78** is thus intended to allow the set screw **80** to fully engage the rod **12** while the cap **70** essentially floats by virtue of the snap ring **90** translating within groove **78**. Thus, the cap **70** effectively exerts no force on the rod **12** or on the top surface of the yoke **50**, even if some contact is made.

[0063] The set screw **80** generates the force that locks the ball insert **40** within the spherical socket **26** at the desired angular orientation, and that further locks the spinal rod **12** within the anchor device **15**. In particular, once the anchor device **15** has been fully assembled about the rod **12**, as best seen in FIG. 16, the set screw **80** is tightened within the yoke **50**. As the screw is tightened, it presses against the rod **12**, clamping it between the pressure face **83** of the set screw and the rod grooves **66** in the sleeve **60**. As the set screw is driven further into the internal threads **56** of the yoke **50**, the set screw pushes the rod **12** downwardly until the lower cavity **62** of the sleeve **60** is firmly engaged to the outer surface **34** of the head **24** of the bone screw generating locking force, F1.

[0064] At this point the sleeve **60** and rod **12** can move no further toward the bone screw **20**. Therefore, any further tightening of the set screw is reacted by the yoke itself. As the set screw is driven further into the yoke internal threads (i.e., advancing toward the head of the bone screw) this reaction force pulls the yoke upward. While the yoke is pulled upward with continued rotation of the set screw, the stem **52** of the yoke pulls the ball insert **40** upward, owing to the fixed engagement between the yoke stem and the ball insert. As the ball insert is pulled upward, it bears forcefully against the upper face of the spherical socket **26**, with a force F2 clamping the socket wall between the sleeve **60** and the ball insert **40** and thereby locking the ball insert **40** and yoke **50** relative to fastener **20**. Any tendency of the socket **26** to attempt to gap at the socket opening **28** is resisted by the sleeve **60** that is already in firm engagement about the outer surface **34** of the screw head.

[0065] It can thus be appreciated that the entire anchor device can be adjustably secured in a fixed relationship simply by rotation of the set screw **80**. As the set screw is threaded into the yoke threads it ensures solid clamping of the bone screw head **24** between the lower cavity **62** of the sleeve **60** and the spherical surface **45** of the ball insert **40**, regardless of the angular orientation of the yoke and rod relative to the screw. The rod itself is firmly clamped between the set screw and the lower sleeve. It can further be appreciated that the entire anchor device may be tightened by simply tightening the set screw.

[0066] In use, the bone screw and sleeve assembly of FIG. 8e is provided together with one or more suitably sized rods **12** and a cap **70** so that a spinal fixation system **10** may be implanted into a patient. The surgeon may insert the bone screw assembly with a suitable screw inserter **140** as shown, for example, in FIGS. 17-18. The screw inserter **140** includes an outer sleeve **142** and an inner shaft **144** rotatably disposed within the sleeve. As shown in the view of FIG. 18, the end **146** of the outer sleeve **142** is configured to contact the proximal upper surface of the sleeve **60**. The outer sleeve **142** is fixed to a handle **150**, while the inner shaft is fastened to a tightening knob **152** that is rotatably supported on the handle. The inner shaft **144** includes a pin end **148** that is sized to extend through the bore **57** in the yoke **50** and into the bore **30** at the base of the spherical socket **26**. The pin end **148** ensures

co-axial alignment of the driving tool **140** and the bone screw threaded shank **22**. The inner shaft further includes intermediate threads **149** axially offset from the pin end **148**. These threads **149** are arranged to engage the internal threads **56** of the yoke arms **54a**, **54b**.

[0067] The threads **149** on the inner shaft **144** of the tool **140** operate similar to the set screw **80**. Specifically, as the threads are driven into the internal threads **56** of the yoke **50**, the pin end **148** reacts against the bottom of the bore **30** in the bone screw to generate an upward force on the yoke **50**. As the yoke is pushed upward, it pulls the ball insert **40** with it, thereby driving the insert into the spherical socket. When the inner shaft **144** has been fully tightened, the screw inserter tool **140**, yoke **50**, ball insert **40** and bone screw **20** form a rigid connection. The handle **150** of the outer sleeve **142** may then be used to drive the bone screw into the vertebral bone, either manually or with the assistance of an additional driving tool after a suitable hole has been drilled in the pedicle of a vertebra.

[0068] Once the bone screw **20** is threaded in position into the spine, the next step to completing the fixation system, such as system **10** shown in FIG. **1**, is to introduce the rod **12** into the yoke **50** of the anchor device **15**. The rod may be contoured to match the normal curvature of the spine, either in lordosis or kyphosis depending upon the instrumented vertebral level. In some cases, the spine exhibits a lateral curvature, such as scoliosis, that is preferably corrected, at least partially, by the fixation system **10**. Thus, in certain cases, the rod **12** itself may be laterally offset from the position of the bone screw engaged within the underlying vertebra. In these cases, the variable angle capabilities of the anchor device of the present invention come into play.

[0069] To accomplish the introduction of the rod **12** into the yoke channel **55** of the yoke **50**, a rod persuader tool **185** is provided, as shown in FIG. **19**. The rod persuader tool **185** includes an outer tube **186** and an inner tube **192** concentrically disposed within the outer tube for relative axial movement. The outer tube **186** defines a rod notch **189** at its bottom end **187**. The inner tube **192** defines a slot **193** that forms legs **194** at the distal end. The legs define an inner shoulder **195** that is configured to suitably engage the partially assembled anchor device. The inner shoulders **195** may engage a groove (not shown) in the outer surface **34** of fastener socket **26**. In another embodiment, the yoke **50** may be modified to have a groove (not shown) that may be engaged by the inner shoulders **195**. In either embodiment, the legs **194** are configured to partially encircle and firmly grasp the partially assembled anchor device, while the slot **193** accommodates the initial presence of the rod **12** within the yoke channel **55**. A guide pin **190** spans the diameter of the outer tube **186** and fits within the slot **193** to control the relative axial movement between the outer tube **186** and the inner tube **192**. A suitable mechanism is provided to move the outer tube **186** downward axially relative to inner tube **192**. As the outer tube **186** moves downward, it forces the rod **12** into the yoke channel **55** by lower notch **189** and into the rod groove **66** of the sleeve **60**.

[0070] With the rod **12** suitably placed into the yoke **50**, the spinal fixation device **10** may then be completed. Cap **70** as shown in FIG. **8f** is then assembled to the yoke **50**, as described above with reference to FIGS. **4-5**, to lock the rod **12** relative to the yoke **50** and the yoke **50** relative to the bone fastener **20**. It should be appreciated that the spinal fixation device **10** as particularly described herein has the advantage of establishing a low profile, since the outer surface of the

screw head **24** may be driven down relatively deeply into the pedicle of the vertebra, while still maintaining swivel movement of the yoke **50** until the set screw **80** is tightened. Furthermore, the relatively large surface area of spherical surface **45** of the ball insert **40** tightly pressed against the interior surface of the screw socket **26** provides for a very rigid construct for locking the polyaxial motion of the yoke **50** relative to the screw **20**.

[0071] Another embodiment of the invention, illustrated in FIG. **20**, provides an anchor device **100** having a bone engaging fastener **102** with a spherical head **103**. The head defines a spherical socket **105** like the bone screw **20** described above. The ball insert **40**, lower sleeve **60**, upper sleeve **70** and set screw **80** may be constructed as described above. The yoke **110** includes a threaded stem **111** and a shoulder **115** for threaded engagement with the ball insert. However, unlike the previously described yoke **50**, the yoke **110** includes an internal cavity **113** extending from the distal end **117**. This cavity corresponds to a dimple **107** formed in the base of the spherical socket **105**.

[0072] In accordance with this embodiment, a retention ball **120** is seated within the dimple and residing within the cavity **113**. A spring **121** is disposed within the cavity to exert a relatively slight force against the ball **120**. The ball and dimple serve as a releasable detent to maintain a pre-determined orientation between the ball insert **40** and the screw head **103** for ease of screw insertion. The spring maintains pressure on the seating ball **120** and also exerts an upward force on the ball insert **40** to help engage the insert within the spherical socket **105** of the bone screw head. The fixation of the anchor device **100** otherwise proceeds as outlined above by tightening the set screw **80**.

[0073] A suitable insertion tool **200** for inserting device **100** into a vertebra is shown in FIG. **21**. Tool **200** has an inner tube **202** with shoulders **204** partially configured to engage a groove **206** formed in the outer surface of yoke **110**. Tool **200** further has a driver element **208** that is configured to fit within the channel of yoke **110** to thread the device **100** into a vertebra.

[0074] As such, by virtue of the discrete positioning of the retention ball **120** in the dimple **107**, one advantage of the anchor device **100** is the feature of releasably holding the yoke **110** in axial alignment with the longitudinal axis of fastener **102**. Such an advantage is useful, as described with reference to FIG. **21**, in attaching the driving tool **200** to the yoke **100**. With the yoke **100** aligned axially with the fastener **102**, driving the fastener threads into the pedicle is readily facilitated. In a particular arrangement, the spring **121**, which is shown in one form in FIG. **21** as a helical spring, provides a spring force on the order of 1.0-2.0 lbs/inch.

[0075] It should also be appreciated that in addition to providing the discrete releasable detent when ball **120** is seated in dimple **107** or other suitable recess, further advantage is provided when the ball **120** is not seated in dimple **107**. In such disposition, as noted above, because the spring **121** maintains pressure on the ball **120**, an upward force is applied pushing the ball insert **40** upwardly against the inner surface of the spherical socket **105** of the fastener **102**. Such a force not only provides sufficient friction to allow the yoke **110** and the outer sleeve **60** to slidably articulate about the spherical socket **105**, but to be movably held in place by the friction. Thus, the yoke **110** can be oriented to various positions and will stay in place to receive a rod **12**, for example, that may be bent to adapt to the particular curvature of the spine.

[0076] It should also be understood that while a helical spring 121 is shown and described, other spring members may be used. For example, a resilient polymer that is compressible within cavity 113 of yoke 110 may be used. In addition, while one dimple 107 in spherical socket 105 is shown, additional dimples may be provided to allow for multiple discrete releasable detents, if desired. Also, in certain instances, the spring 121 or other spring or friction member may be used to produce friction in the absence of the dimple 107 so as to allow frictional movement of the yoke 110 relative to the fastener 102 without a discrete retention stop.

[0077] A rod persuader tool 220 for particular use with device 100 is shown in FIG. 22. Tool 220 is similar to the rod persuader 185 having an outer tube 186 axially movable with respect to an inner tube 192. The shoulders 204 are configured to engage yoke groove 206 and hold the device 100 while an elongated rod 12 is pushed into the yoke 110 of the device 100. The rod is pushed by notch 189 upon downward movement of outer tube 186. Completion of the spinal fixation system takes place by assembly of the cap 70 over the yoke 110 and tightening of the set screw 80 against the rod 12 as described above.

[0078] While the invention has been illustrated and described in detail in the drawings and foregoing description, the same should be considered as illustrative and not restrictive in character. It is understood that only the preferred embodiments have been presented and that all changes, modifications and further applications that come within the spirit of the invention are desired to be protected.

What is claimed is:

1. A bone screw for anchoring an elongate connecting rod to a vertebra of a spine comprising:
 - a fastener having a bone engaging portion and a head, said head defining a socket and having an outer surface, a lower portion of which defines a bone engaging surface; an insert captively retained in said socket and configured for swiveling therein;
 - a yoke having at one end a rod receiving channel for receiving an elongate connecting rod and an opposite end integrally coupled to said insert for common articulating movement with said insert relative to said fastener;
 - a sleeve slidably disposed on an upper portion of said outer surface of the head of the fastener between said head and said yoke, said sleeve being keyed to said yoke for common articulating movement with said yoke and said insert, said sleeve including an upper facing surface for receipt of said elongate connecting rod thereon, said one end of said yoke being exterior of said sleeve;
 - a fastening element supported by said yoke for securing said elongate connecting rod between said fastening element and said upper facing surface of said sleeve; and
 - a friction member for applying a force between said insert and said socket to frictionally maintain said yoke in a movable position relative to said fastener.
2. The bone screw of claim 1, wherein said upper facing surface of said sleeve is curved.
3. A bone screw for anchoring an elongate connecting rod to a vertebra of a spine comprising:
 - a fastener having a bone engaging portion and a head, said head defining a socket and having an outer surface;
 - an insert captively retained in said socket and configured for swiveling therein;
 - a yoke having at one end a rod receiving channel for receiving an elongate connecting rod and an opposite end

- attached to said insert for common swiveling movement with said insert relative to said fastener;
 - a sleeve having a lower surface and an upper surface, said lower surface of said sleeve being slidably disposed on an upper portion of said outer surface of the head of the fastener between said head and said yoke, said upper surface of said sleeve contacting an outer surface said yoke, said sleeve being keyed to said yoke for common swiveling movement with said yoke and said insert relative to said fastener, said sleeve including an upper facing rod receiving surface for receipt of said elongate connecting rod thereon, said one end of said yoke being exterior of said sleeve; and
 - a fastening element supported by said yoke for securing said elongate connecting rod between said fastening element and said rod receiving surface of said sleeve.
4. The bone screw of claim 3, wherein said upper portion of said outer surface of said head of said fastener comprises a spherical configuration.
 5. The bone screw of claim 4, wherein said lower surface of said sleeve defines a lower cavity having a spherical configuration to substantially match the spherical configuration of said upper portion of said outer surface of said head of said fastener.
 6. The bone screw of claim 5, wherein said upper surface of said sleeve defines an upper cavity having a configuration that generally parallels said outer surface of said yoke.
 7. The bone screw of claim 6, wherein said an upper facing rod receiving surface is defined by a pair of opposite surfaces exteriorly of and communicating with said channel, one such surface being on each side of said channel.
 8. The bone screw of claim 7, wherein each of said pair of opposite surfaces comprises a groove sized to receive said elongate connecting rod.
 9. The bone screw of claim 7, wherein said upper cavity is disposed between said opposite surfaces.
 10. The bone screw of claim 8, wherein said sleeve includes at least one keying surface for keying said sleeve to said yoke for common swiveling movement.
 11. The bone screw of claim 10, wherein said sleeve includes two keying surfaces disposed within said upper cavity, each keying surface being configured to cooperate with a portion of said outer surface of said yoke in a manner to allow common swivel movement of said yoke and said sleeve relative to said fastener.
 12. The bone screw of claim 3, further including a friction member for applying a force between said insert and said socket to frictionally maintain said yoke in a movable position relative to said fastener.
 13. A bone screw for anchoring an elongate connecting rod to a vertebra of a spine comprising:
 - a fastener having a bone engaging portion and a head, said head defining a socket and having an outer surface;
 - an insert captively retained in said socket and configured for swiveling therein;
 - a yoke having at one end a pair of opposed arms defining therebetween an open rod receiving channel for receiving an elongate connecting rod and an opposite end attached to said insert for common swiveling movement with said insert relative to said fastener;
 - a sleeve having a lower surface and an upper surface, said lower surface of said sleeve being slidably disposed on an upper portion of said outer surface of the head of the fastener between said head and said yoke, said sleeve

including an upper facing rod receiving surface in communication with said yoke channel for receipt of said elongate connecting rod thereon; and

a fastening element supported by said yoke for securing said elongate connecting rod between said fastening element and said rod receiving surface of said sleeve.

14. The bone screw of claim **13**, wherein said upper portion of said outer surface of said head of said fastener comprises a spherical configuration.

15. The bone screw of claim **14**, wherein said insert is defined as a ball insert including a spherical portion, and said head socket includes a spherical inner surface.

16. The bone screw of claim **15**, wherein said upper surface of said sleeve defines an upper cavity having a configuration that is complementary with said outer surface of said yoke.

17. The bone screw of claim **16**, wherein said an upper facing rod receiving surface is defined by a pair of opposite surfaces exteriorly of and communicating with said channel, one such surface being on each side of said channel.

18. The bone screw of claim **17**, wherein each of said pair of opposite surfaces comprises a groove sized to receive said elongate connecting rod.

19. The bone screw of claim **13**, wherein said sleeve includes at least one keying surface for keying said sleeve to said yoke for common swiveling movement.

20. The bone screw of claim **19**, wherein said sleeve includes two keying surfaces disposed within said upper cavity, each keying surface being configured to cooperate with a portion of said outer surface of said yoke in a manner to allow common swivel movement of said yoke and said sleeve relative to said fastener.

* * * * *