



(12) **EUROPEAN PATENT APPLICATION**

(88) Date of publication A3:
23.11.2005 Bulletin 2005/47

(51) Int Cl.7: **G11C 7/16**

(43) Date of publication A2:
06.10.2004 Bulletin 2004/41

(21) Application number: **04002468.9**

(22) Date of filing: **04.02.2004**

(84) Designated Contracting States:
**AT BE BG CH CY CZ DE DK EE ES FI FR GB GR
HU IE IT LI LU MC NL PT RO SE SI SK TR**
Designated Extension States:
AL LT LV MK

(72) Inventors:
• **Seo, Min-Ho**
Seoul 138-160 (KR)
• **Lee, Yong-Kwon**
Seoul 135-280 (KR)

(30) Priority: **04.04.2003 KR 2003021307**

(74) Representative: **Weber, Joachim**
Hoefer & Partner
Patentanwälte,
Gabriel-Max-Strasse 29
81545 München (DE)

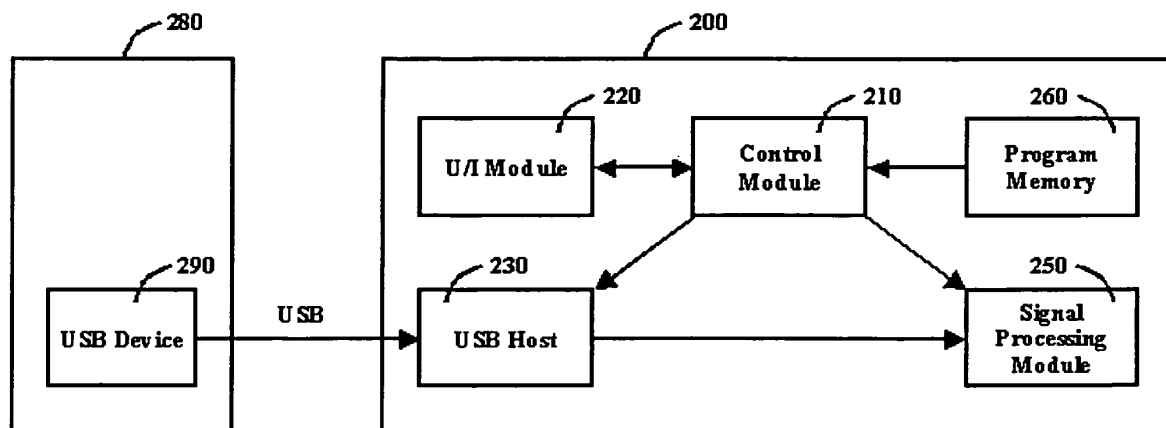
(71) Applicant: **Telechips Inc.**
Seoul 138-160 (KR)

(54) **Media-processing device using an external storage device**

(57) Disclosed herein is a media-processing device using an external storage device. The media-processing device includes a storage access module, an information-sourcing module, a program memory module, a system memory module, a signal-processing module, a user interface module and a control module. The control module accesses the external storage device, reads file information, and constructs contents to be displayed. When the control module receives a command to select

a media file, the control module accesses the external storage device, searches for the selected media file, reads data of the searched media file, copies the read data, and provides the copied data to be decoded. When the control module receives a command to encode a signal, the control module transmits the input signal to be encoded, constructs a media file from the encoded media data, positions the media file, copies the constructed media file when the external storage device is accessible through the storage access module.

FIG. 2





European Patent
Office

EUROPEAN SEARCH REPORT

Application Number
EP 04 00 2468

DOCUMENTS CONSIDERED TO BE RELEVANT			
Category	Citation of document with indication, where appropriate, of relevant passages	Relevant to claim	CLASSIFICATION OF THE APPLICATION (Int.Cl.7)
Y	US 6 339 814 B1 (IIDA KENICHI) 15 January 2002 (2002-01-15) * columns 4-6; figure 1 * -----	1,3,5-8	G11C7/16
Y	WO 02/49032 A (TDK CORPORATION; FUJII, KEN; TAKASUGI, YASUFUMI; NAMIOKA, TAKASHI; KOB) 20 June 2002 (2002-06-20) * the whole document * & US 2004/028384 A1 (FUJII KEN ET AL) 12 February 2004 (2004-02-12) * the whole document * -----	1,3,5-8	
Y	US 6 151 262 A (HAROUN ET AL) 21 November 2000 (2000-11-21) * the whole document * -----	3,5-8	
A	EP 1 260 929 A (LIH DUO INTERNATIONAL CO., LTD) 27 November 2002 (2002-11-27) * paragraph [0011]; figure 5 * -----	10,11	
A	US 2002/154900 A1 (SHIMADA HIROSHI) 24 October 2002 (2002-10-24) * the whole document * -----	1-12	TECHNICAL FIELDS SEARCHED (Int.Cl.7)
A	WO 00/67261 A (THOMSON LICENSING S.A.; CHEAH, SIN, HUI; CSICSATKA, TIBOR; DICK, ROBERT) 9 November 2000 (2000-11-09) * the whole document * -----	1-12	G11C
A	EP 1 043 729 A (SONY CORPORATION) 11 October 2000 (2000-10-11) * the whole document * -----	1-12	
The present search report has been drawn up for all claims			
1	Place of search The Hague	Date of completion of the search 29 September 2005	Examiner Czarik, D
CATEGORY OF CITED DOCUMENTS		T : theory or principle underlying the invention E : earlier patent document, but published on, or after the filing date D : document cited in the application L : document cited for other reasons & : member of the same patent family, corresponding document	
X : particularly relevant if taken alone Y : particularly relevant if combined with another document of the same category A : technological background O : non-written disclosure P : intermediate document			

EPO FORM 1503 03.82 (P.04C01)

**ANNEX TO THE EUROPEAN SEARCH REPORT
ON EUROPEAN PATENT APPLICATION NO.**

EP 04 00 2468

This annex lists the patent family members relating to the patent documents cited in the above-mentioned European search report. The members are as contained in the European Patent Office EDP file on
The European Patent Office is in no way liable for these particulars which are merely given for the purpose of information.

29-09-2005

Patent document cited in search report	Publication date	Patent family member(s)	Publication date
US 6339814 B1	15-01-2002	US 6552976 B1	22-04-2003
WO 0249032 A	20-06-2002	JP 2002184159 A	28-06-2002
		TW 526407 B	01-04-2003
		US 2004028384 A1	12-02-2004
US 2004028384 A1	12-02-2004	WO 0249032 A1	20-06-2002
		JP 2002184159 A	28-06-2002
		TW 526407 B	01-04-2003
US 6151262 A	21-11-2000	NONE	
EP 1260929 A	27-11-2002	US 2002177362 A1	28-11-2002
US 2002154900 A1	24-10-2002	JP 2002318598 A	31-10-2002
WO 0067261 A	09-11-2000	AU 4809100 A	17-11-2000
		CN 1349649 A	15-05-2002
		DE 60011894 D1	05-08-2004
		DE 60011894 T2	30-12-2004
		EP 1177557 A1	06-02-2002
		JP 2002543476 T	17-12-2002
		MX PA01010909 A	06-05-2002
EP 1043729 A	11-10-2000	CN 1272030 A	01-11-2000
		DE 60001681 D1	24-04-2003
		DE 60001681 T2	04-03-2004
		DE 60017613 D1	24-02-2005
		US 6601140 B1	29-07-2003