



(12) EUROPEAN PATENT APPLICATION

(88) Date of publication A3:
08.09.1999 Bulletin 1999/36

(51) Int Cl.⁶: G03G 15/01, G03G 15/08

(43) Date of publication A2:
07.01.1999 Bulletin 1999/01

(21) Application number: 98305329.9

(22) Date of filing: 03.07.1998

(84) Designated Contracting States:
AT BE CH CY DE DK ES FI FR GB GR IE IT LI LU
MC NL PT SE
Designated Extension States:
AL LT LV MK RO SI

- Kanno, Kazuhiko
Ohta-ku, Tokyo (JP)
- Nittani, Susumu
Ohta-ku, Tokyo (JP)

(30) Priority: 03.07.1997 JP 19502797
01.07.1998 JP 18614498

(74) Representative:
Beresford, Keith Denis Lewis et al
BERESFORD & Co.
High Holborn
2-5 Warwick Court
London WC1R 5DJ (GB)

(71) Applicant: CANON KABUSHIKI KAISHA
Tokyo (JP)

(72) Inventors:
• Yokomori, Kanji
Ohta-ku, Tokyo (JP)

(54) Side cover of developing cartridge, mounting method thereof and developing cartridge

(57) A developing cartridge side cover for a developing cartridge, detachably mountable to a main assembly of an electrophotographic image forming apparatus, for developing a latent image formed on the electrophotographic photosensitive member, the developing cartridge including a developing member for developing a latent image formed on the electrophotographic photosensitive member, a driving force receiving member for receiving driving force for rotating the developing member from the main assembly, when the developing cartridge is mounted to the main assembly, a developing bias contact for receiving a developing bias to be applied to the developing member from the main assembly when the developing cartridge is mounted to the main assembly, the side cover includes an opening for exposing the driving force receiving member, and a developing bias contact mounting portion for mounting the developing bias contact.

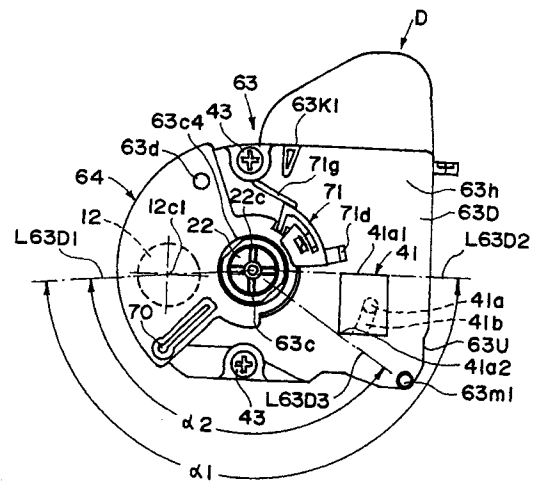


FIG. 39



European Patent
Office

EUROPEAN SEARCH REPORT

Application Number
EP 98 30 5329

DOCUMENTS CONSIDERED TO BE RELEVANT			
Category	Citation of document with indication, where appropriate, of relevant passages	Relevant to claim	CLASSIFICATION OF THE APPLICATION (Int.Cl.6)
E	EP 0 889 378 A (CANON KK) 7 January 1999 (1999-01-07) * the whole document *	1-24	G03G15/01 G03G15/08
E	EP 0 889 374 A (CANON KK) 7 January 1999 (1999-01-07) * the whole document *	1-24	
P,A	EP 0 794 471 A (CANON KK) 10 September 1997 (1997-09-10) * the whole document *	1,11,13	
P,A	US 5 646 721 A (SUGIHARA KAZUYUKI ET AL) 8 July 1997 (1997-07-08) * claims; figure 5 *	1,11,13, 23,24	
A	PATENT ABSTRACTS OF JAPAN vol. 095, no. 005, 30 June 1995 (1995-06-30) & JP 07 036248 A (CANON INC), 7 February 1995 (1995-02-07) * abstract *	1,11,13, 23,24	
			TECHNICAL FIELDS SEARCHED (Int.Cl.6)
A	US 4 713 673 A (KESSOKU HIROBUMI) 15 December 1987 (1987-12-15) * figures 2-4,18-21 *	1,11,13, 23,24	G03G
A	PATENT ABSTRACTS OF JAPAN vol. 095, no. 006, 31 July 1995 (1995-07-31) & JP 07 056417 A (RICOH CO LTD), 3 March 1995 (1995-03-03) * abstract *	1,11,13	
A	EP 0 613 060 A (CANON KK) 31 August 1994 (1994-08-31) * figures 7,8,18 *	1,11,13	
The present search report has been drawn up for all claims			
Place of search BERLIN		Date of completion of the search 15 July 1999	Examiner Hoppe, H
CATEGORY OF CITED DOCUMENTS		T : theory or principle underlying the invention E : earlier patent document, but published on, or after the filing date D : document cited in the application L : document cited for other reasons & : member of the same patent family, corresponding document	
X : particularly relevant if taken alone Y : particularly relevant if combined with another document of the same category A : technological background O : non-written disclosure P : intermediate document			

EPO FORM 1503 03 82 (P04C01)

ANNEX TO THE EUROPEAN SEARCH REPORT
ON EUROPEAN PATENT APPLICATION NO.

EP 98 30 5329

This annex lists the patent family members relating to the patent documents cited in the above-mentioned European search report. The members are as contained in the European Patent Office EDP file on
The European Patent Office is in no way liable for these particulars which are merely given for the purpose of information.

15-07-1999

Patent document cited in search report	Publication date	Patent family member(s)	Publication date
EP 0889378 A	07-01-1999	JP 11073004 A	16-03-1999
		AU 7405198 A	14-01-1999
		CN 1210285 A	10-03-1999
EP 0889374 A	07-01-1999	JP 11073010 A	16-03-1999
		AU 7405098 A	14-01-1999
EP 0794471 A	10-09-1997	JP 9297443 A	18-11-1997
		CN 1167282 A	10-12-1997
		CN 1168492 A	24-12-1997
		CN 1168493 A	24-12-1997
		EP 0794470 A	10-09-1997
		EP 0794472 A	10-09-1997
		JP 9297442 A	18-11-1997
		JP 9297444 A	18-11-1997
		AU 3611497 A	03-09-1998
US 5646721 A	08-07-1997	JP 7325480 A	12-12-1995
		US 5761576 A	02-06-1998
JP 07036248 A	07-02-1995	NONE	
US 4713673 A	15-12-1987	JP 61232469 A	16-10-1986
		JP 61233758 A	18-10-1986
		DE 3611790 A	16-10-1986
JP 07056417 A	03-03-1995	US 5512984 A	30-04-1996
EP 0613060 A	31-08-1994	JP 6250484 A	09-09-1994
		JP 6250486 A	09-09-1994
		CN 1095493 A	23-11-1994
		KR 135258 B	15-05-1998
		SG 43244 A	17-10-1997
		US 5497220 A	05-03-1996

EPO FORM P0459

For more details about this annex : see Official Journal of the European Patent Office, No. 12/82