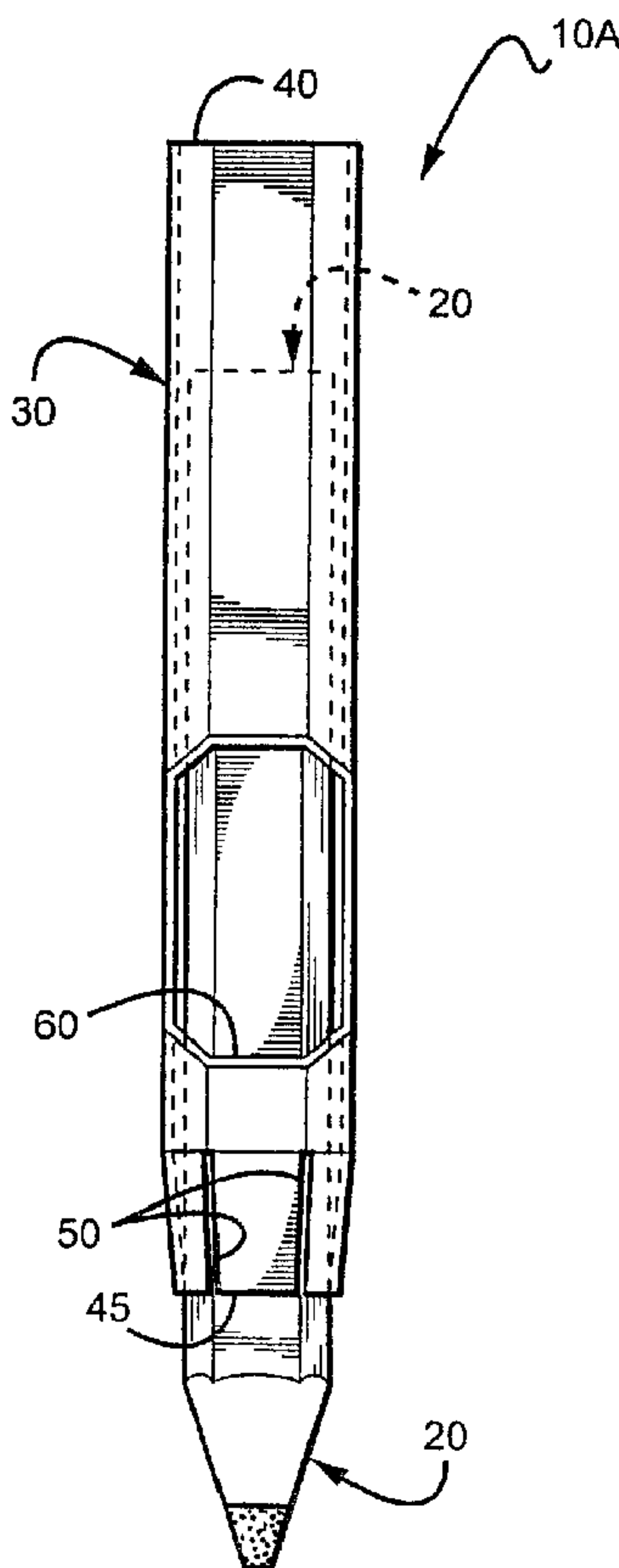




(86) Date de dépôt PCT/PCT Filing Date: 2000/12/15  
 (87) Date publication PCT/PCT Publication Date: 2001/06/21  
 (45) Date de délivrance/Issue Date: 2005/06/28  
 (85) Entrée phase nationale/National Entry: 2002/06/14  
 (86) N° demande PCT/PCT Application No.: US 2000/034059  
 (87) N° publication PCT/PCT Publication No.: 2001/043988  
 (30) Priorité/Priority: 1999/12/15 (09/467,107) US

(51) Cl.Int.<sup>7</sup>/Int.Cl.<sup>7</sup> B43K 23/016  
 (72) Inventeur/Inventor:  
MULLINS, ERIC J., US  
 (73) Propriétaire/Owner:  
MULLINS, ERIC J., US  
 (74) Agent: GOWLING LAFLEUR HENDERSON LLP

(54) Titre : DISPOSITIF PORTE-CRAYON  
 (54) Title: APPARATUS FOR HOLDING A WRITING UTENSIL



(57) Abrégé/Abstract:

A writing utensil holder (10A, 10B) protects the body of a writing utensil (20) and allows the operator to use and store the writing utensil until it becomes too short to otherwise be effectively used or stored by the operator. It is preferred that the writing utensil holder is made of a rigid material, such as aluminum, and has a unibody construction. It is also preferred that the writing utensil

**(57) Abrégé(suite)/Abstract(continued):**

holder comprises a receptacle (30) with an upper-end opening (40), a lower-end opening (45), a plurality of incisions (50) adjacent the lower-end opening, and a lengthwise opening (60) made lengthwise along the receptacle. The receptacle may advantageously comprise a detent that holds a second writing utensil in place. An optional spring clip may be added for retaining the writing utensil holder in the pocket of a user or user's supply bag.

## (12) INTERNATIONAL APPLICATION PUBLISHED UNDER THE PATENT COOPERATION TREATY (PCT)

(19) World Intellectual Property Organization  
International Bureau(43) International Publication Date  
21 June 2001 (21.06.2001)

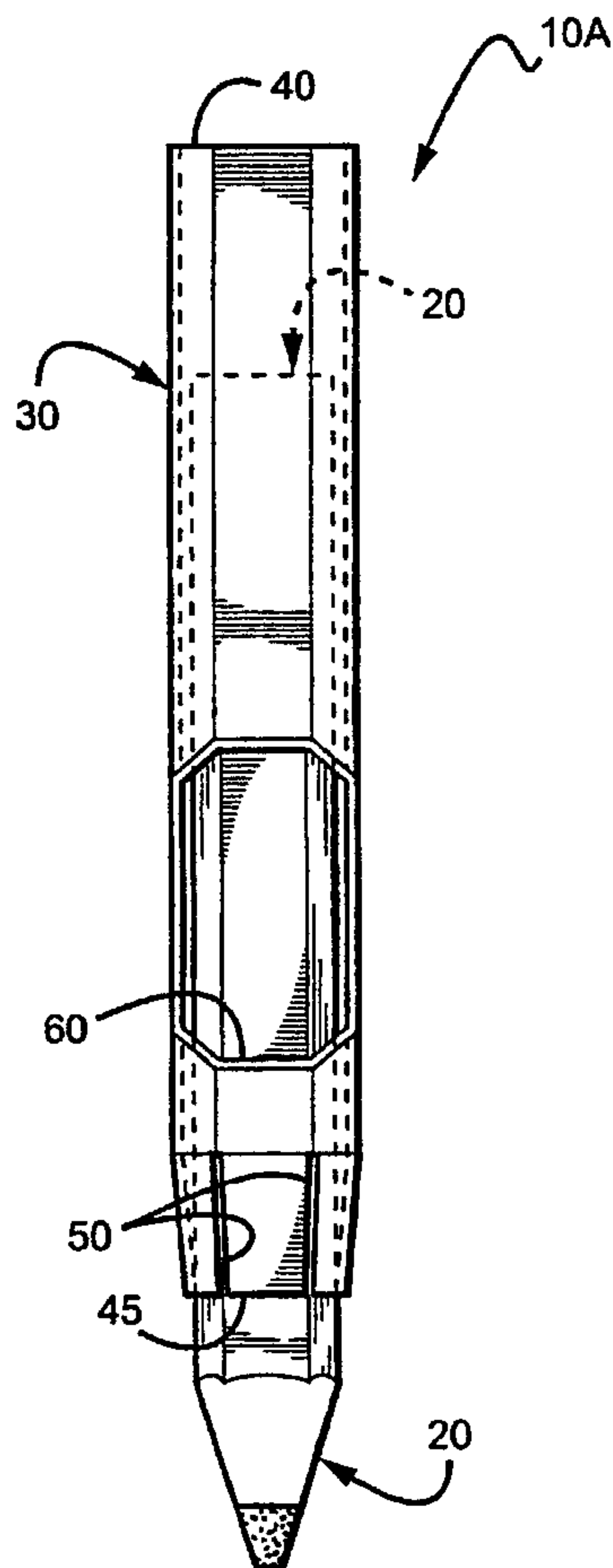
PCT

(10) International Publication Number  
WO 01/43988 A1

- (51) International Patent Classification<sup>7</sup>: B43K 23/016
- (21) International Application Number: PCT/US00/34059
- (22) International Filing Date:  
15 December 2000 (15.12.2000)
- (25) Filing Language: English
- (26) Publication Language: English
- (30) Priority Data:  
09/467,107 15 December 1999 (15.12.1999) US
- (71) Applicant and  
(72) Inventor: MULLINS, Eric, J. [US/US]; 172 Trefello Lane, Aliso Viejo, CA 92656 (US).
- (74) Agent: KLINGER, Robert, C.; Jackson Walker, LLP, Suite 600, 2435 N. Central Expressway, Richardson, TX 75080 (US).
- (81) Designated States (*national*): AE, AL, AM, AT, AU, AZ, BA, BB, BG, BR, BY, CA, CH, CN, CU, CZ, DE, DK, EE, ES, FI, GB, GD, GE, GH, GM, HR, HU, ID, IL, IN, IS, JP, KE, KG, KP, KR, KZ, LC, LK, LR, LS, LT, LU, LV, MD, MG, MK, MN, MW, MX, NO, NZ, PL, PT, RO, RU, SD, SE, SG, SI, SK, SL, TJ, TM, TR, TT, UA, UG, UZ, VN, YU, ZA, ZW.
- (84) Designated States (*regional*): ARIPO patent (GH, GM, KE, LS, MW, MZ, SD, SL, SZ, TZ, UG, ZW), Eurasian patent (AM, AZ, BY, KG, KZ, MD, RU, TJ, TM), European patent (AT, BE, CH, CY, DE, DK, ES, FI, FR, GB, GR, IE, IT, LU, MC, NL, PT, SE, TR), OAPI patent (BF, BJ, CF, CG, CI, CM, GA, GN, GW, ML, MR, NE, SN, TD, TG).
- Published:  
— With international search report.

[Continued on next page]

(54) Title: APPARATUS FOR HOLDING A WRITING UTENSIL



(57) Abstract: A writing utensil holder (10A, 10B) protects the body of a writing utensil (20) and allows the operator to use and store the writing utensil until it becomes too short to otherwise be effectively used or stored by the operator. It is preferred that the writing utensil holder is made of a rigid material, such as aluminum, and has a unibody construction. It is also preferred that the writing utensil holder comprises a receptacle (30) with an upper-end opening (40), a lower-end opening (45), a plurality of incisions (50) adjacent the lower-end opening, and a lengthwise opening (60) made lengthwise along the receptacle. The receptacle may advantageously comprise a detent that holds a second writing utensil in place. An optional spring clip may be added for retaining the writing utensil holder in the pocket of a user or user's supply bag.



WO 01/43988 A1

**WO 01/43988 A1**



— *Before the expiration of the time limit for amending the claims and to be republished in the event of receipt of amendments.*

*For two-letter codes and other abbreviations, refer to the "Guidance Notes on Codes and Abbreviations" appearing at the beginning of each regular issue of the PCT Gazette.*

**APPARATUS FOR HOLDING A WRITING UTENSIL**

5

**Field of the Invention**

The field of the invention is accessories for writing utensils;

10

**Background of the Invention**

Writing utensils, including wooden pencils, chalk, and crayons are used extensively by professionals, children, teachers, and "on-site" workers, such as construction workers and architects. There is, however, a need to protect writing utensils against damage and breakage, and also a need to extend the life of writing utensils to make them economically more efficient.

15

20

US 4522522 issued to Zeitelhack (June 1985) describes a multi-component pencil holder that is designed to limit the protrusion of the point of a standard wooden pencil. The pencil holder is also specifically designed to receive a replaceable eraser element. However, the Zeitelhack pencil holder cannot accept other writing utensils, such as larger and/or oval wooden construction pencils, crayons or chalk. Also, the Zeitelhack holder is specifically designed to be a multi-component pencil holder. Such multi-component designs do not allow for unibody constructions, and thus do not have the added advantage of simplicity.

25

US 5779381 issued to Muelver (July 1998) describes a multi-component crayon holder that is designed to receive a crayon, and to further engage the crayon when an attached plunger pushes the crayon out of the opposing end opening. Once again, the Muelver holder is specifically designed to be a multi-component holder, much like the one described by Zeitelhack.



US 5722782 issued to Rosenthal (March 1998) and US 5944435 issued to Chai (August 1999) are also similar to the Zeitelhack and Muelver holders described above in that they are multi-component pencil holding devices. The Rosenthal device has a threaded inner surface and a chuck assembly that is designed to aid in dispensing the pencil. The Chai device has a control member mounted to the pencil holding apparatus so that the user may engage and dispense the pencil from one end of the holder.

Therefore, there is still a need to provide a single component apparatus that will protect different kinds of writing utensils, including larger and/or oval construction pencils, crayons, or chalk.

Various objects, features, aspects and advantages of the present invention will become more apparent from the following detailed description of preferred embodiments of the invention, along with the accompanying drawings in which like numerals represent like components.

#### Summary

The present invention is directed to a holder that protects the body of a writing utensil, as well as allowing the operator to use and store the writing utensil until it becomes too short to be effectively used by the operator. In preferred embodiments, this is accomplished by using a writing utensil holder that is made of a rigid material, such as aluminum, steel or composite material, and that has a unibody construction.

In preferred embodiments, a writing utensil holder designed to hold a writing utensil comprises a receptacle with an upper-end opening, a lower-end opening, a plurality of incisions adjacent the lower-end opening, and a lengthwise opening made lengthwise along the receptacle. The receptacle may also comprise a detent that holds a second writing utensil in place. An optional spring clip may be added for retaining the writing utensil holder in the pocket of a user or user's supply bag.

**Brief Description of the Figures**

Figure 1 shows a preferred embodiment of the claimed holder.

Figure 2 shows another preferred embodiment of the claimed holder.

Figure 3 shows preferred embodiments of the claimed holder 10, wherein  
5 the claimed holder comprises a spring clip 90.

Figures 4A-4C show preferred embodiments of the claimed holder, wherein  
10 4A shows a pen as the writing utensil 20, 4B shows a crayon as the writing  
utensil 20 and 4C shows a piece of chalk as the writing utensil 20.

Figures 5A-5E shows yet other preferred embodiments of the claimed holder,  
wherein 5A is a cross-sectional view of a square shaped writing utensil 20, 5B  
15 is a cross-sectional view of a rectangular shaped writing utensil 20, 5C is a  
cross-sectional view of an octagonally shaped writing utensil 20, 5E is a cross-  
sectional view of a hexagonally shaped writing utensil 20, and 5D is a cross-  
sectional view of a triangularly shaped writing utensil 20.

Figure 6 shows other preferred embodiments of the claimed holder.

**Detailed Description**

20 The present invention is directed to a holder that protects the body of a writing utensil,  
as well as allowing the operator to use and store the writing utensil until it becomes too short  
to otherwise be effectively used. In preferred embodiments, this is accomplished by using a  
writing utensil holder that is made of a rigid material, such as aluminum, or steel and has a  
unibody construction.

25 As used herein, the term "unibody" refers to the holder that potentially juxtaposes the  
writing utensil. The term "unibody" does not refer to any piece that may be attached  
externally to the body of the holder, such as an optional spring clip for retaining the holder in  
the pocket of a user or user's supply bag.

WO 01/43988

PCT/US00/34059

As used herein, the term "writing utensil" means any tool used for writing, including pens, pencils, crayons, and chalk. As used herein, the term "pencil" means any elongated implement for writing, drawing, or marking, usually comprising a thin rod of graphite, colored wax, or similar substance encased in wood or held in a mechanical holder.

5 As used herein, the term "composite material" means any combination of precursor materials such that the resulting product has improved physical properties. For example, a composite material may include a resin combined with another material, such as glass fiber, in such a way that the resulting product has improved physical properties, such as durability,  
10 temperature stability, and/or flexibility.

As used herein, the term "polymeric material" means that material comprising compounds of high molecular weight that are made up of a large number of simple molecules which have reacted with one another. Examples of polymeric materials include but are not

15

20

25



limited to polyvinylchloride (PVC), nylon, polyurethane, polysilicones, epoxies, adhesives, thermoplastic resins, rubber compounds, polyacrylonitrile compounds, polyacrylamide compounds, styrene compounds, polyaramid compounds, vinylester compounds, and polyester compounds.

5           In preferred embodiments shown in **Figures 1 and 2**, a writing utensil holder **10 A**, and **10 B**, respectively, designed to hold a writing utensil **20** (depicted partially in phantom) comprises a receptacle **30** with an upper-end opening **40**, a lower-end opening **45**, a plurality of incisions **50** adjacent the lower-end opening **40**, and a lengthwise opening **60** made lengthwise along the receptacle **30**. Receptacle **30** may also comprise a detent **70** that holds a  
10 second writing utensil **80** (in phantom) in place. An optional spring clip **90** (not shown) may be externally attached to the writing utensil holder for retaining the writing utensil holder **10 A**, and/or **10 B** in the pocket of a user or user's supply bag. It is contemplated that the spring clip is externally attached by adhering, welding or otherwise affixing the clip to the writing utensil holders **10 A** and/or **10 B**.

15           In preferred embodiments, writing utensil holders **10 A** and **10 B** are constructed of uncoated aluminum. Writing utensil holders **10 A** and **10 B** contemplated herein, however, may be made or formed out of any suitable material (metal, non-metal or composite material), such as aluminum, steel, copper, PVC pipe, wood, or cardboard. Writing utensil holders **10 A** and **10 B** may be coated with any suitable material (metal, non-metal or polymeric material),  
20 such as paint, resin, sealant, primer, or paper.

Writing utensil **20** may comprise any tool used for writing, including pens, pencils, crayons, and chalk. Writing utensil **20** may also comprise any size or shape cross-sectional design, including circular, oval, square, rectangular, octagonal, hexagonal or triangular.

25           In preferred embodiments, receptacle **30** is of unibody construction and is designed to internally receive writing utensil **20**. In more preferred embodiments, receptacle **30** comprises the size and shape of the writing utensil that it is designed to receive. It is contemplated, however, that receptacle **30** may comprise a mechanism that allows it to be adjustably-sized, in that receptacle **30** ultimately can receive and adjust to any size or shape of

writing utensil **20**. The mechanism for adjustably-sizing the receptacle **30** includes flexible claw mechanisms, and spring mechanisms.

Receptacle **30** can be imprinted, formed to include, or otherwise display visible or tactile indicia, such as company markings, company designs, school designs, and sports team markings and designs. Receptacle **30** may also receive coatings that are in the shape of company markings, company designs, school designs, and sports team markings and designs. Such coating may comprise any suitable material, including paint, metal, plastic, and composite material, and may be of any suitable color, including red, green, blue, yellow, black, and orange.

Upper-end opening **40** preferably comprises an opening that approximates the cross-sectional size and shape of the receptacle **30**, and is designed to initially receive writing utensil **20**. Upper-end opening **40** may also comprise a mechanism that allows it to be adjustably-sized as to adapt and adjust to the writing utensil **20** that upper-end opening **40** is receiving. The mechanism for adjustably-sizing the upper-end opening **40** includes flexible claw mechanisms, and spring mechanisms.

Lower-end opening **45** preferably comprises an opening that is slightly smaller than upper-end opening **40** and allows the end of writing utensil **20** to extend from receptacle **30**. Lower-end opening **45** is contemplated to be slightly smaller than upper-end opening **40** in order to firmly hold writing utensil **20** inside of receptacle **30** as shown in **Figure 1**. Lower-end opening **45** may comprise a mechanism that allows it to be adjustably-sized as to adapt and adjust to the writing utensil **20** that lower-end opening **45** is receiving. The mechanism for adjustably-sizing the lower-end opening **45** includes flexible claw mechanisms, and spring mechanisms.

A plurality of incisions **50** is advantageously cut or formed into the receptacle **30** at the lower-end opening **45** in order to provide the lower-end opening **45** with a small degree of flexibility upon receiving writing utensil **20**. The plurality of incisions **50** can be cut or formed in a uniform length or may be cut or formed alternately in shorter and longer lengths, as shown in **Figure 1**.

Lengthwise opening **60** in the receptacle **30** is advantageously designed to allow the operator to subsequently extend the writing utensil **20** through the lower-end opening **45**. Lengthwise opening **60** may be any suitable size or shape, and the size and shape will ultimately depend on the size and shape of receptacle **30**.

5           **Figure 2** shows an optional detent **70** that is designed to hold a second writing utensil **80** (shown entirely in phantom) firmly in place within receptacle **30**. Optional detent **70** may be any suitable size or shape to hold the second writing utensil **80** firmly into place within the receptacle **30**, and the size and shape will ultimately depend on the size and shape of receptacle **30**.

10           Thus, specific embodiments and applications of holder for holding a writing utensil have been disclosed. It should be apparent, however, to those skilled in the art that many more modifications besides those already described are possible without departing from the inventive concepts herein. The inventive subject matter, therefore, is not to be restricted  
15           except in the spirit of the appended claims. Moreover, in interpreting both the specification and the claims, all terms should be interpreted in the broadest possible manner consistent with the context. In particular, the terms “comprises” and “comprising” should be interpreted as referring to elements, components, or steps in a non-exclusive manner, indicating that the referenced elements, components, or steps may be present, or utilized, or combined with other elements, components, or steps that are not expressly referenced.

20



**I CLAIM:**

1. A writing utensil holder for protecting the body of a writing utensil, comprising:  
a receptacle having an upper end, a lower end having an opening, a plurality of  
5 incisions adjacent the lower end opening, and a lengthwise opening disposed proximate  
the lower end made lengthwise along the receptacle, wherein the receptacle is adapted to  
couple to a writing utensil having an oval or elongated hexagonal cross-sectional shape.
2. The holder of claim 1, wherein the receptacle has at least three incisions adapted  
to permit the receptacle lower end to couple to the writing utensil.
- 10 3. The holder of claim 1, wherein the plurality of incisions are uniformly formed  
into the receptacle.
4. The holder of claim 1, wherein the plurality of incisions have alternately short and  
long lengths.
5. The holder of claim 1 wherein the lower end opening is axially aligned with the  
15 lengthwise receptacle.
6. The holder of claim 1, wherein the receptacle comprises a unibody construction.
7. The holder of claim 1, wherein the writing utensil holder is adapted to couple to a  
pen, a pencil, a crayon or a piece of chalk.
8. The holder of claim 1, wherein the writing utensil holder is adapted to couple to a  
20 pencil.
9. The holder of claim 1, wherein the receptacle is formed from metal or composite  
material.
10. The holder of claim 9, wherein the metal is aluminium, steel, or copper.
11. The holder of claim 1, wherein the receptacle is coated with a polymeric material.



12. The holder of claim 11, wherein the polymeric material is paint, primer, or sealant.

13. The holder of claim 1, wherein the holder comprises a detent that holds a second writing utensil in place within the holder.

5 14. The holder of claim 1, wherein the holder comprises an externally-attached spring clip.

15. The holder of claim 1, wherein the receptacle is adapted to couple to a cross-sectionally oval or elongated hexagonal shaped pencil, the receptacle has a unibody construction and is formed from aluminium and coated with paint, the holder comprises a  
10 detent, and the holder comprises an externally-attached spring clip.

16. The holder of claim 1, wherein the receptacle is adapted to couple to a cross-sectionally oval or elongated hexagonal shaped pencil, the receptacle has a unibody construction and is formed from steel coated with sealant, and the holder comprises a detent.

15 17. The holder of claim 1, wherein the receptacle is adapted to couple to a cross-sectionally oval shaped pencil, the holder has a unibody construction that is adjustably-sized to the writing utensil and is formed from uncoated steel, and the holder comprises an externally-attached spring clip.

18. A writing utensil apparatus, comprising in combination:

20 a writing utensil having an oval or elongated hexagonal cross-sectional shape; and

a receptacle having an upper end, a lower end having an opening, a plurality of incisions adjacent the lower end opening, and a lengthwise opening made lengthwise along the receptacle, wherein the receptacle lower end is coupled to and acting directly on the writing utensil.

FIG. 1

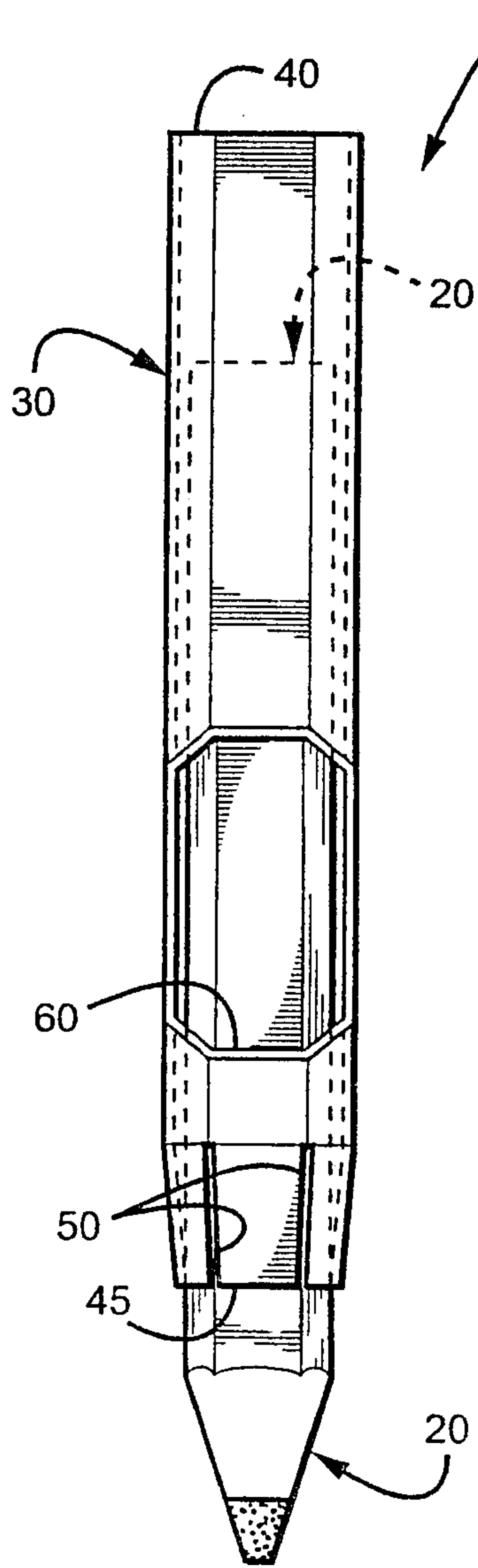


FIG. 2

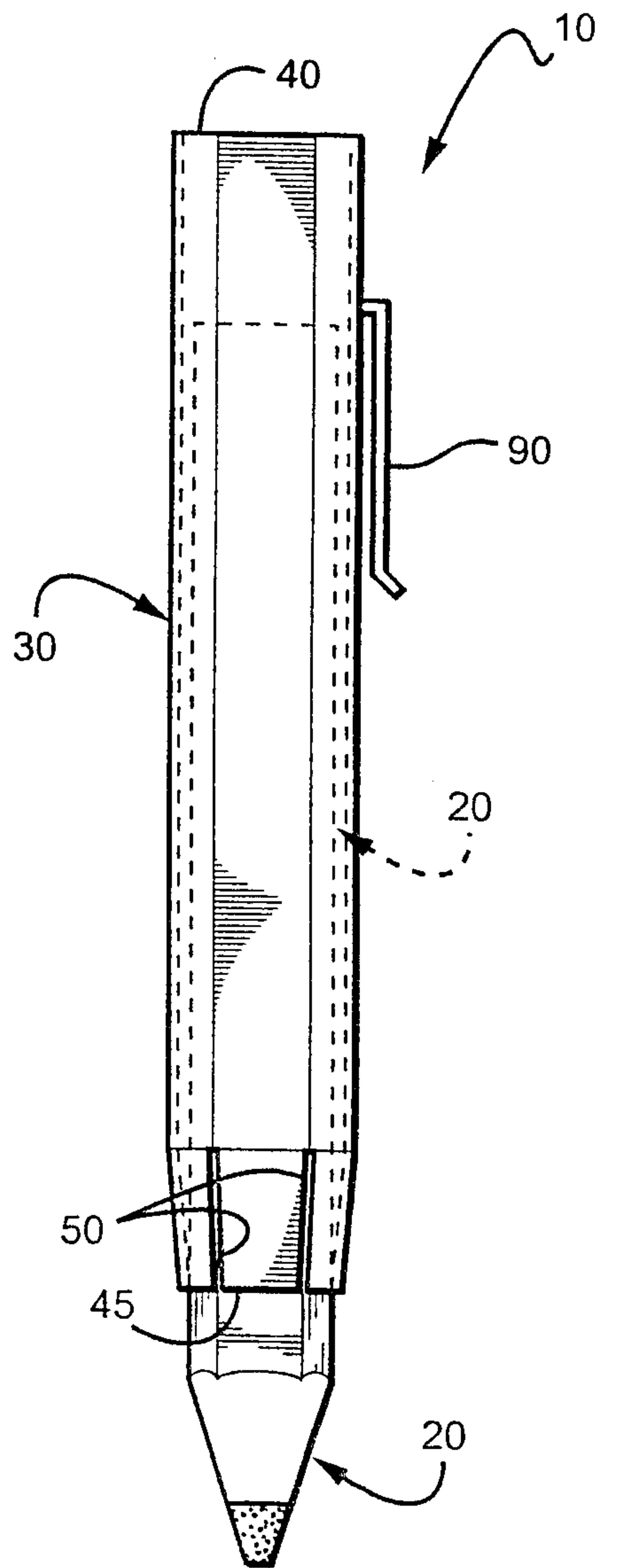
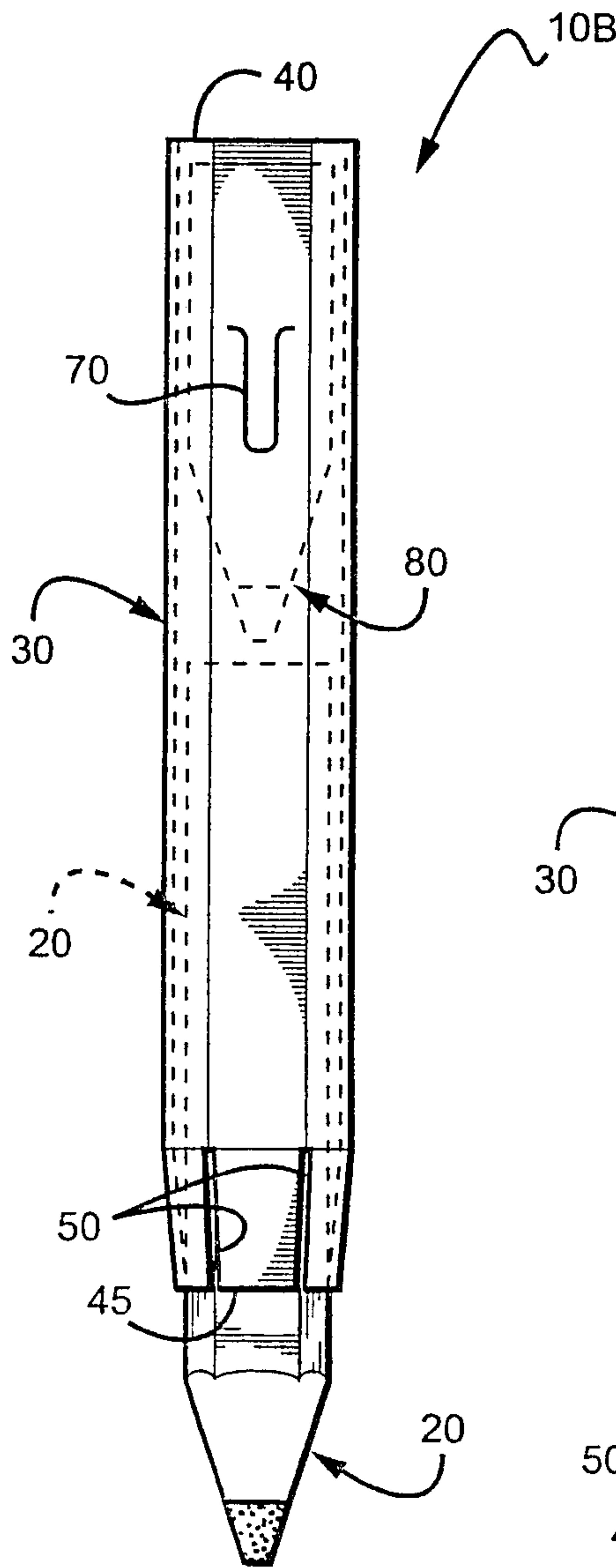


FIG. 3

FIG. 4A

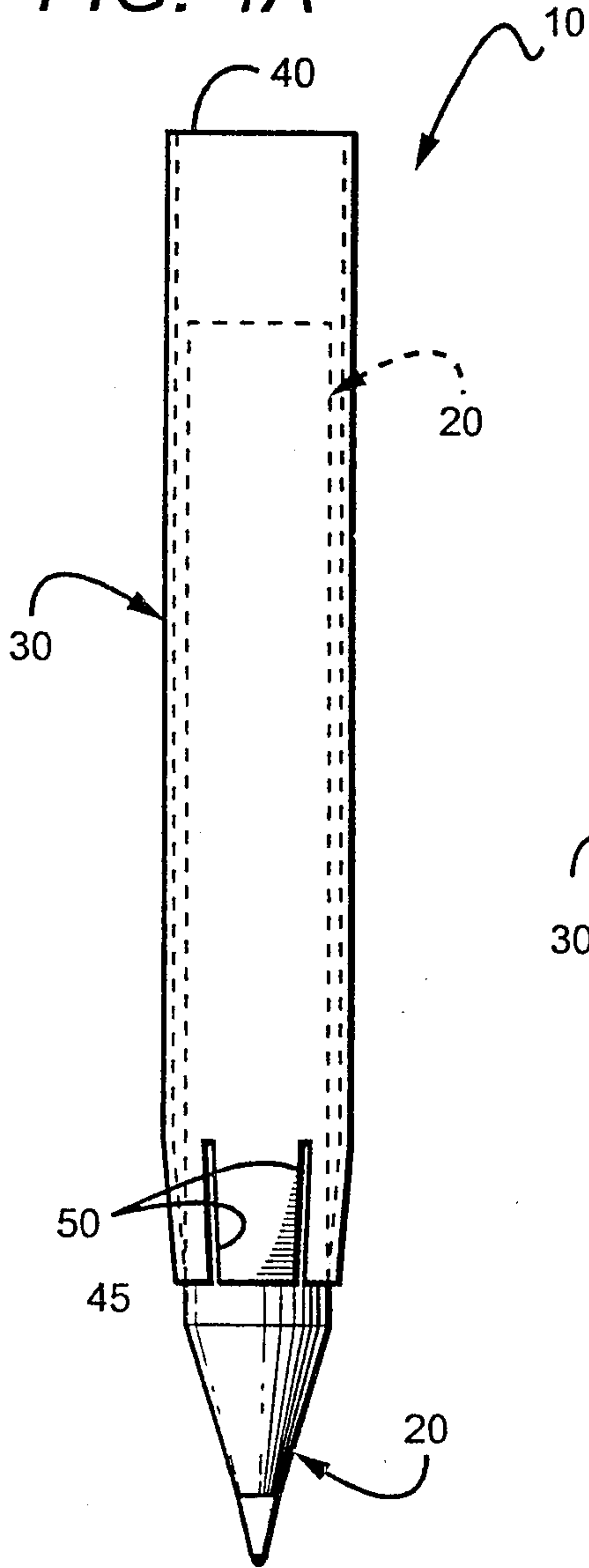


FIG. 4B

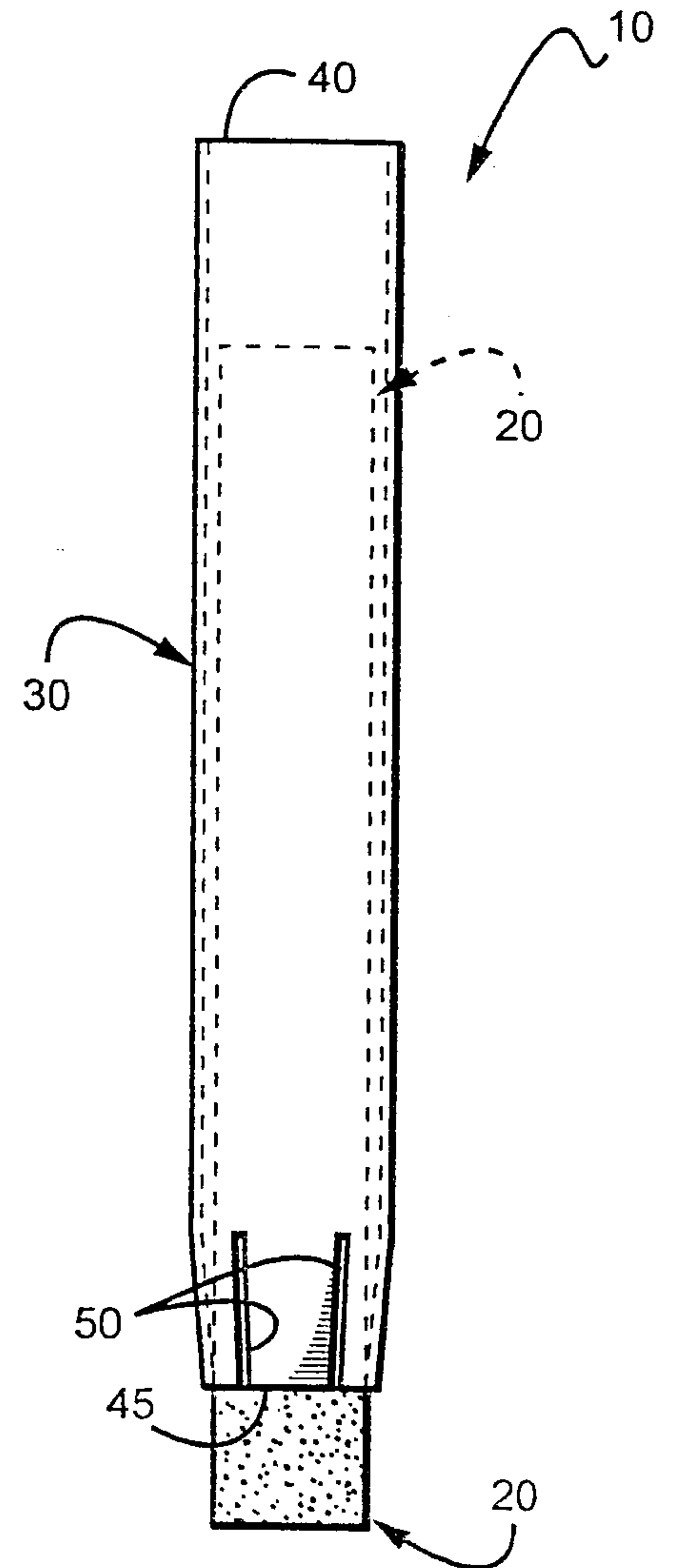
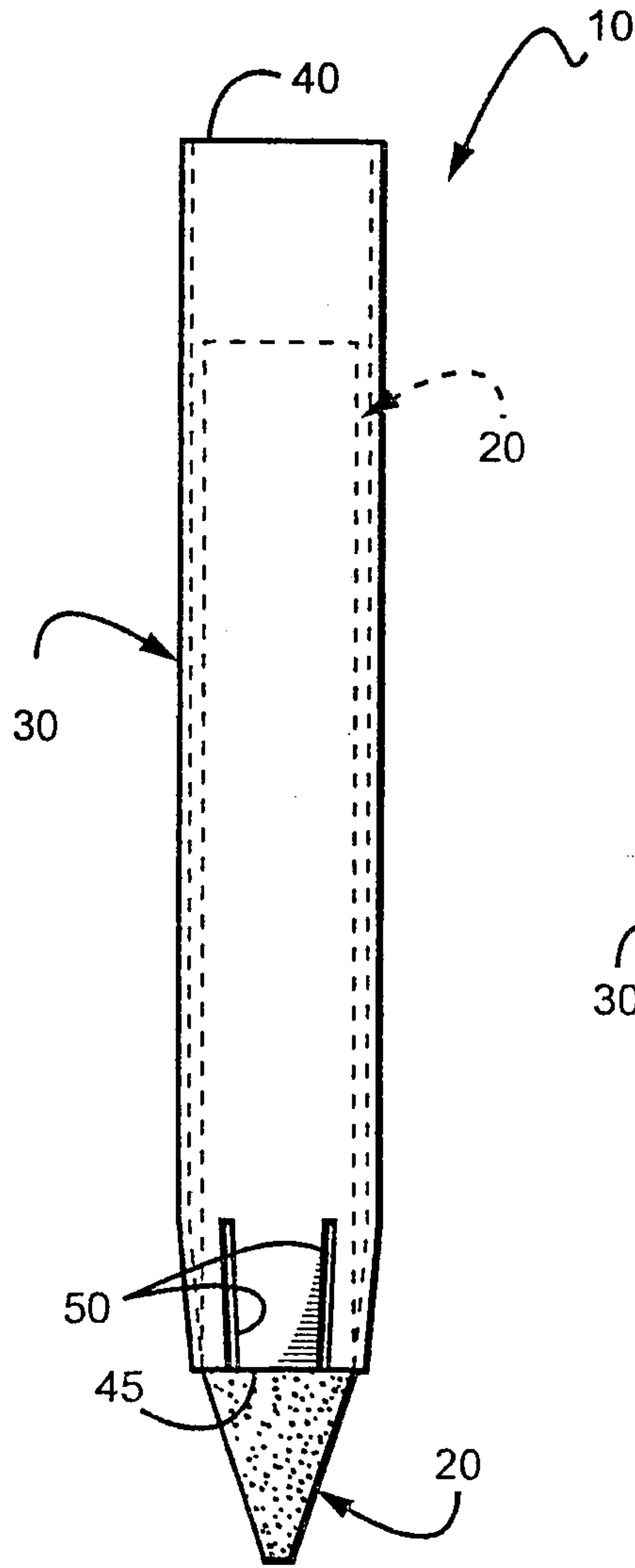


FIG. 4C

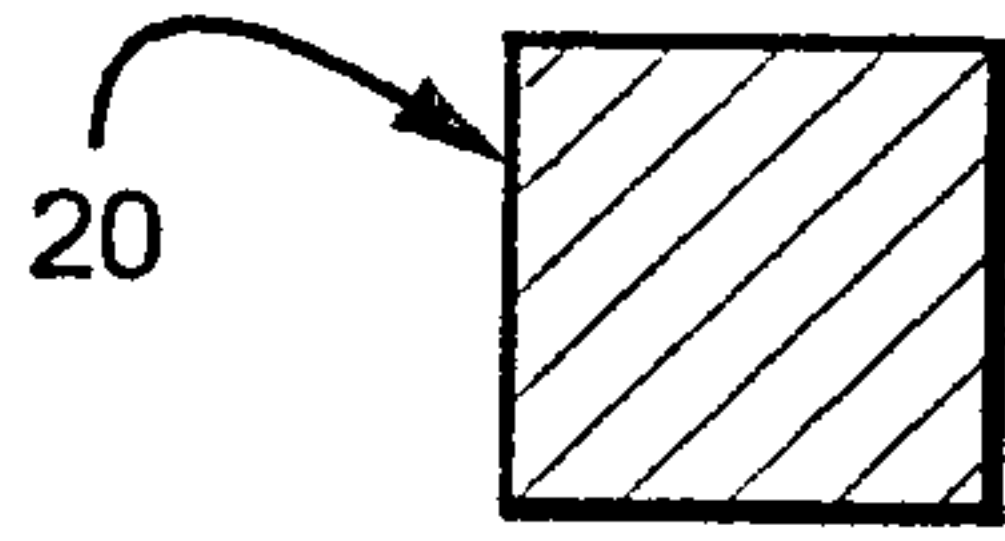


FIG. 5A

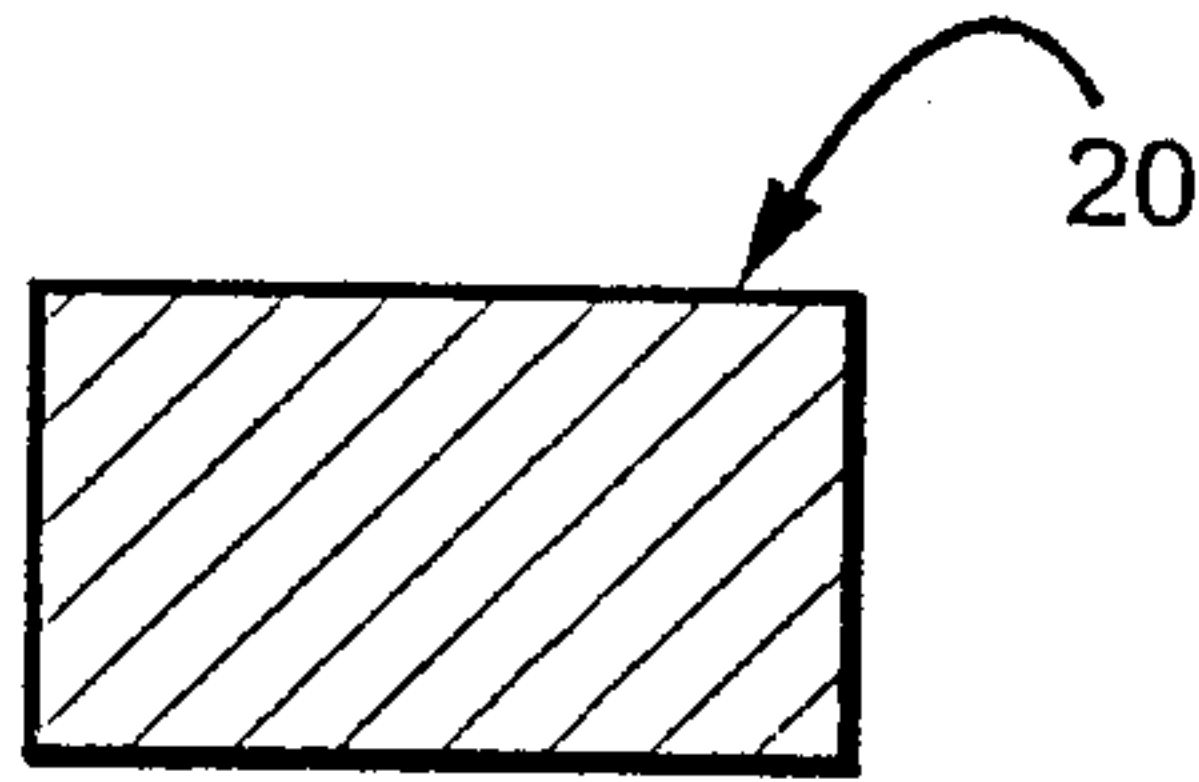


FIG. 5B

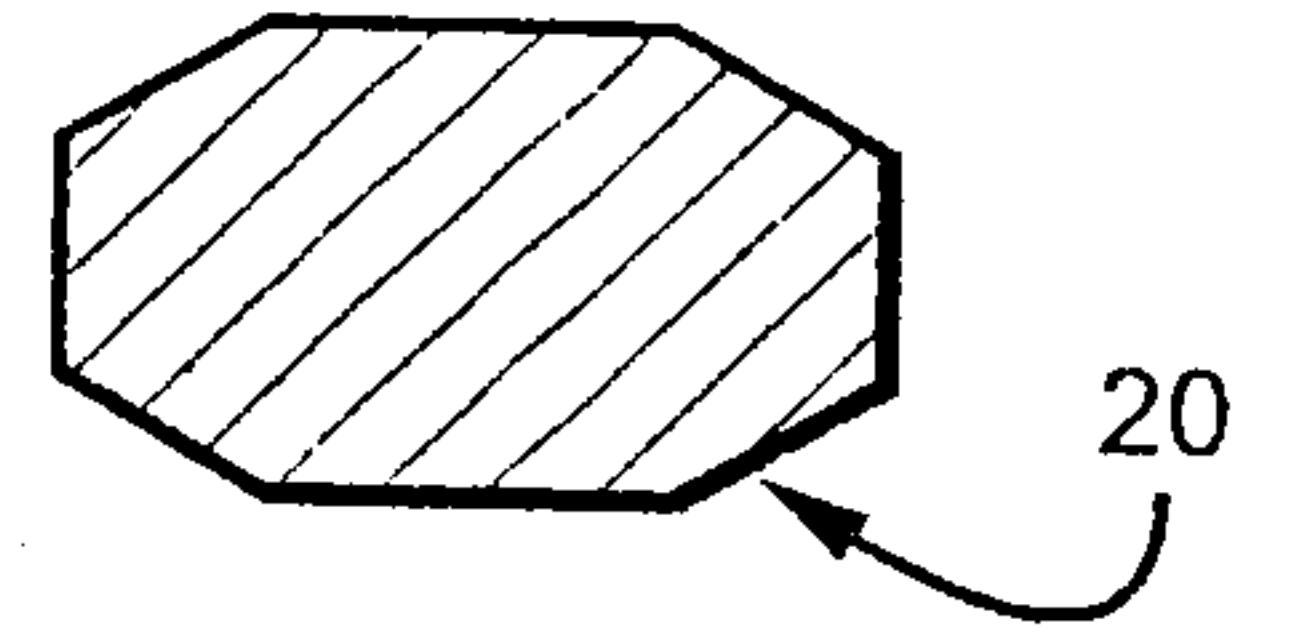


FIG. 5C

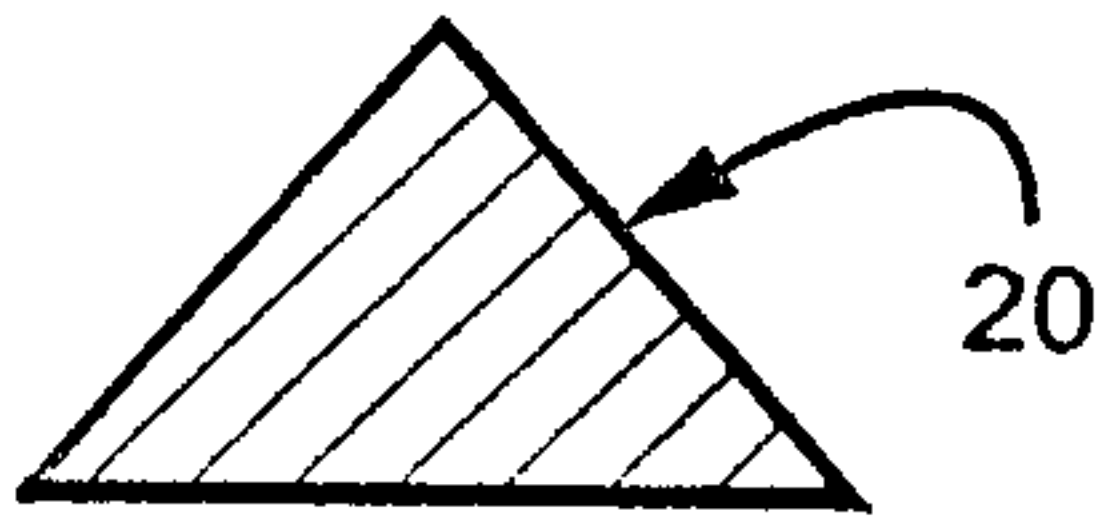


FIG. 5D

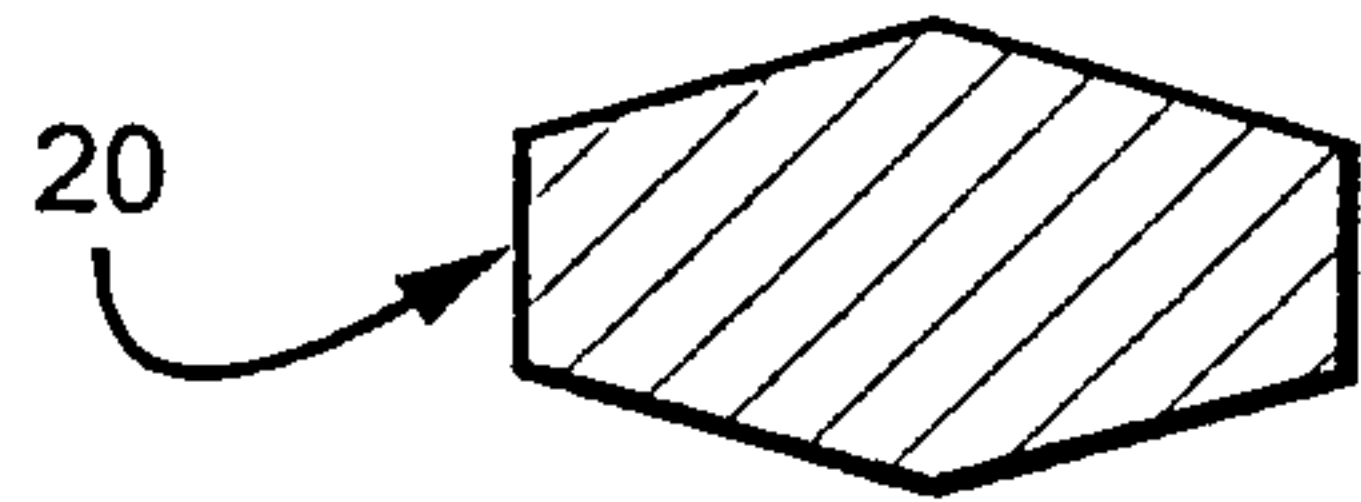


FIG. 5E

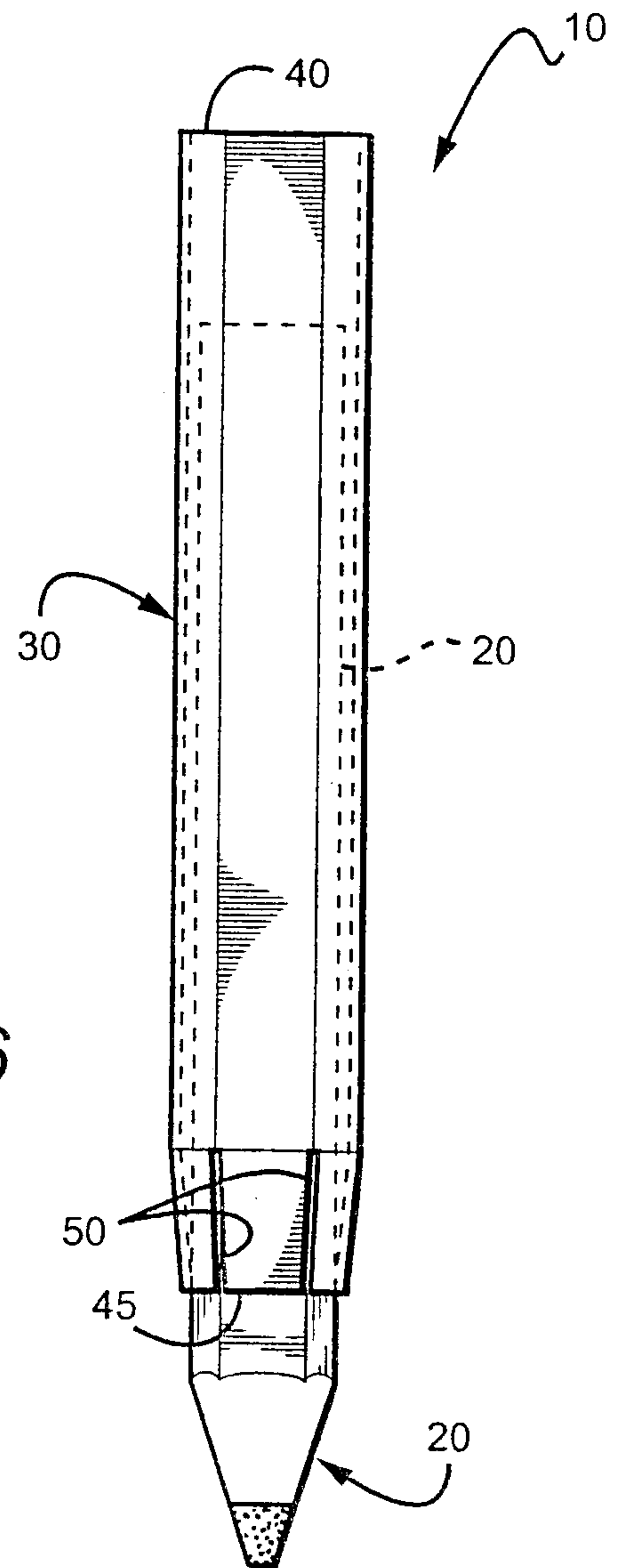


FIG. 6



