



US00D959247S

(12) **United States Design Patent** (10) **Patent No.:** **US D959,247 S**  
**Rizzo** (45) **Date of Patent:** **\*\* Aug. 2, 2022**

(54) **ROUND FOOTBALL BED LEG COVER**  
(71) Applicant: **Sandra Jean Rizzo**, Kenosha, WI (US)  
(72) Inventor: **Sandra Jean Rizzo**, Kenosha, WI (US)  
(\*\*) Term: **15 Years**  
(21) Appl. No.: **29/742,365**  
(22) Filed: **Oct. 27, 2020**

D609,987 S *	2/2010	Moman	.....	D8/38
D616,289 S *	5/2010	Frankel	.....	D8/374
D650,262 S *	12/2011	Hinkle, III	.....	D8/374
D668,942 S *	10/2012	McGarry	.....	D8/374
D682,078 S *	5/2013	Chase	.....	D8/374
D734,513 S *	7/2015	Brown	.....	D26/16
D793,211 S *	8/2017	Exley	.....	D8/374
D912,467 S *	3/2021	Cramton	.....	D7/515
D925,342 S *	7/2021	Winthrop	.....	D8/374
D945,868 S *	3/2022	Rizzo	.....	D8/374
2007/0220703 A1 *	9/2007	LaPointe	.....	A47B 91/06 16/42 R

(22) Filed: **Oct. 27, 2020**  
(51) **LOC (13) Cl.** ..... **08-05**  
(52) **U.S. Cl.**  
USPC ..... **D8/374**  
(58) **Field of Classification Search**  
USPC ..... D8/315, 321-322, 373-375;  
D21/707-710, 712-13, 780-781,  
D21/788-789, 799.1  
CPC ..... A47B 91/12; A47C 7/002; Y10T 16/216  
See application file for complete search history.

(Continued)

**OTHER PUBLICATIONS**

“Toe Guard-Bed Bumpers”, Apr. 10, 2012, Amazon.com, site visited Nov. 8, 2021: <https://www.amazon.com/Guard-bed-Bumpers-Against-Injuries-Package/dp/B007SRXQDQ> (Year: 2012).\*

(Continued)

*Primary Examiner* — Jack Reickel  
*Assistant Examiner* — Michael A Kervin  
(74) *Attorney, Agent, or Firm* — Davis & Kuelthau, sc;  
Joseph S. Heino; Erin E. Kaprelian

(56) **References Cited**

**U.S. PATENT DOCUMENTS**

D166,618 S *	4/1952	Mince	.....	D6/610
2,744,283 A *	5/1956	Reineman	.....	A47B 91/04 16/42 R
5,173,990 A *	12/1992	Owen	.....	B60B 33/0002 16/18 CG
D340,078 S *	10/1993	Turner	.....	D11/149
D373,721 S *	9/1996	Panow	.....	D6/710
D379,061 S *	5/1997	Williams	.....	D8/374
D433,321 S *	11/2000	Pattengell	.....	D8/402
D455,335 S *	4/2002	Cort	.....	D8/374
6,418,578 B1 *	7/2002	Polevoy	.....	A47B 91/00 16/18 CG
D474,960 S *	5/2003	West-Delgado	.....	D8/402
D487,392 S *	3/2004	Chase	.....	D8/374
D491,793 S *	6/2004	Corso	.....	D8/374
D512,870 S *	12/2005	Rochon	.....	D6/610
7,124,986 B1 *	10/2006	Bailey	.....	A47B 91/12 248/188.9
D557,598 S *	12/2007	Hoelting	.....	D8/402

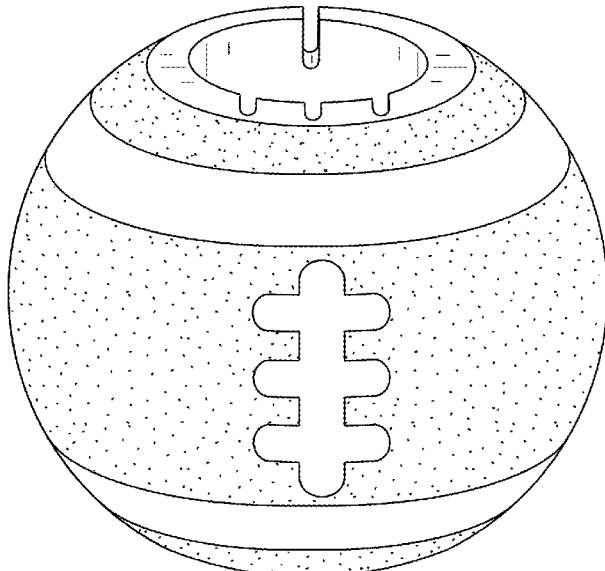
(57) **CLAIM**

The ornamental design for a round football bed leg cover, as shown and described.

**DESCRIPTION**

FIG. 1 is a front perspective view of a round football bed leg cover showing my new design;  
FIG. 2 is a rear perspective view of a round football bed leg cover showing my new design;  
FIG. 3 is a top plan view thereof;  
FIG. 4 is a bottom plan view thereof;  
FIG. 5 is a rear elevation view thereof; and,  
FIG. 6 is a front elevation view thereof.

**1 Claim, 6 Drawing Sheets**



(56)

**References Cited**

U.S. PATENT DOCUMENTS

2008/0258023 A1\* 10/2008 Desmarais ..... A47C 7/002  
248/188.9  
2012/0061545 A1\* 3/2012 Schneider ..... A47B 91/00  
248/345.1  
2013/0019410 A1\* 1/2013 Willis ..... A47B 91/12  
5/663  
2019/0357691 A1\* 11/2019 Rizzo ..... F21V 23/0471  
2020/0093265 A1\* 3/2020 Becker ..... A47B 91/12

OTHER PUBLICATIONS

“Bed Leg Toe Cushion”, Sep. 10, 2017, Amazon.com, site visited  
Nov. 8, 2021: [https://www.amazon.com/Cushion-Beige-Prevents-  
injuries-stubs/dp/B075JBFT2H](https://www.amazon.com/Cushion-Beige-Prevents-injuries-stubs/dp/B075JBFT2H) (Year: 2017).\*

“Funny Novelty Practice Golf Balls”, Sep. 13, 2017, Amazon.com,  
site visited Nov. 8, 2021: [https://www.amazon.com/Funny-Novelty-  
Practice-Christmas-Birthday/dp/B075LDDN9F](https://www.amazon.com/Funny-Novelty-Practice-Christmas-Birthday/dp/B075LDDN9F) (Year: 2017).\*

\* cited by examiner

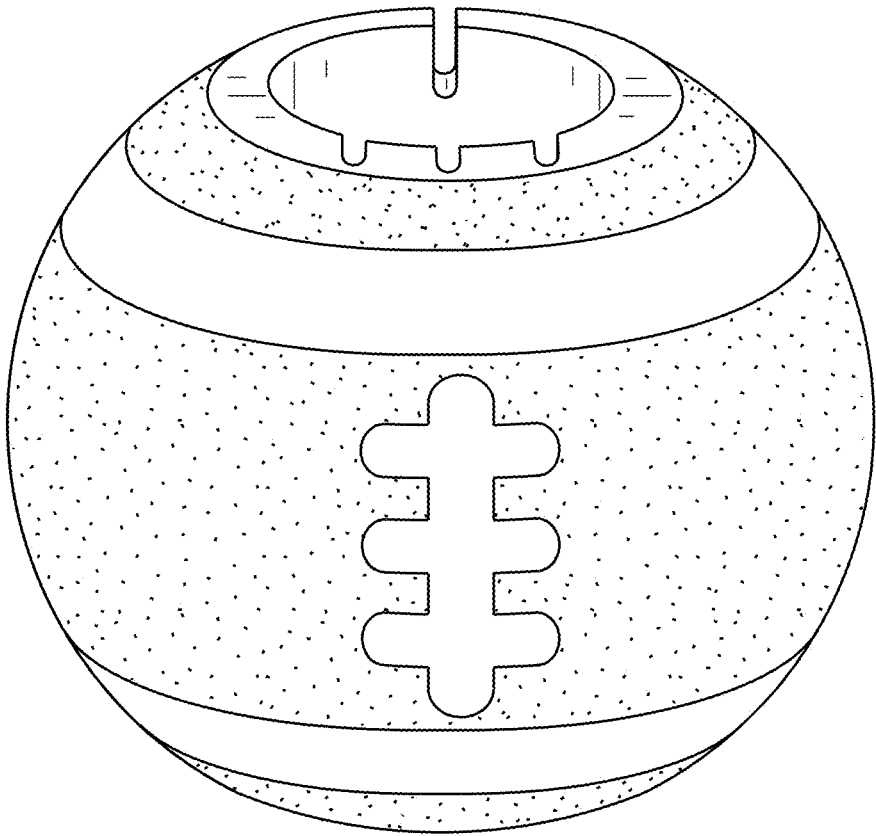


FIG. 1

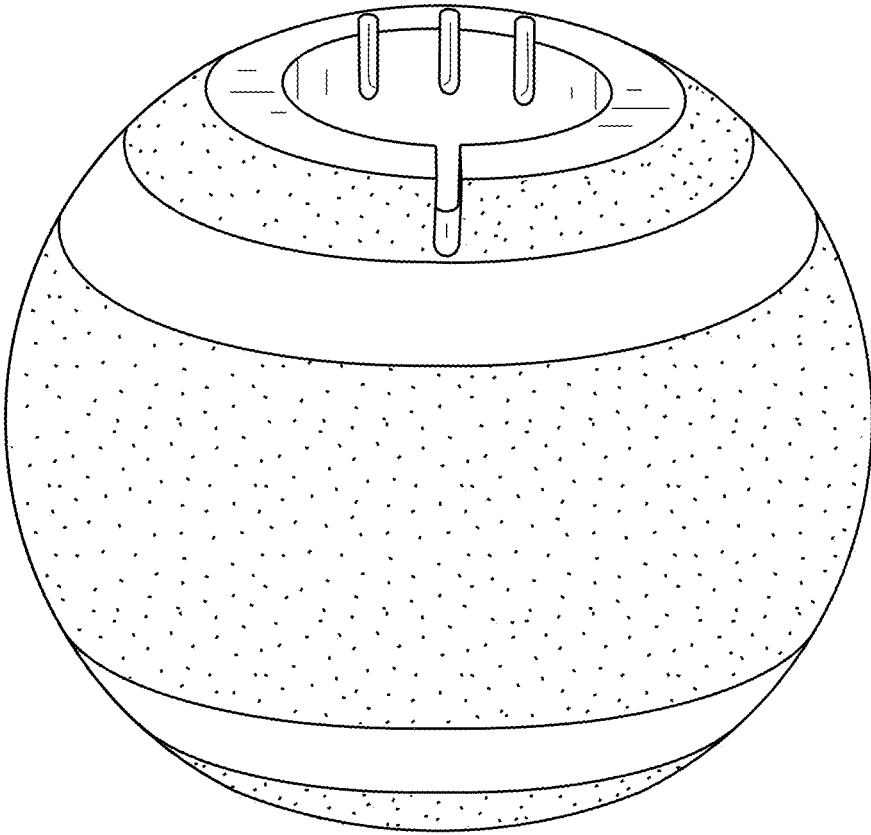


FIG. 2

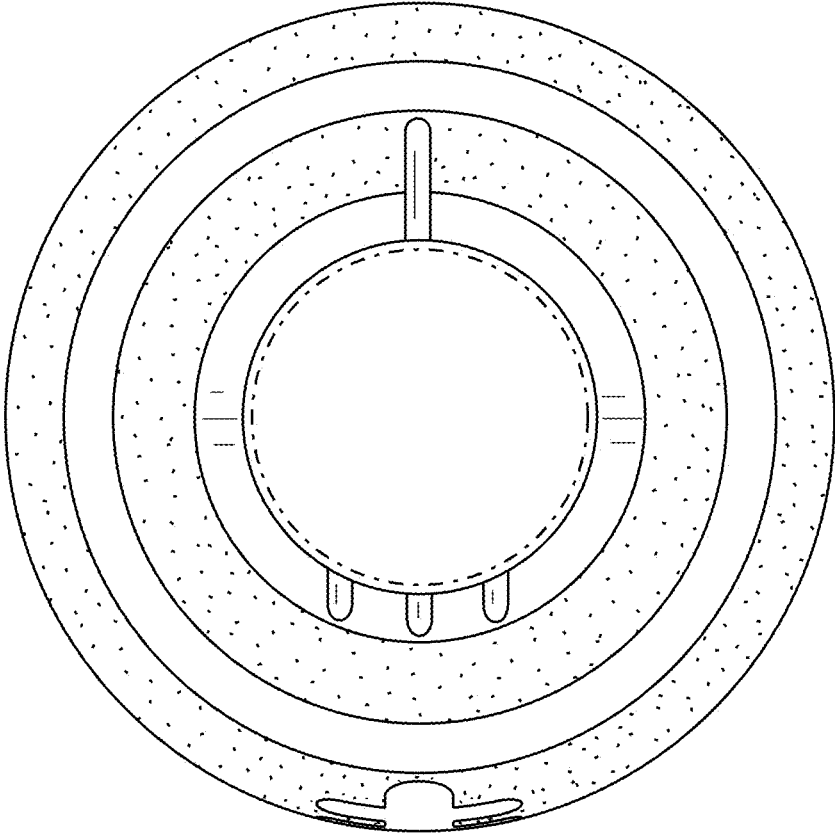


FIG. 3

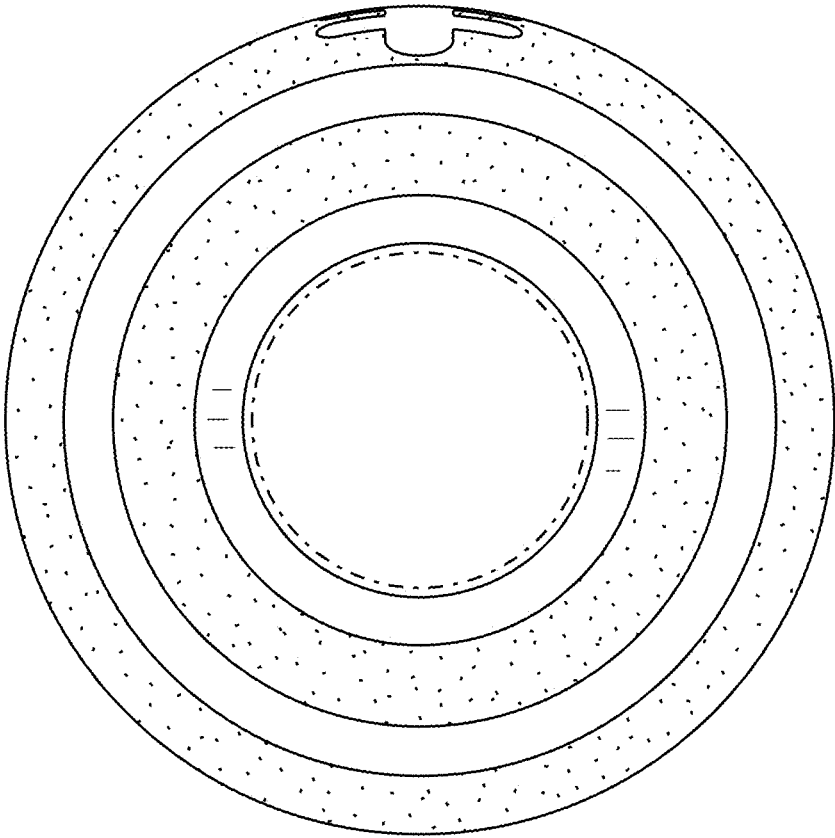


FIG. 4

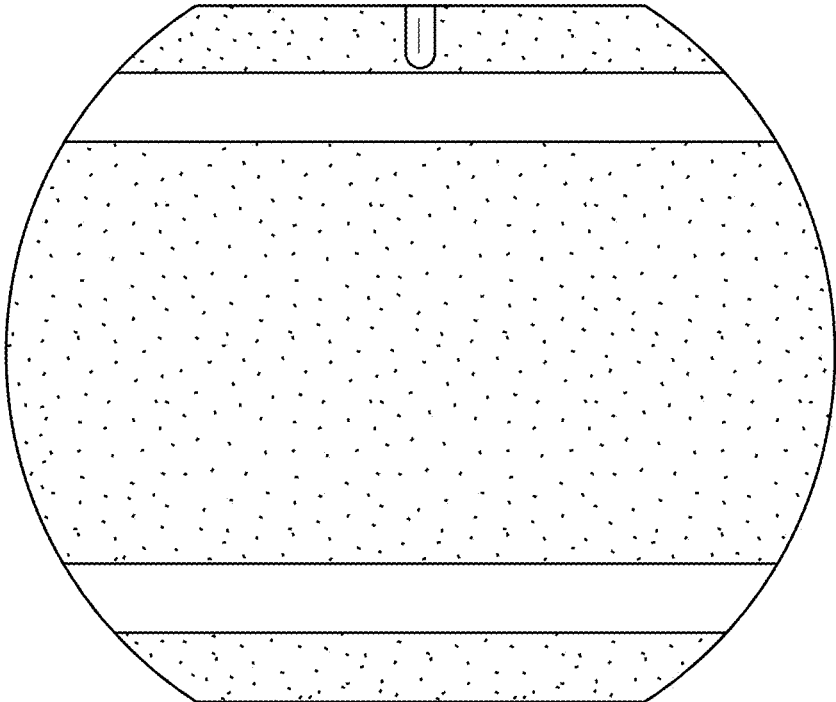


FIG. 5

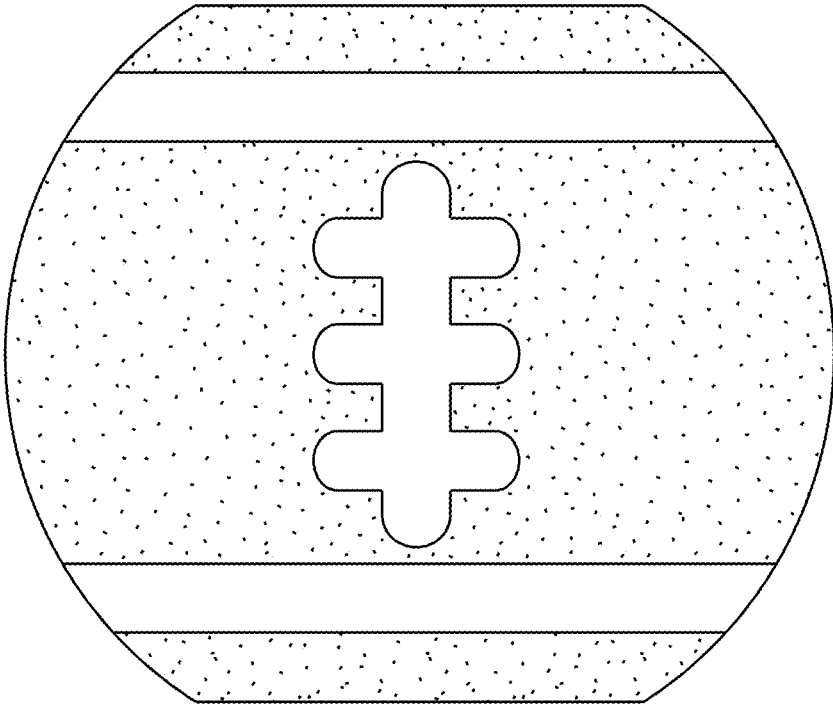


FIG. 6