

(19) World Intellectual Property Organization
International Bureau



(43) International Publication Date
20 July 2006 (20.07.2006)

PCT

(10) International Publication Number
WO 2006/076078 A3

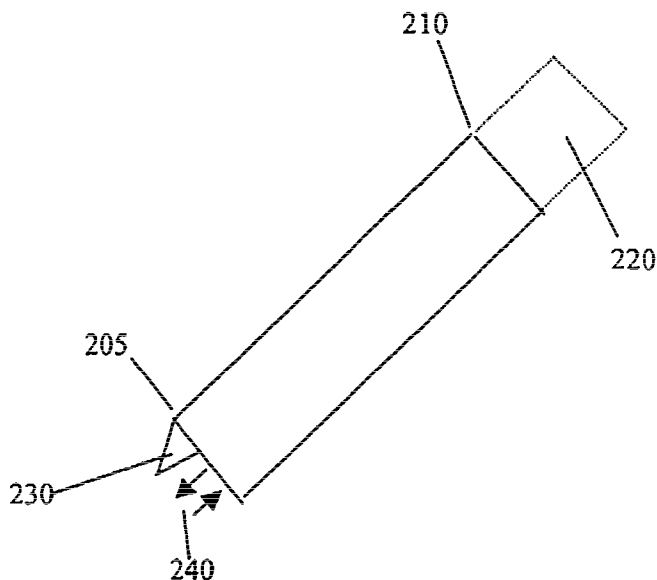
- (51) International Patent Classification:
G09G 5/00 (2006.01)
- (21) International Application Number:
PCT/US2005/041875
- (22) International Filing Date:
18 November 2005 (18.11.2005)
- (25) Filing Language: English
- (26) Publication Language: English
- (30) Priority Data:
11/034,495 12 January 2005 (12.01.2005) US
- (63) Related by continuation (CON) or continuation-in-part (CIP) to earlier application:
US 11/034,495 (CON)
Filed on 12 January 2005 (12.01.2005)
- (71) Applicant (for all designated States except US):
LEAPFROG ENTERPRISES, INC. [US/US]; 6401 Hollis Street, Suite 150, Emeryville, California 94608-1070 (US).
- (72) Inventors; and
- (75) Inventors/Applicants (for US only): **MARGGRAFF, James** [US/US]; 20 Toledo Court, Lafayette, California 94549 (US). **CHISHOLM, Alexander** [US/US]; 3615 20th Street, No. 5, San Francisco, California 94110 (US).
- (74) Agents: **GALLENSON, Mavis, S.** et al.; LADAS & PARRY LLP, 5670 Wilshire Boulevard, Suite 2100, Los Angeles, California 90036-5679 (US).
- (81) Designated States (unless otherwise indicated, for every kind of national protection available): AE, AG, AL, AM, AT, AU, AZ, BA, BB, BG, BR, BW, BY, BZ, CA, CH, CN, CO, CR, CU, CZ, DE, DK, DM, DZ, EC, EE, EG, ES, FI, GB, GD, GE, GH, GM, HR, HU, ID, IL, IN, IS, JP, KE, KG, KM, KN, KP, KR, KZ, LC, LK, LR, LS, LT, LU, LV, LY, MA, MD, MG, MK, MN, MW, MX, MZ, NA, NG, NI, NO, NZ, OM, PG, PH, PL, PT, RO, RU, SC, SD, SE, SG, SK, SL, SM, SY, TJ, TM, TN, TR, TT, TZ, UA, UG, UZ, VC, VN, YU, ZA, ZM, ZW.
- (84) Designated States (unless otherwise indicated, for every kind of regional protection available): ARIPO (BW, GH, GM, KE, LS, MW, MZ, NA, SD, SL, SZ, TZ, UG, ZM, ZW), Eurasian (AM, AZ, BY, KG, KZ, MD, RU, TJ, TM), European (AT, BE, BG, CH, CY, CZ, DE, DK, EE, ES, FI, FR, GB, GR, HU, IE, IS, IT, LT, LU, LV, MC, NL, PL, PT, RO, SE, SI, SK, TR), OAPI (BF, BJ, CF, CG, CI, CM, GA, GN, GQ, GW, ML, MR, NE, SN, TD, TG).

Published:
— with international search report

(88) Date of publication of the international search report:
22 March 2007

For two-letter codes and other abbreviations, refer to the "Guidance Notes on Codes and Abbreviations" appearing at the beginning of each regular issue of the PCT Gazette.

(54) Title: INTERACTIVE APPARATUS WITH RECORDING AND PLAYBACK CAPABILITY USABLE WITH ENCODED WRITING MEDIUM



(57) Abstract: An interactive apparatus (see figure 2) is disclosed. The interactive apparatus has an audio recording mode and an audio playback mode. Further, the interactive apparatus includes a writing tool for manually writing on an encoded writing medium, an audio input device for recording audio, an audio output device for playing the recorded audio. Moreover, the interactive apparatus has an optical unit for determining position on the encoded writing medium of the writing tool and for recognizing information on the encoded writing medium, wherein recognition of a recording-enabling graphical element on the encoded writing medium activates the audio recording mode and enables time-synchronization of creation of writing on the encoded writing medium with the writing tool and recording of the audio, and further wherein recognition of a playback-enabling graphical element on the encoded writing medium activates the audio playback mode and enables multiple techniques to control playback of the recorded audio.

WO 2006/076078 A3

INTERNATIONAL SEARCH REPORT

International application No.

PCT/US05/41875

A. CLASSIFICATION OF SUBJECT MATTER
 IPC: **G09G 05/00**

USPC: 345/173,174,179,15,157,901,169,348-357;434/169,322,219;395/339,751;178/18,19;380/23.25
 According to International Patent Classification (IPC) or to both national classification and IPC

B. FIELDS SEARCHED

Minimum documentation searched (classification system followed by classification symbols)
 U.S. : 345/173,174,179,15,157,901,169,348-357; 434/169,322,219; 395/339,751; 178/18,19; 380/23.25

Documentation searched other than minimum documentation to the extent that such documents are included in the fields searched

Electronic data base consulted during the international search (name of data base and, where practicable, search terms used)

C. DOCUMENTS CONSIDERED TO BE RELEVANT

Category *	Citation of document, with indication, where appropriate, of the relevant passages	Relevant to claim No.
Y	US 2004/0229195 A1 (Marggraff et al.) 18 Novemebr 2004 (18.11.2004) page 1, paragraph 12, page 2, paragraphs 27-32, page 3, paragraphs 32,34,37, page 4, paragraphs 45-47, page 5, paragraophs 57-61, page 6, paragraphs 63, 66-74, page 7, paragraphs 75, 83, page 8, paragraphs 83,90-100page 10, paragraph 125, claim 1-7	1-30
Y	US 5,914,707 (Kono) 22 June 1999 (22.06.1999) Col. 1, Lines 53-67, Col. 2, Lines 1-34, Col. 4, Lines 1-40, Col. 5, lines 7-51, Col. 8, Lines 17-67, Col. 7, lines 55-67, Col. 9, Line 1 to col. 10, Line 67, Col. 11, Line 1 to col. 12, Line 51	14-30
Y	US 5,596,698 (Morgan) 21 January 1997 (21.01.1997) Col. 7, Lines 25-67, Col. 8, Lines 1-35, Col. 9, Line 60 to Col. 10, Line 67, Col. 11, Lines 15-60, Col. 15, Line 60 to Col. 16, Line 25	1-11
Y	US 5,485,176 (Ohara et al.) 16 January 1996 (16.01.1996) Col. 5, Line 24 to Col. 6, Line 67, Col. 7, Lines 1-57	15-30

Further documents are listed in the continuation of Box C. See patent family annex.

* Special categories of cited documents:		
"A"	document defining the general state of the art which is not considered to be of particular relevance	"T" later document published after the international filing date or priority date and not in conflict with the application but cited to understand the principle or theory underlying the invention
"E"	earlier application or patent published on or after the international filing date	"X" document of particular relevance; the claimed invention cannot be considered novel or cannot be considered to involve an inventive step when the document is taken alone
"L"	document which may throw doubts on priority claim(s) or which is cited to establish the publication date of another citation or other special reason (as specified)	"Y" document of particular relevance; the claimed invention cannot be considered to involve an inventive step when the document is combined with one or more other such documents, such combination being obvious to a person skilled in the art
"O"	document referring to an oral disclosure, use, exhibition or other means	"&" document member of the same patent family
"P"	document published prior to the international filing date but later than the priority date claimed	

Date of the actual completion of the international search 24 September 2006 (24.09.2006)	Date of mailing of the international search report 27 NOV 2006
Name and mailing address of the ISA/US Mail Stop PCT, Attn: ISA/US Commissioner for Patents P.O. Box 1450 Alexandria, Virginia 22313-1450 Facsimile No. (571) 273-3201	Authorized officer Prabodh M. Dharia Telephone No. 571-272-7668