



Europäisches Patentamt
European Patent Office
Office européen des brevets



Publication number: **0 539 755 A3**

EUROPEAN PATENT APPLICATION

Application number: **92116871.2** Int. Cl.⁵: **H04Q 3/52**
Date of filing: **02.10.92**

Priority: **31.10.91 US 785730**

Date of publication of application:
05.05.93 Bulletin 93/18

Designated Contracting States:
DE FR GB IT

Date of deferred publication of the search report:
18.05.94 Bulletin 94/20

Applicant: **INTERNATIONAL BUSINESS MACHINES CORPORATION**
Old Orchard Road

Armonk, N.Y. 10504(US)

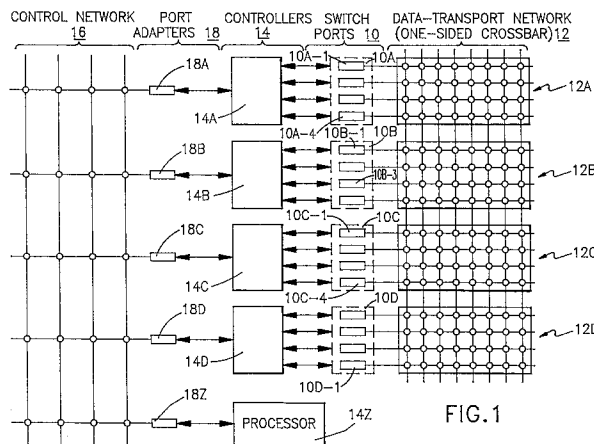
Inventor: **Franaszek, Peter A.**
Box 704
Yorktown Heights New York 10598(US)
Inventor: **Georgiou, Christos John**
14 Nosband Avenue, No. 6H
White Plains, New York 10605(US)

Representative: **Schäfer, Wolfgang, Dipl.-Ing.**
IBM Deutschland Informationssysteme GmbH,
Patentwesen und Urheberrecht
D-70548 Stuttgart (DE)

Very large scale modular switch.

Switch resources for a one-sided crosspoint switch with distributed control (i.e., switch ports, internal busses and controllers) have been organized so that modular growth is facilitated by: (1) assigning each switch port uniquely to one of the controllers; (2) making each controller handle only the crosspoints connected to the switch ports assigned to it; (3) assigning each internal bus uniquely to one of the controllers; and (4) providing a means for the controllers to communicate with each other. Modular growth of any of the switch resources (i.e., switch

ports, internal busses and/or controllers) is accommodated by effectively reallocating (i.e., modifying the assignment of) some or all of the resources. Failure of a switch resource is accommodated also by effectively reallocating (i.e., modifying the assignment of) some or all of the remaining usable resources. It is contemplated that modification of resource allocation can be done in various alternative ways, either physically or electronically, including automatically and even dynamically.



EP 0 539 755 A3



DOCUMENTS CONSIDERED TO BE RELEVANT			
Category	Citation of document with indication, where appropriate, of relevant passages	Relevant to claim	CLASSIFICATION OF THE APPLICATION (Int.Cl.5)
X	US-A-3 974 343 (CHENEY ET AL) * abstract * * column 2, line 62 - column 3, line 3 * * column 4, line 28 - line 33 * * column 8, line 17 - line 28 * * column 25, line 15 - line 33; figures 1-4,12 *	1-15	H04Q3/52
A,D	EP-A-0 425 807 (IBM) * the whole document *	1-15	
			TECHNICAL FIELDS SEARCHED (Int.Cl.5)
			H04Q
The present search report has been drawn up for all claims			
Place of search		Date of completion of the search	Examiner
THE HAGUE		18 March 1994	O'Reilly, D
CATEGORY OF CITED DOCUMENTS			
X : particularly relevant if taken alone Y : particularly relevant if combined with another document of the same category A : technological background O : non-written disclosure P : intermediate document		T : theory or principle underlying the invention E : earlier patent document, but published on, or after the filing date D : document cited in the application L : document cited for other reasons & : member of the same patent family, corresponding document	