



(11) **EP 1 936 811 A3**

(12) **EUROPEAN PATENT APPLICATION**

(88) Date of publication A3:
14.07.2010 Bulletin 2010/28

(51) Int Cl.:
H03M 3/00 (2006.01) H03M 7/00 (2006.01)

(43) Date of publication A2:
25.06.2008 Bulletin 2008/26

(21) Application number: **07024807.5**

(22) Date of filing: **20.12.2007**

(84) Designated Contracting States:
AT BE BG CH CY CZ DE DK EE ES FI FR GB GR HU IE IS IT LI LT LU LV MC MT NL PL PT RO SE SI SK TR
Designated Extension States:
AL BA HR MK RS

- **Hernandez, Luis**
28039 Madrid (ES)
- **Paton, Susana**
28039 Madrid (ES)
- **San Segundo Bello, David**
A-9500 Villach (AT)
- **Sanchez-Renedo, Manuel**
E-28034 Madrid (ES)
- **Wiesbauer, Andreas**
9210 Poertschach (AT)

(30) Priority: **22.12.2006 US 644448**

(71) Applicant: **Wi-LAN Inc.**
Ottawa, ON K1Y 4S1 (CA)

(74) Representative: **Banzer, Hans-Jörg et al**
Kraus & Weisert
Patent- und Rechtsanwälte
Thomas-Wimmer-Ring 15
80539 München (DE)

(72) Inventors:
• **Di Giandomenico, Antonio**
9220 Velden am Woerthersee (AT)

(54) **Sigma-delta modulators**

(57) Sigma-delta modulators and a method of modulating are disclosed in which a first sigma-delta modulator having a first quantizer is provided, and a second quantizer is also provided. At least a first node of the first

sigma-delta modulator upstream of the first quantizer and a second node of the first sigma-delta modulator upstream of the first quantizer to the second quantizer are coupled together.

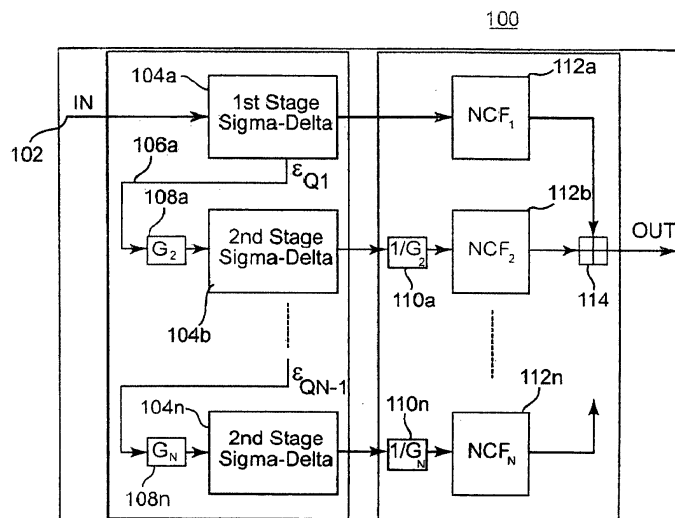


Fig. 1

EP 1 936 811 A3



EUROPEAN SEARCH REPORT

Application Number
EP 07 02 4807

DOCUMENTS CONSIDERED TO BE RELEVANT			
Category	Citation of document with indication, where appropriate, of relevant passages	Relevant to claim	CLASSIFICATION OF THE APPLICATION (IPC)
X	SUSANA PATON ET AL: "Design of Cascaded Continuous-Time Sigma-Delta Modulators" ELECTRONICS, CIRCUITS AND SYSTEMS, 2006. ICECS '06. 13TH IEEE INTERNATIONAL CONFERENCE ON, IEEE, PI, 1 December 2006 (2006-12-01), pages 50-53, XP031111424 ISBN: 978-1-4244-0394-3	1-20,37	INV. H03M3/00 H03M7/00
Y	* abstract; figure 1 * * page 51, paragraph A * * page 50, paragraph 2 * * page 53, left-hand column * -----	32	
X	MANUEL SANCHEZ-RENEO ET AL: "A 2-2 Discrete Time Cascaded Modulator With NTF Zero Using Interstage Feedback" ELECTRONICS, CIRCUITS AND SYSTEMS, 2006. ICECS '06. 13TH IEEE INTERNATIONAL CONFERENCE ON, IEEE, PI, 1 December 2006 (2006-12-01), pages 954-957, XP031111649 ISBN: 978-1-4244-0394-3	21-31, 33-36,38	TECHNICAL FIELDS SEARCHED (IPC) H03M
Y	* abstract; figure 2 * * paragraph [0003] - paragraph [0004] * -----	32	
The present search report has been drawn up for all claims			
Place of search The Hague		Date of completion of the search 7 June 2010	Examiner Galardi, Leonardo
CATEGORY OF CITED DOCUMENTS X : particularly relevant if taken alone Y : particularly relevant if combined with another document of the same category A : technological background O : non-written disclosure P : intermediate document		T : theory or principle underlying the invention E : earlier patent document, but published on, or after the filing date D : document cited in the application L : document cited for other reasons & : member of the same patent family, corresponding document	

2
EPO FORM 1503 03.02 (P04C01)