

(12) INTERNATIONAL APPLICATION PUBLISHED UNDER THE PATENT COOPERATION TREATY (PCT)

(19) World Intellectual Property Organization
International Bureau



(43) International Publication Date
3 January 2003 (03.01.2003)

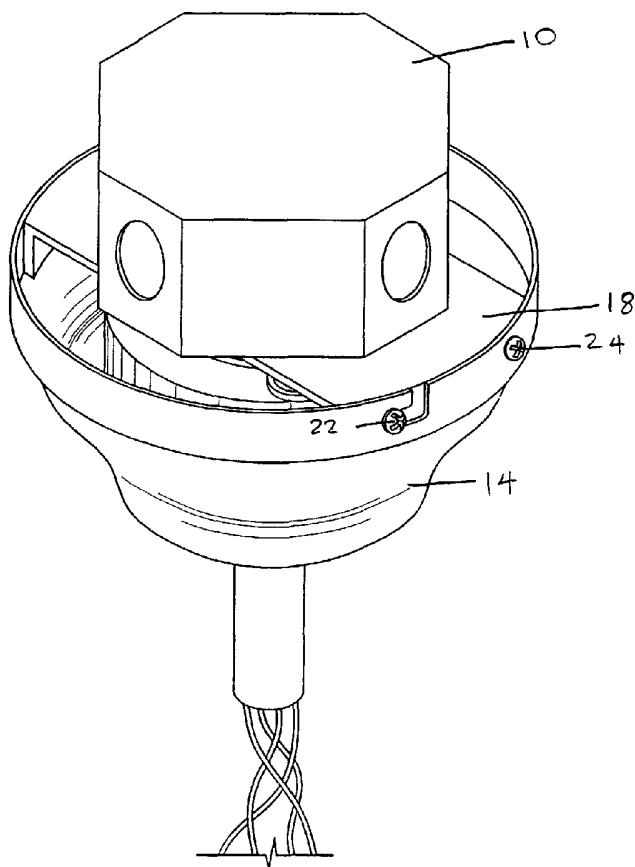
PCT

(10) International Publication Number
WO 03/001629 A3

- (51) International Patent Classification⁷: H01R 13/625
- (21) International Application Number: PCT/US02/19460
- (22) International Filing Date: 19 June 2002 (19.06.2002)
- (25) Filing Language: English
- (26) Publication Language: English
- (30) Priority Data:
60/299,635 20 June 2001 (20.06.2001) US
- (71) Applicant: ANGELO FAN BRACE LICENSING, LLC
[US/US]; 12401 McNulty Road, Philadelphia, PA 19154-3297 (US).
- (72) Inventor: KERR, Jack, Russell, Jr.; 5253 Enchanted Oaks Drive, College Station, TX 77845 (US).
- (74) Agent: SCHOTT, Stephen, B.; Drinker Biddle & Reath LLP, One Logan Square, 18th and Cherry Streets, Philadelphia, PA 19103-6996 (US).
- (81) Designated States (*national*): AE, AG, AL, AM, AT, AU, AZ, BA, BB, BG, BR, BY, BZ, CA, CH, CN, CO, CR, CU, CZ, DE, DK, DM, DZ, EC, EE, ES, FI, GB, GD, GE, GH, GM, HR, HU, ID, IL, IN, IS, JP, KE, KG, KP, KR, KZ, LC, LK, LR, LS, LT, LU, LV, MA, MD, MG, MK, MN, MW, MX, MZ, NO, NZ, OM, PH, PL, PT, RO, RU, SD, SE, SG, SI, SK, SL, TJ, TM, TN, TR, TT, TZ, UA, UG, UZ, VN, YU, ZA, ZM, ZW.
- (84) Designated States (*regional*): ARIPO patent (GH, GM, KE, LS, MW, MZ, SD, SL, SZ, TZ, UG, ZM, ZW), Eurasian patent (AM, AZ, BY, KG, KZ, MD, RU, TJ, TM), European patent (AT, BE, CH, CY, DE, DK, ES, FI, FR, GB, GR, IE, IT, LU, MC, NL, PT, SE, TR), OAPI patent (BF, BJ, CF, CG, CI, CM, GA, GN, GQ, GW, ML, MR, NE, SN, TD, TG).

[Continued on next page]

(54) Title: QUICK CONNECT DEVICE WITH EASY INSTALLATION FEATURES INCLUDING A PLUG AND SPRING



(57) Abstract: An apparatus for easily installing an overhead electrical device is disclosed. Installation is made easier by forming guide channels (23) in the bell (14) of an electrical fixture and aligning those channels with guides (22) on a plate (18). When the guide and channels are properly aligned, an electrical connection is made between a plug (44) and receptacle (48). The plug and receptacle are mounted in the bell and to the junction box (10). Once the electrical connection is made, the cell is rotated to secure the bell to the guides mounted on the plate.



WO 03/001629 A3



Published:

— *with international search report*

For two-letter codes and other abbreviations, refer to the "Guidance Notes on Codes and Abbreviations" appearing at the beginning of each regular issue of the PCT Gazette.

(88) Date of publication of the international search report:

20 February 2003

INTERNATIONAL SEARCH REPORT

International application No.

PCT/US02/19460

A. CLASSIFICATION OF SUBJECT MATTER

IPC(7) :H01R 13/625

US CL :439/334

According to International Patent Classification (IPC) or to both national classification and IPC

B. FIELDS SEARCHED

Minimum documentation searched (classification system followed by classification symbols)

U.S. : 439/334, 334, 314, 333, 335, 537

Documentation searched other than minimum documentation to the extent that such documents are included in the fields searched
NONE

Electronic data base consulted during the international search (name of data base and, where practicable, search terms used)

NONE

C. DOCUMENTS CONSIDERED TO BE RELEVANT

Category*	Citation of document, with indication, where appropriate, of the relevant passages	Relevant to claim No.
A	US 6,146,191 A (KERR, JR. et al) 14 November 2000 (14.11.2000), see entire document.	1-20
A	US 4,637,673 A (YANG) 20 January 1987 (20.01.1987), see entire document.	1-20

 Further documents are listed in the continuation of Box C. See patent family annex.

* Special categories of cited documents:	"I"	later document published after the international filing date or priority date and not in conflict with the application but cited to understand the principle or theory underlying the invention
"A" document defining the general state of the art which is not considered to be of particular relevance	"X"	document of particular relevance; the claimed invention cannot be considered novel or cannot be considered to involve an inventive step when the document is taken alone
"E" earlier document published on or after the international filing date	"Y"	document of particular relevance; the claimed invention cannot be considered to involve an inventive step when the document is combined with one or more other such documents, such combination being obvious to a person skilled in the art
"L" document which may throw doubts on priority claim(s) or which is cited to establish the publication date of another citation or other special reason (as specified)	"&"	document member of the same patent family
"O" document referring to an oral disclosure, use, exhibition or other means		
"P" document published prior to the international filing date but later than the priority date claimed		

Date of the actual completion of the international search

04 OCTOBER 2002

Date of mailing of the international search report

03 DEC 2002

Name and mailing address of the ISA/US
Commissioner of Patents and Trademarks
Box PCT
Washington, D.C. 20231

Facsimile No. (703) 805-3230

Authorized officer

NEIL ABRAMS

Telephone No. (703) 808-1729

