

(19) World Intellectual Property Organization
International Bureau



(43) International Publication Date
20 July 2006 (20.07.2006)

PCT

(10) International Publication Number
WO 2006/076253 A3

- (51) International Patent Classification:
H01L 21/306 (2006.01)
- (21) International Application Number:
PCT/US2006/000591
- (22) International Filing Date: 10 January 2006 (10.01.2006)
- (25) Filing Language: English
- (26) Publication Language: English
- (30) Priority Data:
11/032,101 11 January 2005 (11.01.2005) US
- (71) Applicant (for all designated States except US): TOKYO ELECTRON, LTD. [JP/JP]; 306, Akasaka 5-chome, Tokyo, 107-8481 (JP).

AT, AU, AZ, BA, BB, BG, BR, BW, BY, BZ, CA, CH, CN, CO, CR, CU, CZ, DE, DK, DM, DZ, EC, EE, EG, ES, FI, GB, GD, GE, GH, GM, HR, HU, ID, IL, IN, IS, JP, KE, KG, KM, KN, KP, KR, KZ, LC, LK, LR, LS, LT, LU, LV, LY, MA, MD, MG, MK, MN, MW, MX, MZ, NA, NG, NI, NO, NZ, OM, PG, PH, PL, PT, RO, RU, SC, SD, SE, SG, SK, SL, SM, SY, TJ, TM, TN, TR, TT, TZ, UA, UG, US, UZ, VC, VN, YU, ZA, ZM, ZW.

- (72) Inventor; and
- (75) Inventor/Applicant (for US only): FINK, Steven [—/US]; 4609 E. Gable Circle, Mesa, Arizona 85206 (US).

(84) Designated States (unless otherwise indicated, for every kind of regional protection available): ARIPO (BW, GH, GM, KE, LS, MW, MZ, NA, SD, SL, SZ, TZ, UG, ZM, ZW), Eurasian (AM, AZ, BY, KG, KZ, MD, RU, TJ, TM), European (AT, BE, BG, CH, CY, CZ, DE, DK, EE, ES, FI, FR, GB, GR, HU, IE, IS, IT, LT, LU, LV, MC, NL, PL, PT, RO, SE, SI, SK, TR), OAPI (BF, BJ, CF, CG, CI, CM, GA, GN, GQ, GW, ML, MR, NE, SN, TD, TG).

Published:
— with international search report
— before the expiration of the time limit for amending the claims and to be republished in the event of receipt of amendments

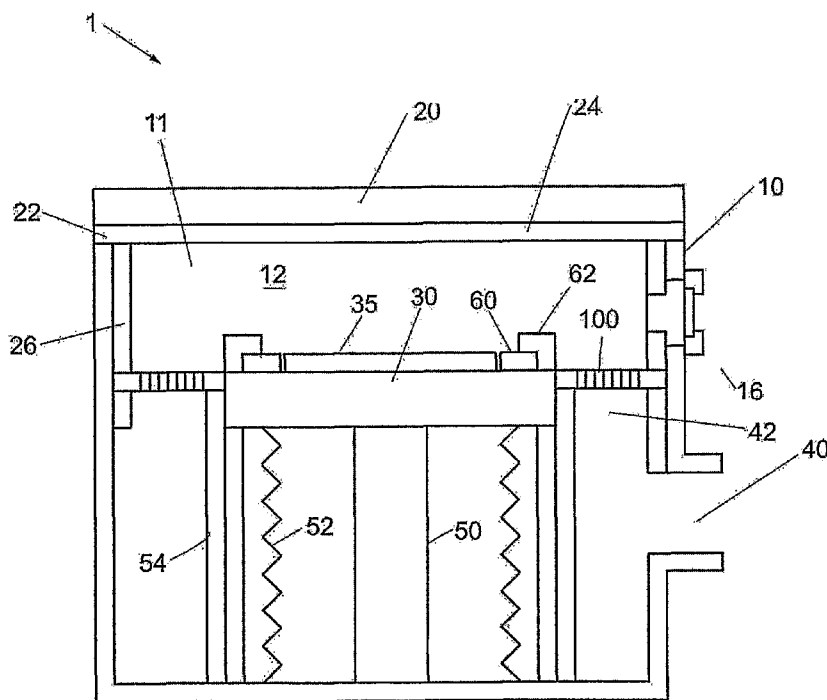
- (74) Agent: LAZAR, Dale, S.; DLA PIPER RUDNICK GRAY CARY US LLP, 1775 Wiehle Avenue, Suite 400, Reston, Virginia 20190 (US).

(88) Date of publication of the international search report:
15 November 2007

- (81) Designated States (unless otherwise indicated, for every kind of national protection available): AE, AG, AL, AM,

For two-letter codes and other abbreviations, refer to the "Guidance Notes on Codes and Abbreviations" appearing at the beginning of each regular issue of the PCT Gazette.

(54) Title: PLASMA PROCESSING SYSTEM AND BAFFLE ASSEMBLY FOR USE IN PLASMA PROCESSING SYSTEM



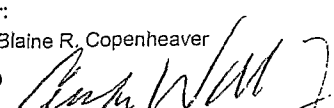
(57) Abstract: The present invention presents a baffle assembly located in a plasma processing system, comprising a baffle carrier attached to the plasma processing system, and at least two baffle inserts having a plurality of passages therethrough, the at least two baffle inserts being supported by the baffle carrier.

WO 2006/076253 A3

INTERNATIONAL SEARCH REPORT

International application No.

PCT/US06/00591

A. CLASSIFICATION OF SUBJECT MATTER IPC(8) - H01L 21/306 (2007.01) USPC - 156/345.35 According to International Patent Classification (IPC) or to both national classification and IPC		
B. FIELDS SEARCHED Minimum documentation searched (classification system followed by classification symbols) IPC(8) - H01L 21/306 (2007.01) USPC - 156/345.35, 345.34 Documentation searched other than minimum documentation to the extent that such documents are included in the fields searched Electronic data base consulted during the international search (name of data base and, where practicable, search terms used) MicroPatent, IP.com, DialogPro		
C. DOCUMENTS CONSIDERED TO BE RELEVANT		
Category*	Citation of document, with indication, where appropriate, of the relevant passages	Relevant to claim No.
Y	US 2002/0144785 A1 (SRIVASTAVA et al) 10 October 2002 (10.02.2002) entire document	1-27
Y	US 2003/0019579 A1 (AHN) 30 January 2003 (20.01.2003) entire document	1-27
Y	US 6,627,901 B2 (MARTINEZ) 30 September 2003 (30.09.2003) entire document	1-27
A	US 6,537,419 B1 (KINNARD) 25 March 2003 (25.03.2003) entire document	1-27
A	US 6,837,966 B2 (NISHIMOTO et al) 04 January 2005 (04.01.2005) entire document	1-27
A	US 2003/0092278 A1 (FINK) 15 March 2003 (15.03.2003) entire document	1-27
<input type="checkbox"/> Further documents are listed in the continuation of Box C. <input type="checkbox"/>		
* Special categories of cited documents: "A" document defining the general state of the art which is not considered to be of particular relevance "E" earlier application or patent but published on or after the international filing date "L" document which may throw doubts on priority claim(s) or which is cited to establish the publication date of another citation or other special reason (as specified) "O" document referring to an oral disclosure, use, exhibition or other means "P" document published prior to the international filing date but later than the priority date claimed "T" later document published after the international filing date or priority date and not in conflict with the application but cited to understand the principle or theory underlying the invention "X" document of particular relevance: the claimed invention cannot be considered novel or cannot be considered to involve an inventive step when the document is taken alone "Y" document of particular relevance: the claimed invention cannot be considered to involve an inventive step when the document is combined with one or more other such documents, such combination being obvious to a person skilled in the art "&" document member of the same patent family		
Date of the actual completion of the international search 10 July 2007		Date of mailing of the international search report 21 SEP 2007
Name and mailing address of the ISA/US Mail Stop PCT, Attn: ISA/US, Commissioner for Patents P.O. Box 1450, Alexandria, Virginia 22313-1450 Facsimile No. 571-273-3201		Authorized officer: Blaine R. Copenheaver  PCT Helpdesk: 571-272-4300 PCT OSP: 571-272-7774