



US 20170131488A1

(19) **United States**

(12) **Patent Application Publication**  
Yu et al.

(10) **Pub. No.: US 2017/0131488 A1**

(43) **Pub. Date: May 11, 2017**

(54) **OPTICAL CONNECTOR FOR DATA  
TRANSCEIVER MODULES AND LENS  
BLOCK FOR OPTICAL CONNECTORS**

(52) **U.S. Cl.**  
CPC ..... *G02B 6/4206* (2013.01); *G02B 6/3885*  
(2013.01); *G02B 6/4249* (2013.01); *G02B*  
*6/4246* (2013.01); *G02B 6/4292* (2013.01);  
*G02B 6/32* (2013.01); *G02B 6/4286*  
(2013.01); *G02B 6/4281* (2013.01); *G02B*  
*6/4214* (2013.01)

(71) Applicant: **SAE Magnetics (H.K.) Ltd.**, Hong Kong (HK)

(72) Inventors: **Xiaoming Yu**, Hong Kong (HK);  
**Vincent Wai Hung**, Hong Kong (HK);  
**Margarito P. Banal, JR.**, Hong Kong (HK);  
**Yuk Nga Chen**, Hong Kong (HK)

(57) **ABSTRACT**

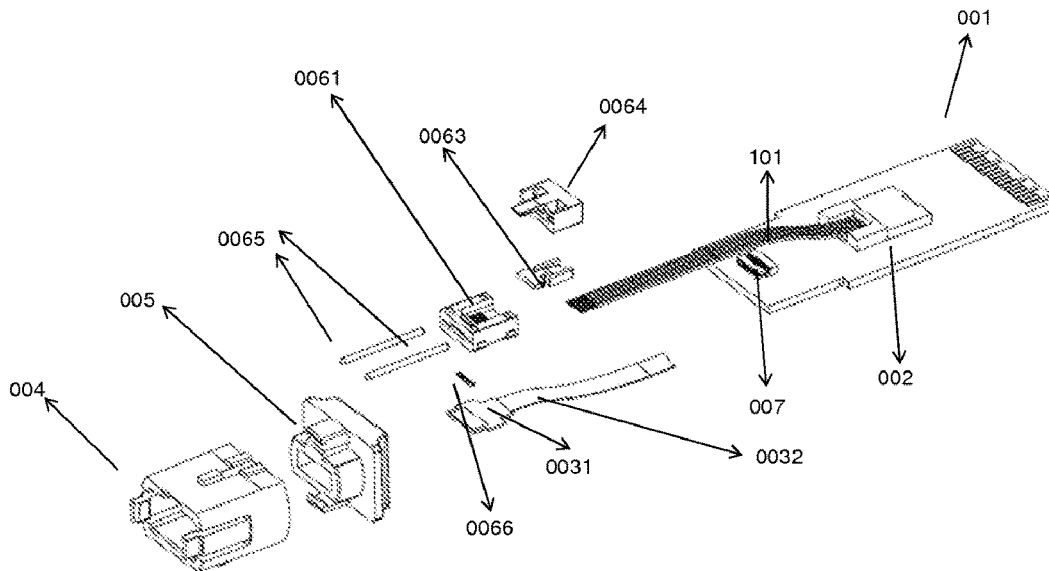
An optical connector includes a lens block mounted in a MPO housing and optically coupled between an optical light guide and an external coupling light guide. A first lens formed on a first surface of the lens block to totally reflect and collimate light emitting from the optical light guide to a second surface. The second surface is coated with a partial transmission coating on a transmitter side and a total reflective coating on a receiver side. A second lens formed on a third or fourth surface on the lens block for focusing light from the second surface onto the external coupling light guide.

(21) Appl. No.: **14/932,997**

(22) Filed: **Nov. 5, 2015**

**Publication Classification**

(51) **Int. Cl.**  
*G02B 6/42* (2006.01)  
*G02B 6/32* (2006.01)  
*G02B 6/38* (2006.01)



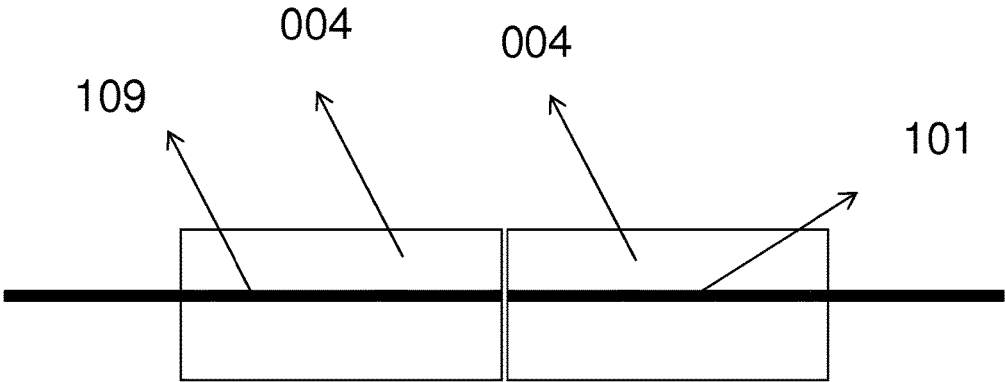


Fig. 1 (Prior Art)

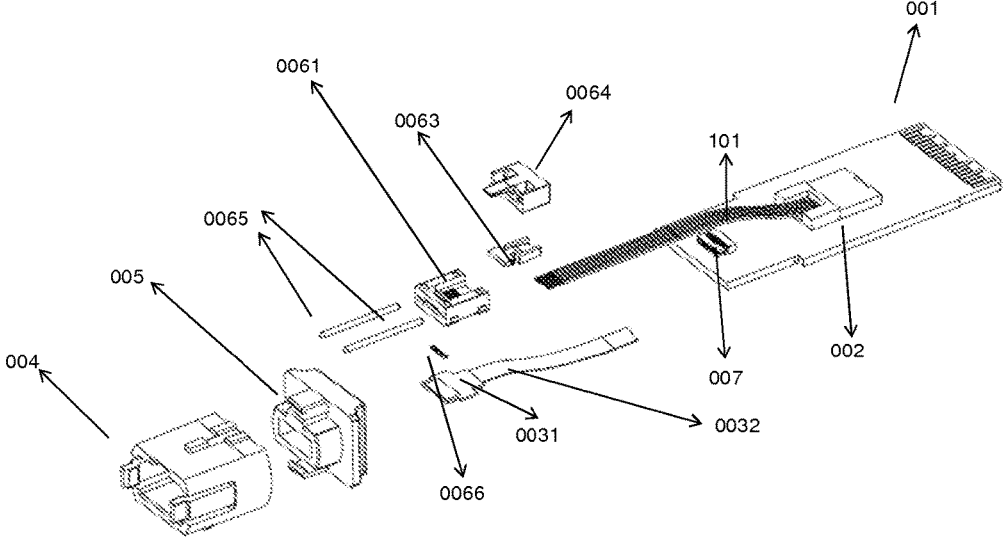


Fig. 2

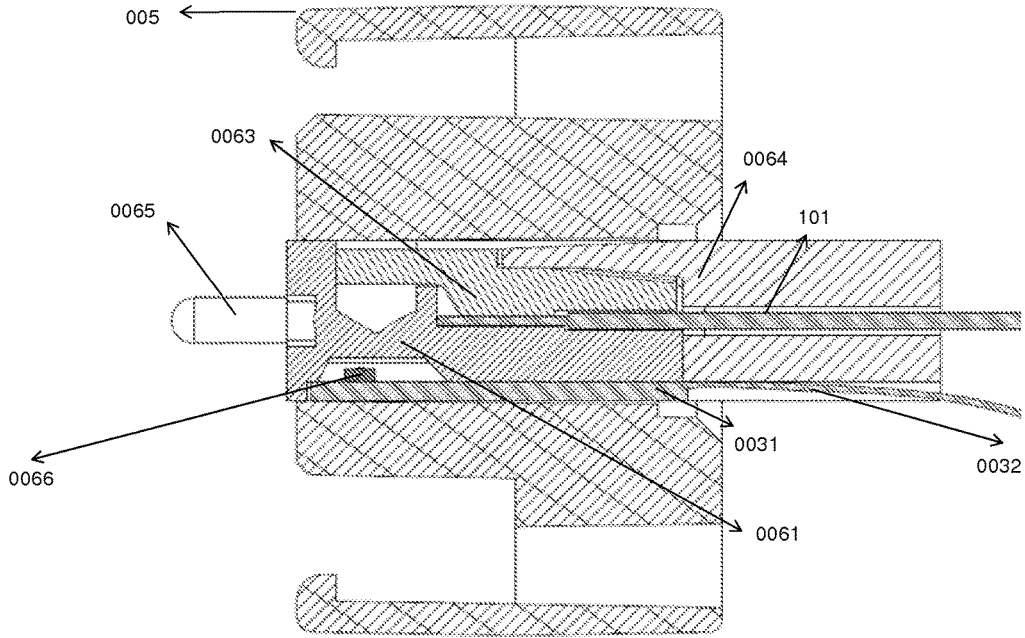


Fig. 3(a)

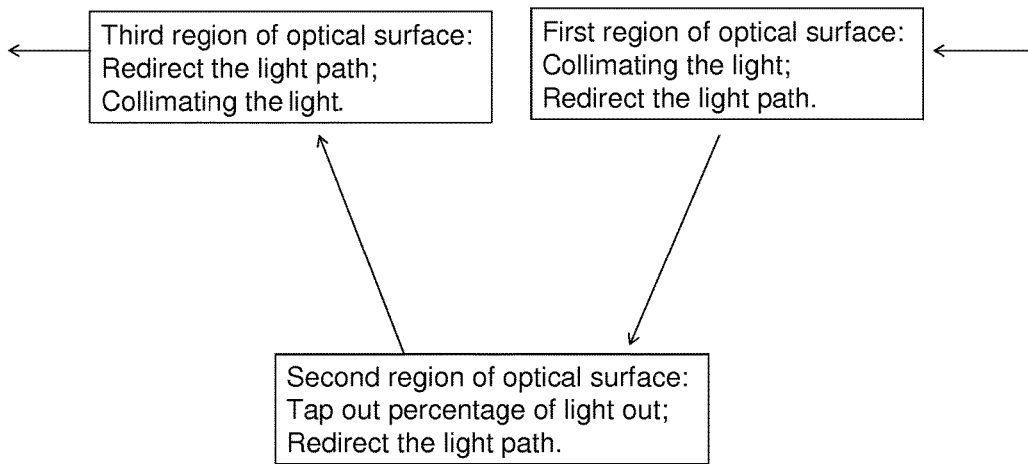


Fig. 3(b)

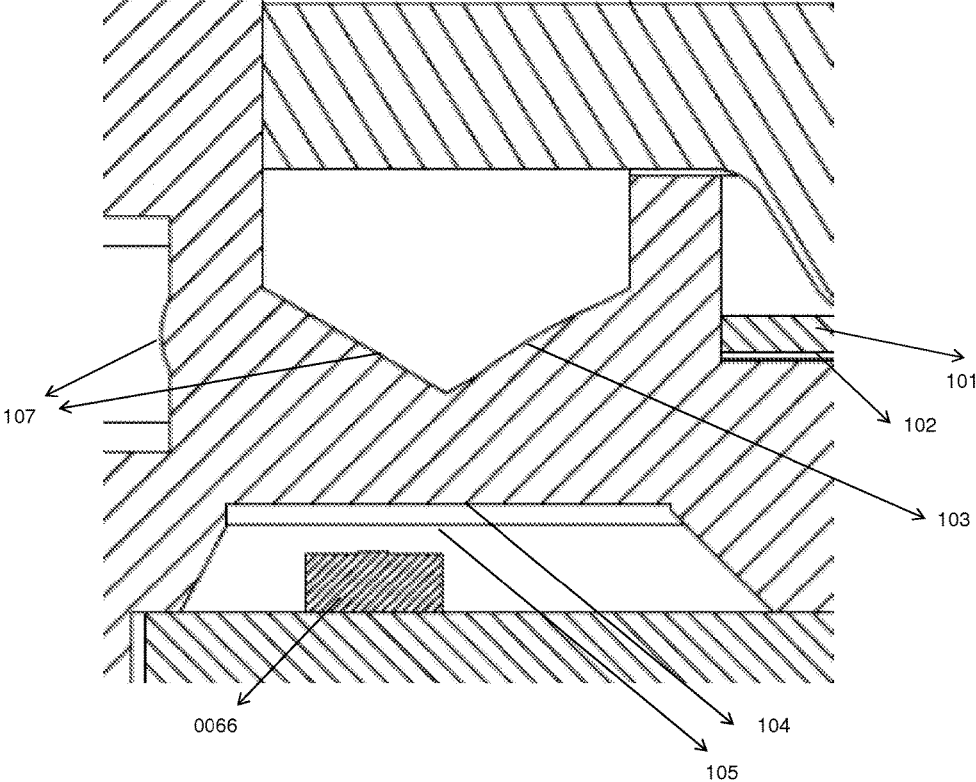


Fig. 3(c)

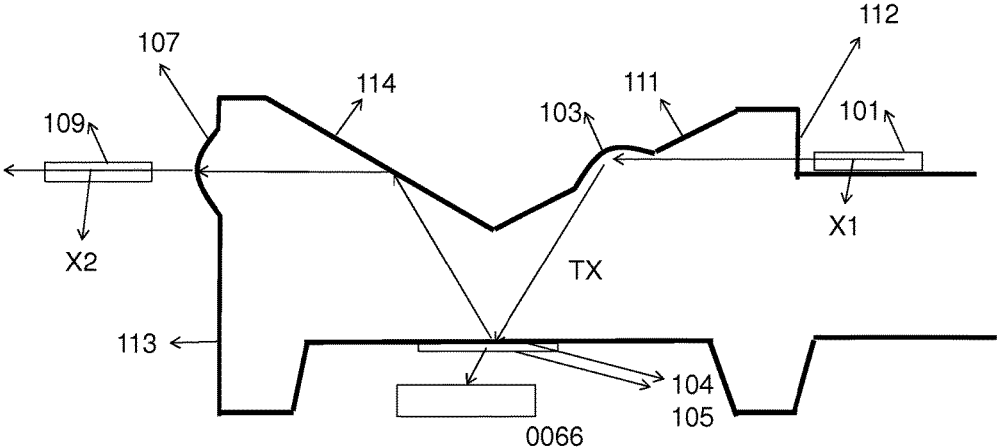


Fig. 3(d)

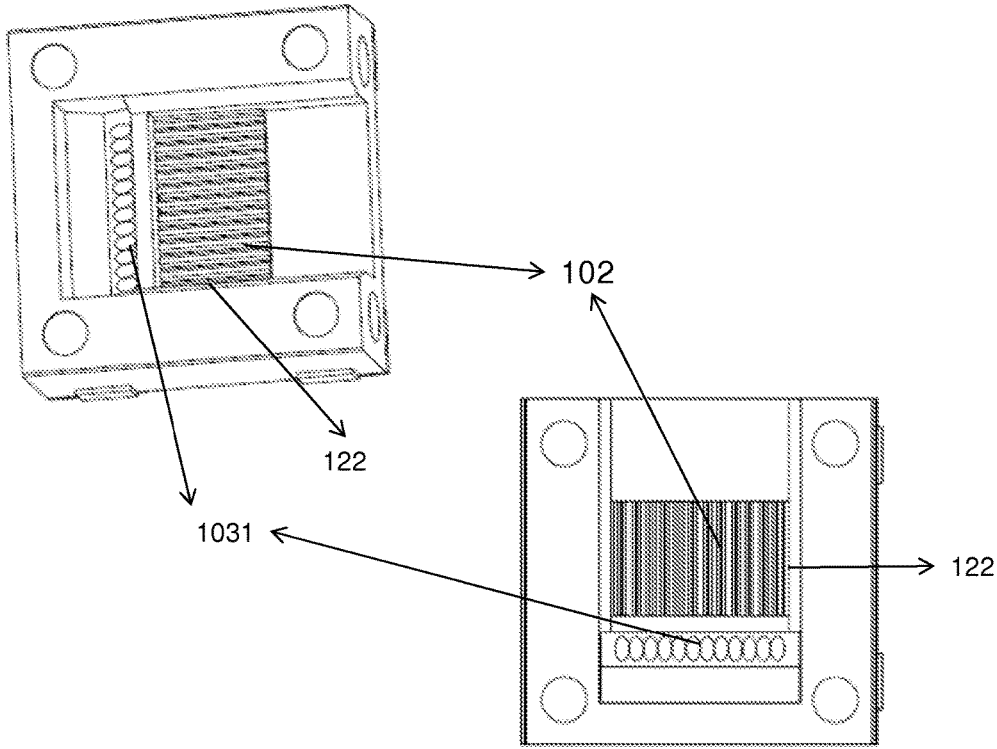


Fig. 4(a)

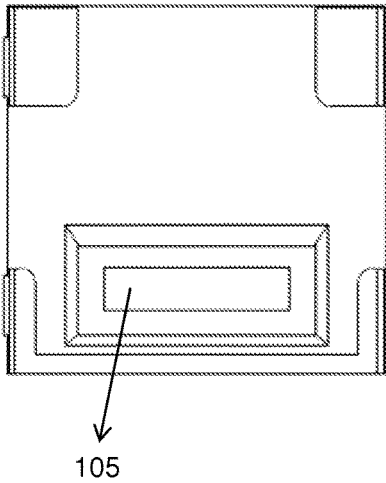


Fig. 4(b)

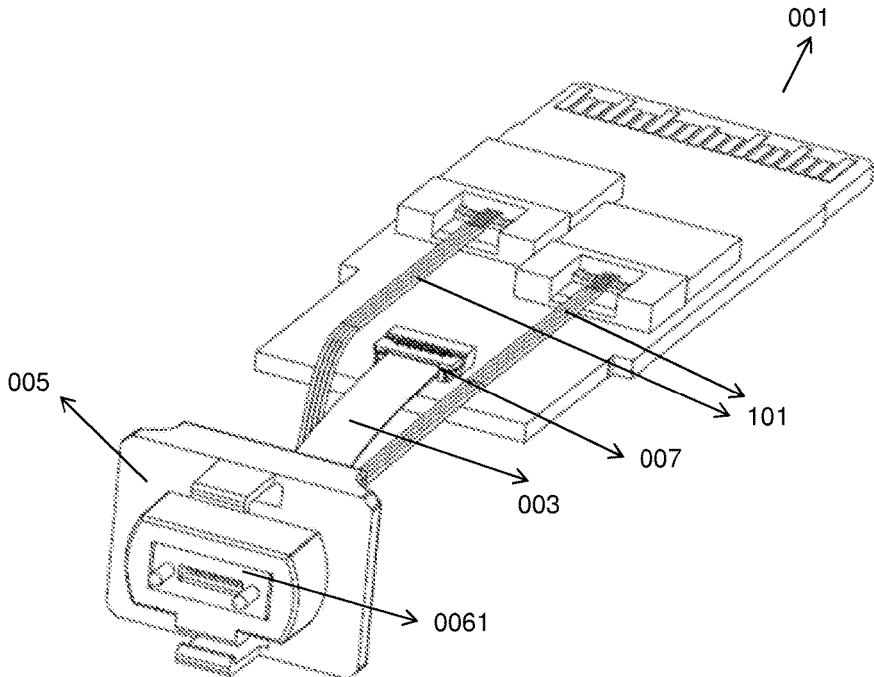
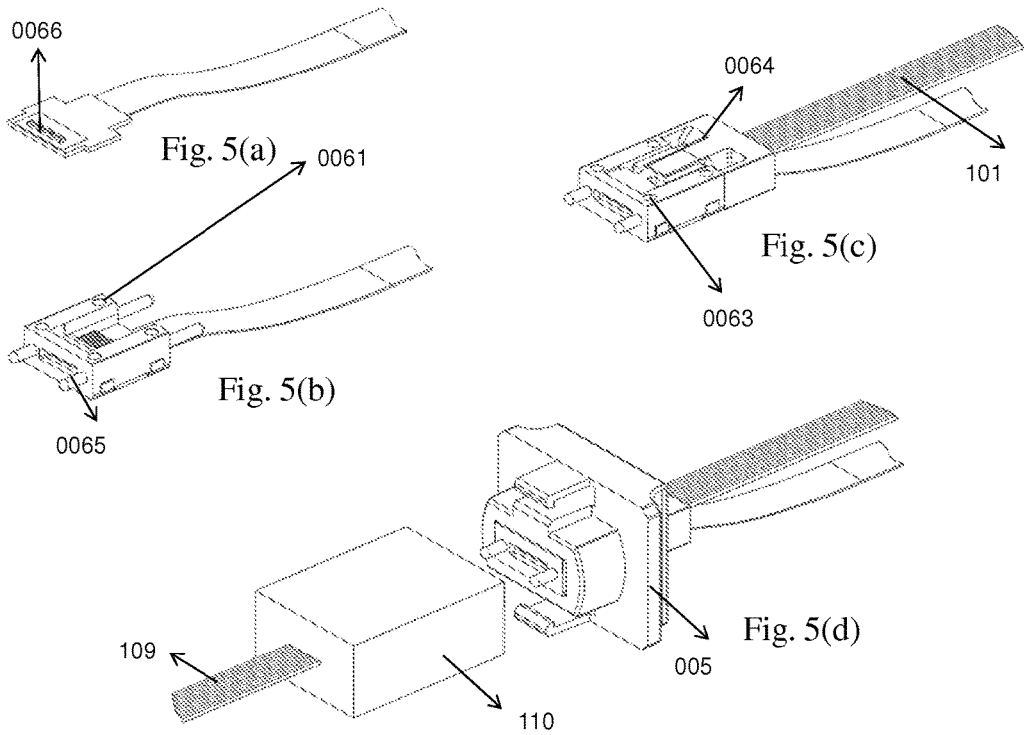


Fig. 6(a)

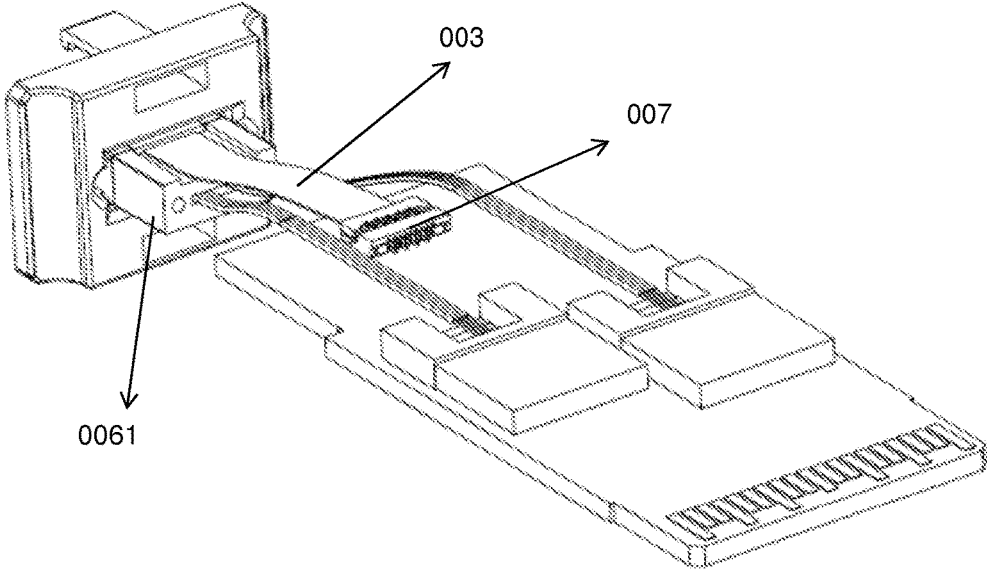


Fig. 6(b)

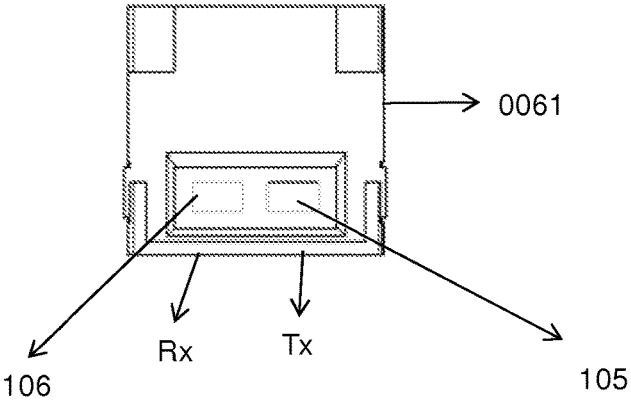


Fig. 7

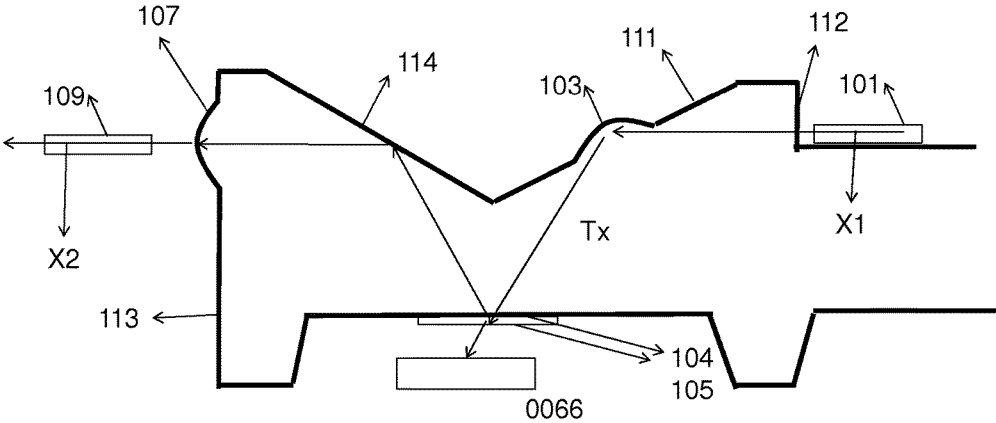


Fig. 8(a)

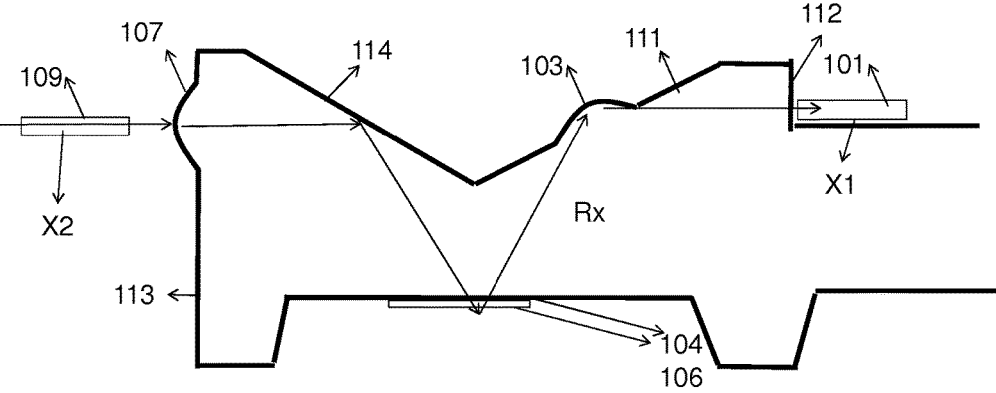


Fig. 8(b)



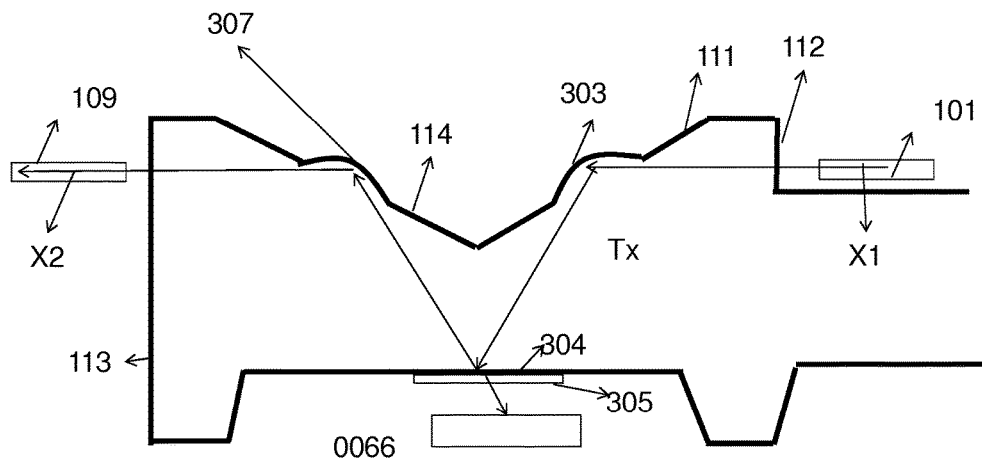


Fig. 9(a)

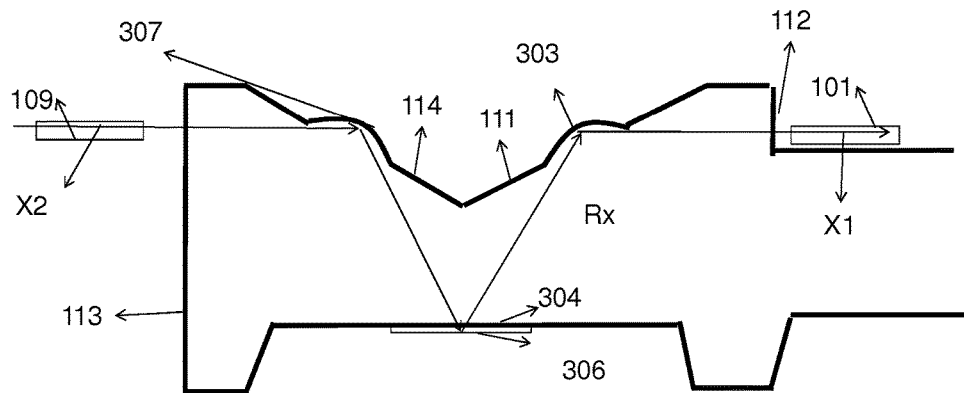


Fig. 9(b)

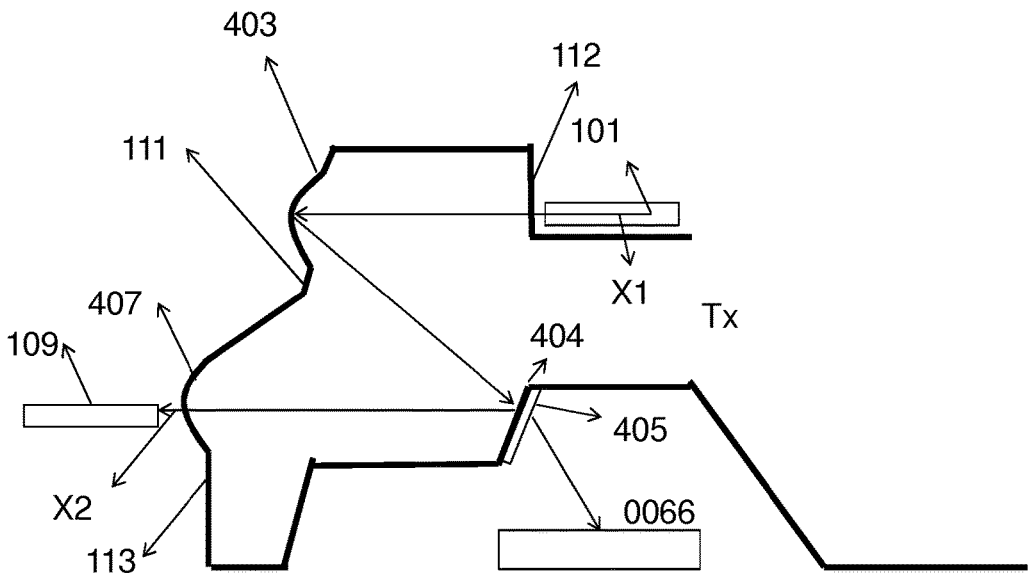


Fig. 10(a)

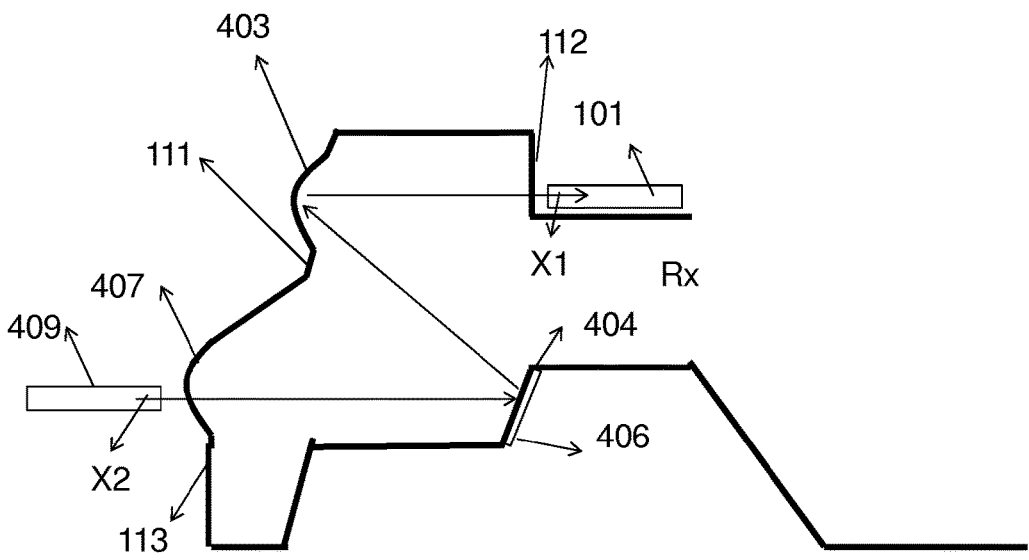


Fig. 10(b)

## OPTICAL CONNECTOR FOR DATA TRANSCIVER MODULES AND LENS BLOCK FOR OPTICAL CONNECTORS

### FIELD OF THE TECHNOLOGY

[0001] The present application relates to an optical connector for a data transceiver module and a lens block for the optical connector.

### BACKGROUND

[0002] Vertical cavity surface emitting laser (VCSEL) power monitoring is necessary for controlling VCSEL power at particular "eye safety" level. People always package it at the same level of VCSEL and on a main printed circuit board (PCB). Partially reflected light from OE lens is detected by monitoring photo diode(s) thereby giving a real time monitoring signal scaling to the absolute level of VCSEL emitting light. The monitoring signal gives indication of VCSEL power change corresponding to the change of moisture, heat, and other lifetime impact conditions.

[0003] However, traditional method always has constrained the flexibility of monitoring position and relative relationship of VCSEL and monitoring diodes. Thus, there is a need to provide a more efficient VCSEL power monitoring structure, and use the structure to realize the same function of standard optical connector at the same time.

[0004] Standard optical connector always use direct contacting connection method, to connect two sides fiber end to end, for transmitting light from one side directly to the other. Since this direct contact method has the possibility of getting two fiber surfaces touching each other during connection process, the fiber surfaces are facing potential damage of being scratched. This problem is being solved in this connector invention at the same time.

[0005] The above description of the background is provided to aid in understanding the optical connector, but is not admitted to describe or constitute pertinent prior art to the optical connector, or consider any cited documents as material to the patentability of the claims of the present application.

### SUMMARY

[0006] According to one aspect, there is provided an optical connector for data transceiver modules which may include an optical light guide having one end held in an internal multiple-fiber push-on/pull-off (MPO) housing, the optical light guide including a plurality of channels only for use in transmission of optical signals; an external coupling light guide having one end held in an external MPO housing configured to couple with the internal MPO housing; a lens block mounted in the internal MPO housing and optically coupled between the ends of the optical light guide and the external coupling light guide; a fiber cover mounted on top of the lens block, the end of the optical light guide being held between the fiber cover and the lens block, an opposite end of the optical light guide being connected with an optical engine assembly provided on a data transceiver module; a monitor photo diode array mounted on an electrical substrate disposed underneath the lens block; and a flexible printed circuit board having one end connected with the electrical substrate and an opposite end connected with a printed circuit board connector provided on the data transceiver module.

[0007] In one embodiment, the lens block may include a first lens formed on a first surface and configured to collimate light from the optical light guide to a second surface, the entire second surface being coated with a partial transmission coating whereby a first portion of collimated light from the first lens is reflected to a second lens, and a second portion of collimated light from the first lens is tapped out of the lens block through the partial transmission coating towards the monitor photo diode array, and the second lens being configured to focus light from the second surface to the external coupling light guide. The optical light guide can be a 12-channel optical light guide.

[0008] According to another aspect, there is provided an optical connector for data transceiver modules which may include a signal-transmitting optical light guide and a signal-receiving optical light guide, each optical light guide having one end held in an internal multiple-fiber push-on/pull-off (MPO) housing; an external coupling light guide having one end held in an external MPO housing configured to couple with the internal MPO housing; a lens block mounted in the internal MPO housing and optically coupled between the ends of the signal-transmitting and signal-receiving optical light guides and the end of the external coupling light guide; a fiber cover mounted on top of the lens block, the end of the signal-transmitting optical light guide being held between the fiber cover and the lens block at a transmitting side thereof and an opposite end of the signal-transmitting optical light guide being connected with a first optical engine assembly provided on a data transceiver module, the end of the signal-receiving optical light guide being held between the fiber cover and the lens block at a receiving side thereof and an opposite end of the signal-receiving optical light guide being connected with a second optical engine assembly provided on the data transceiver module; a monitor photo diode array mounted on an electrical substrate disposed underneath the lens block; and a flexible printed circuit board having one end connected with the electrical provided on the data transceiver module. The signal-transmitting optical light guide may include a first plurality of channels only for transmitting optical signals, and the signal-receiving optical light guide comprises a second plurality of channels only for receiving optical signals.

[0009] In one embodiment, the lens block may include a first lens formed on a first surface and configured to collimate light from the signal-transmitting optical light guide to a second surface at a transmitting side of the lens block coated with a partial transmission coating, whereby a first portion of collimated light from the first lens is reflected to a second lens, and a second portion of collimated light from the first lens is tapped out of the lens block through the partial transmission coating towards the monitor photo diode array, and the second lens being configured to focus light from the second surface to the external coupling light guide. The second surface at a receiving side of the lens block can be coated with a total reflective coating, whereby when light emitting from the external coupling light guide is collimated by the second lens, collimated light from the second lens is totally reflected by the total reflective coating towards the first lens and then focused onto the signal-receiving optical light guide.

[0010] In one embodiment, the signal-transmitting optical light guide can be a 6-channel optical light guide, and the signal-receiving optical light guide can be a 6-channel optical light guide.

**[0011]** According to yet another aspect, there is provided a lens block for an optical connector which may include a first region configured to collimate light from a first optical light guide to a second region, the second region being coated with a partial transmission coating whereby a first portion of collimated light from the first region is reflected to a third region, and a second portion of collimated light from the first lens is tapped out of the lens block through the partial transmission coating, and the third region being configured to focus light from the second region to a second optical light guide.

**[0012]** In one embodiment, the first region may include an end surface facing the first optical light guide and a first lens formed on a first surface disposed at an angle with respect to the end surface, and the second region is provided with a second surface on which the partial transmission coating is coated.

**[0013]** In one embodiment, the third region may include a second lens formed on a third surface facing the second optical light guide and a fourth surface disposed at an angle with respect to the third surface.

**[0014]** In one embodiment, the third region may include a third surface facing the second optical light guide and a second lens formed on a fourth surface disposed at an angle with respect to the third surface.

**[0015]** In one embodiment, the third region may include a second lens facing the second optical light guide, wherein the first lens is disposed along a first longitudinal axis of the first optical light guide, and the second surface is disposed along and at an angle with respect to a second longitudinal axis of the second optical light guide which is spaced apart from the first longitudinal axis of the first optical light guide, whereby optical light path in the lens block between the first and second optical light guides is Z-shaped.

**[0016]** In one embodiment, the entire lens block is only used for transmission and the second surface is entirely coated with the partial transmission coating, whereby when light emitting from the first optical light guide and entering the lens block through the end surface is totally reflected and collimated by the first lens, the first portion of collimated light from the first lens is reflected by the partial transmission coating towards the fourth surface where it is further reflected to the second lens and then focused onto the second optical light guide, and the second portion of collimated light from the first lens is tapped out of the lens block through the partial transmission coating.

**[0017]** In one embodiment, the lens block may include a transmitting side and a receiving side, and the second surface at the transmitting side is coated with the partial transmission coating, whereby when light emitting from the first optical light guide and entering the transmitting side of the lens block through the end surface is totally reflected and collimated by the first lens, the first portion of collimated light from the first lens is reflected by the partial transmission coating towards the fourth surface where it is further reflected to the second lens and then focused onto the second optical light guide, and the second portion of collimated light from the first lens is tapped out of the lens block through the partial transmission coating.

**[0018]** In one embodiment, the second surface at the receiving side of the lens block may be coated with a total reflective coating, whereby when light emitting from the second optical light guide is collimated by the second lens, the collimated light from the second lens is totally reflected

by the fourth surface and further totally reflected by the total reflective coating towards the first lens and then focused onto a third optical light guide.

**[0019]** In one embodiment, the lens block may include a transmitting side and a receiving side, and the second surface at the transmitting side of the lens block is coated with the partial transmission coating, whereby when light emitting from the first optical light guide and entering the transmitting side of the lens block through the end surface is totally reflected and collimated by the first lens, the first portion of collimated light from the first lens is reflected by the partial transmission coating towards the second lens where it is focused onto the second optical light guide through the third surface, and the second portion of collimated light from the first lens is tapped out of the lens block through the partial transmission coating.

**[0020]** In one embodiment, the second surface at the receiving side of the lens block may be coated with a total reflective coating, whereby when light emitting from the second optical light guide and entering the lens block through the third surface is collimated by the second lens, the collimated light from the second lens is totally reflected by the total reflective coating towards the first lens and then focused onto a third optical light guide.

**[0021]** In one embodiment, the lens block may include a transmitting side and a receiving side, and the second surface at the transmitting side of the lens block is coated with the partial transmission coating, whereby when light emitting from the first optical light guide and entering the lens block through the end surface is totally reflected and collimated by the first lens, the first portion of collimated light from the first lens is reflected by the partial transmission coating towards the second lens and then focused onto the second optical light guide, and the second portion of collimated light from the first lens is tapped out of the lens block through the partial transmission coating.

**[0022]** In one embodiment, the second surface at the receiving side of the lens block may be coated with a total reflective coating, whereby when light emitting from the second optical light guide is collimated by the second lens, the collimated light from the second lens is totally reflected by the total reflective coating towards the first lens and then focused onto a third optical light guide.

**[0023]** In one embodiment, the first surface can be an angled surface disposed along and at an angle with respect to a first longitudinal axis of the first optical light guide.

**[0024]** In one embodiment, the third surface can be an angled surface disposed along and at an angle with respect to a second longitudinal axis of the second optical light guide.

**[0025]** Although the optical connector is shown and described with respect to certain embodiments, it is obvious that equivalents and modifications will occur to others skilled in the art upon the reading and understanding of the specification. The optical connector in the present application includes all such equivalents and modifications, and is limited only by the scope of the claims.

#### BRIEF DESCRIPTION OF THE DRAWINGS

**[0026]** Specific embodiments of the optical connector will now be described by way of example with reference to the accompanying drawings wherein:

**[0027]** FIG. 1 is an illustrative diagram showing an optical connector of the prior art.

**[0028]** FIG. 2 is an exploded view of an optical connector according to an embodiment of the present application.

**[0029]** FIG. 3(a) is a cross sectional view of a monitor block of the optical connector according to an embodiment of the present application.

**[0030]** FIG. 3(b) is a block diagram showing the functions of each optical surface of the monitor block of the optical connector according to an embodiment of the present application.

**[0031]** FIG. 3(c) is an enlarged view of the optical surfaces of the monitor block of the optical connector according to an embodiment of the present application.

**[0032]** FIG. 3(d) shows an optical path of the monitor block of the optical connector according to an embodiment of the present application.

**[0033]** FIG. 4(a) shows a top perspective view and a top view of a lens block of the optical connector according to an embodiment of the present application.

**[0034]** FIG. 4(b) shows a bottom view of the lens block of the optical connector according to an embodiment of the present application.

**[0035]** FIGS. 5(a)-5(d) show an assembly process of the optical connector according to an embodiment of the present application.

**[0036]** FIG. 6(a) is a front perspective view of an optical connector according to another embodiment of the present application.

**[0037]** FIG. 6(b) is a rear perspective view of the optical connector according to another embodiment of the present application.

**[0038]** FIG. 7 is a bottom view of the lens block of the optical connector according to another embodiment of the present application.

**[0039]** FIG. 8(a) shows an optical path at the transmitter side Tx of the monitor block of the optical connector according to another embodiment of the present application.

**[0040]** FIG. 8(b) shows an optical path at the receiver side Rx of the monitor block of the optical connector according to another embodiment of the present application.

**[0041]** FIG. 9(a) shows an optical path at the transmitter side Tx of the monitor block of the optical connector according to a further embodiment of the present application.

**[0042]** FIG. 9(b) shows an optical path at the receiver side Rx of the monitor block of the optical connector according to a further embodiment of the present application.

**[0043]** FIG. 10(a) shows an optical path at the transmitter side Tx of the monitor block of the optical connector according to yet another embodiment of the present application.

**[0044]** FIG. 10(b) shows an optical path at the receiver side Rx of the monitor block of the optical connector according to yet another embodiment of the present application.

#### DETAILED DESCRIPTION

**[0045]** Reference will now be made in detail to a preferred embodiment of the optical connector, examples of which are also provided in the following description. Exemplary embodiments of the optical connector are described in detail, although it will be apparent to those skilled in the relevant art that some features that are not particularly important to an understanding of the optical connector may not be shown for the sake of clarity.

**[0046]** Furthermore, it should be understood that the optical connector is not limited to the precise embodiments described below and that various changes and modifications thereof may be effected by one skilled in the art without departing from the spirit or scope of the protection. For example, elements and/or features of different illustrative embodiments may be combined with each other and/or substituted for each other within the scope of this disclosure and appended claims.

**[0047]** In addition, improvements and modifications which may become apparent to persons of ordinary skill in the art after reading this disclosure, the drawings, and the appended claims are deemed within the spirit and scope of the protection.

**[0048]** For illustration purposes, the terms such as “upper”, “lower”, “vertical”, “horizontal”, “top” or “bottom” appeared hereinafter relate to the invention as it is oriented in the drawings. It is understood that the invention may assume various positions, except where expressly specified to the contrary. Furthermore, it is understood that the specific devices shown in the drawings, and described in the following description, are simply exemplary embodiments of the invention. Hence, specific dimensions and other physical characteristics related to the embodiments disclosed hereinafter are not to be considered as limiting.

**[0049]** It should be noted that throughout the specification and claims herein, when one element is said to be “coupled” or “connected” to another, this does not necessarily mean that one element is fastened, secured, or otherwise attached to another element. Instead, the term “coupled” or “connected” means that one element is either connected directly or indirectly to another element or is in mechanical, electrical or optical communication with another element.

**[0050]** FIG. 1 shows an optical connector of the prior art. Ordinary optical connection is achieved by combining two identical multiple-fiber push-on/pull-off (MPO) connectors. They include an optical light guide **101**, external coupling light guide **109** and housings **004**. The two connectors are pressed tightly to each other, face to face. Hence, the optical light guide **101** and the external coupling light guide **109** are pressed to each other end to end. Then light is guided from the optical light guide **101** to the external coupling light guide **109**, or from the external coupling light guide **109** to the optical light guide **101**.

**[0051]** FIG. 2 is an exploded view of an optical connector according to an embodiment of the present application. This monitor photo diode assembled with multiple-fiber push-on/pull-off (MPO) jumper may include a data transceiver module **001** provided with an optical engine assembly **002** and a flexible printed circuit board (PCB) connector **003**. The optical engine assembly **002** may include lens, vertical cavity surface emitting laser (VCSEL), photo diodes, and their drivers.

**[0052]** One end of an optical light guide **101** may be optically coupled with the optical engine assembly **002**, and the other end of the optical light guide **101** may be optically coupled with a monitor lens block **0061**. The other end of the optical light guide **101** can be supported on a fiber v-groove **102** or a blind hole. The monitor lens block **0061** can be mounted within an internal MPO housing **005**. The internal MPO housing **005** may be coupled with an external MPO housing **004**, which may be provided with an external coupling light guide **109**. A plurality of alignment pins **0065**

may be mounted through the lens block **0061** to facilitate alignment of the external and internal MPO housings **004**, **005**.

**[0053]** A fiber cover **0063** may be mounted on top of the lens block **0061**. An end of the optical light guide **101** may be disposed between the fiber cover **0063** and a portion of the lens block **0061**. A fiber cover lock **0064** may be used to lock the fiber cover **0063** in a fixed position. An opposite end of the optical light guide **101** may be connected with the optical engine assembly **002** provided on the data transceiver module **001**.

**[0054]** A monitor photo diode array **0066** may be mounted on an electrical substrate **0031** disposed underneath the lens block **0061**. The electrical substrate **0031** may be provided at one end of a flexible printed circuit board (PCB) **0032**. An opposite end of the flexible PCB **0032** may be connected with a PCB connector **007** provided on the data transceiver module **001**.

**[0055]** The plastic lens block can be assembled with transceiver side fibers with V-grooves or blind holes or other features. The fibers can be assembled with fiber cover, and fixed with epoxy added onto the V-groove area. Between fiber end and plastic lens, index matching epoxy can be applied for better compatible of fiber and plastic materials. Then the cover lock may be added onto the fiber cover, tightly pressing the fiber cover. Also, epoxy may be added into the gap positions between the two layers and cured.

**[0056]** The array of monitor photo diodes **0066** may be bonded onto the flexible PCB **0032** and this PCB **0032** can be assembled under the lens block **0061** with alignment pins **0065** provided through the lens block **0061**. Epoxy may be added around the cavity to attach the flexible PCB. The transceiver side fiber can be assembled with optical component and flexible PCB to form a whole optical piece. This optical piece may be inserted into one standard MPO housing and half length of metal alignment pins may be exposed out of the housing for mating the other side standard MPO connector.

**[0057]** The electrical substrate **0031** may be disposed below the monitor lens block **0061**. The monitor photo diode array **0066** can be mounted on the electrical substrate **0031** at a position underneath the monitor lens block **0061**.

**[0058]** FIGS. 3(a)-3(d) show details of the monitor lens block **0061** according to an embodiment of the present application. The lens block **0061** may include a transmitter side Tx for transmitting signals, and a receiver side Rx for receiving signals (see FIG. 7). The lens block **0061** may be mounted in the internal MPO housing **005** and optically coupled between the optical light guide **101** and the external coupling light guide **109**.

**[0059]** A first lens **103** may be formed on a first surface **111** of the lens block **0061** and configured to totally reflect and collimate light emitting from the optical light guide **101** and entering the lens block **0061** through an end surface **112**. The first surface **111** may be disposed along and at an angle with respect to a first longitudinal axis X1 of the optical light guide **101**.

**[0060]** A second surface **104** may be provided on the lens block **0061** and coated with a partial transmission coating **105** for internally reflecting a first portion of light from the first lens **103** and tapping a second portion of light from the first lens **103** out of the lens block **0061** towards the monitor photo diode array **0066**. The second surface **104** may be a

flat surface disposed parallel to a second longitudinal axis X2 of the external coupling light guide **109**.

**[0061]** A second lens **107** may be formed on the lens block **0061** for focusing light from the second surface **104** onto the external coupling light guide **109**. The second surface **104** may be further coated with a total reflective coating **106** so that light emitted from the external coupling light guide **109** and collimated by the second lens **107** can be totally reflected by the second surface **104** towards the first lens **103** and focused onto the optical light guide **101**. The total reflective coating **106** may be provided on the receiver side Rx of the lens block **0061** and the partial transmission coating may be provided on the transmitter side of the lens block **0061**, as illustrated in FIG. 7.

**[0062]** The lens block **0061** may further include a third surface **113** facing the external coupling light guide **109** and a fourth surface **114** disposed at an angle with respect to the third surface **113**. The fourth surface **114** may be optically associated with the second surface **104**.

**[0063]** In one embodiment, as shown in FIG. 3(d), the second lens **107** can be formed on the third surface **113** so that light from the second surface **104** can be totally reflected by the fourth surface **114** towards the second lens **107** and can be focused by the second lens **107** onto the external coupling light guide **109**, and light emitting from the external coupling light guide **109** and entering the lens block **0061** can be collimated by the second lens **107** and then totally reflected by the fourth surface **114** towards the second surface **104**.

**[0064]** FIG. 3(d) shows the optical path on the transmitter side Tx of the connector. Basically, light emitting out from the data transceiver module **001** passes through the optical light guide **101** (such as fiber, etc.) which may be mounted on V-groove structure **102** of the lens block **0061**. Light may be impinged on the first lens **103** of the first surface **111**. It is collimated and totally reflected to the second surface **104** of the lens block **0061**. On the transmitter side Tx, the second surface **104** may be coated with partial transmission coating **105**. Particular percentage of light may be tapped out of the lens block **0061** through the partial transmission coating **105** and may then be monitored by the monitor photo diode array **0066**. The other portion of light can be reflected by the partial transmission coating **105** towards the fourth surface **114**. Then the light can be totally reflected internally towards the second lens **107** formed on the third surface **113**, and finally focused onto the external coupling light guide **109**.

**[0065]** FIGS. 4(a)-4(c) shows different views of the lens block **0061** according to an embodiment of the present application. On the first surface **111**, elliptical lens array **1031** may perform optical functions. On the second surface **104**, the partial transmission coating **105** may be provided. On the transmitter side Tx, the elliptical lens array **1031** can collimate and totally reflect light to the second surface **104**. On the receiver side Rx, the elliptical lens array **1031** can collect reflected light from the second surface **104**, and focus the light onto the optical light guide **101**.

**[0066]** A plurality of channels (e.g. 12 channels) **122** may be provided on the optical connector of the present application. Half of the channels may be provided on the transmitter side Tx and half of the channels may be provided on the receiver side Rx. The transmitter side Tx and the receiver side Rx may be provided on two quad small form factor pluggable (QSFP) boards respectively.

[0067] FIGS. 5(a)-5(d) show an assembly process of the optical connector according to an embodiment of the present application. As shown in FIG. 5(a), the monitor photo diode array 0066 can be bonded on the flexible PCB 0032. In FIG. 5(b), the flexible PCB 0032 with the monitor photo diode array 0066 can be assembled with monitor lens block 0061. As illustrated in FIG. 5(c), the optical light guide 101, the fiber cover 0063, and the cover locker 0064 are then assembled. As shown in FIG. 5(d), it is further assembled with the MPO housings 004, 005 and coupled with the external coupling light guide 109.

[0068] FIGS. 6(a) and 6(b) show an optical connector with transmitter and receiver assembled together according to a second embodiment of the present application. In this embodiment, the transmitting or transmitter side Tx and the receiving or receiver side Rx of the lens blocks 0061 can be provided side-by-side on the same piece of transceiver module. Hence, one block of the optical connector can perform on the transmitter side Tx and on the receiver side Rx at the same time.

[0069] In the embodiment, there are two optical light guides 101, namely a signal-transmitting optical light guide and a signal-receiving optical light guide. Each optical light guide 101 may have one end held in the internal MPO housing 005. The end of the signal-transmitting optical light guide may be held between the fiber cover 0063 and the lens block 0061 at the transmitter side thereof, and an opposite end of the signal-transmitting optical light guide may be connected with one optical engine assembly 002 provided on the data transceiver module 001. The end of the signal-receiving optical light guide may be held between the fiber cover 0063 and the lens block 0061 at the receiver side thereof, and an opposite end of the signal-receiving optical light guide may be connected with another optical engine assembly 002 provided on the data transceiver module 001.

[0070] FIG. 7 is a bottom view of the lens block 0061 of the optical connector with transmitter and receiver assembled together according to an embodiment of the present application. It can be seen that the partial transmission coating 105 may be provided at the transmitter side Tx of the lens block 0061, and the total reflective coating 106 may be provided at the receiver side Rx of the lens block 0061.

[0071] FIG. 8(a) shows an optical path at the transmitter side Tx of the monitor lens block 0061 of the optical connector according to an embodiment of the present application. Basically, at the transmitter side Tx, light emitting out from the data transceiver module 001 goes through the optical light guide 101 (such as fiber, etc.), and is collected by the first lens 103. Light is collimated and totally reflected to the second surface 104. The second surface 104 may be coated with partial transmission coating 105 on the transmitter side Tx and total reflective coating 106 on the receiver side Rx. Particular percentage of power of light may be transmitted through the partial transmission coating 105 and monitored by the monitor photo diode array 0066. The other portion of light continues the path by reflection on the partial transmission coating 105. The light is reflected by the fourth surface 114 and reaches the second lens 107. Then the light is totally focused by the second lens 107 and finally coupled with the external coupling light guide 109.

[0072] FIG. 8(b) shows an optical path at the receiver side Rx of the monitor lens block 0061 of the optical connector. On the receiver side Rx, light emitting out from the external

coupling light guide 109 is collected by the second lens 107. The light is collimated by the second lens 107 and totally reflected by the fourth surface 114 towards the second surface 104. The receiver side Rx 104 may be coated with total reflective coating 106. All of the light may continue the path by reflection on the total reflective coating 106, and reach the first lens portion 103. Then the light is totally reflected by the first lens 103 and focused onto the optical light guide 101 (such as fiber, etc.).

[0073] FIG. 9(a) shows an optical path at the transmitter side Tx of the monitor lens block 0061 of the optical connector according to a further embodiment of the present application. Basically, on the transmitter side Tx, light emitting out from the data transceiver module 001 passes through the optical light guide 101 (such as fiber, etc.), and is collected by a first lens 303. It is collimated and totally reflected to a second surface 304. The second surface 304 may be coated with a partial transmission coating 305 on the transmitter side Tx and a total reflective coating 306 on the receiver side Rx. Particular percentage of power of light can be transmitted through the partial transmission coating 305 and monitored by the monitor photo diode array 0066. The other portion of light may continue the path by reflection on the partial transmission coating 305, and reach a second lens 307. In this embodiment, the second lens 307 can be formed on the fourth surface 114 so that light from the second surface 304 can be totally reflected and focused by the second lens 307 onto the external coupling light guide 109 through the third surface 113.

[0074] FIG. 9(b) shows an optical path at the receiver side Rx of the monitor lens block 0061 of the optical connector. On the receiver side Rx, light emitting out from the external coupling light guide 109 passes through the third surface 113 and is collimated by the second lens 307 formed on the fourth surface 114. Then it is totally reflected by the second lens 307 towards the second surface 304. The receiver side Rx of the second surface 304 may be coated with total reflective coating 306. The light continues the path by being reflected on the total reflective coating 306, and reaches the first lens 303. Then the light is totally reflected by the first lens 303 and focused onto the optical light guide 101 (such as fiber, etc.).

[0075] FIG. 10(a) shows an optical path at the transmitter side Tx of the monitor lens block of the optical connector according to yet another embodiment of the present application. Basically, on the transmitter side Tx, light emitting out from the data transceiver module 001 passes through the optical light guide 101 (such as fiber, etc.), and is collected by a first lens 403. The first lens 403 is coated with a total reflective coating. Light is collimated and totally reflected to a second surface 404. The second surface 104 can be a flat surface disposed along and at an angle with respect to a second longitudinal axis X2 of the external coupling light guide 109. The second surface 404 may be coated with a partial transmission coating 405 on the transmitter side Tx and a total reflective coating 406 on the receiver side Rx. Particularly controlled partial power of light can be transmitted through the partial transmission coating 405 and monitored by monitor photo diode array 0066. The other portion of light continues the path by reflection on the second surface 404, and reaches a second lens 407 formed on a third surface 113. Then the light is totally focused onto the external coupling light guide 109.

[0076] FIG. 10(b) shows an optical path at the receiver side Rx of the monitor lens block 0061 of the optical connector. On the receiver side Rx, light emitting out from the external coupling light guide 109 transmits to the second lens 407 formed on the third surface 113. Light is collimated by the second lens 407 and transmits to the second surface 404. The receiver side Rx of the second surface 404 may be coated with total reflective coating 406. Light continues the path by being reflected on the second surface 404, and reaches the first lens 403. Then light is totally reflected by the first lens 403 and focused onto optical light guide 101 (such as fiber, etc.).

[0077] The optical connector of the present application can turn an entire monitoring system into an integrated monitoring block, and can make this block perfectly compatible with MPO connectors. The monitoring block is delicately constructed with precise size and perfect adapting features for light guides on both sides of the monitoring block.

[0078] MPD system can be put into common MPO housing and mate with the other side connector with a specifically designed air gap to avoid scratching the tip of the fiber. The monitoring block could be used as one type of optical connector for transmitter or receiver, and as part of a full transceiver while realizing power monitoring function at the same time. Of course, this power monitor is after the first stage OE lens coupling. It can reflect the change of VCSEL source in its functional time.

[0079] This optical connector can make application of MPD connector more flexible in use. It can connect the main signal processing PCB board with flexible PCB and can connect the VCSEL output coupling power with the optical light guide.

[0080] Data transmission module emits communication light from VCSEL. VCSEL light intensity change affects data transmission quality and stability. In order to have stable output power from VCSEL, power monitor is necessary for power monitoring functional VCSEL. The conventional method is to integrate a power monitor with VCSEL on the same substrate within a transmitter housing. The optical connector discloses in the present application uses fiber coupled light from transceiver for tapping a portion of light out with a partially transparent coating on a molded plastic lens block.

[0081] The power can be monitored by photo diode within the MPO housing, and the signal of the received light power from MPD can be transmitted to the main PCB in the module side with flexible PCB for further processing. On the other side, the transmission light coupled into jumper side fiber within MPO connector. Since the monitor lens block is included on one side of standard MPO housing, the fiber side coupling lens is facing the other side MPO connector. Then the two sides of the MPO housing can mate with each other using ordinary alignment features.

[0082] While the optical connector has been shown and described with particular references to a number of preferred embodiments thereof, it should be noted that various other changes or modifications may be made without departing from the scope of the appended claims.

1. An optical connector for data transceiver modules, the optical connector comprising:

- (a) an optical light guide having one end held in an internal multiple-fiber push-on/pull-off (MPO) hous-

- ing, the optical light guide comprising a plurality of channels only for use in transmission of optical signals;
- (b) an external coupling light guide having one end held in an external MPO housing configured to couple with the internal MPO housing;
- (c) a lens block mounted in the internal MPO housing and optically coupled between the ends of the optical light guide and the external coupling light guide;
- (d) a fiber cover mounted on top of the lens block, the end of the optical light guide being held between the fiber cover and the lens block, an opposite end of the optical light guide being connected with an optical engine assembly provided on a data transceiver module;
- (e) a monitor photo diode array mounted on an electrical substrate disposed underneath the lens block; and
- (f) a flexible printed circuit board having one end connected with the electrical substrate and an opposite end connected with a printed circuit board connector provided on the data transceiver module;
- (g) wherein a surface of the lens block is coated with a partial transmission coating, whereby a portion of light passing through the lens block is tapped out of the lens block through the partial transmission coating towards the monitor photo diode array.

2. The optical connector for data transceiver modules as claimed in claim 1, wherein the lens block comprises a first lens formed on a first surface and configured to collimate light from the optical light guide to a second surface, the entire second surface being coated with the partial transmission coating whereby a first portion of collimated light from the first lens is reflected to a second lens, and a second portion of collimated light from the first lens is tapped out of the lens block through the partial transmission coating towards the monitor photo diode array, and the second lens being configured to focus light from the second surface to the external coupling light guide.

3. The optical connector for data transceiver modules as claimed in claim 1, wherein the optical light guide is a 12-channel optical light guide.

4. An optical connector for data transceiver modules, the optical connector comprising:

- (a) a signal-transmitting optical light guide and a signal-receiving optical light guide, each optical light guide having one end held in an internal multiple-fiber push-on/pull-off (MPO) housing;
- (b) an external coupling light guide having one end held in an external MPO housing configured to couple with the internal MPO housing;
- (c) a lens block mounted in the internal MPO housing and optically coupled between the ends of the signal-transmitting and signal-receiving optical light guides and the end of the external coupling light guide;
- (d) a fiber cover mounted on top of the lens block, the end of the signal-transmitting optical light guide being held between the fiber cover and the lens block at a transmitting side thereof and an opposite end of the signal-transmitting optical light guide being connected with a first optical engine assembly provided on a data transceiver module, the end of the signal-receiving optical light guide being held between the fiber cover and the lens block at a receiving side thereof and an opposite end of the signal-receiving optical light guide being connected with a second optical engine assembly provided on the data transceiver module;



- (e) a monitor photo diode array mounted on an electrical substrate disposed underneath the lens block; and
- (f) a flexible printed circuit board having one end connected with the electrical substrate and an opposite end connected with a printed circuit board connector provided on the data transceiver module;
- (g) wherein the signal-transmitting optical light guide comprises a first plurality of channels only for transmitting optical signals, and the signal-receiving optical light guide comprises a second plurality of channels only for receiving optical signals;
- (h) wherein a surface of the lens block is coated with a partial transmission coating, whereby a portion of light passing through the lens block is tapped out of the lens block through the partial transmission coating towards the monitor photo diode array.

5. The optical connector for data transceiver modules as claimed in claim 4, wherein the lens block comprises a first lens formed on a first surface and configured to collimate light from the signal-transmitting optical light guide to a second surface at a transmitting side of the lens block coated with the partial transmission coating, whereby a first portion of collimated light from the first lens is reflected to a second lens, and a second portion of collimated light from the first lens is tapped out of the lens block through the partial transmission coating towards the monitor photo diode array, and the second lens being configured to focus light from the second surface to the external coupling light guide, and wherein the second surface at a receiving side of the lens block is coated with a total reflective coating, whereby when light emitting from the external coupling light guide is collimated by the second lens, collimated light from the second lens is totally reflected by the total reflective coating towards the first lens and then focused onto the signal-receiving optical light guide.

6. The optical connector for data transceiver modules as claimed in claim 4, wherein the signal-transmitting optical light guide is a 6-channel optical light guide, and the signal-receiving optical light guide is a 6-channel optical light guide.

7. A lens block for an optical connector, the lens block comprising a first region configured to collimate light from a first optical light guide to a second region, the second region being coated with a partial transmission coating whereby a first portion of collimated light from the first region is reflected to a third region, and a second portion of collimated light from the first lens is tapped out of the lens block through the partial transmission coating, and the third region being configured to focus light from the second region to a second optical light guide.

8. The lens block as claimed in claim 7, wherein the first region comprises an end surface facing the first optical light guide and a first lens formed on a first surface disposed at an angle with respect to the end surface, and the second region is provided with a second surface on which the partial transmission coating is coated.

9. The lens block as claimed in claim 8, wherein the third region comprises a second lens formed on a third surface facing the second optical light guide and a fourth surface disposed at an angle with respect to the third surface.

10. The lens block as claimed in claim 8, wherein the third region comprises a third surface facing the second optical light guide and a second lens formed on a fourth surface disposed at an angle with respect to the third surface.

11. The lens block as claimed in claim 8, wherein the third region comprises a second lens facing the second optical light guide, wherein the first lens is disposed along a first longitudinal axis of the first optical light guide, and the second surface is disposed along and at an angle with respect to a second longitudinal axis of the second optical light guide which is spaced apart from the first longitudinal axis of the first optical light guide, whereby optical light path in the lens block between the first and second optical light guides is Z-shaped.

12. The lens block as claimed in claim 9, wherein the entire lens block is only used for transmission and the second surface is entirely coated with the partial transmission coating, whereby when light emitting from the first optical light guide and entering the lens block through the end surface is totally reflected and collimated by the first lens, the first portion of collimated light from the first lens is reflected by the partial transmission coating towards the fourth surface where it is further reflected to the second lens and then focused onto the second optical light guide, and the second portion of collimated light from the first lens is tapped out of the lens block through the partial transmission coating.

13. The lens block as claimed in claim 9, wherein the lens block comprises a transmitting side and a receiving side, and the second surface at the transmitting side is coated with the partial transmission coating, whereby when light emitting from the first optical light guide and entering the transmitting side of the lens block through the end surface is totally reflected and collimated by the first lens, the first portion of collimated light from the first lens is reflected by the partial transmission coating towards the fourth surface where it is further reflected to the second lens and then focused onto the second optical light guide, and the second portion of collimated light from the first lens is tapped out of the lens block through the partial transmission coating.

14. The lens block as claimed in claim 13, wherein the second surface at the receiving side of the lens block is coated with a total reflective coating, whereby when light emitting from the second optical light guide is collimated by the second lens, the collimated light from the second lens is totally reflected by the fourth surface and further totally reflected by the total reflective coating towards the first lens and then focused onto a third optical light guide.

15. The lens block as claimed in claim 10, wherein the lens block comprises a transmitting side and a receiving side, and the second surface at the transmitting side of the lens block is coated with the partial transmission coating, whereby when light emitting from the first optical light guide and entering the transmitting side of the lens block through the end surface is totally reflected and collimated by the first lens, the first portion of collimated light from the first lens is reflected by the partial transmission coating towards the second lens where it is focused onto the second optical light guide through the third surface, and the second portion of collimated light from the first lens is tapped out of the lens block through the partial transmission coating.

16. The lens block as claimed in claim 15, wherein the second surface at the receiving side of the lens block is coated with a total reflective coating, whereby when light emitting from the second optical light guide and entering the lens block through the third surface is collimated by the second lens, the collimated light from the second lens is

totally reflected by the total reflective coating towards the first lens and then focused onto a third optical light guide.

17. The lens block as claimed in claim 15, wherein the lens block comprises a transmitting side and a receiving side, and the second surface at the transmitting side of the lens block is coated with the partial transmission coating, whereby when light emitting from the first optical light guide and entering the lens block through the end surface is totally reflected and collimated by the first lens, the first portion of collimated light from the first lens is reflected by the partial transmission coating towards the second lens and then focused onto the second optical light guide, and the second portion of collimated light from the first lens is tapped out of the lens block through the partial transmission coating.

18. The lens block as claimed in claim 17, wherein the second surface at the receiving side of the lens block is coated with a total reflective coating, whereby when light emitting from the second optical light guide is collimated by the second lens, the collimated light from the second lens is totally reflected by the total reflective coating towards the first lens and then focused onto a third optical light guide.

19. The lens block as claimed in claim 8, wherein the first surface is an angled surface disposed along and at an angle with respect to a first longitudinal axis of the first optical light guide.

20. The lens block as claimed in claim 9, wherein the third surface is an angled surface disposed along and at an angle with respect to a second longitudinal axis of the second optical light guide.

\* \* \* \* \*