



US 20150144404A1

(19) **United States**

(12) **Patent Application Publication**

Peterson et al.

(10) **Pub. No.: US 2015/0144404 A1**

(43) **Pub. Date: May 28, 2015**

(54) **BEARING ASSEMBLIES AND APPARATUSES INCLUDING TILTING SUPERHARD BEARING ELEMENTS, AND MOTOR ASSEMBLIES USING THE SAME**

Publication Classification

(51) **Int. Cl.**
F16C 33/04 (2006.01)
E21B 4/00 (2006.01)
F16C 17/06 (2006.01)

(52) **U.S. Cl.**
 CPC *F16C 33/043* (2013.01); *F16C 17/06* (2013.01); *E21B 4/003* (2013.01)

(71) Applicant: **US SYNTHETIC CORPORATION, OREM, UT (US)**

(72) Inventors: **S. Barrett Peterson, Orem, UT (US); Craig H. Cooley, Saratoga Springs, UT (US); Timothy N. Sexton, Bettendorf, IA (US)**

(21) Appl. No.: **14/613,236**

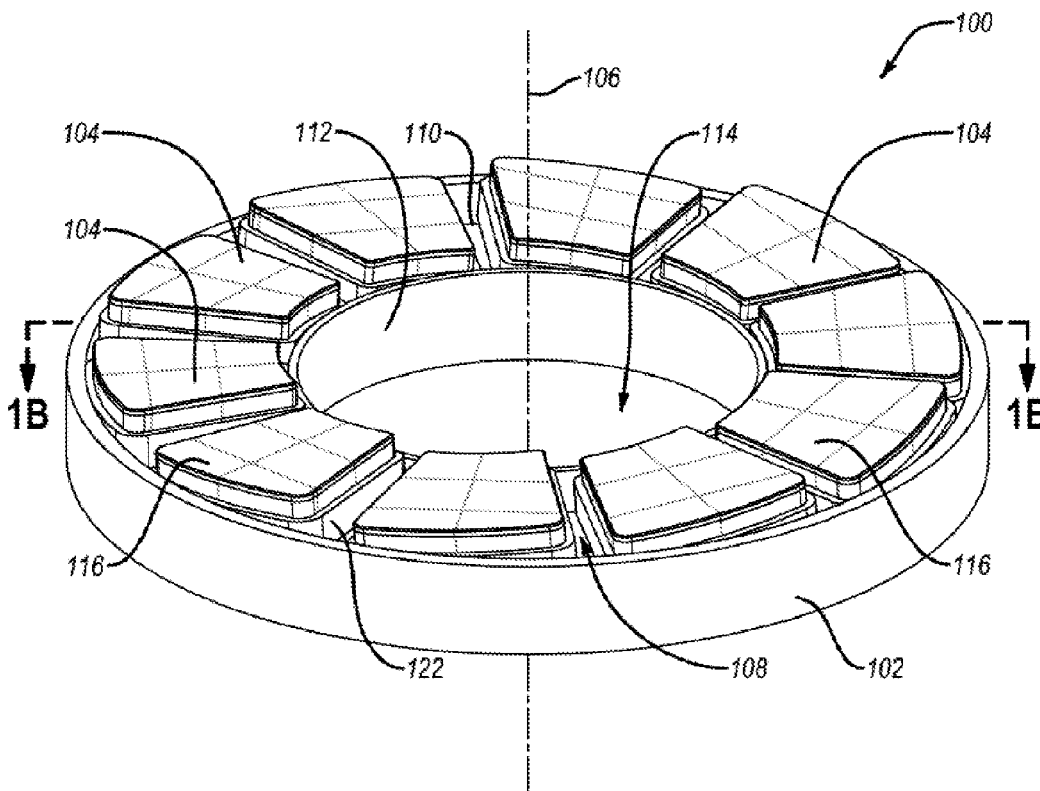
(22) Filed: **Feb. 3, 2015**

Related U.S. Application Data

(63) Continuation of application No. 14/134,841, filed on Dec. 19, 2013, now Pat. No. 8,967,871, which is a continuation of application No. 13/550,831, filed on Jul. 17, 2012, now Pat. No. 8,651,743, which is a continuation-in-part of application No. 13/089,725, filed on Apr. 19, 2011, now Pat. No. 8,545,103.

(57) **ABSTRACT**

Embodiments relate to tilting superhard bearing element bearing assemblies and apparatuses. The disclosed assemblies/apparatuses may be employed in downhole motors of a subterranean drilling system or other mechanical systems. In an embodiment, a bearing assembly may include a support ring and a plurality of superhard bearing elements each of which is tilted and/or tiltably secured relative to the support ring and distributed circumferentially about an axis. Each of the superhard bearing elements includes a bearing surface and a base portion. The base portion of the at least one of the superhard bearing elements may include a tilting feature configured to allow the at least one of the superhard bearing elements to be tiltably about a tilt axis. The bearing assembly includes retaining features that secure the superhard bearing elements to the support ring.



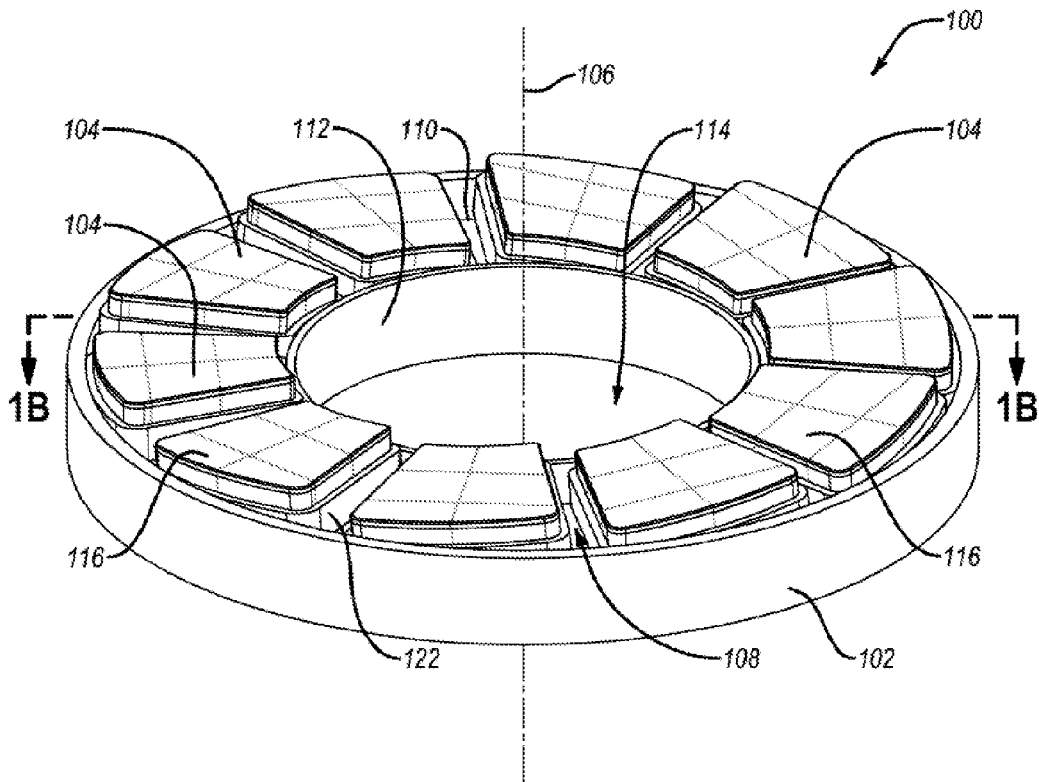


Fig. 1A

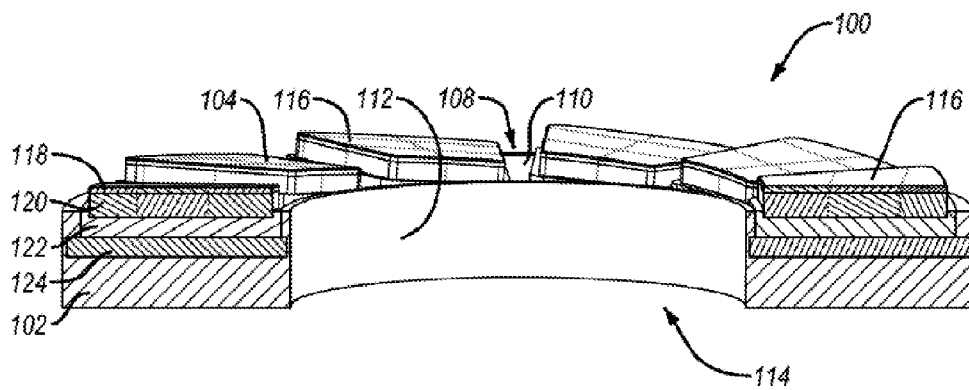


Fig. 1B

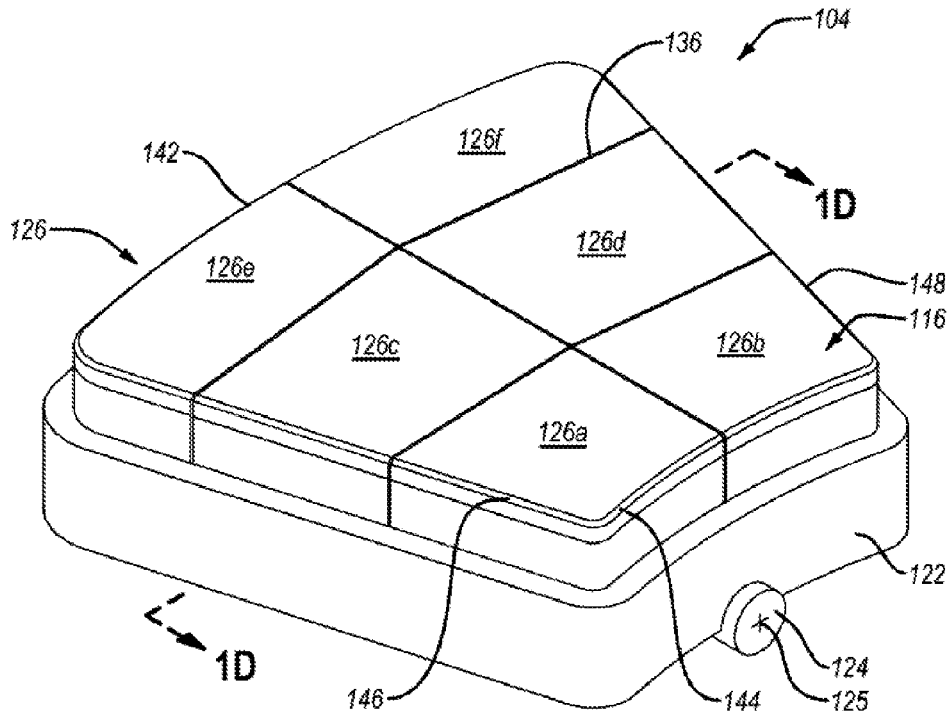


Fig. 1C

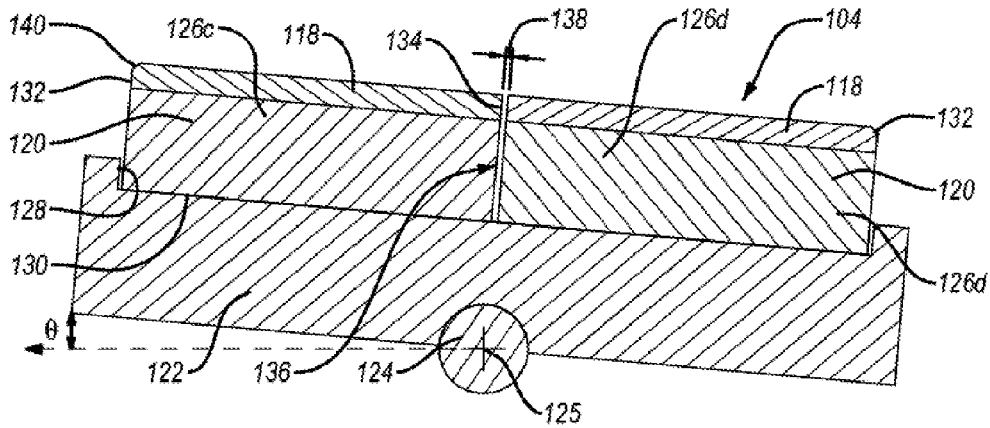


Fig. 1D

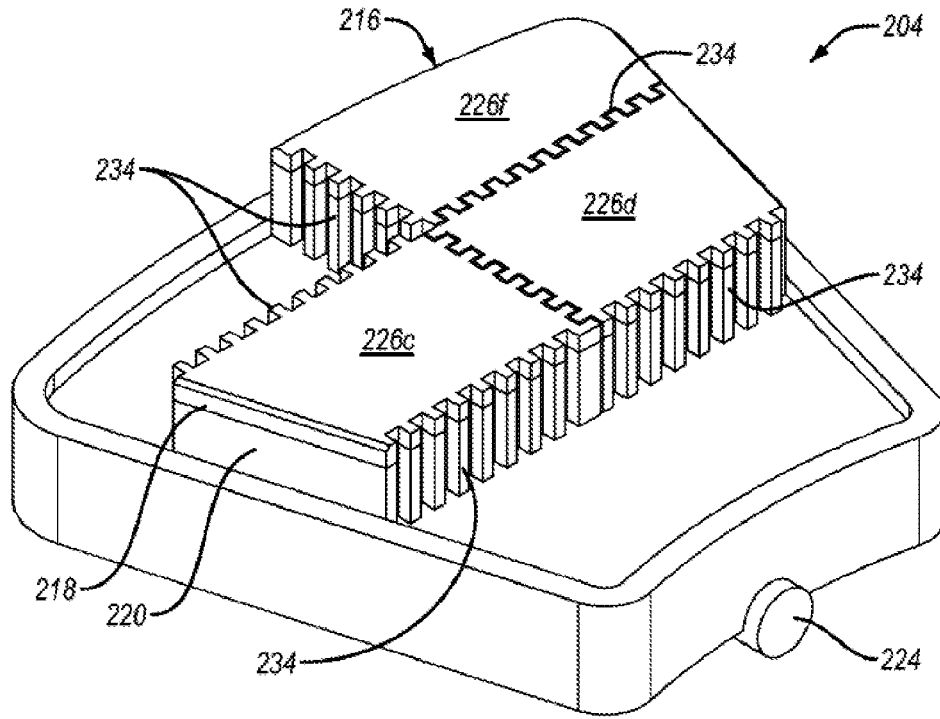


Fig. 2A

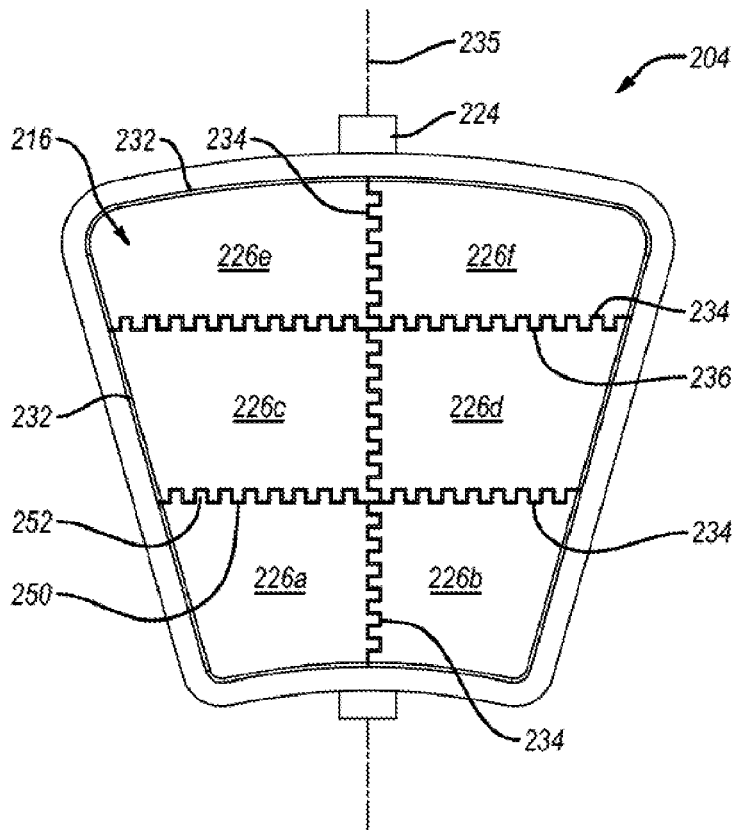


Fig. 2B

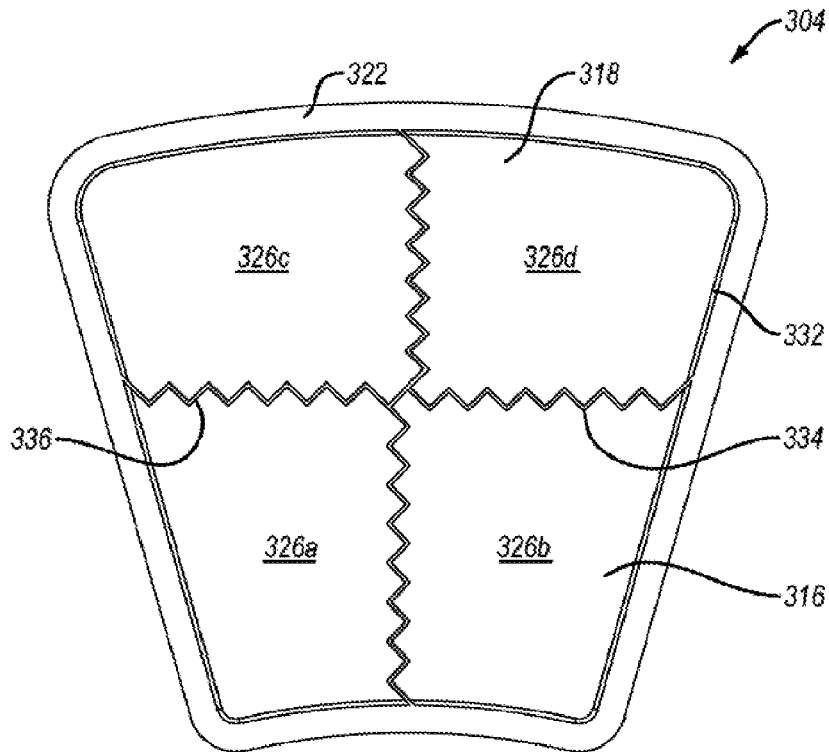


Fig. 3

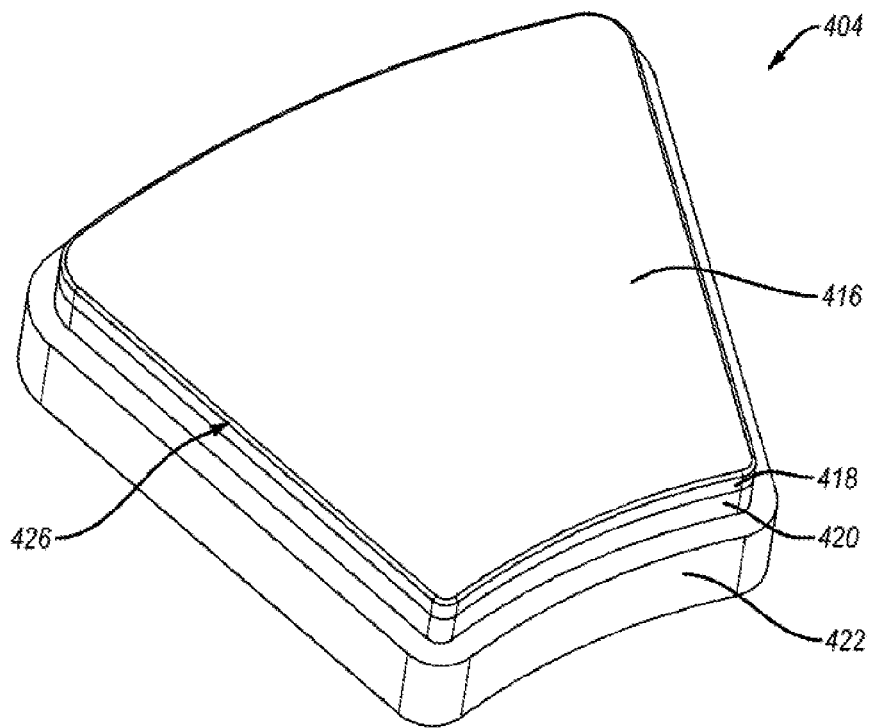


Fig. 4

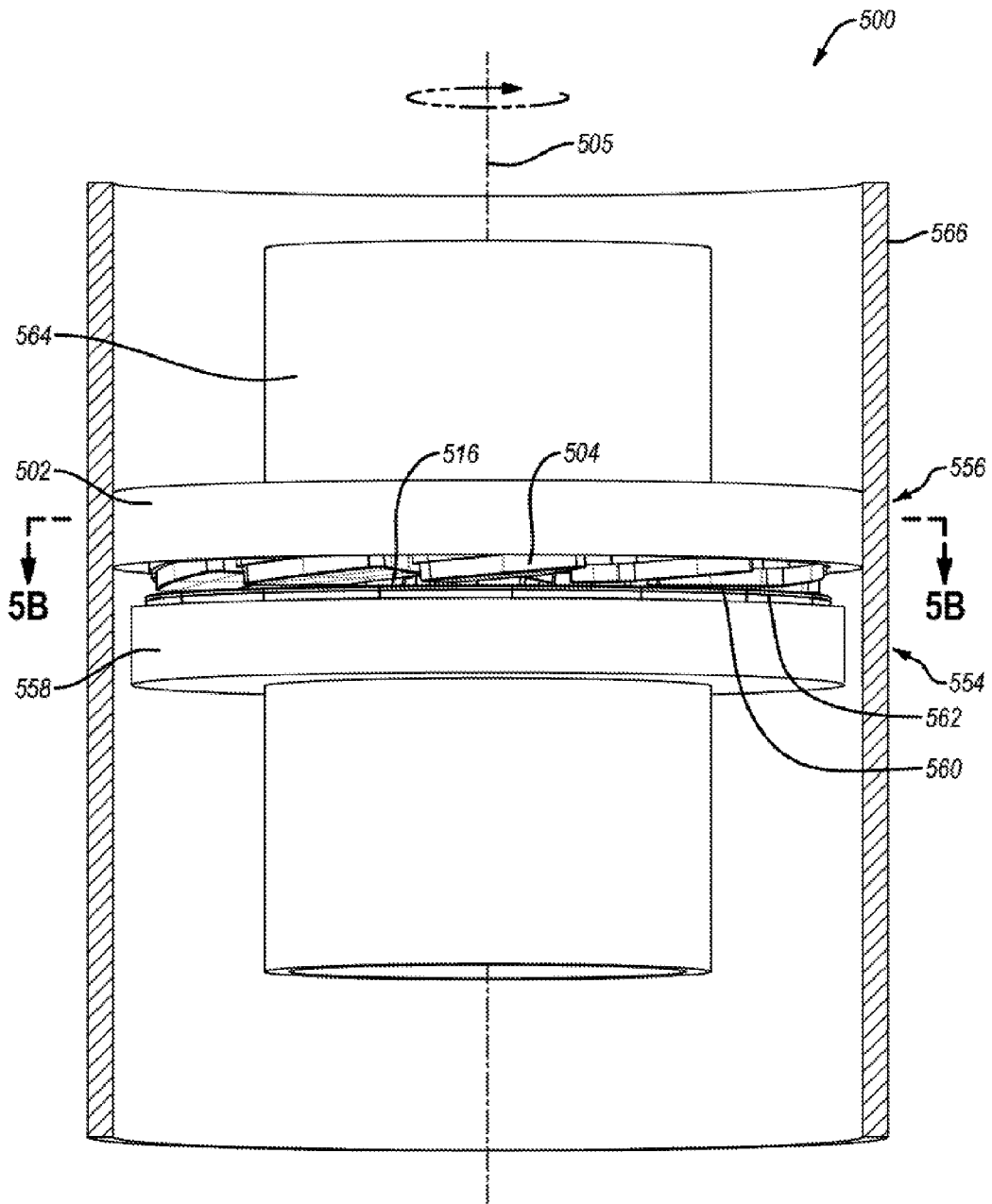


Fig. 5A

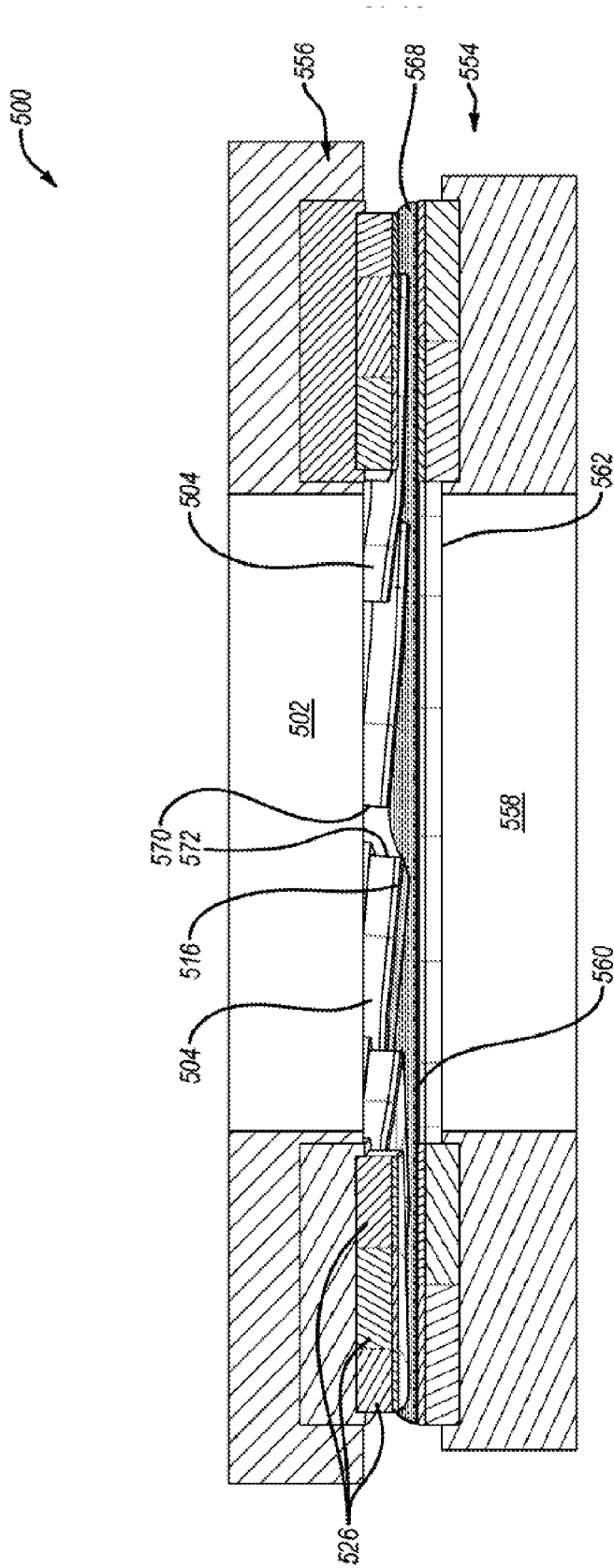


Fig. 5B

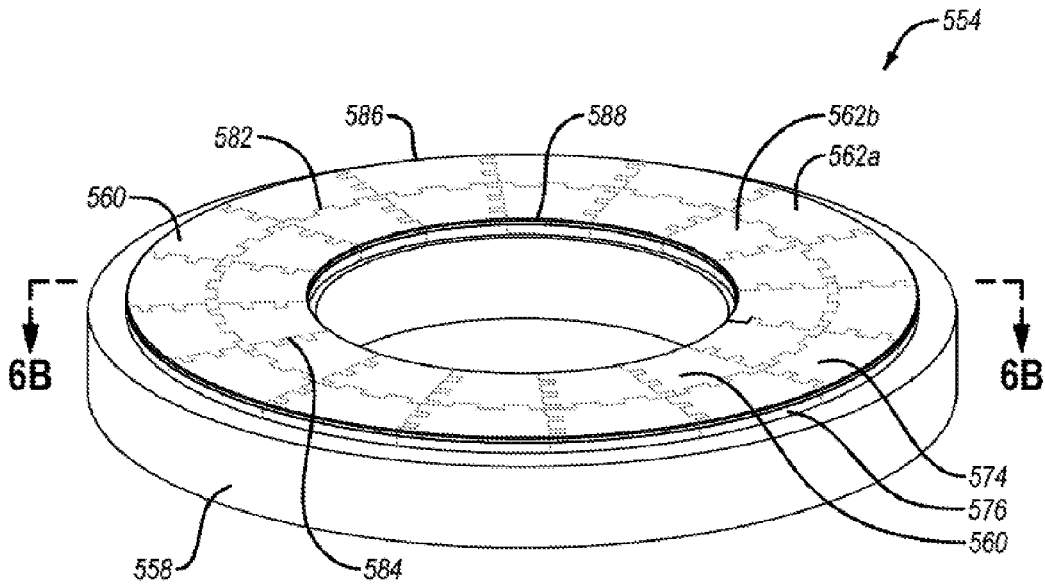


Fig. 6A

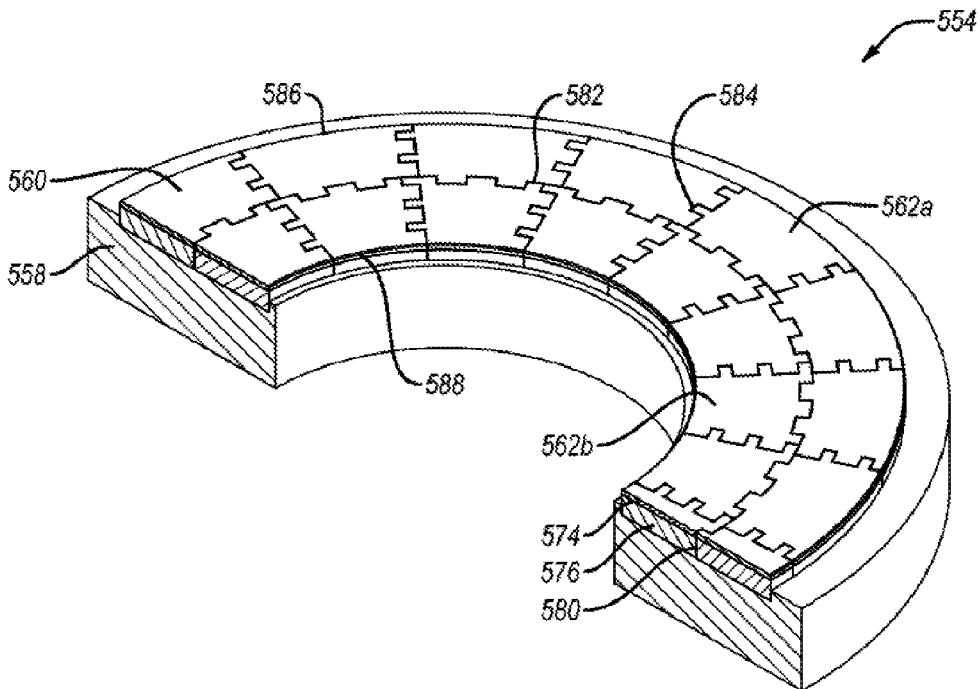


Fig. 6B

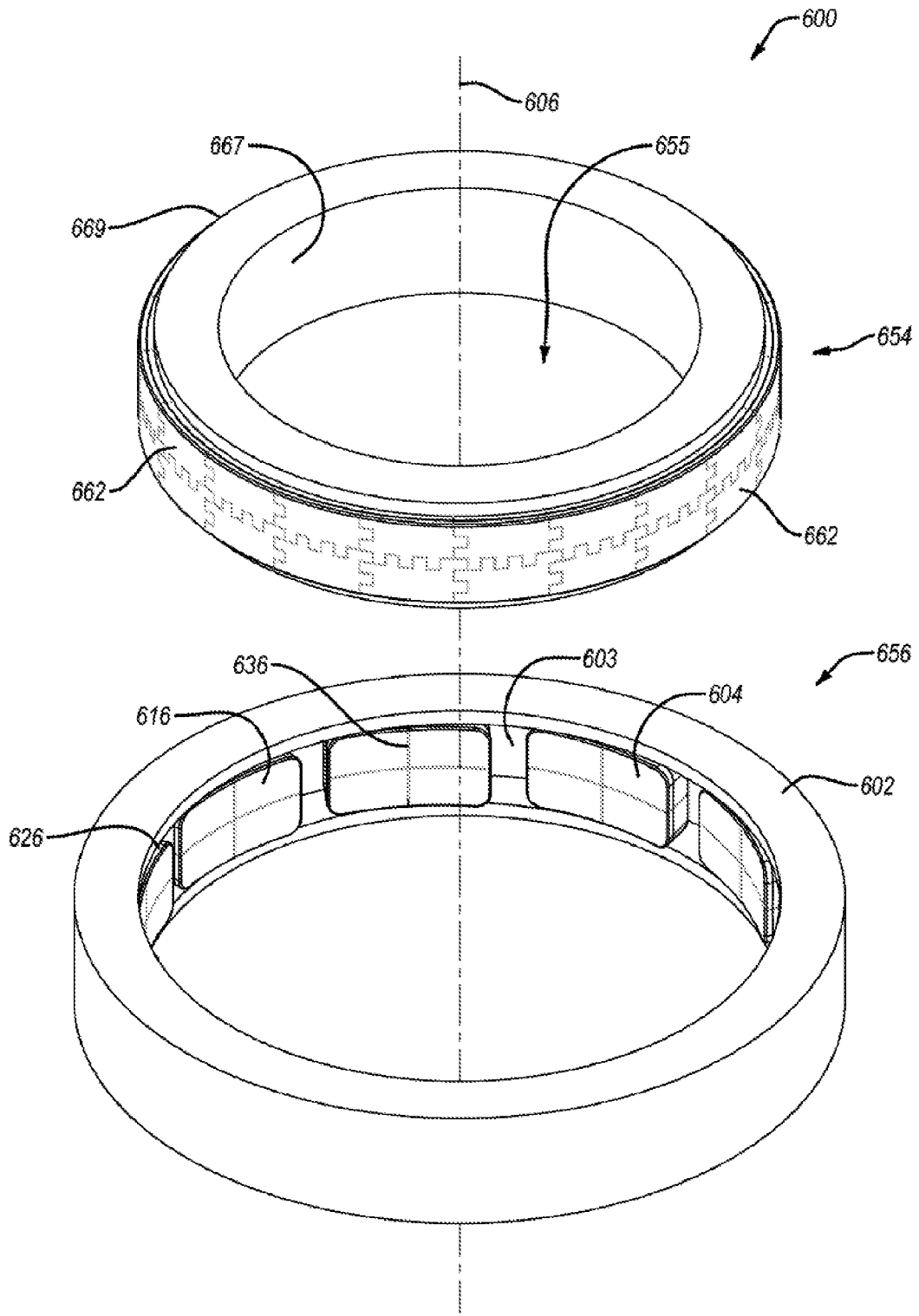


Fig. 7A

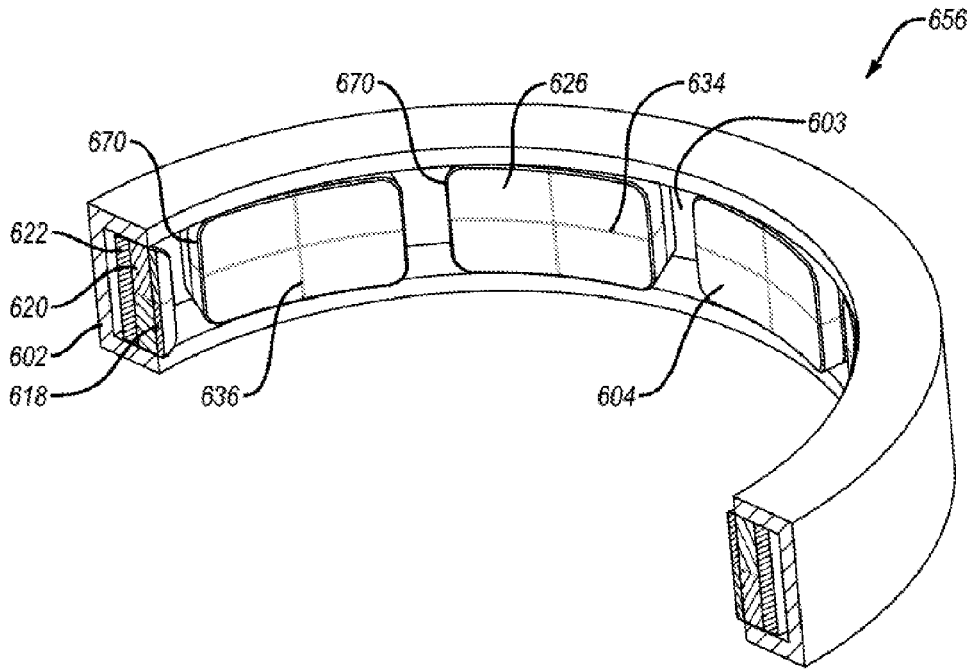


Fig. 7B

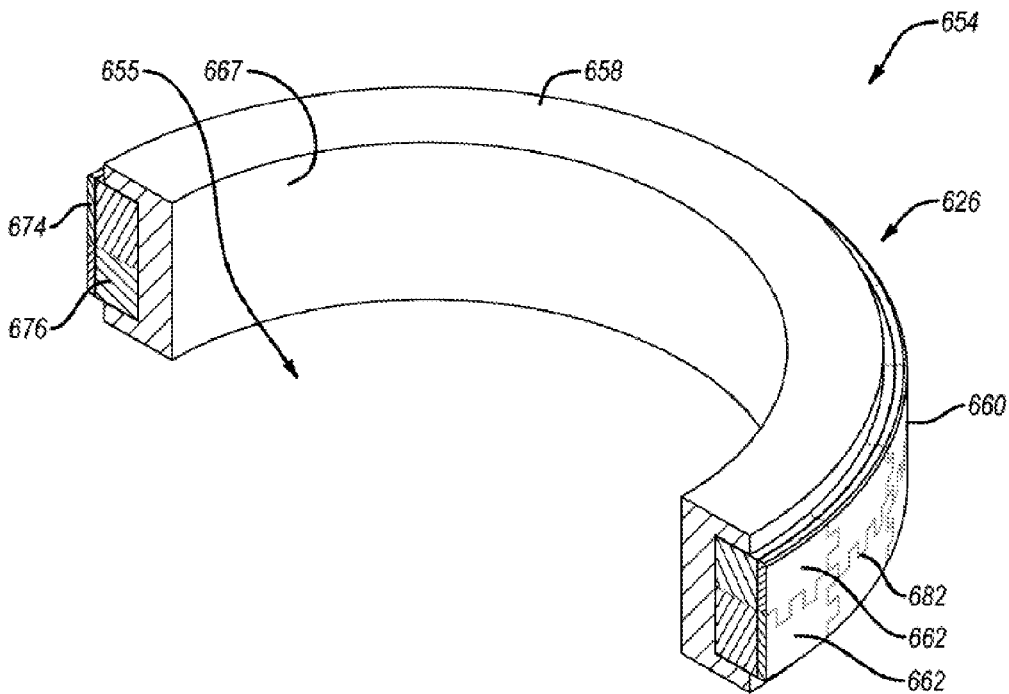


Fig. 7C

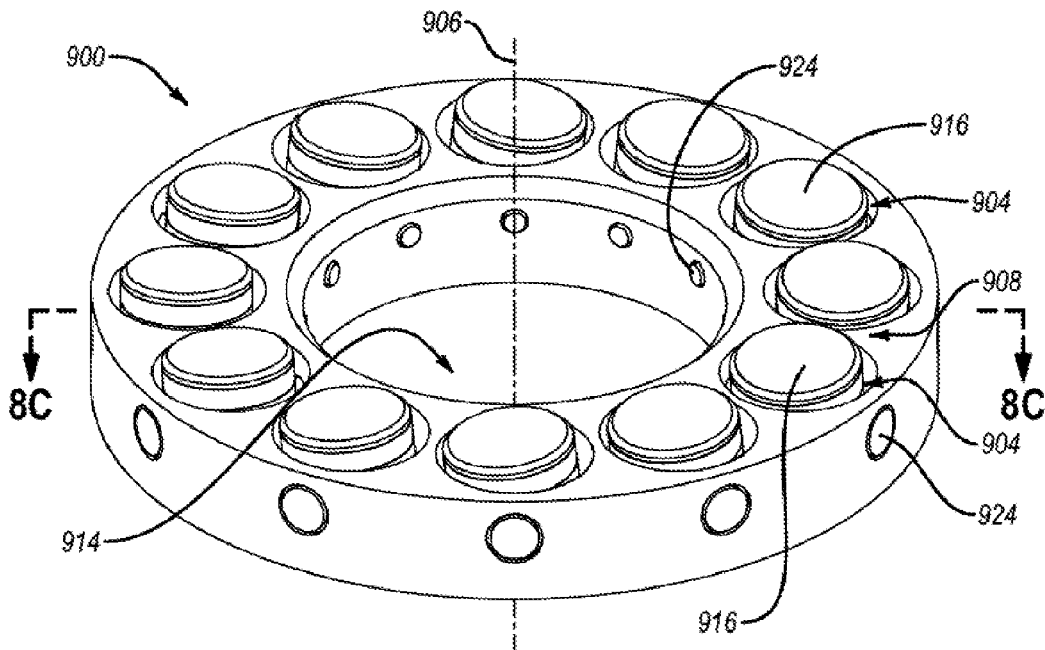


Fig. 8A

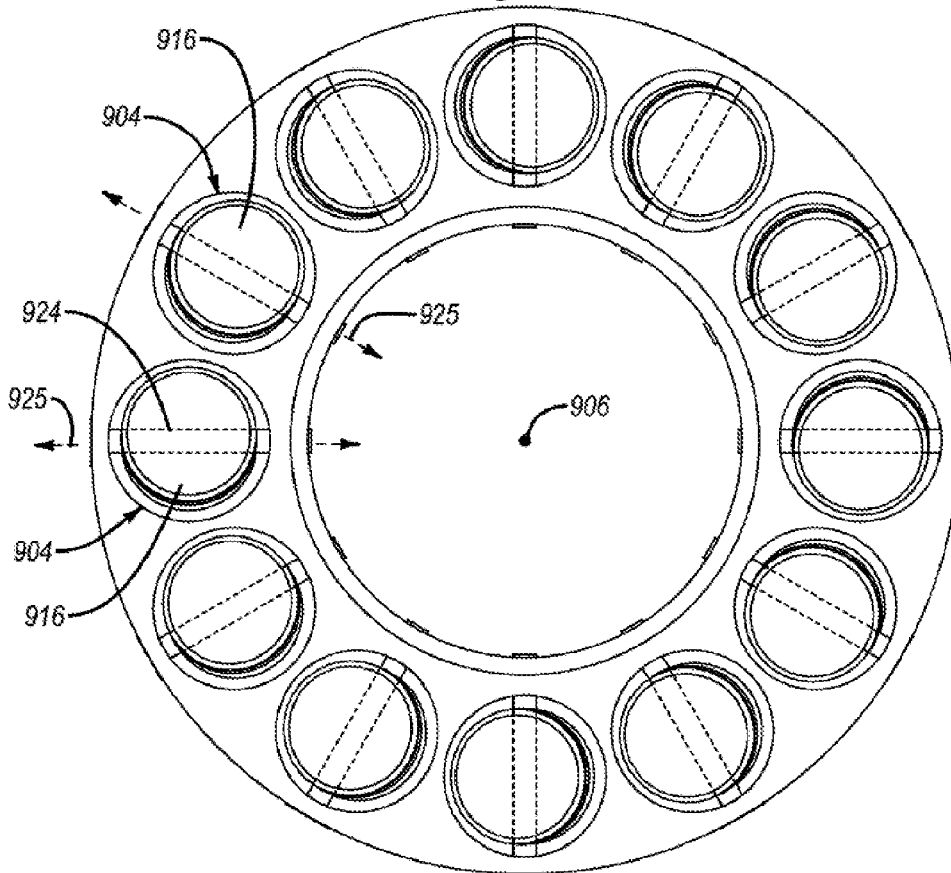


Fig. 8B

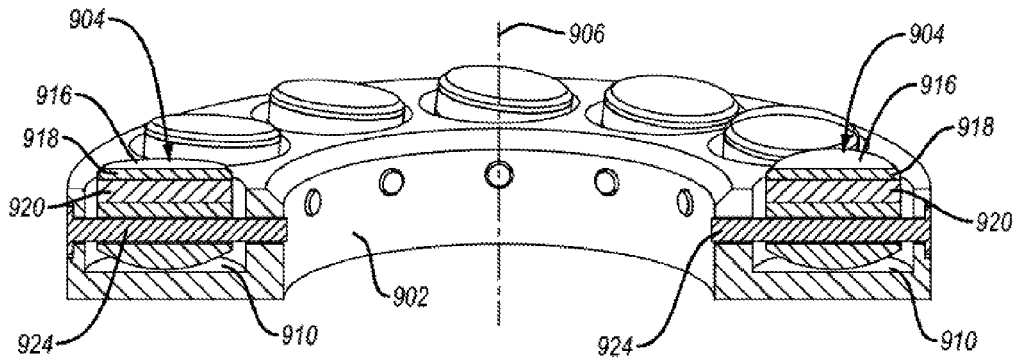


Fig. 8C

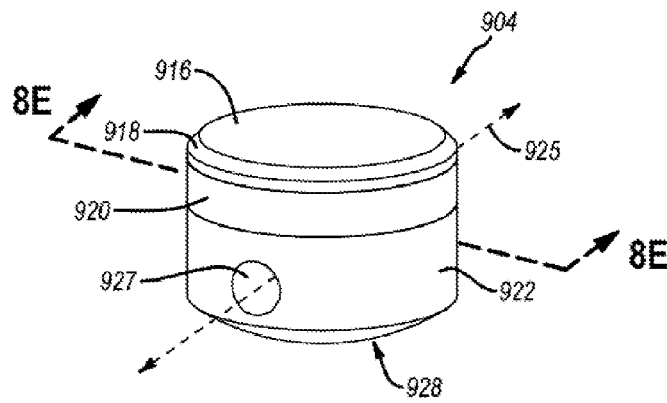


Fig. 8D

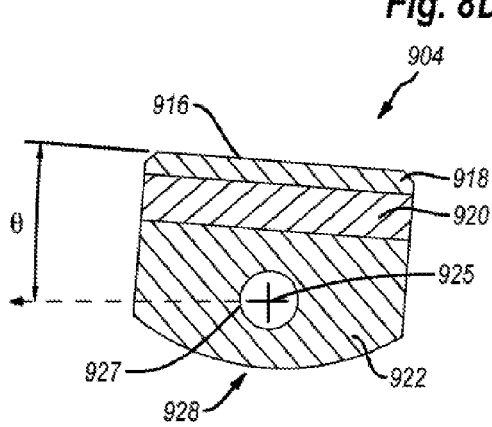


Fig. 8E

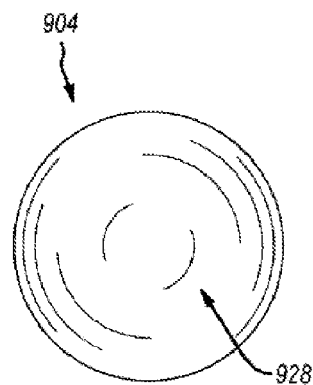


Fig. 8F

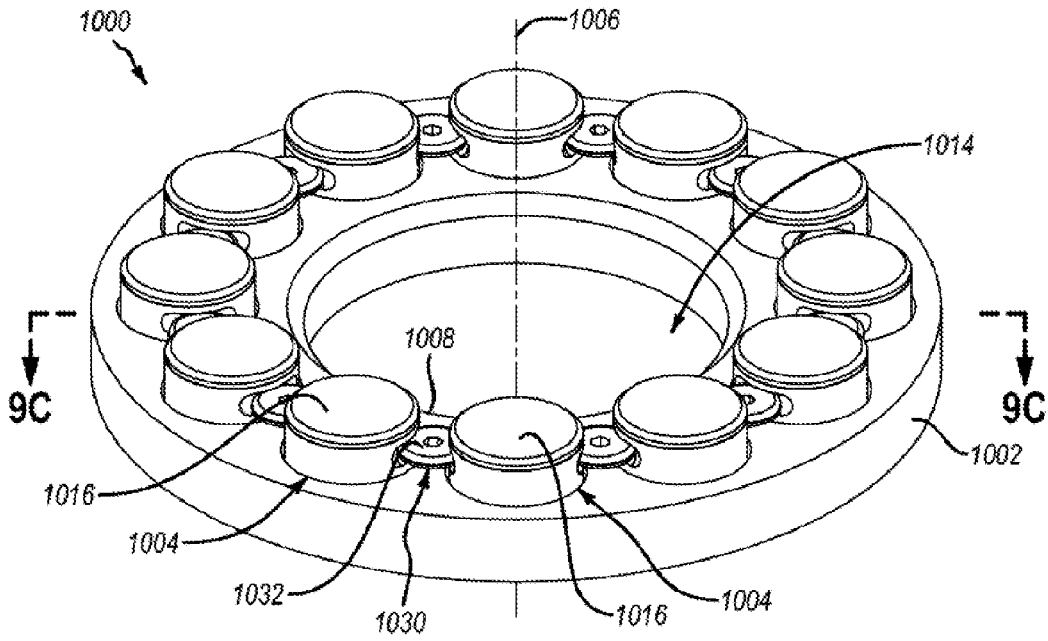


Fig. 9A

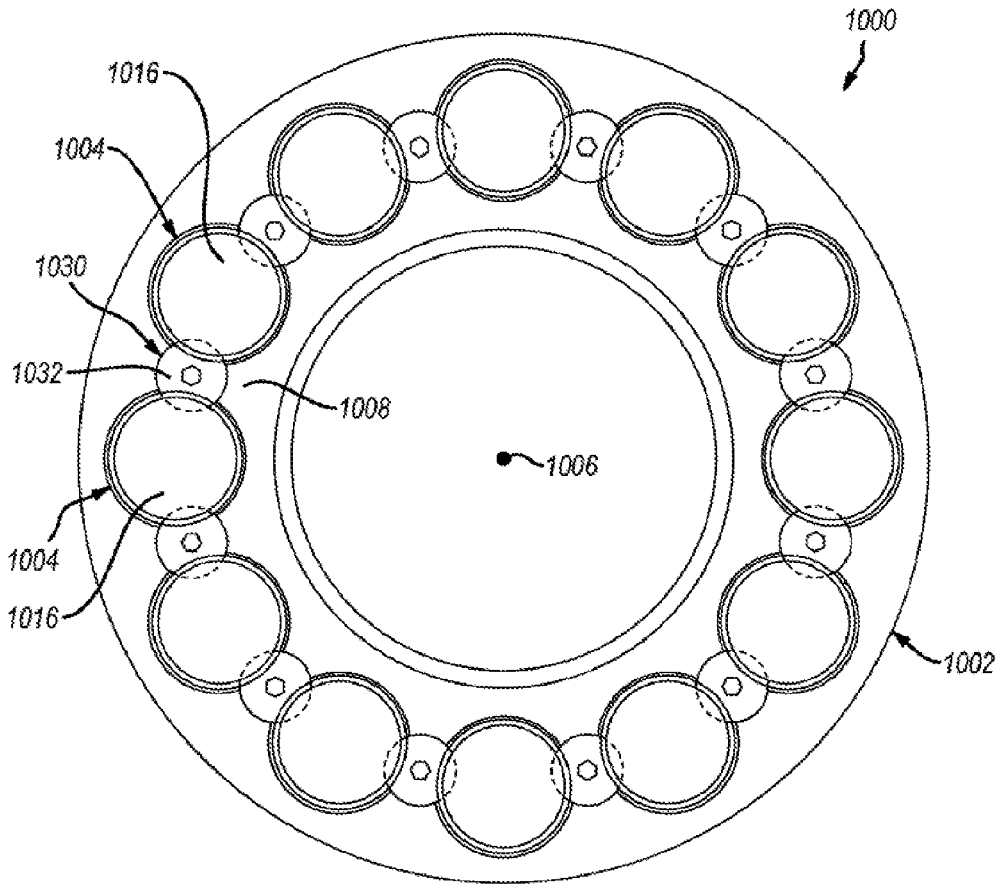


Fig. 9B

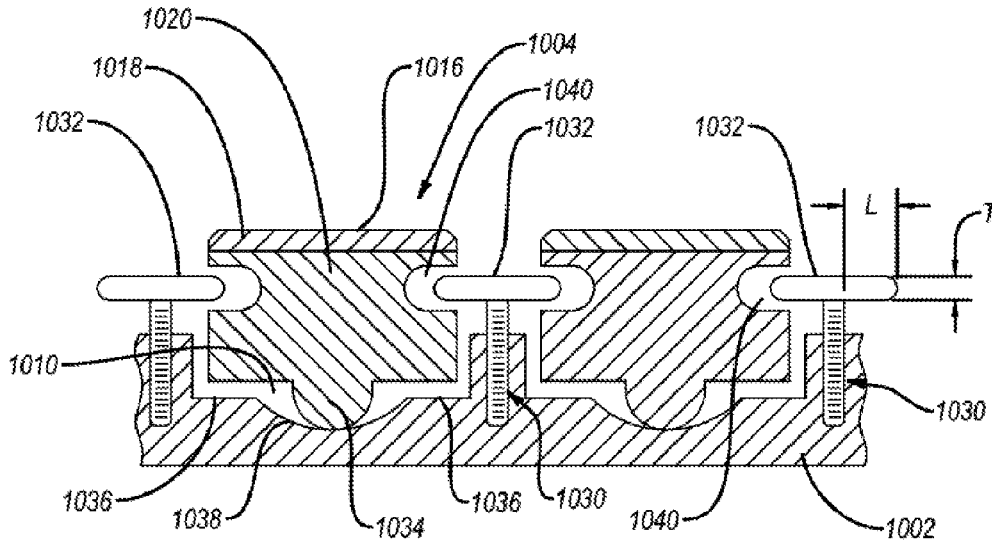


Fig. 9C

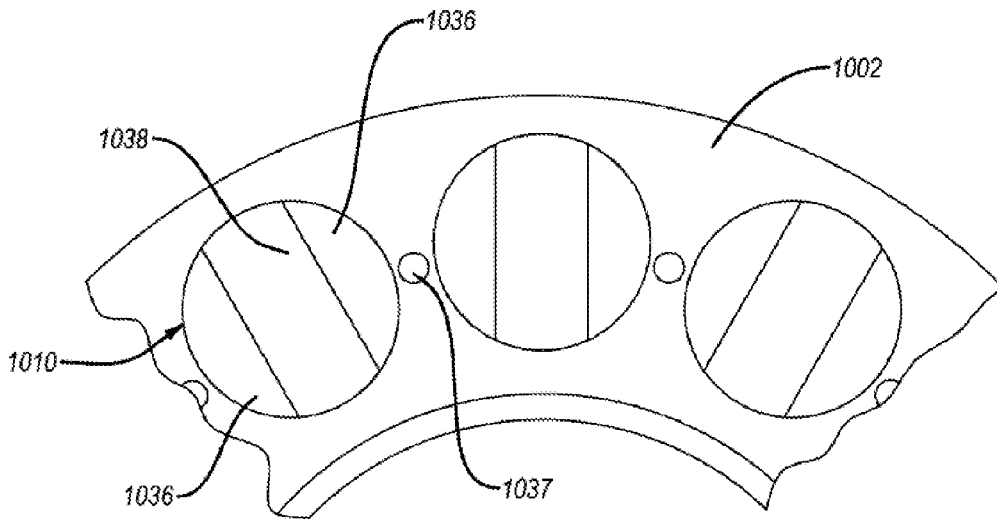


Fig. 9D

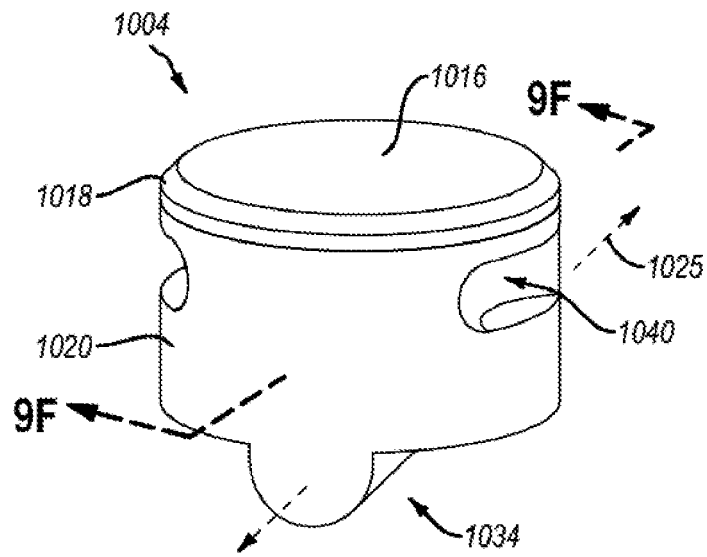


Fig. 9E

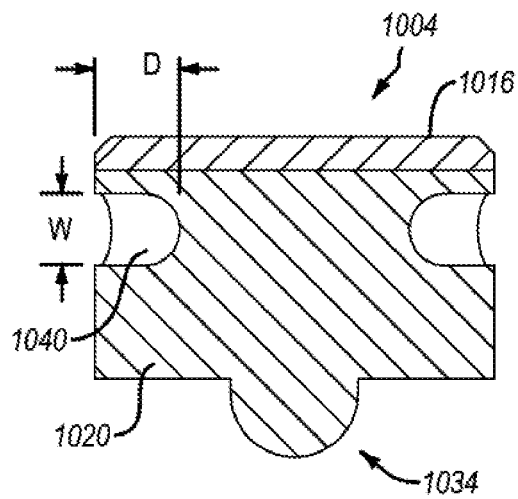


Fig. 9F

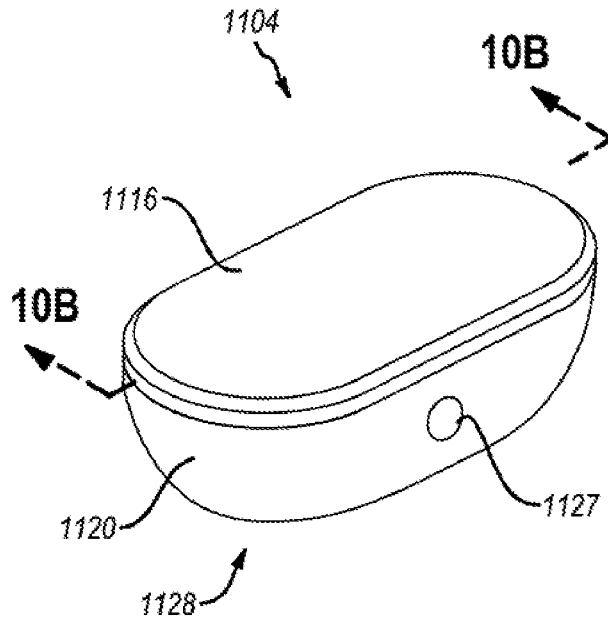


Fig. 10A

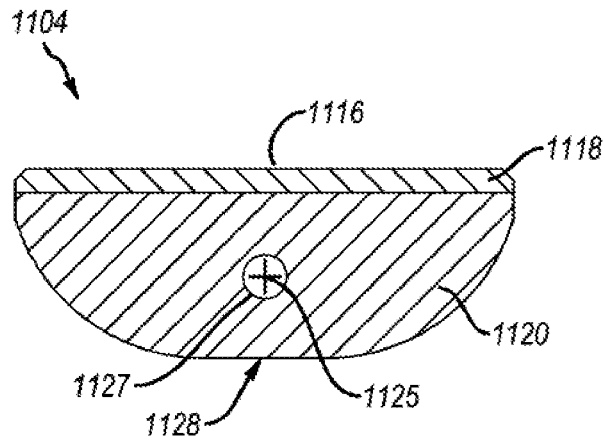


Fig. 10B

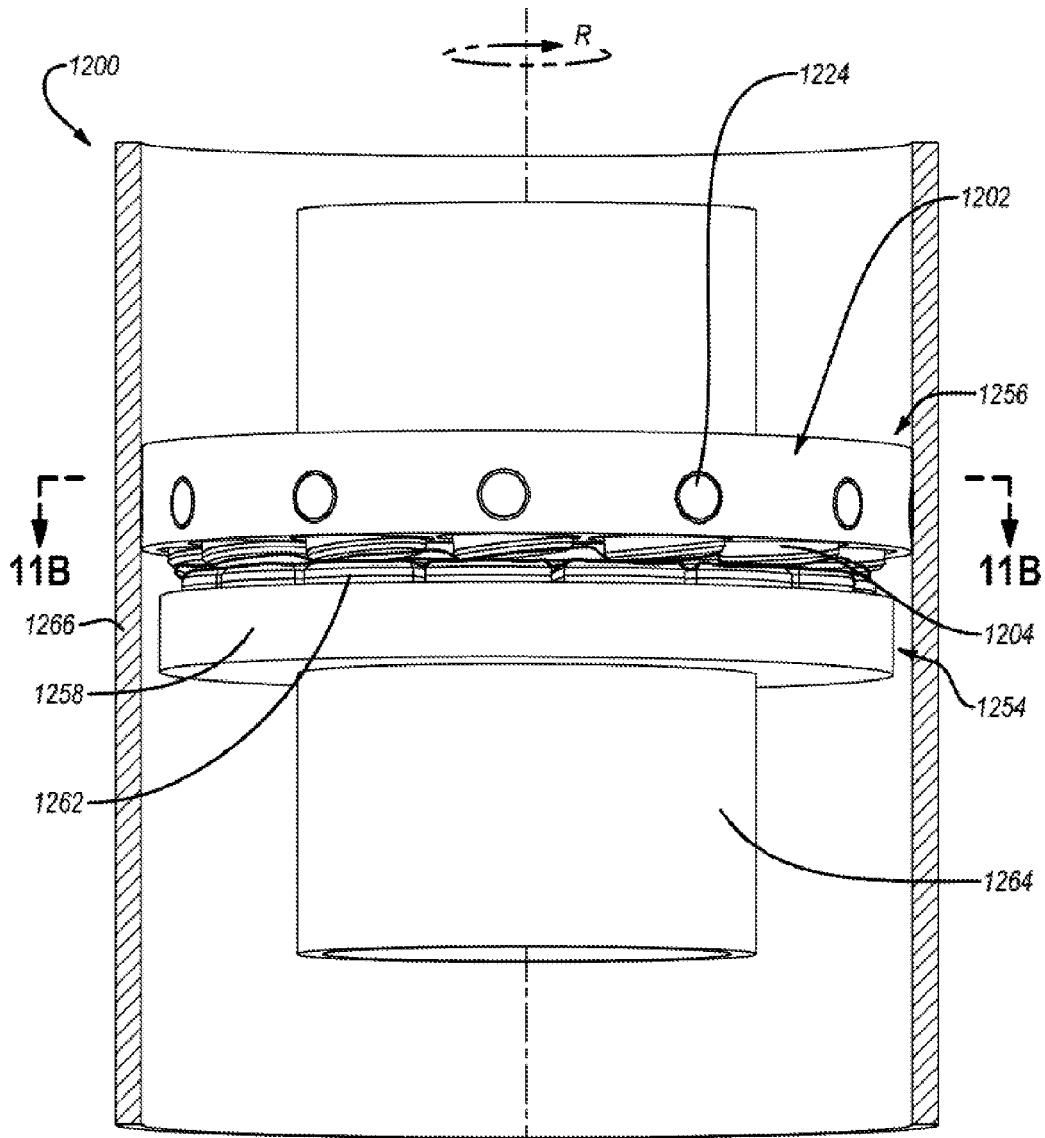


Fig. 11A

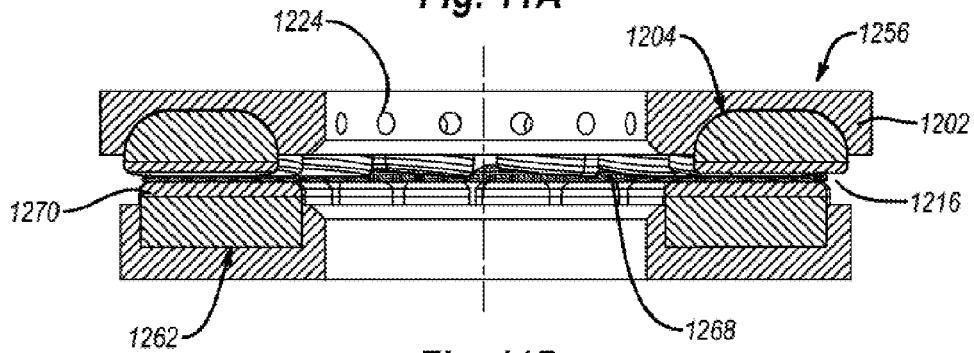


Fig. 11B

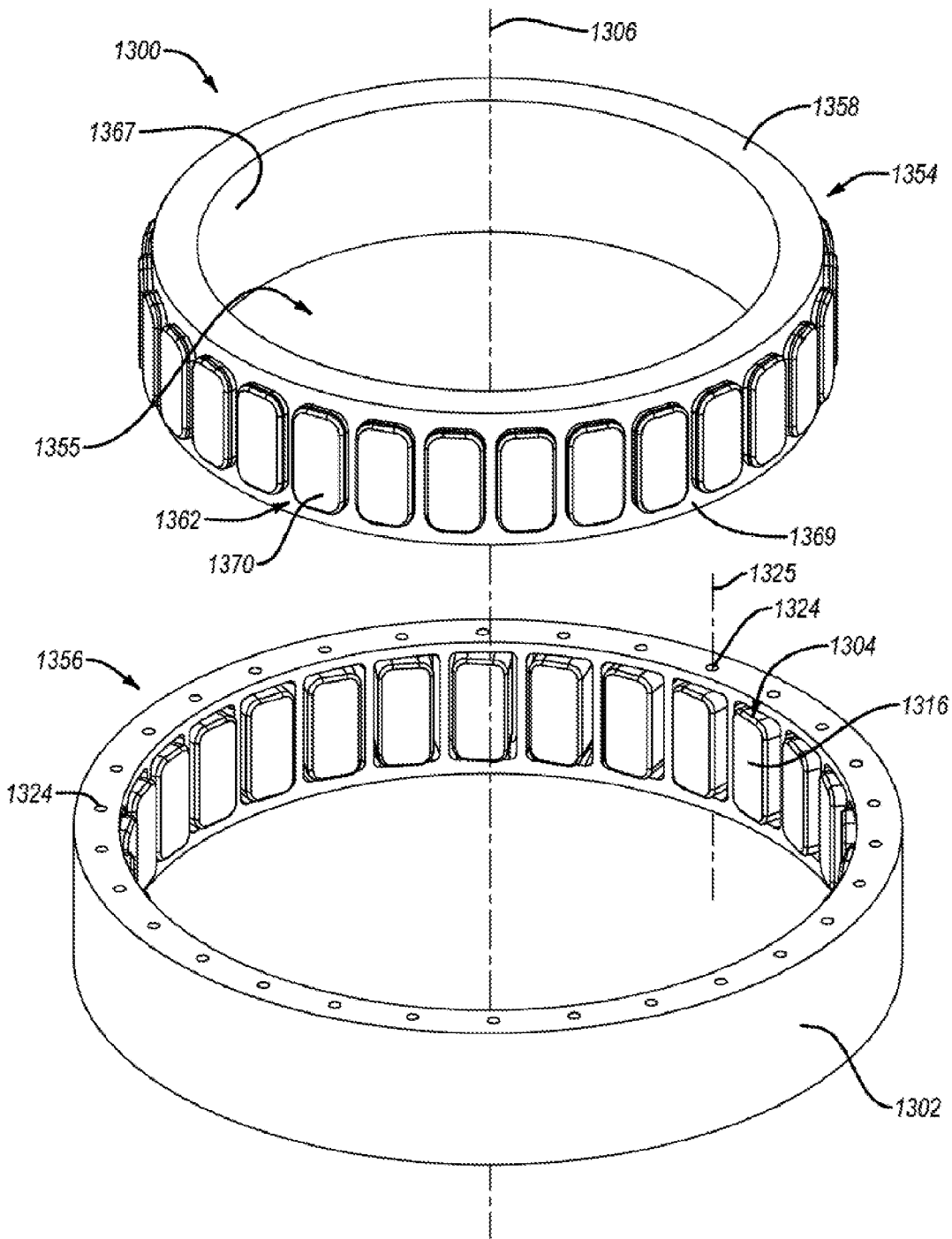


Fig. 12A

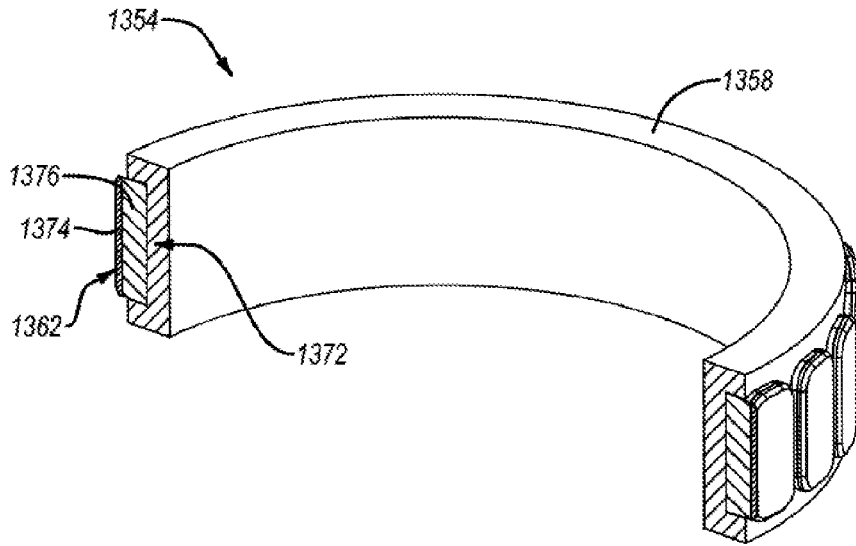


Fig. 12B

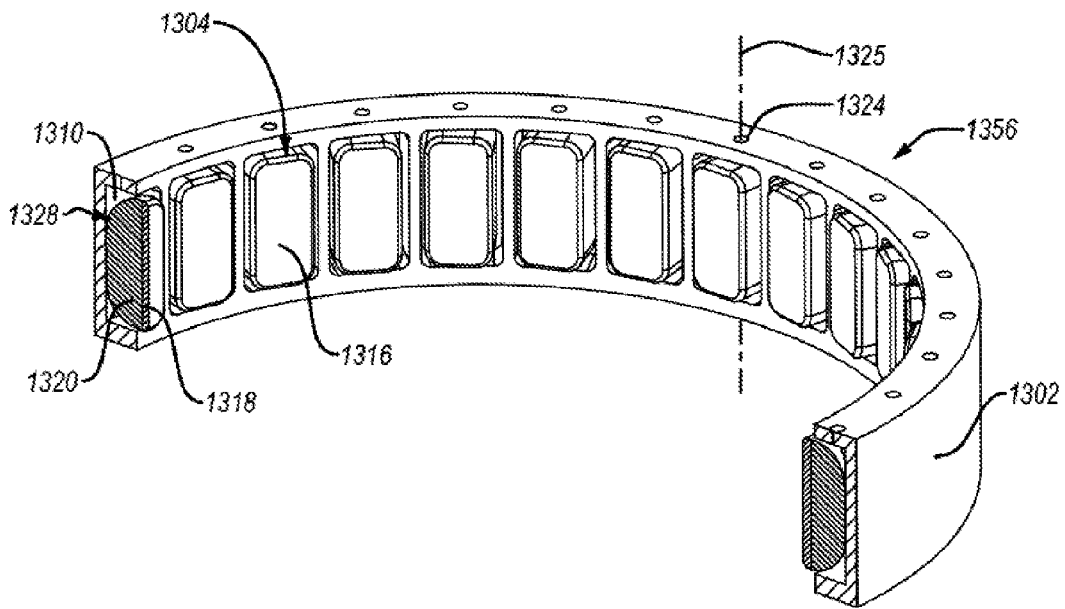


Fig. 12C

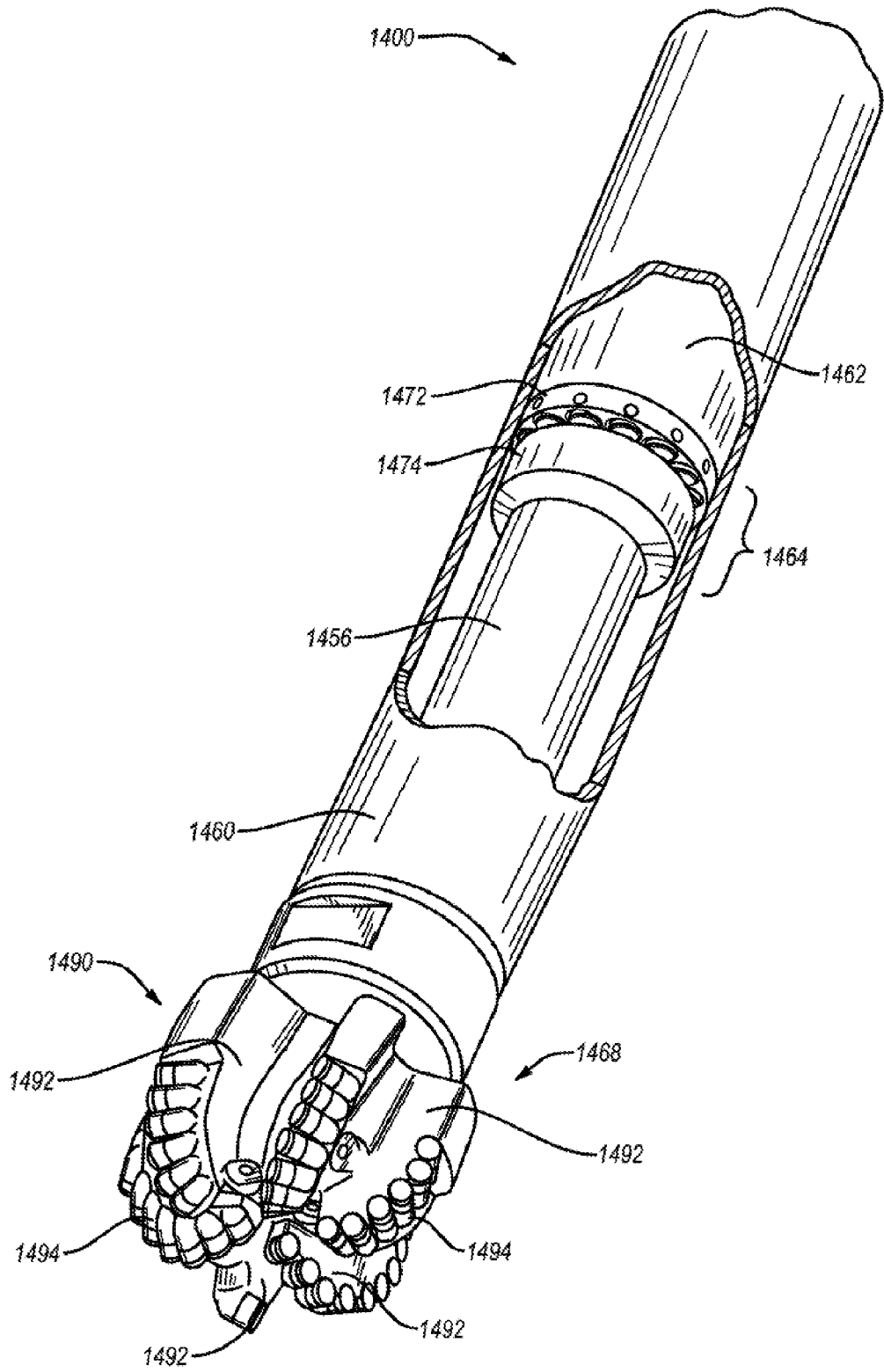


Fig. 13

**BEARING ASSEMBLIES AND APPARATUSES
INCLUDING TILTING SUPERHARD
BEARING ELEMENTS, AND MOTOR
ASSEMBLIES USING THE SAME**

**CROSS-REFERENCE TO RELATED
APPLICATIONS**

[0001] This application is a continuation of U.S. application Ser. No. 14/134,841 filed on 19 Dec. 2013, which is a continuation of U.S. application Ser. No. 13/550,831 filed on 17 Jul. 2012 (now U.S. Pat. No. 8,651,743 issued on 18 Feb. 2014), which is a continuation-in-part of U.S. application Ser. No. 13/089,725 filed on 19 Apr. 2011 (now U.S. Pat. No. 8,545,103 issued on 1 Oct. 2013), the disclosure of each of the foregoing applications is incorporated herein, in its entirety, by this reference.

BACKGROUND

[0002] Wear-resistant, superhard compacts are utilized in a variety of mechanical applications. For example, polycrystalline diamond compacts (“PDCs”) are used in drilling tools (e.g., cutting elements, gage trimmers, etc.), machining equipment, bearing apparatuses, wire-drawing machinery, and in other mechanical apparatuses.

[0003] PDCs have found particular utility as superhard bearing elements in fixed-position thrust bearings within subterranean drilling systems. A PDC bearing element typically includes a superhard diamond layer commonly referred to as a diamond table. The diamond table is formed and bonded to a substrate using a high-pressure/high-temperature (“HPHT”) process.

[0004] A fixed-position thrust-bearing apparatus includes a number of PDC bearing elements affixed to a support ring. The PDC bearing elements bear against PDC bearing elements of an adjacent bearing assembly during use. PDC bearing elements are typically brazed directly into a preformed recess formed in a support ring of a fixed-position thrust bearing.

SUMMARY

[0005] Embodiments of the invention relate to bearing assemblies and apparatuses that utilize individual superhard bearing elements as tilting bearing elements. The disclosed bearing assemblies and apparatuses may be employed in bearing apparatuses for use in downhole motors of a subterranean drilling system or other mechanical systems.

[0006] In an embodiment, a bearing assembly may include a support ring and a plurality of superhard bearing elements each of which is tilted and/or tiltably secured relative to the support ring and distributed circumferentially about an axis. Each of the superhard bearing elements may include a bearing surface and a base portion. The base portion of at least one of the superhard bearing elements may include a tilting feature configured to allow the at least one of the superhard bearing elements to be tiltably about a tilt axis. The bearing assembly includes a plurality of retaining features that secure the superhard bearing elements to the support ring such that the superhard bearing elements are tilted and/or tiltably secured to the support ring. In an embodiment, the tilting feature may include a pivot, such as a generally hemispherical or rocker pivot.

[0007] In another embodiment, a bearing apparatus includes a rotor and a stator. The rotor or stator may include any of the bearing assembly embodiments disclosed herein.

[0008] Other embodiments are directed to motor assemblies including any of the bearing assembly and apparatus embodiments disclosed herein.

[0009] Features from any of the disclosed embodiments may be used in combination with one another, without limitation. In addition, other features and advantages of the present disclosure will become apparent to those of ordinary skill in the art through consideration of the following detailed description and the accompanying drawings.

BRIEF DESCRIPTION OF THE DRAWINGS

[0010] The drawings illustrate several embodiments of the present disclosure, wherein identical reference numerals refer to identical or similar elements or features in different views or embodiments shown in the drawings.

[0011] FIG. 1A is an isometric view of a hydrodynamic tilting pad thrust-bearing assembly according to an embodiment.

[0012] FIG. 1B is an isometric partial cross-sectional view taken along line 1B-1B of the hydrodynamic tilting pad thrust-bearing assembly shown in FIG. 1A.

[0013] FIG. 1C is an isometric view of one of the tilting pads shown in FIGS. 1A and 1B, the tilting pad being segmented into multiple segments having substantially planar adjoining ends according to an embodiment.

[0014] FIG. 1D is a cross-sectional view taken along line 1D-1D of the bearing tilting pad shown in FIG. 1C.

[0015] FIG. 2A is an isometric view of three adjacent superhard bearing segments of a tilting pad, the superhard bearing segments having slotted ends forming a set of seams between the three depicted superhard bearing segments according to an embodiment.

[0016] FIG. 2B is a top plan view of the tilting pad of FIG. 2A, the tilting pad being fully assembled and including six superhard bearing segments defining seams therebetween.

[0017] FIG. 3 is a top plan view of a tilting pad comprising multiple segments having serrated ends that form seams between the multiple segments according to another embodiment.

[0018] FIG. 4 is an isometric view of a tilting pad comprising a unitary superhard bearing element according to another embodiment.

[0019] FIG. 5A is an isometric cutaway view of a hydrodynamic tilting pad thrust-bearing apparatus that may employ any of the disclosed hydrodynamic tilting pad thrust-bearing assemblies according to an embodiment, with a housing thereof shown in cross-section.

[0020] FIG. 5B is an isometric cross-sectional view of the hydrodynamic tilting pad thrust-bearing apparatus taken along line 5B-5B of FIG. 5A showing a fluid film that develops between tilting pads of a stator and a substantially continuous superhard bearing element of a rotor.

[0021] FIG. 6A is an isometric view of a runner of a hydrodynamic tilting pad thrust-bearing assembly according to one embodiment.

[0022] FIG. 6B is an isometric partial cross-sectional view taken along the line 6B-6B of FIG. 6A.

[0023] FIG. 7A is an exploded isometric view of a hydrodynamic tilting pad radial bearing apparatus that may use teachings of any of the disclosed hydrodynamic tilting pad thrust-bearing assemblies according to an embodiment.

[0024] FIG. 7B is an isometric partial cross-sectional view of radial tilting pad stator of the hydrodynamic tilting pad radial bearing apparatus of FIG. 7A according to an embodiment.

[0025] FIG. 7C is an isometric partial cross-sectional view of a rotor of the hydrodynamic tilting pad radial bearing apparatus of FIG. 7A according to an embodiment.

[0026] FIG. 8A is an isometric view of a thrust-bearing assembly according to an embodiment.

[0027] FIG. 8B is a top plan view of the thrust-bearing assembly shown in FIG. 8A.

[0028] FIG. 8C is an isometric partial cross-sectional view taken along line 8C-8C of the thrust-bearing assembly shown in FIG. 8A.

[0029] FIG. 8D is an isometric view of one of the tilting bearing elements shown in FIG. 8A according to an embodiment.

[0030] FIG. 8E is a cross-sectional view taken along line 8E-8E of the tilting bearing element shown in FIG. 8D.

[0031] FIG. 8F is a bottom plan view of the tilting bearing element shown in FIG. 8D.

[0032] FIG. 9A is an isometric view of a thrust-bearing assembly according to another embodiment.

[0033] FIG. 9B is a top plan view of the thrust-bearing assembly shown in FIG. 9A.

[0034] FIG. 9C is a partial cross-sectional view taken along line 9C-9C of the thrust-bearing assembly shown in FIG. 9A.

[0035] FIG. 9D is a top partial plan view of the support ring shown in FIG. 9A.

[0036] FIG. 9E is an isometric view of one of the tilting bearing elements shown in FIG. 9A according to an embodiment.

[0037] FIG. 9F is a cross-sectional view taken along line 9F-9F of the tilting bearing element shown in FIG. 9E.

[0038] FIG. 10A is an isometric view of a tilting bearing element according to another embodiment.

[0039] FIG. 10B is a cross-sectional view taken along line 10B-10B of the tilting bearing element shown in FIG. 10A.

[0040] FIG. 11A is an isometric cutaway view of a thrust-bearing apparatus that may employ any of the disclosed thrust-bearing assemblies according to another embodiment.

[0041] FIG. 11B is an isometric cross-sectional view of the thrust-bearing apparatus taken along line 11B-11B of FIG. 11A according to an embodiment.

[0042] FIG. 12A is an isometric exploded view of a radial bearing apparatus according to another embodiment.

[0043] FIG. 12B is an isometric partial cross-sectional view of a stator of the radial bearing apparatus of FIG. 12A according to an embodiment.

[0044] FIG. 12C is an isometric partial cross-sectional view of a rotor of the radial bearing apparatus of FIG. 12A according to an embodiment.

[0045] FIG. 13 is a schematic isometric cutaway view of a subterranean drilling system including one of the disclosed thrust-bearing apparatuses according to another embodiment.

DETAILED DESCRIPTION

[0046] Embodiments of the invention relate to bearing assemblies and apparatuses that utilize individual superhard bearing elements as tilting bearing elements, which may be operated hydrodynamically. The disclosed tilting pad bearing assemblies and apparatuses may be employed in downhole motors of a subterranean drilling system or other mechanical systems. Motor assemblies including at least one of such

bearing assemblies or apparatus are also disclosed, as well as methods of fabricating such bearing assemblies and apparatuses utilizing superhard compacts.

[0047] While the description herein provides examples relative to a subterranean drilling and motor assembly, the tilting pad bearing assembly and apparatus embodiments disclosed herein may be used in any number of applications. For instance, tilting pad bearing assemblies and apparatuses may be used in pumps, motors, compressors, turbines, generators, gearboxes, and other systems and apparatuses, or in any combination of the foregoing. Furthermore, while the embodiments disclosed herein are described as being operated hydrodynamically, the tilting pad bearing assemblies and apparatuses may also be operated partially hydrodynamically or not hydrodynamically, if desired or needed.

[0048] FIGS. 1A and 1B are isometric and isometric partial cross-sectional views, respectively, of a hydrodynamic tilting pad thrust-bearing assembly 100 according to an embodiment. The bearing assembly 100 includes a support ring 102 that carries a plurality of circumferentially-spaced tilting pads 104. The tilting pads 104 may include, for instance, fixed tilting pads, adjustable tilting pads, self-establishing tilting pads, other bearing pads or elements, or combinations of the foregoing.

[0049] The tilting pads 104 of the illustrated embodiment generally have a truncated pie-shaped geometry or a generally trapezoidal geometry, and may be distributed about a thrust axis 106, along which a thrust force may be generally directed during use. Each tilting pad 104 may be located circumferentially adjacent to another tilting pad 104, with a gap 108 or other offset therebetween. For instance, the gap 108 may separate adjacent tilting pads 104 by a distance of about 2.0 mm to about 20.0 mm, or more particularly a distance of about 3.5 mm to about 15 mm, although the separation distance may be greater or smaller. For instance, as the size of the hydrodynamic tilting pad bearing assembly 100 increases, the size of the tilting pads 104 and/or the size of the gaps 108 may also increase. Each tilting pad 104 includes a discrete superhard bearing surface 116, such that the tilting pads 104 collectively provide a non-continuous superhard bearing surface. The term "superhard," as used herein, means a material having a hardness at least equal to a hardness of tungsten carbide.

[0050] To support the tilting pads 104 of the bearing assembly 100, the support ring 102 may define a channel 110 and the tilting pads 104 may be placed within the channel 110. In other embodiments, the support ring 102 may define multiple pockets or otherwise define locations for the tilting pads 104. The tilting pads 104 may then be supported or secured within the support ring 102 in any suitable manner. For instance, as discussed hereafter, a pivotal connection may be used to secure the tilting pads 104 within the support ring 102, although any other suitable securement or attachment mechanism may also be utilized. The support ring 102 may also include an inner, peripheral surface defining an aperture 114. The aperture 114 may be generally centered about the thrust axis 106, and may be adapted to receive a shaft (e.g., a downhole drilling motor shaft).

[0051] As best shown in FIG. 1B, each tilting pad 104 may include a plurality of superhard bearing segments having a plurality of materials, layers, segments, or other elements, or any combination of the foregoing. For instance, as discussed in greater detail herein, the tilting pads 104 may be composed of multiple superhard bearing segments. In such an embodi-

ment, multiple individual segments may be arranged relative to each other to collectively define a hydrodynamic superhard bearing surface **116** for each tilting pad **104**.

[0052] Each tilting pad **104** optionally includes multiple layers or other components. For instance, each segment of the tilting pad **104** may be a superhard compact that includes a superhard table **118** bonded to a substrate **120**. The superhard table **118** may be at least partially made from a number of different superhard materials. Suitable materials for use in the superhard table **118** include natural diamond, sintered PCD, polycrystalline cubic boron nitride, diamond grains bonded together with silicon carbide, or combinations of the foregoing. In an embodiment, the superhard table **118** is a PCD table that includes a plurality of directly bonded-together diamond grains exhibiting diamond-to-diamond bonding therebetween (e.g., sp^3 bonding), which define a plurality of interstitial regions. A portion of, or substantially all of, the interstitial regions of such a superhard table **118** may include a metal-solvent catalyst or a metallic infiltrant disposed therein that is infiltrated from the substrate **120** or from another source. For example, the metal-solvent catalyst or metallic infiltrant may be selected from iron, nickel, cobalt, and alloys of the foregoing. The superhard table **118** may further include thermally-stable diamond in which the metal-solvent catalyst or metallic infiltrant has been partially or substantially completely depleted from a selected surface or volume of the superhard table **118** using, for example, an acid leaching process.

[0053] For example, appropriately configured PDCs may be used as the tilting pads **104**, which may be formed in an HPHT processes. For example, diamond particles may be disposed adjacent to the substrate **120**, and subjected to an HPHT process to sinter the diamond particles to form a PCD table that bonds to the substrate thereby forming the PDC. The temperature of the HPHT process may be at least about 1000°C . (e.g., about 1200°C . to about 1600°C .) and the cell pressure of the HPHT process may be at least 4.0 GPa (e.g., about 5.0 GPa to about 12 GPa or about 7.5 GPa to about 11 GPa) for a time sufficient to sinter the diamond particles.

[0054] The diamond particles may exhibit an average particle size of about 50 μm or less, such as about 30 μm or less, about 20 μm or less, about 10 μm to about 18 μm , or about 15 μm to about 18 μm . In some embodiments, the average particle size of the diamond particles may be about 10 μm or less, such as about 2 μm to about 5 μm or submicron. In some embodiments, the diamond particles may comprise a relatively larger size and at least one relatively smaller size. As used herein, the phrases “relatively larger” and “relatively smaller” refer to particle sizes (by any suitable method) that differ by at least a factor of two (e.g., 30 μm and 15 μm). According to various embodiments, the mass of diamond particles may include a portion exhibiting a relatively larger size (e.g., 30 μm , 20 μm , 15 μm , 12 μm , 10 μm , 8 μm) and another portion exhibiting at least one relatively smaller size (e.g., 6 μm , 5 μm , 4 μm , 3 μm , 2 μm , 1 μm , 0.5 μm , less than 0.5 μm , 0.1 μm , less than 0.1 μm). In one embodiment, the diamond particles may include a portion exhibiting a relatively larger size between about 10 μm and about 40 μm and another portion exhibiting a relatively smaller size between about 1 μm and 4 μm . In some embodiments, the diamond particles may comprise three or more different sizes (e.g., one relatively larger size and two or more relatively smaller sizes), without limitation. The PCD table so-formed after sintering

may exhibit an average diamond grain size that is the same or similar to any of the foregoing diamond particle sizes and distributions.

[0055] In some embodiments, one or more sp^2 -carbon-containing additives may be mixed with the diamond particles. For example, the one or more sp^2 -carbon-containing additives may be present in a mixture with the diamond particles in an amount of about 1 weight percent (“wt %”) to about 15 wt %, such as 3 wt % to about 12 wt %, about 4.5 wt % to about 6.5 wt %, about 4.5 wt % to about 5.5 wt, or about 5 wt % of the mixture. The one or more sp^2 -carbon-containing additives may be chosen from graphite, graphene, fullerenes, ultra-dispersed diamond particles, or combinations of the foregoing.

[0056] In an embodiment, the superhard table **118** may be integrally formed with the substrate **120**. For example, the superhard table **118** may be a sintered PCD table that is integrally formed with the substrate **120**. In such an embodiment, the infiltrated metal-solvent catalyst may be used to catalyze formation of diamond-to-diamond bonding between diamond grains of the superhard table **118** from diamond powder during HPHT processing. In another embodiment, the superhard table **118** may be a pre-sintered superhard table that has been HPHT bonded to the substrate **120** in a second HPHT process after being initially formed in a first HPHT process. For example, the superhard table **118** may be a pre-sintered PCD table that has been leached to substantially completely remove metal-solvent catalyst used in the manufacture thereof and subsequently HPHT bonded or brazed to the substrate **120** in a separate process.

[0057] In some embodiments, the superhard table **118** may be leached to deplete a metal-solvent catalyst or a metallic infiltrant therefrom in order to enhance the thermal stability of the superhard table **118**. For example, where the superhard table **118** is a PCD table, the superhard table **118** may be leached to remove at least a portion of the metal-solvent catalyst from a working region thereof to a selected depth that was used to initially sinter the diamond grains to form a leached thermally-stable region. The leached thermally-stable region may extend inwardly from the superhard bearing surface **116** to a selected depth. In one example, the depth of the thermally-stable region may be about 10 μm to about 500 μm . More specifically, in some embodiments, the selected depth is about 50 μm to about 100 μm or about 200 μm to about 350 μm . The leaching may be performed in a suitable acid, such as aqua regia, nitric acid, hydrofluoric acid, or mixtures of the foregoing.

[0058] The substrate **120** may similarly be formed from any number of different materials, and may be integrally formed with, or otherwise bonded or connected to, the superhard table **118**. Materials suitable for the substrate **120** may include, without limitation, cemented carbides, such as tungsten carbide, titanium carbide, chromium carbide, niobium carbide, tantalum carbide, vanadium carbide, or combinations thereof cemented with iron, nickel, cobalt, or alloys thereof. For example, in an embodiment, the substrate **120** comprises cobalt-cemented tungsten carbide. However, in certain embodiments, the superhard tables **118** may be omitted, and each superhard bearing segment may be made from a superhard material, such as cemented tungsten carbide. In other embodiments, the substrate **120** may be omitted and the superhard bearing segment may be a superhard material, such

as a polycrystalline diamond body that has been leached to deplete metal-solvent catalyst therefrom or may be an unleached PCD body.

[0059] In the embodiment illustrated in FIGS. 1A and 1B, the superhard tables 118 of mating superhard bearing segments may collectively define a substantially continuous superhard bearing surface 116 of a respective tilting pad 104. More particularly, the tilting pads 104 may be used in connection with a runner or other superhard bearing element. In general, the hydrodynamic tilting pad bearing assembly 100 may rotate relative to a runner or other superhard bearing element while a lubricant or other fluid floods the hydrodynamic tilting pad bearing assembly 100 and the runner. As the bearing assembly 100 is rotated relative to a runner, a fluid film separating the runner from the superhard bearing surfaces 116 may develop. For favorable use of the hydrodynamic forces within the lubricant, the tilting pads 104 may tilt which may result in a higher lubricant film thickness existing at a leading edge (i.e., an edge of a tilting pad 104 that would be traversed first by any line on the runner while the assembly 100 moves in the direction of rotation of the assembly 100), than at a trailing edge (i.e., an edge of a tilting pad 104 over which a line of the superhard bearing element is second to pass in the direction of rotation of the assembly 100), at which a minimum film thickness may develop.

[0060] In the illustrated embodiment, the set of superhard bearing segments collectively defining at least a portion of the tilting pad 104 are secured to a support plate 122. The support plate 122 may, for instance, be formed of a metal, an alloy, a cemented carbide material, other material, or any combination thereof. The substrate 120 of the superhard bearing segments may be secured to the support plate 122 by brazing, welding, or other method. In some embodiments, the support plate 122 may define a pocket into which the superhard bearing segments may be assembled and/or positioned. In at least one embodiment, the support plate 122 has an integral construction such that a single segment may form substantially the full support plate 122, while multiple superhard bearing segments may be used to form the superhard bearing surface 116. In other embodiments, multiple segments of one or more materials may be used to form or define the support plate 122.

[0061] The degree to which the tilting pads 104 rotate or tilt may be varied in any suitable manner. For instance, in an embodiment, the tilting pads 104 may be tilted about respective radial axes that extend radially from the thrust axis 106 and through each respective tilting pad 104. In FIG. 1B, the support plate 122 may be attached to a pin 124. The pin 124 may be allowed to at least partially rotate, or may otherwise define or correspond to a tilt axis 125. For instance, in accordance with some embodiments, the pin 124 is journaled or otherwise secured within the support ring 102 in a manner that allows the pin 124 to rotate relative to the support ring 102. The pin 124 may be fixed to the support plate 122 such that as the pin 124 rotates relative to the support ring 102, the support plate 122 may also rotate or tilt relative to the axis 125 of the pin 124. The pin 124 and support plate 122 may rotate or tilt between zero and twenty degrees in some embodiments, such that the superhard bearing surfaces 116 of the respective tilting pads 104 may also tilt between about zero and about twenty degrees relative to the pin 124 or other horizontal axis. In other embodiments, the pin 124 and/or the superhard bearing surface 116 may rotate between about zero and about fifteen degrees, such as a positive or negative angle (A) of about 0.5 to about 3 degrees (e.g., about 0.5 to about 1

degree or less than 1 degree) relative to the axis 125 of the pin 124. In some cases, the support ring 102 may be configured for bidirectional rotation. In such a case, the pin 124 may be allowed to rotate in clockwise and counterclockwise directions. In such an embodiment, the superhard bearing surface 116 may thus tilt in either direction relative to the axis of the pin 124 and/or the support ring 102. For instance, the superhard bearing surface 116 may be rotated to a position anywhere between a positive or negative angle of about twenty degrees relative to an axis of the pin 124, such as a positive or negative angle (A) of about 0.5 to about 3 degrees (e.g., about 0.5 to about 1 degree or less than 1 degree) relative to the axis 125 of the pin 124.

[0062] The pin 124 may be used to allow the tilting pads 104 to selectively rotate. For instance, the tilting pads 104 may be self-establishing such that based on the lubricant used, the axial forces applied along the thrust axis, the rotational speed of the runner or hydrodynamic tilting pad bearing assembly 100, other factors, or combinations of the foregoing, the tilting pads 104 may automatically or otherwise adjust to a desired tilt or other orientation. In still other embodiments, the tilting pads 104 may be fixed at a particular tilt, or may be manually set to a particular tilt with or without being self-establishing.

[0063] Further, the pin 124 represents a single mechanism for facilitating rotation, translation, or other positioning of the tilting pads 104 so as to provide tilting pad superhard bearing surfaces 116. In other embodiments, other mechanisms may be used. By way of illustration, leveling links, pivotal rockers, spherical pivots, other elements, or any combination of the foregoing may also be used to facilitate positioning of the tilting pads 104 in a tilted configuration. In an embodiment, the support plate 122 may be used to facilitate rotation of a respective tilting pad 104. The support plate 122 may, for instance, be machined or otherwise formed to include a receptacle, an opening, or other structure into which the pin 124 may be at least partially received or secured. In embodiments in which the pin 124 is excluded, the support plate 122 may be machined or otherwise formed to include other components, such as spherical pivot, pivotal rocker, or leveling link interface. The support plate 122 may be formed of any suitable material, such as steel or other alloy; however, in some embodiments the support plate 122 is formed of a material that is relatively softer than the substrate 120, such that the support plate 122 may be relatively easily machined or formed into a desired shape or form. In other embodiments, the support plate 122 can be eliminated and the substrate 120 may be directly machined or formed to facilitate tilting of the tilting pad 104.

[0064] In some embodiments, the tilt axis of the tilting pads 104 is centered relative to the tilting pads 104. For instance, where the support ring 102 may be configured for bi-directional rotation, the tilt axis of the tilting pads 104 may be centered due to either of opposing edges of the tilting pads 104 being the leading or trailing edge, based on a particular direction of rotation. In other embodiments, the tilt axis of a tilting pad 104 may be offset relative to a center of the tilting pads 104. For instance, where the support ring 102 is part of a rotor configured for only unidirectional rotation, the axis of rotation of the tilting pad 104 may be offset such that the axis of rotation is closer to one of the leading edge or the trailing edge of the tilting pad 104. In other embodiments, a tilt axis may be offset from center despite a rotor being configured for

bidirectional rotation, or a tilt axis may be centered despite a rotor being configured for unidirectional rotation.

[0065] The use of superhard materials such as those contemplated in the present disclosure may provide wear resistance, frictional, or other properties that extend the useful life and/or utility of the corresponding bearing, motor, or other assemblies described herein. For instance, in some applications, hardened steel bearing tilting pads may wear at a rate that is between five and twenty times greater than bearing pads made of superhard materials. Thus, in at least some applications, use of superhard materials in a tilting pad bearing assembly may significantly increase the potential useful life of a bearing assembly.

[0066] While superhard materials may thus provide desirable wear characteristics, use of some superhard materials may be limited in various regards. For instance, certain types of superhard materials may be manufacturable in limited quantities, or may be available with certain size restrictions. Such limitations may be the result of technological, quality, or economic constraints. For instance, in some cases, the technology to produce large pieces of a superhard material may not exist, or developing machinery that may produce large pieces may be cost prohibitive, or result in low quality components. PDCs are a superhard article including at least one such material that is considered to have production size constraints. For instance, as described herein, PDCs may be produced using an HPHT sintering and/or bonding process. To maintain the temperature and pressure requirements over a large surface area, and thereby produce large segments of PDCs, can consume large amounts of power and require large, powerful, and sophisticated machinery. If such pressure and temperature tolerances are not maintained, the PDCs may include defects that reduce desirable wear resistance and/or frictional characteristics of the PDCs. Moreover, the temperature and/or pressure requirements for production of a high quality and large PDC may exceed the capabilities of currently available HPHT presses. Consequently, PDCs are currently produced under size restrictions. For example, PDCs are available in limited sizes that typically range up to about 25 mm to about 75 mm (e.g., about 25 mm to about 30 mm) in diameter for cylindrical PDCs and up to about 3.0 mm in diamond table thickness.

[0067] Where the hydrodynamic tilting pad bearing assembly of FIGS. 1A and 1B, includes superhard bearing segments formed from PDCs or other polycrystalline diamond material, use of a unitary PDC for an entire molding element may currently be available primarily where the tilting pad 104 is very small (e.g., having size dimensions limited to a maximum dimension of about 25 mm to about 30 mm). Tilting pad bearing assemblies, however, often require or use tilting pads that far exceed the size of a typical PDC. For instance, in a turbine application, it may not be uncommon for tilting pad bearing assemblies to utilize tilting pads having length and/or width dimensions measuring 30 mm or more. For instance, tilting pads may be used in bearing systems where tilting pads measure between about 30 mm and about 1500 mm. More particularly, in some embodiments, a length and/or width of a tilting pad may measure between about 50 mm and about 1000 mm, although larger or smaller tilting pads may be utilized. Because of the significant wear resistive properties that PDCs or other superhard materials provide, it is nonetheless desirable to use superhard materials for large tilting pads or other superhard bearing segments, even when the tilting pads exceed the size of available superhard materials.

[0068] According to some embodiments, superhard materials such as polycrystalline diamond or PDCs including polycrystalline diamond may be formed as multiple independent superhard bearing segments that may be joined and/or assembled together to collectively define a superhard bearing element and/or superhard bearing surface. FIGS. 1C and 1D illustrate in greater detail such an embodiment in which multiple segments are combined to define a superhard bearing element in the form of a tilting pad.

[0069] In particular, FIGS. 1C and 1D are isometric and cross-sectional views, respectively, of a single tilting pad 104 that may be used in connection with the hydrodynamic tilting pad bearing assembly described above. The tilting pad 104 includes multiple superhard bearing segments 126a-f that collectively defines the bearing pad 126, including a substantially continuous superhard bearing surface 116. Each superhard bearing segment 126a-f may include a superhard table 118 bonded to a substrate 120, and each segment 126a-f may further be secured within the support plate 122 by brazing, press-fitting, fastening with fasteners, or other suitable attachment mechanism. In the illustrated embodiment, the support plate 122 may facilitate attachment of the segments 126a-f to the support plate 122 by including an interior surface 128 that defines an interior pocket 130. The pocket 130 may be sized to generally correspond to a size of the collective, assembled set of segments 126a-f. The superhard bearing segments 126a-f may be assembled within the pocket 130 and secured to the support plate 122 by brazing the segments 126a-f to the support plate 122, press-fitting the segments 126a-f to the support plate 122 and/or against each other, attaching each of the superhard bearing segments 126a-f to the support plate 122 using a mechanical fastener, or using another suitable technique, or any combination of the foregoing. It is noted that the support plate 122 merely represents one embodiment for a support plate and other configurations may be used. For example, according to another embodiment, a support plate may lack a pocket or other receptacle. In still another embodiment, the support plate may be eliminated. For instance, the segments 126a-f may be directly connected together and the substrates 120 may directly engage the support ring 102 (FIGS. 1A and 1B) and/or a tilt mechanism.

[0070] The illustrated embodiment shows an example structure of the superhard bearing segments 126a-f, and an example of how the superhard bearing segments 126a-f may be assembled together. In this embodiment, six superhard bearing segments 126a-f collectively define a pie-shaped bearing pad 126 and a substantially continuous superhard bearing surface 116, although more or fewer than six segments may be provided. Generally, more than one bearing segment may be provided to collectively form a tilting pad. Each superhard bearing segment 126a-f may include at least one outer edge region 132 and at least one interior edge region 134. In the illustrated embodiment, each outer edge region 132 defines a portion of a periphery of the superhard bearing surface 116. Each interior edge region 134 may be configured to correspond with, and in some embodiments may mesh with, corresponding interior edge regions of one or more of other of the superhard bearing segments 126a-f. In FIG. 1C, for instance, each of the superhard bearing segments 126a-f is configured to be arranged such that the interior edge region 134 mates with corresponding interior edge regions of at least two and sometimes three adjacent segments 126a-f.

[0071] In the illustrated embodiment, the superhard bearing surface 116 is substantially planar, although such embodi-

ment is merely illustrative. In other embodiments, the superhard bearing surface **116** may be curved, or have another contour or topography. Moreover, the outer edges of the superhard bearing surface **116** optionally include a chamfer **140**. The chamfer **140** may be formed by placing a chamfer on the individual outer edge regions **132** of each of the superhard bearing segments **126a-f**. The superhard bearing surface **116** may also take a number of other forms. For instance, in FIG. **1C**, the superhard bearing surface **116** is substantially pie shaped with a curved and chamfered outer edge **142** and curved and chamfered interior edge **144**. Chamfered side edges **146**, **148** may be substantially straight and taper inward from the outer edge **142** to the interior edge **144**. In other embodiments, the edges of a superhard bearing surface **116** may define other shapes, including radiused, arcuate, circular, elliptical, trapezoidal, or other shaped surfaces, or may form a sharp edge.

[0072] The superhard bearing segments **126a-f** may also be arranged to each have any desired individual shape. By way of illustration, a set of seams **136** may be at least partially formed between separate superhard bearing segments **126a-f** and each superhard bearing segment **126a-f** may have a different size and/or shape. The superhard bearing segments **126a-f** and/or seams **136** may be non-symmetrical. In other embodiments, however, the seams **136** and/or the superhard bearing segments **126a-f** may define the superhard bearing surface **116** in a substantially symmetrical fashion.

[0073] Any number of superhard bearing segments may be used to form a superhard bearing surface **116**. For instance, as noted above, a bearing tilting pad may be sized many times larger than a largest available size of a PDC or other material used to form a portion of the bearing tilting pad, or may be small enough to be formed of a single PDC. In FIG. **1C**, six superhard bearing segments **126a-f** may be used to define the full size of the superhard bearing surface **116**. In other embodiments, however, more or less than six superhard bearing segments may be used. By way of illustration, a bearing tilting pad measuring 75 mm in circumferential width and 100 mm in radial length, may include ten or more individual segments. In some embodiments, some individual segments include only interior edges of the corresponding superhard bearing surface, such as where a segment is bounded in all directions by other of the superhard bearing segments. Thus, it is not necessary that a superhard bearing segment have a portion thereof corresponding to an outer edge of the superhard bearing surface **116**.

[0074] The interior edge regions **134** of the superhard bearing segments **126a-f** may be configured to limit fluid from being able to leak through the seams **136** formed between adjacent superhard bearing segments **126a-f**. By way of illustration, the seams **136** may be interconnected and defined by interfaces between the interior edge regions **134**. Depending upon the tolerances of the superhard bearing segments **126a-f**, all or a portion of the seams **136** may comprise a relatively small gap **138**. For example, the gap **138** may have a width of about 0.001 mm to about 3.5 mm, more particularly a width of about 0.0025 mm to about 2.5 mm, and more particularly a width of about 0.125 mm to about 1.25 mm. More particularly still, the gap **138** may have a width from about 0.025 mm up to about 1.0 mm. In another embodiment, the gap **138** may have a width from about 0.005 mm up to about 0.50 mm. As the gaps **138** decrease in size, it may become more difficult for fluid to flow radially between the gaps **138** and leak from the superhard bearing surface **116** of the superhard bearing ele-

ment **104**. However, it should be noted that in at least some operational conditions, entrained fluid in the gaps **138** may assist with formation of a hydrodynamic film on the superhard bearing surface **116**.

[0075] The interior edge regions **134** of the superhard bearing segments **126a-f** in FIGS. **1C** and **1D** may be substantially straight or planar and may create substantially planar seams **136** between the various segments **126a-f**. In other embodiments, one or more segments may exhibit other configurations or geometry that depart from the illustrated embodiment in FIGS. **1A-1D**. For example, FIGS. **2A** and **2B** illustrate isometric and top plan views, respectively, of a tilting pad **204** according to another embodiment. The tilting pad **204** includes multiple superhard bearing segments **226a-f**, each of which may include a superhard table **218** bonded to a substrate **220**. The substrate **220** and/or superhard table **218** may further be bonded to a support plate **222** using a brazing, fastening, or other process such as those described herein. The tilting pad **204** may also be configured to pivot or otherwise tilt. For instance, a pin **224** may be attached to the support plate **222**. The pin **224** may have a central axis **235** about which it tilts, thereby allowing the superhard bearing surface **216** to also pivot, rotate, tilt, or otherwise move about the central axis **235**.

[0076] The superhard bearing segments **226a-f** of the illustrated embodiment each include interior edge regions **234** configured to correspond to and/or mate with interior edge regions **234** of two or three adjacent superhard bearing segments **226a-f**. Each of the superhard bearing segments **226a-f** may further include an outer edge region **232** defining at least a portion of the periphery of the superhard bearing surface **216**. As discussed herein, the foregoing is merely an example. In other embodiments, there may be one or more superhard bearing segments that do not include an outer edge region, include an interior edge region corresponding to, or mating with, only one or more than three adjacent superhard bearing segments, or superhard bearing segments may have still other configurations.

[0077] In the illustrated embodiment, the superhard bearing segments **226a-f** may include, at their respective interior edge regions **234**, generally rectangular-shaped slots **250** and rectangular-shaped ridges **252**. The slots **250** and ridges **252** may be configured to correspond to and potentially mesh with corresponding ridges **252** and slots **250** of adjoining segments **226a-f**. Consequently, the superhard bearing segments **226a-f** may at least partially interlock along respective interior edge regions **234**.

[0078] Each superhard bearing segment **226a-f** may thus be positioned radially, circumferentially, or otherwise adjacent to another of the superhard bearing segments **226a-f**, with one of the seams **236** formed therebetween. In some embodiments, interlocked superhard bearing segments **226a-f** may act to limit fluid leakage at the superhard bearing surface **216**. For instance, the seams **236** may define a tortuous path to limit fluid leakage through the seams **236**. If present, gaps located between adjacent superhard bearing segments **226a-f** may further be filled with a sealant material to help limit leakage of fluid through the seams **236**. For example, gaps between interior edge regions **234** may be substantially filled with a sealant material. Examples of sealant materials may include a ceramic material, metallic material, polymeric material, or another suitable material, or any combination of the foregoing. In an embodiment, the sealant material may exhibit abrasion and/or erosion resistance to commonly used drilling

fluids (also known as drilling mud). For example, a sealant material may comprise chemically-vapor-deposited (“CVD”) diamond or a CVD-deposited carbide material (e.g., binderless tungsten carbide). Specifically, one example of a commercially available CVD binderless tungsten carbide material (currently marketed under the trademark HARDIDE®) is currently available from Hardide Layers Inc. of Houston, Tex.

[0079] In other embodiments, a binderless tungsten carbide material may be formed by physical vapor deposition (“PVD”), variants of PVD, high-velocity oxygen fuel (“HVOF”) thermal spray processes, supersonic transfer (“SST”), or any other suitable process, without limitation. In still other embodiments, the braze alloy used to braze the superhard bearing segments 226a-f to the support plate 222 may infiltrate the seams 236 and substantially fill all or a portion of the gaps at the seams 236, which may exist at the interfaces of the interior edge regions 234 of mating superhard bearing segments 226a-f. For example, suitable abrasion resistant braze alloys include, but are not limited to, silver-copper based braze alloys commercially known as braze 505 and braze 516 and are available from Handy & Harmon of Canada Limited. In another embodiment, a sealant material may comprise a hardfacing material (e.g., a nickel or cobalt alloy) applied at least within the gaps by thermal spraying. In yet a further embodiment, a sealant material may comprise polyurethane, or another suitable polymeric, metal, alloy, or other material. In another embodiment, a substantially continuous superhard bearing surface 216 may be at least partially formed by depositing a layer of diamond onto the surface 216 and into gaps between the segments 226a-f.

[0080] FIGS. 3 and 4 illustrate top plan and isometric views, respectively, of different embodiments of tilting pads that may be employed in a hydrodynamic tilting pad bearing assembly according to an embodiment. In particular, FIG. 3 illustrates a tilting pad 304 that may include a plurality of superhard bearing segments 326a-d, each of which includes a superhard table 318 with a superhard bearing surface 316 bonded to a substrate (not shown). The superhard table 318 and substrate (not shown) is optionally bonded or otherwise connected to a support plate 322.

[0081] The superhard bearing segments 326a-d each may include an outer edge region 332 and an interior edge region 334. The superhard bearing segments 326a-d may be configured with a serrated geometry at the interior edge regions 334. Such a configuration may allow adjacent superhard bearing segments 326a-d to mate and at least partially interlock, while also defining seams 336 of a geometry that limits fluid leakage radially through the gaps between adjoining superhard bearing segments 326a-d.

[0082] The illustrated and described seams between adjacent superhard bearing segments are merely illustrative, and seams between superhard bearing segments and/or configurations of interior edge regions of superhard bearing segments may have any number of configurations. For, instance, a set of interconnecting superhard bearing segments may have substantially straight, serrated, saw-toothed, sinusoidal-like, curved, or otherwise shaped interior edge regions, or any combination of the foregoing. Moreover, some portions of an interior edge region may have one configuration of shape while another portion of an interior edge region on the same superhard bearing segment may have a different configura-

tion or shape. Accordingly, different superhard bearing segments may also include different mating geometry or other configurations.

[0083] As discussed herein, a tilting pad bearing assembly may be utilized where certain conditions are met, or in any number of other circumstances or industries. For instance, an application may be identified where it would benefit to use a superhard bearing element including a superhard material; however, the superhard material may have associated production limits (e.g., size, availability, etc.). Where the superhard bearing element has a size, shape, or other feature(s) exceeding such production limits, the superhard bearing element may be fashioned out of multiple individual segments that collectively define a superhard bearing surface of the superhard bearing element. In other cases, however, the type of material used in the superhard bearing element may not have the same production limits as PDCs or other superhard materials, or the superhard bearing element may be sized small enough to allow a single superhard or other material to be used to form the superhard bearing surface. FIG. 4 illustrates an embodiment in which a tilting pad 404 may have a size and/or comprise a material configured such that a single segment may form a substantially continuous superhard bearing surface 416. In particular, the tilting pad 404 may include a superhard table 418 bonded to a substrate 420. The substrate may in turn be bonded to a support plate 422. Optionally, the support plate 422 is oversized relative to the substrate 420; however, the support plate 422 may also be about the same size or smaller than the substrate 420. In this embodiment, a single segment 426 may define substantially the entire superhard bearing surface 416. For instance, the segment 426 may exhibit a length and/or width that may measure approximately 15 mm by 10 mm, such that a single superhard table 418 made from polycrystalline diamond or other materials may be fashioned into the desired shape, even in the absence of providing multiple interlocking, adjoining, or adjacent segments. In other embodiments, the segment 426 may have other sizes and may even exceed a maximum size available for PDCs. For instance, other superhard materials (e.g., tungsten carbide) may be used to form the superhard bearing surface 116 using a single, integral segment.

[0084] Any of the above-described hydrodynamic tilting pad bearing assembly embodiments may be employed in a hydrodynamic tilting pad bearing apparatus. FIGS. 5A and 5B are isometric cutaway and isometric partial cross-sectional views, respectively, of a hydrodynamic tilting pad thrust-bearing apparatus 500 according to an embodiment. The hydrodynamic tilting pad thrust-bearing apparatus 500 may include a rotor 554 and a stator 556. The stator 556 may be configured as any of the described embodiments of hydrodynamic tilting pad bearing assemblies, or may include any of the described embodiments of superhard bearing elements or tilting pads. The stator 556 may include a support ring 502 and a plurality of tilting pads 504 mounted or otherwise attached to the support ring 502, with each of the tilting pads 504 having a superhard bearing surface 516. The tilting pads 504 may be tilted and/or tilt relative to a rotational axis 505 of the hydrodynamic tilting pad apparatus 500 and/or one or more surfaces of the support ring 502. The tilting pads 504 may be fixed at a particular tilt, may be manually adjusted to exhibit a particular tilt, may self-establish at a particular tilt, or may be otherwise configured. The terms “rotor” and “stator” refer to rotating and stationary components of the tilting pad bearing apparatus 500, respectively, although the rotating

and stationary status of the illustrated embodiments may also be reversed. For instance, the support ring 502 and tilting pads 504 may remain stationary while a support ring 558 rotates.

[0085] The rotor 554 may be configured in any suitable manner, including in accordance with embodiments described herein. The rotor 554 may include a support ring 558 connected to one or more superhard bearing segments 562. The rotor 554 may include a substantially continuous superhard bearing surface which is generally adjacent the superhard bearing surfaces 516 of the stator 556. A fluid film may be formed between the substantially continuous superhard bearing surface of the rotor 554 and the superhard bearing surfaces 516 of the stator 556. In some embodiments, the superhard bearing surface of the rotor 554 may be formed of a single material and may be formed of a same or different material relative to materials used to form the tilting pad superhard bearing elements 504. In other embodiments, such as shown in FIGS. 6A and 6B, the superhard bearing surface of the rotor 554 may be defined at least partially by a plurality of circumferentially-adjacent superhard bearing segments 562 (e.g., a plurality of superhard compacts), each of which includes an outer superhard bearing surface 560 defining at least a portion of the substantially continuous superhard bearing surface of the rotor 554. The superhard bearing segments 562 may be mounted or otherwise attached to a support ring 558 by brazing, a press-fit, mechanical fasteners, or in another manner.

[0086] As shown in FIG. 5A, a shaft 564 may be coupled to the support ring 558 and operably coupled to an apparatus capable of rotating the shaft section 564 in a direction R (or in an opposite direction). An apparatus capable of providing such rotation may include a downhole motor. For example, the shaft 564 may extend through and may be secured to the support ring 558 of the rotor 554 by press-fitting or a threaded connection that couples the shaft 564 to the support ring 502, or by using another suitable technique. A housing 566 may be secured to the support ring 502 of the stator 556 by, for example, press-fitting or threadably coupling the housing 566 to the support ring 502, and may extend circumferentially about the shaft 564, the stator 556, and the rotor 554.

[0087] The operation of the hydrodynamic tilting pad bearing apparatus 500 is discussed in more detail with reference to FIG. 5B. FIG. 5B is an isometric partial cross-sectional view in which the shaft 510 and housing 511 are not shown for clarity. In operation, drilling fluid, mud, or some other fluid may be pumped between the shaft 510 and the housing 511, and between the tilting pads 504 of the stator 556 and the superhard bearing segments 562 of the rotor 554. More particularly, rotation of the rotor 554 at a sufficient rotational speed may sweep the fluid onto superhard bearing surfaces 516 of the stator 556 and may allow a fluid film 568 to develop between the superhard bearing surfaces 560 of the rotor 554 and the superhard bearing surfaces 516 of the stator 556. The fluid film 568 may develop under certain operational conditions in which the rotational speed of the rotor 556 is sufficiently great and the thrust load is sufficiently low.

[0088] The stator 556 may include tilting pads 504 that are optionally made of multiple segments 526. Moreover, in at least some embodiments, the tilting pads 504 may be configured to tilt as described herein. In such an embodiment, the tilting pads 504 may be positioned at a fixed tilt angle or at a configurable or self-establishing tilt angle. The tilting pads 504 of the stator 556 may have a leading edge 570 at a different position than a trailing edge 572 relative to the rotor

554. For instance, in FIG. 5B, the tilting pads 504 may be tilted such that a greater separation exists between the tilting pads 504 and the superhard bearing segments 562 at the leading edge 570 than at the trailing edge 572. Under such circumstances, the lubricant film 568 may have a variable thickness across the tilting pad 504. In this particular embodiment, a higher lubricant film thickness may exist at the leading edge 570 than at the trailing edge 572.

[0089] Under certain operational conditions, the pressure of the fluid film 568 may be sufficient to substantially prevent contact between the superhard bearing surfaces 560 of the rotor 554 and the superhard bearing surfaces 516 of the stator 556 and may thus substantially reduce wear of the superhard bearing segments 562 and the tilting pads 504. When the thrust loads exceed a certain value and/or the rotational speed of the rotor 554 is reduced, the pressure of the fluid film 568 may not be sufficient to substantially prevent the superhard bearing surfaces 560 of the rotor 554 and the superhard bearing surfaces 516 of the stator 556 from contacting each other. Under such operational conditions, the hydrodynamic tilting pad bearing apparatus 500 is not operated as a hydrodynamic bearing. Thus, under certain operational conditions, the hydrodynamic tilting pad bearing apparatus 500 may be operated as a hydrodynamic bearing apparatus and under other conditions the hydrodynamic tilting pad bearing apparatus 500 may be operated so that the superhard bearing surfaces 516, 560 contact each other during use or a partially developed fluid film is present between the superhard bearing surfaces 516, 560. However, the tilting pads 504 and superhard bearing segments 562 may comprise superhard materials that are sufficiently wear-resistant to accommodate repetitive contact with each other, such as during start-up and shut-down of a subterranean drilling or other system employing the hydrodynamic tilting pad bearing apparatus 500 or other operational conditions not favorable for forming the fluid film 568. In still other embodiments, a backup roller or other bearing (not shown) may also be included for use during certain operational conditions, such as during start-up, or as the fluid film 558 develops.

[0090] FIGS. 6A and 6B illustrate top isometric views and isometric partial cross-sectional views, respectively, of the rotor 554 and illustrate an embodiment of a configuration of multiple superhard bearing segments 562a, 562b in more detail. In particular, in the illustrated embodiment, the superhard bearing segments 562a, 562b may be a superhard compact (e.g., a PDC) that includes a superhard table 574 bonded to a substrate 576. Each superhard table 574 may include a superhard bearing surface 560. The superhard bearing surfaces 560 of the superhard tables 574 may collectively form a substantially continuous superhard bearing surface of the stator 556.

[0091] An example manner in which the superhard bearing segments 562a, 562b may be assembled together is illustrated in FIGS. 6A and 6B; however, in other embodiments, multiple segments may be assembled together in other manners, using differing geometries, or using a single material rather than a set of multiple segments. In the illustrated embodiment, the superhard bearing segments 562a, 562b may extend circumferentially in a generally circular manner, and may be secured to the support ring 558 using a brazing, press-fit, fastener, or other attachment mechanism. There may be a plurality of outer segments 562a and a plurality of inner segments 562b. The outer segments 562a may include, in some embodiments, an outer edge section 586 and at least one

interior edge section **588**. The outer edge sections **586** of the collective set of outer segments **562** may define all or a portion of the outermost edge of the superhard bearing surface **560**. Similarly, the inner segments **562b** may include, in some embodiments, an inner edge section **588** and at least one outer edge section **586**. The outer edge sections **588** of the collective set of inner segments **562b** may define all or a portion of the innermost edge of the superhard bearing surface **560**. For instance, the innermost edge of the superhard bearing surface **560** may bear against a shaft (see FIG. 5A).

[0092] The interior edge sections **584** of the superhard bearing segments **562a**, **562b** may interconnect with, or otherwise correspond to, other of the multiple superhard bearing segments **562a**, **562b**. For instance, in the illustrated embodiment, each outer superhard bearing segment **562a** may connect at opposing ends to other outer superhard bearing segments **562a** that extend circumferentially relative thereto. Each outer superhard bearing segment **562a** may also interface or mesh with one or more inner superhard bearing segment **562b** which extend radially inward relative to the outer superhard bearing segment **562a**. Such an arrangement is, however, merely exemplary. In other embodiments, there may be more than two superhard bearing segments extending radially to form the substantially continuous superhard bearing surface, any number of different segments extending circumferentially to form the substantially continuous superhard bearing surface, or a superhard bearing segment may interface with a segment extending at least partially in both circumferential and radial directions with respect thereto. Accordingly, a substantially continuous superhard bearing surface may be formed by a collective set of superhard bearing segments **562a**, **562b** each having a respective superhard bearing surfaces **560**, and such superhard bearing segments **562a**, **562b** may be arranged, connected, or shaped in any suitable manner.

[0093] In FIGS. 6A and 6B, each of the interior edge sections **584** may have an alternating slot-and-ridge pattern, although such a configuration is merely illustrative. In other embodiments, the interior edge sections **584** may exhibit any of the previously described geometries, such as a serrated, straight, curved, or other geometry. Such geometries may enable mating adjacent superhard bearing segments together and/or limiting of fluid leakage through seams between adjacent superhard bearing segments.

[0094] Accordingly regardless of the particular arrangement, multiple segments form the substantially continuous superhard bearing surface of the stator **556**, a set of seams **582** may form between adjoining segments **562a**, **562b**. The seams **582** may provide a tortuous or winding path that limits fluid leakage radially through the seams **582**. The seams **582** may correspond to a relatively small gap **580** existing between the segments **562a**, **562b**. Although not necessary, the size of the gaps **580** may be the same or similar to those described previously with respect to exemplary tilting pad superhard bearing elements. For instance, the gaps **580** may have a width of about 0.001 mm to about 3.5 mm, more particularly a width of about 0.0025 mm to about 2.5 mm, and more particularly a width of about 0.125 mm to about 1.25 mm. More particularly still, the gaps **580** may have a width from about 0.005 mm up to about 1.0 mm. The gaps **580** are optionally filled with a sealant material as described herein.

[0095] The concepts used in the hydrodynamic tilting pad bearing assemblies and apparatuses described herein may also be employed in tilting pad radial bearing assemblies and

apparatuses. FIGS. 7A to 7C are isometric, exploded, and isometric partial cross-sectional views, respectively, of a hydrodynamic tilting pad radial bearing apparatus **600** according to yet another embodiment. The hydrodynamic tilting pad radial bearing apparatus **600** may include an inner race **654** (e.g., a runner or rotor) that may have an interior surface **667** defining an opening **655** for receiving a shaft or other component. The inner race **654** may also include a plurality of circumferentially and/or longitudinally adjacent superhard bearing segments **662** (e.g., a plurality of superhard compacts) at or near an exterior surface **669** of the inner race **654**, each of which may include a convexly-curved superhard bearing surface **660**.

[0096] The hydrodynamic tilting pad radial bearing apparatus **600** may further include an outer race **656** (e.g., a stator) configured to extend about and/or receive the inner race **654**. The outer race **656** may include a plurality of circumferentially-spaced tilting pads **604**, each of which may include a superhard bearing surface **616**. The superhard bearing surface **616** may be substantially planar, although in other embodiments the superhard bearing surface **616** may be a concavely-curved superhard bearing surface to generally correspond to shapes of convexly-curved superhard bearing surfaces of the inner race **654**. The terms “rotor” and “stator” refer to rotating and stationary components of the radial bearing system **600**, respectively. Thus, if the inner race **654** is configured to remain stationary, the inner race **654** may be referred to as the stator and the outer race **656** may be referred to as the rotor.

[0097] The hydrodynamic tilting pad radial bearing apparatus **600** may be employed in a variety of mechanical applications. For example, rotary drill bits may benefit from a radial bearing apparatus disclosed herein. More specifically, the inner race **654** may be mounted or affixed to a spindle of a rotary drill bit and the outer race **656** may be affixed to an inner bore such that an outer race **656** and inner race **654** may be assembled to form the radial bearing system **600**.

[0098] With continued reference to FIG. 7A, rotation of a shaft (not shown) secured to the inner race **654** may effect rotation of the inner race **654** relative to the outer race **656**. Drilling fluid or other fluid or lubricant may be pumped between the superhard bearing surfaces **616** of the inner race **654** and the superhard bearing surfaces **660** of the outer race **656**. When the inner race **654** rotates, the leading edge sections **670** of the tilting pads **604** may sweep lubricant (e.g., drilling fluid or other lubricant) onto the superhard bearing surfaces **660** of the outer race **656**. As previously described with respect to the hydrodynamic tilting pad bearing apparatus **500**, at sufficient rotational speeds for the inner race **654**, a fluid film may develop between the superhard bearing surfaces **616**, **660** of the tilting pads **604** and the superhard bearing segments **662**, and may develop sufficient pressure to maintain the superhard bearing surfaces **616** and the superhard bearing surfaces **660** apart from each other. Accordingly, wear on the tilting pads **604** and superhard bearing segments **662** may be reduced compared to when direct contact between the tilting pads **604** and superhard bearing segments **662** occurs.

[0099] As further illustrated in FIGS. 7A and 7B, the outer race **656** includes a support ring **602** extending about an axis **606**. The support ring **602** may include an interior channel **603** configured to receive a set of tilting pad superhard bearing elements **604** distributed circumferentially about the axis **606**. Each tilting pad **604** may comprise a superhard table **618** including a superhard bearing surface **616**. The superhard

bearing surface **616** may be curved (e.g., concavely-curved) or substantially planar and, in some embodiments, may include a peripheral chamfer. In other embodiments, the superhard bearing surface **616** may be otherwise curved, lack a chamfered edge, may have another contour or configuration, or any combination of the foregoing. Each superhard table **618** may be bonded to a corresponding substrate **620**. Further, each superhard bearing surface **616** may be tilted circumferentially relative to an imaginary cylindrical surface. The superhard tables **618** and substrates **620** may be fabricated from the same materials described above for the tilting pads **104** shown in FIGS. 1A and 1B.

[0100] Each superhard bearing surface **616** of a corresponding tilting pad **604** may be tilted in a manner that facilitates sweeping in of a lubricant or other fluid to form a fluid film between the inner race **654** and the outer race **656**. Each tilting pad **604** may be tilted and/or tilt about an axis that is generally parallel to the central axis **606**. As a result, each tilting pad **604** may be tilted at an angle relative to the inner and outer surfaces of the ring **602** and in a circumferential fashion such that the leading edges **670** of the tilting pads **604** are about parallel to the central axis **606**. The leading edge **670** may help to sweep lubricant or another fluid onto the superhard bearing surfaces **616** of the stator **656** to form a fluid film in a manner similar to the tilting pads **504** shown in FIGS. 5A and 5B. More particularly, when the inner race **654** is concentrically positioned relative to the outer race **656**, the leading edges **670** may be offset relative to the outer edge **669** of the outer race **656**, and by a distance that is larger than a distance between the outer race **656** and a trailing edge of the superhard bearing elements **604**. It should be noted that in other embodiments, the radial bearing apparatus **600** may be configured as a journal bearing. In such an embodiment, the inner race **654** may be positioned eccentrically relative to the outer race **656**.

[0101] In some embodiments, the tilting pad **604** may be formed from a plurality of superhard bearing segments **626** that collectively define a respective tilting pad **604** and/or superhard bearing surface **616**. Each superhard bearing segment **626** may be substantially identical, or the superhard bearing segments **626** may be different relative to other of the superhard bearing segments **626**. In some embodiments, the superhard bearing segments **626** each include a superhard table **618** bonded to a substrate **620** as described herein. Optionally, the substrate **620** may be connected or supported relative to a support plate **622**, the support ring **602**, or other material or component. The support plate **622** may be a single component or segment and used to facilitate assembly of the multiple segments **626** into the superhard bearing element **604**, although in other embodiments the support plate **622** may also include multiple assembled segments.

[0102] With continued reference to FIGS. 7A and 7B, the seams **636** may be formed between circumferentially and/or longitudinally adjacent to the superhard bearing elements **604**. As with the hydrodynamic tilting pad bearing assembly **100** described above, the edges of the superhard bearing segments **626** may have any number of configurations or shapes, and may correspond to or interlock with adjoining edges in any number of different manners. Further, sealant materials may be disposed within a gap (not shown) that may be formed between adjacent superhard bearing segments **662** to help further prevent fluid leakage through the seams **636**.

[0103] As further illustrated in FIGS. 7A and 7C, the inner race **654** of the radial bearing apparatus **600** is shown with a

support ring **658** connected to a plurality of circumferentially and longitudinally-adjacent superhard bearing segments **662** assembled together to form a substantially continuous superhard bearing element **626** and substantially continuous superhard bearing surface. In other embodiments, an outer race of a radial bearing system may include a plurality superhard bearing segments that are only circumferentially-spaced around the inner race **654**, or a plurality of superhard bearing segments that are only longitudinally spaced with respect to the inner race **654**. In still other embodiments, the inner race **654** may define a superhard bearing surface that is formed from only a single segment, such that there are not multiple segments assembled together. For instance, a single segment may be used where the size of the inner race **654** is sufficiently small that the material forming the superhard bearing surface **660** may be formed as a single material. Under some conditions, such as where a material forming the superhard bearing surface has limited production constraints, the superhard bearing surface **660** may be formed from multiple segments.

[0104] As noted previously, the plurality of superhard bearing segments **662** may be distributed circumferentially and/or longitudinally relative to the axis **606**. Where the superhard bearing segments **662** include a superhard table **674** and/or a substrate **676**, the superhard tables **674** and substrates **676** may be fabricated from the same materials described above for the superhard bearing segments **104** shown in FIGS. 1A to 1D. One or more seams **682** may be formed between adjacent superhard bearing segments **662**. As with the tilting pad bearing assembly **100** described above, the seams may follow slot-and-ridge, serrated, straight, curved or other edge geometries. Further, if desired, any of the previously described sealant materials may be disposed within a gap (not shown) that may be formed between adjacent superhard bearing segments **662** to help further prevent fluid leakage through the seams **682**.

[0105] The support ring **658** of the inner race **654** may include a circumferentially extending recess configured to receive the plurality of superhard bearing segments **662**. The superhard bearing segments **662** may be secured within the recess or otherwise secured to the support ring **658** by brazing, press-fitting, using fasteners, or another suitable technique. The support ring **658** may also define an interior surface **667** defining an opening **655** that is capable of receiving, for example, a shaft of a motor from a downhole motor assembly or other apparatus.

[0106] FIGS. 8A through 8C are isometric, top plan, and isometric cross-sectional views, respectively, of a thrust-bearing assembly **900** according to another embodiment. The bearing assembly **900** includes a support ring **902** that carries a plurality of circumferentially-spaced tilting bearing elements **904**. Like the tilting pads **104**, the tilting bearing elements **904** may include, for instance, fixed tilting bearing elements, adjustable tilting bearing elements, self-establishing tilting bearing elements, other bearing elements, or combinations of the foregoing.

[0107] The tilting bearing elements **904** of the illustrated embodiment generally have a cylindrical geometry, and may be distributed circumferentially about a thrust axis **906**, along which a thrust force may be generally directed during use. In other embodiments, the bearing surface **916** of each of the tilting bearing elements **904** may have a generally elliptically shaped geometry, a generally pie-shaped geometry, a generally rectangular geometry, combinations thereof, or any other suitable individual geometry. Each tilting bearing element

904 may be located circumferentially adjacent to another tilting bearing element **904**, with a gap **908** or other offset therebetween. Each tilting bearing element **904** may include a discrete, unitary, superhard bearing surface **916**, such that the tilting bearing elements **904** collectively provide a non-continuous superhard bearing surface.

[0108] To support the tilting bearing elements **904** of the bearing assembly **900**, the support ring **902** may define multiple recesses **910** for receiving the tilting bearing elements **904**. In other embodiments, the support ring **902** may define a channel and the tilting bearing elements **904** may be placed within the channel. The tilting bearing elements **904** may be supported or at least partially secured within the support ring **902** in any suitable manner. For instance, a pivotal connection may be used to secure the tilting bearing elements **904** within the support ring **902**, although any other suitable securement or attachment mechanism may also be utilized. Similar to the support ring **102**, the support ring **902** may also include an inner peripheral surface defining an aperture **914**. The aperture **914** may be generally centered about the thrust axis **906**, and may be adapted to receive a shaft (e.g., a downhole drilling motor shaft).

[0109] Each tilting bearing element **904** optionally includes multiple layers or other components. For instance, each tilting bearing element **904** may be a superhard bearing element or superhard compact that includes a superhard table **918** bonded to a substrate **920**. The superhard table **918** and the substrate **920** may be fabricated from the same materials described above for the tilting bearing elements **104** shown in FIGS. 1A and 1B.

[0110] Similar to the tilting pads **104**, the tilting bearing elements **904** may be used in connection with a runner or other bearing assembly. Like the bearing assembly **100**, the thrust-bearing bearing assembly **900** may rotate relative to a runner or other bearing assembly while a lubricant or other fluid floods the thrust-bearing bearing assembly **900**. As the thrust-bearing bearing assembly **900** is rotated, a fluid film separating the runner from the superhard bearing surfaces **916** may develop. For favorable use of the hydrodynamic forces within the lubricant, the tilting bearing elements **904** may tilt which may result in a higher lubricant film thickness existing at a leading edge (i.e., an edge of a tilting bearing element **904** that would be traversed first by a line on a runner/stator while the thrust-bearing assembly **900** moves in the direction of rotation), than at a trailing edge (i.e., an edge of a tilting bearing element **904** that would be traversed last by a line on a runner/stator, while the thrust-bearing assembly **900** moves in the direction of rotation).

[0111] The degree to which the tilting bearing elements **904** rotate or tilt may be varied in any suitable manner. For example, in an embodiment, the tilting bearing elements **904** may be tilted about respective axes that extend generally radially from the thrust axis **906** and through each respective tilting bearing element **904**. The tilting bearing element **904** may be connected to the support ring **902** by way of a rotatable connection. For instance, in FIGS. 8A-8C, the tilting bearing element **904** may be rotatably connected to a retaining feature, such as a pin **924**. The pin **924** may define or correspond to a tilt axis **925** (shown in FIG. 8B). The pin **924** may be secured within the support ring **902** in a manner that allows the tilting bearing element **904** to rotate relative to the axis **925** and the pin **924**. In other embodiments, the tilting bearing element **904** may be fixedly attached to the pin **924** and the pin **924** may be rotatably secured within the support

ring **902** in a manner that allows the tilting bearing element **904** and the pin **924** to rotate relative to the support ring **902**. Moreover, in other embodiments, where the tilting bearing element **904** is fixedly attached to the pin **924**, the pin **924** may be moveable or adjustable between various fixed positions such that the tilting bearing element **904** may be manually adjusted to exhibit a selected tilt. In other embodiments, each recess **910** may include a pair of protrusions extending radially from a lateral surface of the recess **910** and the tilting bearing element **904** may include apertures or grooves configured that receive the protrusions of the recesses **910** to form a rotatable connection between the support ring **902** and the tilting bearing element **904**.

[0112] In an embodiment, the tilting bearing element **904** and/or the pin **924** may rotate or tilt by about zero to about positive or negative twenty degrees relative to the tilt axis **925** or other horizontal axis. In some embodiments, the superhard bearing surfaces **916** of the respective tilting bearing elements **904** may also tilt from about zero to about positive or negative twenty degrees. In other embodiments, the tilting bearing elements **904** and/or the superhard bearing surface **916** may rotate from about zero to about fifteen degrees, such as a positive or negative angle (A) of about 0.5 to about 3 degrees (e.g., about 0.5 to about 1 degree or less than 1 degree) relative to the axis **925** of the pin **924** (as shown in FIG. 8E). Like the support ring **102**, the support ring **902** may be configured for bidirectional rotation. In such a case, the tilting bearing element **904** and/or the pin **924** may be allowed to rotate in clockwise and counterclockwise directions. For instance, the superhard bearing surface **916** may be rotated to a position anywhere between a positive or negative angle of about twenty degrees relative to the axis **925**, such as a positive or negative angle (A) of about 0.5 to about 3 degrees (e.g., about 0.5 to about 1 degree or less than 1 degree) relative to the axis **925** of the pin **924**. Like the pin **124**, the pin **924** may be used to allow the tilting bearing elements **904** to selectively rotate. In still other embodiments, the tilting bearing elements **904** may be fixed at a selected magnitude of tilt, or may be manually set to a selected magnitude of tilt with or without being self-establishing.

[0113] As described above, according to some embodiments, an individual superhard bearing element or compact forms each tilting bearing element **904**. The tilting bearing elements **904** may include various mechanisms for facilitating rotation, translation, or other positioning of the tilting bearing element **904**. FIGS. 8D through 8F are isometric, cross-sectional, and bottom views, respectively, of the tilting bearing element **904**. In an embodiment, the tilting bearing element **904** may, for instance, be machined or otherwise formed to include a recess **927** (e.g., a blind or through hole), an opening, or other structure into which the pin **924** (or other structural member) may be at least partially received or secured. The recess **927** may be machined or otherwise formed in a base portion of the tilting bearing element **904** comprising the substrate **920**. In other embodiments, the recess **927** may be machined or otherwise formed in a base portion of the tilting bearing element **904** comprising another material layer **922**, such as steel or another alloy or other metallic material, attached to the substrate **920** (e.g., a base surface). In other embodiments, the tilting bearing element **904** may include a plurality of recesses. For instance, the tilting bearing element **904** may include a second recess (not shown) generally perpendicular to the recess **927**. Such a configuration may allow a user to alternate insertion of the pin

924 between the recess **927** and the second recess such that a user may rotate the orientation of the tilting bearing element **904** as needed to increase the useful life of the tilting bearing element **904**.

[0114] In addition, the tilting bearing element **904** may be machined or otherwise formed to include a pivot **928** for facilitating rotation of the tilting bearing elements **904**. For example, the pivot **928** may be generally hemispherical, rounded, generally cylindrical, or otherwise configured to allow or facilitate tilting of the tilting bearing elements **904**. In an embodiment, the pivot **928** may be formed in the additional material layer **922** attached to a base surface of the substrate **920**. The additional material layer **922** may be any suitable material such as steel or other alloy or another material that is relatively softer than the substrate **920**. In other embodiments, the additional material layer **922** may be omitted and the substrate **920** may be directly machined or formed to include the pivot **928**. The pivot **928** may be formed by computer numerical control (“CNC”) milling, electro-discharge machining, laser-cutting, grinding, combinations thereof, or other suitable techniques. For example, suitable laser-cutting techniques are disclosed in U.S. patent application Ser. No. 13/166,007 filed on Jun. 22, 2011, the disclosure of which is incorporated herein, in its entirety by this reference.

[0115] In some embodiments, similar to the tilt axis **125**, the tilt axis **925** of the tilting bearing elements **904** may be substantially centered between the leading and trailing edges of the tilting bearing elements **904**. For instance, where the support ring **902** may be configured for bi-directional rotation, the tilt axis **925** of the tilting bearing elements **904** may be substantially centered relative to either of opposing edges of the tilting elements **904** being the leading or trailing edge, based on a selected direction of rotation. In other embodiments, the tilt axis **925** of a tilting bearing element **904** may be offset relative to an axis of symmetry on the bearing surface **916**. An axis of symmetry is a line that divides the bearing surface into two substantially symmetrical parts in such a way that the bearing surface on one side is substantially the mirror image of the bearing surface on the other side. For instance, where the support ring **902** is part of a rotor configured for only unidirectional rotation, the tilt axis **925** of the tilting bearing element **904** may be offset such that the tilt axis **925** is closer to one of the leading edge or the trailing edge of the tilting bearing element **904**. In other embodiments, a tilt axis may be offset from axes of symmetry on the bearing surface **916** on the tilting bearing element **904** despite a rotor being configured for bidirectional rotation, or a tilt axis may be substantially centered relative to an axis of symmetry on the bearing surface **916** of the tilting bearing element **904** despite a rotor being configured for unidirectional rotation.

[0116] In other embodiments, one or more tilting bearing elements may exhibit other features to facilitate tilting of the tilting bearing elements. For example, FIGS. 9A-9C illustrate isometric, top partial plan, and partial cross-sectional views, respectively, of a thrust-bearing assembly **1000** including tilting bearing elements exhibiting other configurations or geometries according to an embodiment. The thrust-bearing assembly **1000** may include a support ring **1002** that carries a plurality of circumferentially-spaced tilting bearing elements **1004**. In the illustrated embodiment, the tilting bearing elements **1004** generally have a generally cylindrical geometry, and may be distributed about a thrust axis **1006**, along which a thrust force may be generally directed during use. In other embodiments, the tilting bearing elements **1004**

may have a generally elliptical shaped geometry, a generally pie-shaped geometry, a generally rectangular shaped geometry, combinations thereof, or any other suitable individual geometry. Each tilting bearing element **1004** may be located circumferentially adjacent to another tilting bearing element **1004**, with a gap **1008** or other offset therebetween. Each tilting bearing element **1004** includes a discrete, unitary superhard bearing surface **1016**, such that the tilting bearing elements **1004** collectively provide a non-continuous superhard bearing surface.

[0117] To support the tilting bearing elements **1004** of the bearing assembly **1000**, the support ring **1002** may define a plurality of recesses **1010** for receiving the tilting bearing elements **1004**. The tilting bearing elements **1004** may be supported or at least partially secured within the support ring **1002** via one or more retaining features. In the illustrated embodiment, threaded retaining elements **1030** including head portions **1032** may be used to secure the tilting bearing elements **1004** within the support ring **1002**, although other suitable securement or attachment mechanism may also be utilized. For example, press-fit, welded, locked, or brazed in-place pins may be used instead of the threaded retaining elements **1030**. Similar to the support rings **102** and **902**, the support ring **1002** may also include an inner peripheral surface defining an aperture **1014**. The aperture **1014** may be generally centered about the thrust axis **1006** and may be adapted to receive a shaft.

[0118] Each tilting bearing element **1004** optionally includes multiple layers or other components. For example, each tilting bearing element **1004** may be a superhard bearing element or compact that includes a superhard table **1018** bonded to a substrate **1020**. The superhard table **1018** and the substrate **1020** may be configured similar to the superhard table **118** and the substrate **120** described in relation to FIG. 1B. Moreover, similar to the tilting pads **104**, the tilting bearing elements **1004** may be used in connection with a runner or other bearing assembly.

[0119] Thrust-bearing assembly **1000** may include various features for facilitating rotation, translation, or other positioning of the tilting bearing elements **1004**. FIGS. 9E and 9F are isometric and cross-sectional views, respectively, of a single one of the tilting bearing elements **1004**. As shown, the tilting bearing element **1004** may include a bottom surface and a pivot **1034** formed on the bottom surface. The pivot **1034** may comprise a generally semi-cylindrical convex portion disposed between a pair of planar portions. In other embodiments, the convex portion of the pivot **1034** may form substantially the entire portion of the bottom surface of the tilting bearing element **1004**. The pivot **1034** may define or correspond to a tilt axis **1025** such that the tilting bearing element **1004** may rotate or tilt relative to the tilt axis **1025**. In an embodiment, the convex portion of the pivot **1034** may extend across the entire bottom surface of the tilting bearing element **1004**. In other embodiments, the convex portion of the pivot **1034** may extend across only a portion of the bottom surface of the tilting bearing element **1004**. In yet other embodiments, the pivot **1034** may include a plurality of convex portions. For example, the pivot **1034** may include three convex portions spaced from one another, with each convex portion being positioned along a linear path on the bottom surface of the tilting bearing element **1004**.

[0120] In an embodiment, the pivot **1034** may be formed in the substrate **1020**. In other embodiments, the pivot **1034** may be formed in an additional layer attached to the base surface

of the substrate **1020**. The additional material layer may be any suitable material such as steel or other alloy or another metallic material that is relatively softer than the substrate **1020**. Like the pivot **928**, the pivot **1034** may be formed by CNC milling, electro-discharge machining, laser-cutting, grinding, combinations thereof, or other suitable techniques.

[0121] In some embodiments, the tilt axis **1025** or the pivot **1034** may be substantially centered relative to an axis of symmetry on the bearing surface **1016** of the corresponding tilting bearing element **1004**. In other embodiments, the tilt axis **1025** may be offset relative to axes of symmetry on the bearing surface **1016** of the corresponding tilting bearing element **1004**. For instance, where the support ring **1002** is part of a rotor configured for only unidirectional rotation, the axis of rotation of the tilting bearing element **1004** may be offset such that the tilt axis **1025** is closer to one edge of the tilting bearing element **1004**. In other embodiments, a tilt axis may be offset from axes of symmetry on the bearing surface **1016** of the tilting bearing element **1004** despite a rotor being configured for bidirectional rotation, or a tilt axis may be substantially centered relative to an axis of symmetry of the bearing surface **1016** of the tilting bearing element **1004** despite a rotor being configured for unidirectional rotation.

[0122] Optionally, the recesses **1010** of the support ring **1002** may be configured to help facilitate tilting of the tilting bearing elements **1004**. For instance, the recesses **1010** may include a base surface having a pair of generally planar portions **1036** separated by a concave portion **1038** as shown in FIG. 9D. The concave portion **1038** of the recess **1010** may help facilitate tilting or rotation of the tilting bearing element **1004** within the recess **1010**. The recess **1010** may be rounded, generally semi-hemispherical, generally semi-cylindrical, etc., and may have a different radius than pivot **1034**. For example, the pivot **1034** of the tilting bearing element **1004** may be configured to rock or tilt in the concave portion **1038** of the recess **1010**. In other embodiments, the recesses **1010** of the support ring **1002** may include a generally planar bottom portion upon which the pivot **1034** may rock or tilt.

[0123] In addition to the pivot **1034**, the tilting bearing elements **1004** may include other features for facilitating rotation, translation, or other positioning of the tilting bearing elements **1004**. For instance, the tilting bearing element **1004** may be machined or otherwise formed to include a groove **1040** or other retaining feature into which at least a portion of the head portion **1032** of the threaded retaining element **1030** (or other retaining feature or structure) may be at least partially received or secured (shown best in FIG. 9C). As illustrated, the threaded retaining elements **1030** may be threadably received in receiving holes **1037** formed in an upper surface of the support ring **1002** between adjacent ones of the tilting bearing elements **1004** in the gaps **1008**. At least a portion of the head portion **1032** of each threaded retaining element **1030** may be positioned within the groove **1040** of the tilting bearing element **1004** in such a manner that it secures the tilting bearing elements **1004** within the recesses **1010**, while allowing limited tilting of the tilt bearing element **1004** relative to the support ring **1002**. For instance, the groove **1040** and the head portion **1032** of the threaded retaining elements **1030** may be positioned and configured such that the tilting bearing element **1004** may selectively tilt relative to the support ring **1002** until the head portion **1032** engages one of the side walls of the groove **1040**.

[0124] In an embodiment, the groove **1040** may have a width W and a depth D (shown in FIG. 9F). The depth D of the groove **1040** may extend between a base of the groove and a lateral surface of the tilting bearing element **1004**. The depth D may be about 0.1 inches to about 0.4 inches, such as about 0.15 inches to about 0.25 inches. In other embodiments, the depth D of the groove **1040** may be greater or smaller. The width W of the groove **1040** may extend between the opposing sidewalls of the groove **1040**. In an embodiment, the width W of the groove **1040** may be about 0.1 inches to about 0.5 inches, such as about 0.2 inches to about 0.3 inches. In other embodiments, the width W of the groove **1040** may be wider or narrower.

[0125] Referring again to FIG. 9C, the head portion **1032** of the threaded retaining element **1030** may have a thickness T defined between an upper surface and a lower surface of the head portion **1032**. The head portion **1032** may also have an effective length L defined between an outer surface of the shaft of the threaded retaining element **1030** and a lateral surface of the head portion **1032**.

[0126] In an embodiment, the relationship between the width W of the groove **1040** and the thickness T of the head portion **1032** may be configured to adjust rotation of the tilting bearing element **1004** relative to the support ring **1002**. For example, the thickness T of the head portion **1032** may be about twenty (20) percent to about ninety five (95) percent; or about forty (40) percent to about eighty (80) percent of the width W of the groove **1040**. In other embodiments, the thickness T of the head portion **1032** and the width W of the groove **1040** may be larger or smaller relative to each other.

[0127] In an embodiment, the relationship between the effective length L of the head portion **1032** and the depth D of the groove **1040** may be configured to influence rotation of the tilting bearing element **1004** relative to the support ring **1002**. For example, the effective length L of the head portion **1032** may be about thirty (30) percent to about one hundred (100) percent; or about sixty (60) percent to about ninety (90) percent of the depth D of the groove **1040**. In other embodiments, the effective length L of the head portion **1032** and the depth D of the groove **1040** may be larger or smaller relative to each other.

[0128] In an embodiment, the relationship between the effective length L of the head portion **1032** and the width W of the groove **1040** may be configured to influence rotation of the tilting bearing element **1004** relative to the support ring **1002**. For example, the width W of the groove **1040** may be about ten (10) percent to about eighty (80) percent; or about twenty (20) percent to about sixty (60) percent of the effective length L of the head portion **1032**. In other embodiments, the effective length L of the head portion **1032** and the width W of the groove **1040** may be larger or smaller relative to each other.

[0129] As described above, the tilting bearing element **1004** may be positioned within the recess **1010** such that the tilting bearing element **1004** rotates relative to the support ring **1002** about the tilt axis **1025** (shown in FIG. 9E). For example, in an embodiment, the tilting bearing elements **1004** and the threaded retaining elements **1030** may be loosely organized or positioned on and/or in the support ring **1002** such that at least a portion of the head portions **1032** of the threaded retaining elements **1030** are positioned within the grooves **1040**. The threaded retaining elements **1030** may then be selectively tightened or threaded into the receiving holes **1037** to secure the tilting bearing elements **1004** in the

recesses 1010. In one embodiment, the threaded retaining elements 1030 may be threaded into the receiving holes 1037 in a star-shape pattern until all of the tilting bearing elements 1004 are secured in the recesses 1010. In another embodiment, a free end portion of the threaded retaining elements 1030 may be threaded into the receiving holes 1037. The tilting bearing elements 1004 may then be slid between the threaded retaining elements 1030 over the recesses 1010 such that at least a portion of the head portions 1032 of the threaded retaining elements 1030 are positioned within the grooves 1040. Then, the threaded retaining elements 1030 may be further threaded or tightened into the receiving holes 1037 to pull the tilting bearing elements 1004 into the recesses 1010 until the tilting bearing elements 1004 are secured and positioned therein.

[0130] In an embodiment, the tilting bearing element 1004 may rotate or tilt from about zero to about positive or negative twenty degrees relative to the support ring 1002. In other embodiments, the tilting bearing elements 1004 and/or the superhard bearing surface 1016 may rotate from about zero to about fifteen degrees, such as a positive or negative angle (θ) of about 0.5 to about 3 degrees (e.g., about 0.5 to about 1 degree or less than 1 degree) relative to the pivot 1034. Moreover, like the support ring 102, the support ring 1002 may be configured for bidirectional rotation. In such a case, the tilting bearing element 1004 may be allowed to rotate in clockwise and counterclockwise directions.

[0131] The pivot 1034, the groove 1040, the threaded retaining elements 1030, or combinations thereof may be used to allow the tilting bearing elements 1004 to selectively rotate. For instance, the tilting bearing elements 1004 may be self-establishing such that based on the lubricant used, the axial forces applied along the thrust axis, the rotational speed of the runner or bearing assembly 1000, other factors, or combinations of the foregoing, the tilting bearing elements 1004 may automatically or otherwise adjust to a desired tilt or other orientation. In still other embodiments, the tilting bearing elements 1004 may be fixed at a particular tilt, or may be manually set to a particular tilt with or without being self-establishing.

[0132] Further, the pivot 1034 represents one embodiment of a mechanism for facilitating rotation, translation, or other positioning of the tilting bearing elements 1004 so as to provide tilting bearing element superhard bearing surfaces 1016. In other embodiments, other mechanisms may be used. By way of illustration, leveling links, generally semi-elliptical pivots, generally hemispherical pivots, pivot pins, other elements, or any combination of the foregoing may also be used to facilitate positioning of the tilted bearing elements 1004 in a tilted configuration.

[0133] Referring again to FIGS. 9E and 9F, the tilting bearing element 1004 may be machined or otherwise formed to include the groove 1040 in a lateral surface of the substrate 1020. As illustrated, the groove 1040 may have a generally U-shaped cross-section. In other embodiments, the groove 1040 may have a generally rectangular cross-section, a generally V-shaped cross-section, a generally parabolic shaped cross-section, a generally trapezoidal shaped cross-section, combinations thereof, or other suitable cross-sectional shapes. In an embodiment, the groove 1040 may substantially extend around a circumference of the substrate 1020. In other embodiments, the tilting bearing element 1004 may include a plurality of grooves or the groove 1040 may extend around only a portion of the circumference of the substrate 1020. For

example, a pair of grooves, each on opposite sides of the tilting bearing element 1004, may extend along the lateral surface of the substrate 1020 substantially adjacent to the threaded retaining elements 1030. In an embodiment, the groove 1040 may be machined or otherwise formed in the substrate 1020. In other embodiments, the groove 1040 may be formed in another material layer attached to a base surface of the substrate 1020.

[0134] FIGS. 10A and 10B are isometric and cross-sectional views, respectively, of a tilting bearing element 1104 according to another embodiment. The tilting bearing element 1104 generally has a rounded rectangular shaped geometry. In the illustrated embodiment the tilting bearing element 1104 includes a discrete, unitary superhard bearing surface 1116. The tilting bearing element 1104 optionally includes multiple layers or other components. For example, the tilting bearing element 1104 may be a superhard bearing element or compact that includes a superhard table 1118 bonded to a substrate 1120. The superhard table 1118 and the substrate 1120 may be fabricated from the same materials described above for the tilting bearing elements 104 shown in FIGS. 1A and 1B.

[0135] In an embodiment, the tilting bearing element 1104 may be secured within a support ring (not shown) in a manner that allows the tilting bearing element 1104 to rotate relative to the support ring. For instance, the tilting bearing element 1104 may be machined or otherwise formed to include a recess 1127 (e.g., a partial hole or through hole), an opening, or other structure into which a pin (not shown) attached to the support ring may be at least partially received or secured. The recess 1127 may define or correspond to a tilt axis 1125 that allows the tilting bearing element 1104 to rotate about the pin relative to the support ring. The recess 1127 may be machined or otherwise formed in the substrate 1120 or in another metallic material layer, such as steel or another alloy, attached to the substrate 1120 (e.g., a base surface). In some embodiments, the tilt axis 1125 and/or the recess 1127 of the tilting bearing element 1104 is substantially centered relative to an axis of symmetry on the bearing surface 1016 of the tilting bearing element 1104. In other embodiments, the tilt axis 1125 and/or recess 1127 may be offset relative to axes of symmetry on the bearing surface 1016 of the tilting bearing element 1104.

[0136] In addition, the tilting bearing element 1104 may be machined or otherwise formed to include a pivot 1128 for facilitating tilting or rotation of the tilting bearing element 1104. In the illustrated embodiment, the pivot 1128 may comprise a convex portion formed on the base surface of the tilting bearing element 1104 that exhibits a generally semi-elliptical shape. In other embodiments, the tilting bearing element 1104 may include leveling links, pivotal rockers, other elements, or any combination of the foregoing may also be used to facilitate tilting of the tilting bearing elements 1104. The pivot 1128 may comprise substantially the entire base surface of the tilting bearing element 1104. In some embodiments, the pivot 1128 may be formed on only a portion of the base surface of the tilting bearing element 1104. The substrate 1120 may be directly machined or formed to include the pivot 1128. In other embodiments, the pivot 1128 may be formed in an additional layer attached to a base surface of the substrate 1120. The pivot 1128 may be formed by CNC milling, electro-discharge machining, laser-cutting, grinding, combinations thereof, or other suitable techniques.

[0137] FIGS. 11A and 11B are isometric cutaway and isometric cross-sectional views, respectively, of a thrust-bearing

apparatus 1200 that may employ any of the disclosed thrust-bearing assemblies according to another embodiment. Similar to the thrust-bearing apparatus 500, the thrust-bearing apparatus 1200 may include a rotor 1254 and a stator 1256. Generally, the rotor, the stator, or both may include one or more tilting bearing elements. In the illustrated embodiment, the stator 1256 may be configured as any of the described embodiments of tilting bearing assemblies, or may include any of the described embodiments of tilting bearing elements. The stator 1256 may include a support ring 1202 and a plurality of tilting bearing elements 1204 mounted or otherwise attached to the support ring 1202 by way of a fastener or pin 1224, with each of the tilting bearing elements 1204 having a superhard bearing surface 1216. The tilting bearing elements 1204 may be tilted and/or tilt relative to a tilt axis (not shown) extending generally along a longitudinal axis of the pin 1224 or other horizontal axis. The tilting bearing elements 1204 may be fixed at a particular tilt, may be manually adjusted to exhibit a selected tilt, may self-establish at a particular tilt, or may be otherwise configured. The terms “rotor” and “stator” refer to rotating and stationary components of the tilting bearing apparatus 1200, respectively. For instance, the support ring 1202 and tilting bearing elements 1204 may remain stationary while a support ring 1258 of the rotor 1254 rotates. However, the rotating and stationary status of the illustrated embodiments may be also be reversed.

[0138] The rotor 1254 may be configured in any suitable manner, including in accordance with embodiments described herein. In the illustrated embodiment, the rotor 1254 may include the support ring 1258 and a plurality of non-tilting superhard bearing elements 1262 mounted or otherwise attached to the support ring 1258, with each of the superhard bearing elements 1262 having a superhard bearing surface 1270. As shown, a shaft 1264 may be coupled to the support ring 1258 and operably coupled to an apparatus capable of rotating the shaft 1264 in a direction R (or in a generally opposite direction), such as a downhole motor. For example, the shaft 1264 may extend through and may be secured to the support ring 1258 of the rotor 1254 by press-fitting or threadly coupling the shaft 1264 to the support ring 1258 or another suitable technique. A housing 1266 may be secured to the support ring 1202 of the stator 1256 and may extend circumferentially about the shaft 1264 and the rotor 1254. In other embodiments, both the rotor 1254 and stator 1256 may include tilting bearing elements. For example, the rotor 1254 may include a plurality of tilting bearing elements connected to the support ring 1258.

[0139] In operation, lubricating fluid (which may include, for example, lubricating fluid, drilling fluid, or mud) may be pumped between the shaft 1264 and the housing 1266, and between the tilting bearing elements 1204 of the stator 1256 and the superhard bearing elements 1262 of the rotor 1254. More particularly, rotation of the rotor 1254 at a sufficient rotational speed and at appropriate loading conditions, may cause a fluid film 1268 to develop between the superhard bearing surfaces 1216 of the stator 1256 and the superhard bearing surface 1270 of the rotor 1254. The fluid film 1268 may develop under certain operational conditions in which the rotational speed of the rotor 1254 is sufficiently great and the thrust load is sufficiently low. The tilting bearing elements 1204 of the stator 1256 may have a leading edge at a different position than a trailing edge relative to the rotor 1254. For example, the tilting bearing elements 1204 may be tilted such that a greater separation exists between the tilting bearing

elements 1204 and the superhard bearing elements 1262 at the leading edge than at the trailing edge. Under such circumstances, the fluid film 1268 may have a variable thickness across the tilting bearing element 1204. The fluid film 1268 can have sufficient pressure to prevent contact between the respective superhard bearing surfaces and, thus, reduce wear of the tilting bearing elements 1204 and the superhard bearing elements 1262. In such a situation, the thrust-bearing apparatus 1200 may be described as operating hydrodynamically. When the thrust loads exceed a certain value and/or the rotational speed of the rotor 1254 is reduced, the pressure of the fluid film 1268 may not be sufficient to prevent the superhard bearing surfaces 1270 of the rotor 1254 and the superhard bearing surfaces 1216 of the stator 1256 from contacting each other. Thus, the thrust-bearing apparatus 1200 may be operated to lubricate the contact area between the superhard bearing surfaces 1270 of the rotor 1254 and the superhard bearing surfaces 1216 of the stator 1256 or as a hydrodynamic bearing. It is noted that in other embodiments, the rotor or stator may be configured as any of the previously described embodiments of thrust-bearing assemblies.

[0140] FIGS. 12A to 12C are isometric, exploded, and isometric partial cross-sectional views, respectively, of a radial bearing apparatus 1300 according to yet another embodiment. The radial bearing apparatus 1300 may include an inner race 1354 (e.g., a runner or rotor) that may have an interior surface 1367 defining an opening 1355 for receiving a shaft or other component. The inner race 1354 may also include a plurality of circumferentially adjacent superhard bearing elements 1362 (e.g., a plurality of superhard compacts) extending radially beyond an exterior surface 1369 of the inner race 1354, each of which may include a convexly-curved superhard bearing surface 1370. In the illustrated embodiment, the superhard bearing surfaces 1370 may have a generally rounded rectangular geometry. In other embodiments, the bearing surfaces may have a generally elliptical geometry, a generally cylindrical geometry, a generally wedge-like geometry, combinations of the foregoing, or any other suitable geometric shape.

[0141] The radial bearing apparatus 1300 may further include an outer race 1356 (e.g., a stator) configured to extend about and/or receive the inner race 1354. The outer race 1356 may include a plurality of circumferentially adjacent tilting bearing elements 1304, each of which may comprise a superhard bearing element or compact including a superhard bearing surface 1316. The superhard bearing surface 1316 may be substantially planar. However, in other embodiments the superhard bearing surface 1316 may include a convexly-curved superhard bearing surface to generally mirror the convexly-curved superhard bearing surfaces of the inner race 1354. The terms “rotor” and “stator” refer to rotating and stationary components of the radial bearing system 1300, respectively. Thus, if the inner race 1354 is configured to remain stationary, the inner race 1354 may be referred to as the stator and the outer race 1356 may be referred to as the rotor.

[0142] The radial bearing apparatus 1300 may be employed in a variety of mechanical applications. For example, so-called “rotary cone” rotary drill bits, pumps, turbo machinery, transmissions, or turbines may benefit from a radial bearing apparatus discussed herein. In operation, rotation of a shaft (not shown) secured to the inner race 1354 may affect rotation of the inner race 1354 relative to the outer race 1356. Lubricating fluid may be pumped through the radial bearing appa-

ratus 1300. When the inner race 1354 rotates, the tilting bearing elements 1304 may allow for the lubricating fluid to develop a film between the superhard bearing surfaces 1316 of the outer race 1356 and the bearing surfaces 1370 of the inner race 1354. As previously described with respect to the thrust-bearing apparatus 1200, at sufficient rotational speeds for the inner race 1354, a fluid film may develop between the superhard bearing surfaces 1316, 1370, of the tilting bearing elements 1304 and the superhard bearing elements 1362.

[0143] As further illustrated in FIGS. 12A and 12C, the outer race 1356 includes a support ring 1302 extending about a rotation axis 1306. To support the tilting bearing elements 1304, the support ring 1302 may define a plurality of recesses 1310 for the tilting bearing elements 1304. The tilting bearing elements 1304 may be supported or at least partially secured within the support ring 1302 in any suitable manner. For example, retaining features, such as pins or fasteners 1324 may be used to secure the tilting bearing elements 1304 within the support ring 1302, although any other suitable securement or attachment mechanism may also be utilized.

[0144] The tilting bearing elements 1304 of the illustrated embodiment generally have a rounded rectangular shaped geometry. In other embodiments, the tilting bearing elements 1304 may have a generally elliptical shaped geometry, a generally cylindrical shaped geometry, a generally non-cylindrical shaped geometry, combinations thereof, or any other suitable shaped geometry. As noted above, each tilting bearing element 1304 may comprise a superhard bearing element or compact having a superhard table 1318 including the superhard bearing surface 1316. The superhard bearing surface 1316 may be curved (e.g., convexly-curved) or substantially planar and, in some embodiments, may include a peripheral chamfer. In other embodiments, the superhard bearing surface 1316 may be otherwise curved, lack a chamfered edge, may have another contour or configuration, or any combination of the foregoing. Further, each superhard bearing surface 1316 may be tilted. For example, the tilting bearing elements 1304 may be tilted and/or tilt relative to a tilt axis 1325 extending generally along a longitudinal axis of the pin 1324 or other axis. The tilting bearing elements 1304 may be fixed at a particular tilt, may be manually adjusted to exhibit a selected tilt, may be self-establish at a particular tilt, or may be otherwise configured. Each superhard table 1318 may be bonded to a corresponding substrate 1320. The superhard tables 1318 and substrates 1320 may be fabricated from the same materials described above for the tilting pads 104 shown in FIGS. 1A and 1B. The illustrated tilting bearing element 1304 may include one or more recesses (not shown), openings, or other structures into which the pin 1324 may be at least partially received or secured. The one or more recesses may be machined or otherwise formed in the substrate 1320 or in another material layer attached to a base surface of the substrate 1320. Like the tilting bearing element 1104, the tilting bearing element 1304 may include generally semi-elliptical pivot 1328 to facilitate tilting of the tilting bearing element 1304 in the recesses 1310.

[0145] Each superhard bearing surface 1316 of a corresponding tilting bearing element 1304 may be tilted in a manner that facilitates formation of a fluid film between the inner race 1354 and the outer race 1356. Each tilting bearing element 1304 may be tilted and/or tilt about the tilt axis 1325. As a result, the bearing surfaces 1316 of the tilting bearing elements 1304 may be tilted at a positive or negative angle relative to the inner and outer surfaces of the support ring

1302 and in a circumferential fashion. A leading edge (i.e., an edge of a tilting bearing element 1304 that would be traversed first by a line on a runner/stator while the rotor moves in the direction of rotation) of the tilting bearing element 1304 may help to sweep lubricant or another fluid onto the superhard bearing surfaces 1316 of the stator 1356 to form a fluid film in a manner similar to the tilting bearing elements 1204 shown in FIGS. 11A and 11B. In other embodiments, the radial bearing apparatus 1300 may be configured as a journal bearing. In such an embodiment, the inner race 1354 may be positioned eccentrically relative to the outer race 1356.

[0146] Also illustrated in FIGS. 12A and 12B, the inner race 1354 of the radial bearing apparatus 1300 is shown with a support ring 1358 that includes a plurality of recesses 1372 configured to receive the plurality of superhard bearing elements 1362. The superhard bearing elements 1362 may be secured within the recess or otherwise secured to the support ring 1358 by brazing, welding, locking, press-fitting, using fasteners, or another suitable technique. The superhard bearing elements 1362 may be distributed circumferentially and/or longitudinally relative to the axis 1306. Where the superhard bearing elements 1362 include a superhard table 1374 and/or a substrate 1376, the superhard table 1374 and substrate 1376 may be fabricated from the same materials described above for the tilting pads 104 shown in FIGS. 1A to 1D. In other embodiments, the inner race 1354 may define a superhard bearing surface that is formed from only a single element, such that there are not multiple superhard bearing elements. For instance, a single, unitary superhard bearing element may be used where the size of the inner race 1354 is sufficiently small.

[0147] FIG. 13 is schematic isometric cutaway view of a subterranean drilling system 1400 according to another embodiment. The subterranean drilling system 1400 may include a housing 1460 enclosing a downhole drilling motor 1462 (i.e., a motor, turbine, or any other device capable of rotating an output shaft) that may be operably connected to an output shaft 1456. A thrust-bearing apparatus 1464 may be operably coupled to the downhole drilling motor 1462. The thrust-bearing apparatus 1464 may be configured as any of the previously described thrust-bearing apparatus embodiments. A rotary drill bit 1468 may be configured to engage a subterranean formation and drill a borehole and may be connected to the output shaft 1456. The rotary drill bit 1468 is shown comprising a bit body 1490 that includes radially and longitudinally extending blades 1492 with a plurality of PDCs 1494 secured to the blades 1492. However, other embodiments may utilize different types of rotary drill bits, such as core bits or roller-cone bits. As the borehole is drilled, pipe sections may be connected to the subterranean drilling system 1400 to form a drill string capable of progressively drilling the borehole to a greater depth within the earth.

[0148] The thrust-bearing apparatus 1464 may include a stator 1472 that does not rotate and a rotor 1474 that may be attached to the output shaft 1456 and rotates with the output shaft 1456. As discussed above, the thrust-bearing apparatus 1464 may be configured as any of the embodiments disclosed herein. For example, the stator 1472 may include at least one tilting bearing element (not shown) similar to or identical to those shown and described herein. The rotor 1474 may include a plurality of circumferentially-distributed superhard bearing elements (not shown).

[0149] In operation, lubricating fluid may be circulated through the downhole drilling motor 1462 to generate torque

and rotate the output shaft **1456** and the rotary drill bit **1468** attached thereto so that a borehole may be drilled. A portion of the lubricating fluid may also be used to lubricate opposing bearing surfaces of the stator **1472** and the rotor **1474**. Optionally, when the rotor **1474** is rotated, the tilting bearing elements of the stator **1472** and/or the rotor **1474** may be configured to assist with formation of a hydrodynamic film between the opposing bearing surfaces by sweeping lubricating fluid between the opposing bearing surfaces.

[0150] Although the bearing assemblies and apparatuses described above have been discussed in the context of subterranean drilling systems and applications, in other embodiments, the bearing assemblies and apparatuses disclosed herein are not limited to such use and may be used for many different applications, if desired, without limitation. Thus, such bearing assemblies and apparatuses are not limited for use with subterranean drilling systems and may be used with various other mechanical systems, without limitation.

[0151] While various aspects and embodiments have been disclosed herein, other aspects and embodiments are contemplated. The various aspects and embodiments disclosed herein are for purposes of illustration and are not intended to be limiting. Additionally, the words “including,” “having,” and variants thereof (e.g., “includes” and “has”) as used herein, including the claims, shall be open ended and have the same meaning as the word “comprising” and variants thereof (e.g., “comprise” and “comprises”).

1. A bearing assembly, comprising:
 - a support ring;
 - a plurality of superhard bearing elements positioned on the support ring, each of the plurality of superhard bearing elements including a superhard element having a bearing surface and a base portion bonded to the superhard element; and
 - a plurality of tilting members, each of the plurality of tilting members attached to or integrated with a corresponding one of the plurality of base portions, each of the plurality of tilting members configured to allow a corresponding one of the plurality of superhard bearing elements to tilt about a corresponding tilt axis.
2. The bearing assembly of claim **1** wherein each of the corresponding tilt axes is oriented radially or axially relative to an axis of rotation of the support ring.
3. The bearing assembly of claim **2** wherein each of the radially-oriented tilt axes extends from the axis of rotation of the support ring.
4. The bearing assembly of claim **3** wherein the axis of rotation of the support ring is substantially perpendicular to each of the corresponding tilt axes.
5. The bearing assembly of claim **1** wherein each of the plurality of tilting members includes a convex tilting feature.
6. The bearing assembly of claim **5** wherein the convex tilting feature includes at least one of a generally semi-elliptical pivot, a generally semi-hemispherical pivot, a rounded pivot, a rocker pivot, or a generally semi-cylindrical pivot.
7. The bearing assembly of claim **5** wherein the convex tilting feature includes a generally hemispherical, a rounded, or a generally cylindrical pivot.
8. The bearing assembly of claim **1** wherein each of the plurality of tilting members secures a corresponding one of the plurality of superhard bearing elements to the support ring.

9. The bearing assembly of claim **1** wherein each of the plurality of superhard bearing elements is tiltable about the corresponding tilt axis by about 0.5 degrees to about 20 degrees.

10. The bearing assembly of claim **1** wherein the base portion includes a base recess extending at least partially therethrough and having a corresponding tilting member of the plurality of tilting members positioned at least partially therein.

11. The bearing assembly of claim **10** wherein the base recess is a through hole.

12. The bearing assembly of claim **10** wherein the base recess is a blind hole.

13. The bearing assembly of claim **1** wherein each of the plurality of tilting members is a pin.

14. The bearing assembly of claim **1** wherein the base portion includes a metallic portion attached to a substrate that is attached to the superhard element.

15. The bearing assembly of claim **1** wherein each of the corresponding tilt axes is closer to one of a leading edge or a trailing edge thereof.

16. The bearing assembly of claim **1** wherein each of the corresponding tilt axes is substantially centered relative to a leading edge and a trailing edge thereof of a corresponding one of the plurality of superhard bearing elements.

17. The bearing assembly of claim **1** wherein the superhard element includes a polycrystalline diamond body having the bearing surface.

18. The bearing assembly of claim **17** wherein the polycrystalline diamond body is bonded to a substrate.

19. The bearing assembly of claim **1** wherein each of the plurality of tilting members allows a corresponding one of the plurality of superhard bearing elements to tilt in a single direction.

20. The bearing assembly of claim **1** wherein each of the plurality of tilting members allows a corresponding one of the plurality of superhard bearing elements to tilt in two directions.

21. The bearing assembly of claim **1** wherein:

the base portion includes a base recess extending at least partially therethrough and having a corresponding tilting member of the plurality of tilting members positioned at least partially therein; and

each of the plurality of tilting members includes a convex tilting feature that has a generally hemispherical, a rounded, or a generally cylindrical pivot.

22. A bearing apparatus, comprising:

a first bearing assembly including:

a first support ring;

a first support ring;

a plurality of superhard bearing elements positioned on the support ring, each of the plurality of superhard bearing elements including a superhard element having a bearing surface and a base portion bonded to the superhard element;

a plurality of tilting members, each of the plurality of tilting members attached to or integrated with a corresponding one of the base portions, each the plurality of tilting members configured to allow a corresponding one of the plurality of superhard bearing elements to tilt about a corresponding tilt axis; and

a second bearing assembly including:

a second plurality of superhard bearing elements generally opposed the plurality of superhard bearing elements of the first bearing assembly; and

a second support ring that carries the second plurality of superhard bearing elements.

23. A motor assembly for use in drilling a subterranean formation, the motor assembly comprising:

a motor operable to apply torque to a rotary drill bit, the motor operably coupled to a bearing apparatus, the bearing apparatus including a rotor and a stator; and

wherein at least one of the stator or the rotor includes:

a support ring;

a plurality of superhard bearing elements positioned on the support ring, each of the plurality of superhard bearing elements including a superhard element having a bearing surface and a base portion bonded to the superhard element; and

a plurality of tilting members, each of the plurality of tilting members attached to or integrated with a corresponding one of the base portions, each the plurality of tilting members configured to allow a corresponding one of the plurality of superhard bearing elements to tilt about a corresponding tilt axis.

* * * * *