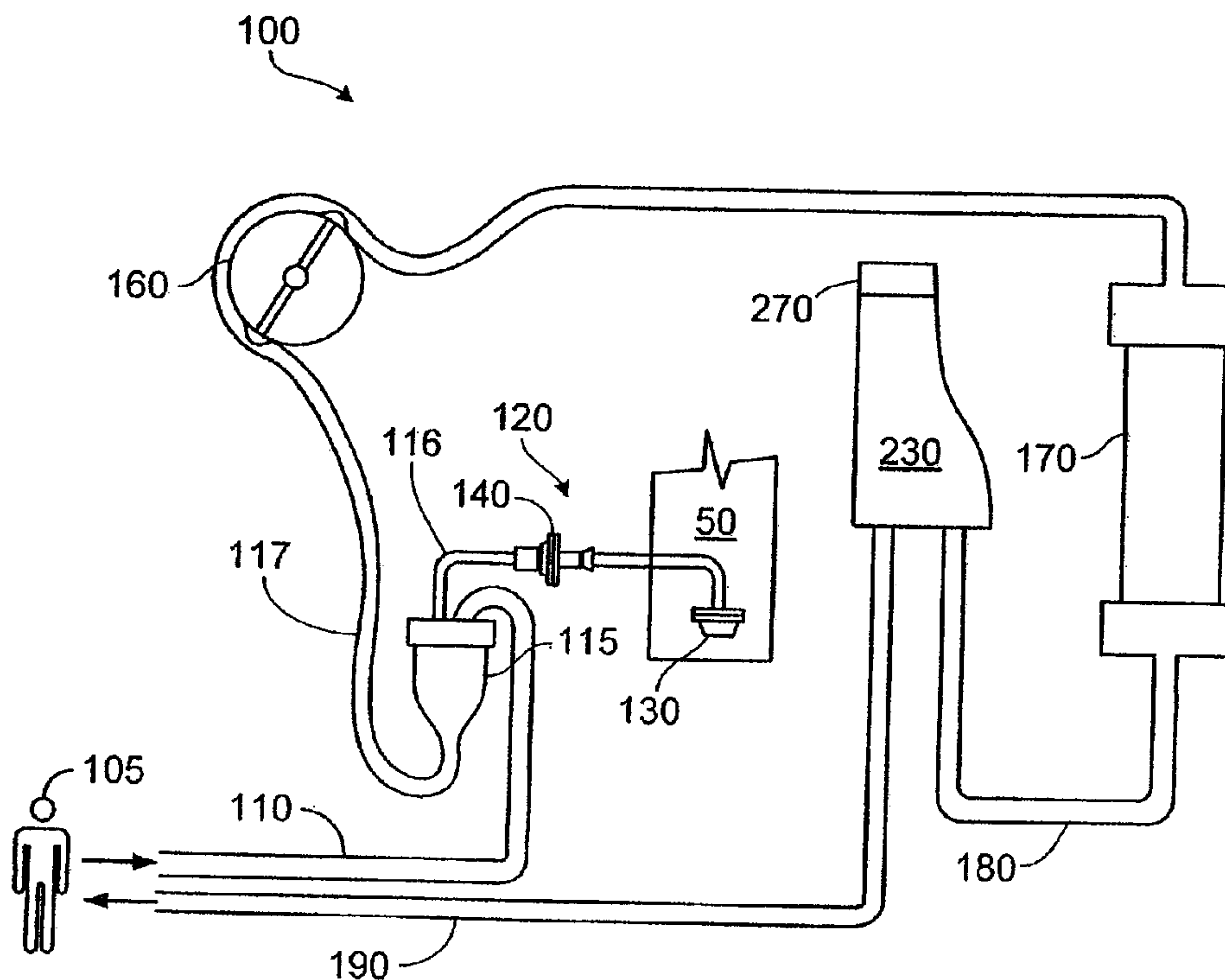




(22) Date de dépôt/Filing Date: 2010/06/03
(41) Mise à la disp. pub./Open to Public Insp.: 2010/12/26
(30) Priorité/Priority: 2009/06/26 (US12/492,725)

(51) Cl.Int./Int.Cl. *A61J 1/14* (2006.01),
A61J 1/10 (2006.01), *C08L 1/28* (2006.01),
C08L 23/06 (2006.01), *C08L 33/12* (2006.01)
(71) Demandeur/Applicant:
FRESENIUS MEDICAL CARE HOLDINGS, INC., US
(72) Inventeurs/Inventors:
WEAVER, COLIN, US;
CRNKOVICH, MARTIN JOSEPH, US;
FOLDEN, THOMAS IRVIN, US
(74) Agent: LANG MICHENER LLP

(54) Titre : RECIPIENT MEDICAL POUR HEMODIALYSE COMPRENANT UN EVENT AUTO-OBTURANT
(54) Title: MEDICAL HEMODIALYSIS CONTAINER INCLUDING A SELF SEALING VENT



(57) Abrégé/Abstract:

A container for use with a hemodialysis apparatus having a vent structure is described. The vent structure is porous, and allows air in the container to vent when the container is being filled with fluid, but expands when the vent structure becomes wet, when filling is complete, thereby closing off the pores and inhibiting (e.g., preventing) fluid from flowing through the vent structure, and reentry of air into the container. The vent structure can also include a micro-porous membrane.

ABSTRACT OF THE DISCLOSURE

A container for use with a hemodialysis apparatus having a vent structure is described. The vent structure is porous, and allows air in the container to vent when the container is being filled with fluid, but expands when the vent structure becomes wet, when filling is complete, thereby closing off the pores and inhibiting (e.g., preventing) fluid from flowing through the vent structure, and reentry of air into the container. The vent structure can also include a micro-porous membrane.

MEDICAL HEMODIALYSIS CONTAINER INCLUDING A SELF SEALING VENT

BACKGROUND OF THE INVENTION

[0001] Hemodialysis solution must be produced for hemodialysis based on an electrolyte content essentially corresponding to that of the blood of a patient to be treated.

[0002] Hemodialysis removes toxic substances and metabolic waste from the bloodstream using an extracorporeal circuit with components designed to perform ultrafiltration and diffusion on the blood. Before the blood is returned to the body, air bubbles are removed from the blood to inhibit embolisms.

[0003] Dialysis is performed as a treatment for patients suffering from renal insufficiency. This is performed either in the peritoneum or through extracorporeal dialysis or filtration of blood. These two methods have in common the fact that dialysis fluids or dialysates take up the degradation products of metabolism. These dialysates usually contain high levels of sodium chloride and other electrolytes such as calcium chloride or potassium chloride, a buffer substance such as bicarbonate or acetate and acid to establish a physiological pH plus optionally glucose or another osmotic agent.

[0004] Dialysates are either supplied as ready-to-use solutions or they are prepared on site from concentrates, including solid concentrates. Solids offer the advantage of a small package volume and a low weight. Although solids also have disadvantages--electrolyte salts, for example, are highly hygroscopic--there is a trend toward offering only solid components for preparation of dialysates.

[0005] During hemodialysis using systems such as described in U.S. Patent 5,385,564 and U.S. Patent 5,616,305, incorporated by reference herein, dry bicarbonate or acid concentrate is mixed with dialysate via a container using one or more ports. Even when the container is filled there is always air remaining in the container. The system cannot remove all of the air from the container without evacuating the air from the container via a vacuum system to create negative pressure, before filling the container with water. The present invention provides a solution to the air problem in the container without the use of a vacuum system, and will allow air to be removed from the bag during the initial fill with bicarbonate

or other compound, such that the container can be optimized or reduced in size which allows for improved mixing with a smaller container.

BRIEF SUMMARY OF THE INVENTION

[0006] In one aspect, an extracorporeal medical fluid circuit component is described. The component includes a vent assembly. A vent structure adjacent to a micro-porous membrane forms the vent assembly. The vent structure is porous, but expands when the vent structure becomes wet, thereby closing off the pores and inhibiting (e.g., preventing) fluid from flowing through the vent structure. The vent structure also protects the membrane from becoming wet, such as from condensation. The component is capable of being used in an extracorporeal medical fluid circuit.

[0007] In another aspect, a transducer protector includes a body that defines a fluid pathway. A vent assembly is disposed in the fluid pathway. The vent assembly includes a vent structure and a micro-porous membrane. The vent structure is porous, but expands when the vent structure becomes wet, thereby closing off the pores and inhibiting (e.g., preventing) fluid from flowing through the vent structure. The vent structure also protects the membrane from becoming wet, such as from condensation. The transducer protector is capable of being connected in fluid communication with a fluid circuit and a pressure transducer such that the vent assembly inhibits liquid flowing in the fluid circuit from contacting the pressure transducer.

[0008] In a further aspect, an extracorporeal medical fluid circuit apparatus, e.g., for removing air from a bodily liquid in extracorporeal circuitry used in a hemodialysis machine, is described. The apparatus includes a chamber having a fluid entry port, a fluid exit port, and a vent assembly. The vent assembly includes a micro-porous membrane and a vent structure adjacent to the micro-porous membrane. The vent structure includes a porous material that is capable of swelling when moistened. The fluid entry port and the fluid exit port are arranged to allow liquid to pass through the chamber from the entry port to the exit port so as to fill the chamber with the liquid when back pressure is applied, and the vent assembly is arranged to allow gas to exit the chamber as the liquid passes through the chamber.

[0009] In yet another aspect, an integrated fluid circuit component adapted to removably seat in a dialysis machine is described. The component includes a rigid body having a substantially flat main portion, and a plurality of recessed portions extending from the flat main portion, and a flexible backing covering at least one of the of recessed portions. A first recessed portion of the plurality of recessed portions forms a chamber. A second recessed portion of the plurality of recessed portions forms a first channel that is in fluid communication with the chamber, and a third recessed portion of the plurality of recessed portions forms a second channel in fluid communication with the chamber. The component also includes a vent assembly that is in fluid communication with the chamber. The vent assembly includes a micro-porous membrane and a vent structure.

[0010] In yet another aspect, a dialysis system is described. The system includes a machine body, a pump on the machine body, and fluid circuitry (e.g., tubes) in fluid communication with the pump. The pump is configured to push fluid through the circuitry. The system also includes a vent assembly in fluid communication with the fluid circuitry. The vent assembly includes a micro-porous membrane and a vent structure adjacent to the micro-porous membrane. The vent structure includes a porous material that is capable of swelling when moistened.

[0011] In another aspect, a method of removing air from a liquid in dialysis circuitry is described. A chamber with an entry port, an exit port, a micro-porous membrane and a vent structure is provided. A first liquid is passed through the entry port, filling the chamber so that substantially no air remains in the chamber. A second liquid is passed through the entry port, forcing a portion of the first liquid out of an exit port of the chamber and forming a liquid-liquid interface between the first and second liquids. Any gas bubbles contained in the second liquid can be forced out of the chamber through the micro-porous membrane and the vent structure.

[0012] In an embodiment, it is also contemplated that one aspect of the present invention comprises a container suitable for use in dialysis and also has at least one opening, and further comprises a vent structure or a vent assembly that allows air to be vented from the container through the filling of the container with fluid.

[0013] In another embodiment, the present invention comprises a bag made of a flexible material and suitable for use in dialysis, and having at least one opening, the bag further

comprises the vent structure or vent assembly that allows air to be vented from the bag through the filling of the bag with fluid.

[0014] Embodiments of the disclosed methods, systems and devices may include one or more of the following features.

[0015] The vent structure can have an average pore size of about 5 to about 50 microns and in an embodiment about 15 microns to about 45 microns.

[0016] The vent structure can include a polymer such as polyethylene (e.g., high density polyethylene (HDPE)), polypropylene, polystyrene, or another suitable polymer.

[0017] The vent structure includes a swelling agent such as carboxymethylcellulose (CMC), methyl-ethyl-cellulose or other similar swelling agents.

[0018] The swelling agents can include homo- and copolymers of vinyl esters, in particular vinyl acetate homopolymers and vinyl acetate copolymers with ethylene, acrylates, maleic acid esters, vinylamides and/or other vinylacyl derivatives. See for example, U.S. Patent No. 5,731,365.

[0019] Other swelling agents that can be used are homo- and copolymers of acrylic and methacrylic acid esters, such as, for example, copolymers of methyl methacrylate and n-butyl acrylate or 2-ethylhexyl acrylate.

[0020] The swellable polymers and copolymers mentioned which are based on vinyl esters, acrylic acid esters and methacrylic acid esters can comprise, as further comonomers, for example, styrene, butadiene, vinylamides, olefinically unsaturated carboxylic acids and derivatives thereof, olefinically unsaturated sulphonic acids and derivatives thereof, vinylphosphonic acid and derivatives thereof, or polyglycol esters of unsaturated acids.

[0021] The vent structure can include a blend of a polymer and a swelling agent.

[0022] The vent structure can have a thickness at least as thick as the thickness of the micro-porous membrane.

[0023] The micro-porous membrane can have an average pore size of about 0.05 microns to about 0.45 microns (e.g., about 0.22 microns or about 0.2 microns).

[0024] The micro-porous membrane can be held by a plastic ring (e.g., by insert molding, heat welding, ultrasonic welding, adhesive, clamping, etc.) and the assembly can also include an insert for holding the micro-porous membrane adjacent to the vent structure.

[0025] In some embodiments, a structure or assembly can include a plastic ring into which the micro-porous membrane is press-fit, wherein the ring surrounds the vent structure and retains the vent structure adjacent to the micro-porous membrane.

[0026] The vent structure can include a first porous layer adjacent to the micro-porous membrane, and a second porous layer adjacent to the first porous layer.

[0027] The second porous layer can include a porous material that is capable of swelling when moistened.

[0028] The first porous layer can also include a porous material that is capable of swelling when moistened.

[0029] The second porous layer can have a greater propensity to swell in the presence of moisture than the first porous layer.

[0030] The second porous layer can have an average pore size that is greater than an average pore size of the first porous layer. For example, the first porous layer can have an average pore size of about 10 microns, and the second porous layer can have an average pore size of about 30 microns.

[0031] The second porous layer can include about 5% to about 50% by weight carboxymethylcellulose (e.g., about 10% by weight carboxymethylcellulose).

[0032] The first porous layer can include 0% to about 10% by weight carboxymethylcellulose (e.g., less than 5% by weight carboxymethylcellulose).

[0033] The extracorporeal medical fluid circuit component can be configured for use in an air release chamber.

[0034] The extracorporeal medical fluid circuit component can be configured for use in a transducer protector.

[0035] The extracorporeal medical fluid circuit component can be configured for use in a blood circuit. The blood circuit can be capable of being used with a dialysis machine.

[0036] The micro-porous membrane can be between the vent structure and the chamber.

[0037] The vent structure can include porous material that is capable of swelling when moistened.

[0038] The vent assembly can include a micro-porous hydrophobic membrane adjacent to the vent structure.

[0039] The dialysis system can include a pressure transducer and a transducer protector that includes the vent assembly.

[0040] The transducer protector can be disposed between, and in fluid communication with, the circuitry and the pressure transducer.

[0041] Passing the second liquid through the entry port can include passing moisture from the second liquid through the micro-porous membrane and allowing the moisture to pass through the vent structure, causing the swelling agent within the vent structure to swell.

[0042] In yet another embodiment, the container of the present invention has at least two openings, such as an inlet and an outlet. It is understood by those of ordinary skill in the art, that the container may be made of any materials suitable for use in dialysis applications, for example, plastics such polypropylene, polyethylene or PVC are suitable. The container of the present invention can also be composed of a rigid plastic as well, such as seen in a cartridge application.

[0043] In a further embodiment, the container of the present invention comprises a flexible bag with the vent structure, providing at least a single opening and inside the bag it contains a powdered compound suitable for use in hemodialysis treatment. It is also contemplated that in another embodiment, the flexible bag with the vent structure, has at least two openings, such as an inlet and an outlet.

[0044] It is also contemplated that the container or bag of the present invention comprises a vent assembly which includes a microporous membrane and a vent structure. The microporous membrane is located adjacent to the vent structure. The vent structure is porous, but expands when the swelling agent within the vent structure becomes wet, thereby closing off the pores and inhibiting (e.g., preventing) fluid from flowing through the vent structure. The micro-porous membrane of the vent assembly can be located between the vent structure and the inside of the container or bag to impede or inhibit liquid from reaching the vent structure. The vent structure also protects the membrane from becoming wet, such as from condensation.

[0045] The vent structure of the present invention is constructed in a manner that when the water contacts the vent structure, the swelling agent within the vent structure will absorb water and will fill the pores of the first or second porous layers in the vent and will result in the vent sealing itself and prevent the leakage or passage of the fluid through the vent structure .

[0046] In another embodiment, the vent structure or vent assembly is located at the top or highest point of the container relative to the ground. Addition of fluid through one of the

LM - #129971v1

openings of the container will displace the air in the container and allow the air to leave the container via the vent structure. Once all of the air is displaced or vented from the container, and the fluid comes in contact with the micro-porous membrane of the vent assembly, the liquid will eventually pass through the hydrophobic micro-porous membrane and contact the swelling agent in the vent structure, causing the vent structure to seal itself.

BRIEF DESCRIPTION OF THE SEVERAL VIEWS OF THE DRAWINGS

- [0047] FIG. 1 is a schematic diagram of an extracorporeal fluid circuit for hemodialysis system.
- [0048] FIG. 2 is schematic view of a pressure sensor assembly.
- [0049] FIG. 3A is side view of a transducer protector.
- [0050] FIG. 3B is a cross-sectional side view of the transducer protector of FIG. 3A.
- [0051] FIG. 4A is a cross-sectional side view of a first part of the transducer protector of FIG. 3A.
- [0052] FIG. 4B is a cross-sectional side view of a second part of the transducer protector of FIG. 3A.
- [0053] FIGS. 5A-5C are cross-sectional views illustrating the assembly of the transducer protector of FIG. 3A.
- [0054] FIGS. 6A and 6B illustrate a dialysis machine measuring pressure patterns of an extracorporeal blood circuit.
- [0055] FIG. 7 is a schematic cross-sectional view of an air release chamber with a vent assembly.
- [0056] FIG. 7A is a schematic top view of the air release chamber of FIG. 7.
- [0057] FIG. 7B is a schematic bottom view of the air release chamber of FIG. 7.
- [0058] FIG. 7C is a schematic perspective view of the air release chamber of FIG. 7.
- [0059] FIGS. 7D, 7E, and 7F are each schematic cross-sectional views of air release chambers.
- [0060] FIG. 8 is a schematic top view of a hydrophobic filter assembly.
- [0061] FIG. 8A is a schematic cross-sectional view of the hydrophobic filter assembly of FIG. 8, taken along line 8A-8A.
- [0062] FIG. 9 is a schematic top view of a vent structure.

- [0063] FIG. 9A is a cross-sectional view of the vent structure of FIG. 9, taken along line 9A.
- [0064] FIG. 10 is a schematic top view of an insert.
- [0065] FIG. 10A is a cross-sectional view of the insert of FIG. 10, taken along line 10A-10A.
- [0066] FIG. 10B is a side view of the insert of FIG. 10.
- [0067] FIG. 11 is a schematic top view of a retainer.
- [0068] 11A is a cross-sectional view of the retainer of FIG. 11, taken along line 11A-11A.
- [0069] FIG. 12 is a schematic cross-sectional view of a vent assembly.
- [0070] FIG. 13 is a schematic side view of a chamber and port cap than can be assembled to form a bottom entry/bottom exit chamber.
- [0071] FIG. 14 is a schematic side view of a bottom entry/bottom exit chamber.
- [0072] FIG. 15 is a schematic cross-sectional view of a bottom entry/bottom exit chamber and a vent assembly.
- [0073] FIG. 16 is a schematic side view of a bottom entry/bottom exit chamber with a vent assembly.
- [0074] FIG. 17 is a schematic top view of a filter assembly.
- [0075] FIG. 17A is a cross-sectional view of the filter assembly of FIG. 17, taken along line 17A-17A.
- [0076] FIG. 17B is a side view of the filter assembly of FIG. 17.
- [0077] FIG. 18 is a schematic cross-sectional view of a vent assembly.
- [0078] FIG. 19 is a schematic side view of a bottom entry/bottom exit chamber and a vent assembly.
- [0079] FIG. 20 is a schematic cross-sectional view of a bottom entry/bottom exit chamber and a vent assembly.
- [0080] FIG. 21 is a schematic side view of a bottom entry/bottom exit chamber and a vent assembly.
- [0081] FIG. 22 is a flow diagram for using an air release chamber in an extracorporeal circuit.
- [0082] FIG. 23 is a schematic diagram of the blood flow path through an air release chamber.

- [0083] FIG. 24 is a schematic diagram of an extracorporeal circuit for a hemodialysis system including pre-pump and post-pump arterial pressure sensor assemblies and a venous pressure sensor assembly.
- [0084] FIG. 25 is a schematic cross-sectional view of an air release chamber with a vent assembly having a multilayer vent structure.
- [0085] FIG. 26 is a plan view of an integrated extracorporeal circuit.
- [0086] FIG. 26A is a cross sectional view of the integrated extracorporeal circuit of FIG. 26, take along line 26A-26A.
- [0087] FIG. 27 is a perspective view of the integrated extracorporeal circuit of FIG. 26.
- [0088] FIG. 28 shows two schematic cross-sectional views of an embodiment of a container of the present invention; FIG. 28A illustrates how the liquid enters the container via an inlet and the air is displaced and leaves the container via the vent structure, while FIG. 28B shows the container completely filled with liquid, and the vent structure sealing.
- [0089] FIG 29 is another set of schematic cross-sectional views of an embodiment of a container of the present invention; FIG. 29A illustrates how the liquid enters the container via an inlet and the air is displaced and leaves the container via the vent assembly, while FIG. 28B shows the container completely filled with liquid, and the vent assembly sealing.

DETAILED DESCRIPTION OF THE INVENTION

[0090] In an embodiment, a fluid circuit, such as an extracorporeal fluid circuit used in filtering blood from a patient during hemodialysis, can be provided with one or more self-sealing vent assemblies to inhibit (e.g., prevent) fluids flowing within the circuit from coming into contact with the surrounding, external atmosphere and/or coming into contact with, and possibly contaminating, neighboring devices. The self-sealing vent assemblies can also inhibit (e.g., prevent) foreign particles and organisms from the external atmosphere from coming into contact with liquid flowing within the fluid circuit. In an embodiment, the self sealing vent assemblies or vent structures can be included in containers or bags suitable for

use in hemodialysis, to allow removal of air from the containers without the use of negative pressure or vacuum.

System Overview

[0091] Referring to FIG. 1, an extracorporeal circuit 100 includes tubing through which the blood flows and components for filtering and performing dialysis on the blood.

[0092] Blood flows from a patient 105 through arterial tubing 110. Blood drips into a drip chamber 115 where a connecting tube 116 from the drip chamber 115 attaches to an arterial pressure sensor assembly 120 on a hemodialysis machine 50 that determines the pressure of the blood on the arterial side of the circuit 100. The arterial pressure sensor assembly 120 includes a pressure transducer 130, which can be mounted within a dialysis machine 50, so that the pressure of blood flowing through the circuit 100 on the arterial side can be monitored. The arterial pressure sensor assembly 120 also includes a transducer protector 140, which carries a self-sealing vent assembly 141 (FIG. 3B) that includes a micro-porous membrane 144 (FIG. 3B) and a liquid activated self-sealing vent structure 146 (FIG. 3B). The vent assembly 141 helps to protect the pressure transducer 130, and the dialysis machine 50 in which it is mounted, from direct contact with blood flowing within the extracorporeal circuit 100. In the event that the micro-porous membrane 144 ruptures, blood will come into contact with the liquid activated self-sealing vent structure 146. The vent structure 146 will seal, and, by sealing, will inhibit (e.g., prevent) the dialysis machine 50 from becoming contaminated, and will allow the machine 50 to detect a failure via analysis of pressure patterns.

[0093] A pump 160, such as a peristaltic pump, forces the blood to continue along the path through the circuit 100. The blood then flows to a dialyzer 170, which separates waste products from the blood.

[0094] After passing through the dialyzer 170, the blood flows through venous tubing 180 towards an air release chamber 230 in which gas (e.g., air) in the blood can escape before the blood continues to the patient 105. During treatment, should air be present in the blood, the blood with air bubbles flows in through the bottom of the air release chamber 230. The upper motion of the blood is impeded by gravity and becomes stagnant, while the air continues to the top of the chamber 230 where it is vented out to the atmosphere through

another self-sealing vent assembly 270. The vent assembly 270 in the chamber 230 includes a micro-porous membrane and a self-sealing vent structure. The micro-porous membrane normally operates to inhibit liquids within the chamber from coming into contact with the atmosphere. However, in the event that the micro-porous membrane ruptures, liquid will come into contact with the self-sealing vent, which will self seal and inhibit (e.g., prevent) the blood from coming into contact with the atmosphere.

[0095] After leaving the chamber 230, the blood travels through a venous line 190 and back to the patient 105.

Pressure Transducer Assembly

[0096] As shown in FIG. 2, the pressure transducer assembly 120 includes the pressure transducer 130 and the transducer protector 140. Referring to FIGS. 3A and 3B, the transducer protector 140 includes a body 143 that defines a fluid pathway. The body 143 includes a vent assembly compartment 142 in which the micro-porous membrane 144 and the self-sealing vent structure 146 are disposed. A first open end 148 can be connected to the dialysis machine 50, e.g., via a machine fitment 52 (FIG. 2) and tubing 117, and provides for fluid communication between the pressure transducer 130 and the vent assembly compartment 142. A second open end 149 can be connected to the tubing (e.g., connecting tube 116) of the extracorporeal circuit 100 (FIG. 1) to provide for communication between the vent assembly compartment 142 and blood flowing within the circuit 100. This arrangement allows gas (e.g., air) to pass through the vent assembly 141 from the second open end 149 toward the first open end 148, while inhibiting the passage of blood, and thereby allows the pressure transducer 130 to measure changes in air pressure.

[0097] The micro-porous membrane 144 allows gas (e.g., air) to pass through the vent assembly compartment 142, but impedes the flow of liquid, thereby inhibiting or preventing the blood from directly contacting, and possible contaminating, the pressure transducer 130 on the opposite side of the vent assembly compartment 142. The micro-porous membrane 144 can also help to inhibit (e.g., prevent) foreign particles and organisms from entering the extracorporeal circuit 100 from the transducer side of the vent assembly compartment 142.

[0098] The micro-porous membrane 144 includes a hydrophobic material, such as polytetrafluoroethylene (PTFE) (e.g., expanded polytetrafluoroethylene (ePTFE)) backed by

a mesh material. In some embodiments, the membrane 144 is a fibrous carrier with a matted and woven layer on top of which ePTFE or other micro-porous material is applied. A suitable membrane has an average pore size of about 0.05 to about 0.45 microns (e.g., about 0.22 microns or about 0.2 microns). Suitable membranes are available from Pall Corporation, East Hills, N.Y., under the VERSAPOR™ brand and from W. L. Gore & Associates, Inc., Newark, Del.

[0099] The self-sealing vent structure 146 is a solid porous block, having an average pore size of about 5 microns to about 50 microns. In an embodiment, the average pore size is about 15 to about 45 microns, and the structure allows air to pass through the vent assembly compartment 142. In some embodiments, the self-sealing vent structure 146 is formed of a blend of polyethylene (e.g., high density polyethylene (HDPE)) and carboxymethylcellulose (CMC), a blend of polystyrene and methyl-ethyl-cellulose or of polypropylene- or polyethylene-based porous material. Such materials are available commercially, such as EXP-816 from Porex Corporation, Fairburn, Ga., which is a product containing 90% by weight polyethylene and 10% by weight carboxymethylcellulose, with an average pore size of about 30 microns to about 40 microns. However, other percentages of the materials can be used, as well as other materials and other pore sizes. For example, the vent structure 146 can include about 80% to about 95% by weight high density polyethylene and about 5% to about 20% by weight carboxymethylcellulose.

[00100] Referring to FIGS. 4A and 4B, the body 143 of the transducer protector 140 can be formed from two parts. As shown in FIG. 4A, a first part 150 defines the first open end 148 and a first portion 151 of the vent assembly compartment 142. As shown in FIG. 4B, a second part 152 defines the second open end 149 and a second portion 153 of the vent assembly compartment 142. The first and second parts 150, 152 of the transducer protector 140 can be formed of one or more medical grade materials. Plastics, such as polyvinylchloride, polycarbonate, polyolefins, polypropylene, polyethylene or other suitable medical grade plastic can be used because of their ease of manufacturing, ready availability and disposable nature. The first and second parts 150, 152 of the transducer protector can be separately formed, such as by molding (e.g., extruding, blow molding or injection molding).

[00101] The first and second parts 150, 152 of the transducer protector 140 each include an associated sidewall 154, 155. The sidewalls 154, 155 of the respective first and second parts 150, 152 help to retain the micro-porous membrane 144 and the self-sealing vent

structure 146 within the vent assembly compartment 142 following assembly. As illustrated in FIGS. 5A-5C, the transducer protector 140 is assembled by first inserting the micro-porous membrane 144 into the second part 152 in a position in which the micro-porous membrane 144 is disposed within the second portion 153 of the vent assembly compartment 142. In this position, as shown in FIG. 5A, the micro-porous membrane 144 is seated against a ledge 156 that is defined by the second part 152. The micro-porous membrane 144 can be dimensioned such that a press-fit is provided between the micro-porous membrane 144 and the sidewall 155 of the second part 152 of the transducer protector 140. Next, as illustrated in FIG. 5B, the self-sealing vent structure 146 is positioned adjacent the micro-porous membrane 144 in a position in which the self-sealing vent structure 146 is partially disposed within the second portion 153 of the vent assembly compartment 142. The self-sealing vent structure 146 can also be dimensioned such that a press-fit is provided between the vent structure 146 and the sidewall 155 of the second part 152 of the transducer protector 140. Then, as illustrated in FIG. 5C, the first part 150 can be connected to the second part 152 of the transducer protector 140 such that the respective sidewalls 154, 155 of the first and second parts 150, 152 of the transducer protector 140 together define the vent assembly compartment 142. The first and second parts 150, 152 of the transducer protector 140 can be bonded to each other, such as by welding, adhering (e.g., with epoxy), solvent bonding, mating threaded connections or other suitable method.

[0100] Referring now to FIGS. 6A and 6B, pressure can be read out and displayed through the electronics of the dialysis machine 50. Dynamic pressure pulse variations may take place, and will be transmitted through tubing sections 110, 140 to the pressure transducer 130, for a continuous pressure measurement. The measured pressure pattern is compared to a machine pressure pattern, which is determined as a function of pump operation. If there is a variance between the measured pressure pattern and the machine pressure pattern automatic shut-off can occur and/or an alarm can be sounded. If, for example, the micro-porous membrane 144 ruptures, thereby allowing liquid (e.g., blood) to contact the self-sealing vent structure 146, the vent structure 146 will self seal and inhibit (e.g., prevent) fluid, including gases, from passing. As a result, as illustrated in FIG. 6B, the pressure transducer 130 will sense a change in the pressure pattern (e.g., a diminished pressure pulse), which the associated dialysis machine electronics will interpret as a possible membrane rupture.

Air Release Chamber

[0101] Referring to FIGS. 7, 7A, 7B and 7C, the air release chamber 230 is substantially hollow for filling with a liquid. The chamber 230 can be used for removing gas (e.g., air bubbles) from blood. The chamber 230 has a bottom region 234 and a top region 236, where the bottom and top are relative to the chamber's orientation during use. An entry port 240 and an exit port 242 are in the bottom region 234 of the chamber 230. In some implementations, the ports 240, 242 are located in a bottom surface of the chamber 230.

[0102] In other implementations, as shown in FIG. 7F, at least one of the ports 240, 242 is located in a side surface of the chamber 230. In some implementations, a dam 248 is between the ports 240, 242. The dam 248 extends at least part way from one side wall to an opposite side wall. In some implementations, the dam 248 contacts each side wall so that all fluid entering entry port 240 flows over the top of the dam 248 before flowing out the exit port 242. In some implementations, a clot filter 254 is positioned adjacent to the exit port 242. Fluid flows through the clot filter 254 prior to flowing out of the exit port 242. In some implementations, the clot filter 254 has a porosity of about 50 microns to about 500 microns.

[0103] The ports 240, 242 are holes in the chamber 230 which can be in fluid communication with tubular shaped extensions. The extensions are able to be connected to tubes, such as by pressure fitting or bonding. The extensions can be integrally formed with the chamber 230 or subsequently attached to the chamber 230, such as by bonding or welding.

[0104] At the top region 236 of the chamber 230 is a self-sealing vent assembly 270. The self-sealing vent assembly 270 includes a micro-porous membrane 260 and a vent structure 264. The vent assembly 270 comprising the vent structure 264 and micro-porous membrane 260 may provide reduced condensation or minimize condensation on the micro-porous membrane 260. The micro-porous membrane 260 allows gas (e.g., from air bubbles in the blood) to vent from the chamber 230. Pores in the micro-porous membrane 260 are small enough to keep foreign particles and organisms from entering the chamber 230 from the outside air.

[0105] In some implementations, the membrane 260 includes a hydrophobic material, such as polytetrafluoroethylene (PTFE) (e.g., expanded polytetrafluoroethylene (ePTFE)). In other embodiments, the membrane 260 is a fibrous carrier with a matted and woven layer of

polyethylene or other polymer, on top of which ePTFE or other micro-porous material is applied. The hydrophobic micro-porous membrane 260 keeps liquid from leaking out of the chamber 230 when the chamber 230 is substantially filled with liquid and allow air to pass through. A suitable membrane has an average pore size of about 0.05 microns to about 0.45 microns (e.g., about 0.22 microns, about 0.2 microns). Suitable membranes are available from Pall Corporation, East Hills, N.Y., under the VERSAPOR™ mark and from W. L. Gore & Associates, Inc., Newark, Del.

[0106] The vent structure 264 is a solid porous block or disc, having an average pore size of at least about 0.5 micron to about 50 microns. In one embodiment, the average pore size is about 15 microns to about 45 microns. The pores allow air to pass through and escape from the chamber. The vent structure 264 is also a self-sealing vent structure. In some implementations, the vent structure 264 is formed of a blend of polyethylene (e.g., high density polyethylene (HDPE)) and carboxymethylcellulose (CMC), a blend of polystyrene and methyl-ethyl-cellulose or of polypropylene- or polyethylene-based porous material. Such materials are commercially available. For example, EXP-816 from Porex Corporation, Fairburn, Ga., is a product containing 90% by weight polyethylene and 10% by weight carboxymethylcellulose with an average pore size of about 30 microns to about 40 microns. However, other percentages of the materials in other combinations can be used, as well as other materials and other pore sizes. For example, the vent structure 264 can include about 80% to about 95% by weight high density polyethylene and about 5% to about 20% by weight carboxymethylcellulose. In another embodiment, the vent structure 264 can comprise 80% to about 95% by weight high density polyethylene and another swelling agent such as an alginate or polymethylmethacrylate in an amount of about 5% to about 20% by weight.

[0107] Examples of other water-swelling hydrophilic polymers which can be used as swelling agents in the vent structure of the present invention are those selected from polyvinylpyrrolidone, polyvinyl alcohol, polyacrylic acid, polymethacrylic acid, polyacrylic amides, polymethacryl amides, and grafts or copolymers of any of these polymers, e.g. copolymers with maleic anhydride (such as poly(methyl vinyl ether/maleic anhydride)), succinic anhydride or the corresponding acids, as well as polyamides, polyethylene glycols (PEG), gelatin, polysaccharides (e.g. cellulose derivatives such as carboxymethylcellulose, cellulose acetate, and cellulose acetate propionate, and chitosan), hydrophilic polyurethanes (e.g. one-shot or prepolymer-based polyurethanes), and carboxylated butadiene styrene

rubbers. Preferably, the hydrophilic matrix comprises at least one of the before-mentioned hydrophilic polymers.

[0108] When the vent structure 264 comes into contact with liquid, e.g., humidity or moisture, the swelling agent (e.g., cellulose component, e.g., carboxymethylcellulose, e.g. hydrophilic polymers) of the vent structure expands, thereby closing off the pores in the polymer component (e.g., high density polyethylene) of the vent structure 264. In one embodiment, the vent structure 264 is mounted adjacent to and just above the membrane 260 so that the hydrophobic membrane 260 is located between the vent structure 264 and the chamber 230. The vent structure 264 inhibits (e.g., prevents) condensation from accumulating on and contacting the membrane 260. In some embodiments, the vent structure 264 directly contacts the membrane 260.

[0109] In an embodiment, the vent structure stands alone without the membrane 260. For example, in an embodiment, the vent structure 264 is disposed in a container near or at the top of the container suitable for use in dialysis. The vent structure 264 allows air to leave the container as it is filled with fluid, for example, when preparing a bicarbonate solution for use in hemodialysis. When the container is filled, the liquid displaces the air and leaves the container through the vent structure 264 at the top of the container. When the liquid contacts the swelling agent in the vent structure, the swelling agent swells and closes the pores, sealing the vent structure 264 from leakage and reentry of air into the container.

[0110] The vent structure 264 can be substantially disc shaped, or can be another shape that is compatible with the chamber or container on which the vent structure 264 is mounted. In one or more embodiments, the vent structure 264 is about 0.1 mm to about 10 mm thick.

[0111] When the chamber 230 is filled with blood, inhibiting (e.g., preventing) the protein in the blood from accumulating on the membrane 260 can maintain the hydrophobic characteristic of the membrane 260. Whole blood can be kept from the membrane 260 by providing a barrier between the blood and the membrane 260, such as a liquid barrier 268, as described further below. The height of the chamber 230 is sufficient to maintain this barrier 268 and inhibits (e.g., prevents) the liquid above the barrier 268 from substantially mixing with liquid below the barrier 268.

[0112] The shape of the chamber is approximately elongate. In some implementations, such as those shown in FIGS. 7 and 7D, the bottom region 234 of the chamber 230, 230' is wider than the top region 236, such that the chamber 230, 230' has a quasi-conical shape or a

LM - #129971v1

flare at the bottom. In some implementations, such as those shown in FIG. 7E, the top and bottom dimensions of the chamber 230" are approximately equal so that the chamber 230" has a rectangular or cylindrical shape. The bottom region 234 can also be narrower than the top region 236. If the ports 240, 242 are in the bottom surface of the chamber, the bottom surface has a sufficiently large dimension to accommodate the ports 240, 242 as well as any tubes coupled to the ports for directing fluid into and out of the chamber. For example, if the tubing has an outer diameter of 6.25 mm, the bottom surface is at least 12.5 mm wide. The chamber 230 is sized to maintain the liquid barrier 268. In some implementations, the chamber 230 is at least about two inches in height, (e.g., about three to about four inches).

[0113] The chamber is formed of a material suitable for medical devices, that is, a medical grade material. Plastics, such as polyvinylchloride, polycarbonate, polyolefins, polypropylene, polyethylene or other suitable medical grade plastic can be used because of their ease of manufacturing, ready availability and disposable nature. The chamber is formed, such as by molding, for example, extruding, blow molding or injection molding. The chamber can be formed of a transparent or clear material so that the liquid flowing through the chamber can be observed.

[0114] The construction of the vent assembly 270 is described with respect to the following FIGURES. Referring to FIGS. 8 and 8A, a ring 302 holds the micro-porous membrane 260 within its inner diameter. The ring can be formed of plastic, such as one of the plastics described herein. The micro-porous membrane 260 can be insert-molded into the ring 302. That is, the micro-porous membrane 260 can be placed into a mold and held in place. The plastic for the ring 302, which can be polyethylene, polystyrene or another other suitable material, is then injected into a mold to form the ring 302. The ring 302 has an inner diameter z and an outer diameter y . Referring to FIGS. 9 and 9A, the vent structure 264 has a diameter of z . It will be understood by those of ordinary skill that the vent structure 264 can vary in size and shape depending on the size of the container or vent assembly 270 to which it is part.

[0115] Referring to FIGS. 10 and 10A, an insert 312 is configured to hold the ring 302 and the vent structure 264. The insert 312 has a first portion 314 and a second portion 316. The first portion 314 has a greater outer diameter and greater inner diameter than the outer diameter and inner diameter of the second portion 316. In some embodiments, the inner diameter of the first portion 314 is y and the outer diameter of the second portion 316 is x .

The transition between the first portion 314 and the second portion 316 forms a ledge. The insert 312 can be formed of the same plastic or a different material from the plastic ring.

[0116] Referring to FIGS. 11 and 11A, a retainer 318 is configured to hold the ring 302, the vent structure 264 and the insert 312. In some embodiments, the retainer 318 has a constant outer diameter, that is, the outer diameter does not change from one end of the retainer 318 to the other. In some embodiments, the retainer 318 has three unique inner diameters. Near the top (as shown in the FIGURE) of the retainer 318, the inner diameter is the greatest and in some embodiments, the inner diameter is equal to or just slightly greater than the outer diameter of the first portion 314 of the insert 312. Near the bottom of the retainer 318, the retainer 318 can have an inner diameter that is less than z , or less than the diameter of the vent structure 264. Between the bottom and the top of the retainer 318, the inner diameter can be about equal to x , that is, about equal to or slightly greater than the outer diameter of the second portion 316 of insert 312.

[0117] Referring to FIG. 12, an assembly 300 can be formed from the ring 302, vent structure 264, insert 312 and retainer 318. In an embodiment the retainer 318 holds the vent structure 264 so that the portion of the retainer with the inner diameter that is less than the vent structure's diameter inhibits (e.g., prevents) the vent structure 306 from escaping. The ring 302 is within the inner diameter of the retainer 318 and adjacent to the vent structure 264. In some embodiments, the ring 302 has sufficient height that the vent structure 264 can be seated within the inner diameter of the ring 302. The first portion 314 of the insert 312 fits between the outer diameter of the ring 302 and the inner diameter of the retainer 318. The retainer 318 can be bonded to the insert 312, such as by welding, adhering, solvent-bonding or other suitable method. The second portion 316 of the insert 312 forms a shank that is sized to fit into a chamber, as described further herein.

[0118] Referring to FIG. 13, in an embodiment, the chamber is formed from two parts. In one embodiment, a two port cap 322 forms a bottom of the chamber. A gravity chamber 324 forms the top of the chamber. Referring to FIG. 14, when the cap 322 and gravity chamber 324 are brought together, they form a chamber body 326. The top of the chamber body 326 is sized so that the shank of the assembly 300 can be fit into the chamber body 326, as shown in FIGS. 15 and 16. In an embodiment, the chamber body 326 and the assembly 300 can be sealed together, such as by welding, adhering, solvent-bonding, or other suitable method.

[0119] In other implementations, a different type of assembly is formed. Referring to FIGS. 17, 17A and 17B, for example, a support 328 has an inner diameter in which the micro-porous membrane 260 is held. The inner diameter of the support 328 is x . The support 328 has a flange that extends outwardly from the outer diameter at a top of the support 328. As shown in FIG. 18, the vent structure 264 fits within the support 328 and on the micro-porous membrane 260. The micro-porous membrane 264 is insert-molded into the support 328. The vent structure 264 is press-fit into the support 328. Referring to FIGS. 19, 20 and 21, the support 328 is sized so that the support 328 fits into a chamber body 326 with the flange extending beyond the inner diameter of the chamber body 326 to inhibit (e.g., prevent) the support 328 from being pressed in or falling into the chamber body 326.

[0120] Although the vent assemblies described herein are shown as cylindrical, the assembly can have other shapes as well, such as rectangular, polygon, triangular or other suitable cross sectional shapes. Also, the vent assembly can have a threaded portion so that the assembly can be, for example, screwed into the air release chamber. Alternatively, the vent assembly can be welded, adhered with epoxy or otherwise fastened to the top of the chamber.

Methods of Operation

[0121] Referring to FIGS. 1 and 22, in an embodiment, the air release chamber 230 is in line in the extracorporeal fluid circuit of a system for fluid filtration and air removal. A first liquid that is compatible with the liquid to be filtered (the second liquid) is introduced into the system to prime the system (step 404). In hemodialysis, the first liquid is a blood compatible solution, such as saline. The saline flows through the arterial tubing 110 to the arterial pressure sensor assembly 120 so that the pressure of the liquid flowing through the circuit 100 on the arterial side can be monitored, as described above. The saline then flows through a portion of the channel that abuts the pump 160. The pump 160 forces the saline through the circuit 100. The saline then flows to the dialyzer 170. Next, the saline, or the first liquid, flows through the entry port 242 of the chamber 230 and fills the chamber (step 412). To fill the chamber completely, venous line 190 can be clamped to create a positive pressure once the saline is introduced into the chamber 230. Air is forced out the top of the chamber 230 and through the micro-porous membrane 260 and vent structure 264 as saline fills the

chamber 230. The saline contacts the membrane 260 and the chamber 230 is substantially free of air once the chamber 230 is completely filled. However, the saline does not exit through the membrane 260, because the membrane 260 is made of a hydrophobic material. After the venous line 190 is unclamped, the saline exits through the exit port of the chamber and out the venous line 190.

[0122] The second liquid, such as a bodily fluid, for example, blood, is then introduced into the system (step 418). The blood follows the same route as the saline and, for the most part, pushes the saline through the circuit 100. When the blood enters the chamber 230, the blood forces the saline at the bottom of the chamber 230 through the exit port (step 422). However, the blood does not displace all of the saline within the chamber 230. Because of the height of the chamber 230, the blood enters the chamber 230 and only traverses part of the height of the chamber 230 before flowing back down along flow path 274 to the exit port (as shown in the air release chamber formed of transparent material in FIG. 23). An interface 268 between the saline and the blood delineates the furthest extent of most of the blood within the chamber 230. The interface 268 between the blood and saline can visually be observed and stretches across the entire width of the chamber. Because blood and saline are not immiscible, there is some amount of mixing between the two fluids around the interface 268.

[0123] The saline keeps the blood from contacting the filter 260. However, a percentage of blood can be present in the saline without hindering the operation of the circuit 100. That is, the saline need not be completely free from blood for the air release chamber 230 to both allow gas (e.g., from air bubbles in the blood) to vent from the circuit 100 and retain the liquid in the circuit 100. The solution that is mostly saline substantially protects the membrane 260 from becoming coated with protein. If the chamber 230 is sufficiently elongated, the blood does not mix with the saline at the top portion of the chamber 230 because the saline remains relatively stagnant as the blood flows through the chamber 230.

[0124] Any unbound gas, or air, that is in the blood, such as air that is introduced by the dialyzer 170 or air that comes out of solution from the blood, rises as tiny air bubbles within the blood and saline until the air eventually vents out through the vent assembly 270, including through the micro-porous filter 260 and the vent structure 264 (step 430). With a dam 248 inside of the chamber 230, the blood travels up and over the dam 248 rather than straight across the bottom of the chamber 230 out the exit port 242. By directing the flow of

blood upwards, the blood with air is not able to flow in and directly back out of the chamber 230 without flowing upwards to at least a height greater than the height of the dam 248. The surface area of the dam 248 and the inner walls of the chamber 230 enables the air, including microbubbles, to separate from the blood and exit the circuit 100 through the micro-porous membrane 260.

[0125] Throughout the circuit, the blood flows without there being a substantial air-blood interface. Although the blood does not come into contact with air, and thus clotting is less likely to occur, the blood can pass through an optional filter in the chamber. In some implementations, after exiting the chamber, the blood passes by or through one or more sensors, such as temperature or air detecting sensors.

Other Embodiments – Containers

[0126] It is contemplated that the self sealing vent structure 264, or vent assembly 270, described above in the air chamber or pressure transducer assembly, can be included in other embodiments commonly associated with hemodialysis and hemodialysis equipment. For example, the self sealing vent structure 264, or vent assembly 270, can be incorporated into containers for use in providing both the acetate portion of the dialysate and the bicarbonate portion of the dialysate, in concentrate form, which may also include sodium chloride or other chemicals as discussed in detail in U.S. Patent No. 5,385,564, and incorporated by reference herein. The use of bicarbonate as a buffer in hemodialysis is well known. The bicarbonate solution is commonly mixed with the acetate solution just prior to use, to prevent the bicarbonate from precipitating out of the solution during storage. In one embodiment, the container of the acetate solution and the bicarbonate container are essentially identical in configuration and dimensions, although it will be apparent that they could be configured or dimensioned differently without departing from the spirit of the invention. The bicarbonate solution is mixed with the acetate solution to form a dialysis solution in the dialyzer, although the bicarbonate solution may also be mixed with the acetate solution in a separate mixing chamber prior to entering the dialyzer or mixed in a dialysate delivery machine.

[0127] In an embodiment, referring now to FIG. 28, the present invention relates to the use of a self sealing vent structure 264 in a bag or container to accommodate solid or fluid concentrate which is used to prepare dialysis fluid for a dialysis machine. In an embodiment,
LM - #129971v1

the bag consists of a bag body 600 and at least one opening, whereby the opening is sealingly surrounded by a plug component as described in U.S. Patent 5,540,265 and incorporated by reference herein. The container or bag 600 has an outside 601 and an inside 602. The bag 600 also has an inlet 603 and an outlet 605 to allow a fluid, such as water, to enter and exit the container. The container or bag 600 has a top 604 into which the inlet 603 and outlet 605 are disposed. In an embodiment, the inlet 603 and outlet 605 can be included within a plug component. The outlet 605 comprises an elongate tube 606 extending from a first end to a second end and which sealingly surrounds the opening at the second end and provides a flow path of fluid out of the container. The tube 606 can also have a filter 607 connected at the first end of the tube 606 and allows fluid to enter the tube. The top 604 also includes a vent structure 264 located centrally within the top 604. The top is about 1 to about 10 millimeters in thickness and is comprised of plastic suitable for use in medical devices. The vent structure 264 allows air to be vented from the container when filling the bag with fluid.

[0128] In an alternate embodiment, referring now to FIG. 29, the present invention relates to the use of a self sealing vent assembly 270 in a bag or container to accommodate solid or fluid concentrate which is used to prepare dialysis fluid for a dialysis machine. The container or bag 600 has an outside 601 and an inside 602. The bag 600 also has an inlet 603 and an outlet 605 to allow a fluid, such as water, to enter and exit the container. The container or bag 600 has a top 604 into which the inlet 603 and outlet 605 are disposed. In an embodiment, the inlet 603 and outlet 605 can be included within a plug component. The outlet 605 comprises an elongate tube 606 extending from a first end to a second end and which sealingly surrounds the opening at the second end and provides a flow path of fluid out of the container. The tube 606 can also have a filter 607 connected at the first end of the tube 606 and allows fluid to enter the tube. The top 604 also includes a vent structure 624 located centrally within the top 604. The top is about 1 to about 10 millimeters in thickness and is comprised of plastic suitable for use in medical devices. The self-sealing vent assembly 270 in the container or bag includes a micro-porous membrane 260 and a vent structure 264. The vent assembly 270 comprises the vent structure 264 and micro-porous membrane 260 may provide reduced condensation or minimize condensation on the micro-porous membrane 260. The micro-porous membrane 260 allows gas (e.g., from air in the container or bag) to vent from the chamber 230 during filling. Pores in the micro-porous membrane 260 are small

enough to keep foreign particles and organisms from entering the container or bag 230 from the outside air.

[0129] In operation, fluid, such as reverse osmosis water, will flow into the inlet 603 via a pump from a hemodialysis apparatus 50. In an embodiment, the interior 602 of container 600 will be at least partially filled with sodium bicarbonate for use as a buffer in the dialysate in the hemodialysis apparatus 50. FIG. 28A schematically represents the filling of the container 600 with fluid. Saturation of the water flowing into the concentrate, which is to be diluted, is facilitated when the in-flowing fluid is conducted into the interior of the body of the bag via a tube. Preferably, the diluted concentrate is conducted to the dialysis machine via a tube projecting into the interior of the bag, which tube is provided with a filter on its end 607. As the bicarbonate is dissolved by the incoming water, the level of the solution inside the container rises, displacing the air and forcing the air to leave the container through the vent structure 264. Alternatively, in FIG. 29A, the container comprises a vent assembly 270 which allows the air to vent through the hydrophobic micro-porous membrane 260 and through the vent structure 264. In FIG. 28B, the container 600 is completely filled with bicarbonate solution and has vented all of the air out of the container through the vent structure 264. When the air is completely vented and the fluid in the container contacts the swelling agent in the vent structure 264, the pores of the vent structure are closed due to the swelling of the swelling agent and the bag is sealed, preventing leakage of fluid outside the container. Alternatively, in FIG. 29B, when the container is fitted with a vent assembly 270, the water must first flow through the micro-porous membrane before it can make contact with the swelling agent in the vent structure 264. Bicarbonate solution is dispensed from the container 600 through the opening 607 and exits the container through the tube 606 and via the outlet 605 to the apparatus 50.

[0130] In another embodiment, the present invention the container or bag 600 according to the invention is comprised of a flexible material, such as, for example, PVC, PVP, or polyethylene.

[0131] It is contemplated in another embodiment of the present invention, that the vent structure 264, or vent assembly 270, is located on the container at or near the top of the container.

[0132] In yet another embodiment, the container of the present invention has at least two openings, such as an inlet and an outlet. It is understood by those of ordinary skill in the art

that the container may be made of any materials suitable for use in dialysis applications, for example, plastics such polypropylene or polyethylene are suitable. The container of the present invention can be composed of a rigid plastic as well, such as seen in a cartridge application.

[0133] In a further embodiment, the container of the present invention comprises a flexible bag with a vent structure, providing at least a single opening, and the bag contains a powdered compound suitable for use in hemodialysis treatment. It is also contemplated that in another embodiment, the flexible bag with a vent structure has at least two openings, such as an inlet and an outlet

[0134] As described above, the vent structure of the present invention is constructed in a manner that when the water contacts the vent, the vent will seal itself and allow the evacuation of the fluid during treatment without introduction of air into the system.

[0135] In another embodiment, the vent assembly is located at the top or highest point of the container relative to the ground. Addition of fluid through one of the openings of the container will displace the air in the container via the vent assembly. Once all of the air is displaced or removed from the container, and the fluid comes in contact with the micro-porous membrane of the vent assembly, the vent will seal.

[0136] In another set of embodiments, the vent structure 264, or vent assembly 270, is included with the inlet 603 and outlet 605 as part of a plug component. An example of a plug component contemplated in the present invention includes those disclosed in U.S. Patent No. 7,223,262, and incorporated by reference herein. The flow paths for the incoming and outgoing solution can be disposed in parallel or concentrically in the plug connector. With concentric disposition of the flow paths in the plug arrangement, it is advantageous if the inlet and the outlet are disposed in parallel on the bag-side plug component.

EXAMPLES

[0137] As an example, although an embodiment of a extracorporeal circuit has been described in which an arterial pressure sensor assembly is arranged to measure a pre-pump arterial pressure, in some embodiments, as illustrated in FIG. 24, an arterial pressure assembly 120 can, alternatively or additionally, be positioned downstream of the pump 160 for post pump arterial pressure measurement. In some embodiments, the circuit 100 can also

LM - #129971v1

include a venous pressure sensor assembly 182 in communication with the venous tubing 180, for monitoring the pressure of liquid (e.g., blood) flowing through the circuit 100 on the venous side. The venous pressure sensor assembly 182 can have the same construction as the arterial pressure sensor assembly 120 described above with regard to FIGS. 3A-5C.

[0138] In some implementations, the vent assembly can include a multilayer self-sealing vent structure, where different layers of the vent structure have differing self-sealing (e.g., swelling) characteristics. For example, FIG. 25 shows (in cross-section) a vent assembly 270' including a multilayer self-sealing vent structure 264'. The multilayer self-sealing vent structure 264' includes a first porous layer 265 disposed adjacent the micro-porous membrane 260, and a second porous layer 266 disposed adjacent to the first porous layer 265. The first porous layer 265 is a solid porous block, having an average pore size of about 5 microns to about 45 microns, e.g., about 10 microns. In some embodiments, the first porous layer 265 can be formed of polyethylene (e.g., high density polyethylene (HDPE)), polystyrene, or of polypropylene- or polyethylene-based porous material. Such materials are available from Porex Corporation, Fairburn, Ga. The first porous layer 265 is about 3 mm to about 5 mm thick, e.g., about 4 mm thick. In some embodiments, the first porous layer 265 can be self-sealing. In some embodiments, for example, the first porous layer 265 may include a relatively small amount of carboxymethylcellulose, e.g., about 0% to about 10% by weight carboxymethylcellulose. In other embodiments, the first porous layer may include another swelling agent in about 0% to about 10% by weight.

[0139] The second porous layer 266 is a solid porous block, having an average pore size of about 15 to about 45 microns, e.g., about 30 microns. The second porous layer 266 is about 3 mm to about 5 mm thick, e.g., about 4 mm thick. The second porous layer 266 is self-sealing, and is relatively more responsive to the presence of moisture than the first porous layer 265; i.e., the second porous layer 266 has a greater propensity to self-seal (e.g., swell) in the presence of moisture than the first porous layer 265. In some embodiments, the second porous layer 266 is formed of a blend of polyethylene (e.g., high density polyethylene (HDPE)) and carboxymethylcellulose (CMC), a blend of polystyrene and methyl-ethyl-cellulose or of polypropylene- or polyethylene-based porous material. Such materials are available from Porex Corporation, Fairburn, Ga., such as EXP-816, which is a product containing 90% by weight polyethylene and 10% by weight carboxymethylcellulose with an

average pore size of about 30 microns to about 40 microns. However, other percentages of the materials can be used, as well as other swelling agents, materials and other pore sizes.

[0140] During use, condensation can, for example, form within the vent assembly. The first porous layer 265 allows for a small amount of condensation to be compensated for without activation of the self-sealing property of the second porous layer 266. The first porous layer 265, being relatively less responsive to the presence of moisture (i.e., as compared to the second porous layer 266) slows the progression of moisture from within the chamber 230 toward the second porous layer 266. The first porous layer 265 provides additional surface area (e.g., within pores) where condensation can be pulled out of the air exiting the vent assembly 270' before it reaches self-sealing, second porous layer 266. Thus, small amounts of humidity and moisture (e.g., condensation) from within the air release chamber 230 can be compensated for without triggering closure of the self-sealing vent.

[0141] In some embodiments, the air release chamber and one or more other components can be incorporated into an integrated fluid circuit. The integrated fluid circuit has the components described above, such as the air release chamber, formed together in one assembly or integrated molding rather than discrete separate or modular devices. The integrated fluid circuit is adapted to removably seat into a machine, such as a blood purification machine, like a hemodialysis machine. The integrated fluid circuit is similar to a cassette or cartridge, where an operator merely snaps the integrated fluid circuit into the machine and after just a few additional connections, begins operation.

[0142] Referring to FIG. 26, the integrated fluid circuit 512 has a rigid body 518 and a flexible backing (not shown). The rigid body has a substantially flat surface 520 with one or more concave (when viewed from the backside) portions or recessed portions protruding from a front surface of the body 518. The flexible backing can be applied so that the backing covers only the recessed portions or so that the backing covers more than just the recessed portions, up to all of the back surface of the rigid body.

[0143] The integrated fluid circuit has a recessed portion that serves as the air release chamber 526. As with the chamber described above, the air release chamber 526 includes a self-sealing vent assembly 570 at a top region and optionally includes a dam 560 and a clot filter 568. The vent assembly 570 can be formed separately from the body 518 and fit into the top of the air release chamber 526, similar to the method described with respect to forming the devices shown in FIGS. 16 and 21. Alternatively, a micro-porous membrane and

LM - #129971v1

vent structure can be fit into the integrated fluid circuit after the body 518 has been formed, without a support or retainer.

[0144] A first channel 534 in rigid body 518 leads from an edge of the rigid body 518 to a bottom region of the air release chamber 526. Over one portion of the channel 534, a venous recess or pocket 548 is formed. The flexible backing backs the venous pocket 548. The venous pocket 548 is sized so that a transducer in the machine can measure the venous fluid pressure through the flexible backing. A second channel 578 extends from the outlet of the air release chamber 526 to an edge of the rigid body 518. The first and second channels extend to the same or different edges of the rigid body 518. The first channel 534 and second channel 578 are in fluid communication with the air release chamber 526.

[0145] In some implementations, a third channel 584 is formed in the rigid body 518. The third channel 584 is not in fluid communication with the first or second channels when the integrated fluid circuit is not in the machine or connected to a dialyzer. In some implementations, an arterial pocket 588 is formed along the third channel 584. The arterial fluid pressure can be measured through the flexible backing of the arterial pocket 588. One end of the third channel 584 extends to one edge of the rigid body 518 and the other end extends to the same or a different edge, as shown in FIG. 26.

[0146] Optionally, a fourth channel 592 extends across the rigid body 518. A post-pump arterial pocket 562 overlaps the fourth channel 592. In some implementations, additional recesses and channels are formed in the rigid body.

[0147] In some implementations, tubes 594a, 594b, 594c, 594d and 594e are connected to the rigid body 518, such as at the locations where the first, second, third and fourth channels extend to the edges. The tubes are connected to the rigid body using techniques known in the art. In some embodiments, the tubes fit into pre-formed grooves in the rigid body 518. The tubes can be pressure fitted into the grooves. In other implementations, the tubes are clipped onto the rigid body 518. Optionally, at the end of the tubes 594a, 594b, 594c and 594e are fasteners for connecting the tubes to components of the machine, such as the dialyzer or to a patient. Tube 594d wraps around a peristaltic pump in the machine. Tubes 594a and 594e connect to a dialyzer. Tubes 594b and 594c connect to a patient.

[0148] Each of the recesses can protrude from the flat surface 520 to approximately the same distance. Alternatively, some of the recesses, such as the channels, may be shallower than other recesses, such as the air release chamber 526. Referring to FIG. 26A, a cross

section of the integrated circuit 512 shows an outline of the part of chamber 526, the clot filter 568, the side of second channel 578, the membrane 564 and a cross section of the vent assembly 570. The rigid body 520 can have an overall thickness of less than about 2 mm, such as less than about 1 mm. Flexible membrane 564 covers the back of the rigid body 520.

[0149] In some implementations, instead of one or more of the channels being formed in the rigid body 518, a tube is connected directly to a feature in the rigid body. For example, instead of forming second channel 578, tube 594b can be connected directly to the air release chamber 526.

[0150] In some implementations, the integrated circuit 512 has two rigid sides. The first rigid side is as described above. The second rigid side is substantially flat with openings located adjacent to the pockets formed in the first side. The openings are covered with a flexible membrane.

[0151] In some implementations, the integrated circuit 512 has posts that extend from one or more sides of the circuit. The posts can mate with recesses in the machine, ensuring correct registration of the integrated circuit 512 with components, such as sensors, in the machine. In some implementations, the integrated circuit 512 has latches, clips or other such device for registering the integrated circuit 512 with the machine and locking the integrated circuit 512 in place.

[0152] The machine can have a mechanism that holds the integrated circuit in place. The mechanism can include a door, a locking device or a suction device for holding the integrated circuit in tight contact with the machine. When the integrated circuit is seated in the machine, pressure transducers interface with the flexible backing to directly measure the fluid pressure at each of the corresponding locations. Holding the integrated circuit in contact with the machine allows the pressure transducers to sense flow through the circuit. Once the integrated fluid circuit is plugged into the machine and connected with the machine's components, an operator uses the integrated fluid circuit in a manner similar to the method of using the circuit chamber 230 described above.

[0153] As with the air release chamber 230, the rigid body 518 is constructed of a medical grade material. The flexible backing is constructed from a polymer that is flexible and suitable for medical use, such as an elastomer, including silicon elastomers. Other suitable materials include, high and low density polyethylene, high and low density polypropylene, separately co-extruded mono layers or multiple layers of polyamides, nylons,
LM - #129971v1

silicones or other materials commonly known in the art for flexible applications. The backing is attached to the back of the rigid body 518, such as by laser, ultrasonic or RF welding or with an adhesive. In some implementations, the backing is attached so that the edge of each recess is sealed to the backing. Alternatively, the backing is attached only at the edge of the rigid body. If the backing does not seal the recesses from the flat portions, the machine into which the integrated fluid circuit seats is constructed to apply sufficient pressure to keep the fluid flowing through the circuit from leaking out of the recesses and between the backing and the flat surface 520. In the back of the rigid portion 518, ridges can be formed which surround the recesses. The ridges can aid in sealing the flexible membrane to the flat portion 518 when pressure is applied to the circuit.

[0154] In some implementations, injection sites 598 are formed at one or more of the recesses. The injection sites 598 can be used to inject drugs or solutions into the fluid.

[0155] Suitable injection sites 598 are formed of neoprene gaskets into which a needle can be introduced and removed so that the gaskets do not leak or weep after the needle is removed.

[0156] FIG. 27 shows a perspective view of the integrated fluid circuit 512. As in FIG. 20, the flexible membrane has been removed from the integrated fluid circuit 512 to show the recesses.

[0157] Using the air release chambers described herein in an extracorporeal blood circuit inhibits (e.g., prevents) air from contacting blood flowing through the circuit. Inhibiting air in the chamber can reduce the likelihood of forming clots in the blood. In the event that there is air in the blood before the blood exits the chamber, a hydrophobic micro-porous membrane and a self-sealing vent structure at the top of the chamber allows air that enters the chamber to escape. The membrane and vent structure are part of or connected directly to the air release chamber. This allows the air to easily escape from the liquid filled chamber. Thus, lines need not be connected to the top of the chamber for withdrawing air from the circuit.

[0158] The self-sealing vent structure of the vent assembly inhibits (e.g., prevents) moisture or condensation from accumulating on the micro-porous membrane in the air release chamber. The micro-porous membrane can lose its ability to vent efficiently if it gets wet. On occasion, the micro-porous membrane can leak due to becoming wet, which may allow blood to escape the chamber. The vent structure of the vent assembly can inhibit (e.g., prevent) the micro-porous membrane from getting wet and leaking blood to the outside of the

chamber. In the event that the membrane fails, such as due to a puncture, and fluid passes through to the vent structure, the vent structure swells when it becomes wet. The swollen vent structure inhibits (e.g., prevents) blood from leaking outside of the circuit and into the atmosphere.

[0159] The chamber is first filled with saline before being filled with blood. The chamber has a sufficient height so that after the saline and blood are introduced into the chamber, the saline is located near the top of the chamber and the blood is located near the bottom, and little mixing of the two liquids occurs. The saline inhibits (e.g., prevents) most of the proteins in the blood from contacting the micro-porous membrane of the vent assembly at the top of the chamber. If protein accumulates on the micro-porous membrane, the membrane's hydrophobic properties can be inhibited, that is, the membrane can wet, allowing liquid to leak from inside the chamber to outside the chamber. Also, if protein collects on the membrane, the membrane may become inefficient at allowing air to pass through. Thus, a sufficiently long chamber allows the saline to stagnate at the top, inhibiting (e.g., preventing) protein from contacting the membrane.

[0160] A dam in the chamber between the entry and exit ports may provide a surface for microbubbles to accumulate. The microbubbles in the blood may then escape through the chamber rather than passing through the exit port. Reducing clot formation and reducing gas in the blood is safer for the patient undergoing hemodialysis. The dam also forces the liquids up into the chamber so that the liquids, and any gases traveling with the liquids, are not immediately pushed out of the chamber before the gas can escape out to the top of the chamber.

[0161] Placing components, such as a pocket for taking pressure measurements, channels for fluid flow and the air release chamber, into a single integrated fluid circuit eliminates multiple separate components. Fewer components are easier for an operator to work with and reduce the risk of operator error. The integrated fluid circuit has a rigid side that maintains the integrity of the components, and flexible portions that allow for taking measurements, such as pressure or temperature measurements. Further, the pockets in the integrated circuit eliminate the need for pressure sensing lines in fluid communication with the top of the chamber.

[0162] The components described herein can be used with other liquids, such as plasma, water, saline, and other medical fluids. Additionally, liquids other than saline can be used to

LM - #129971v1

prime the system. Accordingly, other embodiments are within the scope of the following claims.

[0163] All references, including publications, patent applications, and patents, cited herein are hereby incorporated by reference to the same extent as if each reference were individually and specifically indicated to be incorporated by reference and were set forth in its entirety herein.

[0164] The use of the terms “a” and “an” and “the” and similar referents in the context of describing the invention (especially in the context of the following claims) are to be construed to cover both the singular and the plural, unless otherwise indicated herein or clearly contradicted by context. The terms “comprising,” “having,” “including,” and “containing” are to be construed as open-ended terms (i.e., meaning “including, but not limited to,”) unless otherwise noted. Recitation of ranges of values herein are merely intended to serve as a shorthand method of referring individually to each separate value falling within the range, unless otherwise indicated herein, and each separate value is incorporated into the specification as if it were individually recited herein. All methods described herein can be performed in any suitable order unless otherwise indicated herein or otherwise clearly contradicted by context. The use of any and all examples, or exemplary language (e.g., “such as”) provided herein, is intended merely to better illuminate the invention and does not pose a limitation on the scope of the invention unless otherwise claimed. No language in the specification should be construed as indicating any non-claimed element as essential to the practice of the invention.

[0165] Preferred embodiments of this invention are described herein, including the best mode known to the inventors for carrying out the invention. Variations of those preferred embodiments may become apparent to those of ordinary skill in the art upon reading the foregoing description. The inventors expect skilled artisans to employ such variations as appropriate, and the inventors intend for the invention to be practiced otherwise than as specifically described herein. Accordingly, this invention includes all modifications and equivalents of the subject matter recited in the claims appended hereto as permitted by applicable law. Moreover, any combination of the above-described elements in all possible variations thereof is encompassed by the invention unless otherwise indicated herein or otherwise clearly contradicted by context.

CLAIM(S):

1. A container for use in a hemodialysis apparatus to accommodate solid or fluid concentrate for preparation of dialysis fluid, the container comprising:
 - a body having a inside and an outside;
 - at least one opening; and
 - a vent structure, wherein the vent structure comprises a porous material capable of swelling when moistened.
2. The container of claim 1, wherein the vent structure is positioned at or near the top of the container to allow air in the container to exit the container through the vent structure when the container is being filled.
3. The container of claim 1, wherein the container may be made of any materials suitable for use in hemodialysis applications, including polypropylene, polyethylene or polyvinylchloride.
4. The container of claim 1, wherein the vent structure has an average pore size of between about 5 microns and about 50 microns.
5. The container of claim 1, wherein the vent structure comprises polypropylene, polyethylene or polystyrene.
6. The container of claim 1, wherein the vent structure comprises carboxymethylcellulose.
7. The container of claim 1, wherein the vent structure is comprised of hydrophilic polymers selected from the group consisting of: polyvinylpyrrolidone, polyvinyl alcohol, polyacrylic acid, polymethacrylic acid, polyacrylic amides, polymethacryl amides, and grafts or copolymers of any of these polymers, e.g. copolymers with maleic anhydride (such as poly(methyl vinyl ether/maleic anhydride)), succinic anhydride or the corresponding acids, as well as polyamides, polyethylene glycols (PEG), gelatin, polysaccharides (e.g. cellulose derivatives such as carboxymethylcellulose, cellulose acetate, and cellulose acetate

propionate, and chitosan), hydrophilic polyurethanes (e.g. one-shot or prepolymer-based polyurethanes), and carboxylated butadiene styrene rubbers.

8. The container of claim 1, wherein the vent structure is comprised of a blend of polyethylene and carboxymethylcellulose.

9. The container of claim 1, wherein the vent structure is comprised of a blend of polyethylene and polymethylmethacrylate.

10. The container of claim 1, wherein the vent structure comprises:
a microporous membrane;
a first porous layer; and
a second porous layer comprising a porous material capable of swelling when moistened, wherein the first porous layer is disposed between the microporous membrane and the second porous layer.

11. The component of claim 10, wherein the first porous layer comprises a porous material capable of swelling when moistened, and wherein the second porous layer has a greater propensity to swell in the presence of moisture than the first porous layer.

12. The component of claim 10, wherein the first porous layer has an average pore size of about 5 microns to about 45 microns.

13. The component of claim 10, wherein the first porous layer has an average pore size of about 10 microns.

14. The component of claim 10, wherein the second porous layer has an average pore size of about 15 to about 45 microns.

15. The component of claim 10, wherein the second porous layer has an average pore size of about 30 microns.

16. The component of claim 10, wherein the second porous layer has an average pore size that is greater than an average pore size of the first porous layer.

17. The component of claim 10, wherein the second porous layer comprises about 5% to about 50% by weight carboxymethylcellulose.

18. The component of claim 10, wherein the first porous layer comprises about 0.1% to about 10% carboxymethylcellulose.

19. The component of claim 10, wherein the first porous layer comprises less than 5% carboxymethylcellulose.

20. A container for use in an apparatus for dialysis to accommodate solid or fluid concentrate for preparation of dialysis fluid, the container comprising:
a body having a inside and an outside;
at least two openings providing an inlet and an outlet; and
a vent structure, wherein the vent structure is comprised of a porous material capable of swelling when moistened.

21. The container of claim 20, wherein the outlet comprises an elongate tube extending from a first end to a second end and which sealingly surrounds the opening at the second end and provides a flow path of fluid which exits the container.

22. The container of claim 20, wherein the vent structure is positioned at or near the top of the container to allow air to exit the container through the vent structure when the container is being filled with liquid.

23. The container of claim 20, wherein the container may be made of any materials suitable for use in dialysis applications, including polypropylene, polyethylene or polyvinylchloride.

24. The container of claim 20, wherein the vent structure has an average pore size of between about 5 microns and about 50 microns.

25. The container of claim 20, wherein the vent structure comprises polypropylene, polyethylene or polystyrene.

26. The container of claim 20, wherein the vent structure is comprised of carboxymethylcellulose.

27. The container of claim 20, wherein the vent structure is comprised of hydrophilic polymers selected from the group consisting of: polyvinylpyrrolidone, polyvinyl alcohol, polyacrylic acid, polymethacrylic acid, polyacrylic amides, polymethacryl amides, and grafts or copolymers of any of these polymers, e.g. copolymers with maleic anhydride (such as poly(methyl vinyl ether/maleic anhydride)), succinic anhydride or the corresponding acids, as well as polyamides, polyethylene glycols (PEG), gelatin, polysaccharides (e.g. cellulose derivatives such as carboxymethylcellulose, cellulose acetate, and cellulose acetate propionate, and chitosan), hydrophilic polyurethanes (e.g. one-shot or prepolymer-based polyurethanes), and carboxylated butadiene styrene rubbers.

28. The container of claim 20, wherein the vent structure is comprised of a blend of polyethylene and carboxymethylcellulose.

29. The container of claim 20, wherein the vent structure is comprised of a blend of polyethylene and polymethylmethacrylate.

30. The container of claim 20, wherein the container is a bag comprised of a flexible material, such as, for example, PVC, PVP, or polyethylene.

31. The container of claim 20, wherein the container comprises a plug component suitable for use with a dialysis apparatus.

32. A container for use in a hemodialysis apparatus to accommodate solid or fluid concentrate for preparation of dialysis fluid, the container comprising:

a body having an inside and an outside;

at least one opening; and

a vent assembly, wherein the vent assembly comprises a porous material capable of swelling when moistened and a micro-porous membrane adjacent to the porous material.

33. The container of claim 32, wherein the container may be made of any materials suitable for use in hemodialysis applications, including polypropylene, polyethylene or polyvinylchloride.
34. The container of claim 32, wherein the vent structure has an average pore size of between about 5 microns and about 50 microns.
35. The container of claim 32, wherein the vent structure comprises polypropylene, polyethylene or polystyrene.
36. The container of claim 32, wherein the vent structure comprises carboxymethylcellulose.
37. The container of claim 32, wherein the vent structure is comprised of hydrophilic polymers selected from the group consisting of: polyvinylpyrrolidone, polyvinyl alcohol, polyacrylic acid, polymethacrylic acid, polyacrylic amides, polymethacryl amides, and grafts or copolymers of any of these polymers, e.g. copolymers with maleic anhydride (such as poly(methyl vinyl ether/maleic anhydride)), succinic anhydride or the corresponding acids, as well as polyamides, polyethylene glycols (PEG), gelatin, polysaccharides (e.g. cellulose derivatives such as carboxymethylcellulose, cellulose acetate, and cellulose acetate propionate, and chitosan), hydrophilic polyurethanes (e.g. one-shot or prepolymer-based polyurethanes), and carboxylated butadiene styrene rubbers.
38. The container of claim 32, wherein the vent structure is comprised of a blend of polyethylene and carboxymethylcellulose.
39. The container of claim 32, wherein the vent structure is comprised of a blend of polyethylene and polymethylmethacrylate.
40. The container of claim 32, wherein the micro-porous membrane of the vent assembly is comprised of a hydrophobic material.
41. The micro-porous membrane of claim 40, wherein the material of the membrane is selected from the group consisting of polytetrafluoroethylene (PTFE) or expanded polytetrafluoroethylene (ePTFE).

42. The micro-porous membrane of claim 40, wherein the membrane is a fibrous carrier with a matted and woven layer of polyethylene or other polymer, on top of which ePTFE or other micro-porous hydrophobic material is applied.

43. The micro-porous membrane of claim 40, wherein the membrane has an average pore size of about 0.05 microns to about 0.45 microns.

44. The micro-porous membrane of claim 43, wherein the membrane has an average pore size of about 0.20 to about 0.22 microns.

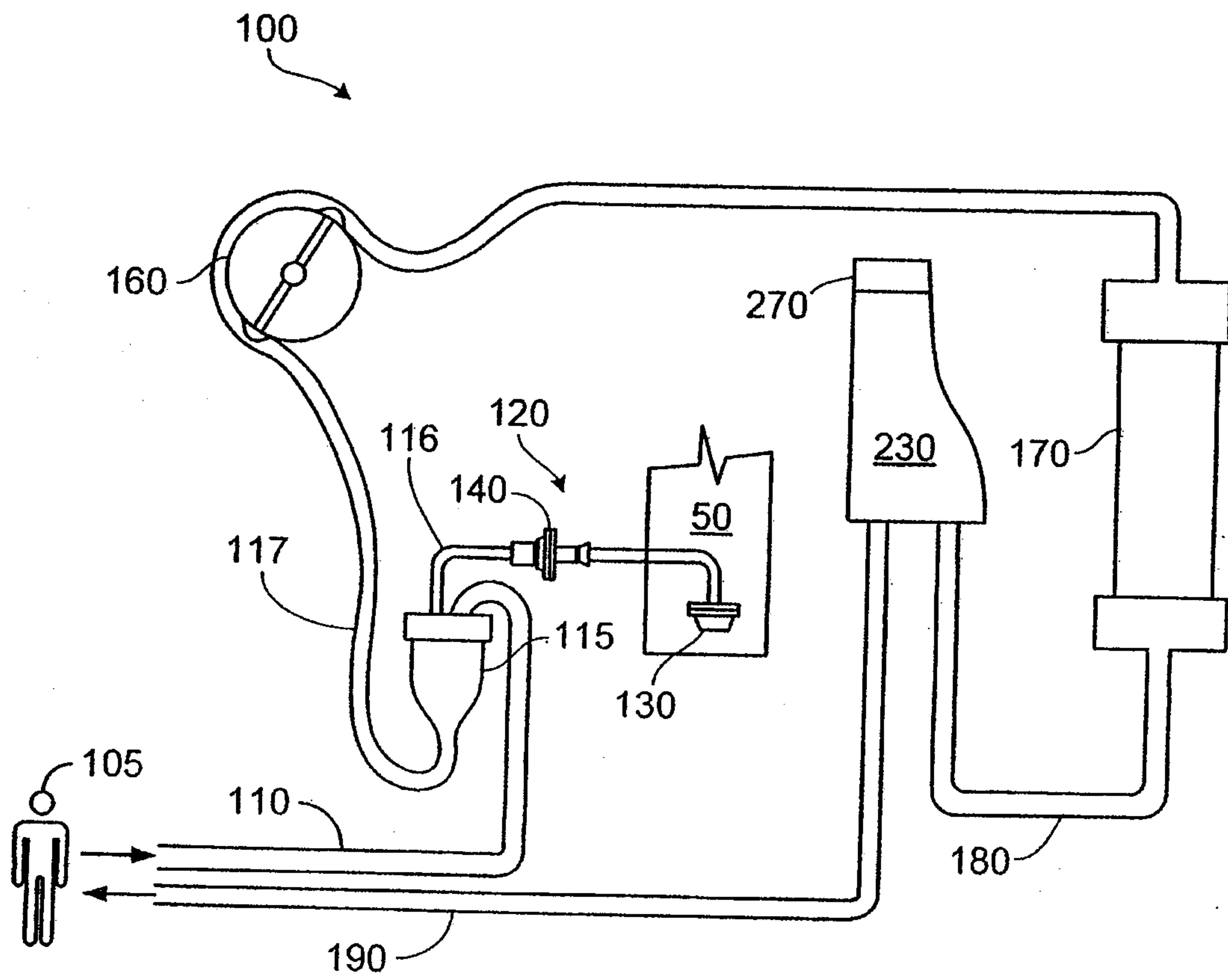


FIG. 1

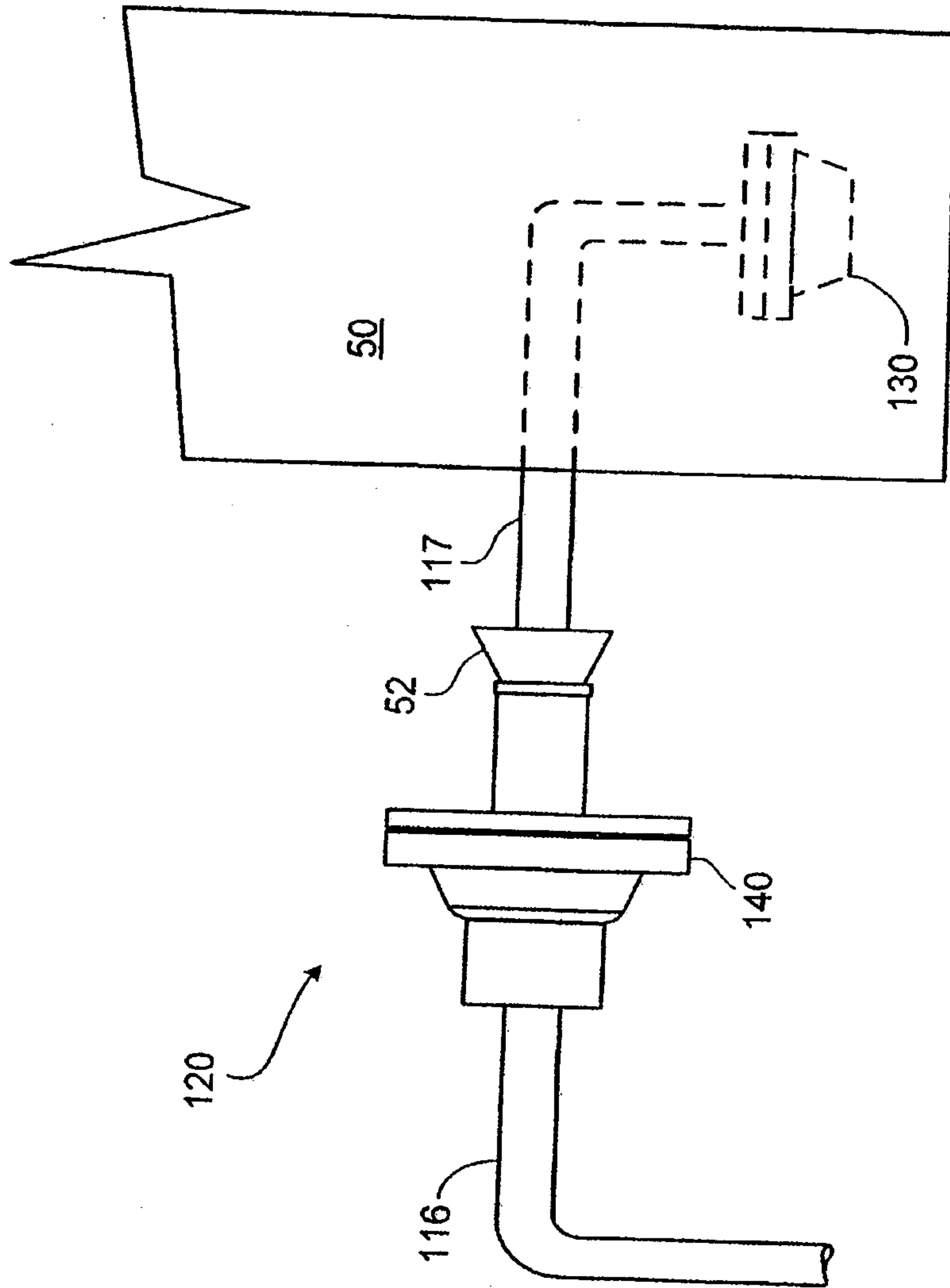
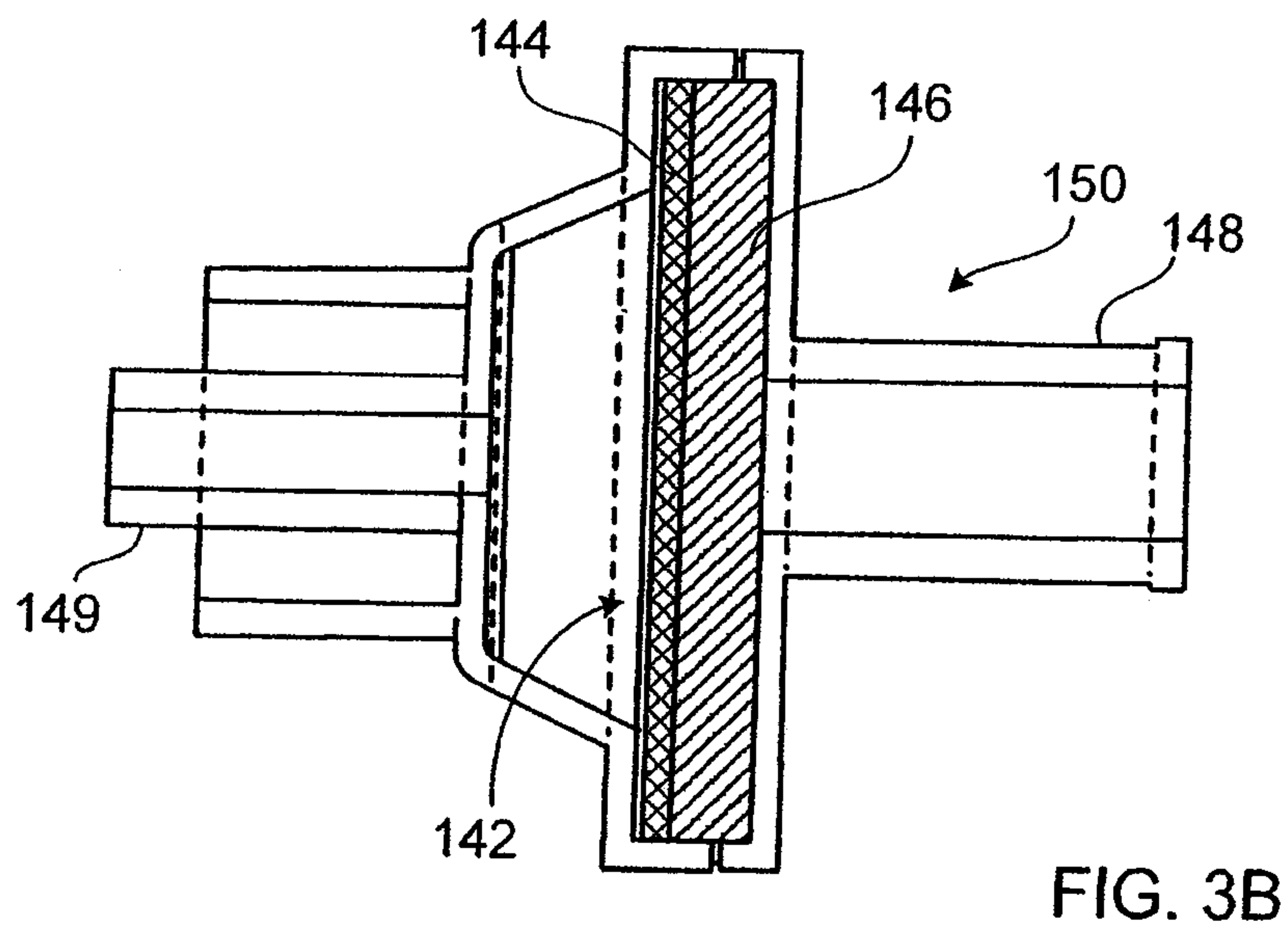
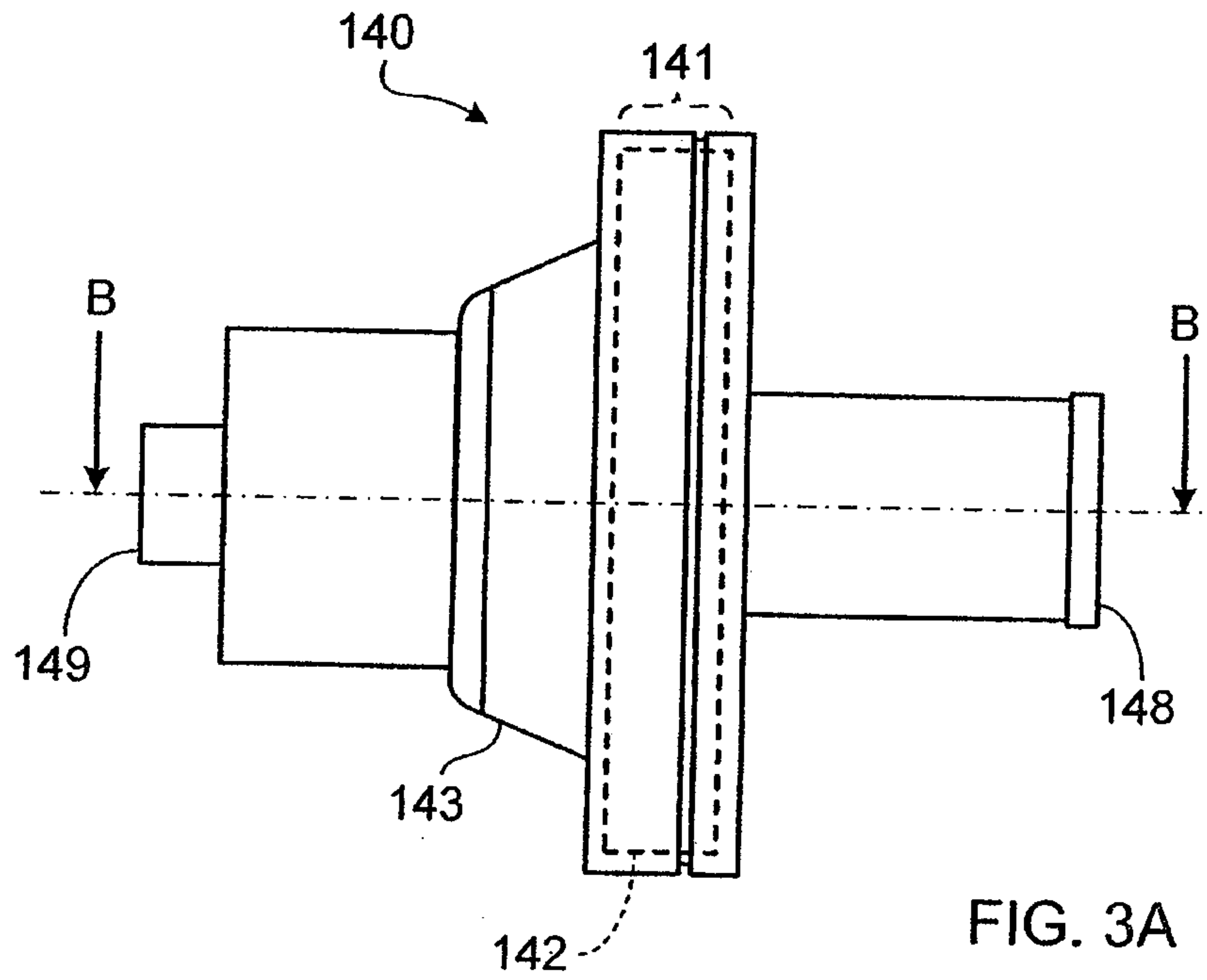


FIG. 2



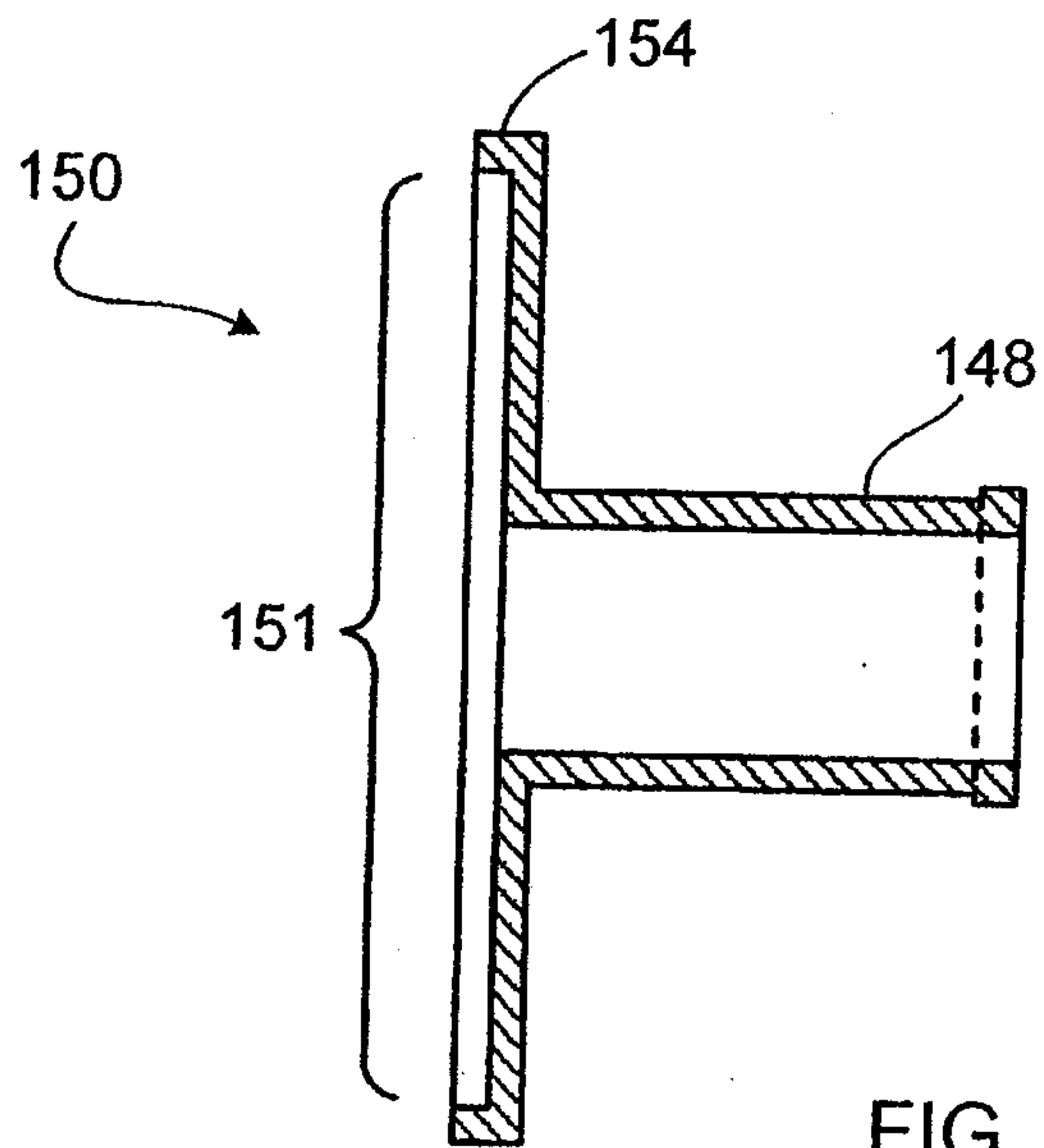


FIG. 4A

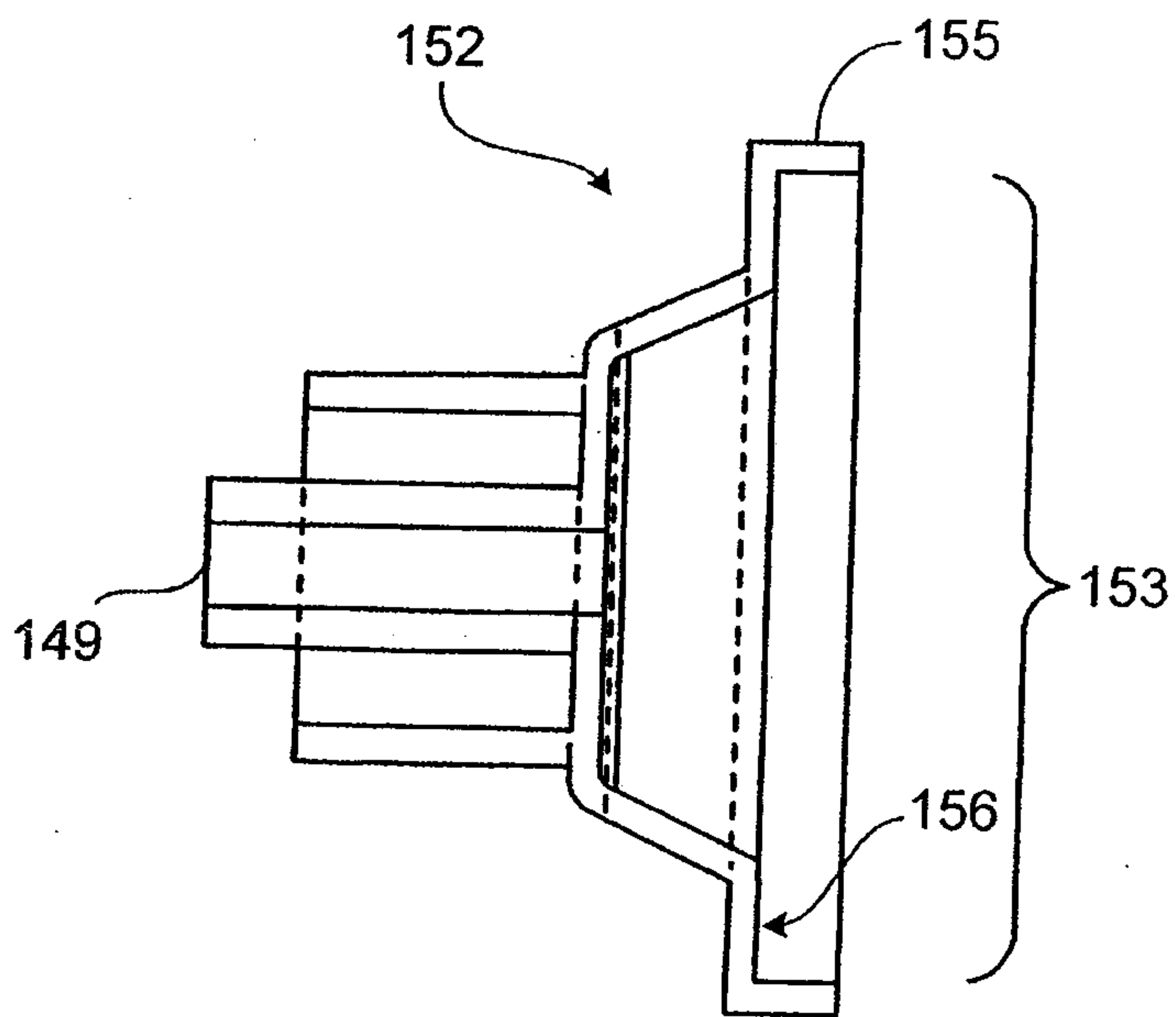


FIG. 4B

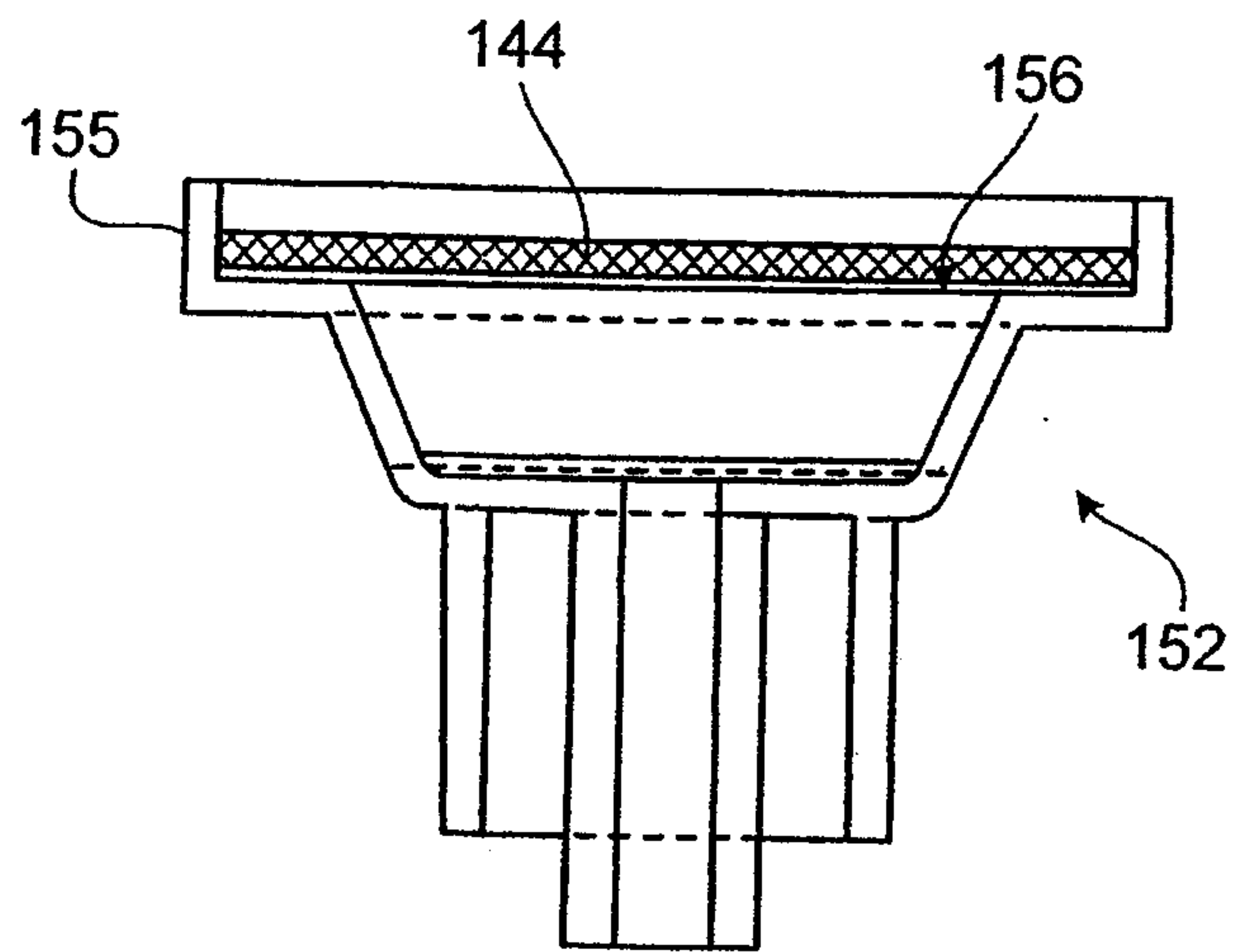


FIG. 5A

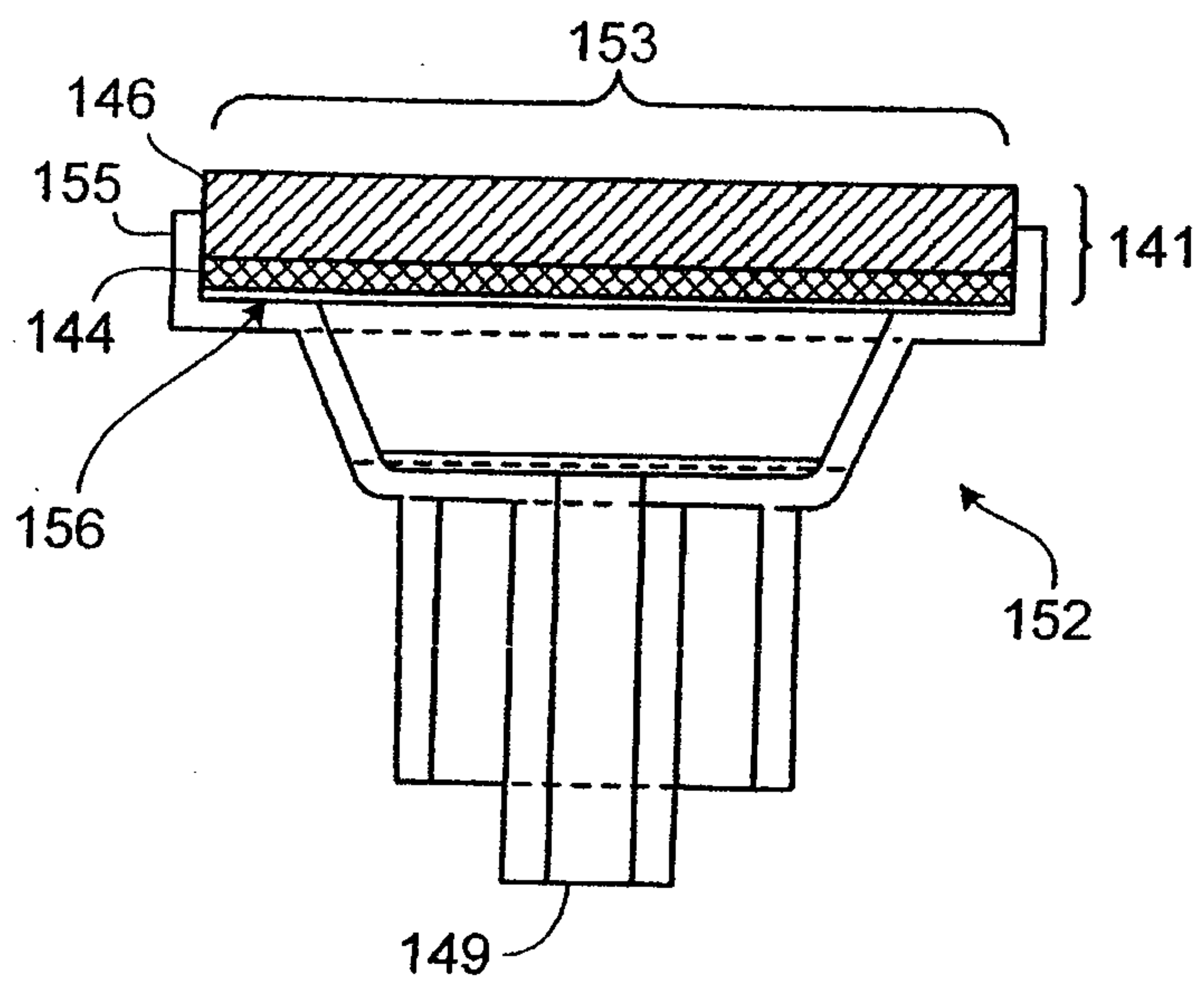


FIG. 5B

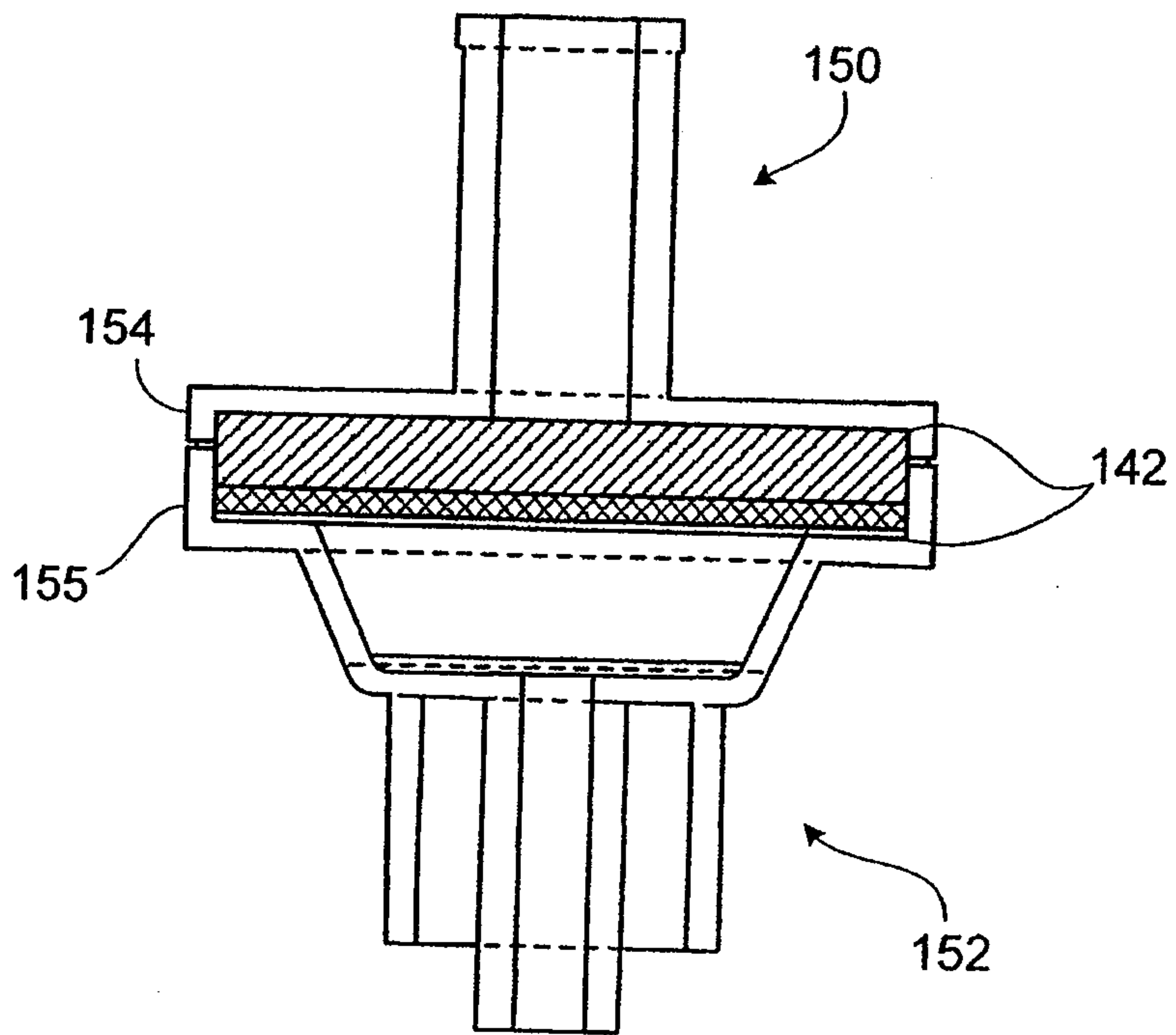


FIG. 5C

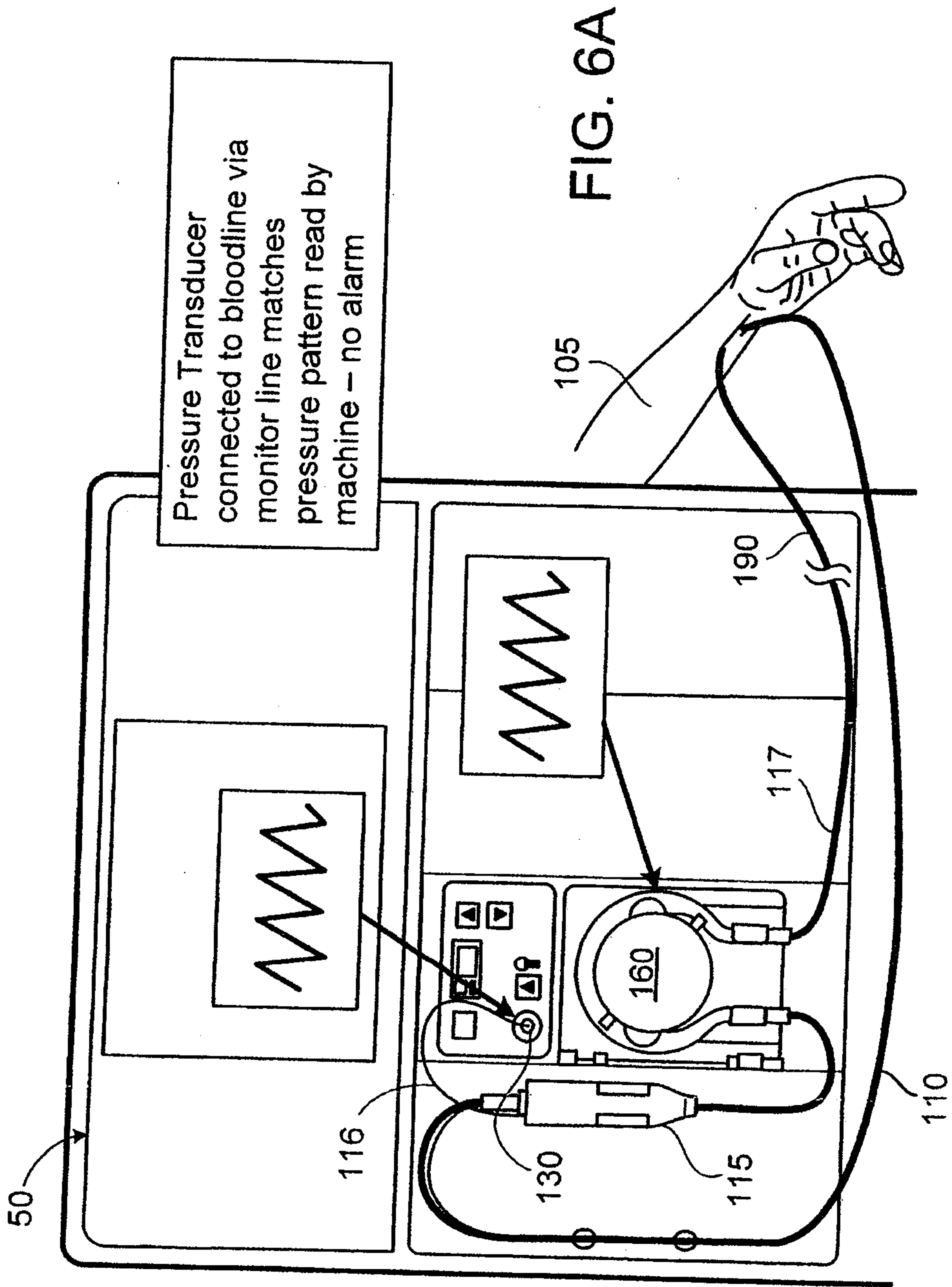
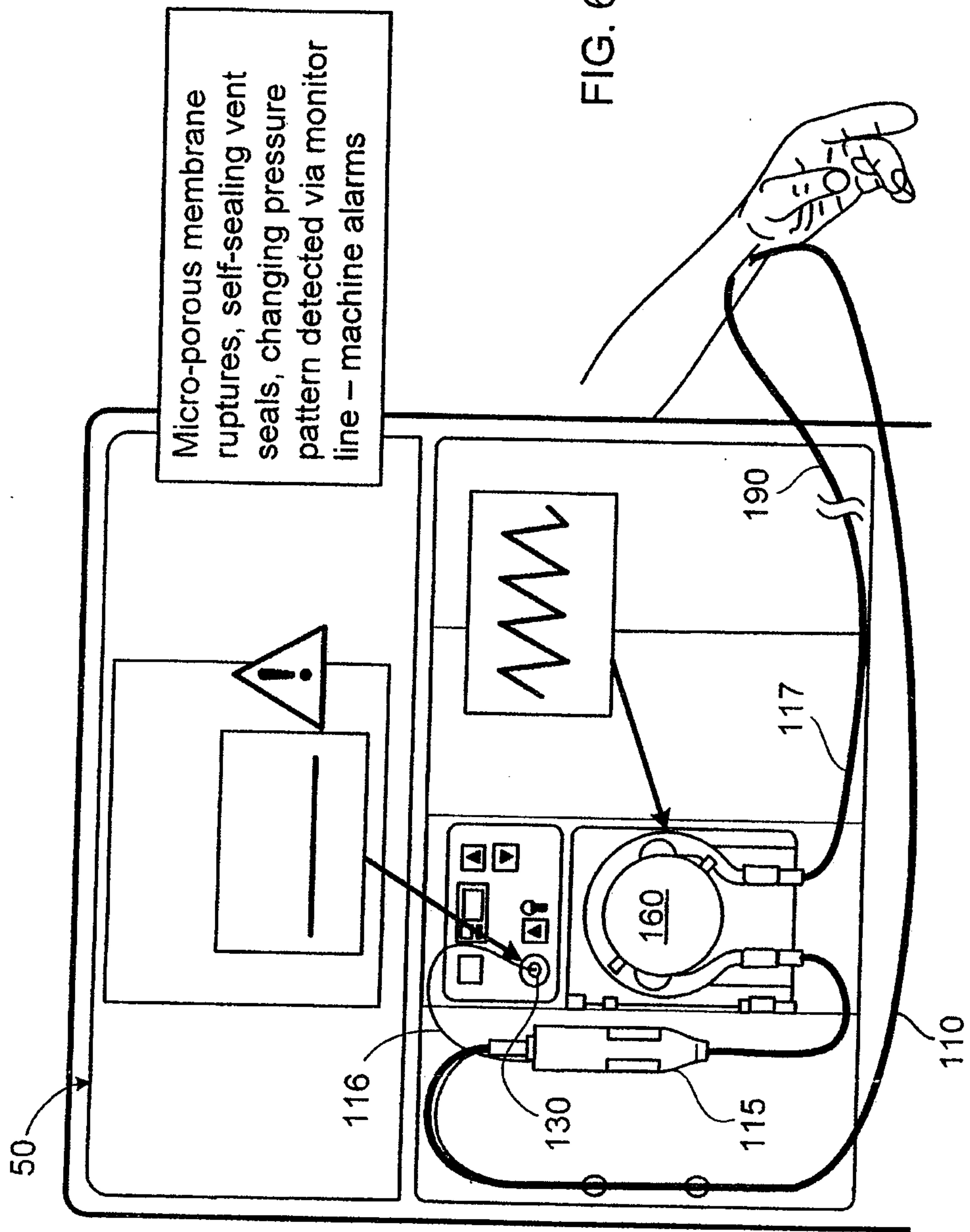


FIG. 6A



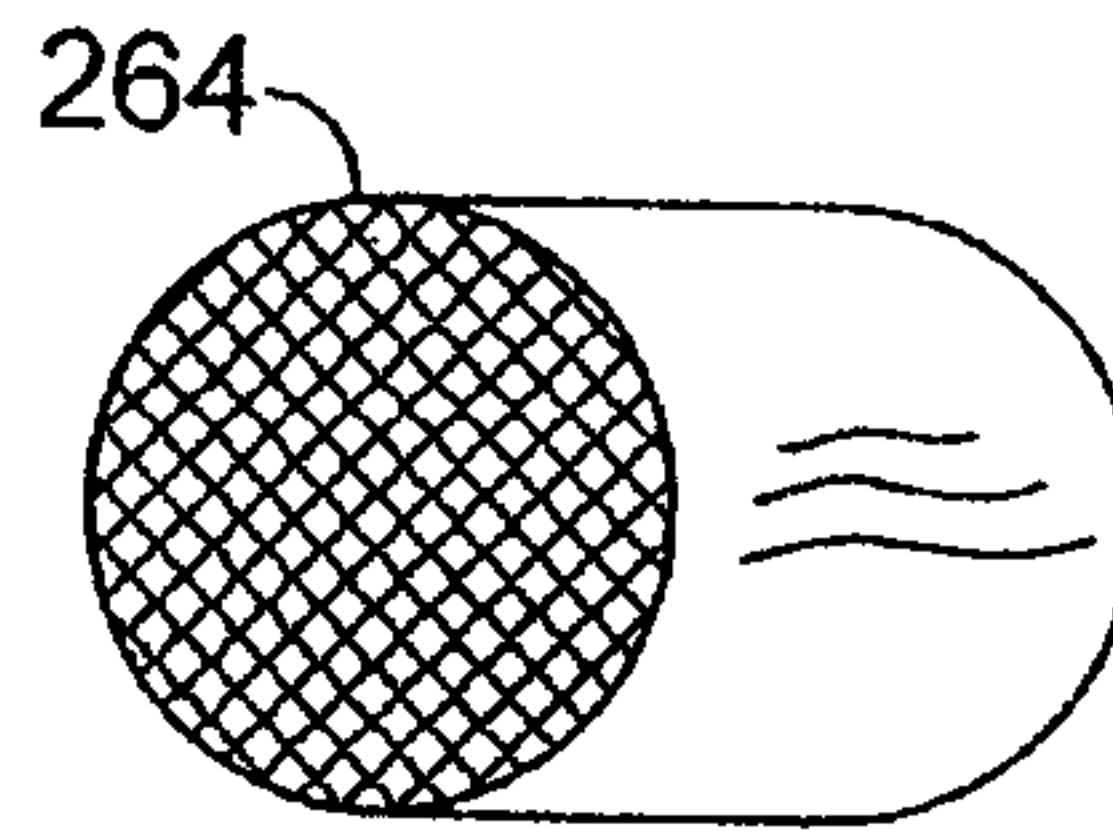


FIG. 7A

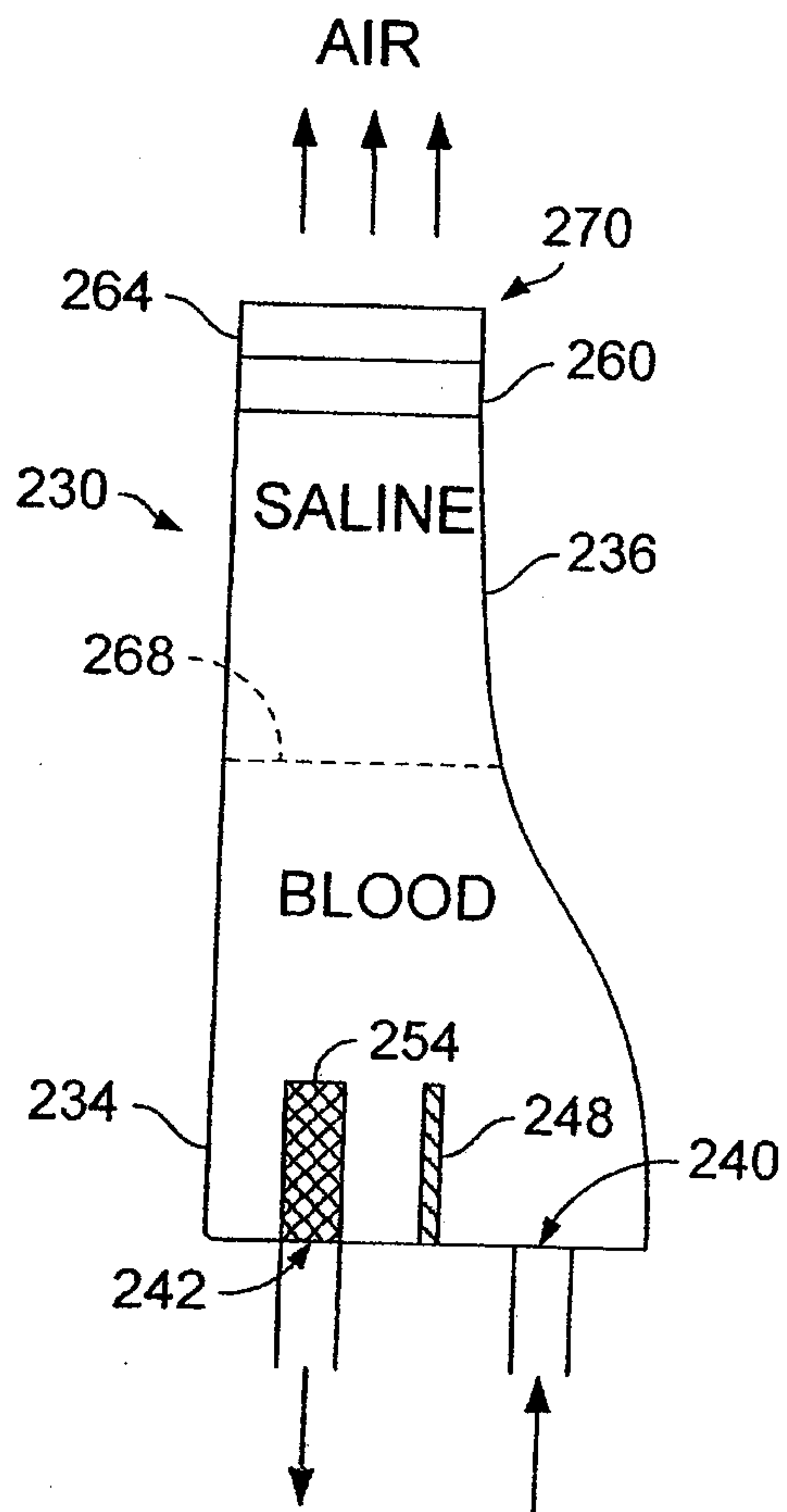


FIG. 7

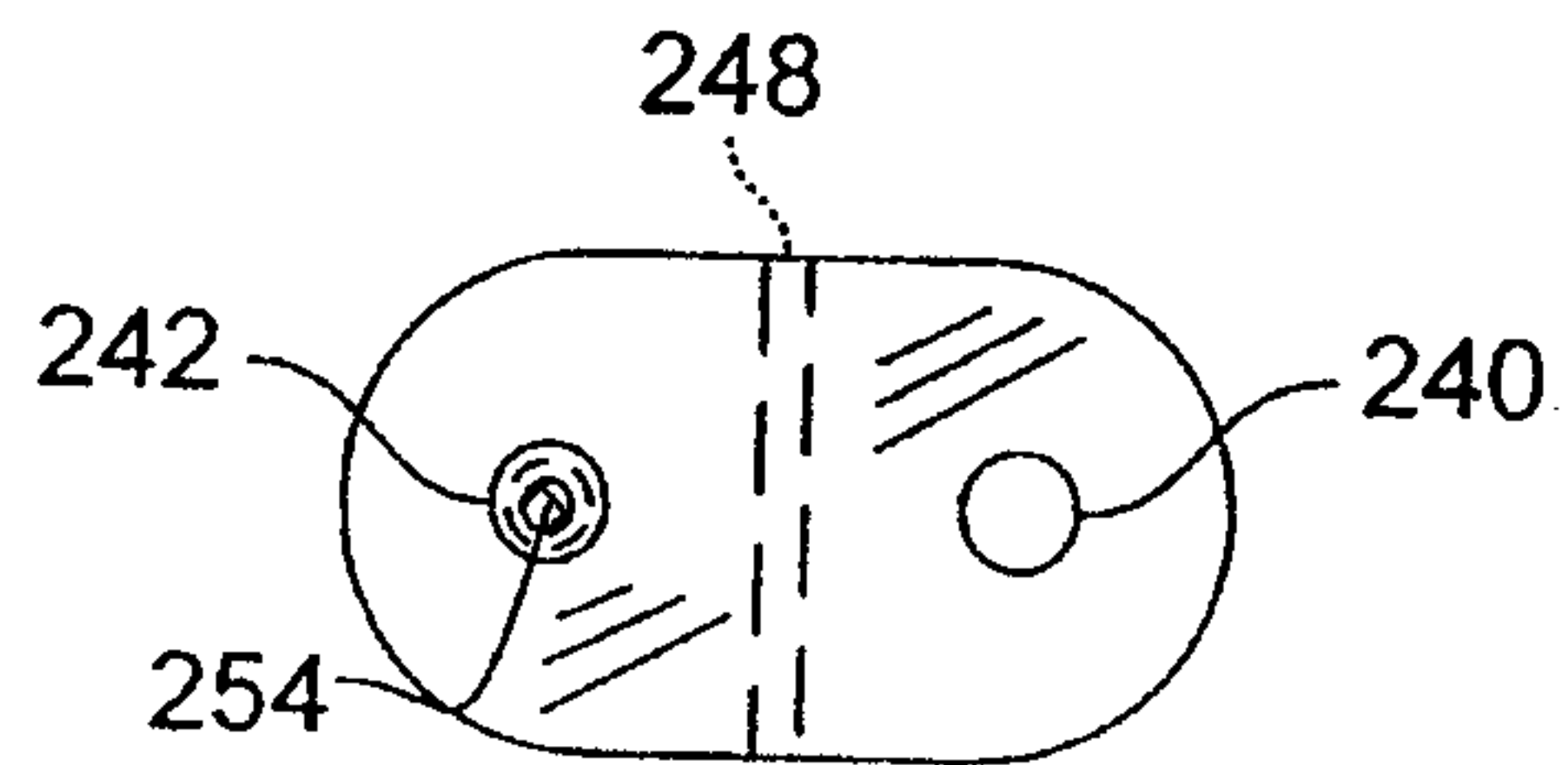


FIG. 7B

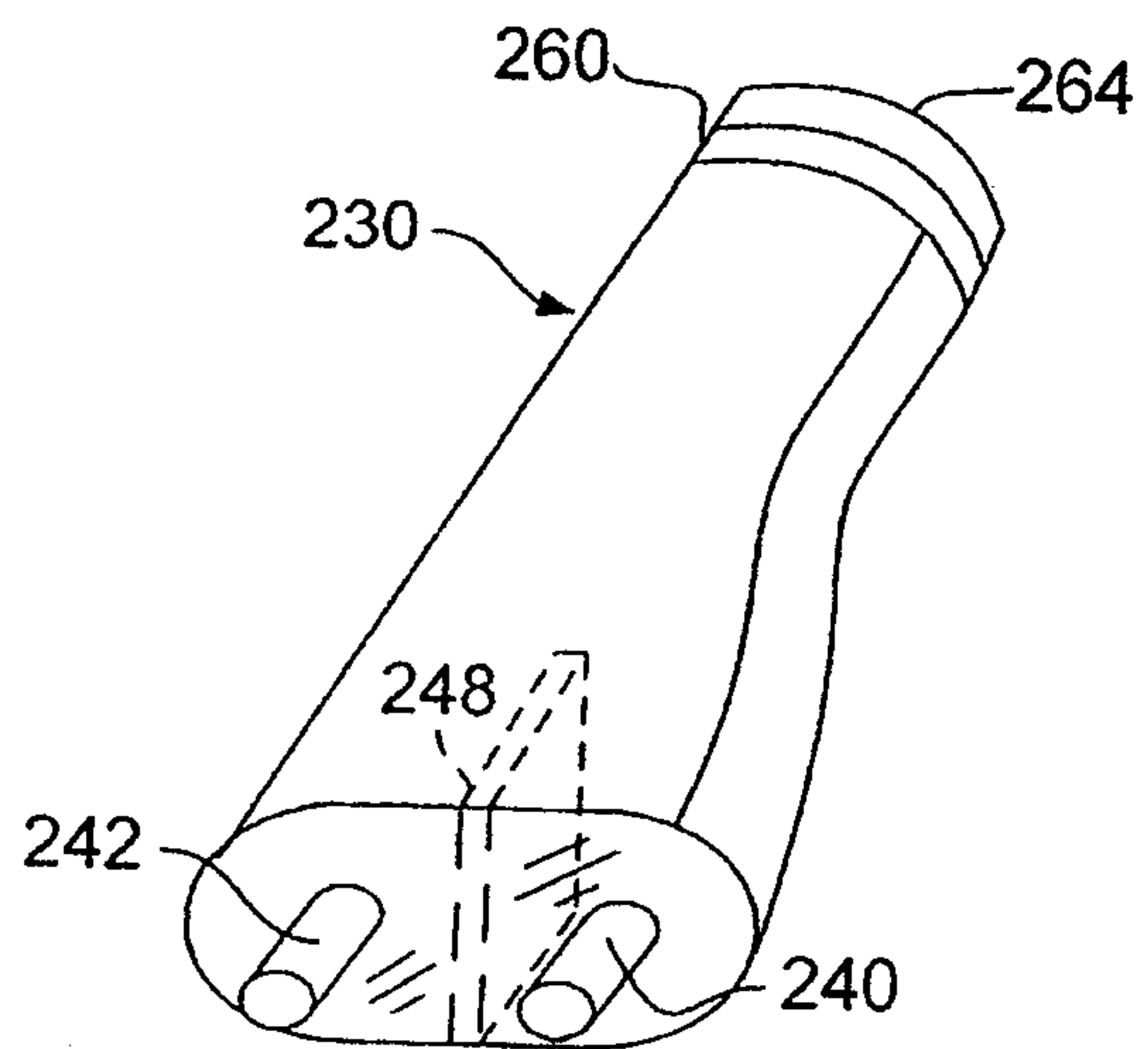


FIG. 7C

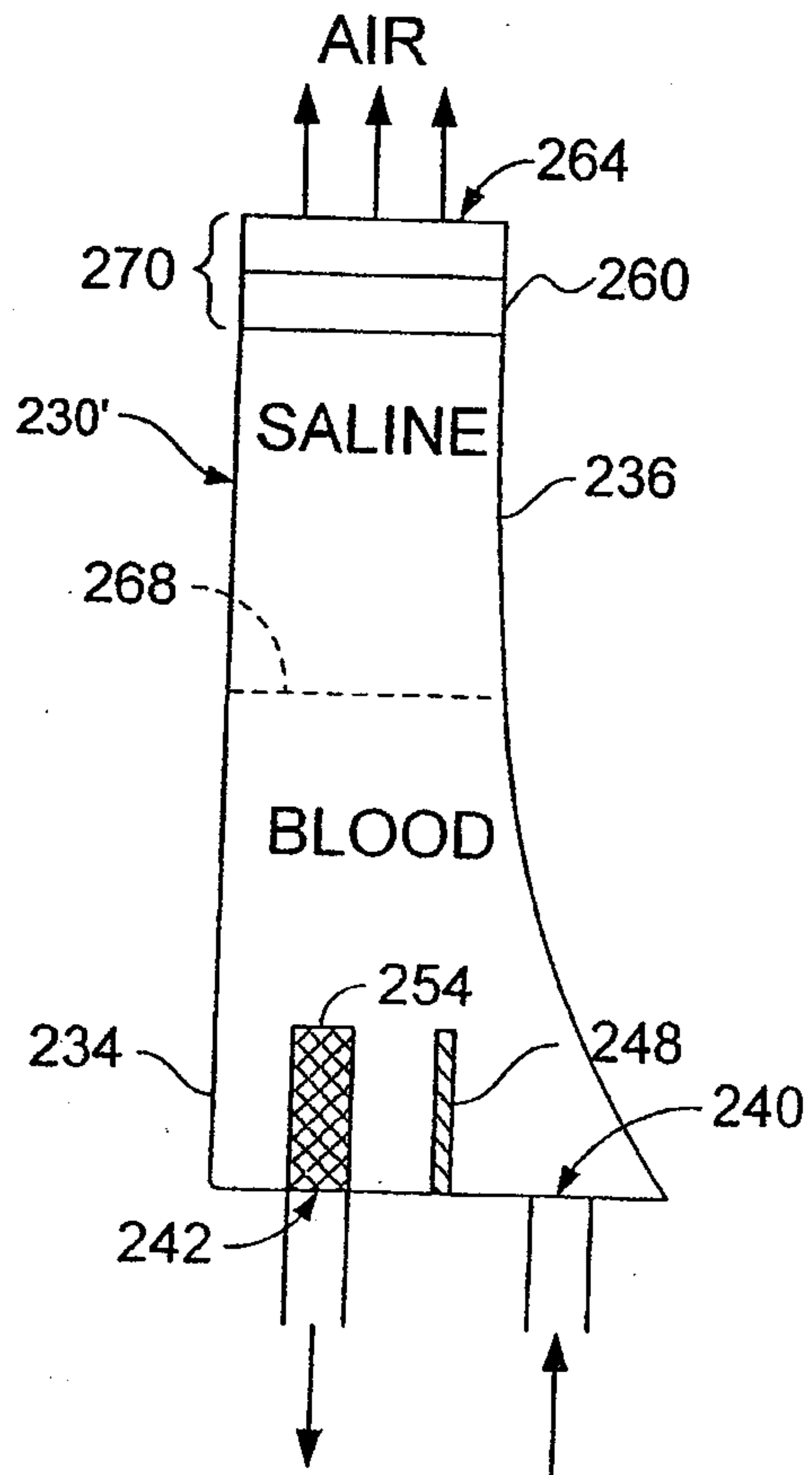


FIG. 7D

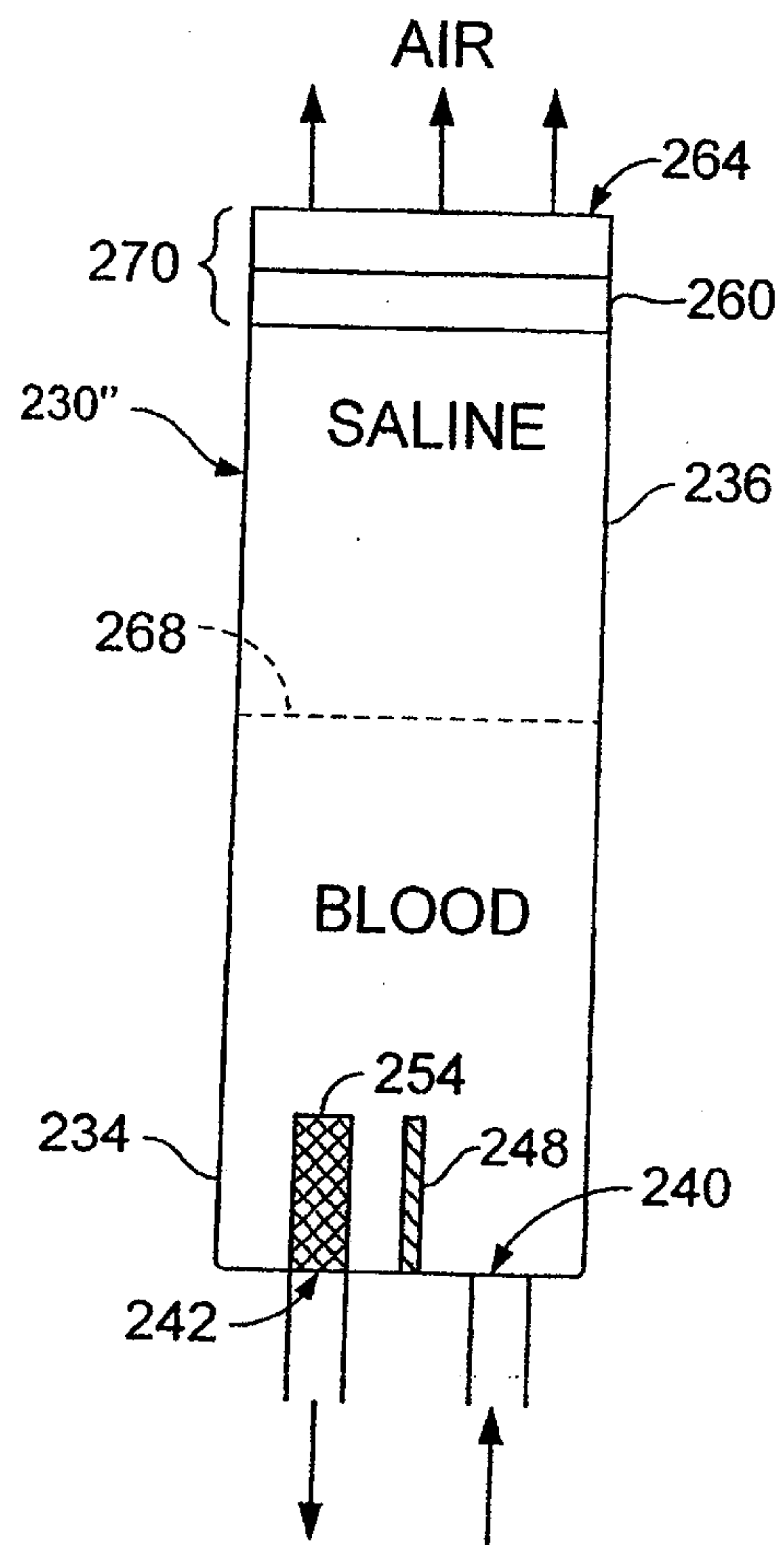


FIG. 7E

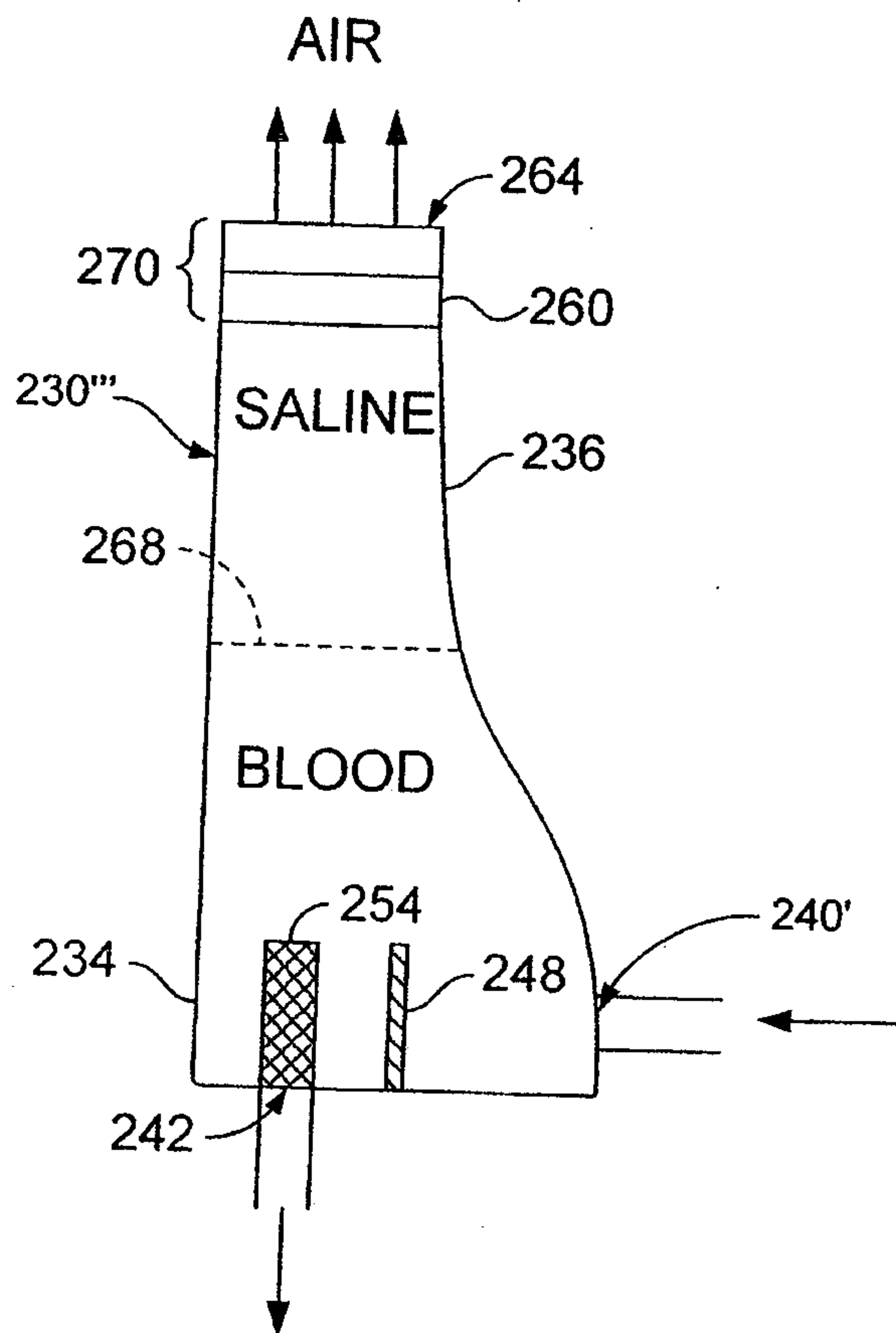
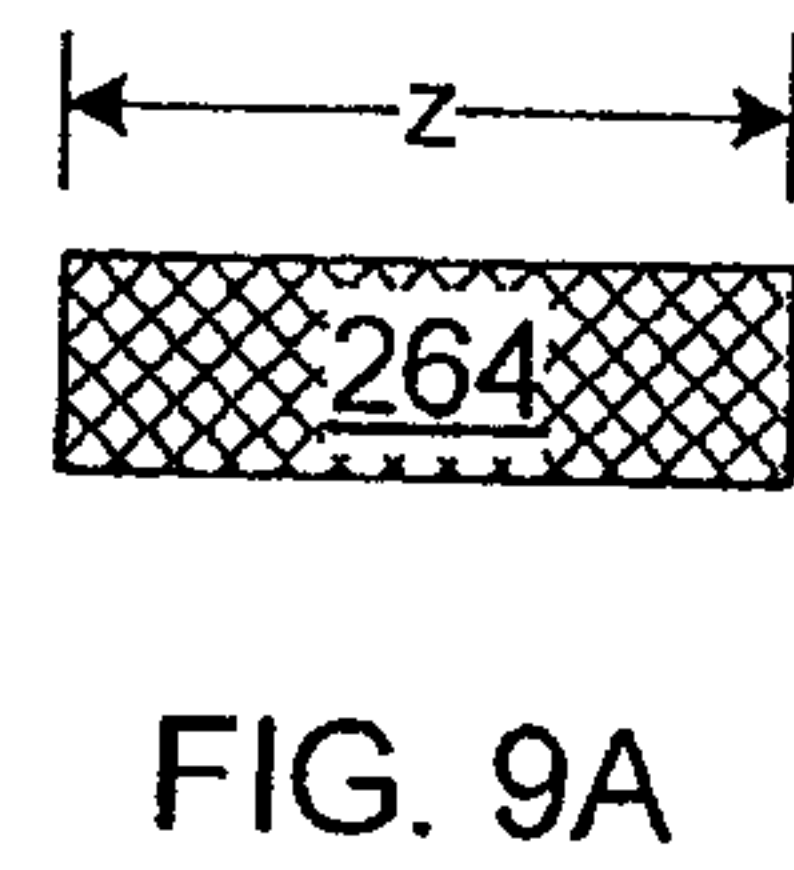
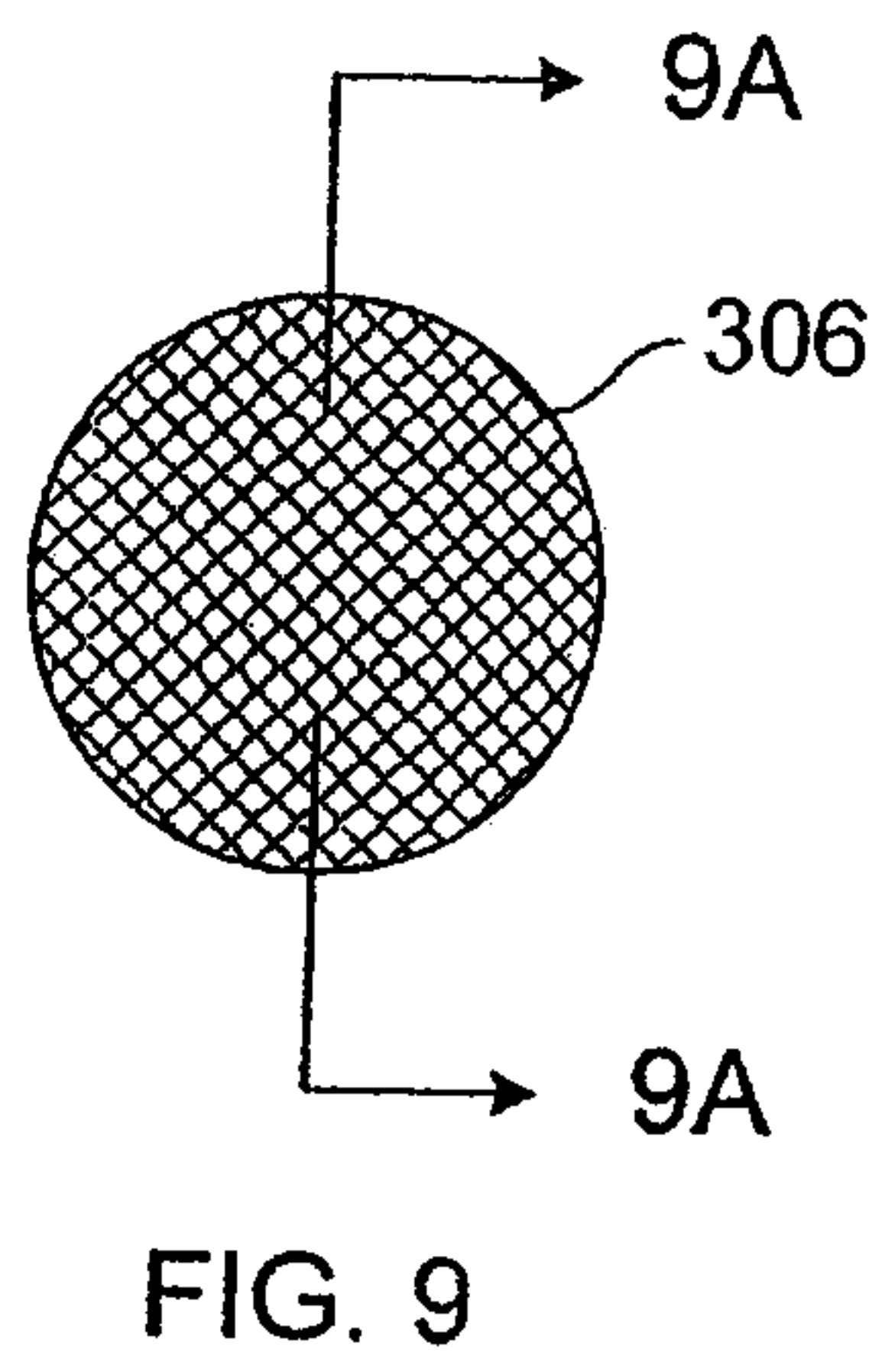
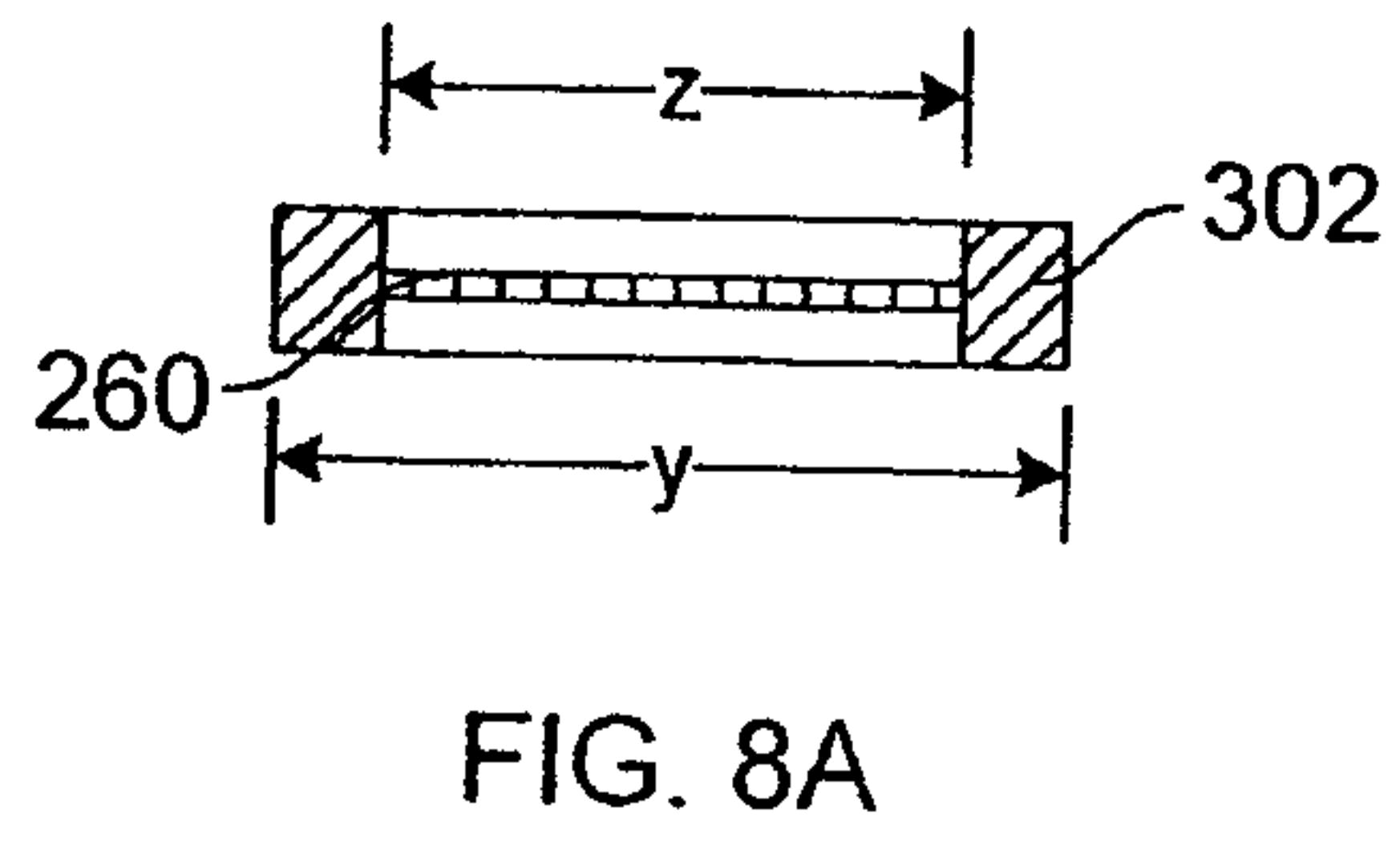
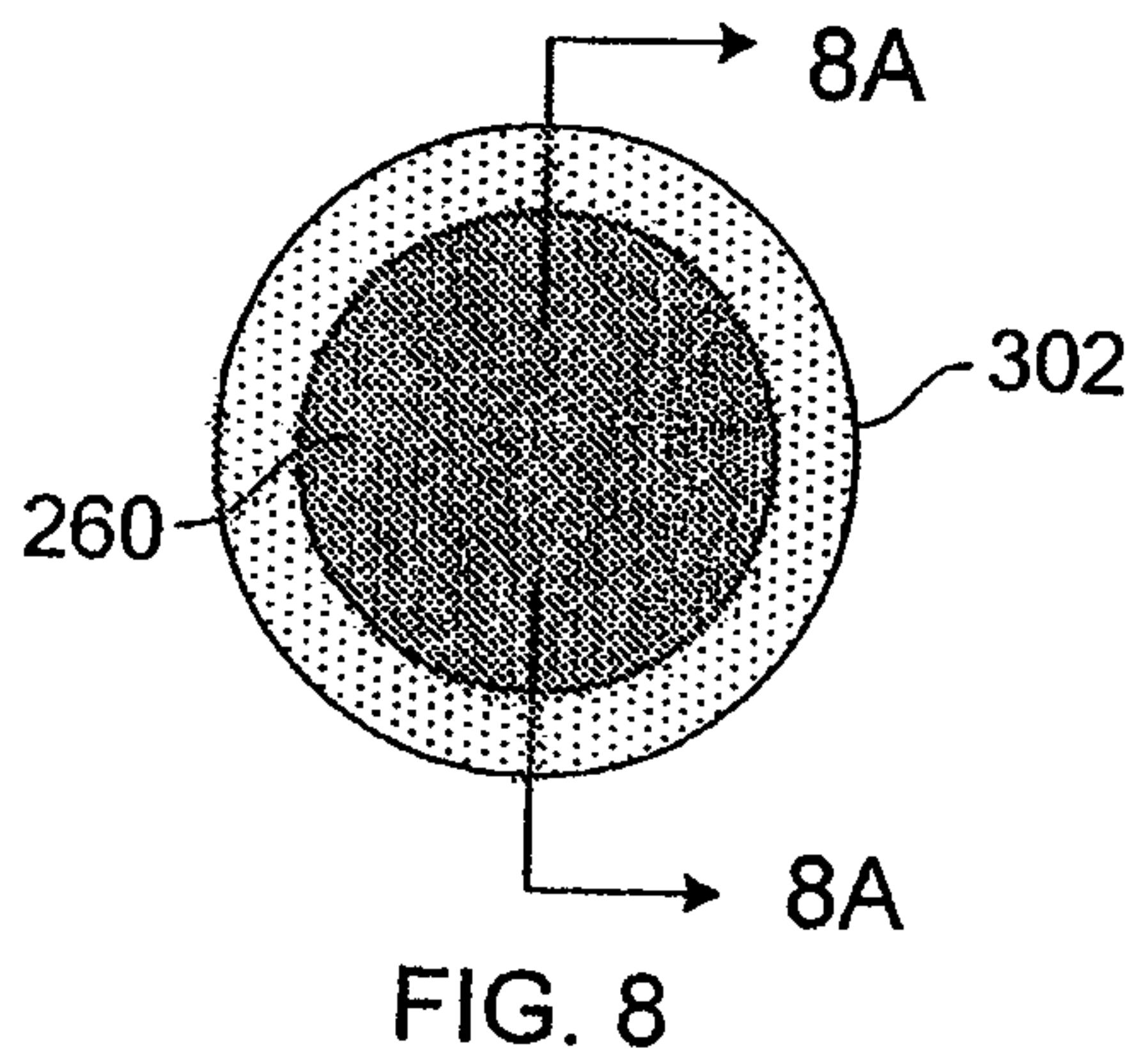


FIG. 7F



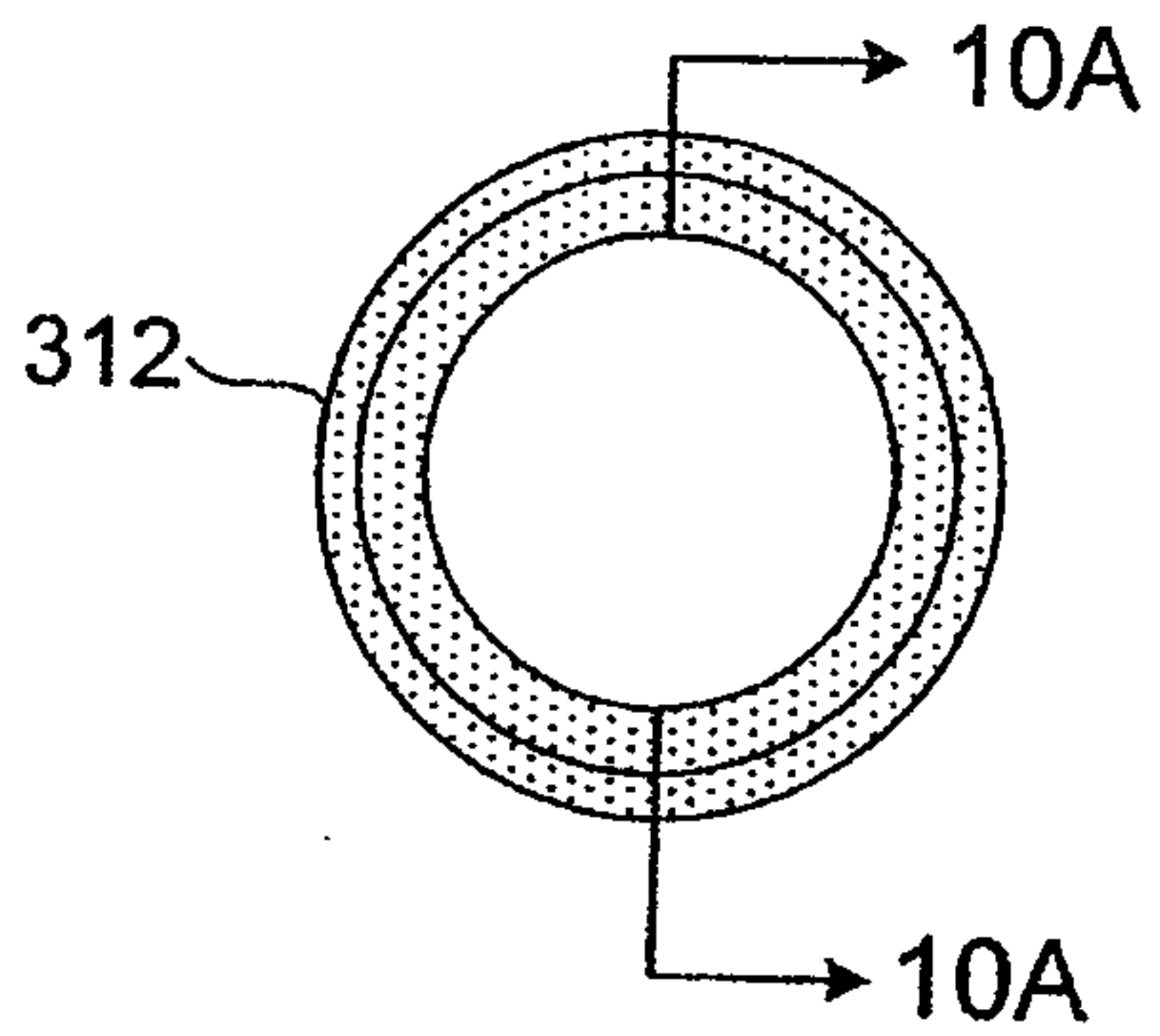


FIG. 10

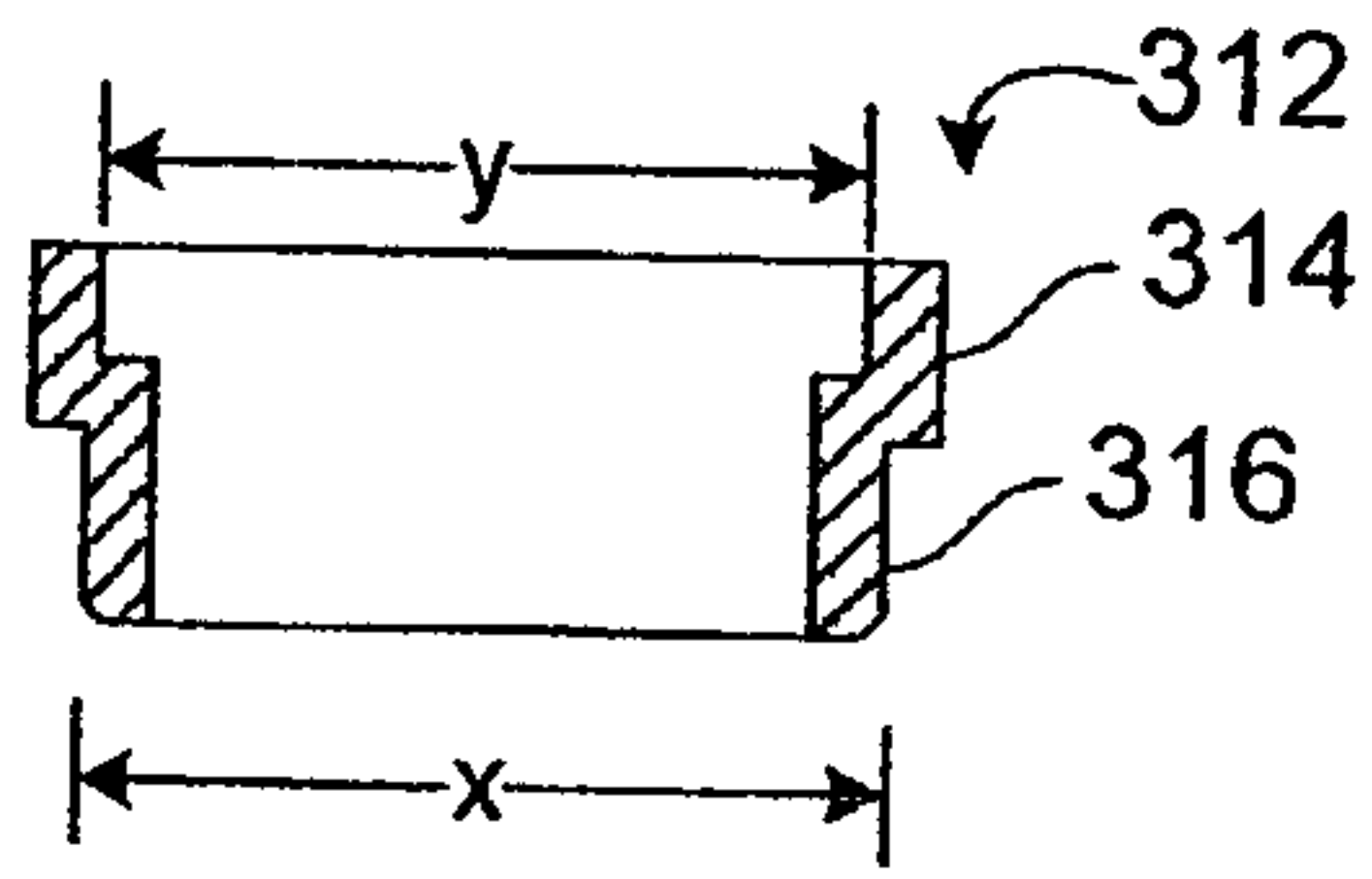


FIG. 10A

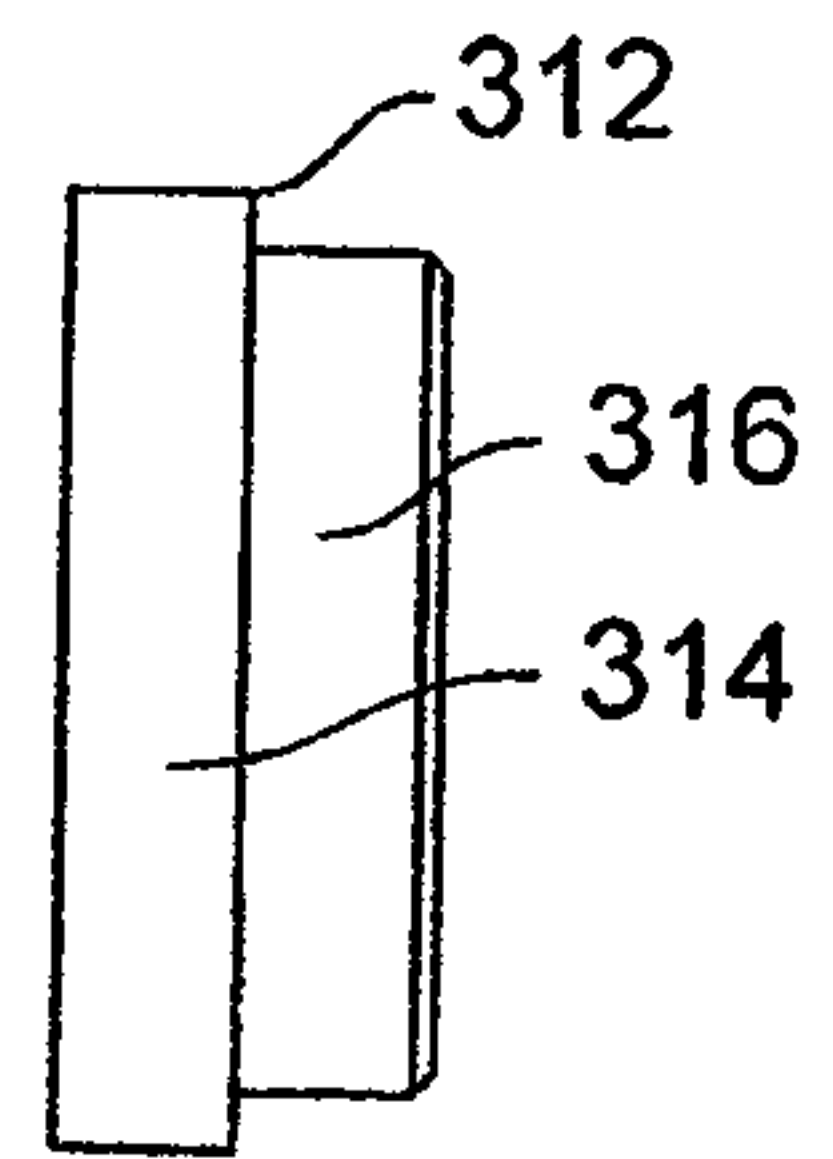


FIG. 10B

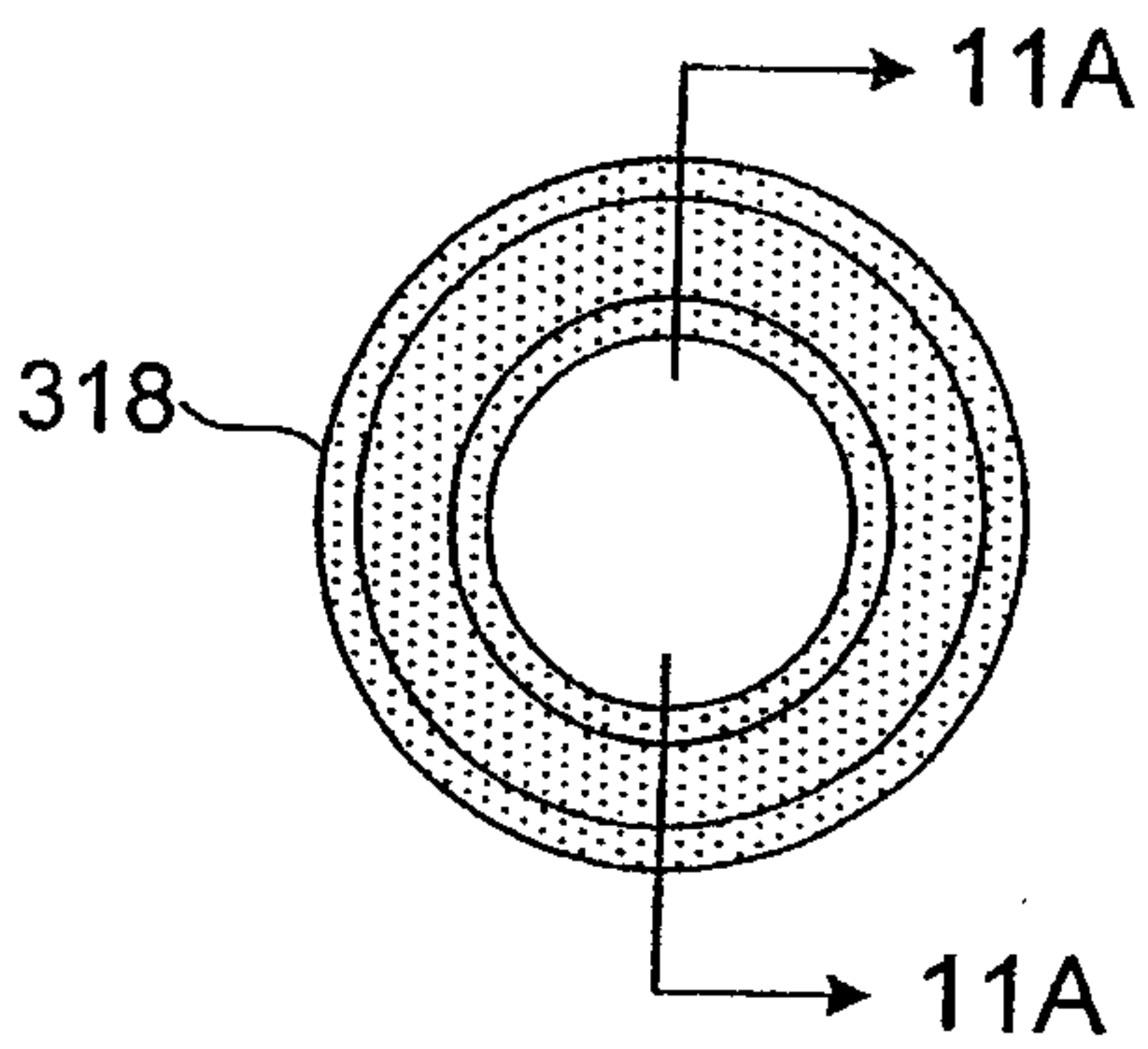


FIG. 11

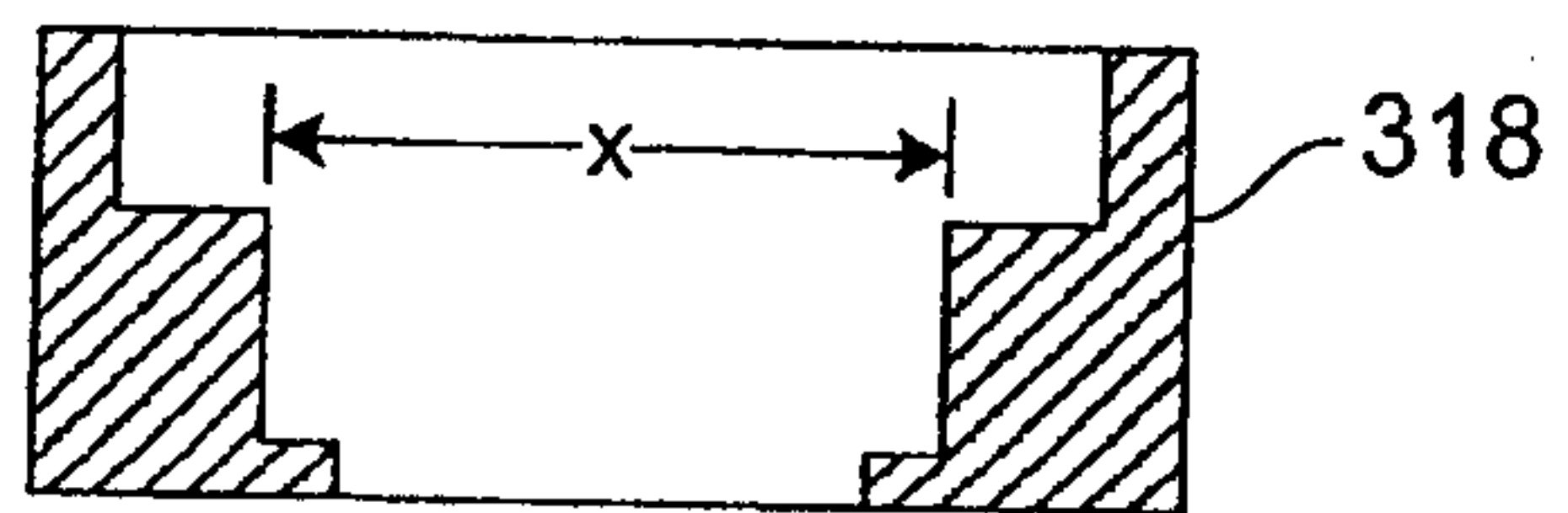


FIG. 11A

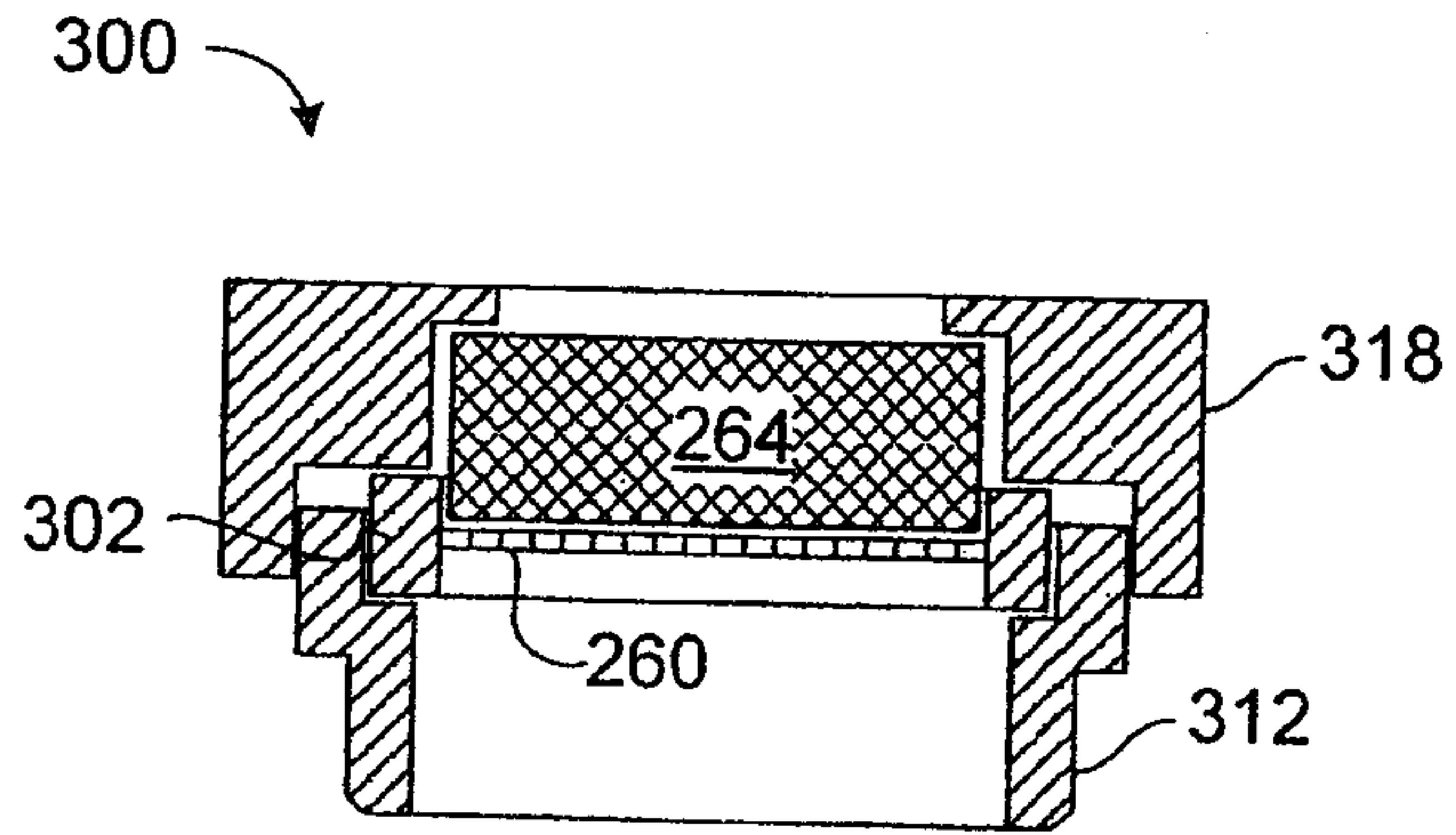


FIG. 12

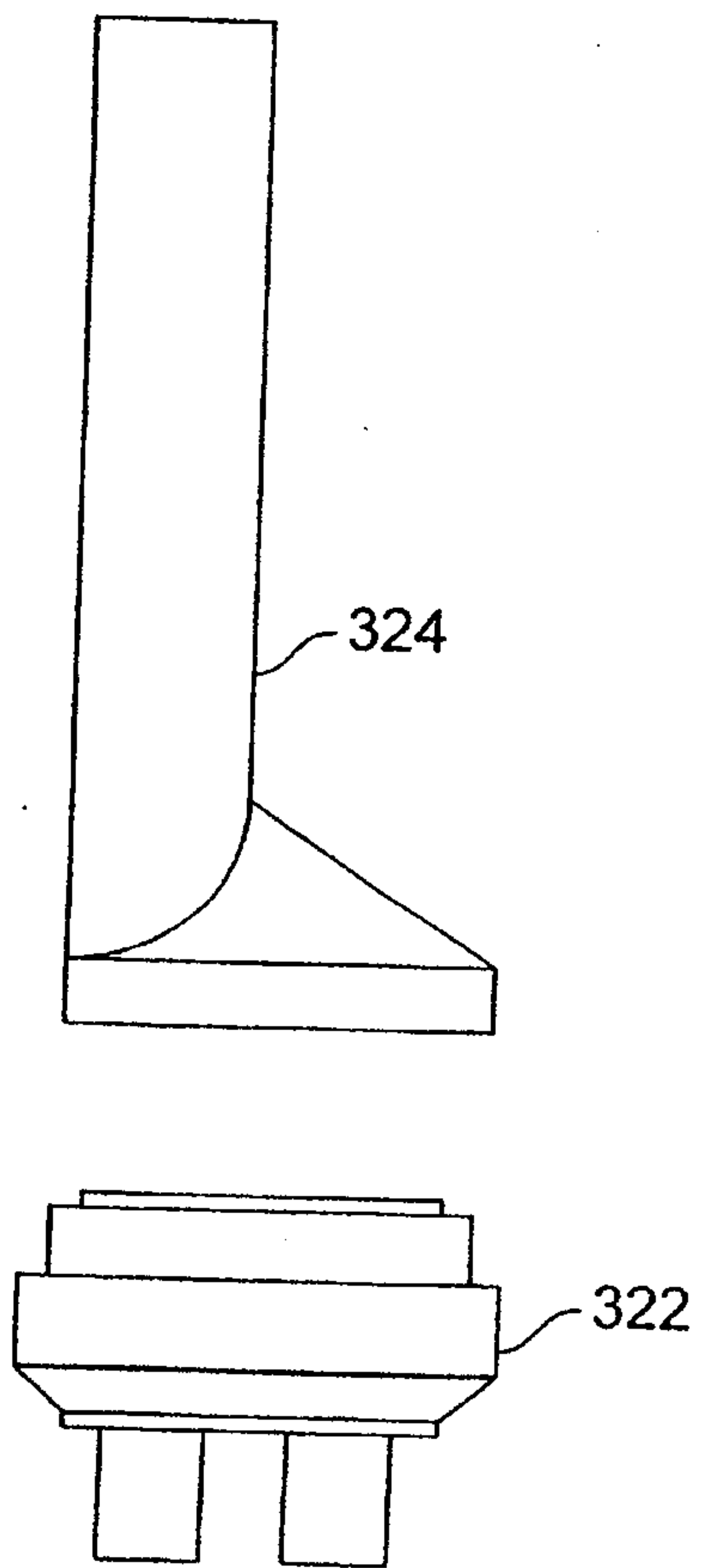


FIG. 13

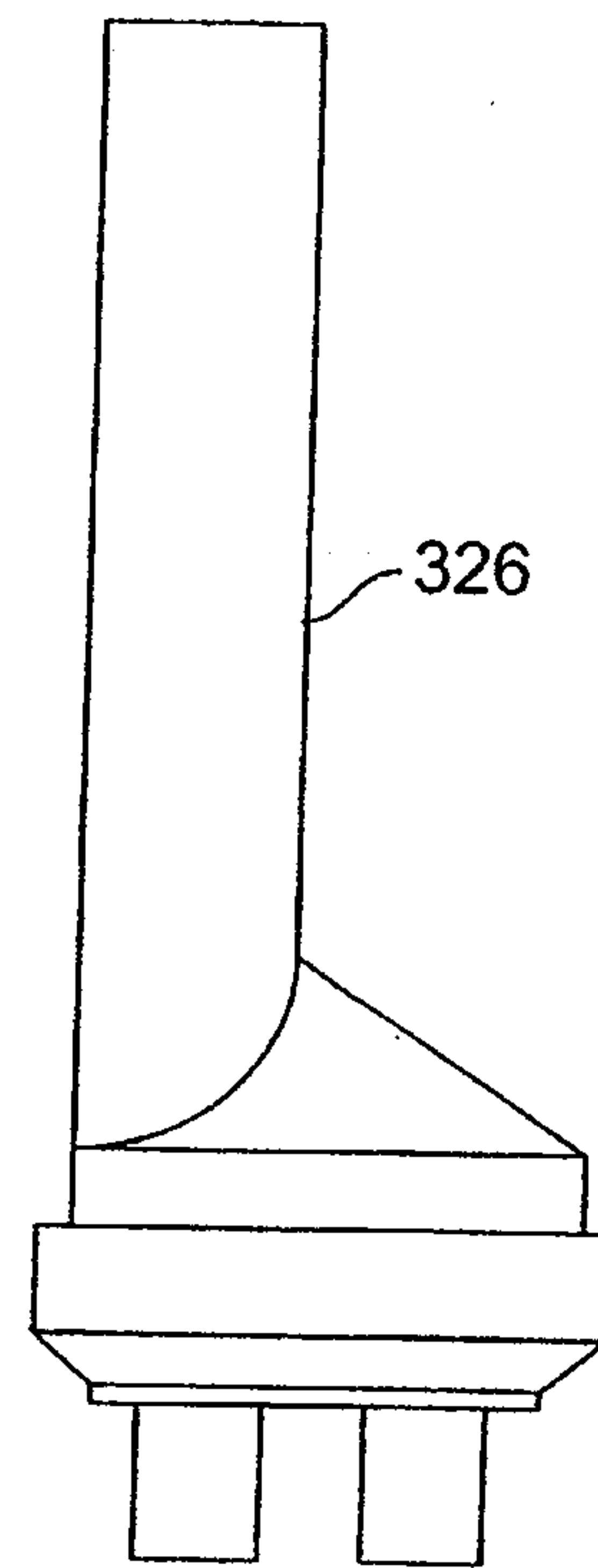


FIG. 14

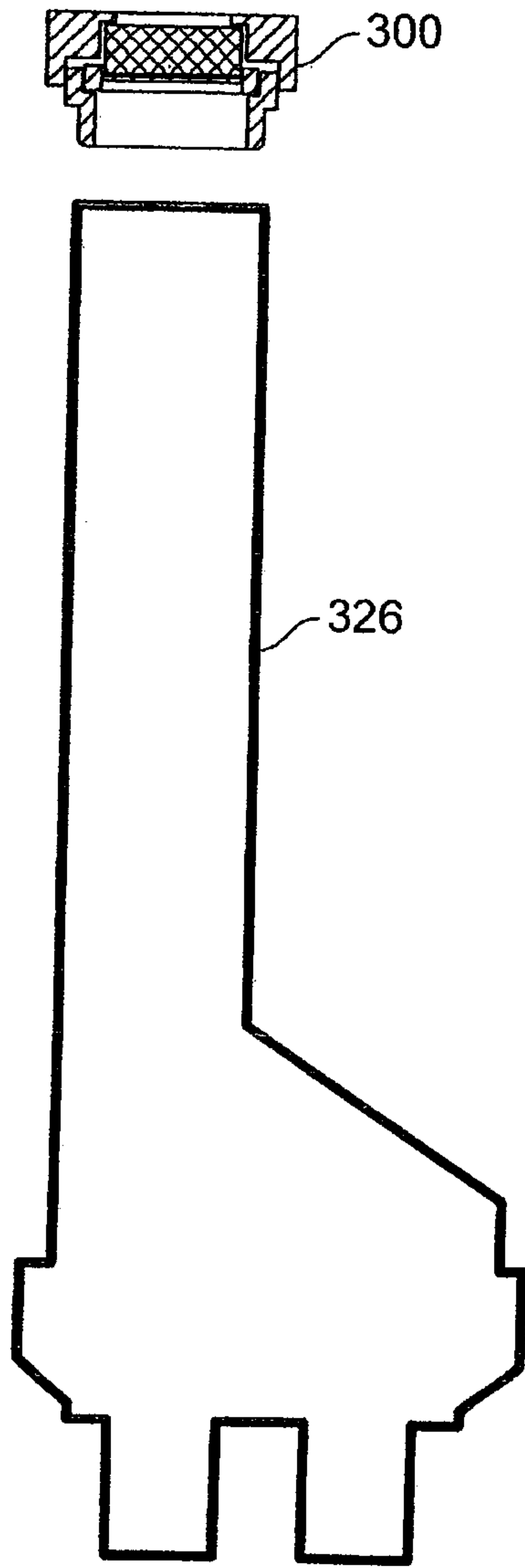


FIG. 15

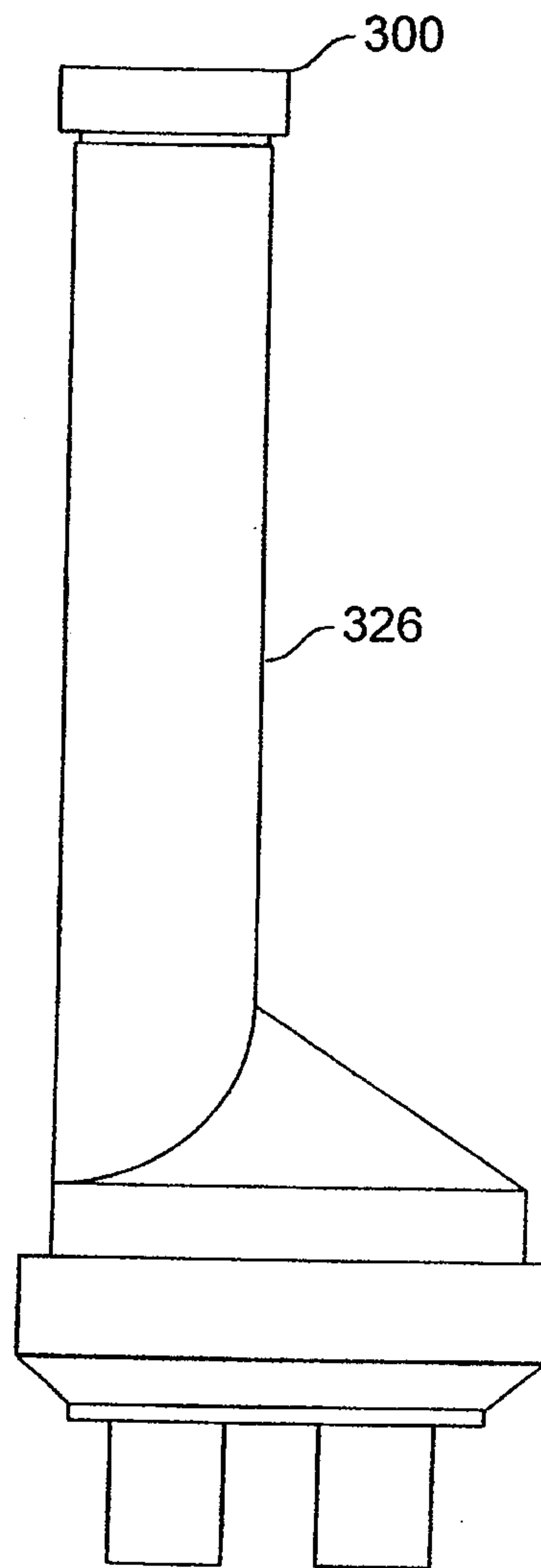


FIG. 16

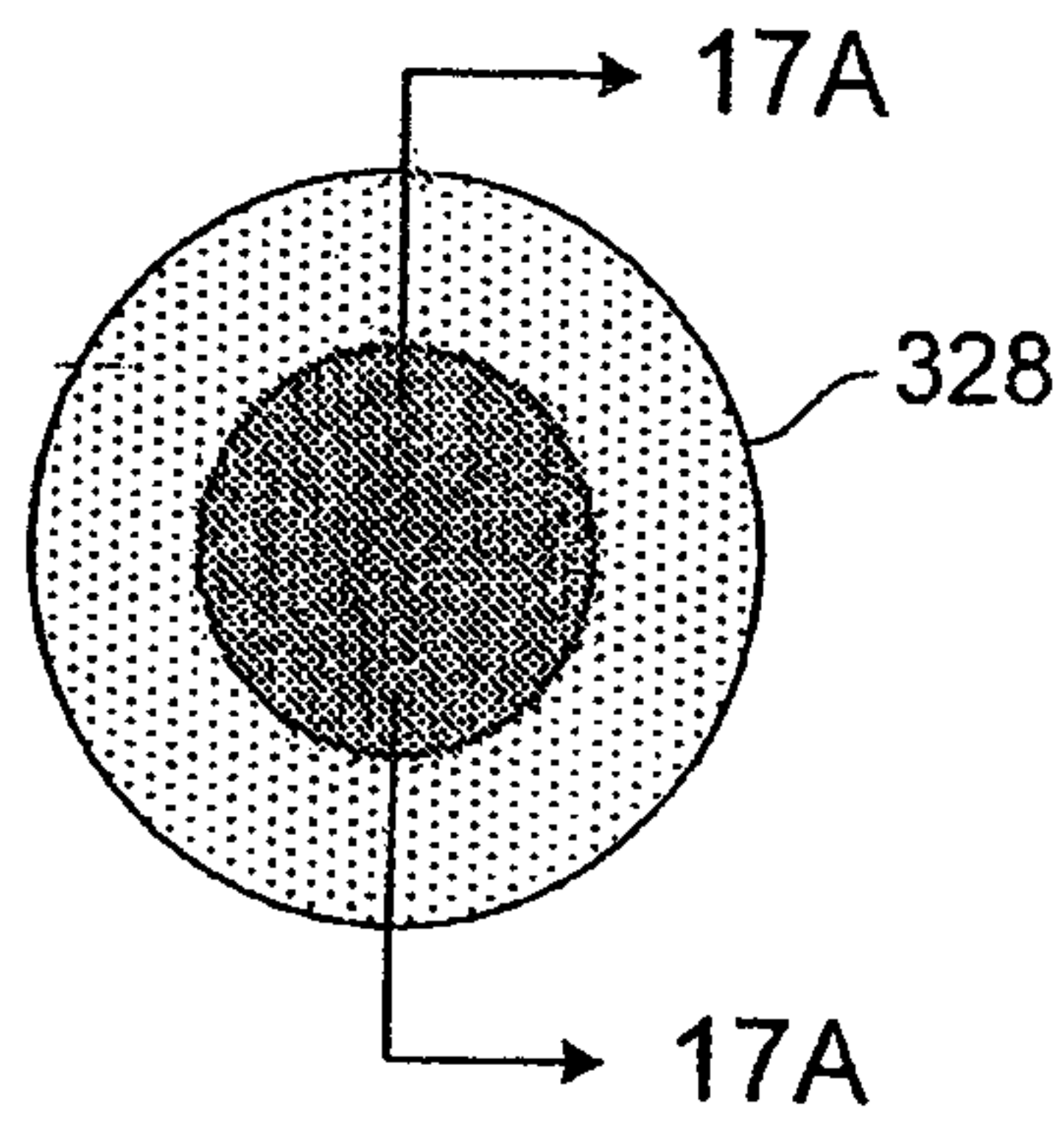


FIG. 17

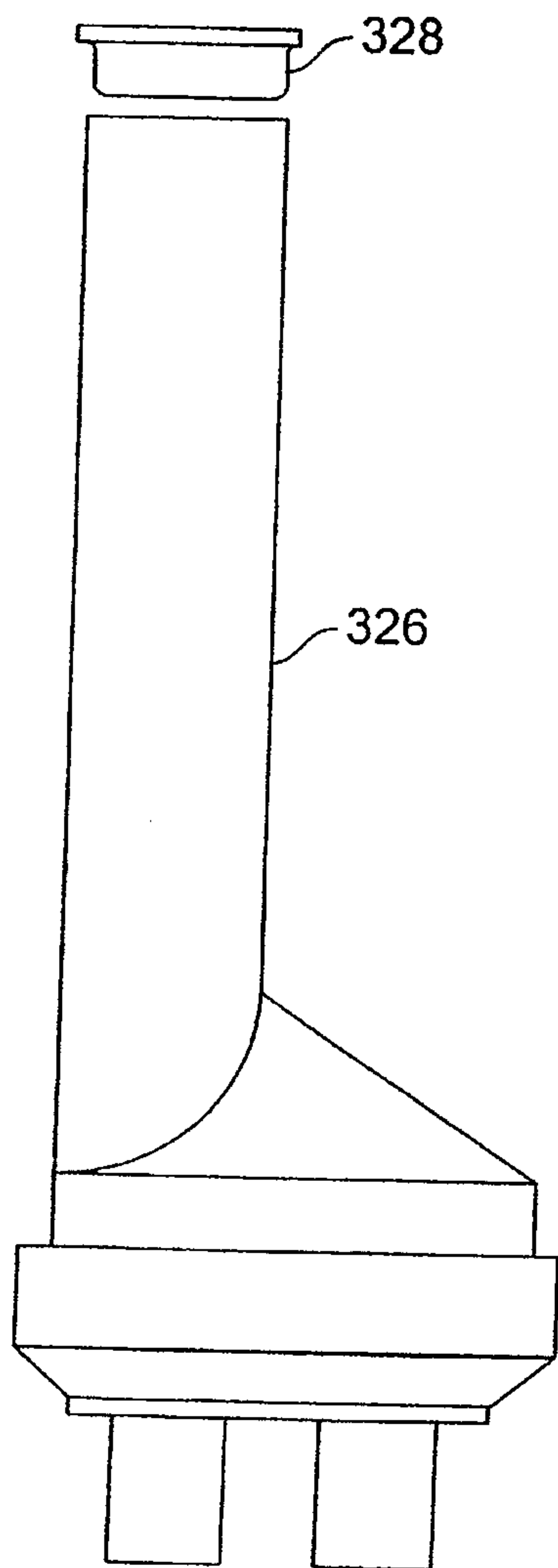


FIG. 19

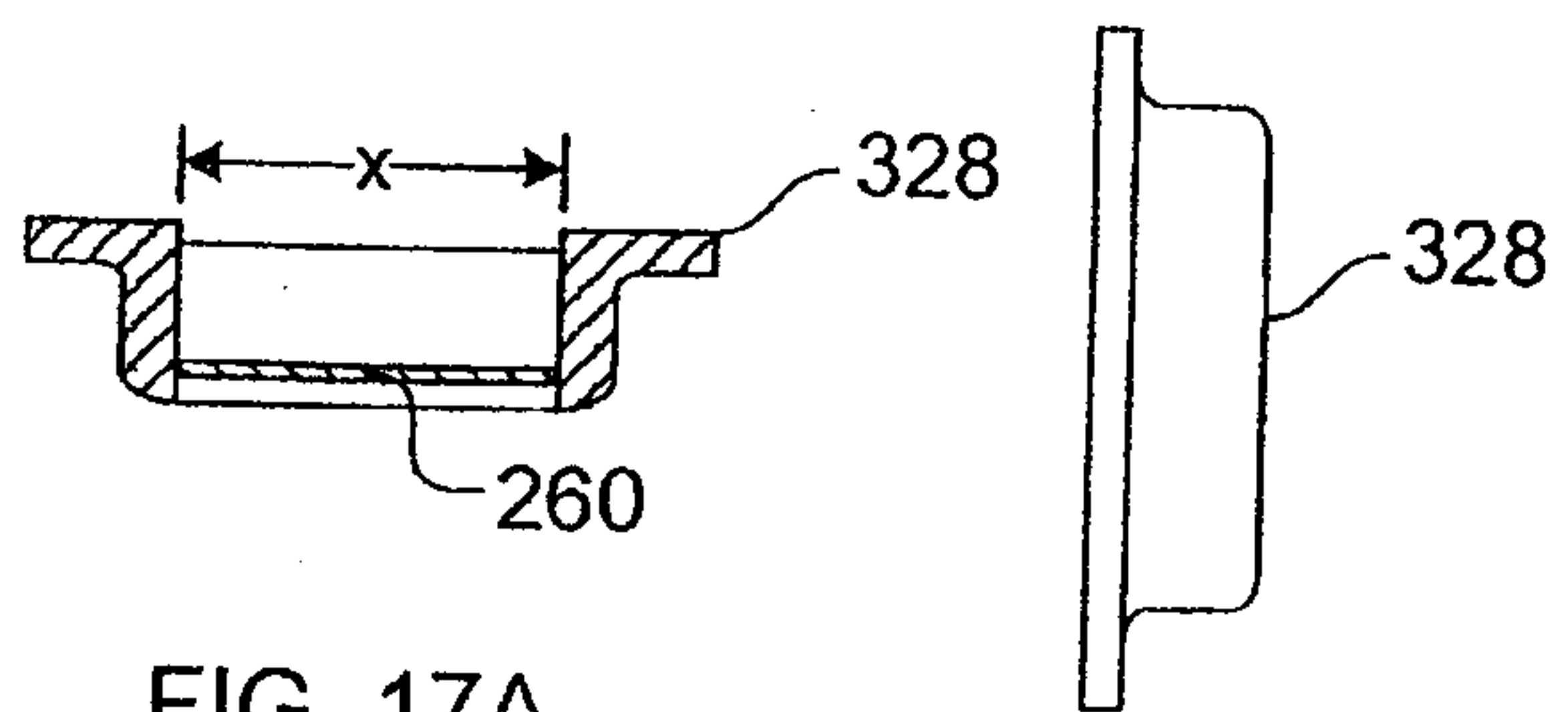


FIG. 17A

FIG. 17B

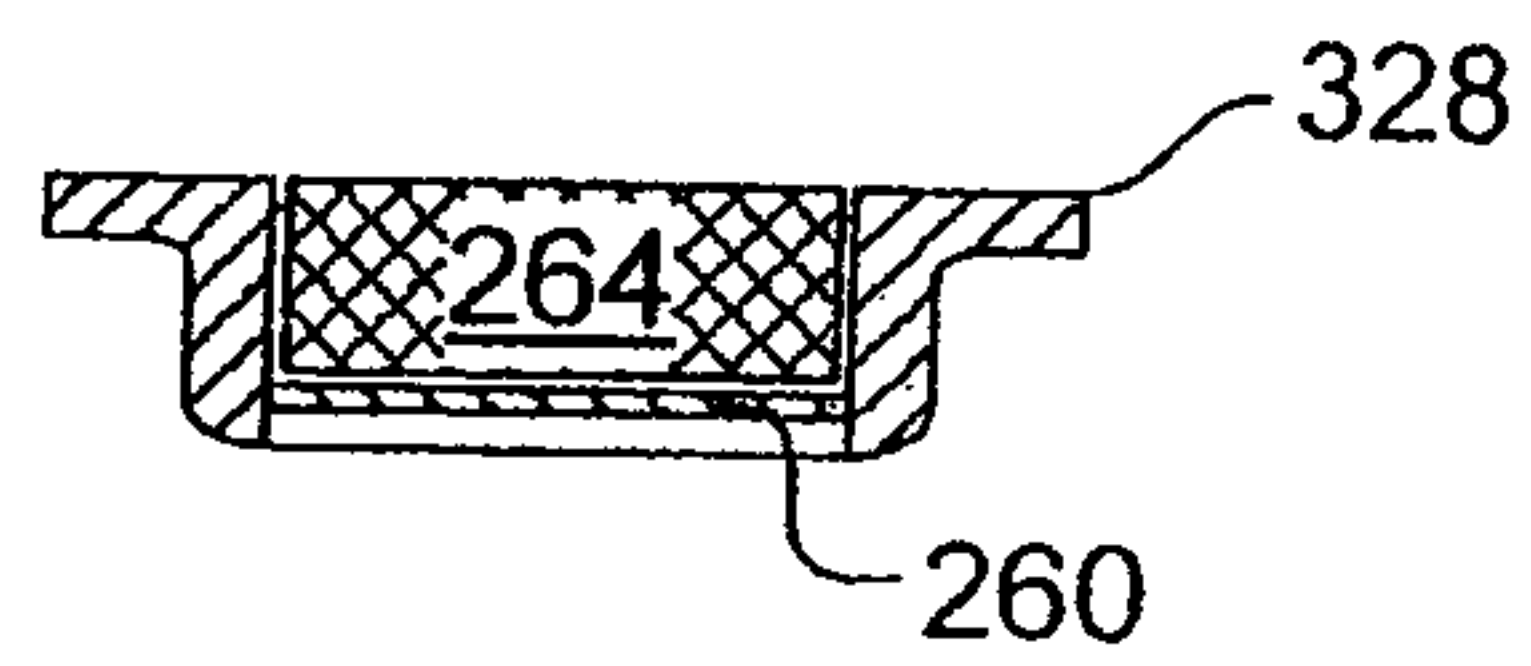


FIG. 18

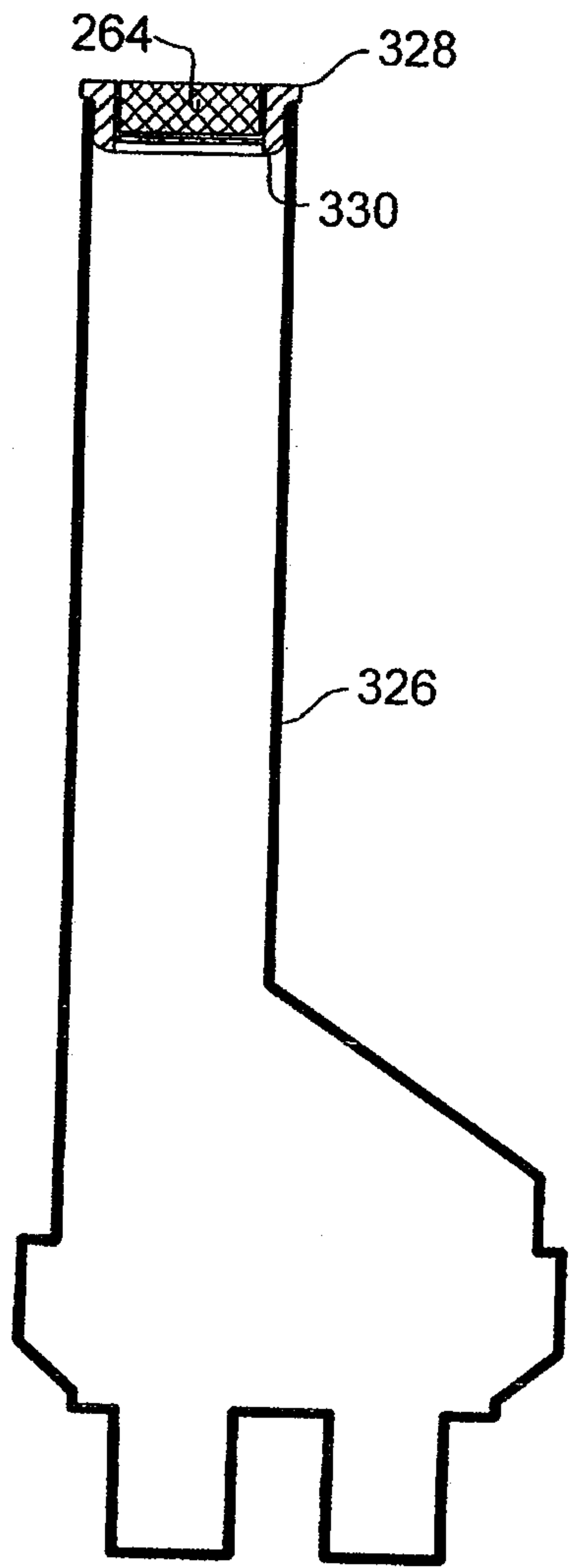


FIG. 20

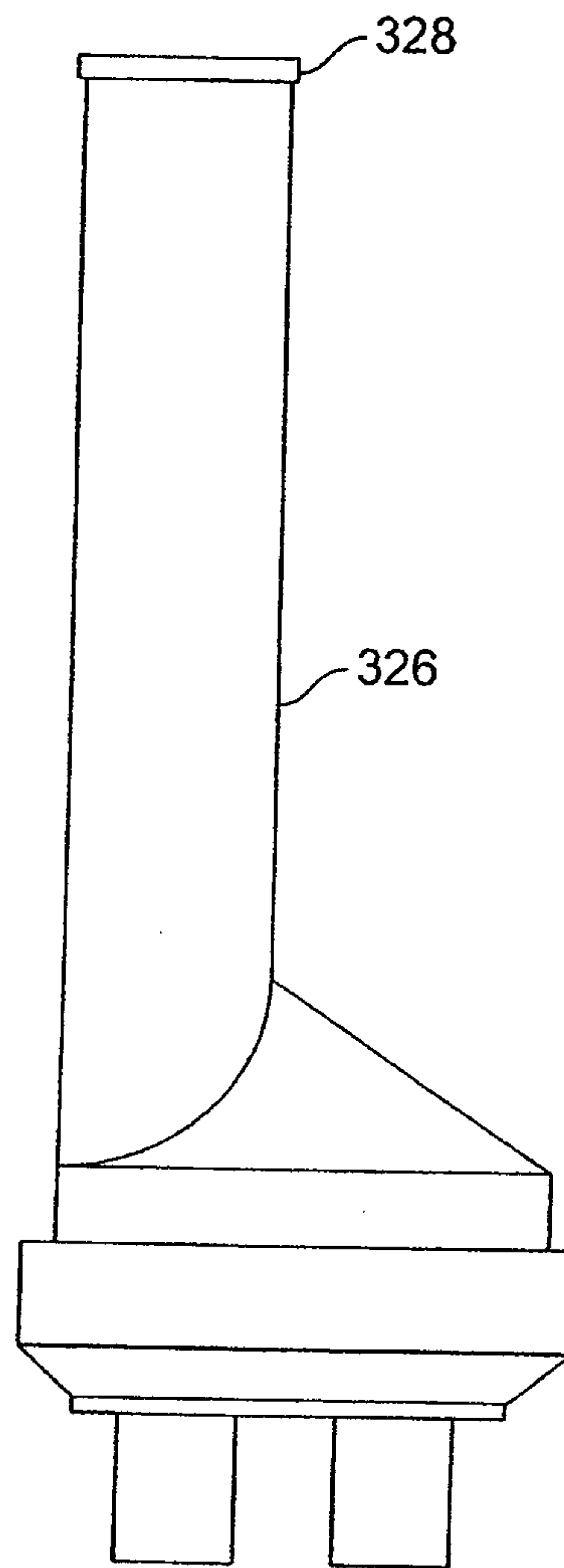


FIG. 21

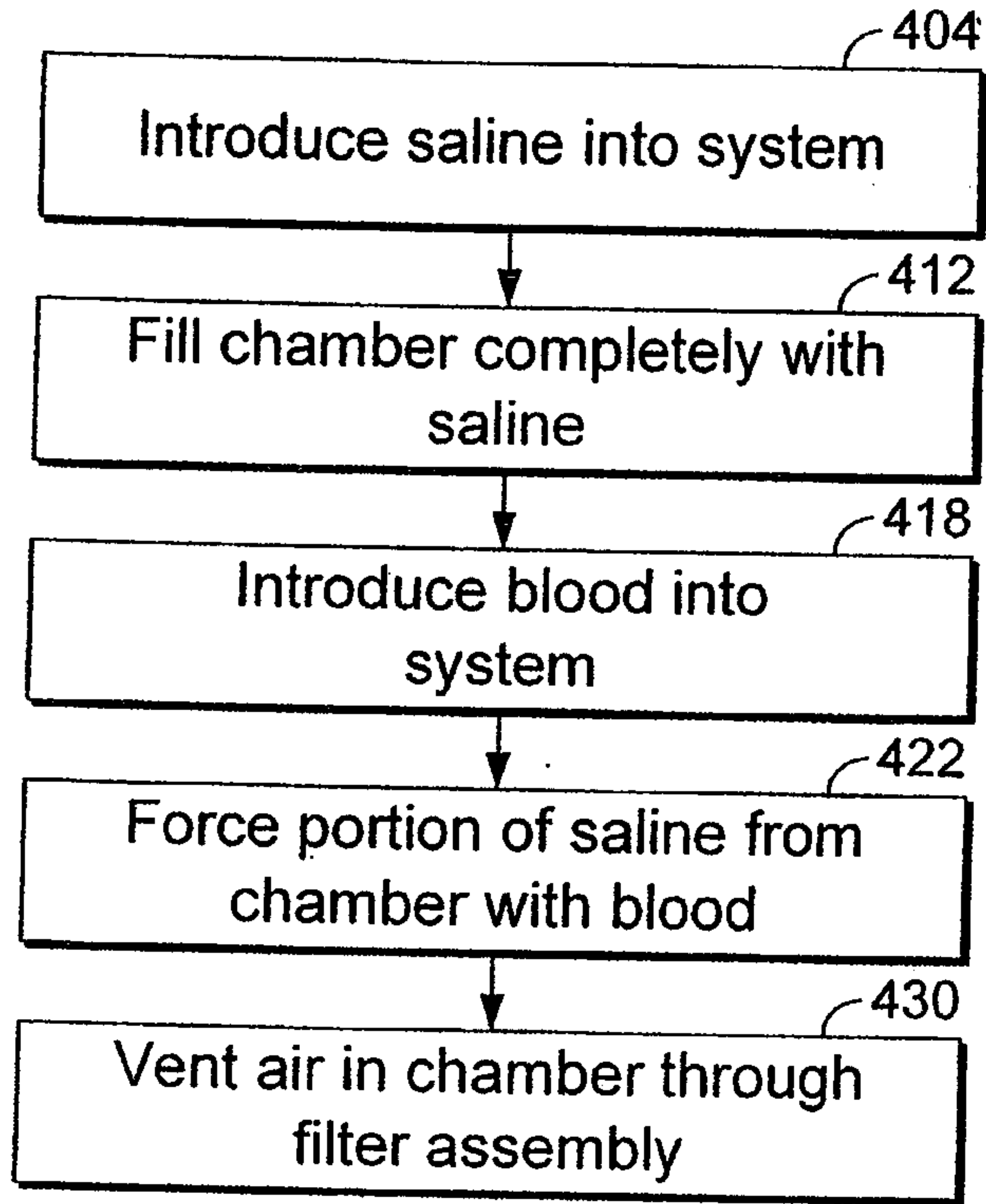


FIG. 22

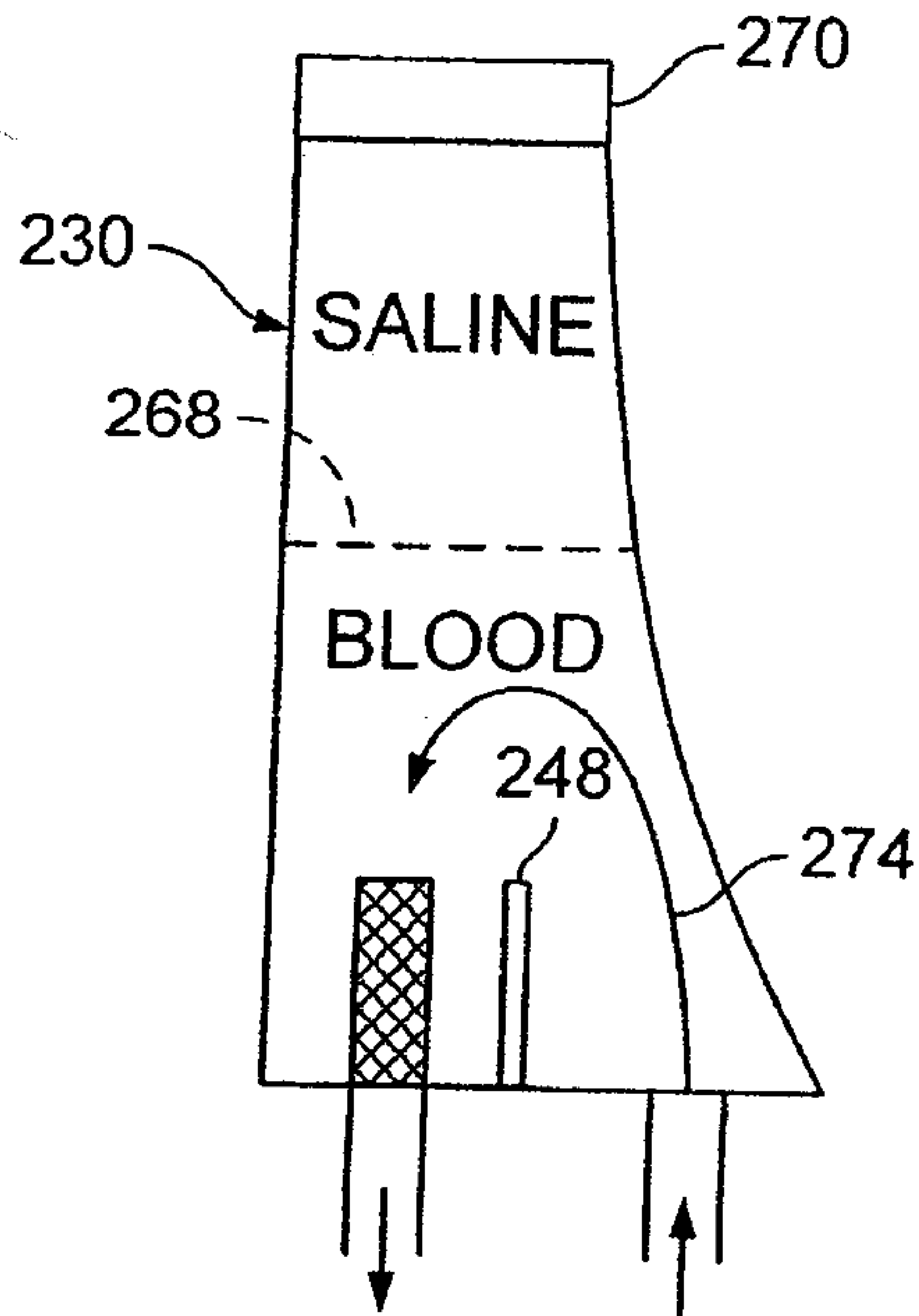


FIG. 23

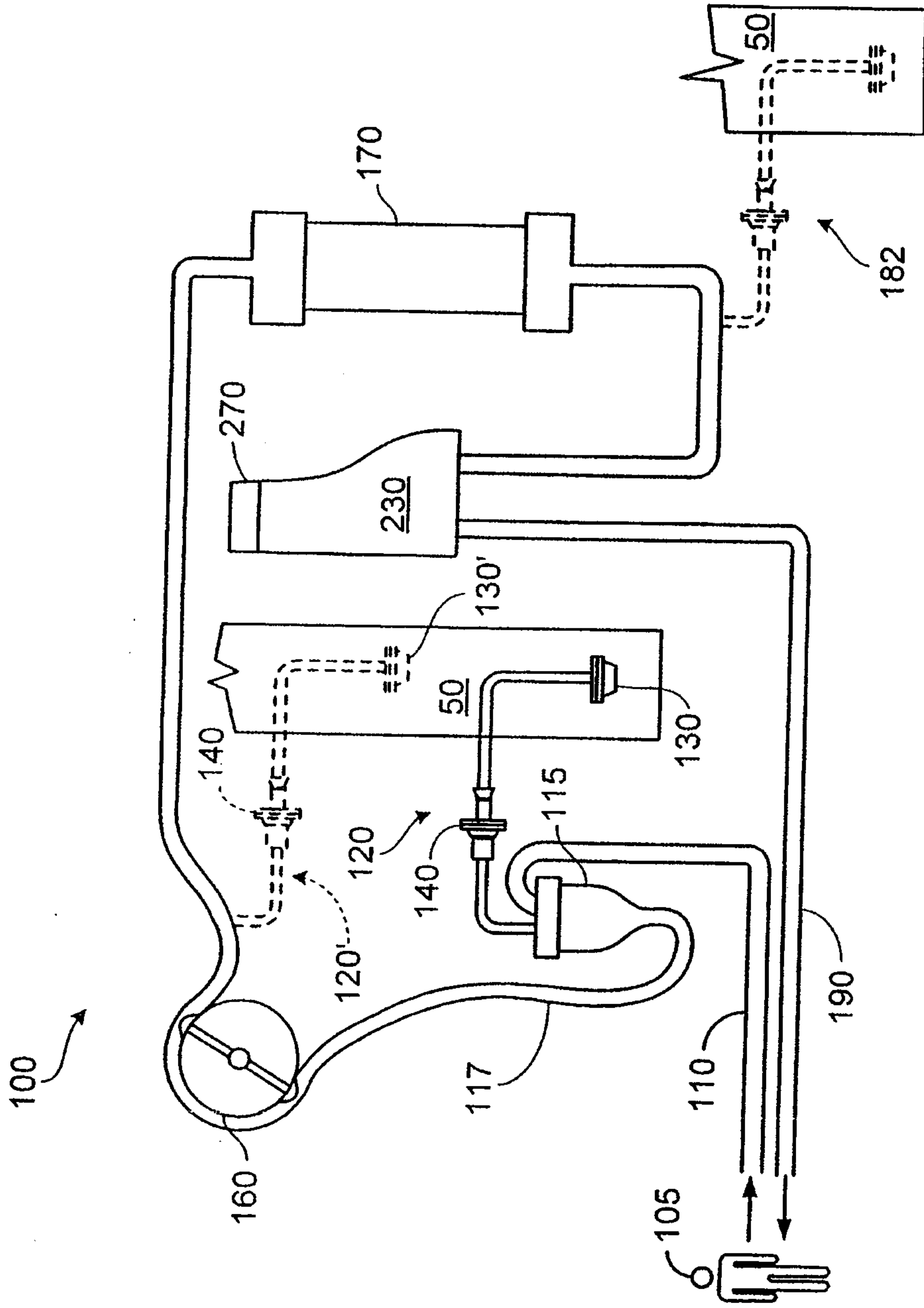


FIG. 24

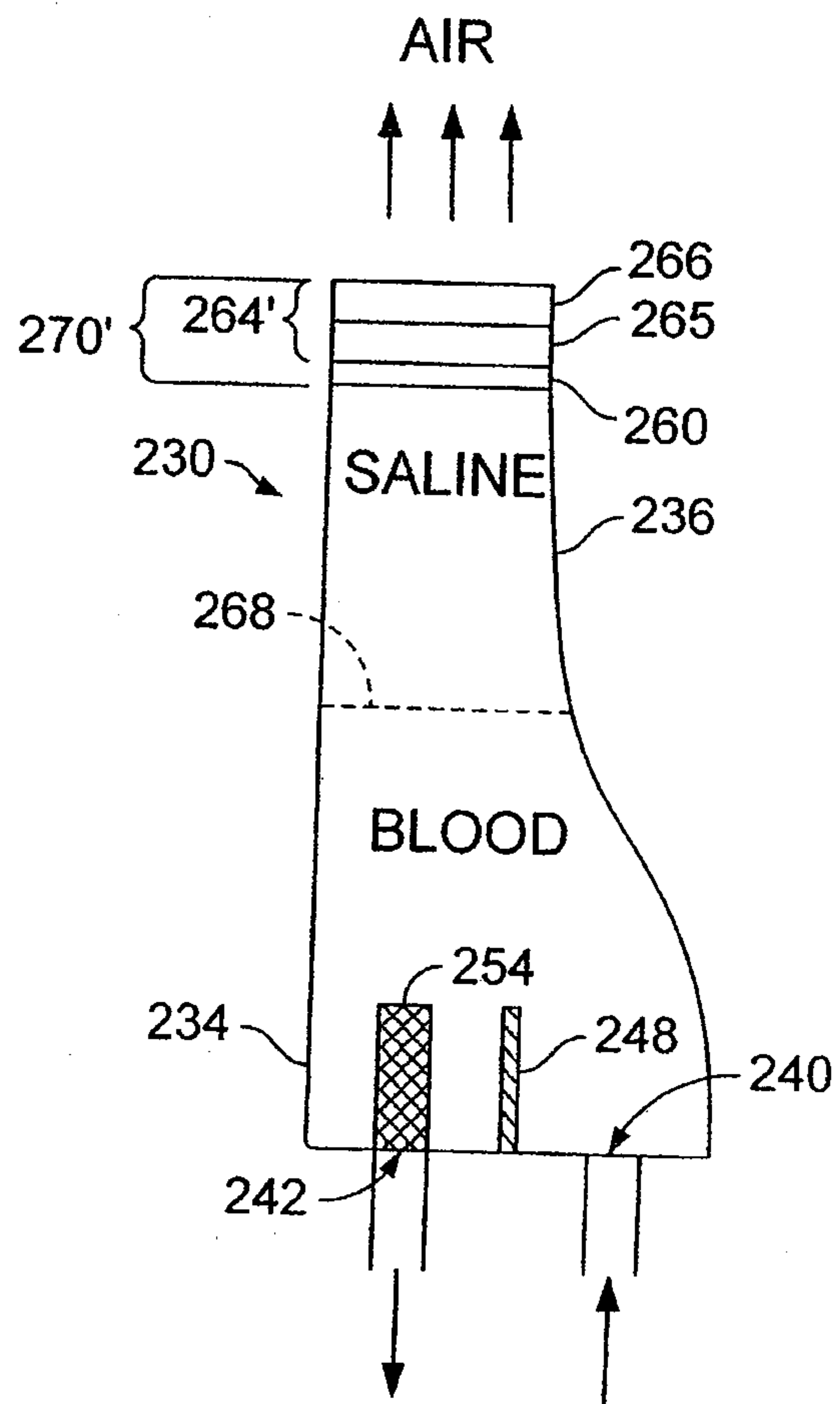


FIG. 25

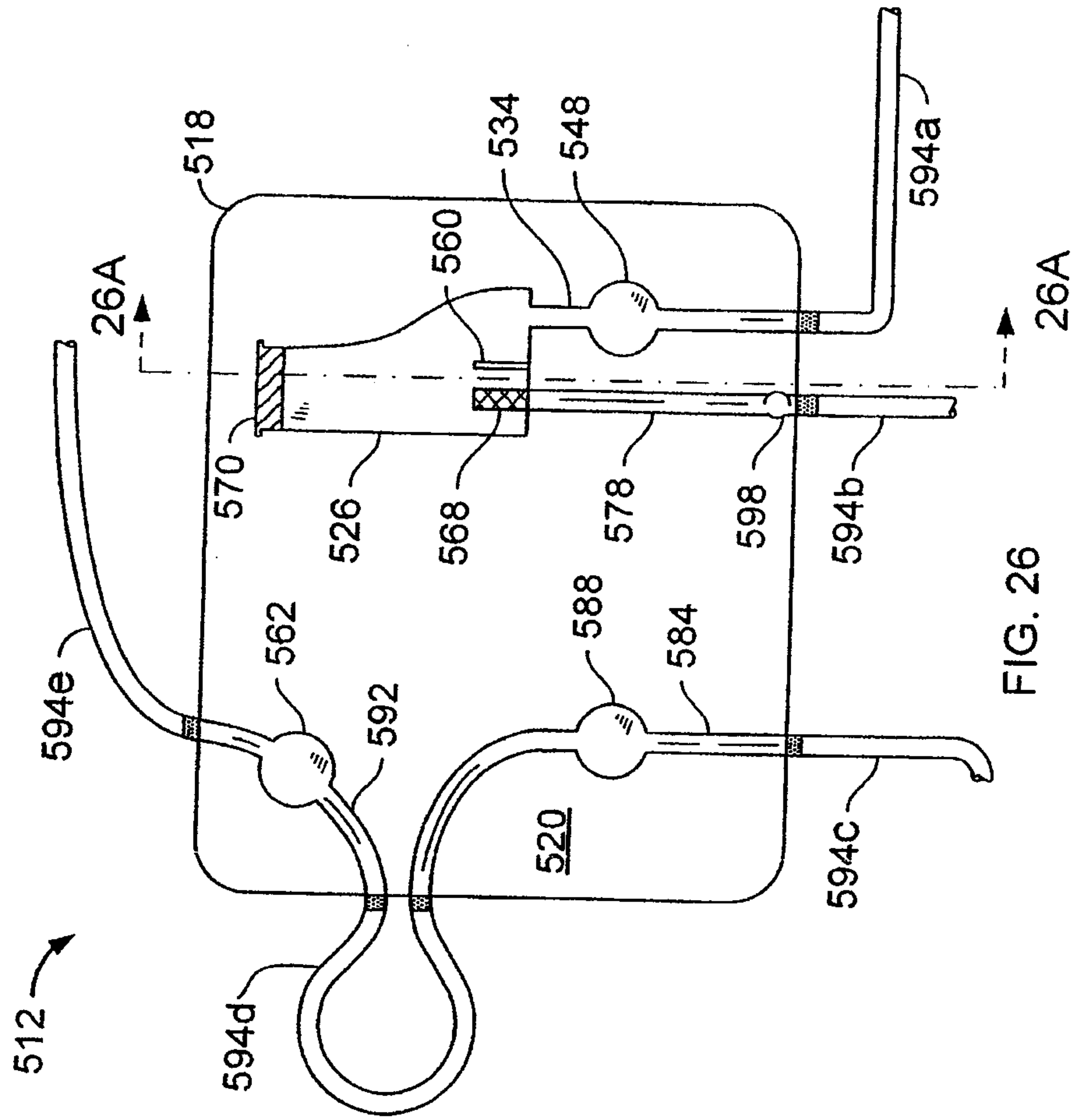


FIG. 26

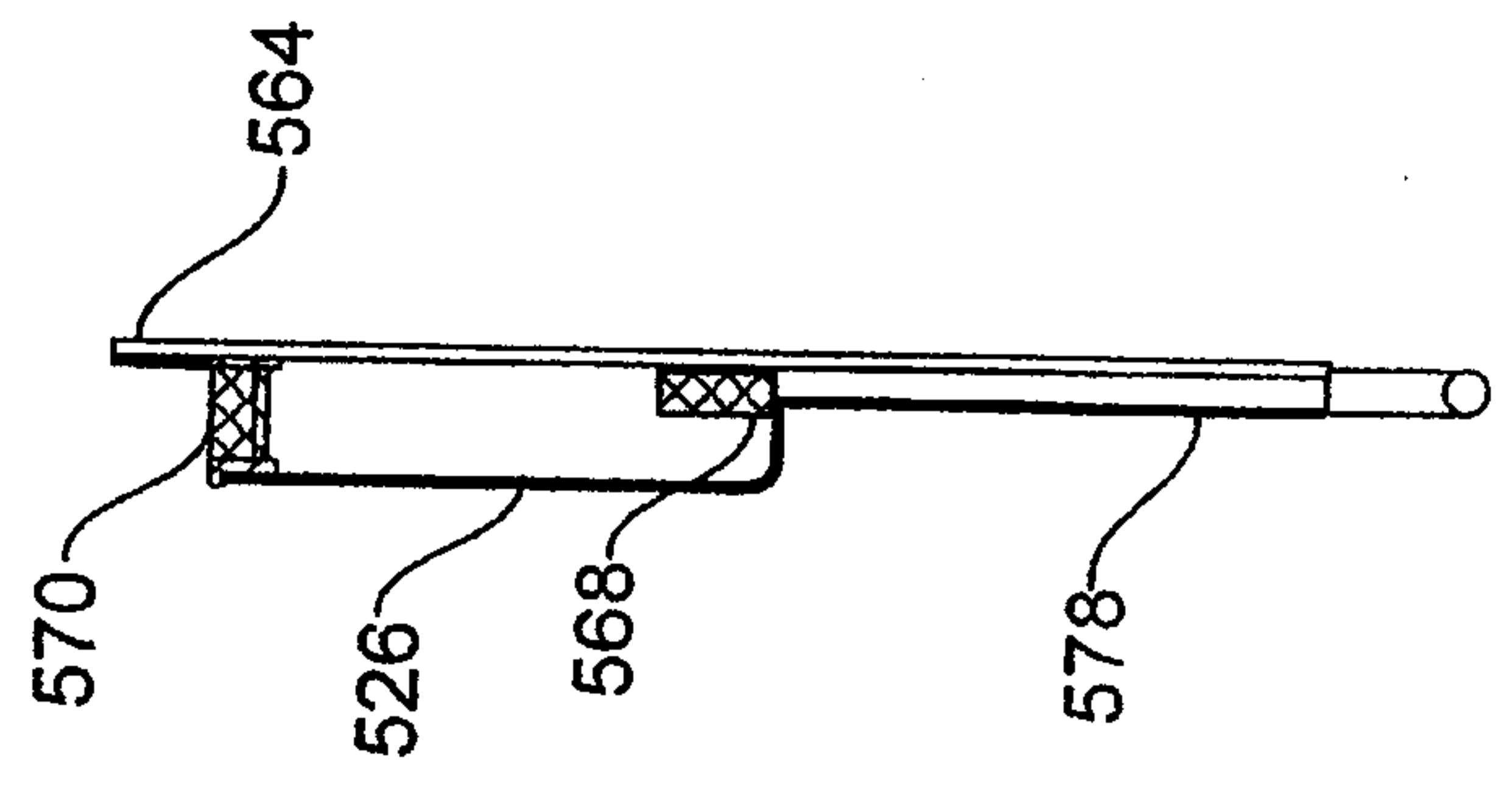


FIG. 26A

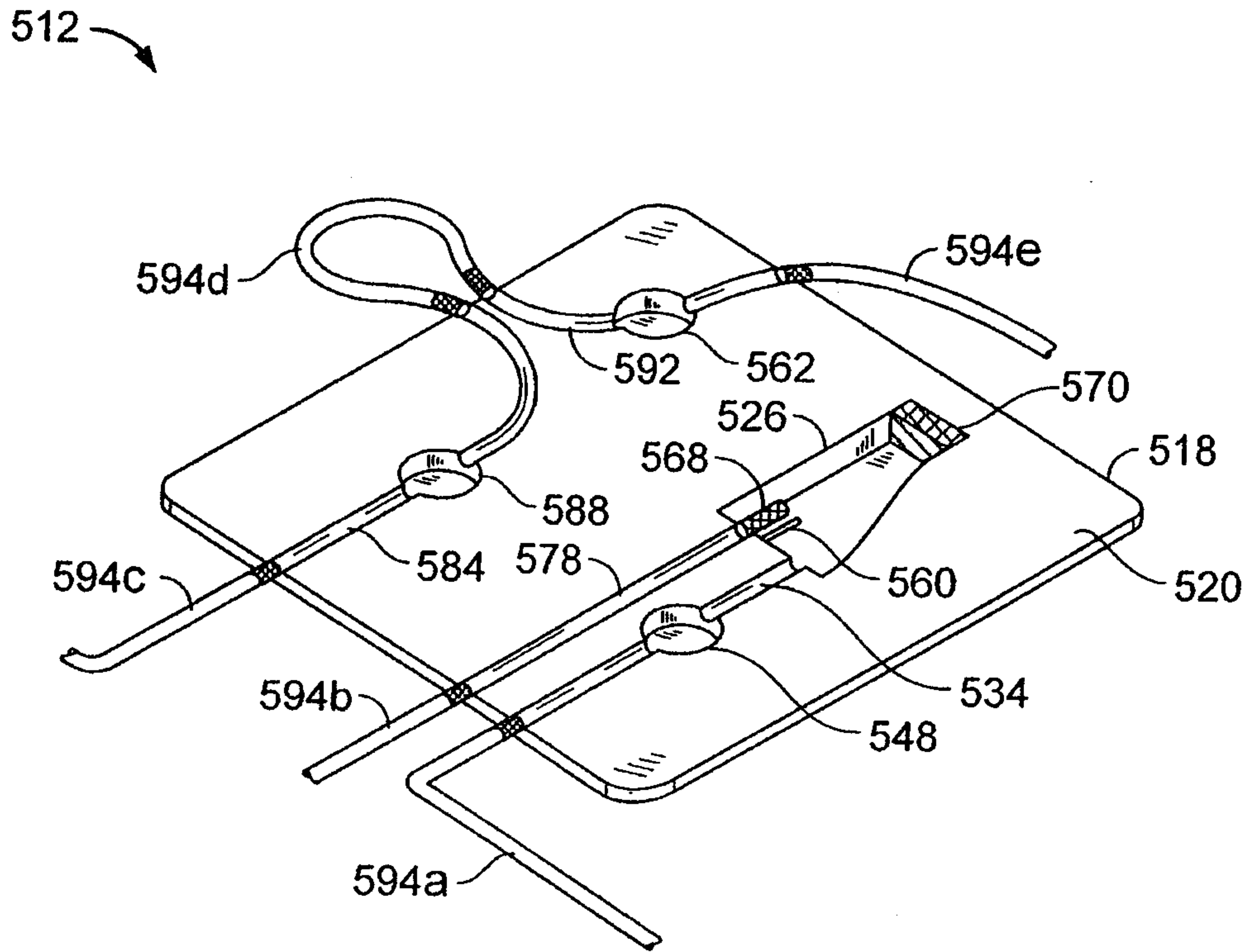


FIG. 27

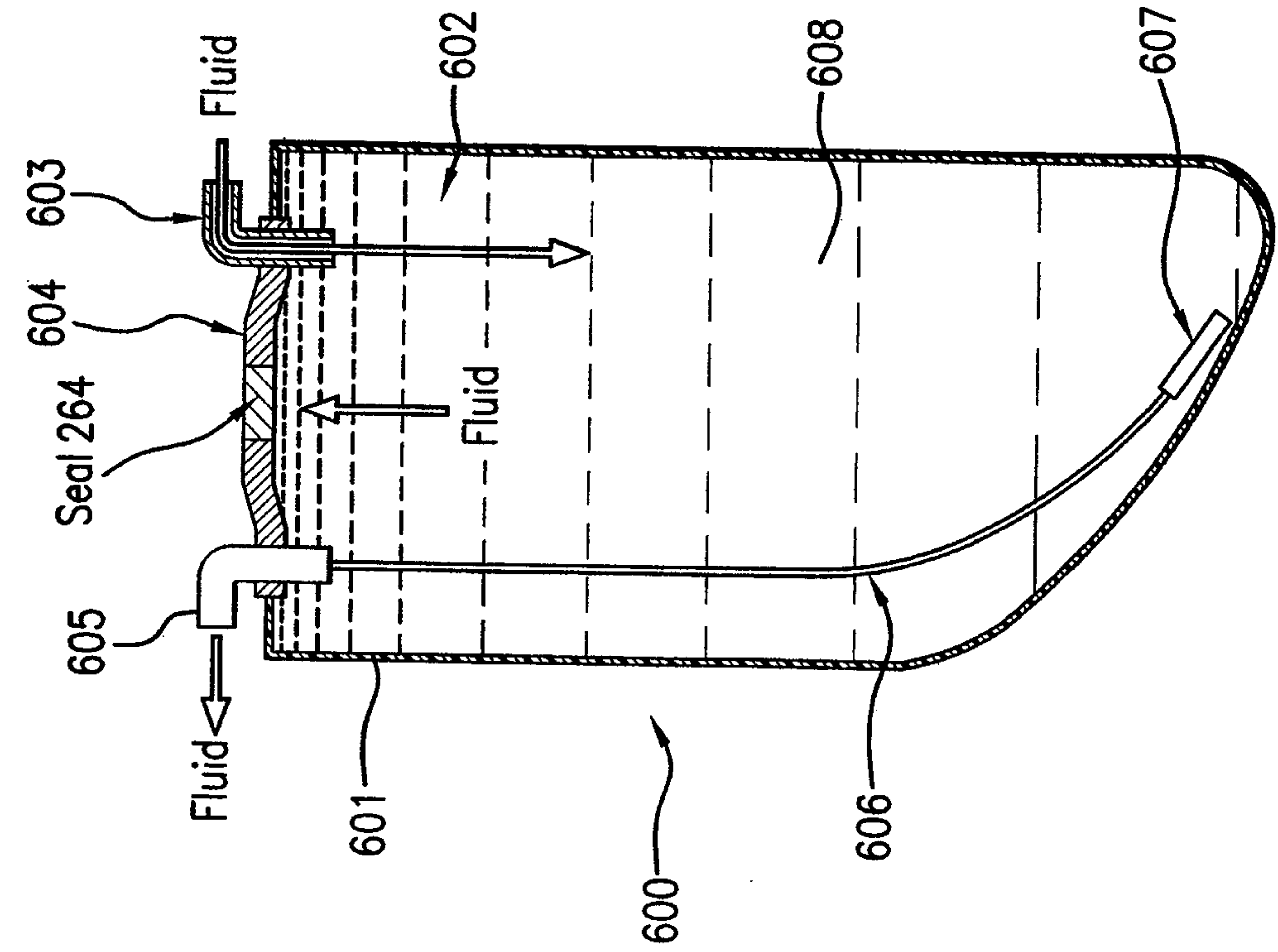


FIG. 28B

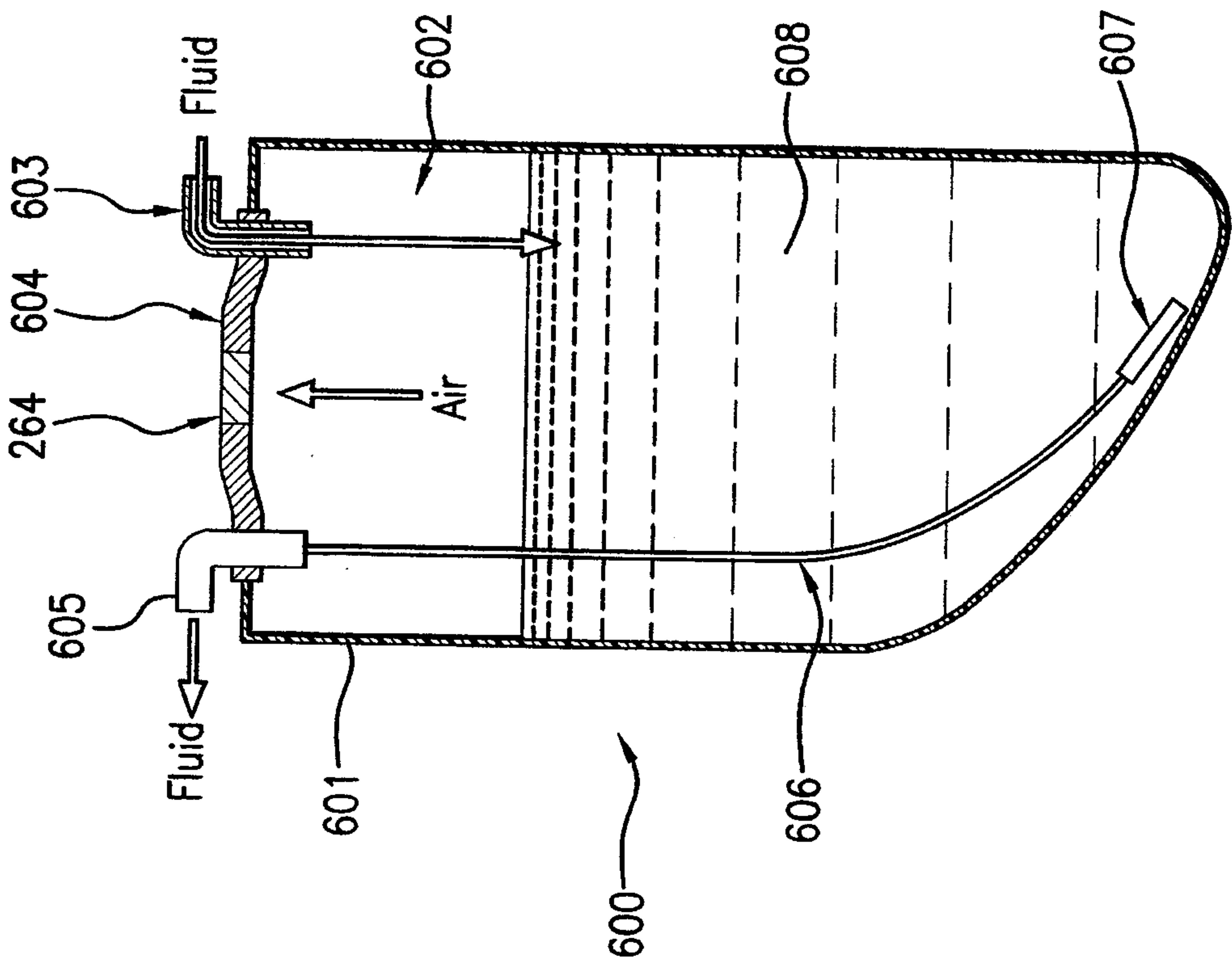


FIG. 28A

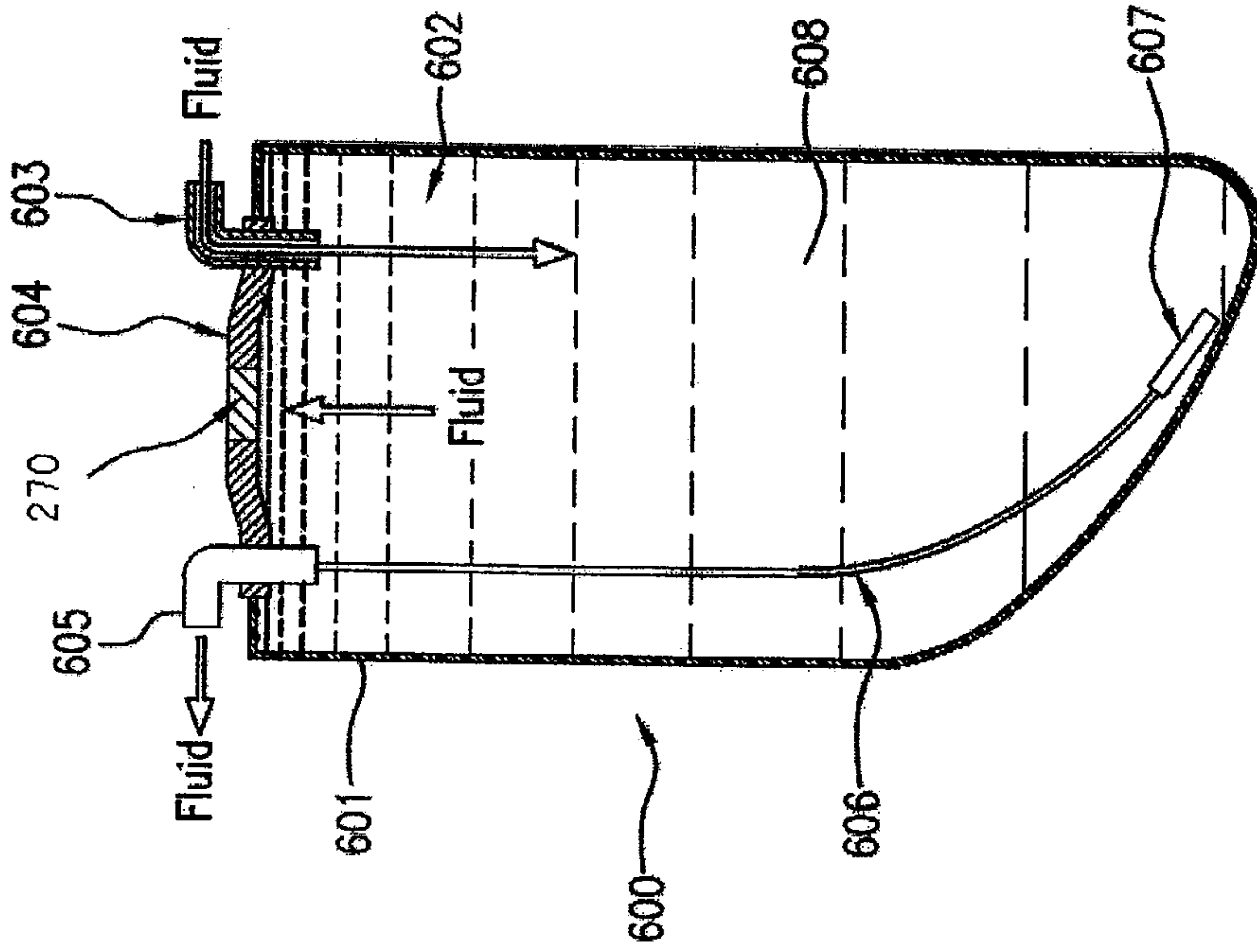


FIG. 29B

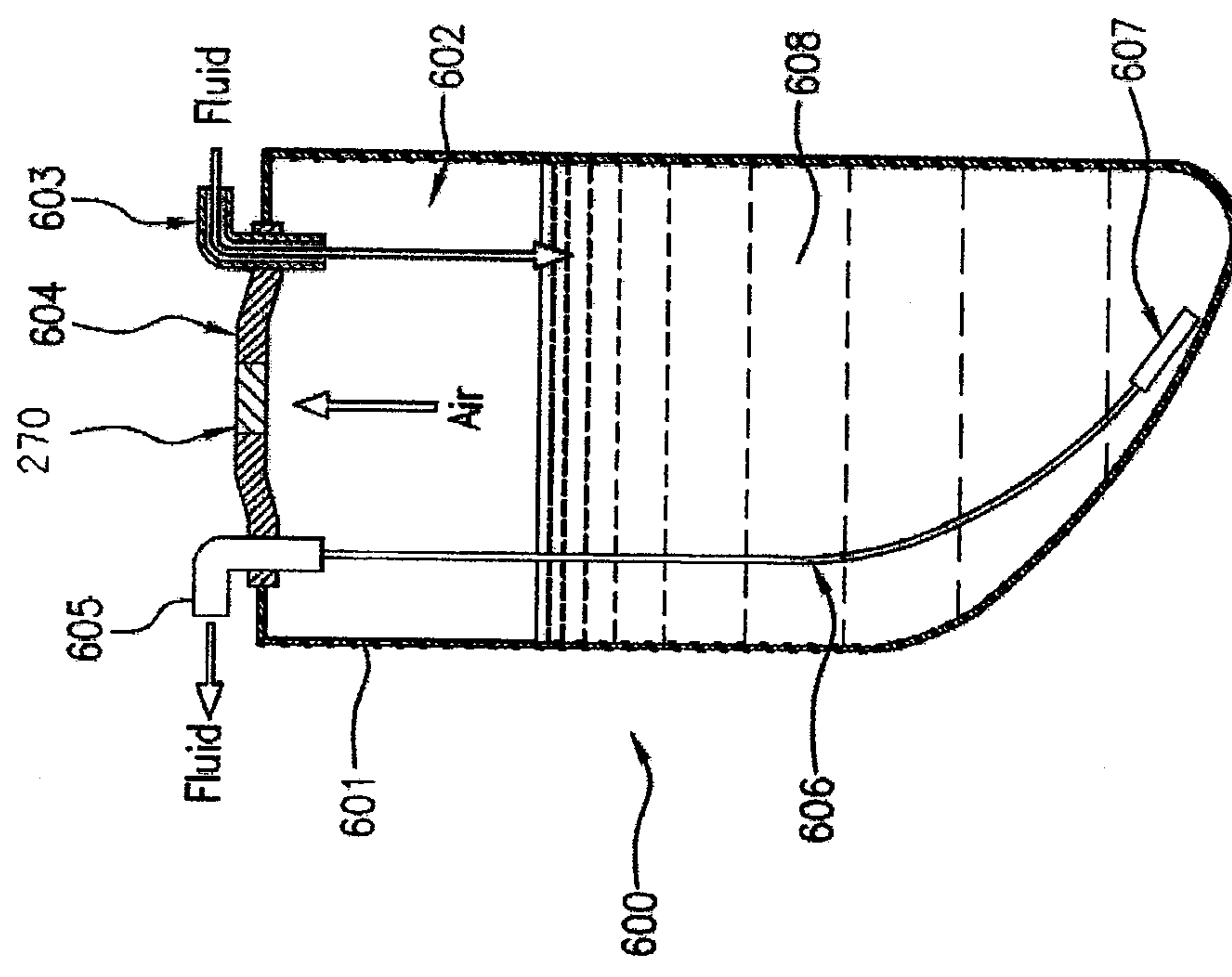


FIG. 29A

