

12 **EUROPEAN PATENT APPLICATION**

21 Application number: **87850343.2**

51 Int. Cl.4: **E06B 9/266**

22 Date of filing: **10.11.87**

30 Priority: **18.11.86 SE 8604919**

43 Date of publication of application:  
**25.05.88 Bulletin 88/21**

64 Designated Contracting States:  
**DE FR GB IT NL**

68 Date of deferred publication of the search report:  
**26.04.89 Bulletin 89/17**

71 Applicant: **Smederöd, Sten Axel Magnus**  
**Kyrkebacken 4**  
**S-415 06 Göteborg(SE)**

72 Inventor: **Smederöd, Sten Axel Magnus**  
**Kyrkebacken 4**  
**S-415 06 Göteborg(SE)**

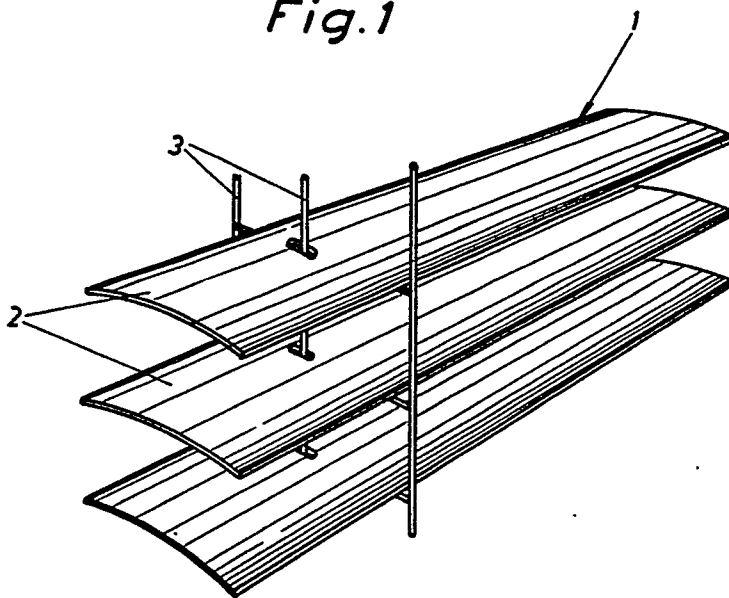
74 Representative: **Ryrlén, Evert et al**  
**ALFONS HEDBERGS PATENTBYRÄ AB**  
**Aschebergsgatan 35**  
**S-411 33 Göteborg(SE)**

54 **Synthetic resin strip for the manufacture of profiled venetian blind slats and a method of manufacturing said strip.**

57 A synthetic resin strip intended for use in the manufacture of profiled Venetian blind slats (2). The strip is formed with grooves (4) on its inner face in the areas thereof where, after the final treatment of the strip said inner strip face is to exhibit a bend.

The grooves (4) are produced either directly in the extrusion process proper or they are cut out in the strip material after the extrusion.

*Fig.1*



**EP 0 268 573 A3**



DOCUMENTS CONSIDERED TO BE RELEVANT			
Category	Citation of document with indication, where appropriate, of relevant passages	Relevant to claim	CLASSIFICATION OF THE APPLICATION (Int. Cl.4)
A	US-A-3 006 031 (J.L. FRIEDMAN) * complete document * ---	1,2	E 06 B 9/266
A	US-A-4 615 087 (A-SHEN CHANG) * complete document * ---	1,2	
A	DE-A-1 659 439 (ATLANTIC BAU-KUNSTSTOFF GMBH) * complete document * -----	1,2	
			TECHNICAL FIELDS SEARCHED (Int. Cl.4)
			E 06 B 9/00
The present search report has been drawn up for all claims			
Place of search BERLIN		Date of completion of the search 14-12-1988	Examiner KRABEL A.W.G.
<p><b>CATEGORY OF CITED DOCUMENTS</b></p> <p>X : particularly relevant if taken alone  Y : particularly relevant if combined with another document of the same category  A : technological background  O : non-written disclosure  P : intermediate document</p> <p>T : theory or principle underlying the invention  E : earlier patent document, but published on, or after the filing date  D : document cited in the application  L : document cited for other reasons  .....  &amp; : member of the same patent family, corresponding document</p>			