



US011950584B1

(12) **United States Patent**
Hill et al.

(10) **Patent No.:** **US 11,950,584 B1**
(45) **Date of Patent:** **Apr. 9, 2024**

(54) **FISHING ROD HOLDERS AND FISHING RODS INCLUDING THE SAME**

(71) Applicants: **Matthew Scott Hill**, Crestline, CA (US); **Roy Charles Hill**, Coffman Cove, AK (US)

(72) Inventors: **Matthew Scott Hill**, Crestline, CA (US); **Roy Charles Hill**, Coffman Cove, AK (US)

(*) Notice: Subject to any disclaimer, the term of this patent is extended or adjusted under 35 U.S.C. 154(b) by 0 days.

| | | | | |
|---------------|---------|-----------|-------|-------------|
| 1,092,548 A * | 4/1914 | Weber | | A01K 97/10 |
| | | | | 248/688 |
| 1,577,612 A * | 3/1926 | Dees | | A01K 97/10 |
| | | | | 248/165 |
| 1,972,518 A * | 9/1934 | Grandjean | | A01K 87/025 |
| | | | | 43/18.1 CT |
| 2,241,183 A * | 5/1941 | Ceder | | A01K 97/10 |
| | | | | 43/23 |
| 2,360,402 A * | 10/1944 | Determan | | A01K 97/10 |
| | | | | 43/25 |
| 2,431,972 A * | 12/1947 | Treadway | | A01K 87/08 |
| | | | | 43/22 |
| 2,466,166 A | 4/1949 | Fischer | | |
| 2,546,079 A * | 3/1951 | Seviola | | A01K 97/01 |
| | | | | 43/18.1 CT |
| 2,612,334 A * | 9/1952 | Delamere | | A01K 97/10 |
| | | | | 43/21.2 |

(21) Appl. No.: **18/460,543**

(Continued)

(22) Filed: **Sep. 2, 2023**

FOREIGN PATENT DOCUMENTS

(51) **Int. Cl.**
A01K 97/10 (2006.01)
A01K 87/00 (2006.01)
A01K 87/08 (2006.01)

GB 2581978 A * 9/2020 A01K 97/10
JP 2006197858 A * 8/2006

(Continued)

(52) **U.S. Cl.**
CPC **A01K 97/10** (2013.01); **A01K 87/007** (2013.01); **A01K 87/08** (2013.01)

Primary Examiner — Darren W Ark
(74) *Attorney, Agent, or Firm* — Hoofe IP Law PC

(58) **Field of Classification Search**
CPC A01K 97/10; A01K 87/007; A01K 87/08; A01K 87/008
USPC 43/21.2, 23; 248/511, 530, 532, 533
See application file for complete search history.

(57) **ABSTRACT**

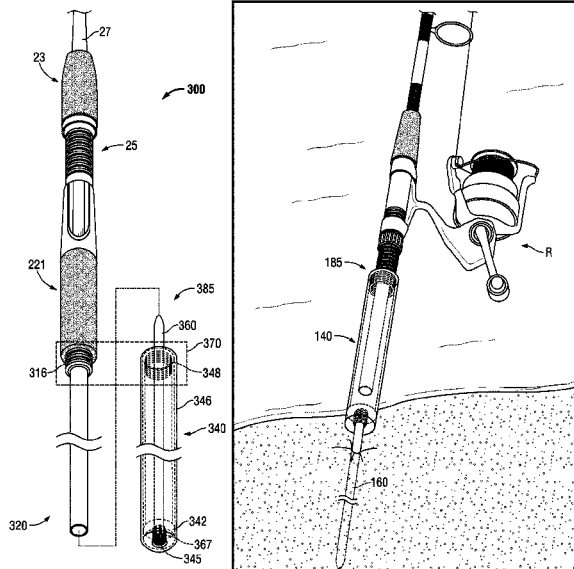
A fishing rod holder includes a tubular member capable of removably holding a fishing rod thereon. The tubular member includes a first annular wall enclosing a longitudinally extending first cavity portion and a second annular wall enclosing a longitudinally extending second cavity portion. The second annular wall includes an internally-threaded end portion at one end. The fishing rod holder also includes a spike detachably affixable to the tubular member. The spike has a stored configuration and a deployed configuration. At least a portion of the spike is disposed in the second cavity portion when in the stored configuration.

(56) **References Cited**

U.S. PATENT DOCUMENTS

| | | | | |
|---------------|---------|---------|-------|-----------|
| 122,218 A * | 12/1871 | Bogert | | A45B 3/00 |
| | | | | 473/46 |
| 849,481 A * | 4/1907 | Lobit | | A45B 3/00 |
| | | | | 43/18.1 R |
| 1,020,044 A * | 3/1912 | Mcguire | | A45B 3/16 |
| | | | | 135/65 |

15 Claims, 11 Drawing Sheets



(56)

References Cited

U.S. PATENT DOCUMENTS

2,628,445 A * 2/1953 Lawrenz A01K 87/00
43/21.2
2,665,866 A * 1/1954 Goldinger A01K 97/10
248/156
2,681,779 A * 6/1954 Veschio A01K 97/10
248/533
3,033,502 A * 5/1962 Silver A01K 97/10
248/538
3,073,055 A * 1/1963 Edwards A01K 87/08
43/23
3,150,460 A * 9/1964 Dees A01K 97/00
43/18.1 R
3,339,869 A 9/1967 Andersen
3,443,335 A 5/1969 Guydos
3,898,756 A * 8/1975 Tolle A01M 17/00
D22/148
3,903,633 A * 9/1975 Hutcherson A01K 97/10
43/17
3,924,345 A * 12/1975 Sapp A01K 97/10
248/156
4,048,743 A * 9/1977 Lapinski A01K 97/125
43/18.1 R
4,077,148 A 3/1978 Carey
4,083,141 A 4/1978 Shedd
4,131,122 A * 12/1978 Brooks A45B 9/02
135/79
4,257,181 A 3/1981 Cooper
4,261,128 A * 4/1981 Dobbins A01K 97/10
248/514
4,403,439 A 9/1983 Wallace
4,407,089 A 10/1983 Miller
4,443,963 A * 4/1984 Braaten A01K 97/10
43/21.2
4,471,553 A 9/1984 Copeland
4,577,432 A 3/1986 Brackett
4,650,146 A 3/1987 Duke
4,658,534 A * 4/1987 McLean A01K 97/10
43/21.2
4,748,762 A * 6/1988 Campbell A01K 97/10
248/533
4,869,011 A * 9/1989 Whiting A01K 87/08
43/23
4,972,621 A * 11/1990 Tucker A01K 97/10
43/21.2
5,444,934 A * 8/1995 LaTouche A01K 87/00
43/18.1 CT
5,639,057 A * 6/1997 Yeomans A01K 97/10
248/530
5,724,763 A 3/1998 Rasmussen
5,956,883 A 9/1999 Krouth
6,115,955 A * 9/2000 Sledge A01K 87/08
43/23
6,126,696 A * 10/2000 Casto A01K 87/08
623/65

6,216,998 B1 * 4/2001 Butrymowicz A01K 97/10
248/530
6,318,017 B1 * 11/2001 Genardo A01K 97/10
43/21.2
6,318,018 B1 * 11/2001 Weaver A01K 97/10
43/21.2
6,341,756 B1 * 1/2002 Morris A01K 97/10
248/533
6,571,507 B2 6/2003 Elford
7,059,740 B2 * 6/2006 Opolka F21V 21/0824
362/153.1
7,210,264 B1 * 5/2007 Demetris A01K 97/24
43/25
7,568,306 B1 * 8/2009 Rice, Sr. A01K 97/10
248/530
8,146,287 B2 * 4/2012 Brooks A01K 87/08
248/530
8,156,681 B2 4/2012 Carnevali
8,783,748 B1 7/2014 Quinn
9,480,244 B2 11/2016 Cooper
D892,261 S 8/2020 Brooks
D897,488 S 9/2020 Brooks
11,445,713 B2 9/2022 Truitt
2004/0118031 A1 6/2004 Nielson
2006/0101705 A1 * 5/2006 Sanders A01K 97/10
43/25
2009/0119969 A1 * 5/2009 Cavanaugh A01K 97/10
43/21.2
2010/0050495 A1 * 3/2010 Brooks A01K 87/007
43/4.5
2010/0200724 A1 * 8/2010 Kukuk A45B 25/00
248/530
2011/0113673 A1 * 5/2011 Huang A01K 87/08
43/23
2011/0154714 A1 6/2011 Rieck
2011/0302820 A1 * 12/2011 Gouthro A01K 97/10
43/17
2012/0017487 A1 * 1/2012 O'Keefe A01K 97/10
43/21.2
2013/0000178 A1 * 1/2013 Neeley A01K 87/02
43/22
2014/0137459 A1 * 5/2014 Mora A01K 97/10
43/17
2014/0317990 A1 10/2014 Spiegel
2015/0040462 A1 2/2015 Tjeerdsma
2023/0015639 A1 1/2023 Truitt

FOREIGN PATENT DOCUMENTS

JP 2016198030 A * 12/2016
JP 6169470 B2 * 7/2017
KR 100691733 B1 * 3/2007
KR 200441837 Y1 * 9/2008
KR 100994290 B1 * 11/2010
KR 101119663 B1 * 3/2012
KR 20130002337 U * 4/2013
KR 20150054325 A * 5/2015

* cited by examiner

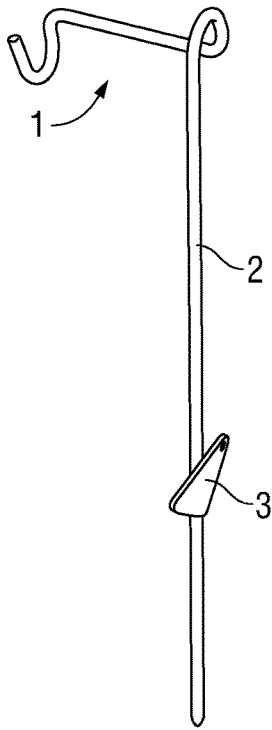


FIG. 1A
(Prior Art)

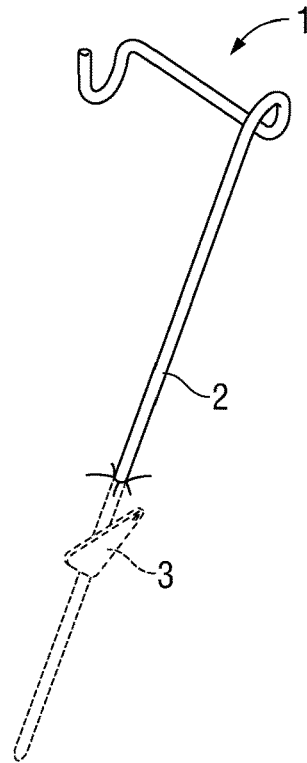


FIG. 1B
(Prior Art)

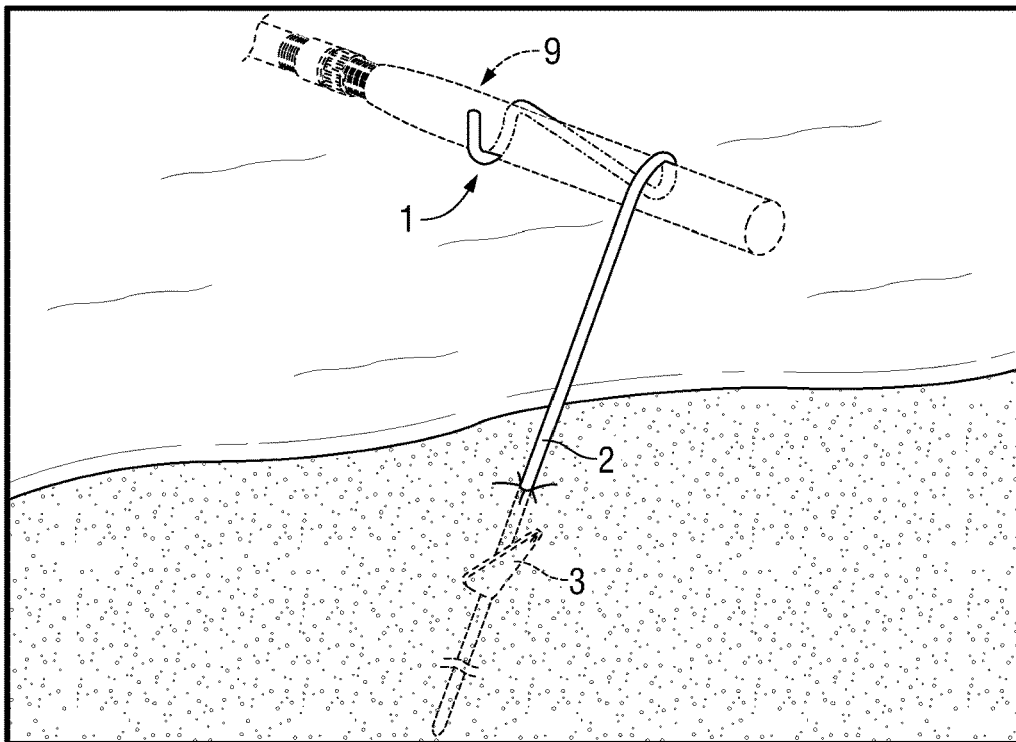


FIG. 1C
(Prior Art)

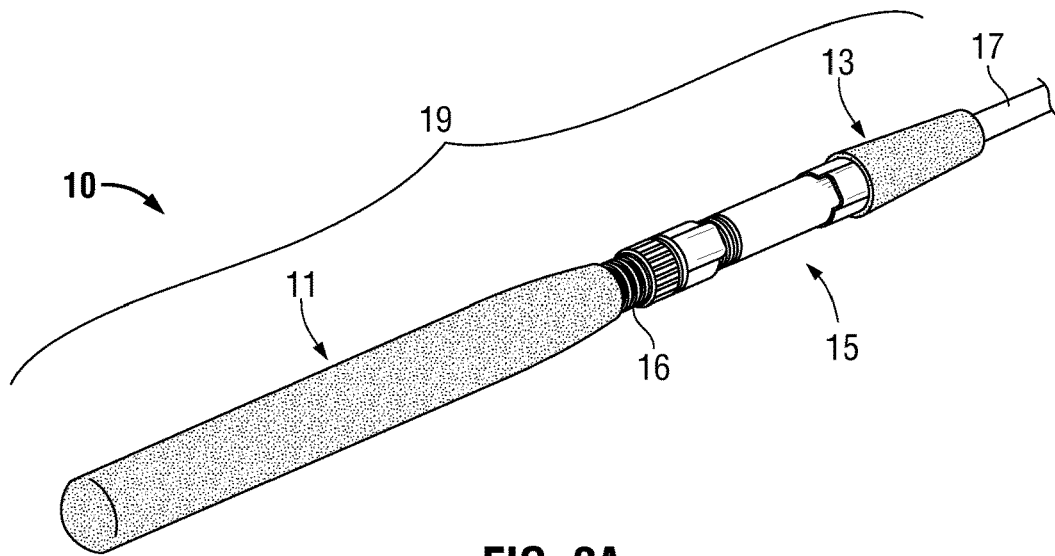


FIG. 2A

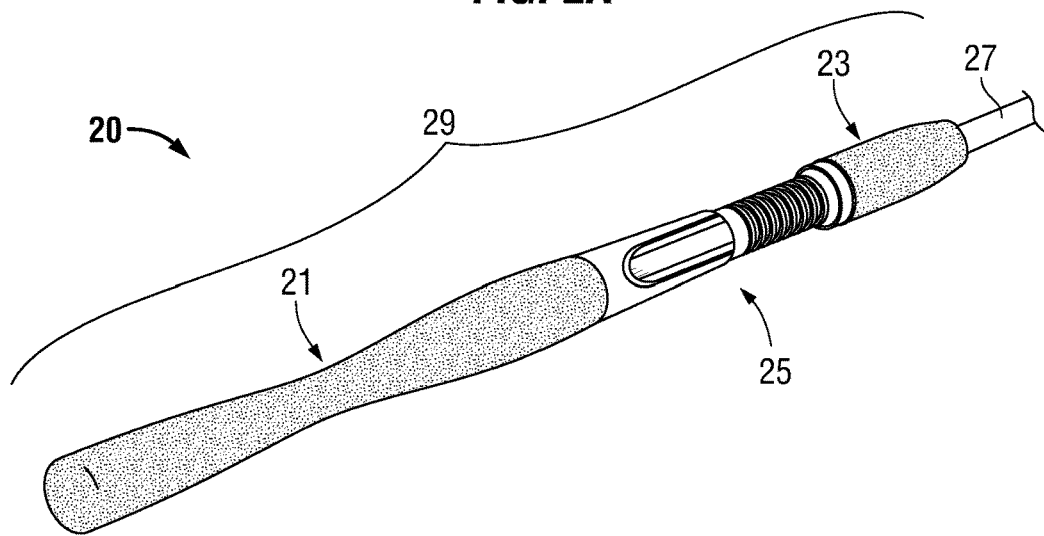


FIG. 2B

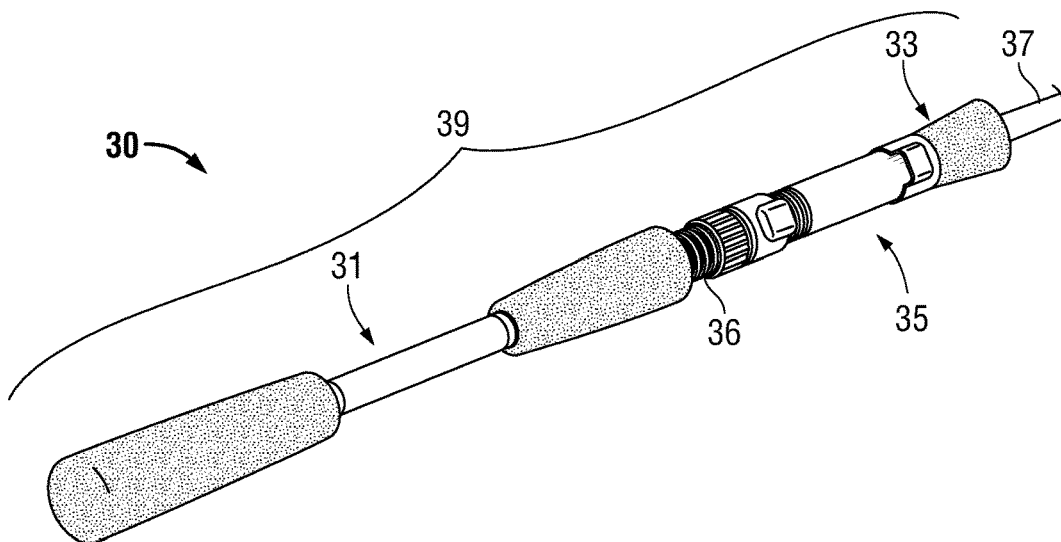


FIG. 2C

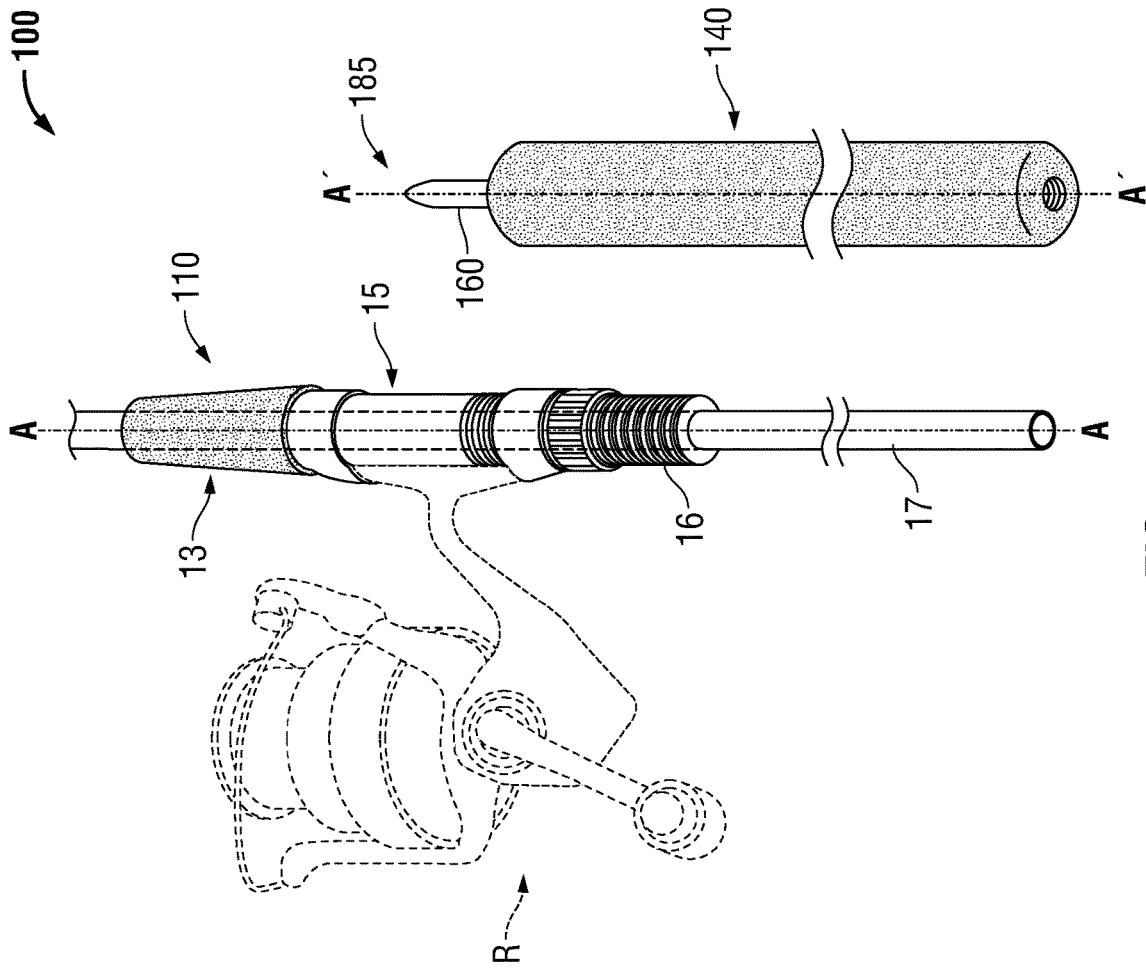


FIG. 4

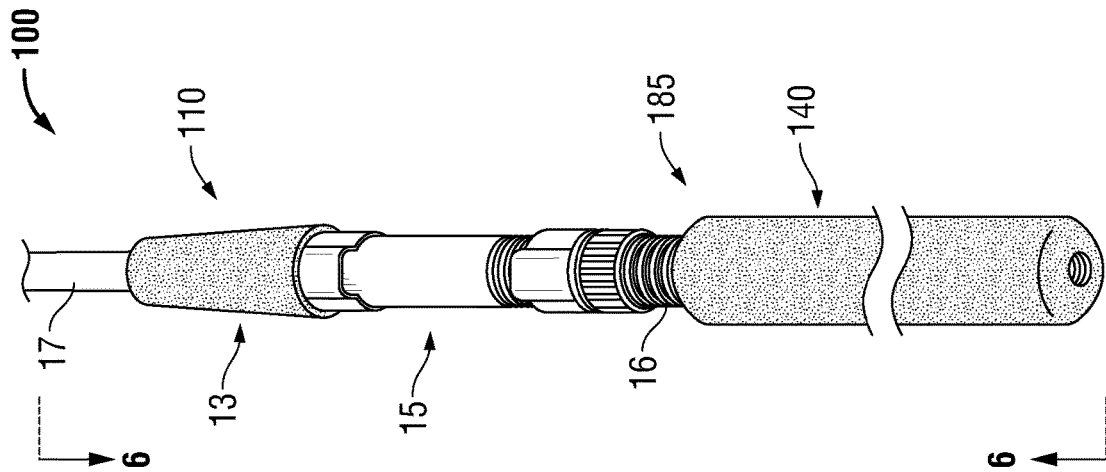


FIG. 3

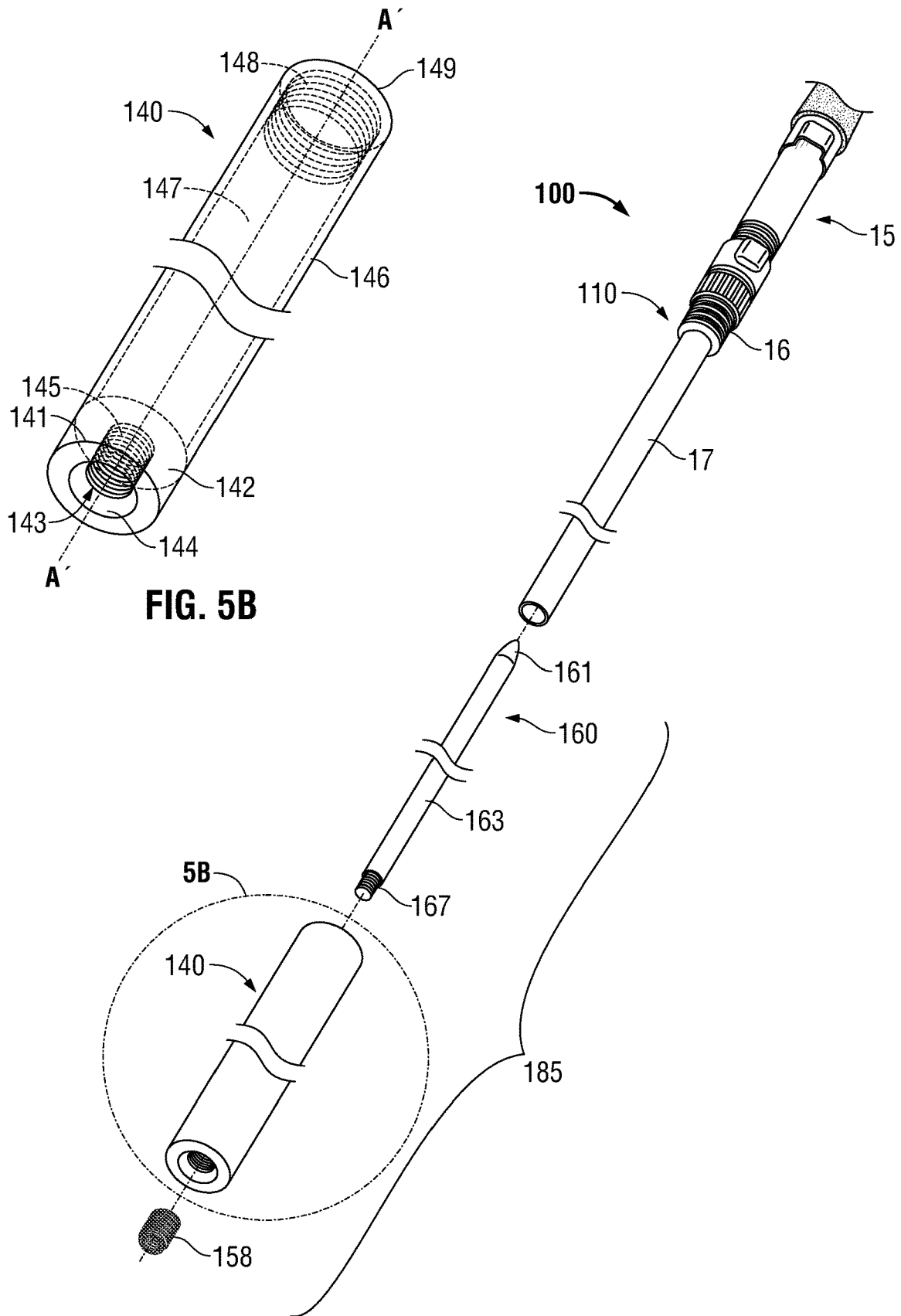


FIG. 5B

FIG. 5A

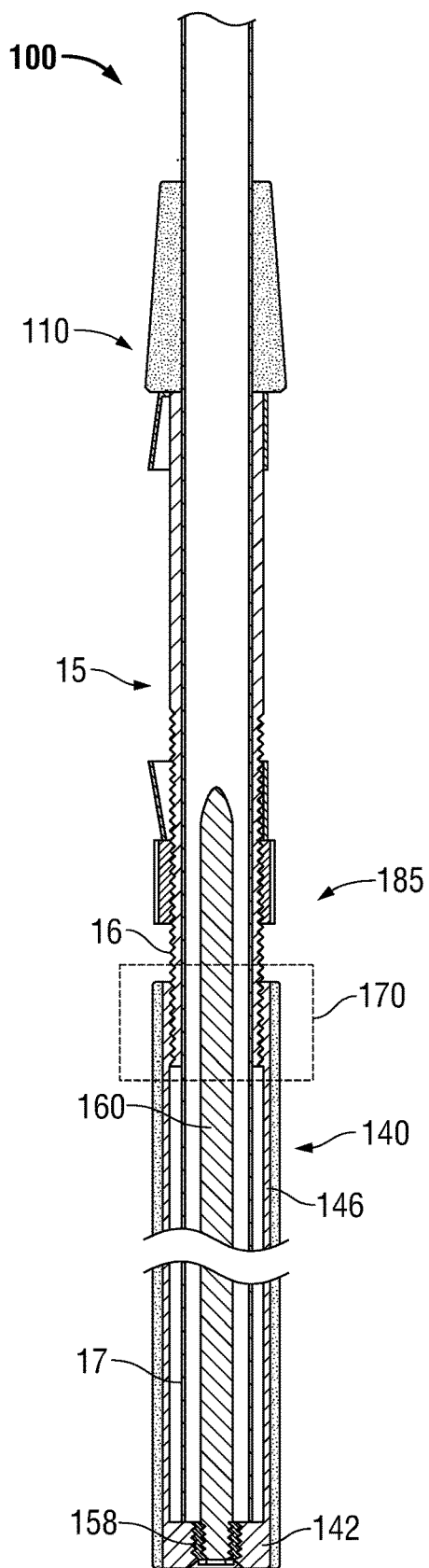


FIG. 6

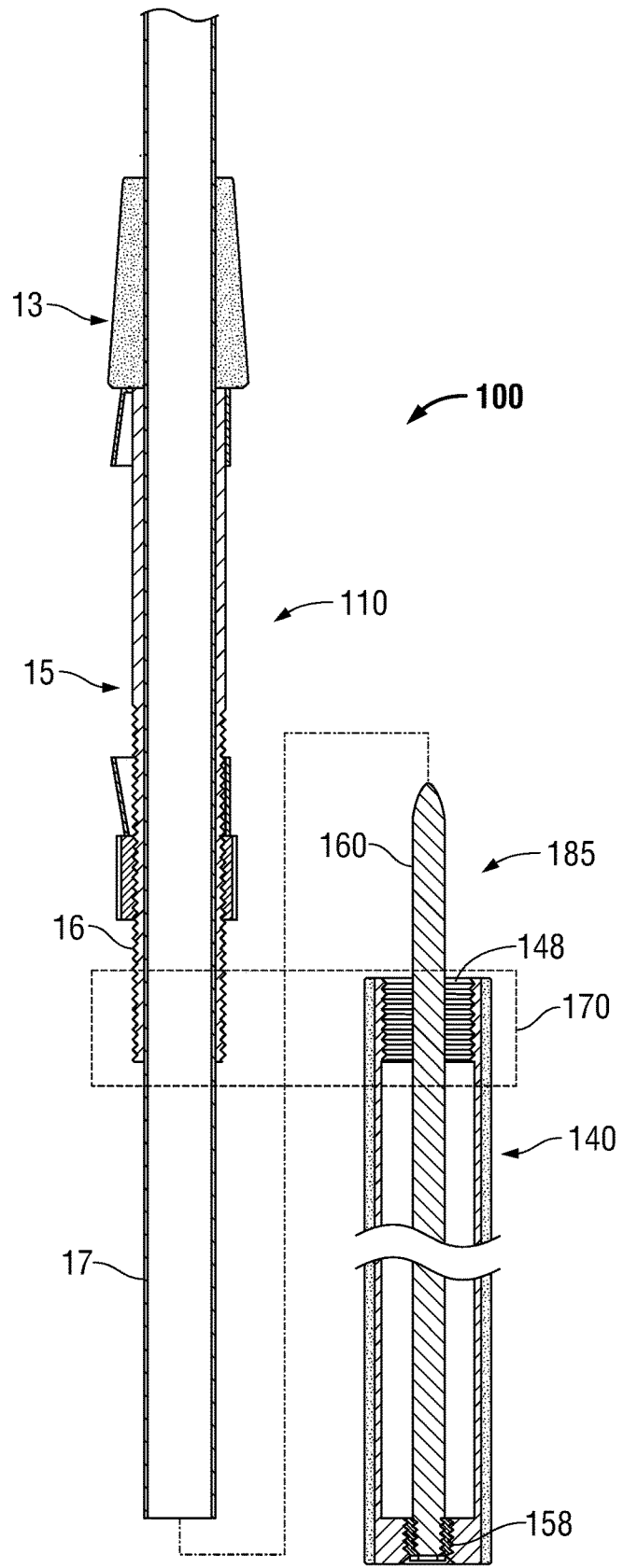


FIG. 7

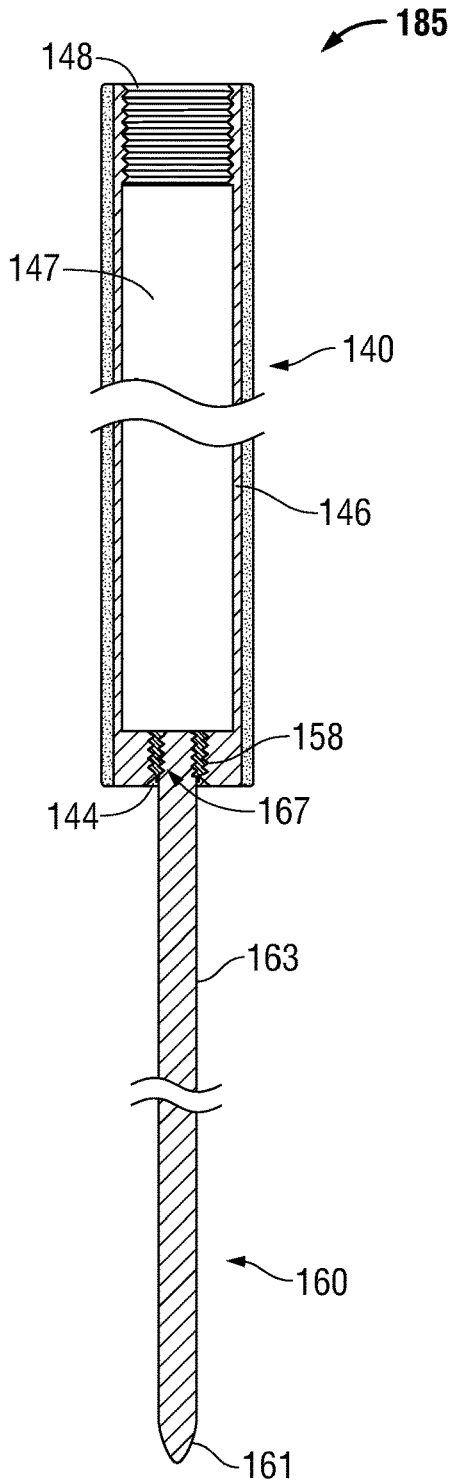


FIG. 8

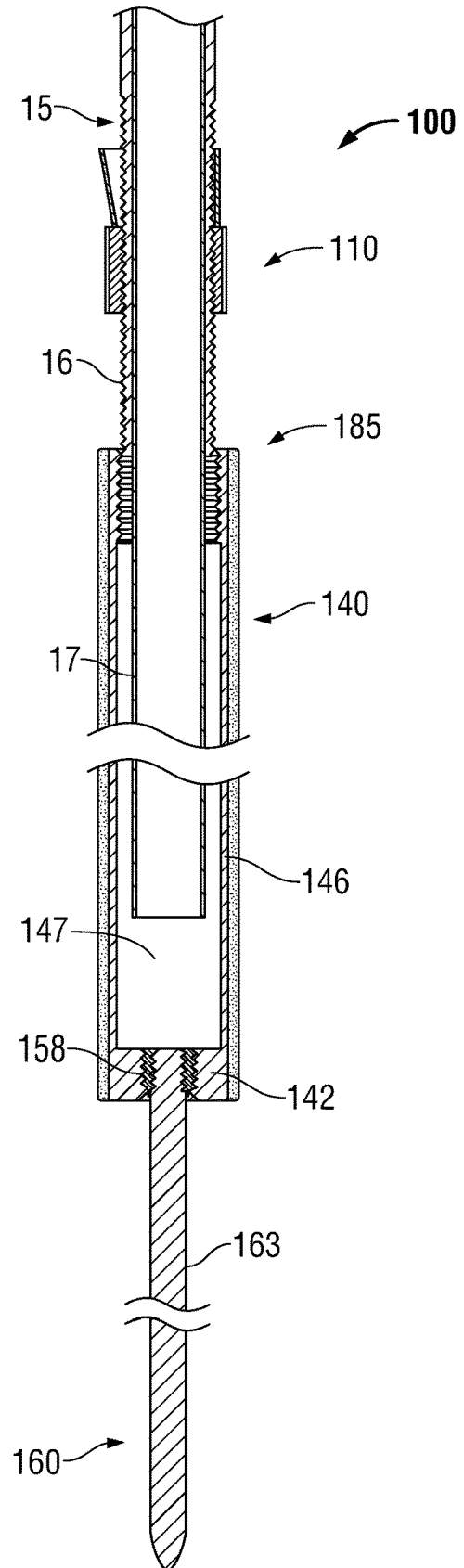


FIG. 9

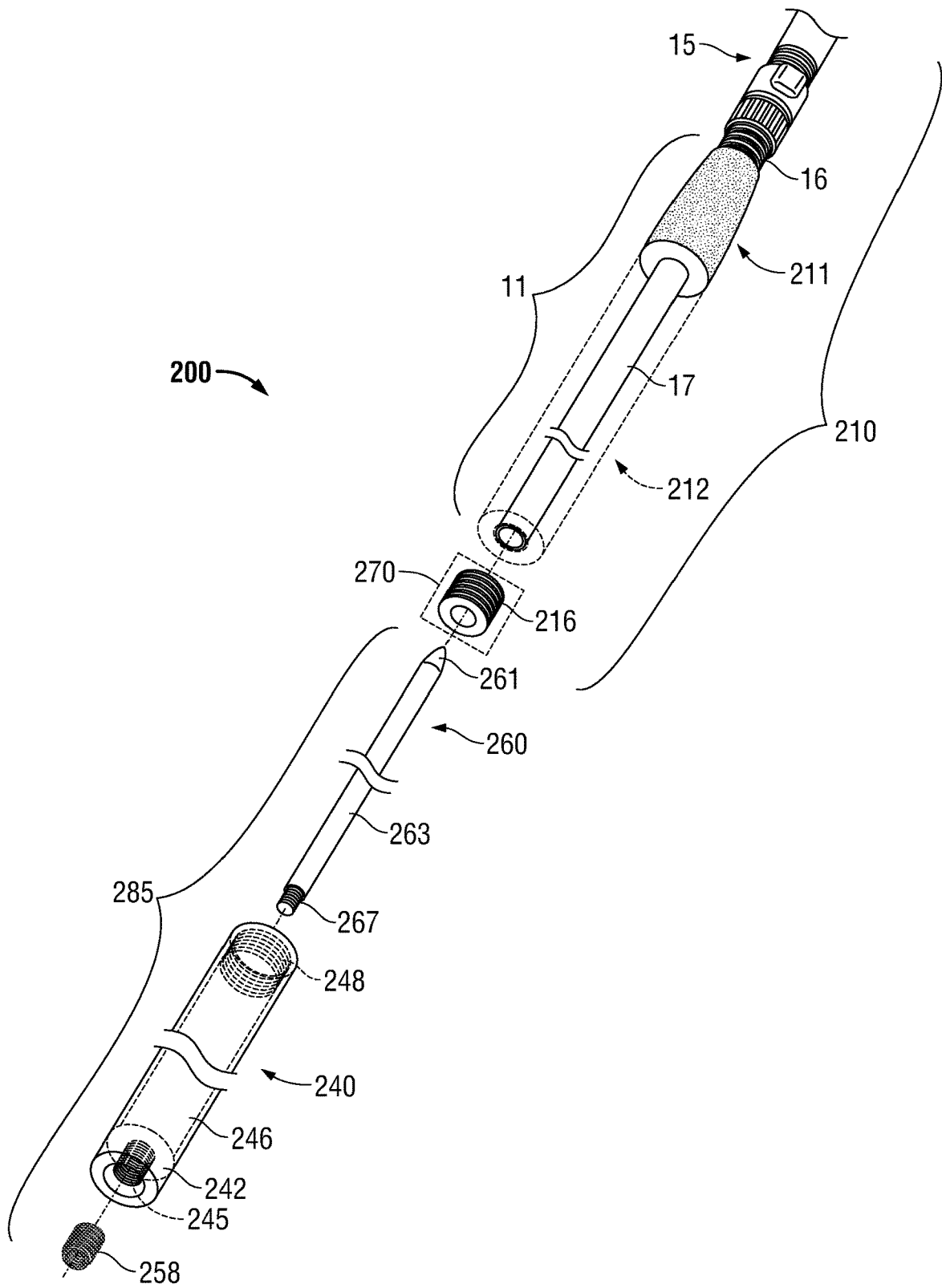


FIG. 10

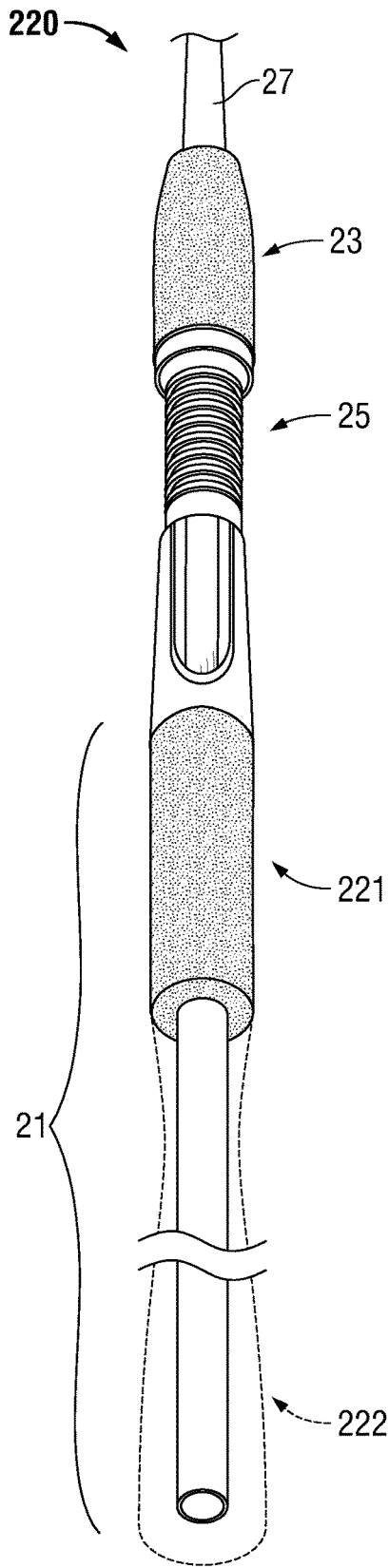


FIG. 11

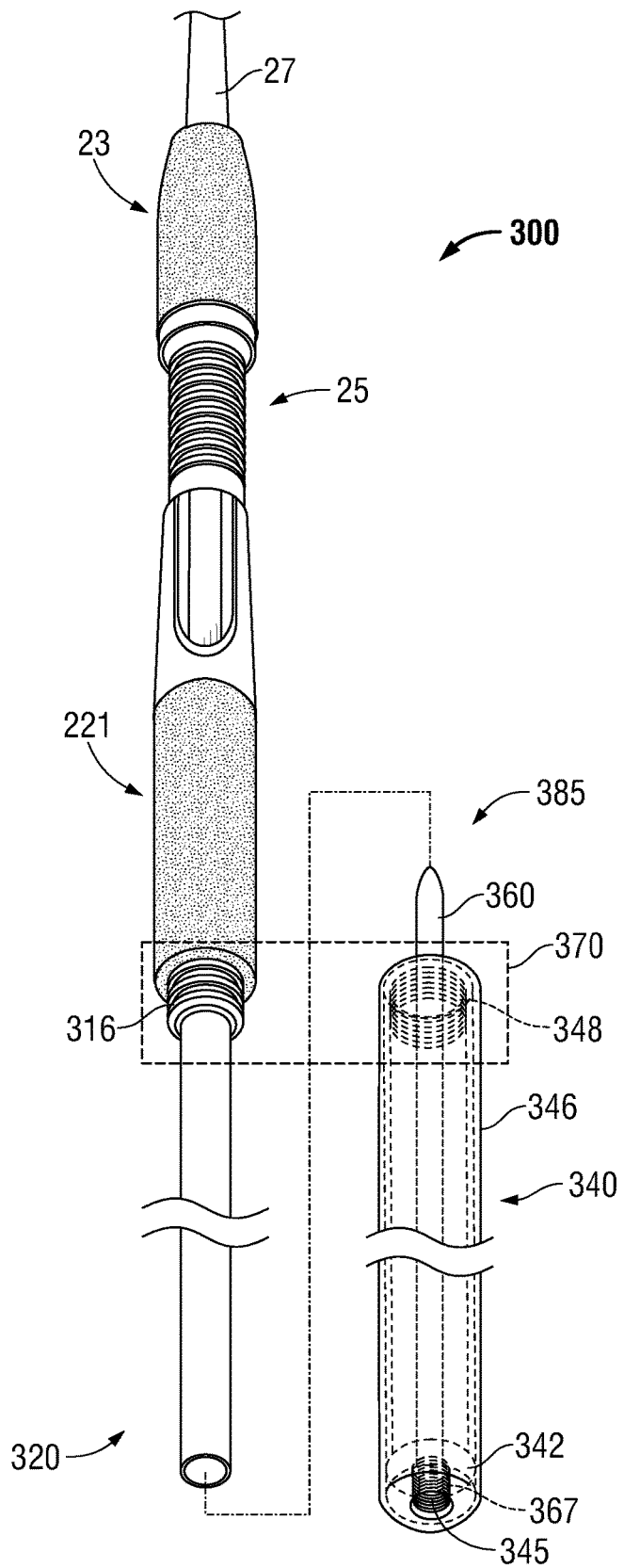


FIG. 12

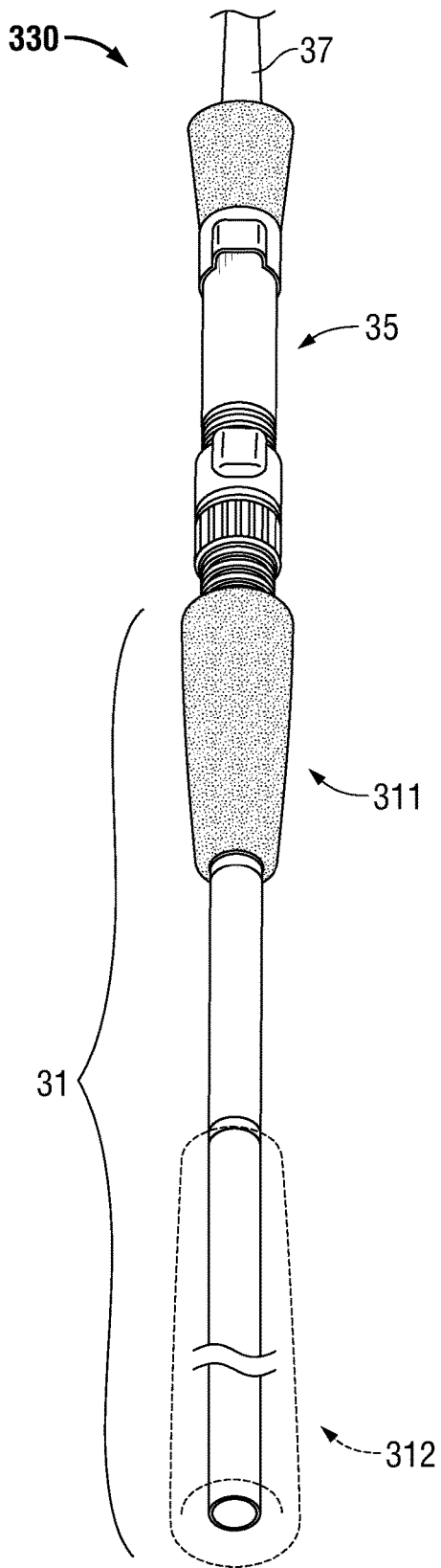


FIG. 13

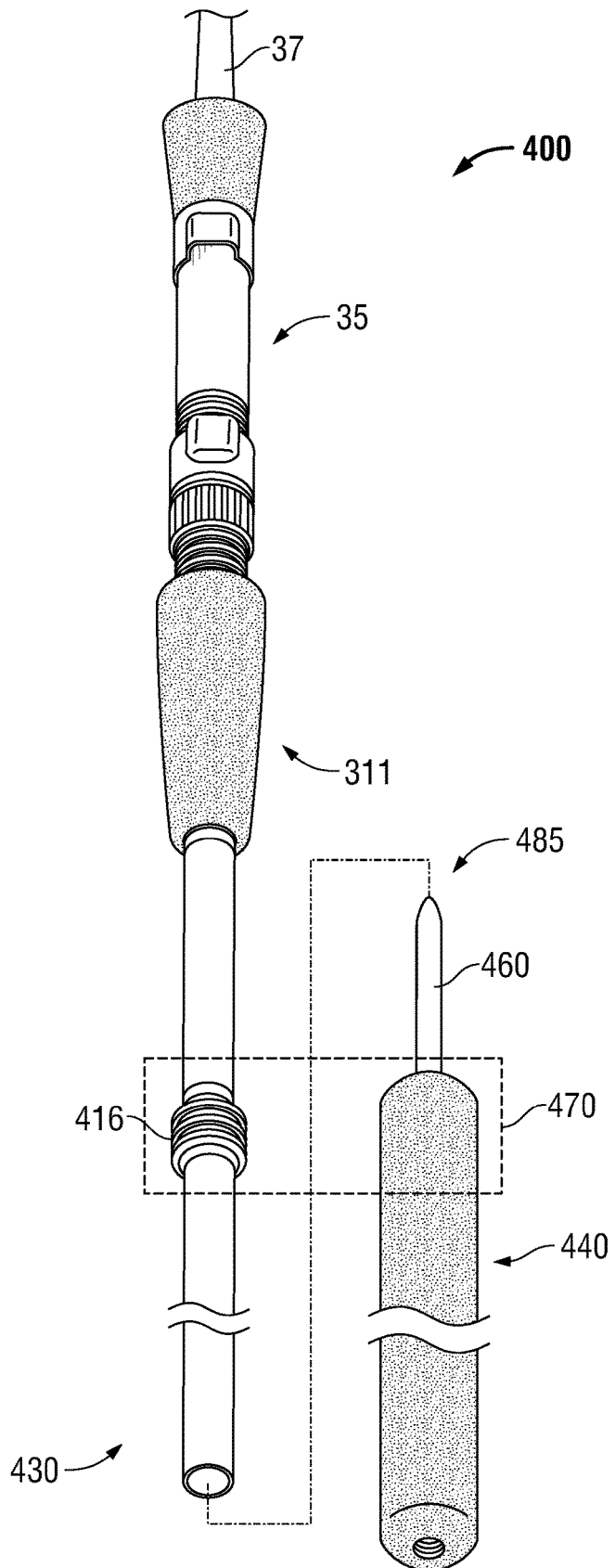


FIG. 14

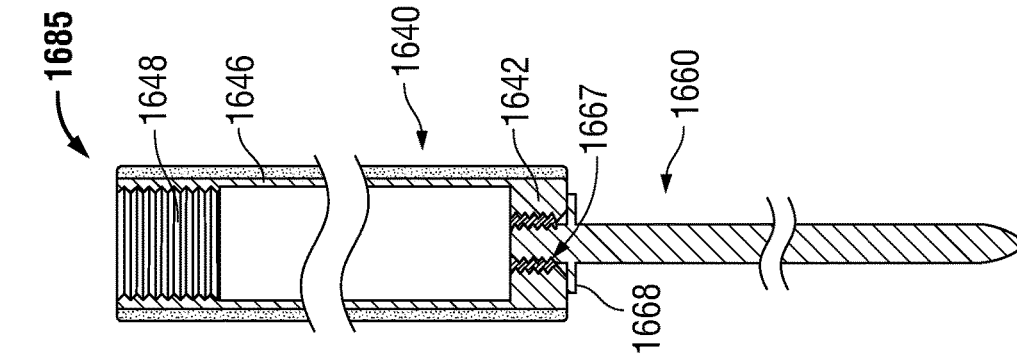


FIG. 15A

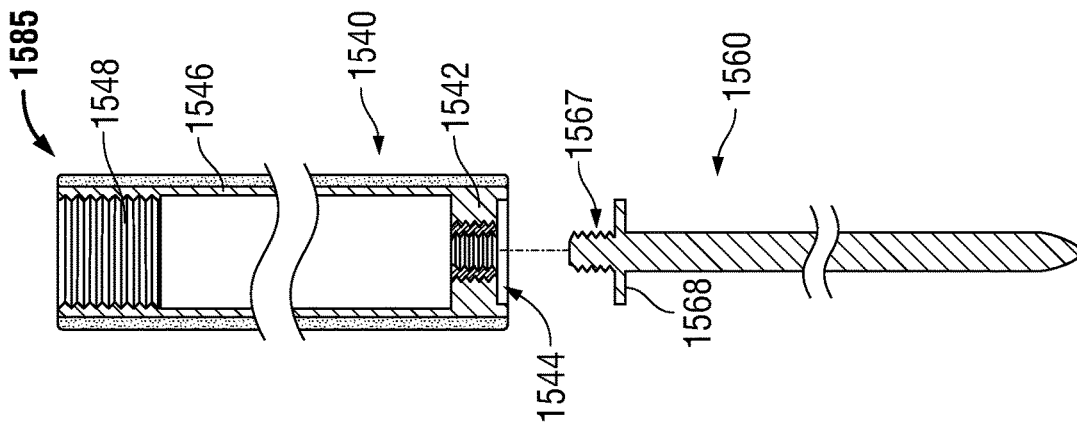


FIG. 15B

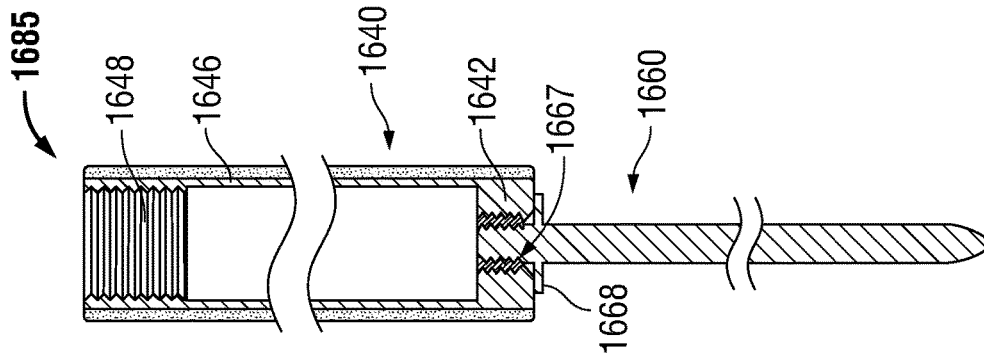


FIG. 16

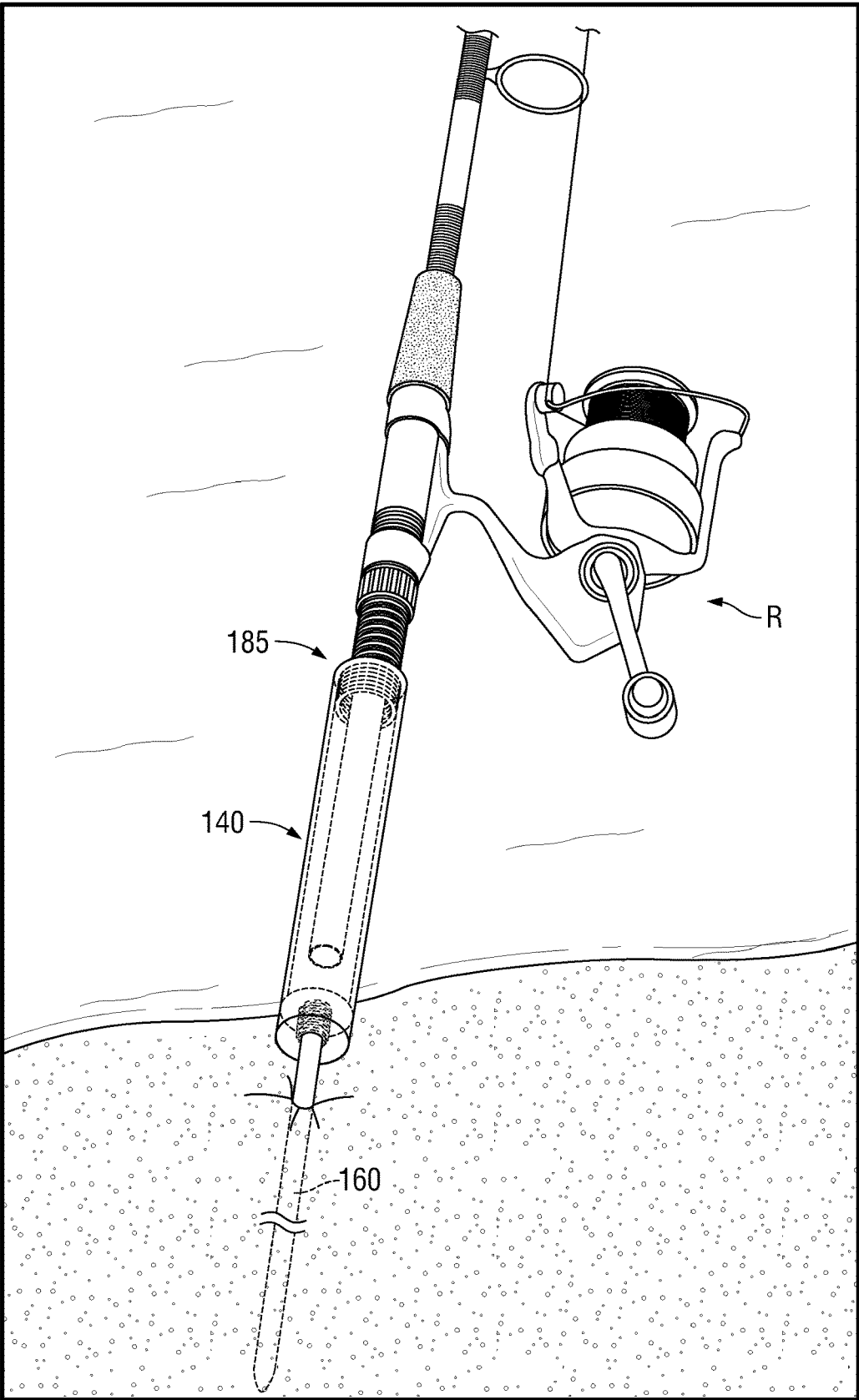


FIG. 17

1

FISHING ROD HOLDERS AND FISHING RODS INCLUDING THE SAME

CROSS-REFERENCE TO RELATED APPLICATIONS

Not applicable.

BACKGROUND

1. Technical Field

The various exemplary embodiments of the disclosure relate generally to the field of fishing equipment and, more specifically, to fishing rod holders for use in conjunction with fishing rods.

2. Related Art

Fishing is a popular outdoor activity, supporting a multi-million-dollar industry. According to a report in 2020, for example, approximately fifty-five million Americans participated in freshwater, saltwater, and fly-fishing activities. The number of people participating in recreational fishing is recognized to be increasing on a global scale.

Among the components that make up a fishing rod are the rod blank, handle (also known as grip), reel seat, and guides. A rod blank is the long flexible pole component of a fishing rod, usually made of graphite, fiberglass, or composite materials. A fishing rod reel seat secures a reel to the rod blank. Examples of reel seats include spinning, casting, and fly rod reel seats. Heavy fishing rods usually use metal reel seats while lighter rods often use graphite seats. On a typical fishing rod, the part below where the reel seat is located is known as the grip, using which allows the fisher to hold and maneuver the rod. Split grip handles are one of the popular grips for fishing rods. Many anglers prefer the traditional full grip handles. Alternatively, pistol grip handles, usually found on casting rods, are much shorter than full or split grips. Whether a rod handle has a full grip or a split grip set up, often there is also a foregrip. The size, shape, location and material of the grip and the foregrip and the type and location of the reel seat is a matter of design choice and may differ from fishing rod to fishing rod.

Fishing is an activity practiced all over the world. Whether on a boat or from a bank, there are different techniques, styles, or methods when it comes to fishing. One of the most popular methods of fishing is bait fishing. Bait fishing is performed by casting out a form of artificial or live bait, suitable for the fish species being targeted. The angler then waits for a fish to strike the bait offering. During the substantial periods usually devoted to bait fishing, there can be considerable time between bites or strikes. While an angler is waiting for a fish to strike, the fishing rod is commonly placed into a rod holder, presenting viable options. A few examples of which include: hands-free convenience; the ability to use multiple fishing rods at the same time, increasing the chances of catching fish; and, by keeping the rod tip high, allow the angler to see when he or she is getting a bite.

A fishing rod holder can make fishing more enjoyable and even more successful. The role of a rod holder is not just to give a fisher's hands a break. Fishing rod holders range from a forked stick driven into the terrain alongside a body of water to tubes which can be embedded into the shore, or bank, of a body of water and to adjustable models mountable on fishing boats. Rod holders are particularly suitable for

2

bait fishing. An example of a fishing rod holder useable for fishing from the shore is shown in FIGS. 1A-1C.

Referring to FIGS. 1A-1C, an example fishing rod holder includes an upper portion 1 adapted to support a fishing rod 9 (illustrated in phantom lines in FIG. 1C), an elongate member 2 having a pointed tip capable of being driven into the earth (illustrated in phantom lines in FIGS. 1B and 1C) and a triangular-shaped anchor plate 3 affixed to the elongate member 2. The triangular-shaped anchor plate 3 functions to anchor the rod holder in the sand or ground (illustrated in phantom lines in FIGS. 1B and 1C). Depending on how a bank or shore is sloped, a fisher can place the elongate member 2 with the affixed anchor plate 3 at an appropriate angle to suitably position the fishing rod 9 for fishing.

Many sporting goods stores and hunting and fishing retail stores offer a variety of fishing rod holders for freshwater or saltwater use. However, conventional fishing rod holders tend to be relatively bulky and cumbersome to carry. For many anglers, the need to store conventional fishing rod holders between fishing outings, and efforts to locate the rod holders when packing for an outing, can be wearisome. Fishing rod holders are an item easily forgotten when packing for a fishing trip.

There is a continuing need for improved fishing rod holders.

BRIEF SUMMARY

Various exemplary embodiments in accordance with the disclosure provide fishing rod holders. Exemplary embodiments of the disclosure provide a fishing rod including a fishing rod holder configured to be removably attachable to a proximal end portion of the fishing rod. Exemplary embodiments of the disclosure provide a fishing rod holder that is simple to manufacture, light in weight, durable, and capable of allowing quick and easy access, insertion, and removal of a fishing rod thereon and therefrom.

Various exemplary embodiments in accordance with the disclosure provide fishing rods including a fishing rod holder that eliminates the need to carry a separate rod holding device. Exemplary embodiments of the disclosure provide a fishing rod including a fishing rod holder that is easy to transport and capable of allowing quick and easy detachment of the fishing rod holder from a stored configuration in conjunction with the handle section of the fishing rod.

Various exemplary embodiments in accordance with the disclosure provide a fishing rod including a fishing rod holder configured to be detachably affixed to the fishing rod by a connection mechanism. Exemplary embodiments of the disclosure provide a fishing rod including a fishing rod holder configured to be removably attachable to a proximal end portion of a reel seat of the fishing rod. Exemplary embodiments of the disclosure provide a fishing rod including a fishing rod holder configured to be removably attachable to the fishing rod independent of a reel seat.

Exemplary embodiments of the disclosure provide a fishing rod holder including a spike having a stored configuration and a deployed configuration. Exemplary embodiments of the disclosure provide a fishing rod including a fishing rod holder including a spike that is concealed when the fishing rod holder is attached to a handle section of the fishing rod, which may allow the fishing rod to be used for all forms of fishing. Exemplary embodiments of the disclosure provide a fishing rod holder that is light in weight and does not affect the function of the fishing rod.

Exemplary embodiments of the disclosure may provide, or be part of, a fishing rod kit. The kit may provide one or

more components for modifying a conventional fishing rod to allow a fishing rod holder in accordance with an exemplary embodiment of the disclosure to be detachably affixed to the modified fishing rod. According to an exemplary embodiment of the disclosure, a fishing rod kit includes an externally-threaded tubular connector configured to enclose a portion of the rod blank.

According to an exemplary embodiment of the disclosure, a fishing rod holder is provided. The fishing rod holder includes a tubular member capable of removably holding a fishing rod thereon. The tubular member also includes a first annular wall enclosing a longitudinally extending first cavity portion and a second annular wall enclosing a longitudinally extending second cavity portion. The second annular wall includes an internally-threaded end portion at one end. The fishing rod holder also includes a spike that is detachably affixable to the tubular member. The spike has a stored configuration and a deployed configuration. At least a portion of the spike is disposed in the second cavity portion when in the stored configuration.

According to an exemplary embodiment of the disclosure, a fishing rod is provided. The fishing rod includes a rod blank and a handle section that is associated with the rod blank. The fishing rod also includes a fishing rod holder that is removably attachable to a proximal portion of the handle section. The fishing rod holder includes a first annular wall enclosing a longitudinally extending first cavity portion and a second annular wall enclosing a longitudinally extending second cavity portion. The second cavity portion is sized and configured to receive a proximal end portion of the rod blank therein. The fishing rod holder also includes a spike. The spike includes a threaded portion. The spike has a stored configuration and a deployed configuration. The fishing rod also includes a connection mechanism that is configured to detachably affix the fishing rod holder to the proximal portion of the handle section.

According to an exemplary embodiment of the disclosure, a connection mechanism includes an externally-threaded tubular connector enclosing a portion of the rod blank.

According to an exemplary embodiment of the disclosure, a fishing rod is provided. The fishing rod includes a rod blank and a handle section that is associated with the rod blank. The handle section includes a reel seat. The fishing rod also includes a fishing rod holder that is removably attachable to a proximal portion of the handle section. The fishing rod holder includes a tubular member including a first annular wall enclosing a longitudinally extending first cavity portion and a second annular wall enclosing a longitudinally extending second cavity portion. The second annular wall includes an internally-threaded end portion. The fishing rod holder also includes a spike detachably affixable to the tubular member. The fishing rod also includes a connection mechanism that is configured to detachably affix the fishing rod holder to the proximal portion of the handle section.

It will be apparent to those of ordinary skill in the art that certain aspects of the fishing rod holders and fishing rods including a fishing rod holder described herein can be arranged and combined in a wide variety of different configurations, all of which are contemplated herein. The exemplary embodiments of fishing rod holders and fishing rods including a fishing rod holder described herein are not meant to be limiting.

The details of one or more exemplary embodiments are set forth in the description of the drawings below. Other features will be apparent from the description and drawings, and from the claims.

BRIEF DESCRIPTION OF THE DRAWINGS

Objects and features of the presently-disclosed fishing rod holders and fishing rods including a fishing rod holder will become apparent to those of ordinary skill in the art when descriptions of various exemplary embodiments thereof are read with reference to the accompanying drawings, of which:

FIGS. 1A-1C are perspective views of a prior art fishing rod holder, where FIG. 1A shows the fishing rod holder in an unemployed upright configuration, FIG. 1B shows the fishing rod holder disposed in an angled configuration with a portion thereof disposed in the earth as illustrated in phantom lines, and FIG. 1C illustrates use of the fishing rod holder in the angled configuration shown in FIG. 1B in conjunction with a fishing rod, with the fishing rod illustrated in phantom lines;

FIGS. 2A-2C are perspective views of fishing rod handle sections in accordance with exemplary embodiments of the disclosure, where FIG. 2A shows a rod blank with a full grip disposed adjacent to a threaded portion of a reel seat at an end thereof, FIG. 2B shows a rod blank with a full grip disposed adjacent to a proximal portion of a hidden thread reel seat at an end thereof, and FIG. 2C shows a rod blank with a split grip disposed adjacent to a threaded portion of a reel seat at an end thereof;

FIG. 3 is a perspective view of a fishing rod and a fishing rod holder detachably attached thereto in accordance with an exemplary embodiment of the disclosure;

FIG. 4 is a perspective view of the fishing rod and fishing rod holder of FIG. 3 shown in a detached and spaced apart configuration, showing a spike of the fishing rod holder in a stored configuration, and further showing a reel mounted to a reel seat of the fishing rod, with the reel illustrated in phantom lines, in accordance with an exemplary embodiment of the disclosure;

FIG. 5A is an exploded view of the fishing rod holder of FIG. 3, shown aligned with a proximal portion of the handle section of the fishing rod of FIG. 4, in accordance with an exemplary embodiment of the disclosure;

FIG. 5B is an enlarged perspective view of a tubular member of the fishing rod holder of FIG. 5A in accordance with an exemplary embodiment of the disclosure;

FIG. 6 is a cross sectional view of the fishing rod and fishing rod holder of FIG. 3 taken along line 6-6 of FIG. 3 in accordance with an exemplary embodiment of the disclosure;

FIG. 7 is a cross sectional view of the fishing rod and fishing rod holder of FIG. 3, shown in a detached and spaced apart configuration of FIG. 4, in accordance with an exemplary embodiment of the disclosure;

FIG. 8 is a cross sectional view of the fishing rod holder of FIG. 4, with the spike shown in a deployed configuration, in accordance with an exemplary embodiment of the disclosure;

FIG. 9 is a cross sectional view of the fishing rod holder of FIG. 4, with the spike shown in the deployed configuration of FIG. 8, and further showing a proximal end portion of the fishing rod of FIG. 3 supported by the fishing rod holder, in accordance with an exemplary embodiment of the disclosure;

FIG. 10 is an exploded view of a fishing rod holder and a proximal portion of a handle section of a fishing rod in accordance with another exemplary embodiment of the disclosure;

FIG. 11 is a perspective view of the fishing rod of FIG. 2B shown absent a portion of the full grip handle, with the

absent portion illustrated in phantom lines, and further showing an end portion of the rod blank, in accordance with an exemplary embodiment of the disclosure;

FIG. 12 is a perspective view of a fishing rod and fishing rod holder shown in a detached and spaced apart configuration in accordance with yet another exemplary embodiment of the disclosure;

FIG. 13 is a perspective view of the fishing rod of FIG. 2C shown absent a portion of the split grip handle, with the absent portion illustrated in phantom lines, in accordance with an exemplary embodiment of the disclosure;

FIG. 14 is a perspective view of a fishing rod and fishing rod holder shown in a detached and spaced apart configuration in accordance with still another exemplary embodiment of the disclosure;

FIGS. 15A and 15B are a perspective view of a fishing rod holder in accordance with an exemplary embodiment of the disclosure, where FIG. 15A shows a fishing rod holder with the spike in a deployed configuration, with the spike including a flange, and further showing a tubular member of the fishing rod holder having a cavity configured to receive the flange of the spike, and FIG. 15B shows the fishing rod holder of FIG. 15A with the spike including a flange detached and spaced apart from the tubular member;

FIG. 16 is a perspective view of a fishing rod holder in accordance with an exemplary embodiment of the disclosure, showing a spike of the fishing rod holder in a deployed configuration, and further showing the spike including a flange; and

FIG. 17 is a perspective view of a fishing rod holder and a fishing rod in accordance with an exemplary embodiment of the disclosure, with the spike shown in a deployed configuration, and further showing a proximal portion of the fishing rod supported by the fishing rod holder.

DETAILED DESCRIPTION

Hereinafter, exemplary embodiments of a fishing rod holder and exemplary embodiments of a fishing rod including a fishing rod holder are described with reference to the accompanying drawings. Like reference numerals may refer to similar or identical elements throughout the description of the figures. As shown in the drawings and as used in this description, and as is traditional when referring to relative positioning on an object, the term “proximal” refers to that portion of the apparatus, or component thereof, closer to the user and the term “distal” refers to that portion of the apparatus, or component thereof, farther from the user.

This description may use the phrases “in an exemplary embodiment,” “in exemplary embodiments,” “in some exemplary embodiments,” or “in other exemplary embodiments,” which may each refer to one or more of the same or different embodiments in accordance with the present disclosure. As used herein, the terms “comprises,” “comprising,” “includes,” “including,” “has,” “having,” “contains” or “containing,” or any other variation thereof, are intended to cover a non-exclusive inclusion, such that a process, method, article, or apparatus that comprises a list of elements does not include only those elements but may include other elements not expressly listed or inherent to such process, method, article, or apparatus. Additionally, the term “exemplary” as used herein means “serving as an example, instance or illustration.” Any embodiment or design described herein as “exemplary” is not necessarily to be construed as preferred or advantageous over other embodiments or designs. The terms “at least one” and “one or more”

can be understood to include any integer number greater than or equal to one, i.e., one, two, three, four, etc.

It is to be understood that the terminology used herein is for the purpose of describing particular embodiments only, and is not intended to be limiting. As it is used in this description, the term “grip” refers to the part of a fishing rod that the fisher holds onto when he or she is fishing. As it is used in this description, “handle section” is a broad term that includes the grip but also encompasses the reel seat and other elements such as a foregrip and/or a butt cap, if any.

For the purposes of this description, the terms “angler,” “fisher,” and “fisherman” are used interchangeably. As it is used in this description, “a body of water” generally refers to oceans, seas, lakes, rivers, streams, creeks, and canals, but it may include smaller pools of water such as ponds and wetlands. As it is used in this description, the term “bank” generally refers to the land or terrain alongside a body of water.

It is to be understood that the following disclosure describes exemplary embodiments for implementing different features, structures, or functions of a fishing rod holder and exemplary embodiments for implementing different features, structures, or functions of a fishing rod including a fishing rod holder. Exemplary embodiments of components, arrangements, and configurations are described below to simplify the present disclosure; however, these embodiments are provided merely as examples and are not meant to be limiting. Accordingly, it should be apparent to those skilled in the art that the following description of exemplary embodiments of the present disclosure is provided for illustration purpose only and not for the purpose of limiting the scope of the present invention as defined by the appended claims and their equivalents.

Referring to FIG. 2A, a fishing rod 10 in accordance with an exemplary embodiment of the disclosure is shown. The fishing rod 10 includes a rod blank 17 and a handle section 19 affixed to a proximal end portion of the rod blank 17. The handle section 19 includes a grip 11 and a foregrip 13. In exemplary embodiments, the handle section 19 may take different shapes, forms, and sizes, in addition or as an alternative to the configuration illustrated in FIG. 2A, for example, depending on various factors including targeted fish and/or fishing conditions.

In exemplary embodiments, the rod blank 17 is made in an elongated shape with flexible materials. The rod blank 17 can be made from any of various kinds of elastic materials, such as, for example, glass fiber, carbon fiber, and plastic materials. The rod blank 17 can be made of, for example, fiberglass, carbon fibers, graphite fibers, high modulus, graphite carbon fibers, DAIWA carbon fiber materials, SVF carbon fibers, super SVF carbon fibers, or Z-SVF carbon fibers.

The grip 11 can be manufactured from any suitable materials. The grip 11 can be made from, for example, cork rings, composites, EVA (ethylene-vinyl acetate) foam, natural and synthetic rubber, textured grip tapes, heat shrink tubing, and carbon fiber, which may offer varying levels of comfort, durability, sensitivity, and weight. The foregrip 13 can be manufactured from the same or different materials from the grip 11. It will be appreciated by those skilled in the art that the size, shape, location and material of the foregrip 13 is a matter of design choice and may differ from fishing rod to fishing rod. Alternatively, the fishing rod 10 can be manufactured without a foregrip.

As depicted, the handle section 19 further includes a reel seat 15. In general, the reel seat 15 has a structure in a cylindrical form having a central bore through which a blank

rod is to be passed. Reel seat arbors (not shown) can be used to displace and center the distance between the reel seat **15** and the rod blank **17**. In an exemplary embodiment of the disclosure, the reel seat **15** is disposed between the distal end of the grip **11** and the proximal end of the foregrip **13** and is aligned with the longitudinal axis (e.g., longitudinal axis A-A shown in FIG. 4) of the rod blank **17**. Those of ordinary skill in the art will appreciate that the length of the grip **11** and the location of the reel seat **15** is a matter of design choice and may vary from the configuration shown in FIG. 2B.

In an exemplary embodiment of the disclosure, the reel seat **15** includes a threaded portion **16** at the proximal end thereof and disposed adjacent to the distal end of the grip **11**. The reel seat **15** generally includes a tubular body having attached first and second reel foot holders for detachably securing a reel foot thereto. The first reel foot holder (or “movable hood”), which is provided on one end of the tubular body, is movable along the threaded end portion **16** and has an interior region for receiving a leg of a reel foot. The second foot holder (or “fixed hood”) is fixedly mounted on another end of the tubular body and has an interior region capable of receiving another leg of the reel foot. In exemplary embodiments of the disclosure, the reel seat **15** includes a fastening element for adjusting a relative position of the movable hood with respect to the fixed hood in the axial direction of the tubular body of the reel seat. In an exemplary embodiment, the fastening element is a nut member, and the movable hood is moved closer to/away from the fixed hood by rotationally operating the nut member along the threaded portion **16**.

Referring to FIG. 2B, a fishing rod **20** in accordance with an exemplary embodiment of the disclosure is shown. The fishing rod **20** includes a rod blank **27** and a handle section **29** affixed to a proximal end portion of the rod blank **27**. The rod blank **27** is similar to the rod blank **17** shown in FIG. 2A and further description thereof is omitted in the interests of brevity.

The handle section **29** includes a grip **21**. It will be appreciated that the shape of the grip **21** may vary from the configuration shown in FIG. 2B. The grip **21** is similar to the grip **11** shown in FIG. 2A, except for its shape, and further description thereof is omitted in the interests of brevity. In some exemplary embodiments of the disclosure, the handle section **29** may further include a foregrip **23**.

As illustrated in FIG. 2B, the handle section **29** further includes a reel seat **25**. In an exemplary embodiment of the disclosure, the reel seat **25** is a hidden thread reel seat and disposed between the distal end of the grip **21** and the proximal end of the foregrip **23**. Those of ordinary skill in the art will appreciate that the length of the grip **21** and the type and location of the reel seat **25** is a matter of design choice and may vary from the configuration shown in FIG. 2B.

Referring to FIG. 2C, a fishing rod **30** in accordance with an exemplary embodiment of the disclosure is shown. The fishing rod **30** includes a rod blank **37** and a handle section **39** affixed to a proximal end portion of the rod blank **37**. The handle section **39** includes a split grip handle **31**. It will be appreciated that the size and shape of the split grip **31** may be varied from the configuration depicted in FIG. 2C. In some exemplary embodiments of the disclosure, the handle section **39** may further include a foregrip **33**.

The handle section **39** further includes a reel seat **35**. In an exemplary embodiment of the disclosure, the reel seat **35** includes a threaded portion **36** at the proximal end thereof and disposed adjacent to the distal end of the split grip **31**.

The reel seat **35** is similar to the reel seat **15** shown in FIG. 2A and further description thereof is omitted in the interests of brevity. Those of ordinary skill in the art will appreciate that the length of the split grip **31** and the type and location of the reel seat **35** is a matter of design choice and may vary from the configuration shown in FIG. 2C. In exemplary embodiments, the handle section **39** may take different shapes, forms, and sizes, in addition to or as an alternative to the configuration illustrated in FIG. 2C.

FIGS. 3-9 illustrate an exemplary embodiment of the presently-disclosed fishing rod and fishing rod holder, generally indicated by reference numeral **100**.

Referring to FIGS. 3, 4, 5A, 6, 7 and 9, the fishing rod and fishing rod holder **100** includes a fishing rod **110** and a fishing rod holder **185**. The fishing rod holder **185** can be detachably affixed to the fishing rod **110** by a connection mechanism, indicated schematically by dashed line box **170** in FIGS. 6 and 7.

The fishing rod **110** includes various components of the fishing rod **10** shown in FIG. 2A. For example, the fishing rod **110** includes the rod blank **17**, reel seat **15**, and foregrip **13** of the fishing rod **10**. It is to be understood that other fishing rod configurations may be used in conjunction with the fishing rod holder **185**, which may include additional, fewer, or different components than the fishing rod **110** shown in FIGS. 3, 4, 5A, 6, 7 and 9.

In FIGS. 3 and 6, the fishing rod holder **185** is shown detachably attached to the reel seat **15** of the fishing rod **110**. In exemplary embodiments of the disclosure, the fishing rod holder **185** is rotatably removably attachable to a proximal end portion of the reel seat **15** of the fishing rod **110**. In an exemplary embodiment of the disclosure, the fishing rod holder **185** is configured to be threadedly attachable to the threaded portion **16** of the reel seat **15**. In other exemplary embodiments of the disclosure, the fishing rod and fishing rod holder may be configured to be removably attachable using any of a variety of connection mechanisms. Examples of connection mechanisms include, without limitation, threaded connections, push-button locks, spring clips, external levers, internal locks, cam locks, rotary style latches, bayonet style latches, magnetism, quick locks, twist locks, and combination locks. It is to be understood that the particular implementation of the connection mechanism may vary, and the features, structures, or functions of a fishing rod including a fishing rod holder described herein are not limited to any particular implementation of the connection mechanism.

In exemplary embodiments of the disclosure, the connection mechanism **170** may further facilitate an electrical connection as well as a physical connection. For example, the connection mechanism may provide a physical electrical connection that carries electrical current for powering one or more electrical devices (not shown) as well as physically connecting the fishing rod holder **185** to the fishing rod **110**. In some exemplary embodiments where the connection mechanism **170** is used to provide a physical electrical connection, the fishing rod holder **185** may include a power source (not shown), one or more sensors (not shown), light emitting diodes (not shown), etc. For example, the power source may be a rechargeable battery.

Referring to FIG. 4, the fishing rod and fishing rod holder **100** is shown in a detached and spaced apart configuration. As shown in FIG. 4, a fishing reel “R” (illustrated in phantom lines) is affixed to the reel seat **15** of the fishing rod **110**. It will be appreciated that the fishing reel “R” can be any type of fishing reel, such as, for example, any of a variety of spinning and bait casting reels.

The shapes, relative size, and spacing of the fishing rod holder **185** and the foregrip **13** may be varied from the configuration depicted in FIGS. **3** and **4**. In other exemplary embodiments of the presently-disclosed fishing rod and fishing rod holder, a fishing rod with no foregrip can be used in conjunction with the fishing rod holder **185**.

Referring to FIGS. **4**, **5A** and **6-9**, the fishing rod holder **185** generally includes a tubular member **140** and a spike **160**. The spike **160** is shown in a deployed configuration in FIGS. **8** and **9**. The spike **160** is shown in a stored configuration in FIGS. **4**, **6** and **7**.

In exemplary embodiments of the disclosure, in the stored configuration, the spike **160** is axially aligned with the longitudinal axis A'-A' of the tubular member **140**. In exemplary embodiments of the disclosure, at least a distal end portion of the spike **160** is sized and configured to be receivable within a proximal end portion of the rod blank **17**. The spike **160** can be made from metal, for example, galvanized steel or aluminum, or other suitable material. In some exemplary embodiments of the disclosure, the spike **160** has a diameter in the range of about 0.125 to 0.375 inches and a length in the range of about 3 to 12 inches. For example, the spike **160** may have a diameter of about 0.25 inches and a length of about 6 inches.

In exemplary embodiments of the disclosure, the spike **160** includes a substantially cylindrical shaft **163**. As shown in FIGS. **5A** and **8**, the shaft **163** includes a tip portion **161** disposed at a first end thereof and a threaded portion **167** disposed at a second, opposing end thereof. In some exemplary embodiments of the disclosure, the threaded portion **167** has a diameter in the range of 0.125 to 0.375 inches and a thread length in the range of 0.25 to 1.5 inches. In some exemplary embodiments of the disclosure, the tip portion **161** has a blunt-nosed tip. In other exemplary embodiments, the tip portion **161** has a relatively sharp termination point. The shaft **163** and the tip portion **161** may have any suitable earth-penetrating shape. In exemplary embodiments of the disclosure, the shaft **163** has a cross-section slidably receivable generally within a proximal end portion of the rod blank **17**. Although a substantially cylindrical shaft **163** is shown, it is to be understood that the shape of the shaft **163** may be varied from the configuration depicted in FIGS. **5A** and **8**. Those of ordinary skill in the art will appreciate that the size, shape, and composition of the spike **160** can vary, for example, depending on the weight of the fishing rod, the size of the rod blank, and the targeted fish and/or fishing conditions. The spike **160** may have a notch (not shown) for a tool, for both tightening and loosening of the spike **160**.

Referring to FIG. **5B**, the tubular member **140** includes a proximal end **141** and a distal end **149**, with the longitudinal axis A'-A' extending therebetween. In exemplary embodiments of the disclosure, the tubular member **140** includes a first annular wall **142** having a first thickness and a second annular wall **146** having a second thickness. In exemplary embodiments of the disclosure, the first annular wall **142** includes a beveled portion **144** aligned and in communication with the first cavity portion **143**, as shown in FIGS. **5B** and **8**, to accommodate the spike **160** during deployment thereof.

The first annular wall **142** encloses a longitudinally extending first cavity portion **143**. In some exemplary embodiments of the disclosure, the first cavity portion **143** is sized and configured to receive a threaded insert **158**.

The second annular wall **146** encloses a longitudinally extending second cavity portion **147**. The second cavity portion **147** is sized and configured to receive a proximal end portion of the rod blank **17** of the fishing rod **110**, as shown

in FIG. **9**. In exemplary embodiments of the disclosure, the second annular wall **146** includes an internally-threaded end portion **148** longitudinally extending from the distal end **149** of the tubular member **140**. The internally-threaded end portion **148** has a predetermined length (or thread length). In exemplary embodiments of the disclosure, the internally-threaded end portion **148** has a diameter in the range of 0.5 to 1.5 inches and a thread length in the range of 0.125 to 0.5 inches.

The tubular member **140** can be made from aluminum or other metal, plastic, PVC (polyvinyl chloride) schedule **40** pipe, or other suitable material, and may be formed by any suitable process, such as machining, injection molding, etc. In exemplary embodiments of the disclosure, the tubular member **140** has a diameter in the range of about 0.5 to 1.5 inches and a length in the range of about 2 to 8 inches. In some exemplary embodiments of the disclosure, at least a portion of the tubular member **140** is surrounded by a grip material, such as, for example, cork rings, composites, EVA (ethylene-vinyl acetate) foam, natural and synthetic rubber, textured grip tapes, heat shrink tubing, or carbon fiber.

In some exemplary embodiments of the disclosure, as shown in FIG. **5B**, the first annular wall **142** includes an internally-threaded portion **145**. The internally-threaded portion **145** of the first annular wall **142** may be configured to mate with external threads of the threaded portion **167** of the spike **160**. In some exemplary embodiments of the disclosure, the internally-threaded portion **145** of the first annular wall **142** has a diameter in the range of 0.125 to 0.375 inches and a thread length in the range of 0.25 to 1.5 inches. In other exemplary embodiments of the disclosure, a threaded insert **158** is associated with first cavity portion **143** of the tubular member **140**, providing an internally threaded structure for engaging the threaded portion **167** of the spike **160**.

In some exemplary embodiments of the disclosure, the threaded insert **158** includes a first open end and a second open end opposite the first open end. In exemplary embodiments of the disclosure, the threaded portion **167** of the spike **160** is engaged with the first open end of the threaded insert **158** when in the stored configuration, and the threaded portion **167** of the spike **160** is engaged with the second open end of the threaded insert **158** when in the deployed configuration. Those of ordinary skill in the art will appreciate that the spike **160** can be detachably affixable to the first annular wall **142** using other types of connectors or fasteners.

The threaded insert **158** can be made from metal such as brass or copper, plastic such as PVC or PTFE (polytetrafluoroethylene), or other suitable material. In exemplary embodiments of the disclosure, the threaded insert **158** has a diameter in the range of 0.125 to 0.375 inches, and has internal threads configured to mate with external threads of the threaded portion **167** of the spike **160**. The threaded insert **158** can be installed into the first cavity portion **143** of the tubular member **140** by any suitable process, such as, for example, insert molding, heat insert driver, ultrasonic welding, heat staking, or using a screw driver or other tools. In some exemplary embodiments of the disclosure, the threaded insert **158** may include both external and internal threads, and the internally-threaded portion **145** of the first annular wall **142** may be configured to mate with external threads of the threaded insert **158**.

In FIG. **9**, the fishing rod **110** is shown supported by the fishing rod holder **185**. FIG. **9** shows the spike **160** in the deployed configuration, with a proximal end portion of the rod blank **17** of the fishing rod **110** disposed in the second

cavity portion **147** of the fishing rod holder **185**, and the threaded portion **16** of the reel seat **15** disposed in contact with, and supported by, the distal end **149** of the tubular member **140**. According to exemplary embodiments of the disclosure, for example, as illustrated in FIGS. **9** and **17**, when the fishing rod **110** is supported by the fishing rod holder **185** during the activity of trying to catch fish (otherwise known as “fishing”), the threaded portion **16** of the reel seat **15** is not engaged with threads of the second annular wall **146** of the tubular member **140** of the fishing rod holder **185**.

FIG. **10** illustrates an exemplary embodiment of the presently-disclosed fishing rod and fishing rod holder, generally indicated by reference numeral **200**. Referring to FIG. **10**, the fishing rod and fishing rod holder **200** includes a fishing rod **210** and a fishing rod holder **285**. The fishing rod **210** includes various components of the fishing rod **10** shown in FIG. **2A**. For example, the fishing rod **110** includes the rod blank **17** and reel seat **15** of the fishing rod **10**. The fishing rod **210** includes a first grip portion **211**. However, a second grip portion **212** (illustrated in phantom lines in FIG. **10**) is absent, as compared to the full grip **11** of the fishing rod **10** shown in FIG. **2A**. It will be appreciated that the size and shape of the first grip portion **211** may be varied from the configuration depicted in FIG. **10**.

The fishing rod **210** further includes a connection mechanism **270**, indicated schematically by dashed line box **270** in FIG. **10**. In an exemplary embodiment of the disclosure, shown in FIG. **10**, the connection mechanism **270** includes an externally-threaded tubular connector **216**. In other implementations of the connection mechanism, the connection mechanism **270** includes one or more threaded connectors, push-button locks, spring clips, external levers, internal locks, cam locks, rotary style latches, bayonet style latches, magnetism, quick locks, twist locks, combination locks, or other connectors or fasteners. In exemplary embodiments of the disclosure, the externally-threaded tubular connector **216** is suitably sized to enclose a portion of the rod blank **17**. In some exemplary embodiments of the disclosure, the externally-threaded tubular connector **216** has an outer diameter in the range of 0.5 to 1.5 inches, a thread length in the range of 0.125 to 1 inch, and an inner diameter in the range of 0.125 to 1 inch. The externally-threaded tubular connector **216** can be made from metal, plastic such as PVC or PTFE, or other suitable material.

The externally-threaded tubular connector **216** can be affixed to the rod blank **17** using an adhesive material, for example, epoxy adhesive, resin adhesive, cyanoacrylate, or any substance that is capable of holding materials together in a functional manner by surface attachment that resists separation, or by other suitable bonding means. In exemplary embodiments of the disclosure, the externally-threaded tubular connector **216** may be part of a kit for modifying a conventional fishing rod to allow the fishing rod holder **285** to be detachably affixed to the modified fishing rod.

The fishing rod holder **285** generally includes a tubular member **240** and a spike **260**. In exemplary embodiments of the disclosure, the tubular member **240** includes a first annular wall **242** having a first thickness and a second annular wall **246** having a second thickness. In exemplary embodiments of the disclosure, the second annular wall **246** includes an internally-threaded end portion **248** longitudinally extending from the distal end of the tubular member **240**. In exemplary embodiments of the disclosure, the internally-threaded end portion **248** is configured to mate with the externally-threaded tubular connector **216**. The internally-threaded end portion **248** has a predetermined length

(or thread length) extending from the distal end of the tubular member **240**. In exemplary embodiments of the disclosure, the internally-threaded end portion **248** has a diameter in the range of 0.5 to 1.5 inches and a thread length in the range of 0.125 to 0.5 inches.

In exemplary embodiments of the disclosure, the spike **260** includes a substantially cylindrical shaft **263**. As shown in FIG. **10**, the shaft **263** includes a tip portion **261** disposed at a first end thereof and a threaded portion **267** disposed at a second, opposing end thereof. In some exemplary embodiments of the disclosure, the first annular wall **242** of the tubular member **240** includes an internally-threaded portion **245** configured to mate with external threads of the threaded portion **267** of the spike **260**. In other exemplary embodiments of the disclosure, a threaded insert **258** is associated with the first annular wall **242** of the tubular member **240**, providing an internally-threaded structure for engaging the threaded portion **267** of the spike **260**. The tubular member **240**, threaded insert **258**, and spike **260** are similar to the tubular member **140**, threaded insert **158**, and spike **160**, respectively, shown in FIG. **5A** and further description thereof is omitted in the interests of brevity.

Referring to FIG. **11**, a fishing rod **220** in accordance with an exemplary embodiment of the disclosure is shown. The fishing rod **220** includes various components of the fishing rod **20** shown in FIG. **2B**. For example, the fishing rod **220** includes the rod blank **27**, reel seat **25**, and foregrip **23** of the fishing rod **20**. The fishing rod **220** includes a first grip portion **221**. However, a second grip portion **222** (illustrated in phantom lines in FIG. **11**) is absent, as compared to the full grip **21** of the fishing rod **20** shown in FIG. **2B**. It will be appreciated that the size and shape of the first grip portion **221** may be varied from the configuration depicted in FIG. **11**.

FIG. **12** illustrates an exemplary embodiment of the presently-disclosed fishing rod and fishing rod holder, generally indicated by reference numeral **300**. In the exemplary embodiment shown in FIG. **12**, the fishing rod and fishing rod holder **300** includes a fishing rod **320** and a fishing rod holder **385**. The fishing rod **320** is similar to the fishing rod **220** shown in FIG. **11**, except for the externally-threaded tubular connector **316**. Although the fishing rod **320** is shown, it is to be understood that other fishing rod configurations may be used, which may include additional, fewer, or different components than shown in FIG. **12**.

As shown in FIG. **12**, the fishing rod holder **385** includes a tubular member **340** and a spike **360**. The spike **360** is similar to the spike **160** shown in FIG. **5A** and further description thereof is omitted in the interests of brevity. In exemplary embodiments of the disclosure, the tubular member **340** includes a first annular wall **342** having a first thickness and a second annular wall **346** having a second thickness.

In exemplary embodiments of the disclosure, the first annular wall **342** includes an internally-threaded portion **345**. The internally-threaded portion **345** of the first annular wall **342** may be configured to mate with external threads of the threaded portion **367** of the spike **360**. In exemplary embodiments of the disclosure, the second annular wall **346** includes an internally-threaded end portion **348** longitudinally extending from the distal end of the tubular member **340**. In exemplary embodiments of the disclosure, the internally-threaded end portion **348** is configured to mate with the externally-threaded tubular connector **316**. The internally-threaded end portion **348** has a predetermined length (or thread length) from the distal end of the tubular member **340**. In exemplary embodiments of the disclosure, the inter-

13

nally-threaded end portion **348** has a diameter in the range of 0.5 to 1.5 inches and a thread length in the range of 0.125 to 0.5 inches. The tubular member **340** is similar to the tubular member **140** shown in FIG. 5B and further description thereof is omitted in the interests of brevity.

In exemplary embodiments of the disclosure, the fishing rod holder **385** can be detachably affixed to the fishing rod **320** by a connection mechanism, indicated schematically by dashed line box **370** in FIG. 12. In the exemplary embodiment shown in FIG. 12, the connection mechanism includes the internally-threaded end portion **348** of the tubular member **340** and the externally-threaded tubular connector **316** of the fishing rod **320**. In other exemplary embodiments of the disclosure, the fishing rod **320** and fishing rod holder **385** may be configured to be removably attachable using any of a variety of connection mechanisms. Examples of connection mechanisms include, without limitation, threaded connections, push-button locks, spring clips, external levers, internal locks, cam locks, rotary style latches, bayonet style latches, magnetism, quick locks, twist locks, and combination locks.

In exemplary embodiments of the disclosure, the externally-threaded tubular connector **316** has an outer diameter in the range of 0.5 to 1.5 inches and a thread length in the range of 0.125 to 1 inch. In exemplary embodiments of the disclosure, the externally-threaded tubular connector **316** has an inner diameter in the range of 0.125 to 1 inch, or suitably sized for the externally-threaded tubular connector **316** to enclose a portion of the rod blank **27**.

The externally-threaded tubular connector **316** can be affixed to the rod blank **27** using an adhesive material, for example, epoxy adhesive or resin adhesive, or by other suitable bonding means. In exemplary embodiments of the disclosure, the externally-threaded tubular connector **316** may be part of a kit for modifying a conventional fishing rod to allow the fishing rod holder **385** to be detachably affixed to the modified fishing rod.

Referring to FIG. 13, a fishing rod **330** in accordance with an exemplary embodiment of the disclosure is shown. The fishing rod **330** includes various components of the fishing rod **30** shown in FIG. 2C. For example, the fishing rod **330** includes the rod blank **37**, reel seat **35**, and foregrip **33** of the fishing rod **30**. The fishing rod **330** includes a first grip portion **311**. However, a second grip portion **312** (illustrated in phantom lines in FIG. 13) is absent, as compared to the split grip **31** of the fishing rod **30** shown in FIG. 2C.

FIG. 14 illustrates an exemplary embodiment of the presently-disclosed fishing rod and fishing rod holder, generally indicated by reference numeral **400**. In the exemplary embodiment shown in FIG. 14, the fishing rod and fishing rod holder **400** includes a fishing rod **430** and a fishing rod holder **485**. The fishing rod **430** is similar to the fishing rod **330** shown in FIG. 13, except for the externally-threaded tubular connector **416**. Although the fishing rod **430** is shown, it is to be understood that other fishing rod configurations may be used, which may include additional, fewer, or different components than shown in FIG. 14.

As shown in FIG. 14, the fishing rod holder **485** includes a tubular member **440** and a spike **460**. The spike **460** is similar to the spike **160** shown in FIG. 5A and further description thereof is omitted in the interests of brevity. The tubular member **440** is similar to the tubular member **140** shown in FIG. 5B and further description thereof is omitted in the interests of brevity.

In exemplary embodiments of the disclosure, the fishing rod holder **485** can be detachably affixed to the fishing rod **430** by a connection mechanism, indicated schematically by

14

dashed line box **470** in FIG. 14. In the exemplary embodiment shown in FIG. 14, the connection mechanism includes the internally-threaded end portion of the tubular member **440** and the externally-threaded tubular connector **416** of the fishing rod **430**. In other exemplary embodiments of the disclosure, the fishing rod **430** and fishing rod holder **485** may be configured to be removably attachable using any of a variety of connection mechanisms. The externally-threaded tubular connector **416** is similar to the externally-threaded tubular connector **316** shown in FIG. 12 and further description thereof is omitted in the interests of brevity.

FIGS. 15A and 15B illustrate an exemplary embodiment of a fishing rod holder, generally indicated by reference numeral **1585**. The fishing rod holder **1585** includes a tubular member **1540** and a spike **1560**. The spike **1560** has a stored configuration and a deployed configuration.

In exemplary embodiments of the disclosure, the tubular member **1540** includes a first annular wall **1542** having a first thickness and a second annular wall **1546** having a second thickness. In exemplary embodiments of the disclosure, the second annular wall **1546** includes an internally-threaded end portion **1548**.

FIG. 15A shows the fishing rod holder **1585** with the spike **1560** in the deployed configuration. In FIG. 15B, the spike **1560** of the fishing rod holder **1585** of FIG. 15A is shown detached and spaced apart from the tubular member **1540**. Referring to FIGS. 15A and 15B, the spike **1560** includes a threaded portion **1567** and a flange **1568** disposed proximate thereto. In the illustrated embodiment, the first annular wall **1542** includes an inset cavity **1544**, sized to receive the flange **1568**, at the proximal end of the tubular member **1540**.

The spike **1560** can be made from metal, for example, galvanized steel or aluminum, or other suitable material. In some exemplary embodiments of the disclosure, the spike **1560** has a diameter in the range of about 0.125 to 0.375 inches and a length in the range of about 3 to 12 inches. In exemplary embodiments of the disclosure, the flange **1568** has a substantially circular shape having a diameter of less than the diameter of the internally-threaded end portion **1548** of the second annular wall **1546** of the tubular member **1540**.

FIG. 16 illustrates another exemplary embodiment of a fishing rod holder, generally indicated by reference numeral **1685**. The fishing rod holder **1685** includes a tubular member **1640** and a spike **1660**. As shown in FIG. 16, the spike **1660** includes a threaded portion **1667** and a flange **1668** disposed proximate thereto. The spike **1660** has a stored configuration and a deployed configuration.

In exemplary embodiments of the disclosure, the tubular member **1640** includes a first annular wall **1642** having a first thickness and a second annular wall **1646** having a second thickness. In exemplary embodiments of the disclosure, the second annular wall **1646** includes an internally-threaded end portion **1648**.

In FIG. 16, the spike **1660** of the fishing rod holder **1685** is shown in a deployed configuration. The spike **1660** can be made from metal, for example, galvanized steel or aluminum, or other suitable material. In some exemplary embodiments of the disclosure, the spike **1660** has a diameter in the range of about 0.125 to 0.375 inches and a length in the range of about 3 to 12 inches. In exemplary embodiments of the disclosure, the flange **1668** has a substantially circular shape having a diameter of less than the diameter of the internally-threaded end portion **1648** of the second annular wall **1646** of the tubular member **1640**.

15

FIG. 17 shows an exemplary embodiment of the presently-disclosed fishing rod holder and fishing rod holder. In the exemplary embodiment shown in FIG. 17, the fishing rod holder 185 includes a tubular member 140 and a spike 160. In FIG. 17, the spike 160 is shown in a deployed configuration. The fishing rod includes a reel "R" affixed to the reel seat of the fishing rod. The fishing reel "R" can be any type of fishing reel, such as, for example, any of a variety of spinning and bait casting reels.

As shown in FIG. 17, a proximal end portion of the fishing rod is supported by the fishing rod holder 185. It is to be understood that other fishing rod configurations may be used in conjunction with the fishing rod holder 185, which may include additional, fewer, or different components than the fishing rod shown in FIG. 17.

Although exemplary embodiments have been described in detail with reference to the accompanying drawings for the purpose of illustration and description, it is to be understood that the disclosed fishing rod holders and the disclosed fishing rods including a fishing rod holder are not to be construed as limited thereby. It will be apparent to those of ordinary skill in the art that various modifications to the foregoing exemplary embodiments may be made without departing from the scope of the present invention, which is defined, not by the detailed description and embodiments, but by the appended claims and their equivalents. Further, the various features of the embodiments disclosed herein can be used alone, or in varying combinations with each other and are not intended to be limited to the specific combination described herein.

What is claimed is:

1. A fishing rod comprising:
 - a rod blank, wherein the rod blank includes an exposed proximal end portion;
 - a handle section associated with the rod blank;
 - a fishing rod holder removably attachable to a proximal portion of the handle section, the fishing rod holder including:
 - a tubular member including a first annular wall enclosing a longitudinally extending first cavity portion and a second annular wall enclosing a longitudinally extending second cavity portion; and
 - a spike detachably affixable to the tubular member; and
 - a connection mechanism configured to detachably affix the fishing rod holder to the proximal portion of the handle section, wherein the exposed proximal end portion of the rod blank extends proximally outward of the connection mechanism, wherein the connection mechanism includes a threaded tubular connector, and wherein the second annular wall includes a threaded portion configured to mate with the threaded tubular connector.
2. The fishing rod of claim 1, wherein the second cavity portion is sized and configured to receive at least a portion of the exposed proximal end portion of the rod blank therein.
3. The fishing rod of claim 2, wherein when the at least a portion of the exposed proximal end portion of the rod blank is disposed within the second cavity portion, the connection mechanism is in a disengaged configuration to freely permit removal of the fishing rod from the fishing rod holder.
4. The fishing rod of claim 1, wherein at least a portion of the spike is sized and configured to be receivable within the exposed proximal end portion of the rod blank.
5. The fishing rod of claim 1, wherein the spike includes a threaded portion, and wherein the first annular wall includes a threaded portion configured to mate with the threaded portion of the spike, and wherein the threaded

16

portion of the first annular wall includes a first open end and a second open end opposite the first open end.

6. The fishing rod of claim 5, wherein when the spike is in a stored configuration, the threaded portion of the spike is engaged with the first open end of the threaded portion of the first annular wall, and wherein when the spike is in a deployed configuration, the threaded portion of the spike is engaged with the second open end of the threaded portion of the first annular wall.

7. A fishing rod comprising:

- a rod blank;
- a handle section associated with the rod blank;
- a fishing rod holder removably attachable to a proximal portion of the handle section, the fishing rod holder including:
 - a first annular wall enclosing a longitudinally extending first cavity portion;
 - a second annular wall enclosing a longitudinally extending second cavity portion, wherein the second cavity portion is sized and configured to receive a proximal end portion of the rod blank therein; and
- a spike including a threaded portion, the spike having a stored configuration and a deployed configuration; and
- a connection mechanism configured to detachably affix the fishing rod holder to the proximal portion of the handle section, wherein the connection mechanism includes a threaded tubular connector enclosing a portion of the rod blank, and wherein when the spike is in the deployed configuration and the proximal end portion of the rod blank is disposed in the second cavity portion, the connection mechanism is in a disengaged configuration to freely permit removal of the fishing rod from the fishing rod holder.

8. The fishing rod of claim 7, wherein the connection mechanism further includes a threaded end portion of the second annular wall.

9. The fishing rod of claim 7, wherein the first annular wall includes a threaded portion configured to mate with the threaded portion of the spike, and wherein the threaded portion of the first annular wall includes a first open end and a second open end opposite the first open end.

10. The fishing rod of claim 9, wherein the threaded portion of the spike is engaged with the first open end of the threaded portion of the first annular wall when the spike is in the stored configuration, and wherein the threaded portion of the spike is engaged with the second open end of the threaded portion of the first annular wall when the spike is in the deployed configuration.

11. The fishing rod of claim 7, wherein the second annular wall fully encircles the longitudinally extending second cavity portion.

12. A fishing rod comprising:

- a rod blank;
- a handle section associated with the rod blank;
- a fishing rod holder removably attachable to a proximal portion of the handle section, the fishing rod holder including:
 - a tubular member adapted to allow insertion and removal of a proximal end portion of the rod blank therein and therefrom, wherein the tubular member includes:
 - a first threaded end portion, the first threaded end portion including a first open end and a second open end opposite the first open end; and
 - a second threaded end portion; and

a spike having a threaded portion, the spike having a stored configuration and a deployed configuration, wherein the threaded portion of the spike is engaged with the first open end of the first threaded end portion when in the stored configuration, and
5 wherein the threaded portion of the spike is engaged with the second open end of the first threaded end portion when in the deployed configuration; and
a connection mechanism configured to detachably affix the fishing rod holder to the proximal portion of the
10 handle section, wherein when the fishing rod holder is detachably affixed to the proximal portion of the handle section by the connection mechanism, at least a portion of the spike is disposed in the proximal end portion of the rod blank when the spike is in the stored configu-
15 ration.

13. The fishing rod of claim **12**, wherein the connection mechanism includes a threaded tubular connector enclosing a portion of the rod blank.

14. The fishing rod of claim **13**, wherein the connection
20 mechanism further includes the second threaded end portion.

15. The fishing rod of claim **14**, wherein the second threaded end portion is configured to mate with the threaded tubular connector.
25

* * * * *