

(19)



(11)

EP 4 261 386 A3

(12)

EUROPEAN PATENT APPLICATION

(88) Date of publication A3:
14.02.2024 Bulletin 2024/07

(51) International Patent Classification (IPC):
F42D 1/10 (2006.01) **F42D 1/12** (2006.01)
F42D 1/24 (2006.01) **C06B 23/00** (2006.01)
E21C 41/00 (2006.01) **E21B 43/263** (2006.01)
F42D 3/00 (2006.01) **E21D 9/00** (2006.01)

(43) Date of publication A2:
18.10.2023 Bulletin 2023/42

(21) Application number: **23175484.7**

(52) Cooperative Patent Classification (CPC):
E21D 9/006; F42D 1/10

(22) Date of filing: **19.02.2019**

(84) Designated Contracting States:
AL AT BE BG CH CY CZ DE DK EE ES FI FR GB GR HR HU IE IS IT LI LT LU LV MC MK MT NL NO PL PT RO RS SE SI SK SM TR

(72) Inventors:
 • **NELSON, Casey**
 Utah 84123 (US)
 • **GORDON, Lynn**
 Utah 84084 (US)
 • **HUNSAKER, Dave**
 Utah 84075 (US)
 • **HALANDER, John**
 Utah 84107 (US)

(30) Priority: **20.02.2018 US 201862632818 P**
30.11.2018 US 201862773766 P

(62) Document number(s) of the earlier application(s) in accordance with Art. 76 EPC:
19757903.0 / 3 755 967

(71) Applicant: **Dyno Nobel Inc.**
Salt Lake City, UT 84121 (US)

(74) Representative: **CSY London**
Helios Court
1 Bishop Square
Hatfield
Hertfordshire AL10 9NE (GB)

(54) **INHIBITED EMULSIONS FOR USE IN BLASTING IN REACTIVE GROUND OR UNDER HIGH TEMPERATURE CONDITIONS**

(57) Methods of delivering inhibited emulsions are provided. The methods can include mixing an emulsion with a separate inhibitor solution to form the inhibited

emulsion. Inhibitor solutions including water, an inhibitor, and a crystallization point modified are provided. Systems for delivering inhibited emulsions are also provided.

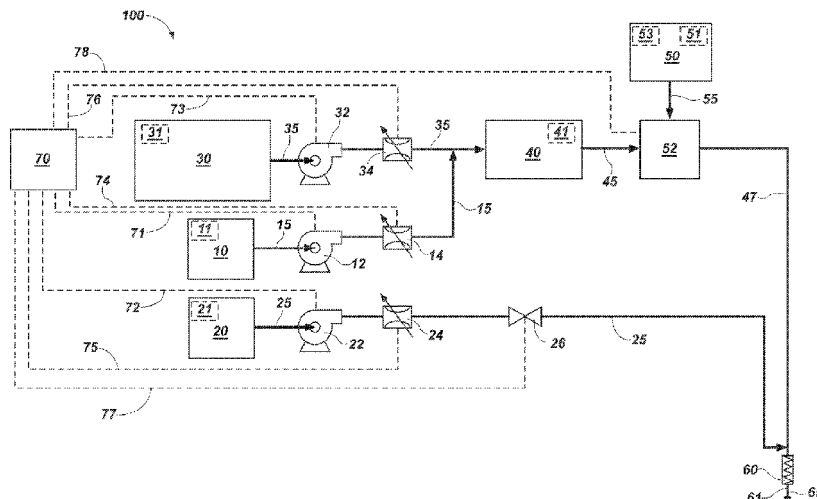


FIG. 1

EP 4 261 386 A3



EUROPEAN SEARCH REPORT

Application Number

EP 23 17 5484

5

10

15

20

25

30

35

40

45

50

55

DOCUMENTS CONSIDERED TO BE RELEVANT			
Category	Citation of document with indication, where appropriate, of relevant passages	Relevant to claim	CLASSIFICATION OF THE APPLICATION (IPC)
X	US 6 125 761 A (SMITH JR ROBERT G [US] ET AL) 3 October 2000 (2000-10-03) * abstract * * columns 3-4 *	1-14	INV. F42D1/10 F42D1/12 F42D1/24 C06B23/00
A	EP 0 895 055 A2 (DYNO NOBEL INC [US]) 3 February 1999 (1999-02-03) * abstract * * paragraphs [0007], [0008], [0010], [0014], [0016], [0018], [0019] *	6,7	E21C41/00 E21B43/263 F42D3/00 E21D9/00
A	WO 2017/035594 A1 (UNIV SYDNEY [AU]) 9 March 2017 (2017-03-09)	1-14	
			TECHNICAL FIELDS SEARCHED (IPC)
			F42D
The present search report has been drawn up for all claims			
Place of search The Hague		Date of completion of the search 22 September 2023	Examiner Menier, Renan
CATEGORY OF CITED DOCUMENTS X : particularly relevant if taken alone Y : particularly relevant if combined with another document of the same category A : technological background O : non-written disclosure P : intermediate document		T : theory or principle underlying the invention E : earlier patent document, but published on, or after the filing date D : document cited in the application L : document cited for other reasons & : member of the same patent family, corresponding document	

EPO FORM 1503 03.82 (P04C01)



Application Number

EP 23 17 5484

5

CLAIMS INCURRING FEES

The present European patent application comprised at the time of filing claims for which payment was due.

10

Only part of the claims have been paid within the prescribed time limit. The present European search report has been drawn up for those claims for which no payment was due and for those claims for which claims fees have been paid, namely claim(s):

15

No claims fees have been paid within the prescribed time limit. The present European search report has been drawn up for those claims for which no payment was due.

20

LACK OF UNITY OF INVENTION

The Search Division considers that the present European patent application does not comply with the requirements of unity of invention and relates to several inventions or groups of inventions, namely:

25

see sheet B

30

All further search fees have been paid within the fixed time limit. The present European search report has been drawn up for all claims.

35

As all searchable claims could be searched without effort justifying an additional fee, the Search Division did not invite payment of any additional fee.

40

Only part of the further search fees have been paid within the fixed time limit. The present European search report has been drawn up for those parts of the European patent application which relate to the inventions in respect of which search fees have been paid, namely claims:

45

None of the further search fees have been paid within the fixed time limit. The present European search report has been drawn up for those parts of the European patent application which relate to the invention first mentioned in the claims, namely claims:

50

1-14

55

The present supplementary European search report has been drawn up for those parts of the European patent application which relate to the invention first mentioned in the claims (Rule 164 (1) EPC).



**LACK OF UNITY OF INVENTION
SHEET B**

Application Number
EP 23 17 5484

5

The Search Division considers that the present European patent application does not comply with the requirements of unity of invention and relates to several inventions or groups of inventions, namely:

10

1. claims: 1-14

An explosives delivery system with a mixer

15

2. claim: 15

A method of blasting in reactive ground, high temperature ground, or both

20

25

30

35

40

45

50

55

ANNEX TO THE EUROPEAN SEARCH REPORT
ON EUROPEAN PATENT APPLICATION NO.

EP 23 17 5484

5 This annex lists the patent family members relating to the patent documents cited in the above-mentioned European search report.
The members are as contained in the European Patent Office EDP file on
The European Patent Office is in no way liable for these particulars which are merely given for the purpose of information.

22-09-2023

Patent document cited in search report	Publication date	Patent family member(s)	Publication date
US 6125761	A	03-10-2000	NONE

EP 0895055	A2	03-02-1999	AR 014897 A1 11-04-2001
		AT E242473 T1 15-06-2003	
		AU 751108 B2 08-08-2002	
		BR 9802555 A 03-11-1999	
		CA 2240755 A1 24-01-1999	
		CO 5031338 A1 27-04-2001	
		DE 69815223 T2 04-12-2003	
		EP 0895055 A2 03-02-1999	
		ID 20802 A 04-03-1999	
		NO 310349 B1 25-06-2001	
		PE 95999 A1 05-10-1999	
		US 5907119 A 25-05-1999	
		ZA 986204 B 30-07-1999	

WO 2017035594	A1	09-03-2017	AU 2016314774 A1 15-03-2018
		CA 2996461 A1 09-03-2017	
		CL 2018000526 A1 23-11-2018	
		CN 108349829 A 31-07-2018	
		EP 3344595 A1 11-07-2018	
		NZ 740191 A 28-07-2023	
		PE 20180763 A1 03-05-2018	
		RU 2691721 C1 17-06-2019	
		TR 201802843 T1 21-05-2018	
		US 2018244590 A1 30-08-2018	
		WO 2017035594 A1 09-03-2017	
		ZA 201801891 B 28-11-2018	
