



US011898653B2

(12) **United States Patent**
Kennedy

(10) **Patent No.:** **US 11,898,653 B2**

(45) **Date of Patent:** ***Feb. 13, 2024**

(54) **GATE VALVE**

USPC 251/326-329
See application file for complete search history.

(71) Applicant: **MCWANE, INC.**

(72) Inventor: **Paul Kennedy**, Horseheads, NY (US)

(56) **References Cited**

(73) Assignee: **MCWANE, INC.**, Birmingham, AL (US)

U.S. PATENT DOCUMENTS

(*) Notice: Subject to any disclaimer, the term of this patent is extended or adjusted under 35 U.S.C. 154(b) by 0 days.

This patent is subject to a terminal disclaimer.

| | | |
|-----------------|---------|-----------------|
| 838,479 A | 12/1906 | Tromblee |
| 2,541,968 A | 2/1951 | Laurent |
| 3,223,380 A | 12/1965 | Hochmuth et al. |
| 4,098,490 A | 7/1978 | Morrison |
| 4,230,299 A | 10/1980 | Pierce, Jr. |
| 4,373,700 A | 2/1983 | Buchta |
| 4,440,381 A | 4/1984 | Tipton, Jr. |
| 4,651,973 A | 3/1987 | Oliver |
| 6,837,479 B2 | 1/2005 | Symonds, Jr. |
| 7,249,750 B2 | 7/2007 | Zheng |
| 2006/0175572 A1 | 8/2006 | Syvvertsen |
| 2009/0095934 A1 | 4/2009 | Cain et al. |

(21) Appl. No.: **18/063,056**

(22) Filed: **Dec. 7, 2022**

Primary Examiner — John Bastianelli

(65) **Prior Publication Data**

US 2023/0108546 A1 Apr. 6, 2023

(74) *Attorney, Agent, or Firm* — Brown & Michaels, PC

Related U.S. Application Data

(63) Continuation of application No. 17/038,713, filed on Sep. 30, 2020, now Pat. No. 11,536,376.

(57) **ABSTRACT**

A gate valve includes a valve body and a valve cover. The valve body includes a first opening, a second opening, a third opening, a flow passage from the first opening to the second opening, and a gate channel from the flow passage to the third opening. The gate channel has a central longitudinal axis and a ridge defining a perimeter of the third opening. The valve cover can fit over the third opening and, under force on the valve cover, exert a clamping force on the ridge. The clamping force has a first force component perpendicular to the central longitudinal axis and a second force component parallel with the central longitudinal axis. The first force component of the clamping force is toward the gate channel. The ridge includes a first surface configured to mate with a first surface of the valve cover.

(51) **Int. Cl.**

| | |
|-------------------|-----------|
| F16K 3/02 | (2006.01) |
| F16K 27/04 | (2006.01) |
| F16K 3/12 | (2006.01) |
| F16K 27/12 | (2006.01) |

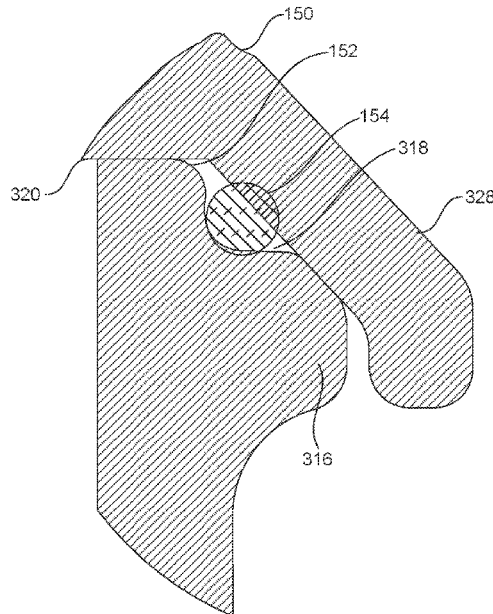
(52) **U.S. Cl.**

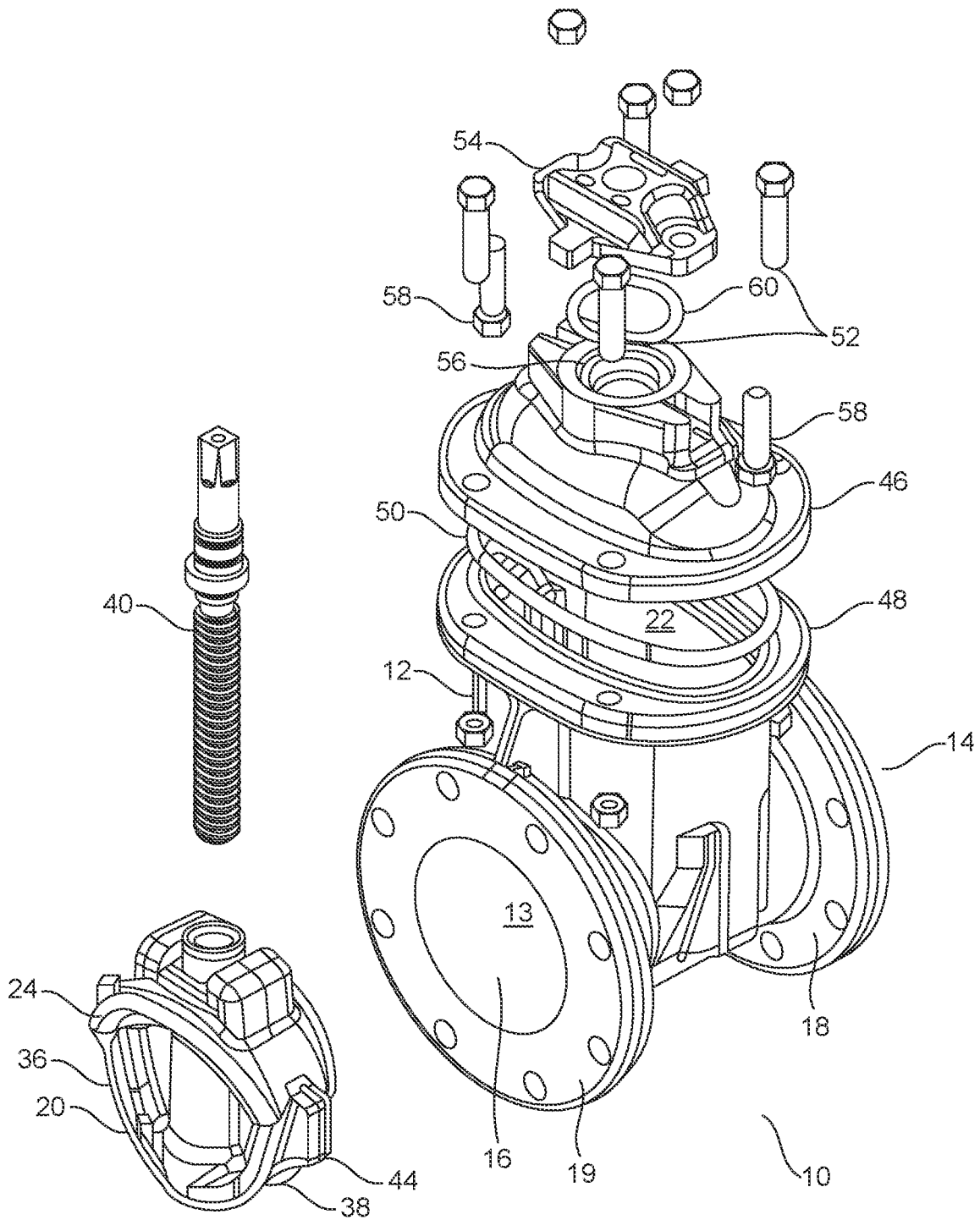
CPC **F16K 3/0227** (2013.01); **F16K 3/12** (2013.01); **F16K 27/044** (2013.01); **F16K 27/047** (2013.01); **F16K 27/12** (2013.01)

(58) **Field of Classification Search**

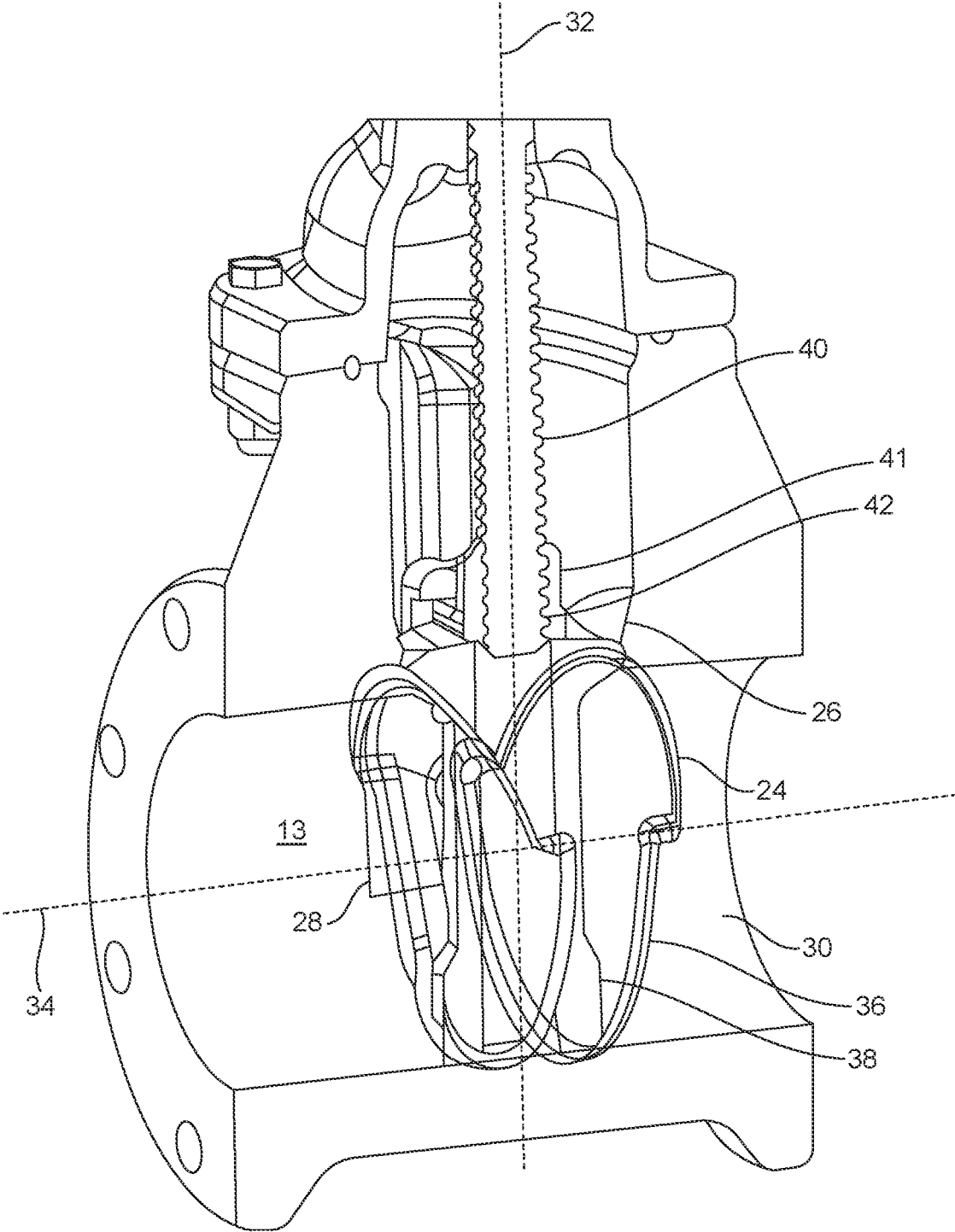
CPC F16K 3/0227; F16K 3/12; F16K 27/044; F16K 27/047; F16K 27/12

11 Claims, 13 Drawing Sheets





Prior Art
FIG. 1



Prior Art
FIG. 2

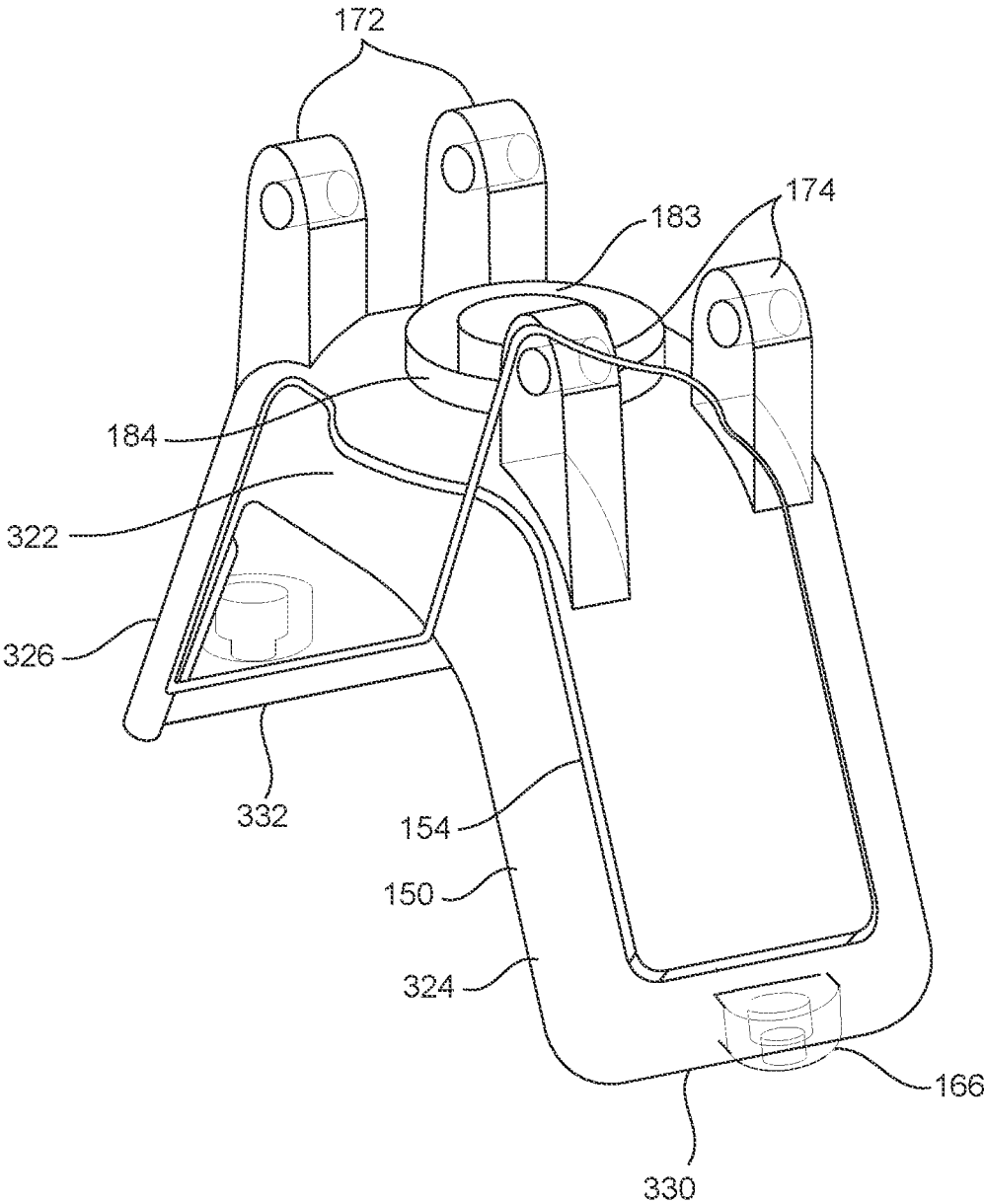


FIG. 4A

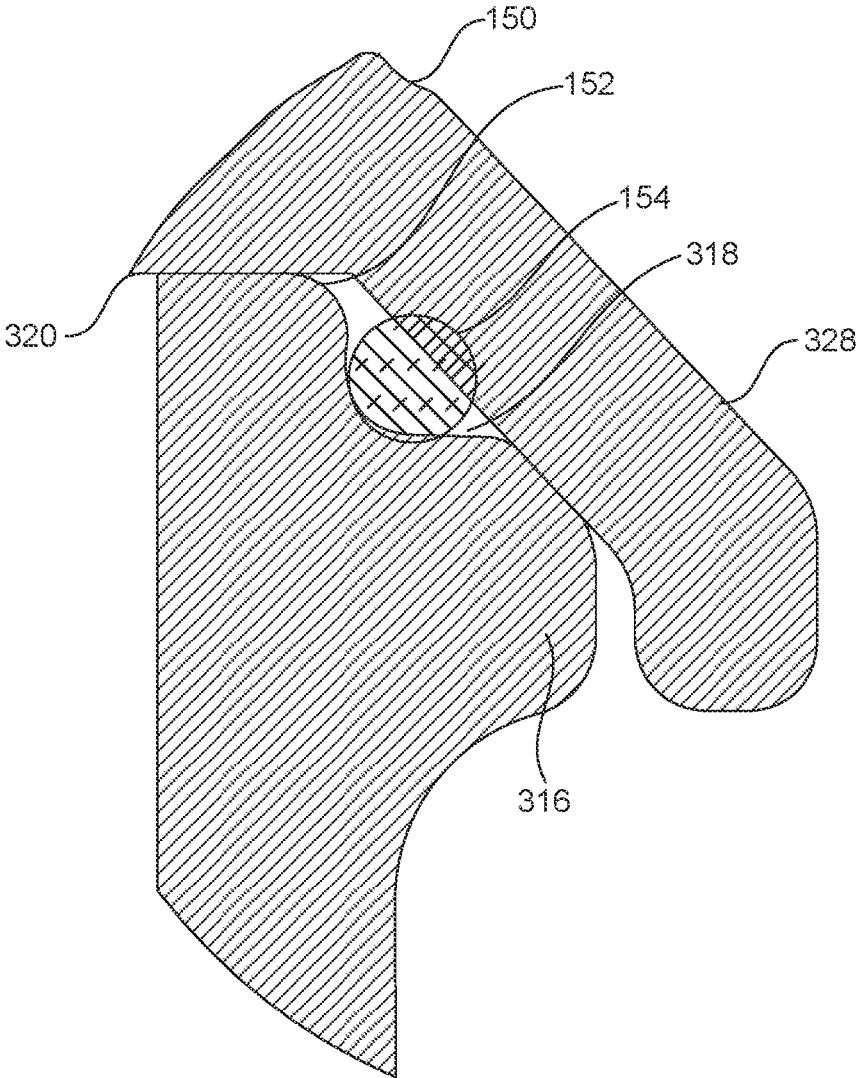


FIG. 4B

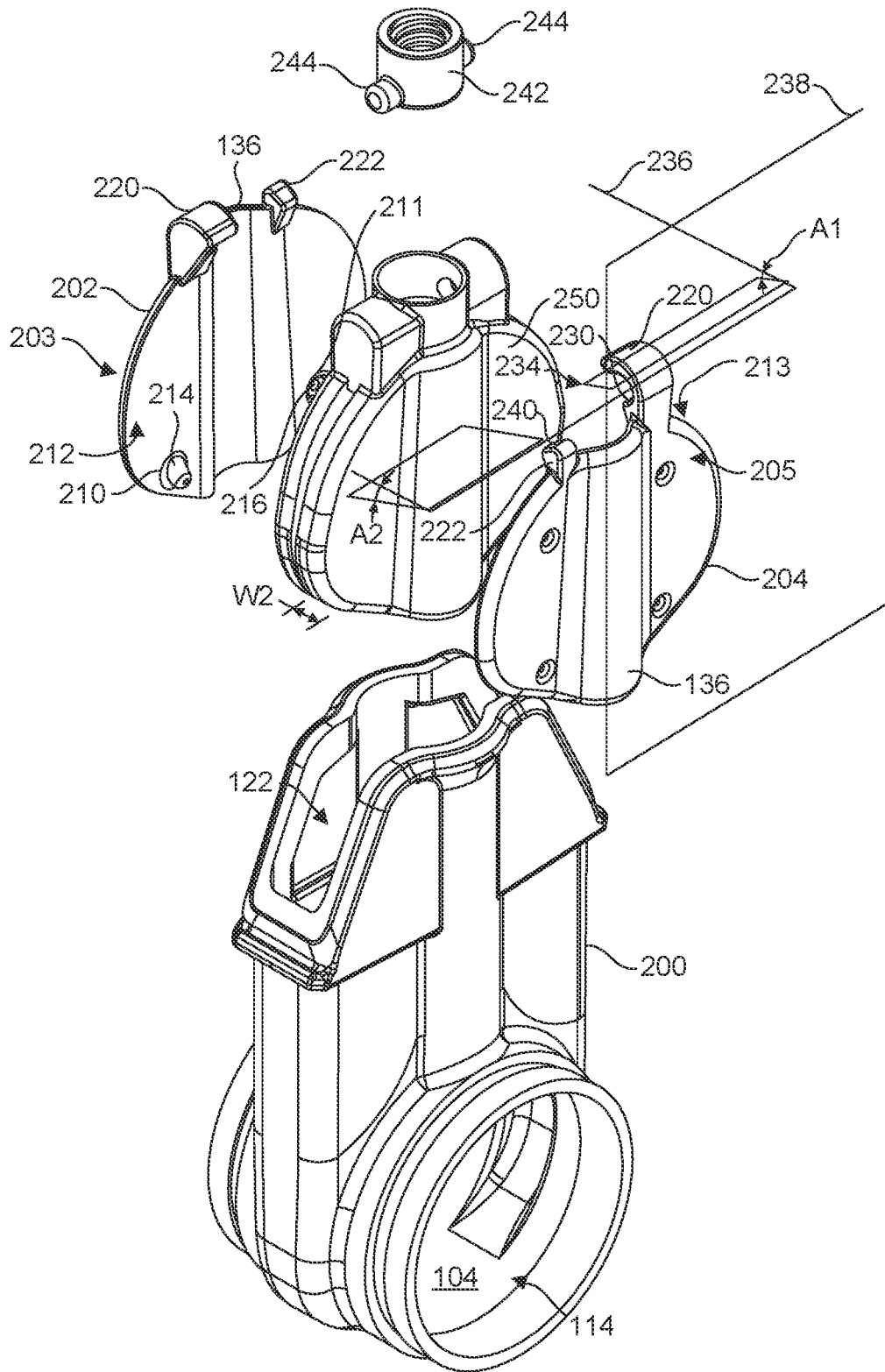


FIG. 5

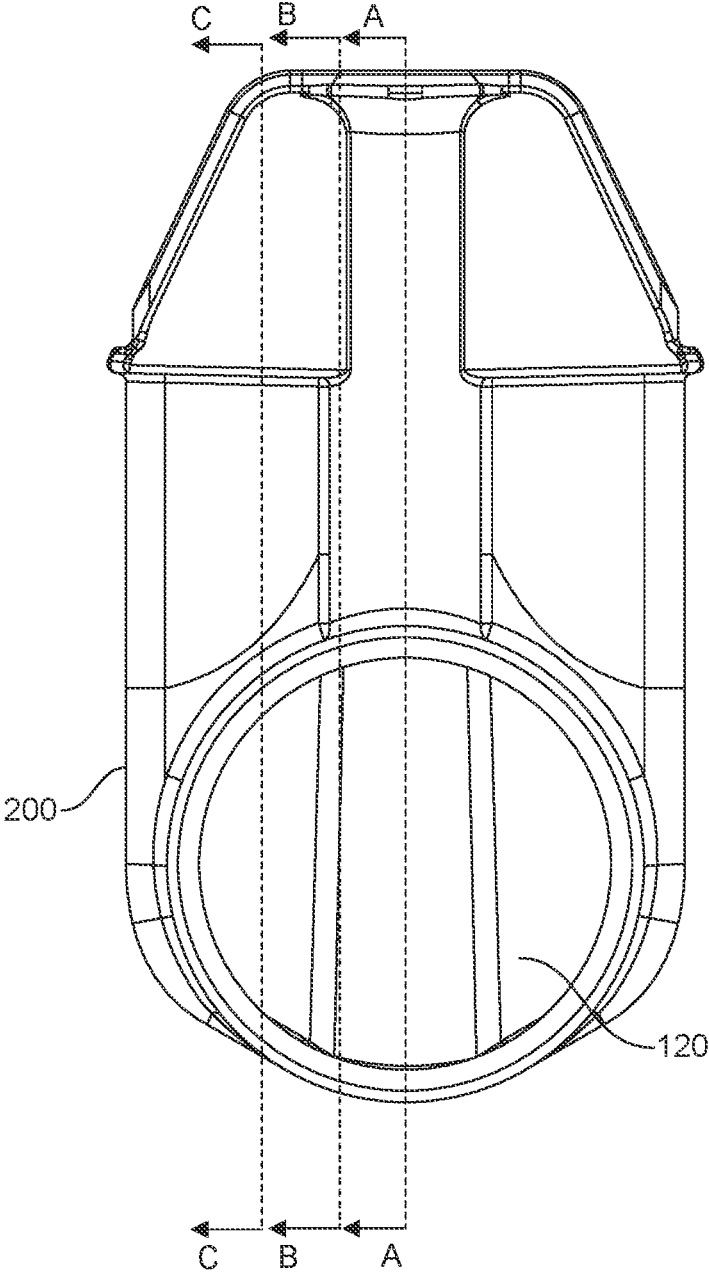


FIG. 6

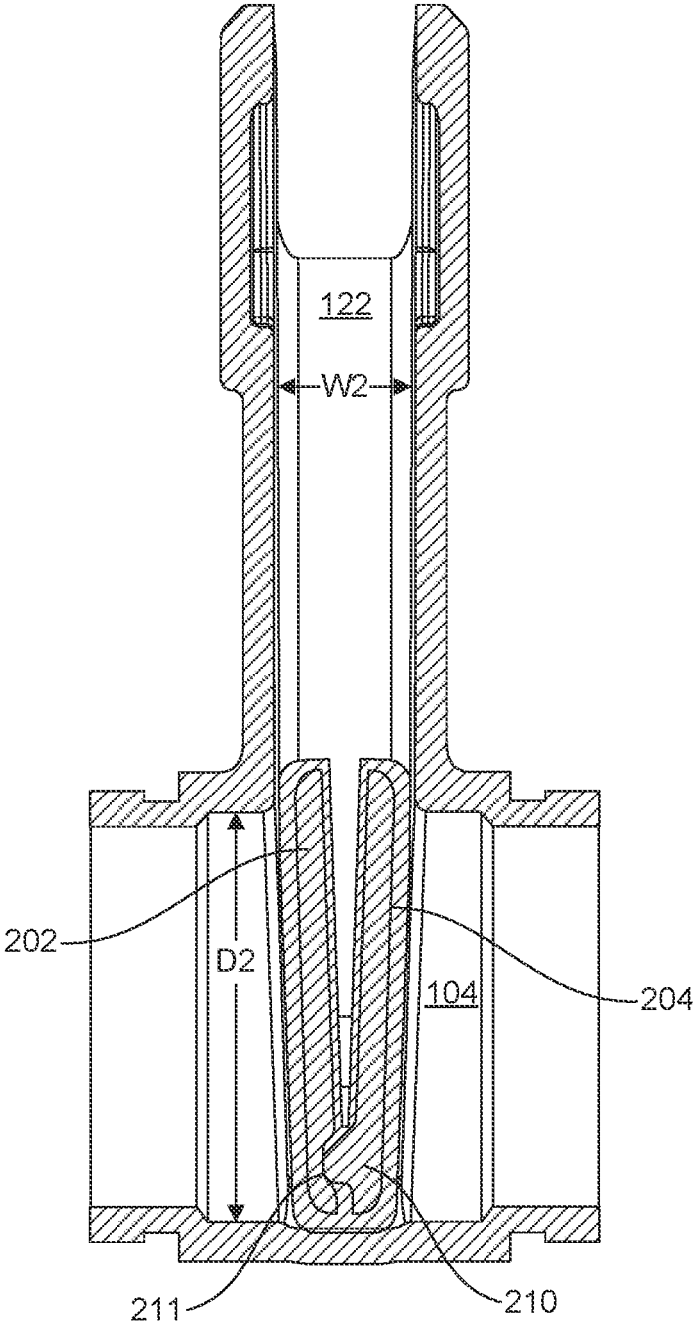


FIG. 7

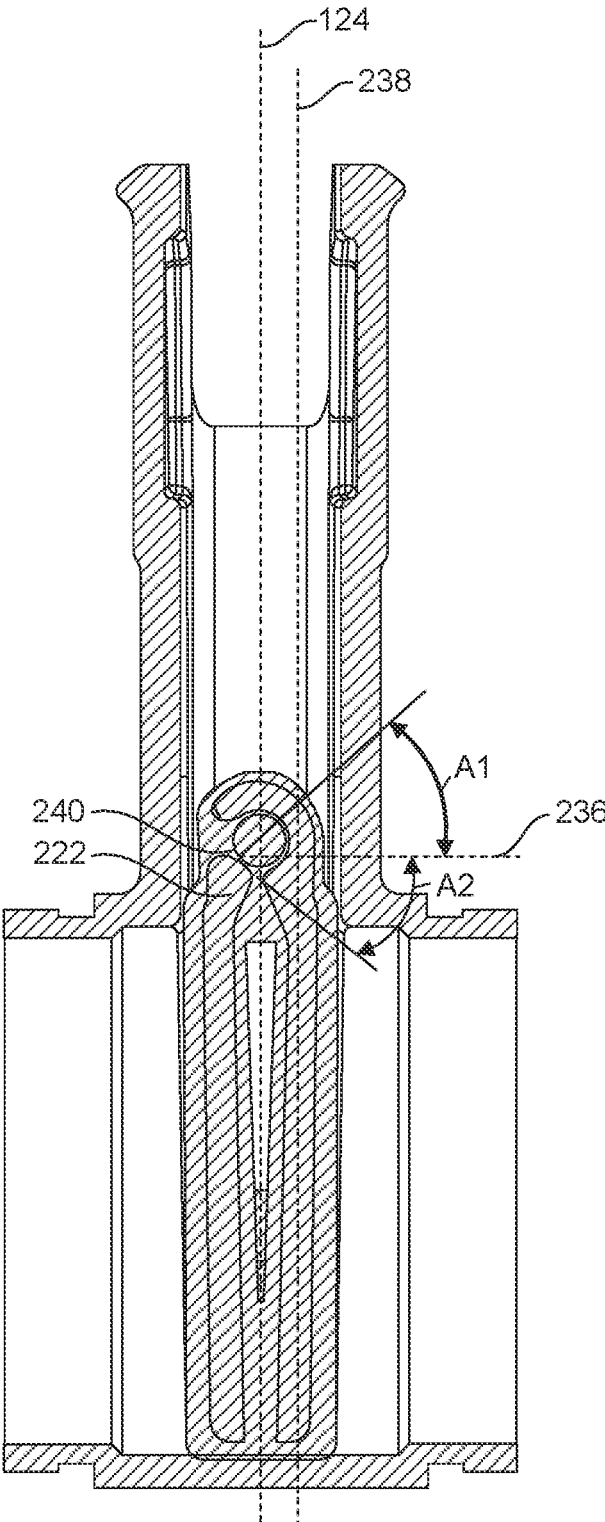


FIG. 8

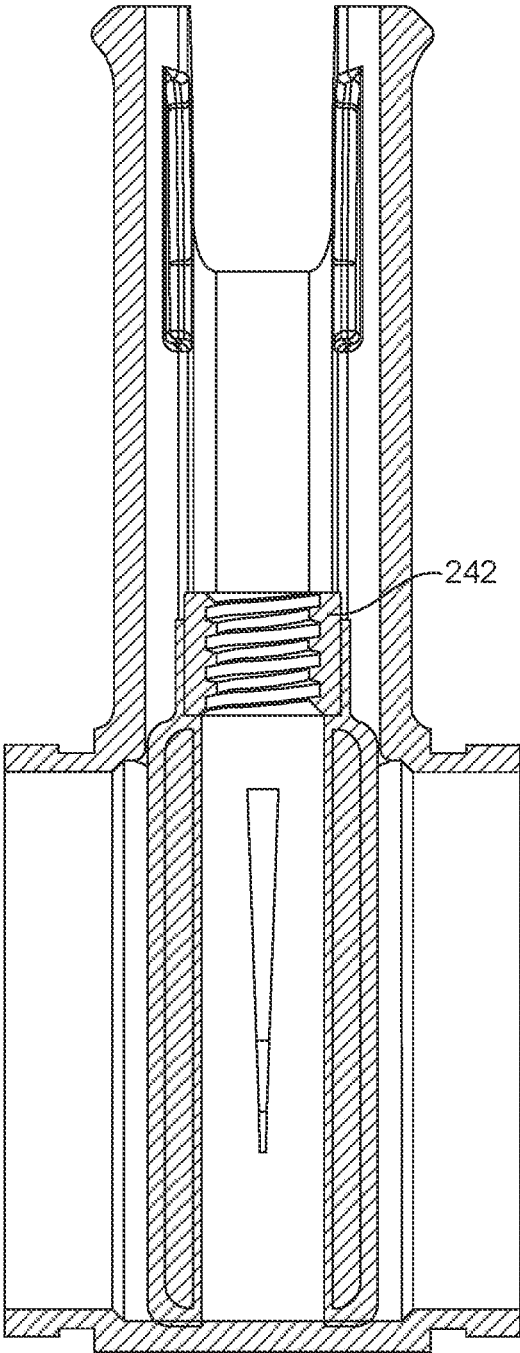


FIG. 9

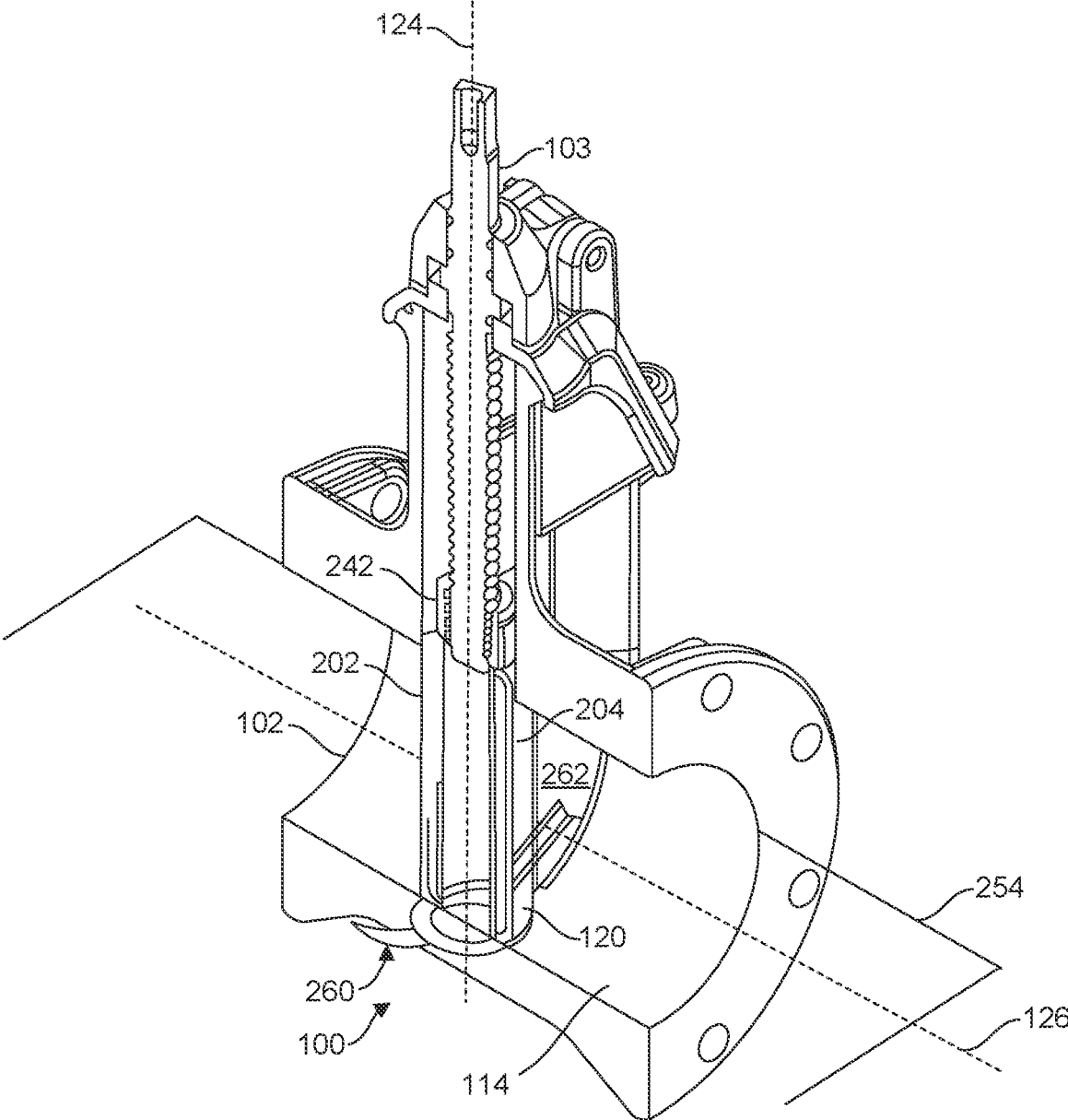


FIG. 10

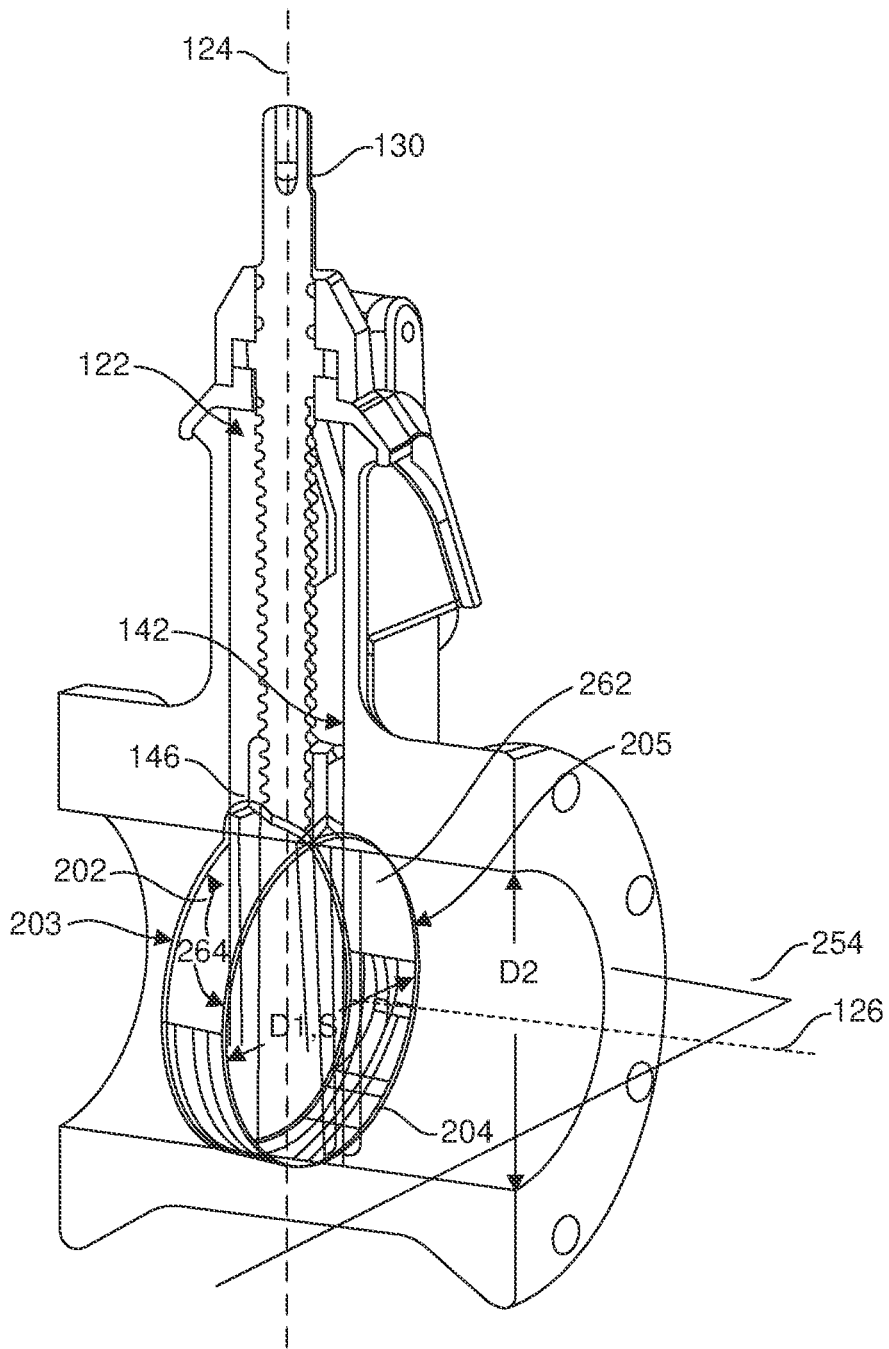


FIG. 11

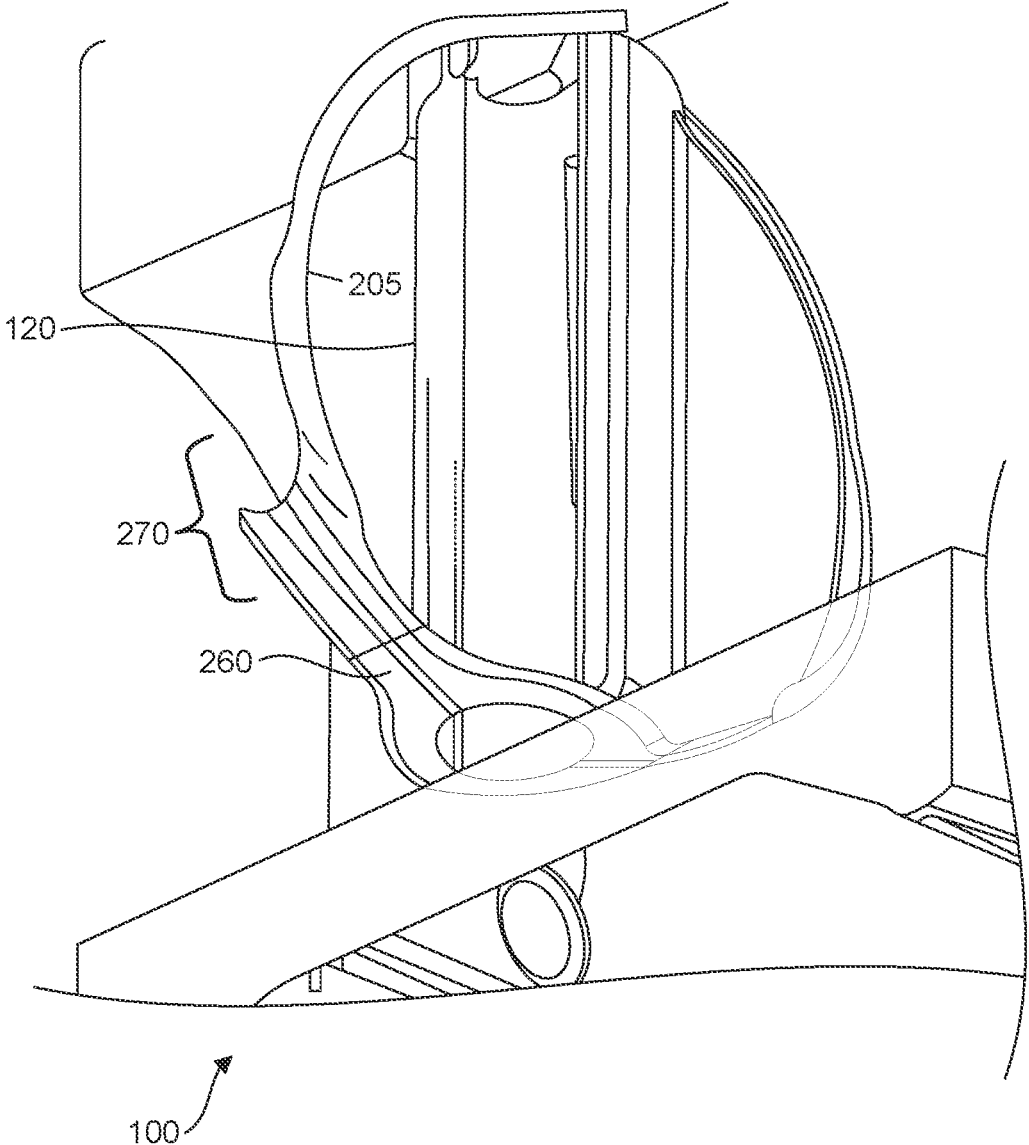


FIG. 12

1

GATE VALVE

REFERENCE TO RELATED APPLICATIONS

This application is a continuation application of copending U.S. patent application Ser. No. 17/038,713, filed Sep. 30, 2020, titled “Gate Valve”. U.S. patent application Ser. No. 17/038,713 is incorporated herein by reference.

BACKGROUND OF THE INVENTION

Field of the Invention

The invention pertains to the field of valves. More particularly, the invention pertains to wedge gate valves.

Description of Related Art

Gate valves have been used for centuries in water supply systems to control the flow of water or other fluids through pipes. For example, gate valves are often used in fire protection applications to close off water mains. Referring to FIG. 1 and FIG. 2, one such wedge gate valve 10 has a valve body 12 with a flow passage 13 between an inlet 14 and an outlet 16, and first and second flanges 18, 19 at the inlet 14 and the outlet 16. The flanges 18, 19 are used to bolt the gate valve 10 stably to other water supply system components (not shown).

A gate 20 fits in a gate channel 22 inside the valve body 12. The gate 20 can be moved into a closed position—fully into the flow passage 13 from the gate channel 22—to block water flow between the inlet 14 and the outlet 16. The gate 20 can also be moved into an open position—withdrawn somewhat from the flow passage 13 into the gate channel 22—such that water can flow through the valve body 12.

When the gate 20 is moved from the gate channel 22 to the closed position, a rigid wedge portion 24 of the gate valve 20 mates with a sealing surface 26 that extends semi-annularly from an end of the gate channel 22 into a portion of the flow passage 13. The gate channel 22 has a width to accommodate a width of the wedge portion 24 plus some additional clearance. Toward the flow passage 13, the width of the gate channel 22 narrows so that as the gate 20 moves to the closed position, the wedge portion 24 abuts and seals against the sealing surface 26. The portion of the sealing surface 26 that extends into the flow passage 13 is created by a recess or slot 28 into a perimeter surface 30 of the flow passage 13.

The recess 28 tapers into the perimeter surface 30 of the flow passage 13. At a corresponding position on the perimeter of the gate 20, which is to the gate channel side of a plane that is perpendicular to a center axis 32 of the gate channel 22 and that is parallel and intersecting with a center axis 34 of the flow passage 13, the wedge portion 24 abruptly or sharply transitions to a non-wedge portion 36. The non-wedge portion 36 can have a constant width. A radially outward-facing surface 38 of the non-wedge portion 36 abuts against the perimeter surface 30 of the flow passage 13 in the closed position to seal the flow passage 13. A width of the rigid wedge portion 24 drives a width of the gate channel 22, which must be sized larger than the width of the non-wedge portion 36 to accommodate the larger width of the wedge portion 24. In turn, the size of the wedge portion 24 and the gate channel 22 affect the size of other parts and the overall size and weight of the gate valve 10. Further, with the sharp transition from wedge portion 24 to non-wedge

2

portion 36, the parts must be manufactured with relatively tight dimensional tolerances in order to yield a reliable and consistent seal.

The gate 20 is connected to a stem 40 at a first end 42 of the stem 40, which is moved along the center axis 32 of the stem 40 to move the gate 20 between the open and closed positions. The stem 40 can be partly or fully threaded. The gate 20 can be connected to the first end 42 by a collar or swivel 41, which is internally threaded to engage the threaded portion of the stem 40, allowing the stem 40 to rotate and drive the gate 20 linearly along the center axis 32 while the gate channel 22 and wings 44 engaging a corresponding channel (not shown) in the recess 28 of the gate 20 prevent the gate 20 from rotating. In various embodiments, rotation of the stem 40 can be driven manually or automatically.

The stem 40 extends away from the flow passage 13 and the gate 20 through the gate channel 22 to and through a valve cover 46, which is mounted on a third flange 48 at the gate channel 22. A seal 50 is compressed between a flat surface of the valve cover 46 and the third flange 48. The size of the third flange 48, which adds additional weight itself to the wedge gate valve 10, is sized large enough to accommodate the size of the gate channel 22 and wedge portion 24. Due to the size and weight of the wedge gate valve 10, four or more bolts 52 are required to secure the valve cover 46 to the flange 48.

A seal plate 54 is bolted to the valve cover 46 to cover and seal an opening 56 in the valve cover 46 over the stem 40. Bolts 58 are used to secure the seal plate 54 and to compress a seal element 60 between the seal plate 54 and the valve cover 46 to facilitate making a fluid-tight seal there.

SUMMARY OF THE INVENTION

A wedge gate valve is disclosed herein that, compared to conventional wedge gate valves, has a reduced size and weight, improved structural strength, and improved sealing functionality.

In an embodiment, gate valve including a valve body and a valve cover. The valve body includes a first opening, a second opening, a third opening, a flow passage from the first opening to the second opening, and a gate channel from the flow passage to the third opening, the gate channel having a central longitudinal axis and a ridge defining a perimeter of the opening. The valve cover is configured to fit over the third opening and, as a result of force parallel to the central longitudinal axis on the valve cover toward the valve body, the valve cover exerting a clamping force on the ridge, the clamping force having a first force component perpendicular to the central longitudinal axis and a second force component parallel with the central longitudinal axis.

In an embodiment, a valve cover for a gate valve includes a first mating surface, a first clamping section, and a second clamping section. The first mating surface is configured to extend over a gate channel opening of the gate valve. The first clamping section extends at a first non-parallel angle from a first side of the first mating surface. The second clamping section extends at a second non-parallel angle from a second side of the first mating surface, the second side of the first mating surface being opposite the first side of the first mating surface.

BRIEF DESCRIPTION OF THE DRAWING

FIG. 1 shows an exploded view of a gate valve according to a conventional embodiment.

FIG. 2 shows a partial section of a gate valve, with a transparent view of a gate, and with sealing surfaces of the gate highlighted, according to the conventional embodiment of FIG. 1.

FIG. 3 shows a perspective view of a disassembled wedge gate valve, according to an embodiment.

FIG. 4A shows a valve cover and seal.

FIG. 4B shows a cross section of a portion of the valve cover and seal of FIG. 4A assembled on a ridge defining an opening of a gate channel.

FIG. 5 shows a disassembled wedge gate valve and disassembled gate, according to an embodiment.

FIG. 6 shows a front view of the wedge gate valve of FIG. 4A, with the wedge gate in a gate valve body.

FIG. 7 shows a cross sectional side view of the wedge gate valve of FIG. 6.

FIG. 8 shows a cross sectional side view of the wedge gate valve of FIG. 6.

FIG. 9 shows a cross sectional side view of the wedge gate valve of FIG. 6.

FIG. 10 shows a cut away perspective view of the wedge gate valve of FIG. 3, with a radially facing surface sealing against a perimeter surface of a flow passage, the sealing of the radially facing surface highlighted.

FIG. 11 shows a cut away perspective view of the wedge gate valve of FIG. 3, with the gate wedged axially to form a seal between axially facing surfaces of the gate and the gate valve body, the seal highlighted.

FIG. 12 shows a cut away perspective view of the wedge gate valve of FIG. 3, with the gate in a closed position, and the seal transition between a radially facing surface of the gate and an axially facing surface of the gate, the seal transition highlighted.

DETAILED DESCRIPTION OF THE INVENTION

In the following description, reference is made to the accompanying drawings that form a part thereof, and in which is shown by way of illustration specific example embodiments in which the present teachings may be practiced. These embodiments are described in sufficient detail to enable those skilled in the art to practice the present teachings and it is to be understood that other embodiments may be utilized and that changes may be made without departing from the scope of the present teachings. The following description is, therefore, merely exemplary.

The terminology used herein is for the purpose of describing particular example embodiments only and is not intended to be limiting. As used herein, the singular forms “a”, “an”, and “the” may be intended to include the plural forms as well, unless the context clearly indicates otherwise. The terms “comprises,” “comprising,” “including,” and “having,” are inclusive and therefore specify the presence of stated features, integers, steps, operations, elements, and/or components, but do not preclude the presence or addition of one or more other features, integers, steps, operations, elements, components, and/or groups thereof. The method steps, processes, and operations described herein are not to be construed as necessarily requiring their performance in the particular order discussed or illustrated, unless specifically identified as an order of performance. It is also to be understood that additional or alternative steps may be employed.

When an element or layer is referred to as being “on”, “engaged to”, “connected to” or “coupled to” another element or layer, it may be directly on, engaged, connected or

coupled to the other element or layer, or intervening elements or layers may be present. In contrast, when an element is referred to as being “directly on,” “directly engaged to”, “directly connected to” or “directly coupled to” another element or layer, there may be no intervening elements or layers present. Other words used to describe the relationship between elements should be interpreted in a like fashion (e.g., “between” versus “directly between,” “adjacent” versus “directly adjacent,” etc.). As used herein, the term “and/or” includes any and all combinations of one or more of the associated listed items.

Spatially relative terms, such as “inner,” “outer,” “beneath”, “below”, “lower”, “above”, “upper” and the like, may be used herein for ease of description to describe one element or feature’s relationship to another element(s) or feature(s) as illustrated in the figures. Spatially relative terms may be intended to encompass different orientations of the device in use or operation in addition to the orientation depicted in the figures. For example, if the device in the figures is turned over, elements described as “below” or “beneath” other elements or features would then be oriented “above” the other elements or features. Thus, the example term “below” can encompass both an orientation of above and below. The device may be otherwise oriented (rotated 90 degrees or at other orientations) and the spatially relative descriptors used herein interpreted accordingly.

Embodiments of a wedge gate valve are disclosed herein that utilize a flexible wedge gate design providing a reduced size and weight of the wedge gate valve, and an improved sealing function of the gate in a closed position. FIG. 3 shows a perspective view of a disassembled wedge gate valve 100, according to an embodiment. Referring to FIG. 3, the wedge gate valve 100 has a valve body 102 with a flow passage 104 between an inlet 106 and an outlet 108, and first and second flanges 110, 112 at the inlet 106 and the outlet 108. The flanges 106, 108 are used to bolt the gate valve 100 to other water supply system components (not shown). Fluid can flow through the flow passage 104, which is defined by a cylindrical, radially inward-facing perimeter surface 114.

Fluid flow through the flow passage 104 can be regulated by moving a gate 120 between an open position and a closed position. In FIG. 3, the gate 120 is shown outside the valve body 102, but the gate 120 is configured to be inside the valve body 102 and moved in a gate channel 122 between the open and closed positions. The gate channel 122 intersects the flow passage 104. In the depicted embodiments, the gate channel 122 and a center axis 124 of the gate channel 122 are perpendicular to the flow channel 104 and a center axis 126 of the flow channel 104, but it is conceived that the flow channel 104 can intersect the gate channel 122 at any angle. As discussed further herein below, the gate channel 122 has a smaller width and weight than conventional wedge gate valves.

In the closed position, the gate 120 is positioned as far as it will go into the flow passage 104, to seal off the flow passage 104. In the closed position, some of the gate 120 can also still extend out of the flow passage 104 into the gate channel 122. In an open position, the gate 120 is moved toward the gate channel 122, away from the closed position, or in other words, withdrawn somewhat from the flow passage 104 into the gate channel 122, enough to eliminate the sealing of the flow passage 104 and allow fluid to flow through the flow passage 104. In a fully open position, the gate 120 is moved as far as it will go into the gate channel 122 and out of the flow passage 104, or entirely out of the flow passage 104.

To move the gate 120 between the fully open position and the closed position, the gate 120 can be connected to a stem 130, such that rotation of the stem 130 moves the gate 120. When the gate 120 is in the valve body 102, the stem 130 can extend from the gate 120 through the gate channel 122, and through an opening 132 of the gate channel 122 at an end of the gate channel 122 opposite the intersection of the gate channel 122 with the flow passage 104. In the depicted embodiment, the stem 130 has a threaded portion 134 configured to engage a threaded portion 135 of the gate 120, such that as a result of rotation of the stem 130, the gate channel 122 prevents the gate 120 from rotating with the stem 130, and the gate 120 is threaded linearly along the threaded portion 134.

To facilitate the smooth movement of the gate 120 in the gate channel 122, the gate 120 can have a center guide 136, which is a convex ridge extending across a first side 138 of the gate 120 along a diameter D1 of the gate 120. The center guide 136 can be congruent with a concave slot 140 extending along a center of a first side wall 142 of the gate channel 122. A second side 144 of the gate 120 opposite the first side 138 can also have a center guide, and a second side wall 146 of the gate channel 122 opposite the first side wall 142 can also have a concave slot. The gate channel 122 is also defined by a third side wall 148 and a fourth side wall 149 opposite the third side wall 148. The third and fourth side walls 148, 149 are between the first and second sidewalls 142, 146. The distance between the first and second side walls 142, 146 (i.e., across the third and fourth sidewalls 148, 149) defines a width W1 of the gate channel 122, which is shorter than the distance between the third and fourth side walls 148, 149 (i.e., across the first and second side walls 142, 146). The convex ridge(s) and the concave slot(s) can have uniform curvature across their respective lengths to facilitate sliding of the convex ridge(s) within or against the concave slot(s).

With the center guide 136 and concave slot 140, side rails or wings extending from a circumferential side 151 of the gate 120 are unnecessary. The circumferential side 151 defines a circumference C, a first circumferential endpoint CE1, a second circumferential endpoint CE2, and two circumferential midpoints CM1, CM2, the first circumferential endpoint CE1 being at an intersection of the diameter D1 and the circumference C, the second circumferential endpoint CE2 being at an intersection of the diameter D1 and the circumference C, the first and second circumferential midpoints CM1, CM2 each being half way between the first and second circumferential endpoints, the circumferential side extending in a continuous curve through the circumferential midpoints CM1, CM2. The circumferential side 151 defines the radially outermost surface of the gate 120 at the first and second circumferential midpoints CM1, CM2. In other words, no rails or wings protruding from the circumferential side 151 of the gate 120 are necessary.

The opening 132 of the gate channel 122 can be covered with a valve cover 150. The valve cover 150 is shaped and sized to fit and mate with a ridge 152 defining the opening 132. A seal 154 can also be sized and shaped to fit on the ridge 152, and to be sandwiched between the ridge 152 and the valve cover 150. FIG. 4A shows a semi-transparent perspective view of the valve cover 150 revealing the seal 154 installed on the valve cover 150, and FIG. 4B shows a cross section of a portion of the valve cover 150 and the seal 154 of FIG. 4A assembled on the ridge 152. Referring to FIGS. 3, 4A, and 4B, the ridge 152 exists in multiple planes. A first section 302 of the ridge 152 and a second section 304 discontinuous with the first section 302 each extend in a first

plane. A third section 308 extends in a second plane angled toward the axis 126 from the first plane. The third section 308 connects the first section 302 and the second section 304. Similarly, a fourth section 312 extends in a third plane also angled toward the axis 126. The fourth section 312 also connects the first section 302 and the second section 304. Along each of the sections 302, 304, 308, 312, as seen in FIG. 4B, the ridge 152 includes a lip 316, defining a seal channel 318 around the perimeter of the ridge 152.

The valve cover 150 has a corresponding shape, with a first mating surface 320 to mate with the ridge 152 along the first section 302, the second section 304, the third section 308, and the fourth section 312. The valve cover 150 has a first section 322 configured to cover the first section 302 and the second section 304 of the ridge 352, a second section 324 angled similar to the third section 308 of the ridge 152 to cover the third section 308 of the ridge 152, and a third section 326 angled similar to the fourth section 312 of the ridge 152 to cover the fourth section 312 of the ridge 152. The valve cover 150 also has a clamping extension 328 extending at an angle from parallel with the first mating surface 320. The clamping section 328 is on two opposing sides of the first section 322, the second section 324, and the third section 326 of the valve cover 150, such that pressing the valve cover 150 onto the ridge 152 creates force components on the lip 316 and the seal 154 perpendicular to the axis 124 of the gate channel 22, in addition to the force component acting parallel to the axis 124 of the gate channel 22. Configure the angle to be 45 degrees yields equal force components, though the angle can be any desirable number of degrees. At an end 330 of the second section 324 of the valve cover 150, and at an end 332 of the third section 326 of the valve cover 150, the clamping section 328 can be omitted, and a force component acting perpendicular to the axis 124 of the gate channel 22 can still be achieved because the second section 324 and the third section 326 are at an angle non-perpendicular with the axis 124 of the gate channel 22. The second and third sections 324, 326 can match the angle of the clamping section 328 with respect to the first mating surface 320. Securing the valve cover 150 with force components in directions parallel and perpendicular to the axis 124 of the gate channel 22 decreases the quantity of bolts necessary to secure the valve cover 150, facilitating improved structural strength, a better seal, and easier assembly/disassembly.

Referring again to FIG. 3, on the third side wall 148 of the gate channel 122 and the fourth side wall 149 opposite the third side wall 148 are a first bolt flange 160 and a second bolt flange 162. The first bolt flange 160 is just large enough for one bolt hole to extend therethrough, and the first bolt flange 160 is contained on just the third side wall 156, though it is conceived that the first bolt flange 160 can extend onto the first side wall 142 and/or the second side wall 146. Minimizing the first bolt flange 160 reduces size, weight, and material. Similarly, the second bolt flange 162 is just large enough for one bolt hole to extend therethrough, and the second bolt flange 162 is contained on just the fourth side wall 158, though it is conceived that the second bolt flange 162 can extend onto the first side wall 142 and/or the second side wall 146. Minimizing the second bolt flange 162 reduces size, weight, and material.

Corresponding bolt flanges 164, 166 are positioned on the valve cover 150, and bolts 164 can extend through the pair of bolt flanges 160, 164 and through the pair of bolt flanges 162, 166 to secure the valve cover 150 to the valve body 102. Facilitated by the reduced size and weight of the wedge gate valve 100 over conventional wedge gate valves, as well as

the clamping force of the top cover **150** on the valve body **102**, no more than two bolts are necessary to secure the top cover **150** to the valve body **102**.

A valve cover cap **170** is attached to the valve cover **150**. The valve cover **150** has a first pair of pin flanges **172** and a second pair of pin flanges **174**. The valve cover cap **170** can have a body portion **171** (e.g., cylindrical), from which a first pin flange **176** and a second pin flange **178** extend radially outward. Each pin flange **176**, **178** can have a pin hole with an axis oriented perpendicular to a center axis of the valve cover cap **170** (e.g., axis **124** in FIG. 3). A first pin **180** can be inserted through the first pair of pin flanges **172** of the valve cover **150** and the first pin flange **176** of the valve cover cap **170**. A second pin **181** can be inserted through the second pair of pin flanges **174** of the valve cover **150** and the second pin flange **178** of the valve cover cap **170**.

A seal element or gasket **182** can seal between the valve cover **150** and the valve cover cap **170**. The valve cover **150** has a first sealing surface **183** sized and shaped to mate with the gasket **182**. The valve cover **150** also has a second sealing surface **184** rising from the first sealing surface **183**. The second sealing surface **184** is configured to extend through the gasket **182** and contact or seal against a radially inwardly facing surface **185** of the gasket **182** surface.

The valve cover cap **170** has a hollow interior, with a sealing surface **186** also sized and shaped to mate with the gasket **182**, such that the valve cover cap **170** can be fitted over and around the second sealing surface **184** onto the gasket **182**, and pushed downward to compress the gasket **182** between the first sealing surface **183** of the valve cover **150** and the sealing surface **186** of the valve cover cap **170**. Then the first pin **180** and the second pin **181** can be assembled to secure the valve cover cap **170** to the valve cover **150**. Assembly and disassembly with the pins requires less effort than assembly and disassembly with the conventional bolts.

FIG. 5 shows a perspective view of a gate valve body **200**, according to an embodiment, and a perspective view of the gate **120** fully assembled and exploded. FIG. 6 shows a front view of the gate valve body **200**, with the gate **120** in the gate valve body **200**. FIGS. 7, 8, and 9 show cross sectional side views of the gate valve body and gate **120** along section lines C, B, and A, respectively. Referring to FIGS. 5-9, the gate valve body **200** is identical to the gate valve body **102**, with the exception that the gate valve body **200** omits the first and second flanges **110**, **112** of the gate valve body **102**. All other features of the gate valve body **200** are referenced and labeled the same as the gate valve body **102**.

The gate **120** includes a first body portion **202** and a second body portion **204**, that are configured to connect and be held together or wedged apart, pivoting apart like a clamshell. The first body portion **202** and the second body portion **204** can each have a shape to match and seal the flow passage **104**, which is generally like a disc with the center guide **136**. The first body portion **202** has an exterior surface **203**, on the second side **144** of the gate **120**, facing away from the second body portion **204**. The second body portion **204** has an exterior surface **205**, on the first side **138** of the gate **120**, facing away from the first body portion **202**. The first body portion **202** and the second body portion **204** are configured to be pivoted to a position wherein the exterior surface **203** of the first body portion **202** and the exterior surface **205** of the second body portion **204** are substantially parallel. In this position, a maximum width **W2** of the gate **120**, excluding the center guide **136**, is substantially uniform across the entire diameter **D1** of the disc. The maximum

width **W2** is smaller than that of conventional gates by at least the extra width of the wedge portion in conventional gates. Accordingly, the gate channel **122** is that much smaller as well, because the width **W1** of the gate channel **122** can be minimally larger than the width **W1**, and can be constant across a length extending from an intersection of the flow passage **104** and the gate channel **122** away from the flow passage **104**. In some embodiments, the width **W1** can taper over the length to the intersection of the flow passage **104** and the gate channel **122** at an angle less than five degrees, less than four degrees, less than three degrees, less than two degrees, or less than one degree. The smaller resulting maximum value for the width **W1** translates to a significant reduction in material and weight of the gate valve **102**.

A first pivot connection element **210** and a second pivot connection element **211** are on an inside surface **212** of the first body portion **202** and on an inside surface **213** of the second body portion **204** near, adjacent, or at a perimeter of the disc, with the center guide **136** between the first pivot connection element **210** and the second pivot connection element **211**. To facilitate making the first body portion **202** and the second body portion **204** identical, one of first and second pivot connection elements **210**, **211** can be “male” and the other can be “female”. In particular, one of the first and second pivot connection elements **210**, **211** on the first body portion **202** can have a protruding portion **214** that is angled or arched to fit in a receptacle **216** of the other on the second body portion **204**, and to facilitate pivoting of the first body portion **202** with respect to the second body portion **204**. Alternatively, the first and second pivot connection elements **210**, **211** of the first body portion **202** can be identical—either male or female, and then matching pivot connection elements on the second body portion **204** can be identical—the other of male or female. Two pivot connection elements are depicted on each body portion, **202**, **204**, and symmetrically placed on either side of the center guide **136**, to facilitate stable pivoting. More or less pivot connection elements **210**, **211** can be included, though.

The pivoting is facilitated by a first wedging element **220** and a second wedging element **222**. Each of the first body portion **202** and the second body portion **204** include the first wedging element **220** and the second wedging element **222**. The first wedging element **220** and the second wedging element **222** extend from the perimeter of the disc at a location diametrically opposed to the location of the first and second pivot connection elements **210**, **211**, adjacent the center guide **136**, with the center guide **136** between the first wedging element **220** and the second wedging element **222**. The first wedging element **220** includes a first wedging surface **230** and a hook **232**. Referencing the second body portion **204** as an example, the first wedging surface **230** and the hook **232** together define a slot **234** oriented at an angle **A1** between 0 and 90 degrees toward the first body portion **202** from a plane **236** perpendicular to a plane **238** of the disc shape of the second body portion **204**. The first wedging surface **230** is approximately equal to the angle **A1**. Here, “approximately” can mean plus or minus anywhere from 10 degrees, to plus or minus 0.1 degrees. The angle **A1** can also be between 15 and 75 degrees, 30 and 60 degrees, or another range, such that pressure against the first wedging surface **230** parallel to the center axis **124** of the gate channel **122** forces the second body portion **204** to pivot apart from the first body portion **202**. Axial pressure against the hook **232** from within the slot **234** draws the second body portion **204** pivotably toward the first body portion **202**.

The second wedging element 222 includes a second wedging surface 240. Still referencing the second body portion 204 as an example, the second wedging surface faces at an angle A2 between 0 and 90 degrees from radially outward toward the plane 238 of the disc shape of the second body portion 204. The angle A2 can also be between 15 and 75 degrees, 30 and 60 degrees, or another range, such that pressure against the second wedging surface 230 in a direction parallel to the center axis 124 of the gate channel 122 forces the second body portion 204 to pivot apart from the first body portion 202.

To facilitate symmetrical forces driving movement between the open and closed positions of the gate valve 100, and to facilitate making the first and second body portions 202, 204 identical, each of the first body portion 202 and the second body portion 204 can have the first wedging element 220 and the second wedging element 222, as illustrated in the figures, though other numbers and arrangements of the first and second wedging elements 220, 222 are conceived.

Pressure is applied to the first wedging surface 230, the hook 232, and the second wedging surface 240 by rotating the stem 130, which as discussed above, engages the threaded portion 135 of the gate 120, such that the gate 120 is threaded linearly along the threaded portion 134 of the stem 130. The threaded portion of the gate 120 is part of a threaded collar 242 configured to be positioned between the first and second wedging elements 220, 222 of each of the first body portion 202 and the second body portion 204. The collar 242 includes two wedge pins 244, which each extend into one of the respective slots 234. The first and second body portions 202, 204 are biased toward each other at the first and second wedging elements 220, 222 such that as the collar 242 is moved along the threaded portion 134 of the stem 130 toward the center of the first and second body portions 202, 204, if there is no other force on the gate, then the first body portion 202 and the second body portion 204 move with the collar 242. If there is another resistive force against movement of the first and second body portions 202, 204, though, such as occurs when the first and second body portions 202, 204 are pushed into the perimeter surface 114 of the flow passage 104, then the collar 242 continues to move axially a distance relative to the first and second body portions 202, 204, and the wedge pins 244 press against the first and second wedging surfaces 230, 240, thereby pivotably wedging apart the first and second body portions 202, 204. FIGS. 6-9 show the gate 120 in the closed position, with the first body portion 202 and the second body portion 204 wedged apart from each other at the first and second wedging elements 220, 222.

Moving the collar 242 in the opposite direction, toward the valve cover 170, presses the wedge pins 244 against the hook 232, which combined with the bias of the first and second body portions 202, 204 toward each other, draws the first and second body portions 202, 204 toward each other if there is room for the first and second body portions 202, 204 to move in this fashion, after which, the first and second body portions 202, 204 move in synchronization with the collar 242.

The assembled gate 120 can have an elastic rubber jacket or coating 250 (shown in FIGS. 3 and 5), which can provide the bias of the first and second body portions 202, 204 toward each other. Further, the rubber jacket or coating 250 can facilitate sealing between surfaces of the gate 120 and surfaces of valve body 102.

FIGS. 10-12 show the formation of the seal between the gate 120 and the valve body 102 as the gate 120 moves into the closed position and the first and second body portions

202, 204 are wedged apart. FIG. 10 shows a cut away, partially transparent perspective view of the wedge gate valve 100 of FIG. 3. As the stem 130 is rotated and the collar 242 pushes the first and second body portions 202, 204 toward the perimeter surface 114 of the flow passage 104, a radially facing surface 260 of the first and second body portions 202, 204 contacts the perimeter surface 114.

At this position, as the stem 130 is further rotated, the first and second body portions 202, 204 can move no further along the center axis 124 of the stem 130, and the wedge pins 244 wedge apart the first and second body portions 202, 204. FIG. 11 shows a cut away, partially transparent, perspective view of the wedge gate valve 100 of FIG. 3, with the first and second body portions 202, 204 wedged apart. The diameter D1 of the gate 120 can be larger than a diameter D2 (see FIG. 3) of the flow passage 104, such that in this closed position, the exterior surfaces 203, 205 of the first and second body portions 202, 204 seal against the second and first side walls 146, 142 of the gate channel 122. Referring to FIG. 10 and FIG. 11, a semi-annular slot 262 extends from the gate channel 122 through the perimeter surface 114 beyond a plane 254 perpendicular to the center axis 124 of the gate channel 122, the plane 254 parallel to and intersecting with the center axis 126 of the flow passage 104. In other words, an internal span S of the gate channel 122 is greater than the diameter D2 of the flow passage 104, as measured through the diameter D2, and the gate channel 122 encircles a majority of a circumference of the flow passage 104, thereby defining, at least in part, the semi-annular slot 262.

The gate 120 fits within the semi-annular slot 262, and the diameter D1 of the gate is large enough such that the gate 120 extends into the semi-annular slot 262. The semi-annular slot 262 has surfaces 264 that face generally in a direction parallel to the center axis 126 of the flow passage 104. When the first and second body portions 202, 204 are wedged apart, the exterior surfaces 203, 205 contact and seal against these axially-facing surfaces 264.

FIG. 12 shows a cut away perspective view of the wedge gate valve 100 of FIG. 3, with the gate 120 in a closed position. The semi-annular slot 262 tapers out relatively gradually into the perimeter surface 114. The interaction between the semi-annular slot 262, its gradual taper, and the location of the taper with the gate 120 help define a seal transition 270 between the radially facing surface 260 of the gate 120 and the axially facing exterior surface 205 of the gate 120. The transition 270 is more gradual, with more overlap, than in conventional gate valves. The transition 270 is also closer to a location on the perimeter of the gate 120 diametrically opposite the collar 242 than in conventional wedge gate valves, such that the transition 270 experiences more axial force into the perimeter surface 114 of the flow passage 104. With the greater axial force, the radially facing surface 260 has a greater likelihood of sealing at the transition 270, in addition to the sealing of the exterior surface 205 at the transition 270. As a result, the valve body 102 including the semi-annular slot 262, and the gate 120 can be manufactured with less precision and greater tolerance, and hence less cost, to achieve a seal with integrity equal to or better than conventional wedge gate valves.

Further, the fit of the gate 120 within the semi-annular slot 262 can assist guidance of the gate 120 movement between the open and closed position.

Accordingly, it is to be understood that the embodiments of the invention herein described are merely illustrative of the application of the principles of the invention. Reference herein to details of the illustrated embodiments is not

11

intended to limit the scope of the claims, which themselves recite those features regarded as essential to the invention.

What is claimed is:

1. A gate valve comprising:
 - a valve body including a first opening, a second opening, a third opening, a flow passage from the first opening to the second opening, and a gate channel from the flow passage to the third opening, the gate channel having a central longitudinal axis and a ridge defining a perimeter of the third opening; and
 - a valve cover configured to fit over the third opening and, as a result of force parallel to the central longitudinal axis on the valve cover toward the valve body, to exert a clamping force on the ridge, the clamping force having a first force component perpendicular to and toward the central longitudinal axis and a second force component parallel with the central longitudinal axis, the ridge including a first surface configured to mate with a first surface of the valve cover, a second surface configured to mate with a second surface of the valve cover, and a slot extending between the first surface of the ridge and the second surface of the ridge.
2. The gate valve of claim 1, wherein the first surface directly abuts the gate channel.
3. The gate valve of claim 1, wherein the valve body include a first bolt flange and a second bolt flange, wherein the valve cover includes a third bolt flange and a fourth bolt flange, wherein as a result of the valve cover being positioned on the valve body over the third opening, the third bolt flange aligns with the first bolt flange and the fourth bolt flange aligns with the second bolt flange.
4. The gate valve of claim 3, wherein the first bolt flange and the second bolt flange extend less than fully annularly in totality around the gate channel.

12

5. The gate valve of claim 1, wherein the valve cover comprises:
 - a first mating surface configured to extend over the third opening, the first mating surface having a first side and a second side, the first side opposite the second side;
 - a first clamping section extending at a first non-parallel angle from the first side of the first mating surface; and
 - a second clamping section extending at a second non-parallel angle from the second side of the first mating surface.
6. The gate valve of claim 1, wherein the valve cover has a first sealing surface and a second sealing surface, the second sealing surface protruding from the first sealing surface.
7. The gate valve of claim 6, further comprising a gasket sized and shaped to mate with the first sealing surface of the valve cover and to extend around the second sealing surface.
8. The gate valve of claim 7, further comprising a cap, the valve cover further comprising an opening, the cap configured to fit over the opening, around the second sealing surface of the valve cover, and onto the first sealing surface of the valve cover or the gasket.
9. The gate valve of claim 1, wherein the valve body includes a first flange and a second flange, the first flange extending from the third side wall and the second flange extending from the fourth side wall.
10. The gate valve of claim 1, wherein the ridge has a first portion and a second portion, the first force component of the clamping force on the first portion directed toward the second portion.
11. The gate valve of claim 1, wherein the ridge includes a lip extending away from the central longitudinal axis and the first surface of the ridge, the lip including the second surface of the ridge, the lip partially defining the slot.

* * * * *