



US00D940528S

(12) **United States Design Patent**
Zutler et al.

(10) **Patent No.:** **US D940,528 S**
(45) **Date of Patent:** **** Jan. 11, 2022**

- (54) **HANDS-FREE DOOR OPENER**
- (71) Applicant: **GLOBAL INDUSTRIAL DISTRIBUTION INC.**, Port Washington, NY (US)
- (72) Inventors: **Bruce Zutler**, Port Washington, NY (US); **Kevin Chow**, Port Washington, NY (US)
- (73) Assignee: **GLOBAL INDUSTRIAL DISTRIBUTION INC.**, Port Washington, NY (US)

2004/0261226 A1* 12/2004 Moody E05B 53/001
16/413
2005/0005402 A1* 1/2005 Moody E05B 53/001
16/413
2009/0145037 A1* 6/2009 Michael E05F 11/54
49/359

(Continued)

Primary Examiner — Lauren R Calve
(74) *Attorney, Agent, or Firm* — Troutman Pepper Hamilton Sanders LLP

(57) **CLAIM**
The ornamental design for a hands-free door opener, as shown and described.

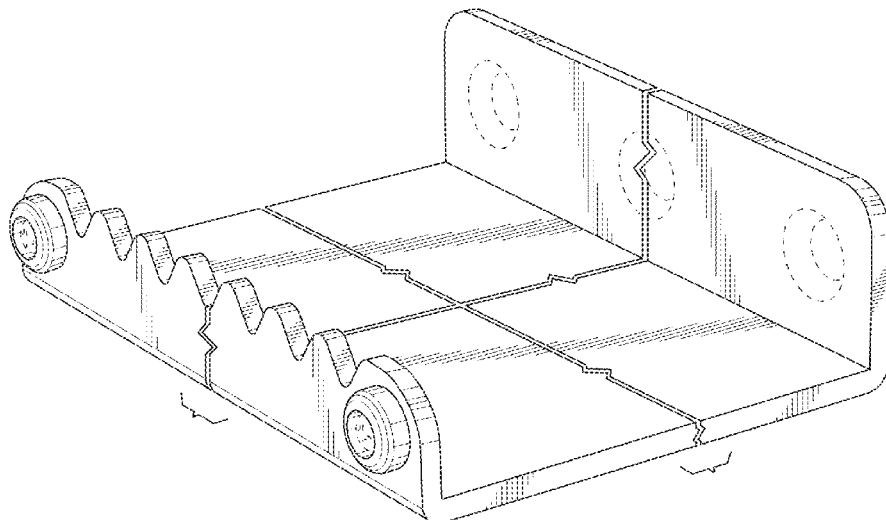
- (**) Term: **15 Years**
- (21) Appl. No.: **29/746,371**
- (22) Filed: **Aug. 13, 2020**
- (51) **LOC (13) Cl.** **08-06**
- (52) **U.S. Cl.**
USPC **D8/307**
- (58) **Field of Classification Search**
USPC D8/300–302, 307, 308, 331, 343, 367, D8/371, 394, 395, 396, 398
CPC Y10T 74/20612; Y10T 74/2014; Y10T 74/20696; Y10T 74/20396; Y10T 74/206; Y10T 74/20618; Y10T 74/19251; Y10T 74/2011; Y10T 29/49826; Y10T 74/20213; Y10T 74/20822; Y10T 16/459; Y10S 292/27; Y10S 292/53; E05Y 2201/244; E05Y 2400/86; E05F 11/54; E05F 15/616; E05B 1/0053; E05B 1/0015; E05B 1/0069
See application file for complete search history.

DESCRIPTION

FIG. 1 is a perspective view of the hands-free door opener showing the new design;
 FIG. 2 is a front view of FIG. 1;
 FIG. 3 is a rear view of FIG. 1;
 FIG. 4 is a right profile view of FIG. 1
 FIG. 5 is a left profile view of FIG. 1;
 FIG. 6 is a top view of FIG. 1;
 FIG. 7 is a bottom view of FIG. 1;
 FIG. 8 is a view showing an application for FIG. 1;
 FIG. 9 is a perspective view of another hands-free door opener showing the new design;
 FIG. 10 is a front view of FIG. 9;
 FIG. 11 is a rear view of FIG. 9;
 FIG. 12 is a right profile view FIG. 9;
 FIG. 13 is a left profile view of FIG. 9;
 FIG. 14 is a top view of FIG. 9;
 FIG. 15 is a bottom view of FIG. 9; and
 FIG. 16 is a view showing an application for FIG. 9.
 The broken lines in these drawings illustrate environmental features only and form no part of the claimed design. The shade lines shown represent surface shading and not surface ornamentation, color, or material type.
 The claim is shown with a symbolic break in its length. The appearance of any portion of the article between the break lines forms no part of the claimed design.

- (56) **References Cited**
U.S. PATENT DOCUMENTS
D237,797 S * 11/1975 Hermann D8/307
D601,880 S * 10/2009 Veilleux D8/367

1 Claim, 14 Drawing Sheets



(56)

References Cited

U.S. PATENT DOCUMENTS

2013/0118085	A1*	5/2013	Hedemark	F16H 21/44 49/356
2014/0197648	A1*	7/2014	Brown	E05F 11/54 292/336.3
2015/0067987	A1*	3/2015	Herman	E05B 1/0053 16/412
2019/0128022	A1*	5/2019	Markway	E05B 17/22
2020/0071962	A1*	3/2020	Markway	E05B 53/001

* cited by examiner

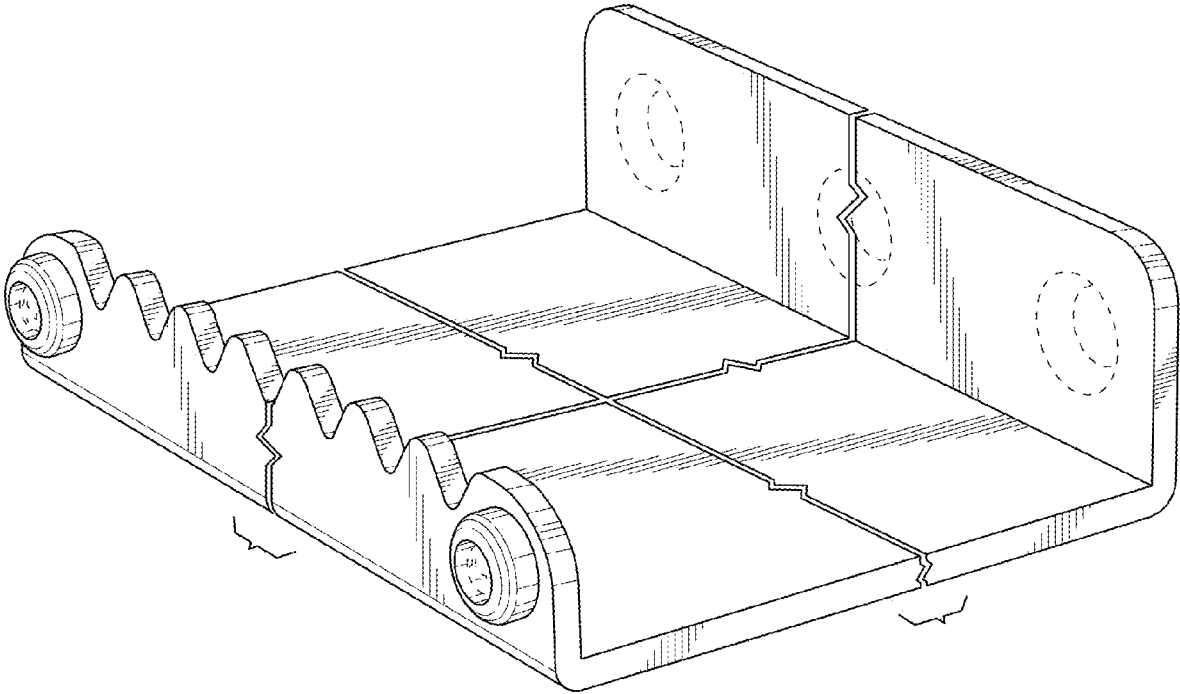


FIG. 1

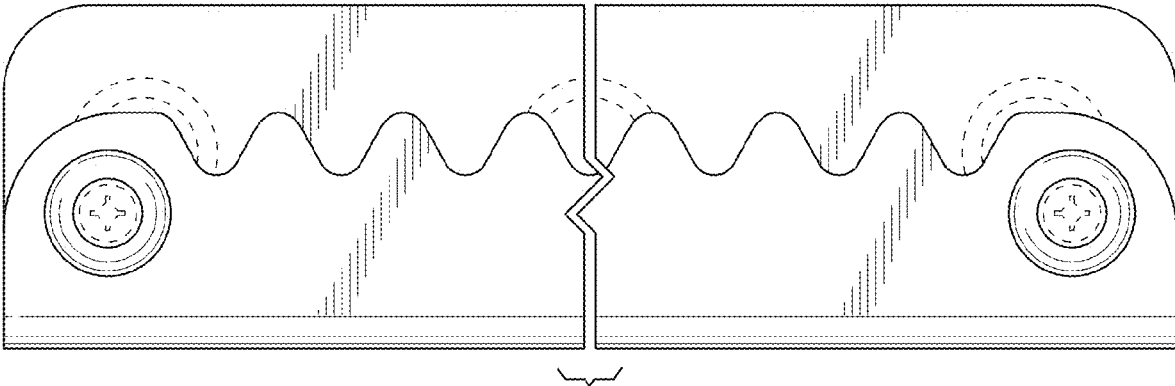


FIG. 2

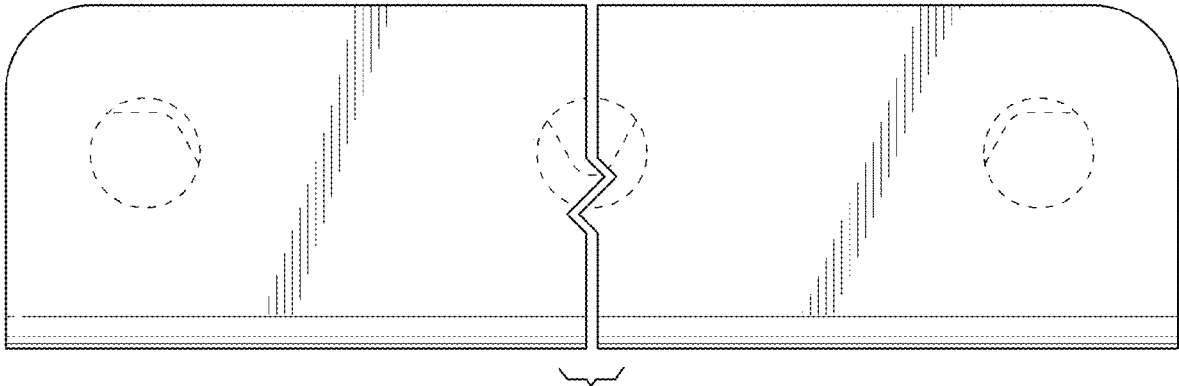


FIG. 3

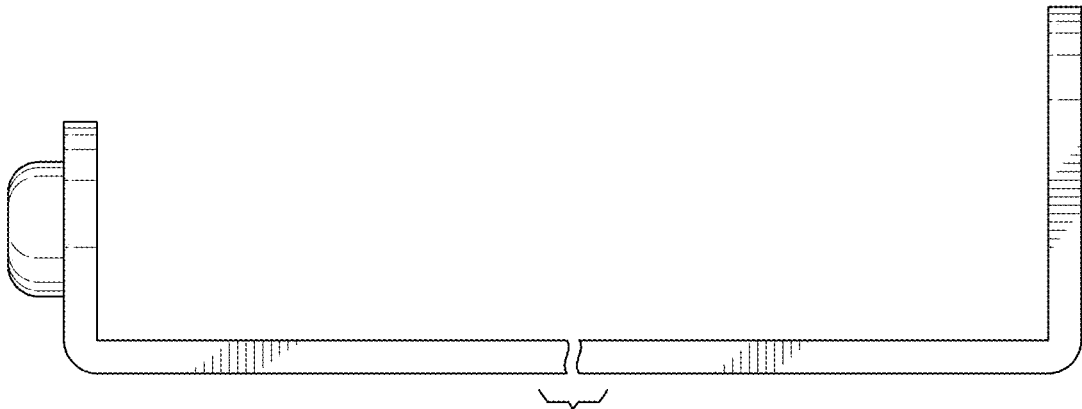


FIG. 4

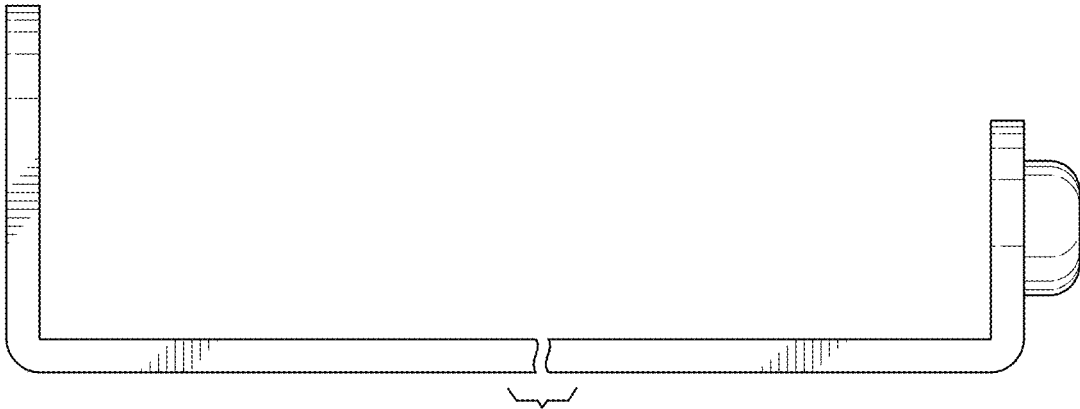


FIG. 5

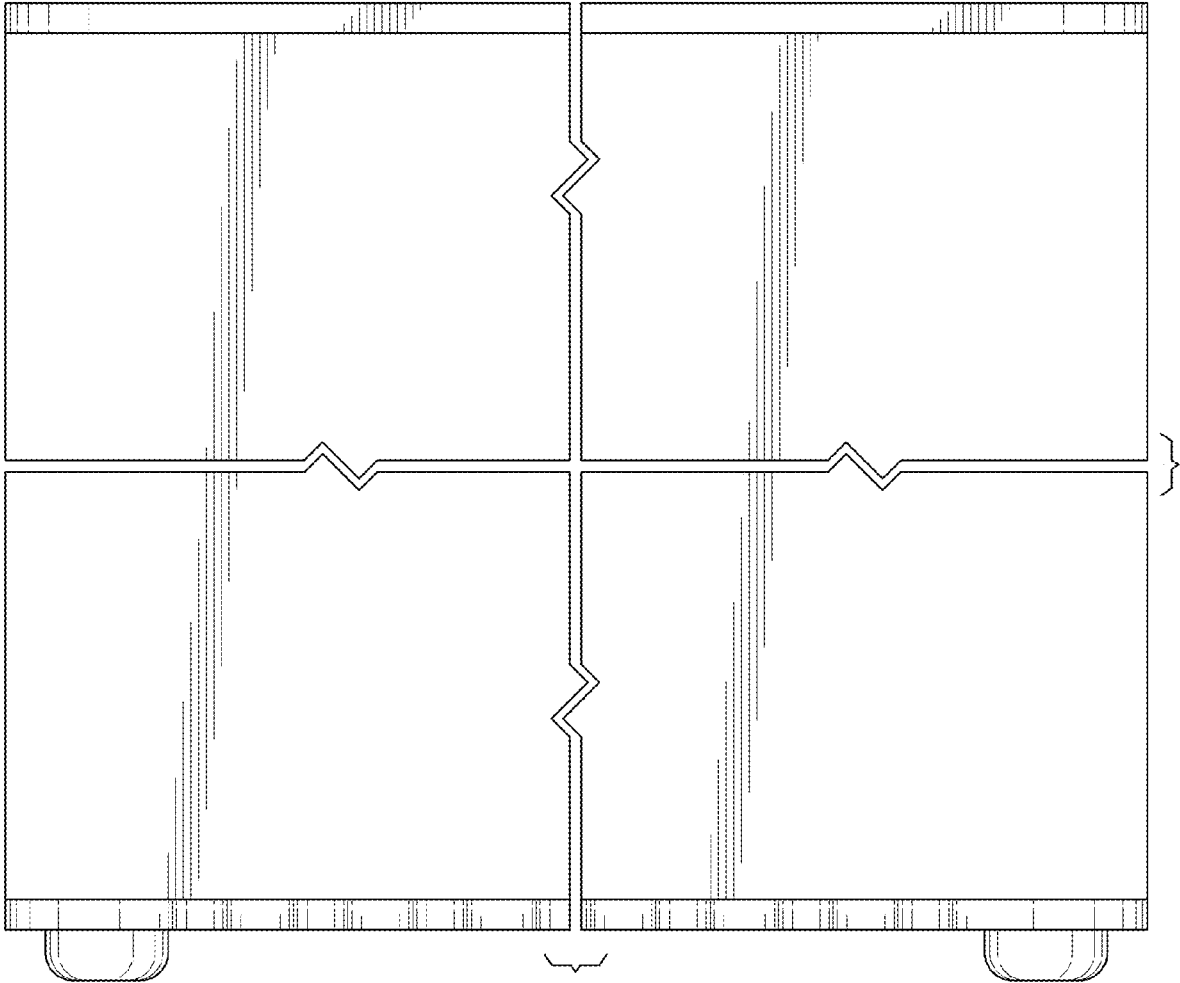


FIG. 6

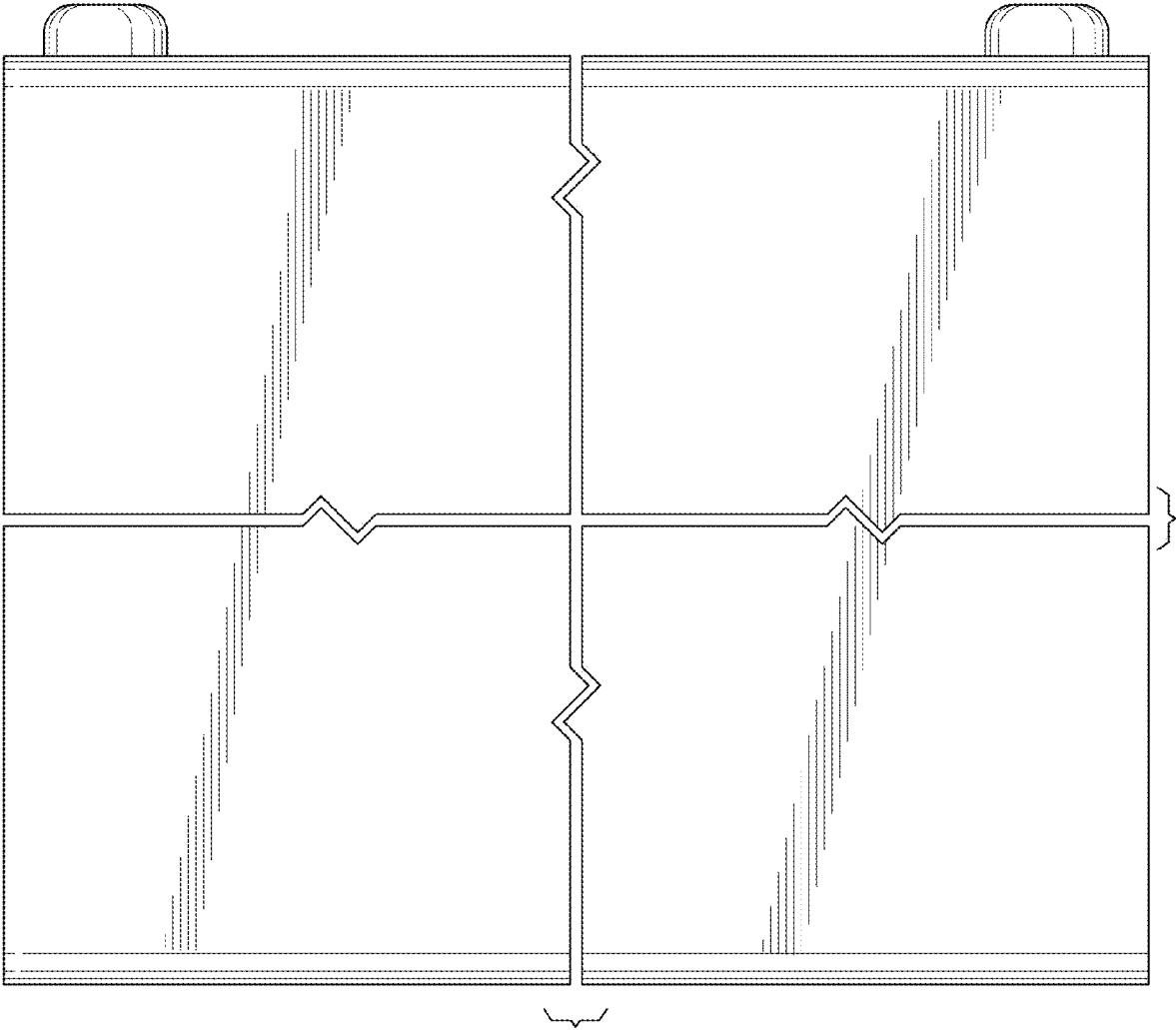


FIG. 7

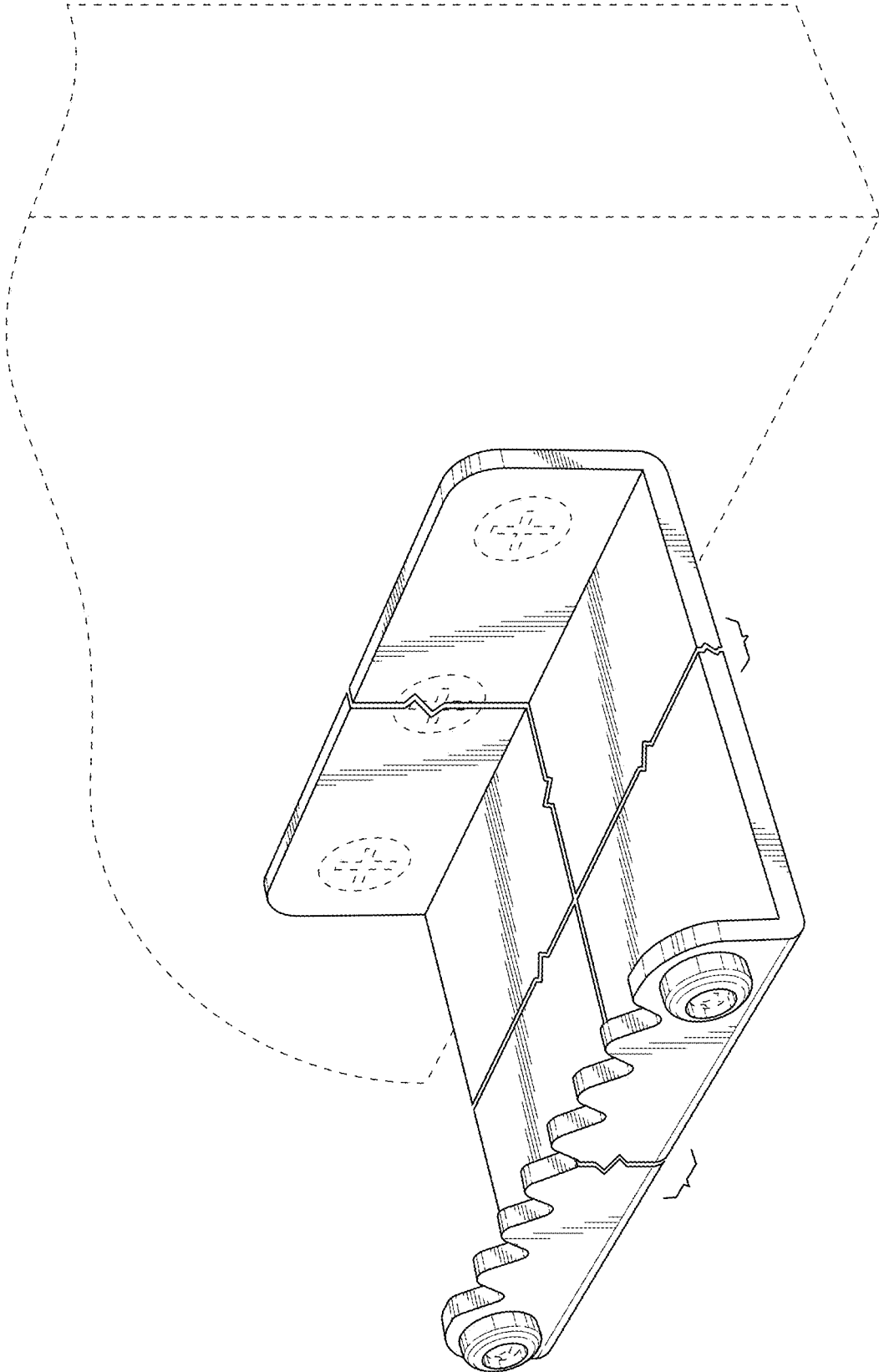


FIG. 8

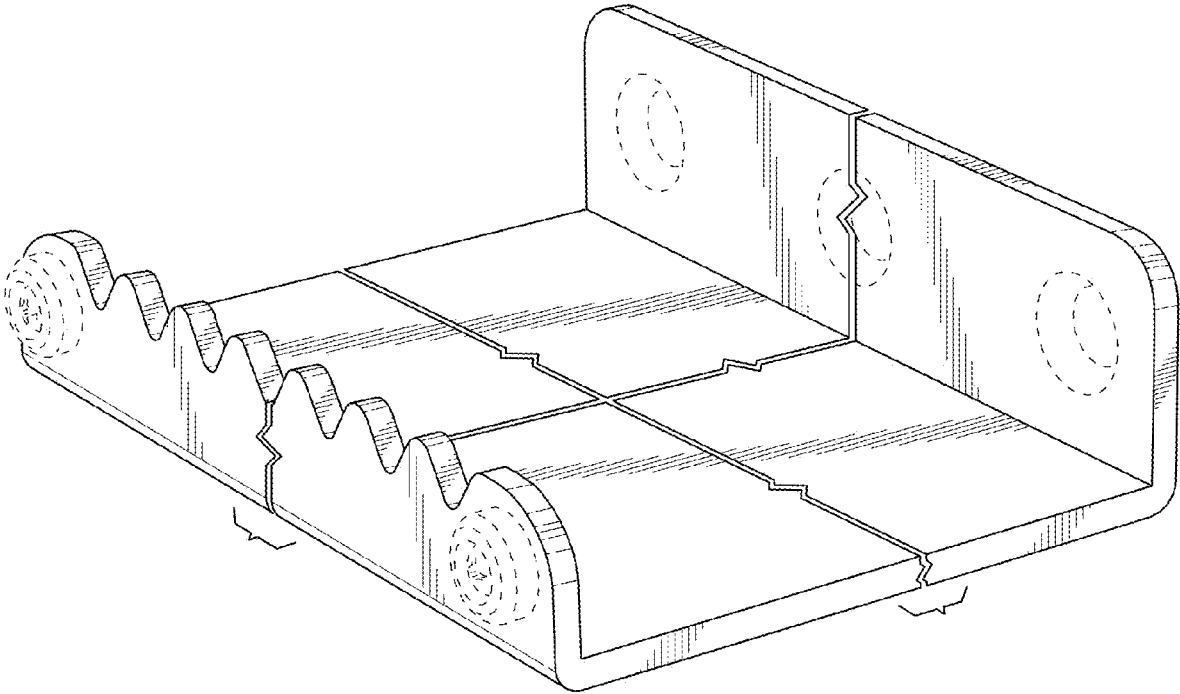


FIG. 9

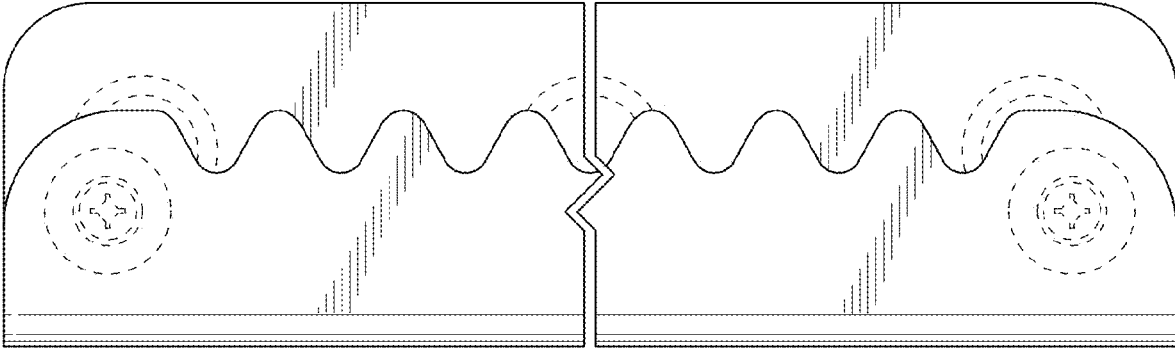


FIG. 10

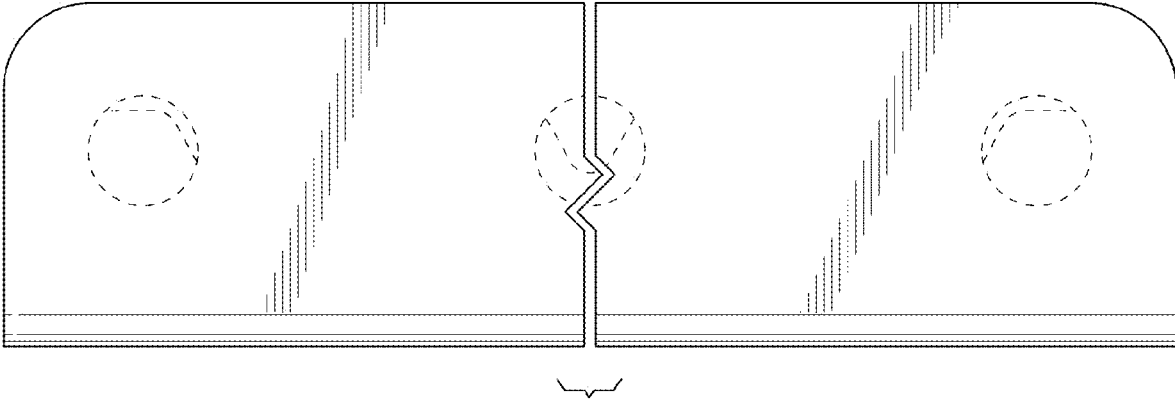


FIG. 11

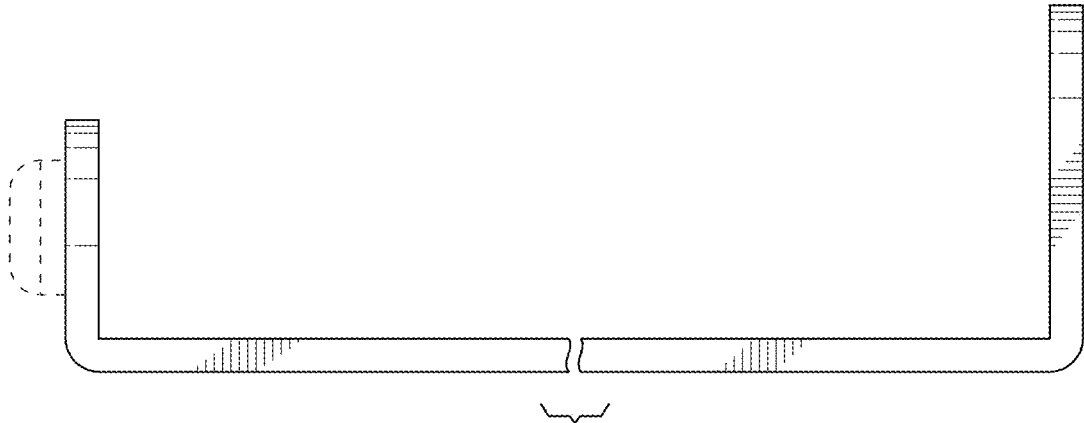


FIG. 12

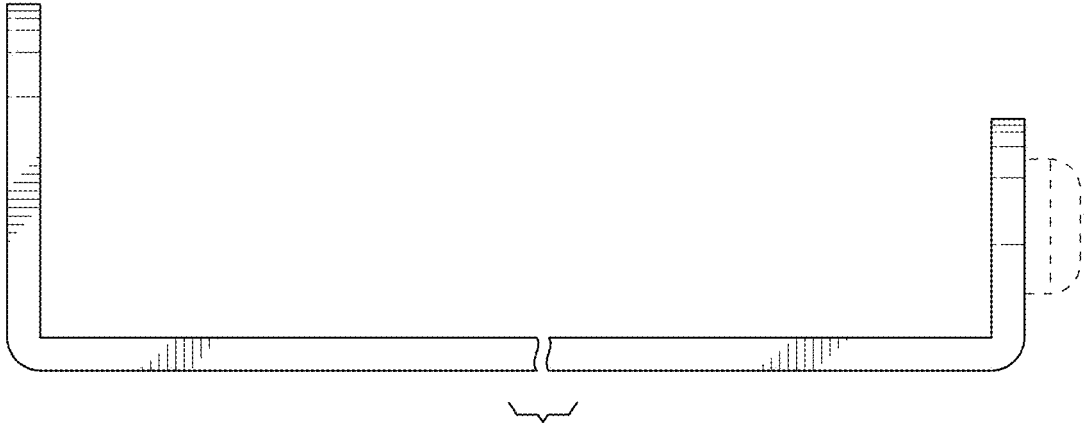


FIG. 13

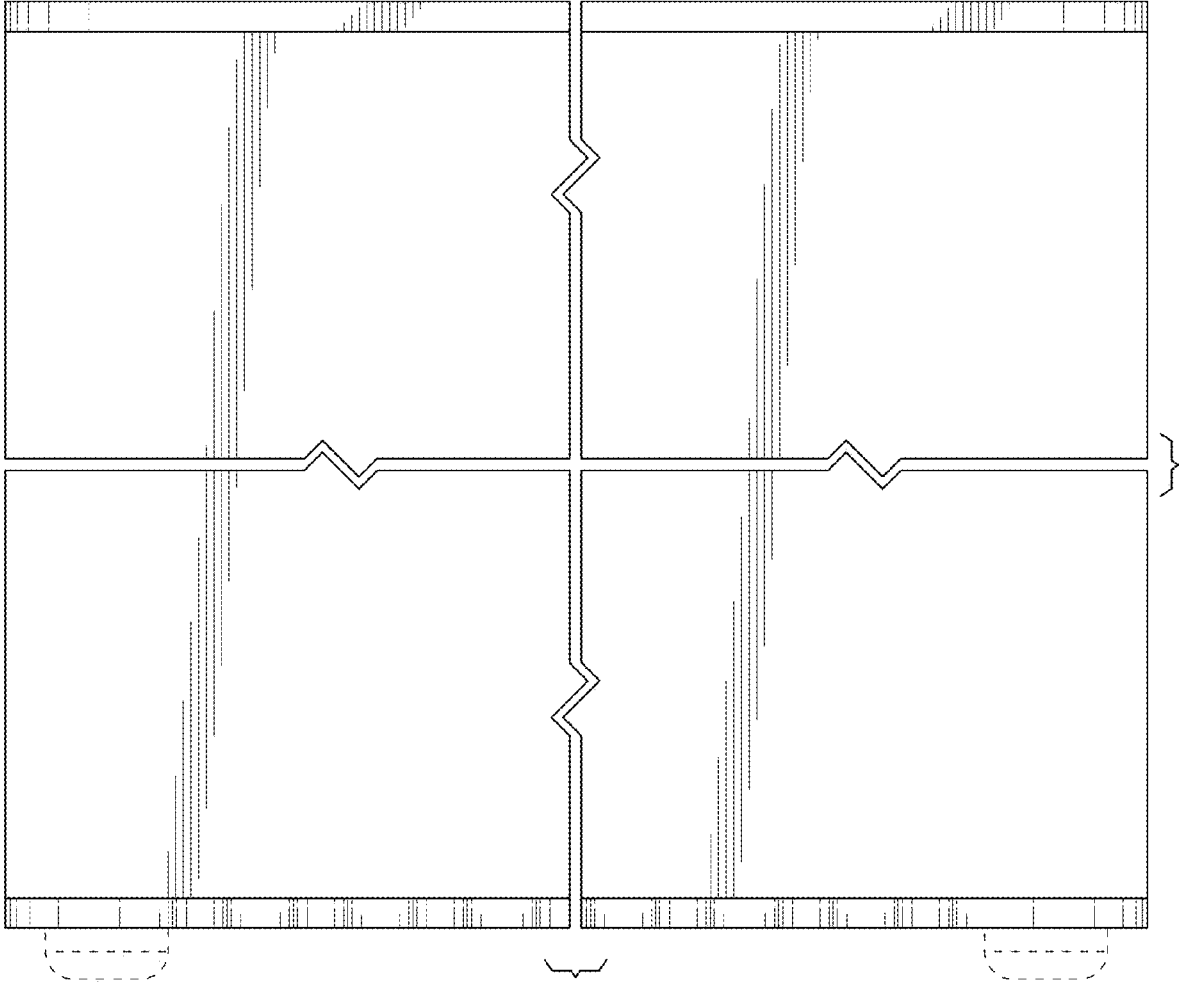


FIG. 14

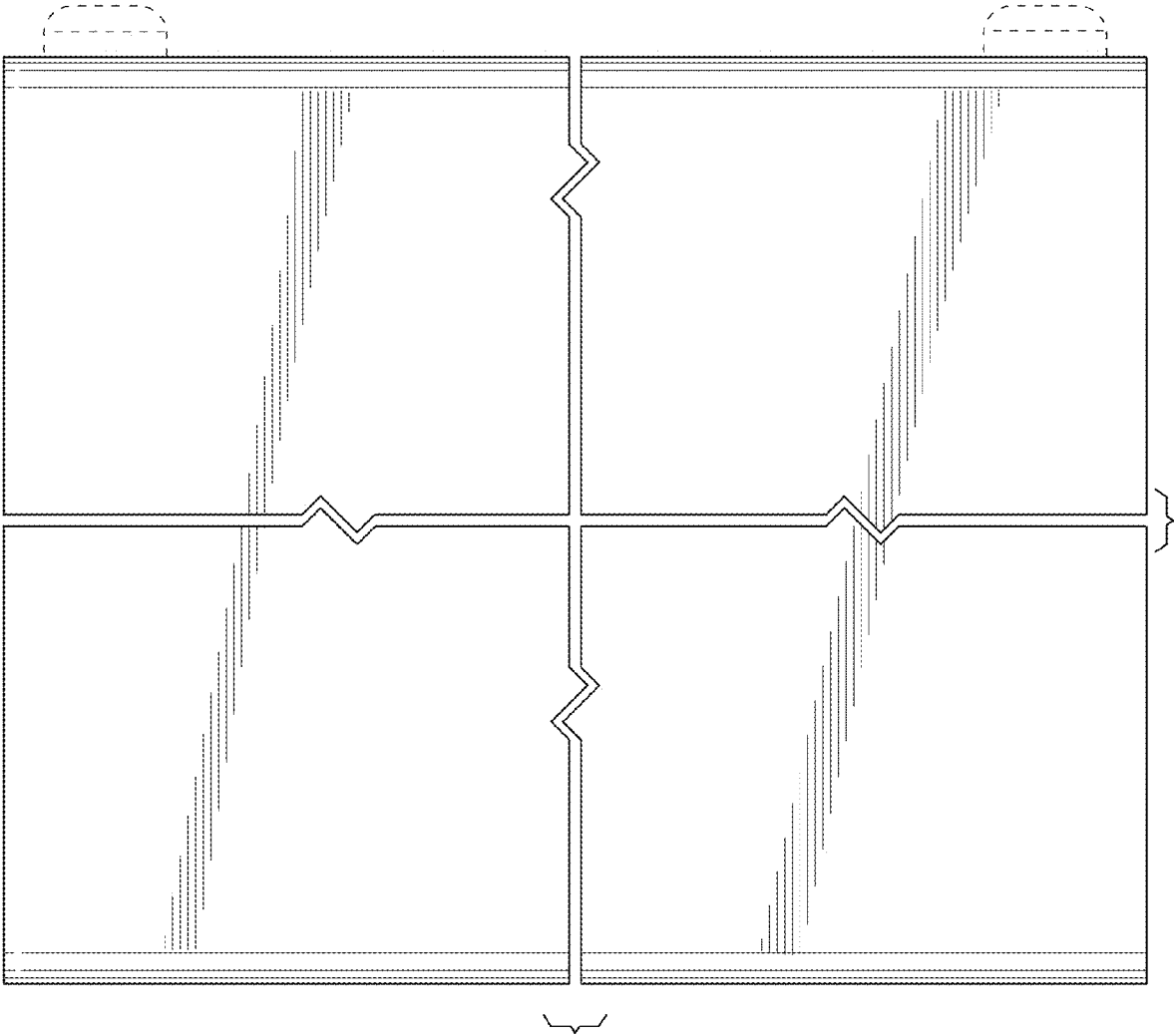


FIG. 15

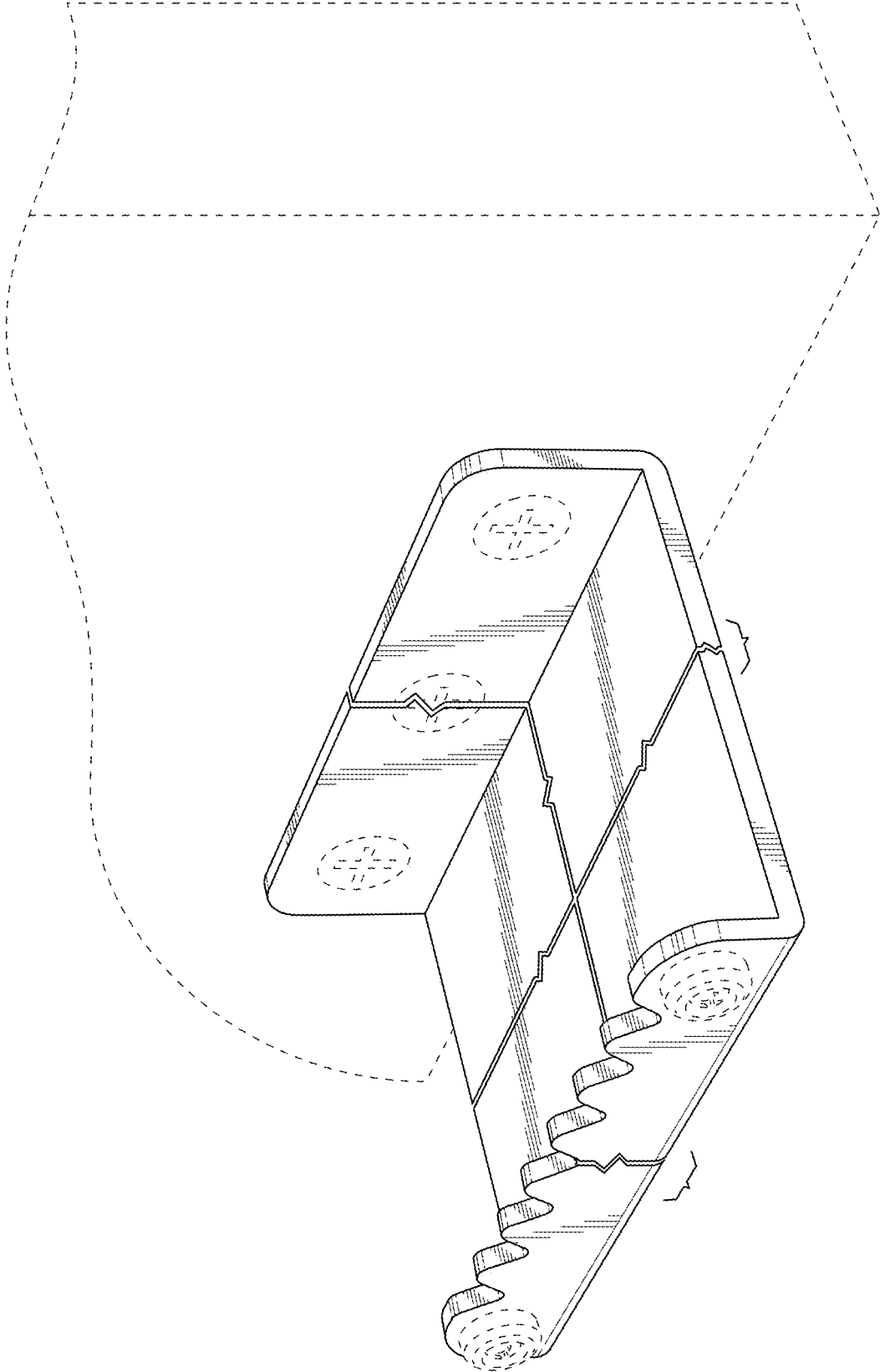


FIG. 16