

(19) World Intellectual Property Organization  
International Bureau



(43) International Publication Date  
25 January 2007 (25.01.2007)

PCT

(10) International Publication Number  
WO 2007/010456 A3

- (51) International Patent Classification:  
H03M 1/06 (2006.01) H03M 1/12 (2006.01)
- (21) International Application Number:  
PCT/IB2006/052384
- (22) International Filing Date: 13 July 2006 (13.07.2006)
- (25) Filing Language: English
- (26) Publication Language: English
- (30) Priority Data:  
05106525.8 15 July 2005 (15.07.2005) EP
- (71) Applicant (for all designated States except US): **KONINKLIJKE PHILIPS ELECTRONICS N.V.** [NL/NL]; Groenewoudseweg 1, NL-5621 BA Eindhoven (NL).
- (72) Inventors; and
- (75) Inventors/Applicants (for US only): **SCHAPENDONK, Edwin** [NL/NL]; C/o Prof. Holstlaan 6, NL-5656 AA Eindhoven (NL). **HAANSTRA, Jan, H.** [NL/NL]; C/o Prof. Holstlaan 6, NL-5656 AA Eindhoven (NL). **TRAA, Willebrordus, G.** [NL/NL]; C/o Prof. Holstlaan 6, NL-5656 AA Eindhoven (NL).
- (74) Agent: **PENNINGS, Johannes**; NXP Semiconductors, IP Department, High Tech Campus 60, NL-5656 AG Eindhoven (NL).

- (81) Designated States (unless otherwise indicated, for every kind of national protection available): AE, AG, AL, AM, AT, AU, AZ, BA, BB, BG, BR, BW, BY, BZ, CA, CH, CN, CO, CR, CU, CZ, DE, DK, DM, DZ, EC, EE, EG, ES, FI, GB, GD, GE, GH, GM, HN, HR, HU, ID, IL, IN, IS, JP, KE, KG, KM, KN, KP, KR, KZ, LA, LC, LK, LR, LS, LT, LU, LV, LY, MA, MD, MG, MK, MN, MW, MX, MZ, NA, NG, NI, NO, NZ, OM, PG, PH, PL, PT, RO, RS, RU, SC, SD, SE, SG, SK, SL, SM, SY, TJ, TM, TN, TR, TT, TZ, UA, UG, US, UZ, VC, VN, ZA, ZM, ZW.
- (84) Designated States (unless otherwise indicated, for every kind of regional protection available): ARIPO (BW, GH, GM, KE, LS, MW, MZ, NA, SD, SL, SZ, TZ, UG, ZM, ZW), Eurasian (AM, AZ, BY, KG, KZ, MD, RU, TJ, TM), European (AT, BE, BG, CH, CY, CZ, DE, DK, EE, ES, FI, FR, GB, GR, HU, IE, IS, IT, LT, LU, LV, MC, NL, PL, PT, RO, SE, SI, SK, TR), OAPI (BF, BJ, CF, CG, CI, CM, GA, GN, GQ, GW, ML, MR, NE, SN, TD, TG).

**Declaration under Rule 4.17:**

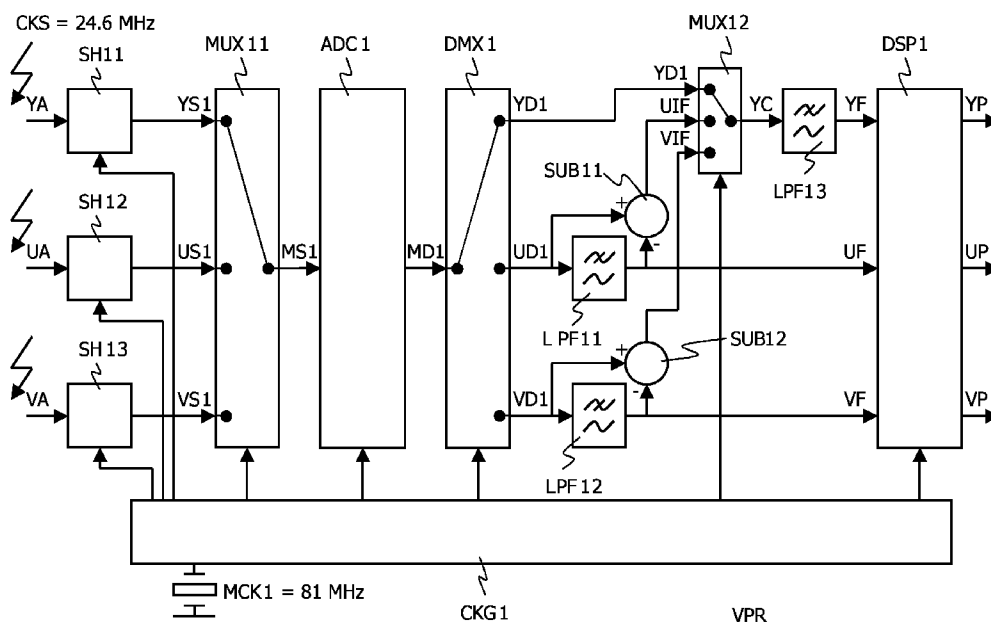
— as to applicant's entitlement to apply for and be granted a patent (Rule 4.17(ii))

**Published:**

— with international search report

[Continued on next page]

(54) Title: SIGNAL PROCESSOR HAVING A SAMPLING ARRANGEMENT AND A FOLDING COMPENSATOR



(57) Abstract: In a signal processor, a sampling arrangement (SH11, S12, SH13, ADC1) samples at least a first signal (YA) and a second signal (UA, VA) so as to obtain sampled first signal (YD1) and a sampled second signal (UD1, VD1), respectively. A folding compensator (LPF11, LPF12, LPF13, SUB11, SUB12, MUX12) compensates for a folding component in the sampled first signal (YD1) on the basis of a spectral portion of the sampled second signal (UD1, VD1) that is substantially free of components that originate from the second signal (UA, VA).

WO 2007/010456 A3



---

**(88) Date of publication of the international search report:**

5 April 2007

*For two-letter codes and other abbreviations, refer to the "Guidance Notes on Codes and Abbreviations" appearing at the beginning of each regular issue of the PCT Gazette.*

INTERNATIONAL SEARCH REPORT

International application No  
PCT/IB2006/052384

A. CLASSIFICATION OF SUBJECT MATTER

INV. H03M1/06  
ADD. H03M1/12

According to International Patent Classification (IPC) or to both national classification and IPC

B. FIELDS SEARCHED

Minimum documentation searched (classification system followed by classification symbols)  
H03M

Documentation searched other than minimum documentation to the extent that such documents are included in the fields searched

Electronic data base consulted during the international search (name of data base and, where practical, search terms used)

EPO-Internal, WPI Data, IBM-TDB, INSPEC, COMPENDEX

C. DOCUMENTS CONSIDERED TO BE RELEVANT

Category*	Citation of document, with indication, where appropriate, of the relevant passages	Relevant to claim No.
A	WO 03/055207 A (THOMSON LICENSING SA [FR]; RUMREICH MARK FRANCIS [US]) 3 July 2003 (2003-07-03) cited in the application figure 5	1,10

Further documents are listed in the continuation of Box C.

See patent family annex.

\* Special categories of cited documents :

"A" document defining the general state of the art which is not considered to be of particular relevance

"E" earlier document but published on or after the international filing date

"L" document which may throw doubts on priority claim(s) or which is cited to establish the publication date of another citation or other special reason (as specified)

"O" document referring to an oral disclosure, use, exhibition or other means

"P" document published prior to the international filing date but later than the priority date claimed

"T" later document published after the international filing date or priority date and not in conflict with the application but cited to understand the principle or theory underlying the invention

"X" document of particular relevance; the claimed invention cannot be considered novel or cannot be considered to involve an inventive step when the document is taken alone

"Y" document of particular relevance; the claimed invention cannot be considered to involve an inventive step when the document is combined with one or more other such documents, such combination being obvious to a person skilled in the art.

"&" document member of the same patent family

Date of the actual completion of the international search

4 January 2007

Date of mailing of the international search report

11/01/2007

Name and mailing address of the ISA/

European Patent Office, P.B. 5818 Patentlaan 2  
NL - 2280 HV Rijswijk  
Tel. (+31-70) 340-2040, Tx. 31 651 epo nl,  
Fax: (+31-70) 340-3016

Authorized officer

Beindorff, Henk

## INTERNATIONAL SEARCH REPORT

International application No  
PCT/IB2006/052384

Patent document cited in search report		Publication date		Patent family member(s)		Publication date
WO 03055207	A	03-07-2003	AU	2002351313 A1		09-07-2003
			CN	1605193 A		06-04-2005
			EP	1454482 A1		08-09-2004
			JP	2005514816 T		19-05-2005
			MX	PA04005730 A		06-12-2004
<hr/>						