



(11) **EP 3 187 788 A3**

(12) **EUROPEAN PATENT APPLICATION**

(88) Date of publication A3:
13.09.2017 Bulletin 2017/37

(51) Int Cl.:
F24D 3/14 (2006.01) **F16L 3/04** (2006.01)
F16B 5/12 (2006.01) **F16B 9/02** (2006.01)
F16L 3/12 (2006.01) **F16L 3/137** (2006.01)

(43) Date of publication A2:
05.07.2017 Bulletin 2017/27

(21) Application number: **16177976.4**

(22) Date of filing: **05.07.2016**

(84) Designated Contracting States:
AL AT BE BG CH CY CZ DE DK EE ES FI FR GB GR HR HU IE IS IT LI LT LU LV MC MK MT NL NO PL PT RO RS SE SI SK SM TR
Designated Extension States:
BA ME
Designated Validation States:
MA MD

(71) Applicant: **Taiwan Paiho Limited Chang Hwa Hsien (TW)**

(72) Inventor: **CHENG, Allen Chang Hwa Hsien (TW)**

(74) Representative: **Banzer, Hans-Jörg Kraus & Weisert Patentanwälte PartGmbB Thomas-Wimmer-Ring 15 80539 München (DE)**

(30) Priority: **10.12.2015 TW 104141440**

(54) **TUBE FASTENING STRUCTURE**

(57) The present invention relates to a tube fastening structure for fastening a tube (9) in a radiant floor heating system, the tube fastening structure comprising a bottom layer (1) and at least one fastening element (2). The bottom layer (1) is fixed on ground and has a surface of loop members. The fastening element (2) has a plurality of hook members (20) on a first surface thereof, and the plurality of hook members (20) are configured to be mechanically fastened to the surface of the loop members of the bottom layer (1). After the tube (9) is placed on the bottom layer (1), the fastening element (20) is configured to fasten the tube (9) in a manner of surrounding the tube (9) by a mechanical fastening between the plurality of hook members (20) and the surface of the loop members of the bottom layer (1).

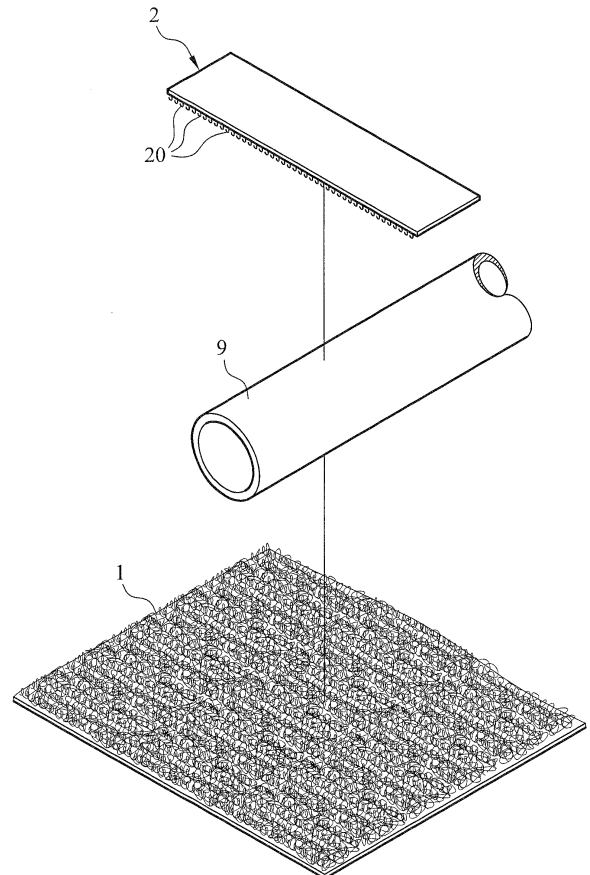


Fig. 1

EP 3 187 788 A3



Application Number

EP 16 17 7976

5

CLAIMS INCURRING FEES

The present European patent application comprised at the time of filing claims for which payment was due.

10

Only part of the claims have been paid within the prescribed time limit. The present European search report has been drawn up for those claims for which no payment was due and for those claims for which claims fees have been paid, namely claim(s):

15

No claims fees have been paid within the prescribed time limit. The present European search report has been drawn up for those claims for which no payment was due.

20

LACK OF UNITY OF INVENTION

The Search Division considers that the present European patent application does not comply with the requirements of unity of invention and relates to several inventions or groups of inventions, namely:

25

see sheet B

30

All further search fees have been paid within the fixed time limit. The present European search report has been drawn up for all claims.

35

As all searchable claims could be searched without effort justifying an additional fee, the Search Division did not invite payment of any additional fee.

40

Only part of the further search fees have been paid within the fixed time limit. The present European search report has been drawn up for those parts of the European patent application which relate to the inventions in respect of which search fees have been paid, namely claims:

45

None of the further search fees have been paid within the fixed time limit. The present European search report has been drawn up for those parts of the European patent application which relate to the invention first mentioned in the claims, namely claims:

50

1-7

55

The present supplementary European search report has been drawn up for those parts of the European patent application which relate to the invention first mentioned in the claims (Rule 164 (1) EPC).



**LACK OF UNITY OF INVENTION
SHEET B**

Application Number
EP 16 17 7976

5

The Search Division considers that the present European patent application does not comply with the requirements of unity of invention and relates to several inventions or groups of inventions, namely:

10

1. claims: 1-7

15

A tube fastening structure for fastening a tube in a radiant floor heating system, the tube fastening structure comprising a bottom layer fixed on ground and having a surface of loop members; and at least one fastening element having a plurality of hook members on a first surface thereof and configured to be mechanically fastened to the surface of the loop members, the fastening element configured to fasten the tube in a manner of surrounding the tube by a mechanical fastening between the plurality of hook members and the surface of the loop members of the bottom layer after the tube is placed on the bottom layer.

20

25

2. claims: 8-11

30

A tube fastening structure for fastening a tube in a radiant floor heating system, the tube fastening structure comprising a bottom layer fixed on ground and having a surface of loop members; a seat body for retaining the tube and having a plurality of hook members on a bottom surface thereof which are configured to be mechanically fastened to the surface of the loop members of the bottom layer, and a fastening band with hook and loop members, for retaining the tube within the seat body.

35

40

45

50

55

**ANNEX TO THE EUROPEAN SEARCH REPORT
ON EUROPEAN PATENT APPLICATION NO.**

EP 16 17 7976

5 This annex lists the patent family members relating to the patent documents cited in the above-mentioned European search report.
The members are as contained in the European Patent Office EDP file on
The European Patent Office is in no way liable for these particulars which are merely given for the purpose of information.

27-04-2017

10	Patent document cited in search report	Publication date	Patent family member(s)	Publication date
15	EP 0346529 A1	20-12-1989	DE 3819156 A1 DK 28190 A EP 0346529 A1 ES 2039022 T3 WO 8912203 A1	07-12-1989 27-02-1990 20-12-1989 16-08-1993 14-12-1989
20	DE 29708455 U1	17-09-1998	NONE	
25	US 5300037 A	05-04-1994	NONE	
30				
35				
40				
45				
50				
55				

EPO FORM P0459

For more details about this annex : see Official Journal of the European Patent Office, No. 12/82