



(12) **EUROPEAN PATENT APPLICATION**

(88) Date of publication A3:  
**21.02.2024 Bulletin 2024/08**

(43) Date of publication A2:  
**29.11.2023 Bulletin 2023/48**

(21) Application number: **23203151.8**

(22) Date of filing: **19.10.2020**

(51) International Patent Classification (IPC):  
**A24B 15/12** <sup>(2006.01)</sup> **A24B 15/167** <sup>(2020.01)</sup>  
**A24D 1/18** <sup>(2006.01)</sup> **A24F 47/00** <sup>(2020.01)</sup>  
**A24D 1/20** <sup>(2020.01)</sup>

(52) Cooperative Patent Classification (CPC):  
**A24B 15/12; A24B 15/167; A24D 1/18; A24D 1/20**

(84) Designated Contracting States:  
**AL AT BE BG CH CY CZ DE DK EE ES FI FR GB GR HR HU IE IS IT LI LT LU LV MC MK MT NL NO PL PT RO RS SE SI SK SM TR**

(30) Priority: **21.10.2019 EP 19204406**

(62) Document number(s) of the earlier application(s) in accordance with Art. 76 EPC:  
**20790015.0 / 4 048 094**

(71) Applicant: **Philip Morris Products S.A.**  
**2000 Neuchâtel (CH)**

(72) Inventors:  

- **ARNDT, Daniel**  
**2000 Neuchâtel (CH)**
- **CAMPANONI, Prisca**  
**2000 Neuchâtel (CH)**
- **CATTONI, Michele**  
**2000 Neuchâtel (CH)**

(74) Representative: **Taylor, Gillian Claire**  
**Reddie & Grose LLP**  
**The White Chapel Building**  
**10 Whitechapel High Street**  
**London E1 8QS (GB)**

(54) **NOVEL AEROSOL-GENERATING SUBSTRATE COMPRISING ILLICIIUM SPECIES**

(57) An aerosol-generating article (1000)(4000a,4000b)(5000) comprising an aerosol-generating substrate (1020), the aerosol-generating substrate comprising a homogenised star anise material including star anise particles, an aerosol former and an exogenous binder, wherein the aerosol-generating substrate (1020)(4020a, 4020b)(5020) comprises: at least

70 micrograms of (E)-anethole per gram of the substrate, on a dry weight basis; at least 50 micrograms of epoxy-anethole per gram of the substrate, on a dry weight basis; and at least 130 micrograms of benzyl isoeugenol ether per gram of the substrate, on a dry weight basis. The homogenised star anise material in the aerosol-generating substrate (1020) is in the form of cast leaf.

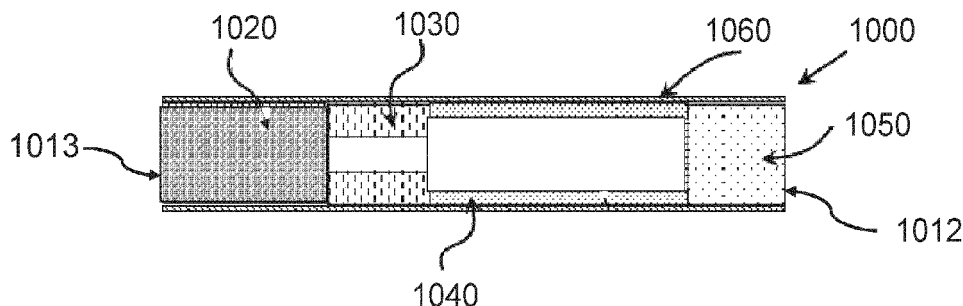


Figure 1



EUROPEAN SEARCH REPORT

Application Number

EP 23 20 3151

5

10

15

20

25

30

35

40

45

50

55

DOCUMENTS CONSIDERED TO BE RELEVANT			
Category	Citation of document with indication, where appropriate, of relevant passages	Relevant to claim	CLASSIFICATION OF THE APPLICATION (IPC)
A	CN 110 279 137 A (YUNNAN REASCEND TOBACCO TECH GROUP CO LTD) 27 September 2019 (2019-09-27) * paragraph [0023]; claims 1, 8 * -----	1-15	INV. A24B15/12 A24B15/167 A24D1/18 A24F47/00 A24D1/20
A	CN 106 912 981 A (WEI JIANLI) 4 July 2017 (2017-07-04) * abstract; claim 1 * -----	1-15	
A	WO 2014/140168 A2 (GOURDIN-BERTIN SIMON [FR]; TAVERNE GEORGES [FR]) 18 September 2014 (2014-09-18) * claim 12 * -----	1-15	
A	WO 2019/043119 A1 (SWM LUXEMBOURG SARL [LU]) 7 March 2019 (2019-03-07) * claim 17; examples 3a, 3b * -----	1-15	
			TECHNICAL FIELDS SEARCHED (IPC)
			A24B A24F A24D
The present search report has been drawn up for all claims			
Place of search <b>The Hague</b>		Date of completion of the search <b>11 January 2024</b>	Examiner <b>Picout, David</b>
CATEGORY OF CITED DOCUMENTS X : particularly relevant if taken alone Y : particularly relevant if combined with another document of the same category A : technological background O : non-written disclosure P : intermediate document		T : theory or principle underlying the invention E : earlier patent document, but published on, or after the filing date D : document cited in the application L : document cited for other reasons ..... & : member of the same patent family, corresponding document	

1  
EPO FORM 1503 03:82 (P04C01)

**ANNEX TO THE EUROPEAN SEARCH REPORT  
ON EUROPEAN PATENT APPLICATION NO.**

EP 23 20 3151

5

This annex lists the patent family members relating to the patent documents cited in the above-mentioned European search report. The members are as contained in the European Patent Office EDP file on The European Patent Office is in no way liable for these particulars which are merely given for the purpose of information.

11-01-2024

10

15

20

25

30

35

40

45

50

55

Patent document cited in search report	Publication date	Patent family member(s)	Publication date
<b>CN 110279137 A</b>	<b>27-09-2019</b>	<b>NONE</b>	
-----			
<b>CN 106912981 A</b>	<b>04-07-2017</b>	<b>NONE</b>	
-----			
<b>WO 2014140168 A2</b>	<b>18-09-2014</b>	<b>NONE</b>	
-----			
<b>WO 2019043119 A1</b>	<b>07-03-2019</b>	<b>AU 2018326546 A1</b>	<b>27-02-2020</b>
		<b>CA 3072953 A1</b>	<b>07-03-2019</b>
		<b>CN 110996690 A</b>	<b>10-04-2020</b>
		<b>EP 3675658 A1</b>	<b>08-07-2020</b>
		<b>FR 3070237 A1</b>	<b>01-03-2019</b>
		<b>JP 7268002 B2</b>	<b>02-05-2023</b>
		<b>JP 2020531040 A</b>	<b>05-11-2020</b>
		<b>KR 20200052272 A</b>	<b>14-05-2020</b>
		<b>PT 3675658 T</b>	<b>07-12-2023</b>
		<b>RS 64829 B1</b>	<b>29-12-2023</b>
		<b>US 2020205463 A1</b>	<b>02-07-2020</b>
		<b>WO 2019043119 A1</b>	<b>07-03-2019</b>
-----			

EPO FORM P0459

For more details about this annex : see Official Journal of the European Patent Office, No. 12/82