



US011925264B1

(12) **United States Patent**  
**Poniatowski**

(10) **Patent No.:** **US 11,925,264 B1**  
(45) **Date of Patent:** **\*Mar. 12, 2024**

(54) **DESKTOP WORKSPACE THAT ADJUSTS VERTICALLY**

A47B 21/02; A47B 21/03; A47B 21/04;  
A47B 9/16; A47B 2021/0321; A47B  
2021/0364; A47B 2021/0335; A47B 3/00;  
(Continued)

(71) Applicant: **Nathan Mark Poniatowski**, Santa Rosa Beach, FL (US)

(56) **References Cited**

(72) Inventor: **Nathan Mark Poniatowski**, Santa Rosa Beach, FL (US)

U.S. PATENT DOCUMENTS

(73) Assignee: **Office Kick, Inc.**, Boulder, CO (US)

200,057 A 2/1878 Hart  
317,468 A 5/1885 Morstatt  
(Continued)

(\* ) Notice: Subject to any disclaimer, the term of this patent is extended or adjusted under 35 U.S.C. 154(b) by 0 days.

This patent is subject to a terminal disclaimer.

FOREIGN PATENT DOCUMENTS

AU 5691386 A 11/1986  
AU 580874 B2 2/1989  
(Continued)

(21) Appl. No.: **18/134,032**

OTHER PUBLICATIONS

(22) Filed: **Apr. 12, 2023**

“Easylift Gas Springs: Technical Information,” Web page, Aug. 24, 2008, retrieved from Internet Archive Wayback Machine on Aug. 29, 2022.

(Continued)

**Related U.S. Application Data**

(60) Continuation of application No. 17/985,137, filed on Nov. 10, 2022, which is a continuation of application No. 17/493,812, filed on Oct. 4, 2021, which is a continuation of application No. 16/785,647, filed on Feb. 9, 2020, now Pat. No. 11,134,773, which is a  
(Continued)

*Primary Examiner* — Janet M Wilkens  
(74) *Attorney, Agent, or Firm* — Lund IP, PLLC

(57) **ABSTRACT**

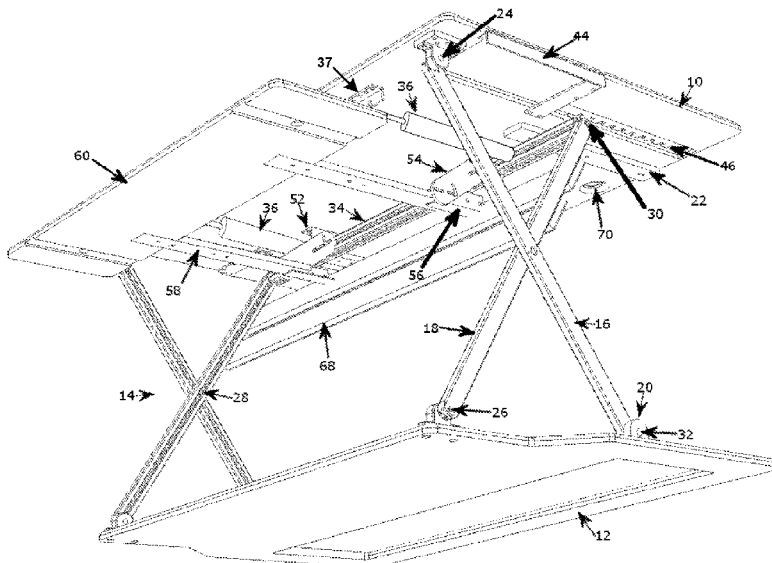
(51) **Int. Cl.**  
*A47B 9/16* (2006.01)  
*A47B 21/02* (2006.01)  
*A47B 21/03* (2006.01)  
*A47B 21/04* (2006.01)

A desktop workspace that adjusts vertically includes a work surface platform, a base configured to sit on an existing platform, such as a desk, a height adjustable mechanism including at least one set of arms that connect at a pivot point(s) creating a scissoring motion to raise and lower the said work surface platform to various heights. A locking and unlocking mechanism may connect to the height adjustable mechanism. In some cases, the apparatus includes an adjustable mechanism to support items such as a keyboard. In some cases, the apparatus includes elements to raise items such as a monitor to an additional height.

(52) **U.S. Cl.**  
CPC ..... *A47B 9/16* (2013.01); *A47B 21/02* (2013.01); *A47B 21/0314* (2013.01); *A47B 21/04* (2013.01); *A47B 2021/0335* (2013.01)

(58) **Field of Classification Search**  
CPC ..... A47B 1/03; A47B 21/0314; A47B 21/00;

**36 Claims, 26 Drawing Sheets**



**Related U.S. Application Data**

continuation of application No. 16/372,334, filed on Apr. 1, 2019, now Pat. No. 10,575,630, which is a division of application No. 15/628,558, filed on Jun. 20, 2017, now Pat. No. 10,244,861, which is a division of application No. 15/004,926, filed on Jan. 23, 2016, now abandoned.

(60) Provisional application No. 62/107,380, filed on Jan. 24, 2015.

(58) **Field of Classification Search**

CPC ..... A47B 61/00; A47B 3/02; A47B 3/0809; A47B 3/0815; A47B 2003/025  
USPC ..... 312/208.1, 223.3; 248/421, 562, 588, 248/585, 439; 108/147, 144.11, 145, 93, 108/96, 116–118, 120.43, 138, 50.01, 108/50.02, 28

See application file for complete search history.

(56) **References Cited**

U.S. PATENT DOCUMENTS

606,845	A	7/1898	Simmons
835,247	A	11/1906	Morgan
1,217,772	A	2/1917	Kade
1,318,564	A	10/1919	Jenkins
2,260,695	A	10/1941	Clyde
2,692,807	A	10/1954	Fred
2,843,418	A	7/1958	Gray
2,916,340	A	12/1959	Jackson
2,937,003	A	5/1960	Croll
3,092,918	A	6/1963	Haeussermann et al.
3,110,476	A	11/1963	Farris
3,152,833	A	10/1964	Creveling et al.
3,282,566	A	11/1966	Clarke
3,295,800	A	1/1967	Karl-Erik et al.
3,404,791	A	10/1968	Roy
3,444,830	A	5/1969	Doetsch
3,727,245	A	4/1973	Gerth
3,823,915	A	7/1974	Koehler
3,826,457	A	7/1974	De
4,072,288	A	2/1978	Wirges et al.
4,097,941	A	7/1978	Merkel
4,221,280	A	9/1980	Richards
4,249,749	A	2/1981	Collier
4,382,573	A	5/1983	Aondetto
4,403,680	A	9/1983	Hillesheimer
4,433,759	A	2/1984	Ichinose
4,448,386	A	5/1984	Moorhouse et al.
4,449,262	A	5/1984	Jahsman et al.
4,534,544	A	8/1985	Heide
4,549,720	A	10/1985	Bergenwall
4,558,648	A	12/1985	Franklin et al.
4,558,847	A	12/1985	Coates
4,577,821	A	3/1986	Edmo et al.
4,611,823	A	9/1986	Haas
4,625,657	A	12/1986	Little et al.
4,640,488	A	2/1987	Sakamoto
4,659,052	A	4/1987	Nagata
4,702,454	A	10/1987	Izumida
4,709,972	A	12/1987	LaBudde et al.
4,717,112	A	1/1988	Pirkle
4,741,512	A	5/1988	Elkuch et al.
4,753,419	A	6/1988	Johansson
4,826,123	A	5/1989	Hannah et al.
4,843,978	A	7/1989	Schmidt et al.
D302,893	S	8/1989	Wakefield
4,899,987	A	2/1990	Craig
4,909,159	A	3/1990	Gonsoulin
4,941,641	A	7/1990	Granzow et al.
4,967,672	A	11/1990	Leather
4,995,130	A	2/1991	Hahn et al.
5,037,163	A	8/1991	Hatcher
5,048,784	A	9/1991	Schwartz et al.

5,074,000	A	12/1991	Soltani et al.
5,211,367	A	5/1993	Musculus
5,251,864	A	10/1993	Itou
5,257,767	A	11/1993	McConnell
5,294,087	A	3/1994	Drabczyk et al.
5,400,720	A	3/1995	Stevens
5,460,460	A	10/1995	Alexander
5,580,027	A	12/1996	Brodersen
5,588,377	A	12/1996	Fahmian
5,588,727	A	12/1996	D'Agaro et al.
5,626,323	A	5/1997	Lechman et al.
5,632,209	A	5/1997	Sakakibara
5,694,864	A	12/1997	Langewellpott
5,695,173	A	12/1997	Ochoa et al.
5,722,513	A	3/1998	Rowan et al.
5,729,430	A	3/1998	Johnson
5,765,797	A	6/1998	Greene et al.
5,823,487	A	10/1998	Kirchhoff et al.
5,829,948	A	11/1998	Becklund
5,836,562	A	11/1998	Danzyger et al.
5,895,020	A	4/1999	Danzyger et al.
5,926,876	A	7/1999	Haigh et al.
5,957,426	A	9/1999	Brodersen
6,076,785	A	6/2000	Oddsan, Jr.
6,098,961	A	8/2000	Gionet
6,135,546	A	10/2000	Demtchouk
6,148,739	A	11/2000	Martin
6,176,456	B1	1/2001	Wisniewski
6,179,261	B1	1/2001	Lin
6,220,558	B1	4/2001	Broder et al.
6,269,753	B1	8/2001	Roddan
6,273,382	B1	8/2001	Pemberton
6,381,335	B2	4/2002	Juszkiewicz et al.
6,488,248	B1	12/2002	Watt et al.
6,516,478	B2	2/2003	Cook et al.
6,533,229	B1	3/2003	Hung
6,533,479	B2	3/2003	Kochanski
6,550,740	B1	4/2003	Burer
6,672,430	B2	1/2004	Boucher et al.
6,701,853	B1	3/2004	Hwang
6,702,372	B2	3/2004	Tholkes et al.
6,722,618	B1	4/2004	Wu
6,742,768	B2	6/2004	Alba
6,792,876	B2	9/2004	Lin
6,857,493	B2	2/2005	Shupp et al.
6,938,866	B2	9/2005	Kirchhoff
7,048,236	B2	5/2006	Benden et al.
7,188,813	B2	3/2007	Kollar
7,204,193	B2	4/2007	Scherrer et al.
7,207,629	B2	4/2007	Goetz et al.
7,246,784	B1	7/2007	Lopez
7,568,675	B2	8/2009	Catton
7,575,205	B2	8/2009	Kirchhoff
7,677,518	B2	3/2010	Chouinard et al.
D622,350	S	8/2010	Gramegna et al.
7,793,597	B2	9/2010	Bart et al.
7,841,570	B2	11/2010	Mileos et al.
7,845,665	B2	12/2010	Borisoff
7,946,551	B1	5/2011	Cvek
7,950,338	B2	5/2011	Smed
7,988,232	B2	8/2011	Weber et al.
8,015,638	B2	9/2011	Shimada et al.
8,132,518	B2	3/2012	Kim et al.
8,303,062	B2	11/2012	Zanelli
8,469,152	B2	6/2013	Olsen et al.
8,490,933	B2	7/2013	Papic et al.
8,544,391	B2	10/2013	Knox et al.
8,671,853	B2	3/2014	Flaherty
8,684,339	B2	4/2014	Deml et al.
8,800,976	B2	8/2014	Bethina et al.
8,931,750	B2	1/2015	Kohl et al.
8,950,343	B2	2/2015	Huang
9,049,923	B1	6/2015	Delagey et al.
9,055,810	B2	6/2015	Flaherty
9,113,703	B2	8/2015	Flaherty
9,133,974	B2	9/2015	Tholkes et al.
9,133,976	B2	9/2015	Lin et al.
9,232,855	B2	1/2016	Ergun et al.
9,326,598	B1	5/2016	West et al.

(56)

## References Cited

## U.S. PATENT DOCUMENTS

9,440,559	B2	9/2016	Gundall et al.
9,480,332	B2	11/2016	Han
9,504,316	B1	11/2016	Streicher et al.
9,554,644	B2	1/2017	Flaherty et al.
9,668,572	B2	6/2017	Ergun et al.
9,681,746	B1	6/2017	Chen
9,809,136	B2	11/2017	Haller et al.
9,815,672	B2	11/2017	Baudermann
9,854,904	B2	1/2018	Getz
9,955,780	B2	5/2018	Koch
9,961,991	B1	5/2018	Chen
9,981,571	B2	5/2018	Garing
9,993,068	B2	6/2018	Lin et al.
10,018,298	B2	7/2018	Goldish et al.
10,023,355	B2	7/2018	Taylor et al.
D830,739	S	10/2018	Min
10,114,352	B2	10/2018	Matlin
D832,623	S	11/2018	Flaherty et al.
10,123,613	B2	11/2018	Hall et al.
10,159,336	B2	12/2018	Liao et al.
D841,014	S	2/2019	Laudadio et al.
D845,037	S	4/2019	Min
D845,678	S	4/2019	Laudadio et al.
10,244,861	B1	4/2019	Poniatowski
10,258,148	B1	4/2019	Donner et al.
10,258,149	B2	4/2019	Zhong
10,264,877	B2	4/2019	Hu et al.
10,306,977	B2	6/2019	Wong
D854,775	S	7/2019	Chang et al.
10,405,647	B2	9/2019	Laudadio et al.
10,413,055	B2	9/2019	Laudadio et al.
D862,936	S	10/2019	Laudadio et al.
10,485,336	B1	11/2019	Laudadio et al.
D870,490	S	12/2019	Hu
10,499,730	B2	12/2019	Kim et al.
10,517,390	B2	12/2019	Xiang et al.
10,524,565	B2	1/2020	Ergun et al.
10,542,817	B2	1/2020	Swartz et al.
10,544,019	B2	1/2020	Kochie et al.
10,568,416	B1	2/2020	Poniatowski
10,575,630	B1	3/2020	Poniatowski
D901,959	S	11/2020	Chang
10,849,424	B2	12/2020	Laudadio et al.
10,869,549	B2	12/2020	Xiang et al.
10,893,748	B1	1/2021	Poniatowski
11,058,217	B2	7/2021	Laudadio et al.
11,083,282	B1	8/2021	Liu
11,134,773	B1	10/2021	Poniatowski
11,134,774	B1	10/2021	Poniatowski
11,140,977	B1	10/2021	Poniatowski
11,147,366	B1	10/2021	Poniatowski
11,160,367	B1	11/2021	Poniatowski
11,219,307	B2	1/2022	Laudadio et al.
11,388,989	B1	7/2022	Poniatowski
11,388,991	B1	7/2022	Poniatowski
11,395,544	B1	7/2022	Poniatowski
11,464,325	B1	10/2022	Poniatowski
11,470,959	B1	10/2022	Poniatowski
11,717,080	B2	8/2023	Laudadio et al.
11,771,218	B2	10/2023	Laudadio et al.
11,800,927	B1	10/2023	Poniatowski
2003/0042380	A1	3/2003	Hagglund et al.
2003/0213415	A1	11/2003	Ross et al.
2004/0035332	A1	2/2004	Lin
2004/0040480	A1	3/2004	Hwang
2005/0029849	A1	2/2005	Goetz et al.
2005/0120922	A1	6/2005	Brooks
2007/0001077	A1	1/2007	Kirchhoff
2007/0080564	A1	4/2007	Chen
2007/0266912	A1	11/2007	Swain
2007/0295882	A1	12/2007	Catton
2008/0000393	A1	1/2008	Wilson et al.
2009/0090832	A1	4/2009	Mileos et al.
2009/0145336	A1	6/2009	Kenny
2009/0146389	A1	6/2009	Borisoff
2009/0200437	A1	8/2009	Smed
2010/0242174	A1	9/2010	Morrison et al.
2010/0257671	A1	10/2010	Shimada et al.
2011/0001033	A1	1/2011	Kohl et al.
2011/0024958	A1	2/2011	Deml et al.
2012/0060291	A1	3/2012	Gamman et al.
2012/0097822	A1	4/2012	Hammarškiöld
2012/0188302	A1	7/2012	Zanelli
2013/0145972	A1	6/2013	Knox et al.
2013/0193392	A1	8/2013	McGinn
2013/0199420	A1	8/2013	Hjelm
2013/0340655	A1	12/2013	Flaherty
2014/0144352	A1	5/2014	Roberts
2014/0158026	A1	6/2014	Flaherty
2014/0248114	A1	9/2014	Sawyer
2014/0339747	A1	11/2014	Bethina et al.
2014/0360411	A1	12/2014	Hatter
2015/0028787	A1	1/2015	Sekine et al.
2015/0216296	A1	8/2015	Mitchell
2015/0231992	A1	8/2015	Gundall et al.
2015/0232005	A1	8/2015	Haller et al.
2015/0274038	A1	10/2015	Garing
2015/0289641	A1	10/2015	Ergun et al.
2015/0368082	A1	12/2015	Davis et al.
2015/0375896	A1	12/2015	Taylor et al.
2016/0051042	A1	2/2016	Koch
2016/0060084	A1	3/2016	Baudermann
2016/0106205	A1	4/2016	Hall et al.
2016/0170402	A1	6/2016	Lindström
2016/0249737	A1	9/2016	Han
2016/0258573	A1	9/2016	Goldish et al.
2016/0260019	A1	9/2016	Ruiz et al.
2016/0309889	A1	10/2016	Lin et al.
2016/0338486	A1	11/2016	Martin
2016/0353880	A1	12/2016	Sigal et al.
2017/0071332	A1	3/2017	Herring et al.
2017/0174486	A1	6/2017	Kochie et al.
2017/0196351	A1	7/2017	Failing
2017/0354245	A1	12/2017	Martin et al.
2017/0360192	A1	12/2017	Hu
2018/0008037	A1	1/2018	Laudadio
2018/0055214	A1	3/2018	Kim et al.
2018/0103752	A1	4/2018	Zhong
2018/0125227	A1	5/2018	Xiang et al.
2018/0160799	A1	6/2018	Westergård et al.
2018/0177289	A1	6/2018	Chen
2018/0213929	A1	8/2018	Ergun et al.
2018/0255919	A1	9/2018	Swartz et al.
2018/0279770	A1	10/2018	Crowe et al.
2018/0360208	A1	12/2018	Liao et al.
2019/0110588	A1	4/2019	Wong
2019/0183239	A1	6/2019	Semmelrath et al.
2019/0269237	A1	9/2019	Zhu
2020/0029685	A1	1/2020	Du et al.
2020/0107633	A1	4/2020	Kang
2023/0329430	A1	10/2023	Laudadio et al.

## FOREIGN PATENT DOCUMENTS

AU	2014216002	A1	3/2015
CA	2814945	C	4/2019
CN	1142343	A	2/1997
CN	2637251	Y	9/2004
CN	2781893	Y	5/2006
CN	201657970	U	12/2010
CN	102599728	A	7/2012
CN	202681005	U	1/2013
CN	202681013	U	1/2013
CN	202874336	U	4/2013
CN	101711220	B	11/2013
CN	203333240	U	12/2013
CN	103653780	A	3/2014
CN	203934825	U	11/2014
CN	204541230	U	8/2015
CN	105124920	A	12/2015
CN	204949970	U	1/2016
CN	104692286	B	4/2017
CN	104540707	B	5/2017
CN	107048694	A	8/2017

(56)

References Cited

FOREIGN PATENT DOCUMENTS

CN	107048695	A	8/2017
CN	107212587	A	9/2017
CN	107744256	A	3/2018
CN	107756350	A	3/2018
CN	107912868	A	4/2018
CN	207186305	U	4/2018
CN	109008216	A	12/2018
CN	208403596	U	1/2019
CN	110840072	A	2/2020
CN	108024625	B	8/2021
DE	2851555	A1	6/1980
DE	8606822	U1	8/1991
DE	9302967	U1	4/1993
DE	4424564	A1	1/1996
DE	29515642	U1	1/1996
DE	69111809	T2	4/1996
DE	19526596	A1	12/2004
DE	102013008020	A1	11/2014
DE	202016101126	U1	6/2016
EP	0342779	B1	5/1993
EP	0531385	B1	8/1995
EP	0448340	B1	2/1996
EP	0613852	B1	11/1997
EP	2745733	A1	6/2014
EP	3092918	A1	11/2016
FR	2252835	A1	6/1975
FR	2637165	A1	4/1990
FR	2894794	A1	6/2007
FR	3028735	A1	5/2016
JP	2012030022	A	2/2012
JP	5861051	B2	2/2016
JP	2017045506	A	3/2017
KR	100802663	B1	2/2008
KR	20140004886	U	9/2014
KR	200479292	Y1	1/2016
KR	20160074221	A	6/2016
KR	101635611	B1	7/2016

KR	101747132	B1	6/2017
KR	101969133	B1	8/2019
NL	1011051	C2	7/2000
NL	2000346	C2	5/2008
TW	1531523	B	5/2016
WO	8304168	A1	12/1983
WO	8606053	A1	10/1986
WO	1986006054	A1	10/1986
WO	1988005759	A1	8/1988
WO	1991011979	A1	8/1991
WO	1991017906	A1	11/1991
WO	2008002373	A2	1/2008
WO	2014027010	A1	2/2014
WO	2014180572	A1	11/2014
WO	2015160825	A2	10/2015
WO	2016129971	A1	8/2016
WO	2016187212	A1	11/2016
WO	2016200318	A1	12/2016
WO	2017045506	A1	3/2017
WO	2017053200	A1	3/2017
WO	2018093007	A1	5/2018
WO	2019001506	A1	1/2019
WO	2019001507	A1	1/2019

OTHER PUBLICATIONS

Adjustable Desk: Varidesk, <http://www.varidesk.com>, United States of America, Mar. 30, 2013.

Ergotron, <http://www.ergotron.com>, United States of America, Sep. 29, 2014.

Levine, James A. "Sitting down is Killing you! Heart disease, obesity, depression and crumbling bones—a terrifying new book by a top doctor reveals they are all linked to the hours we spend in chairs" Daily Mail Online, Jul. 26, 2014, 9 pages [online], [retrieved on Jun. 30, 2017]. Retrieved from the Internet at: <http://www.dailymail.co.uk/news/article-2706317>.

Lohr, Steve, Taking a Stand for Office Ergonomics, Dec. 1, 2012, New York Times, United States, retrieved from <http://www.nytimes.com/2012/12/02/business/stand-up-desks-gaining-favor-in-the-workplace.html> on Aug. 29, 2022.

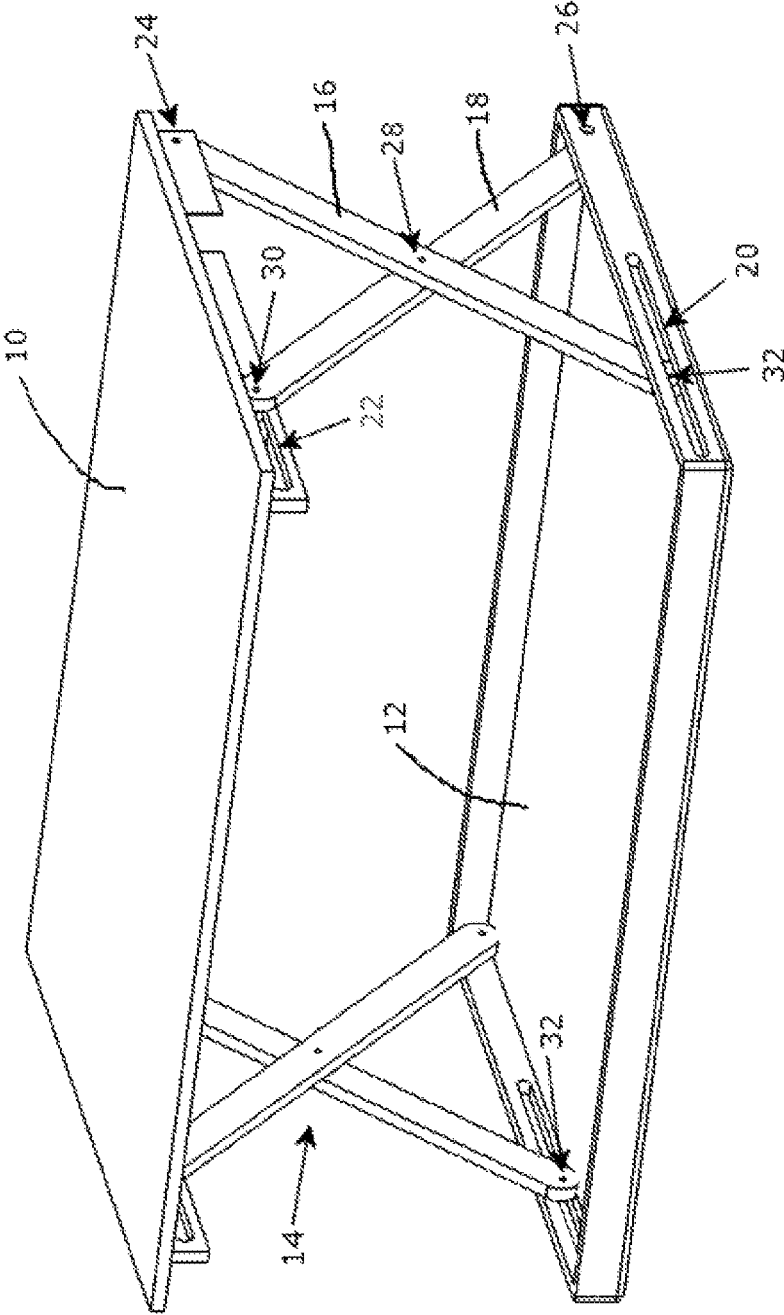


FIG. 1

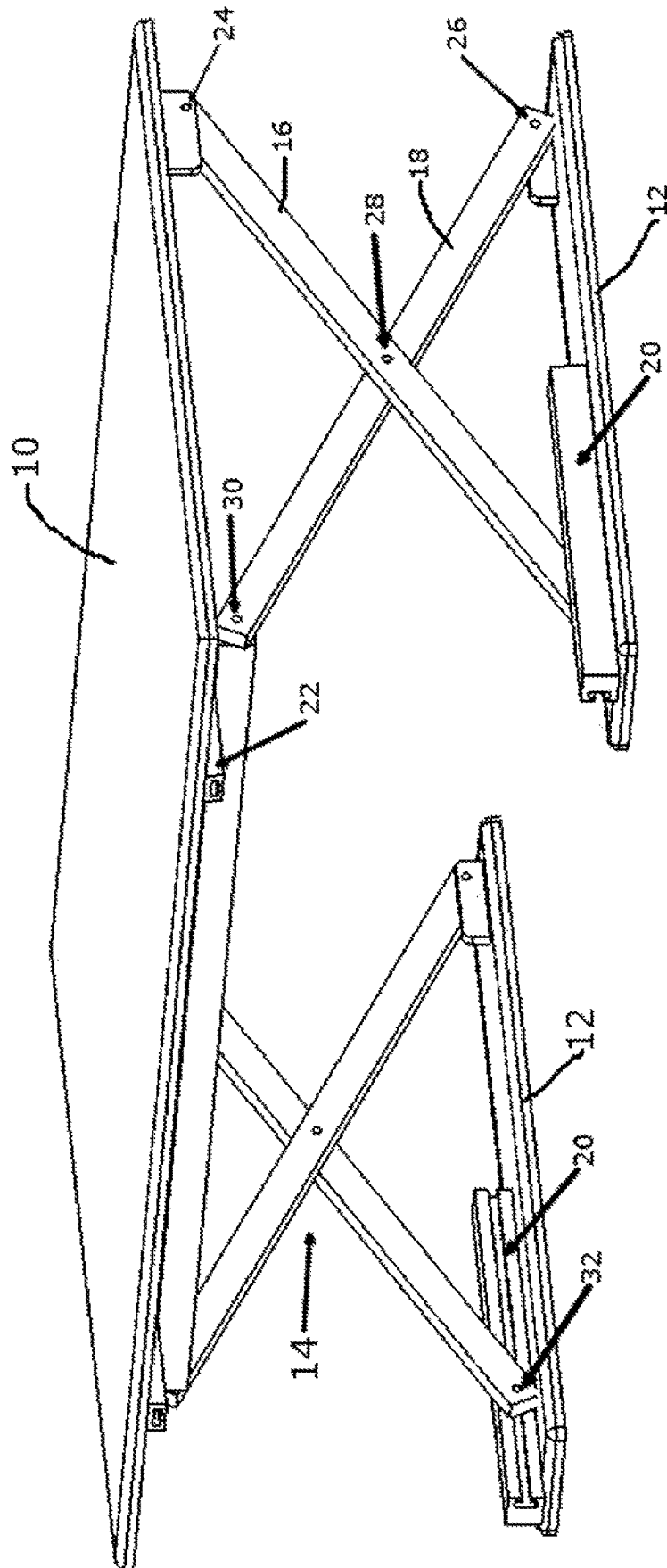


FIG. 1B



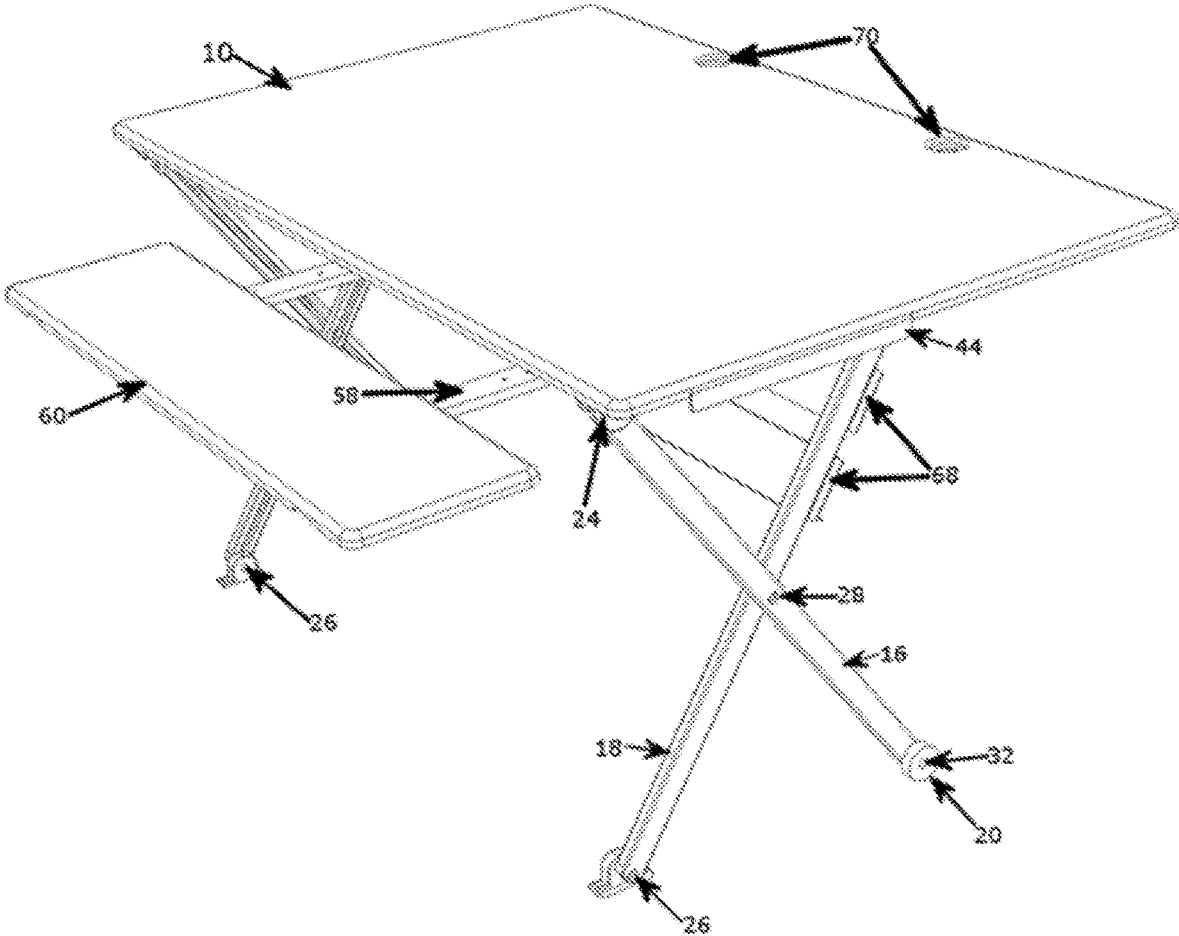


FIG. 1D



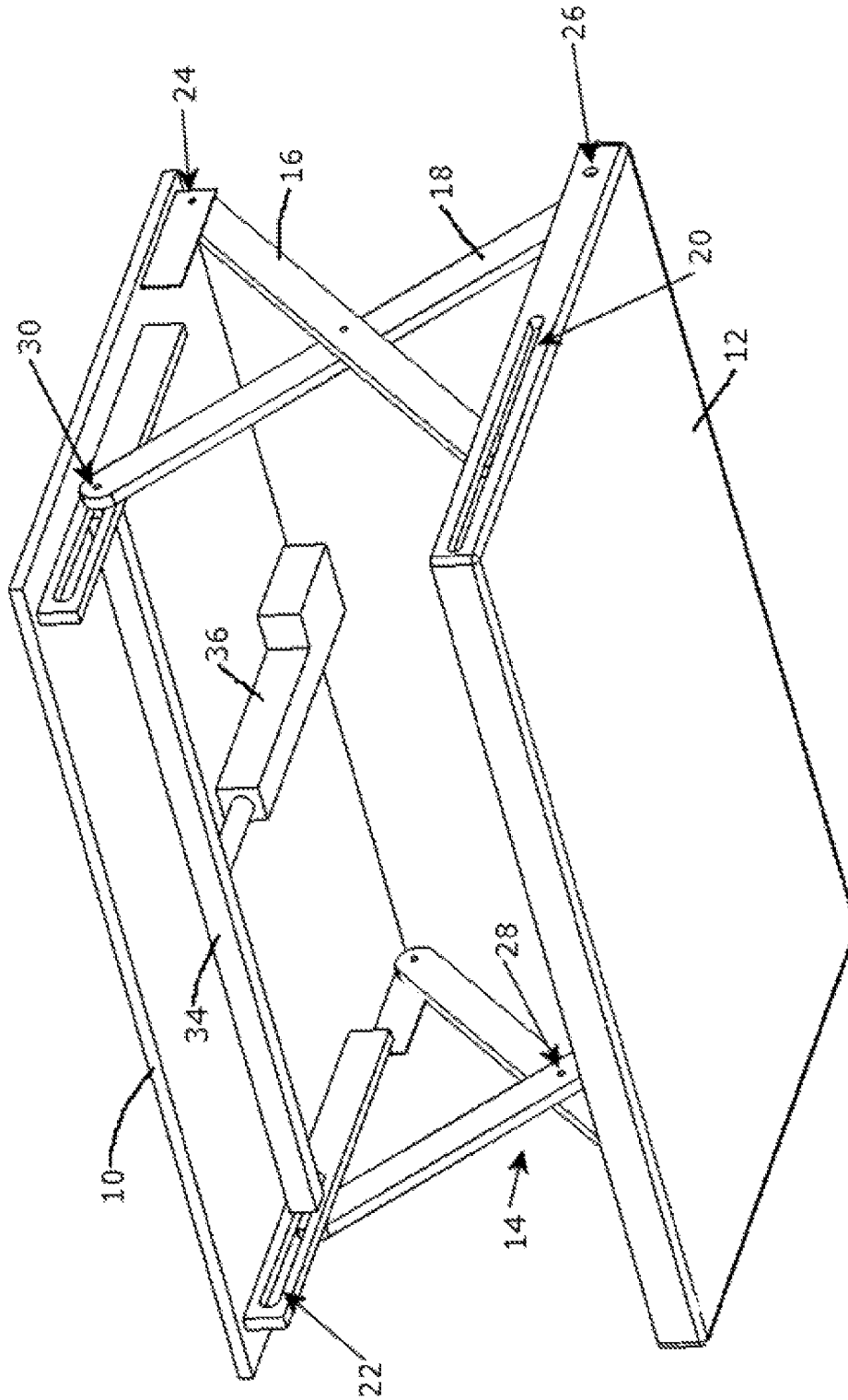


FIG. 2

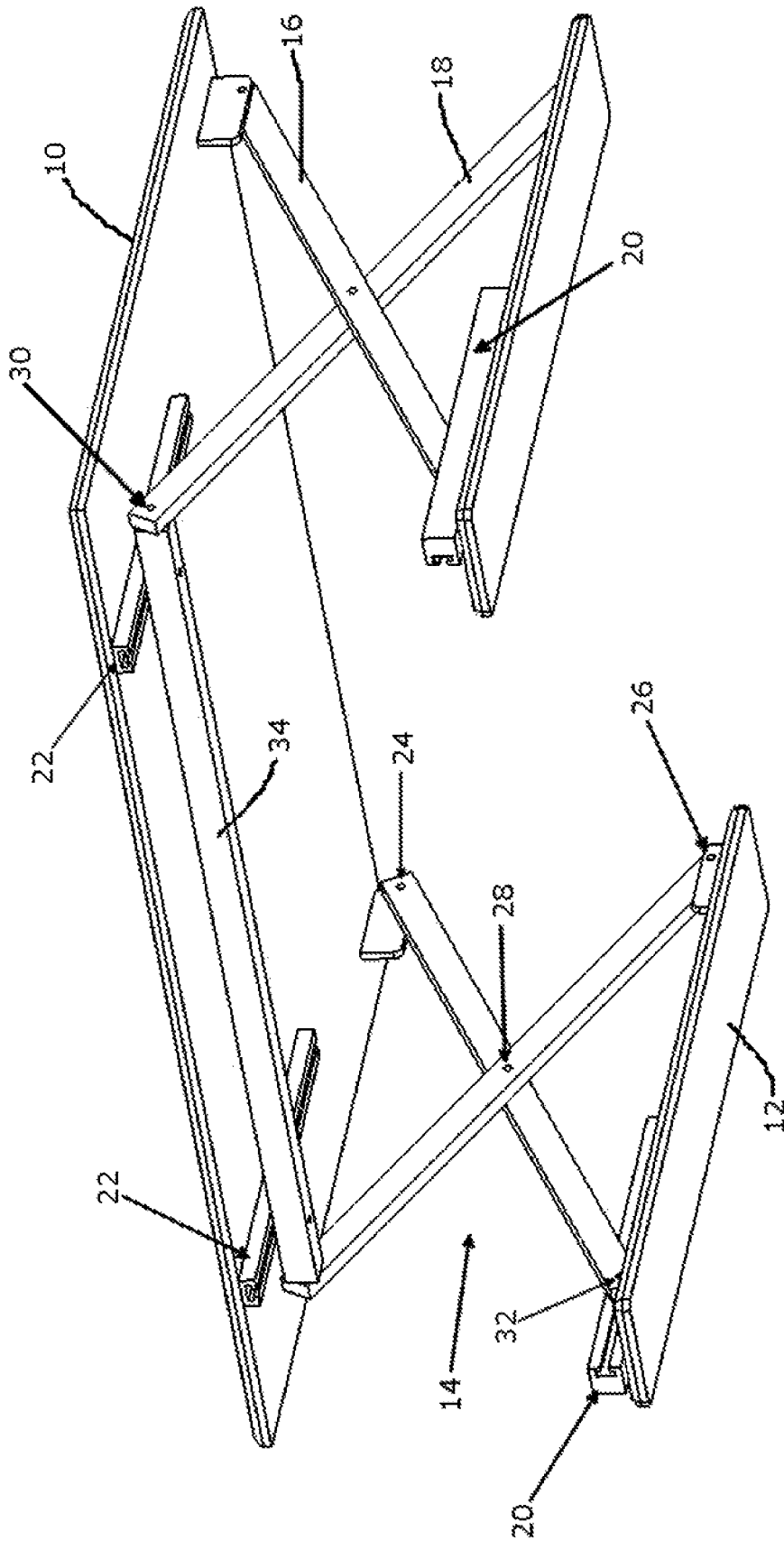


FIG. 2B

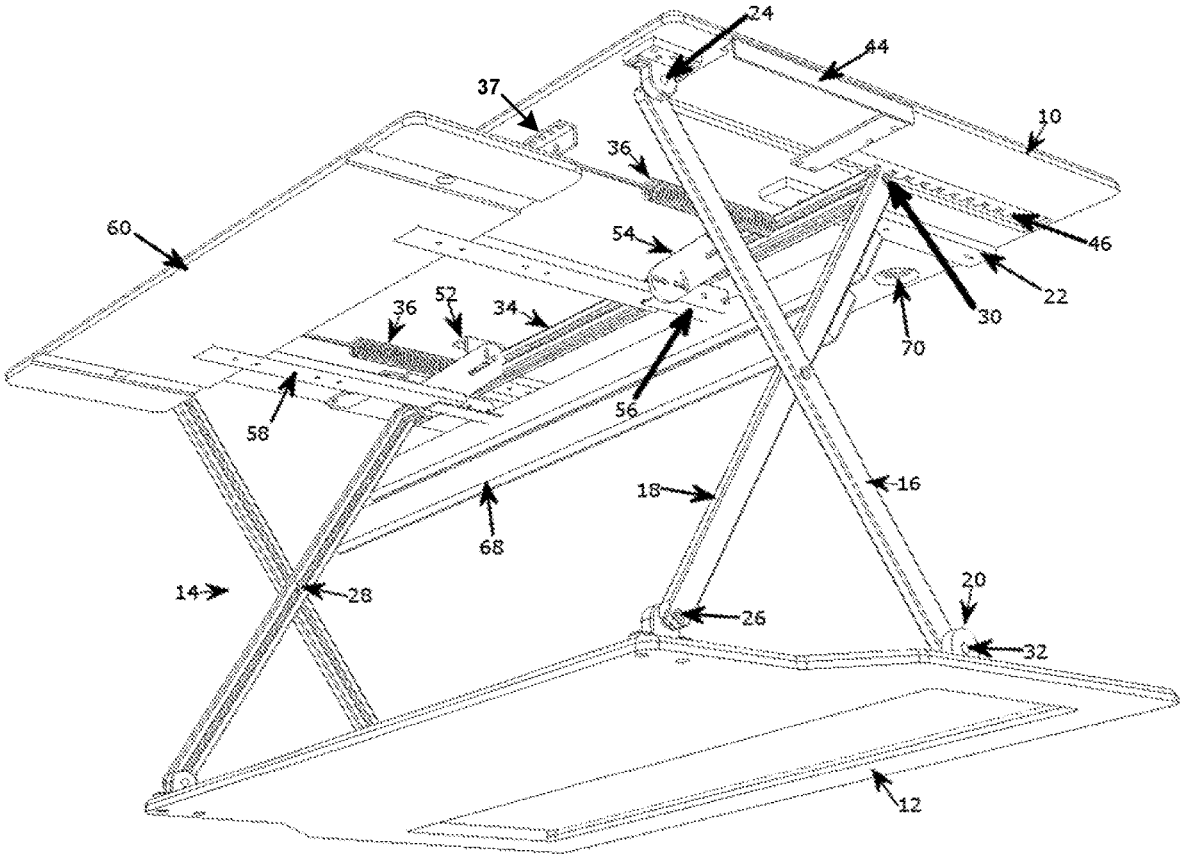


FIG. 2C

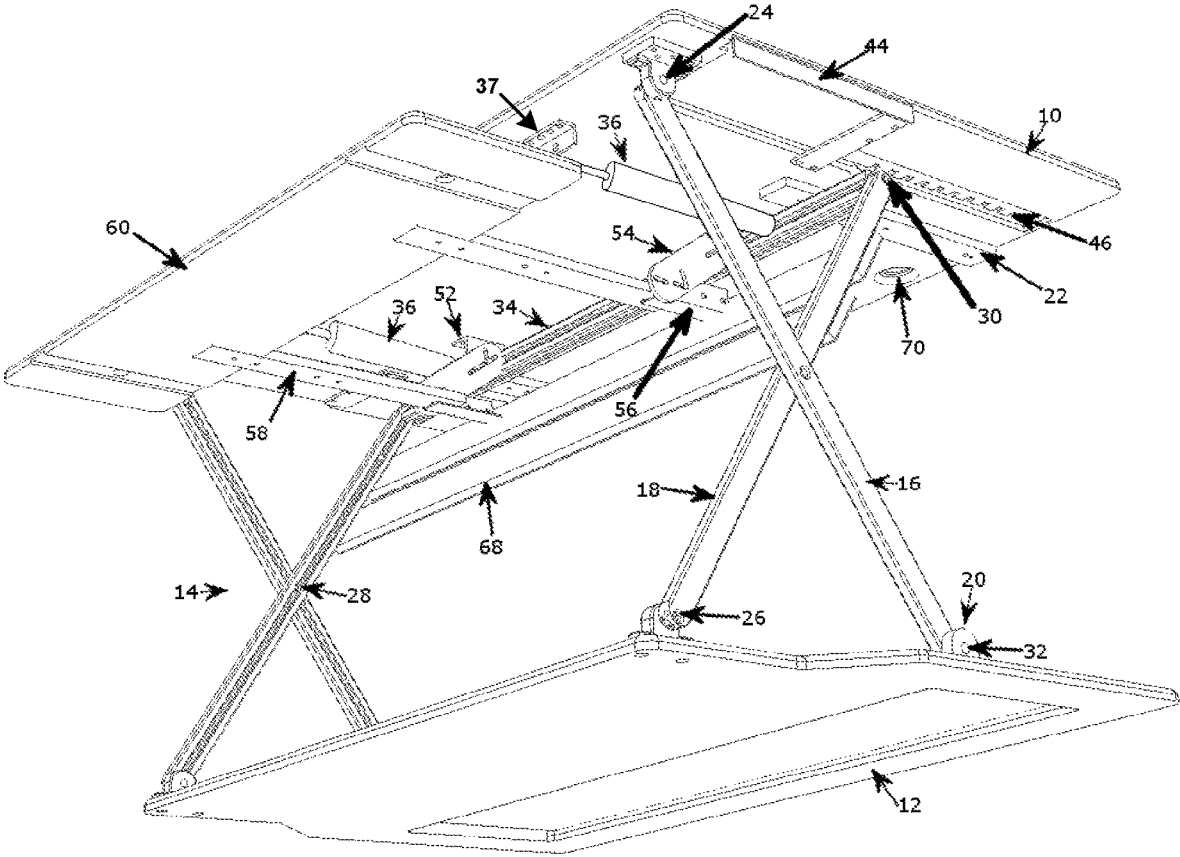


FIG. 2D

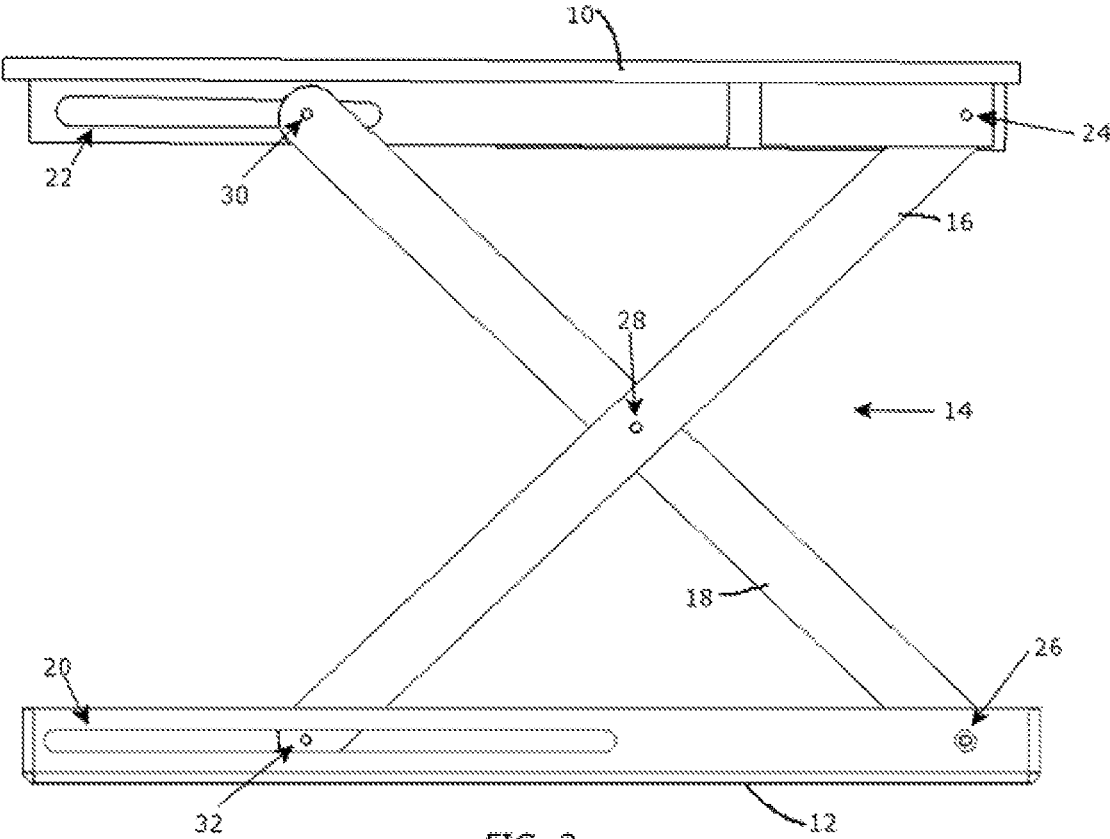
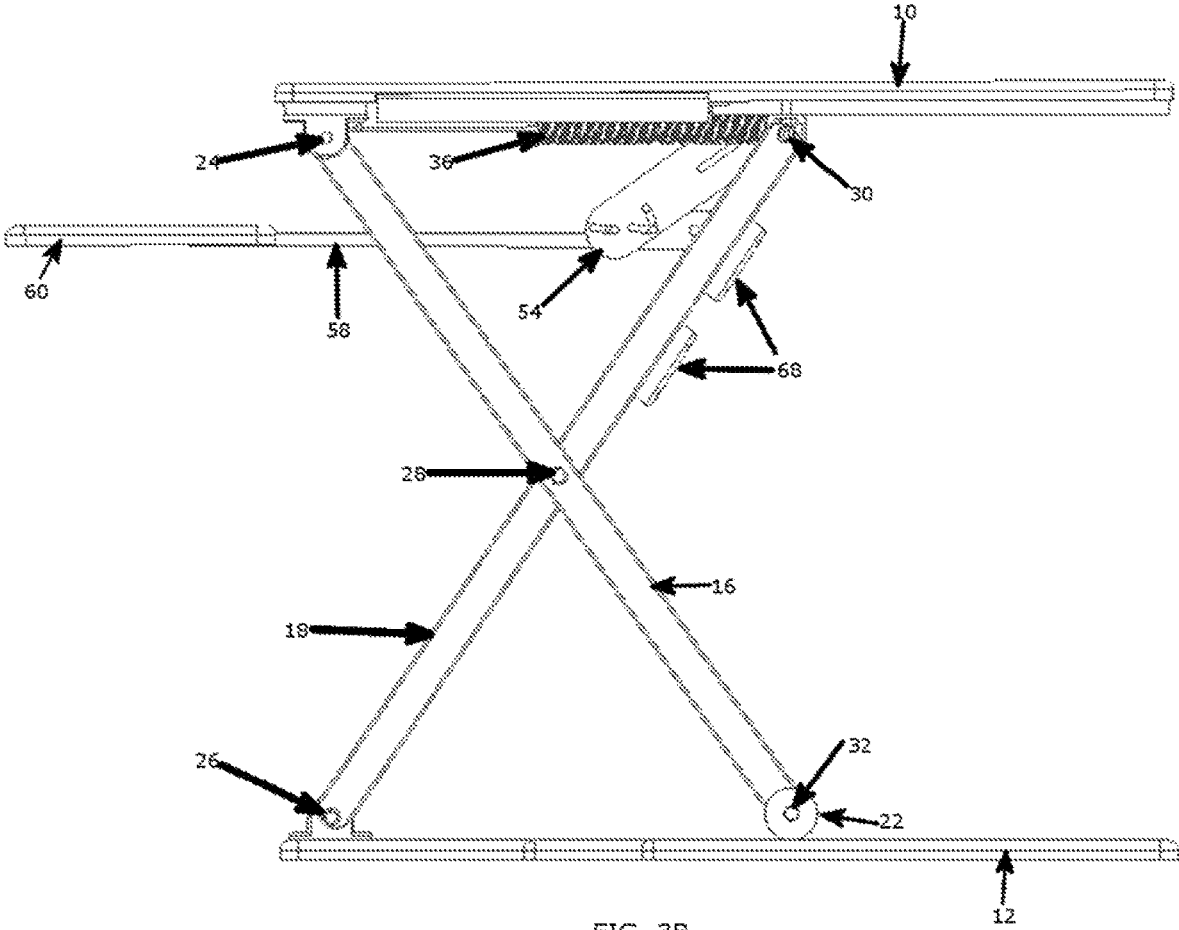


FIG. 3



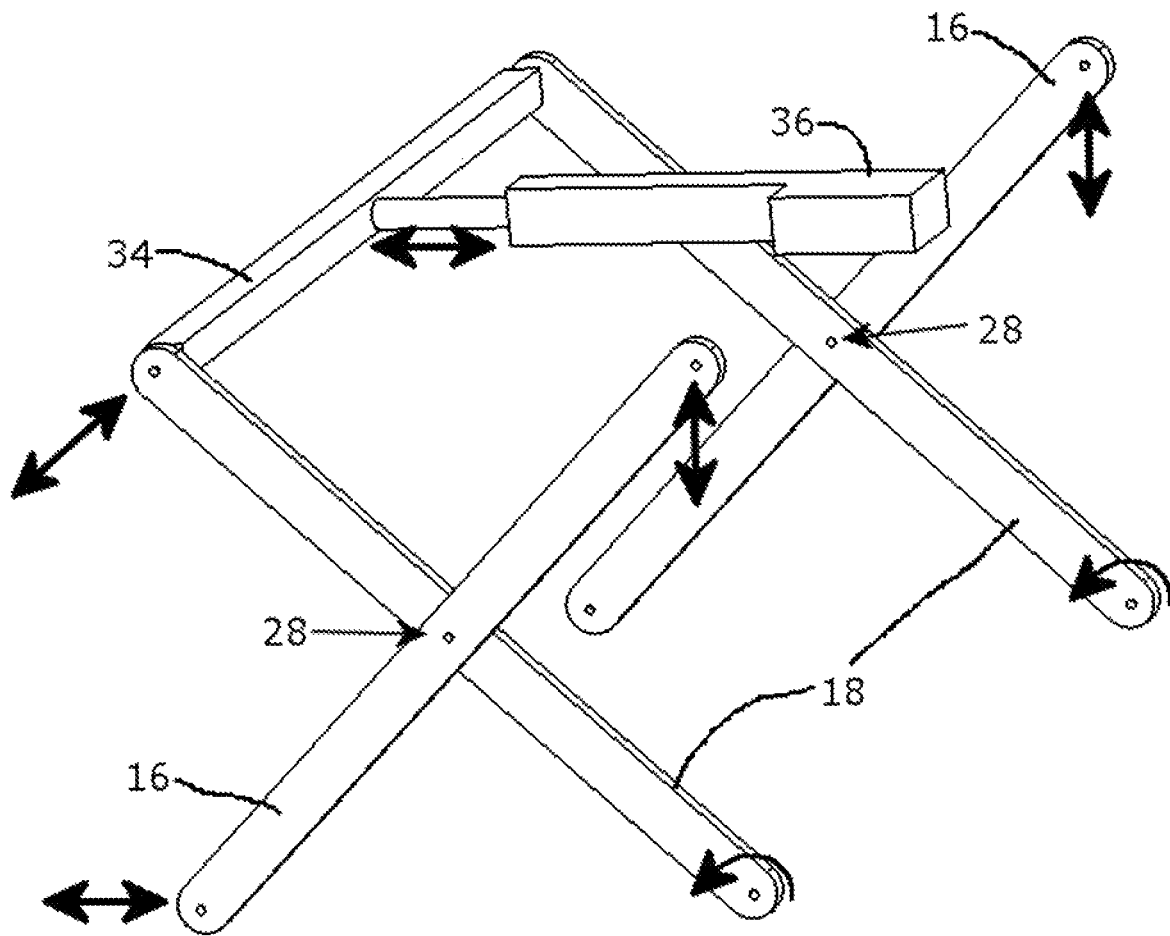


FIG. 4

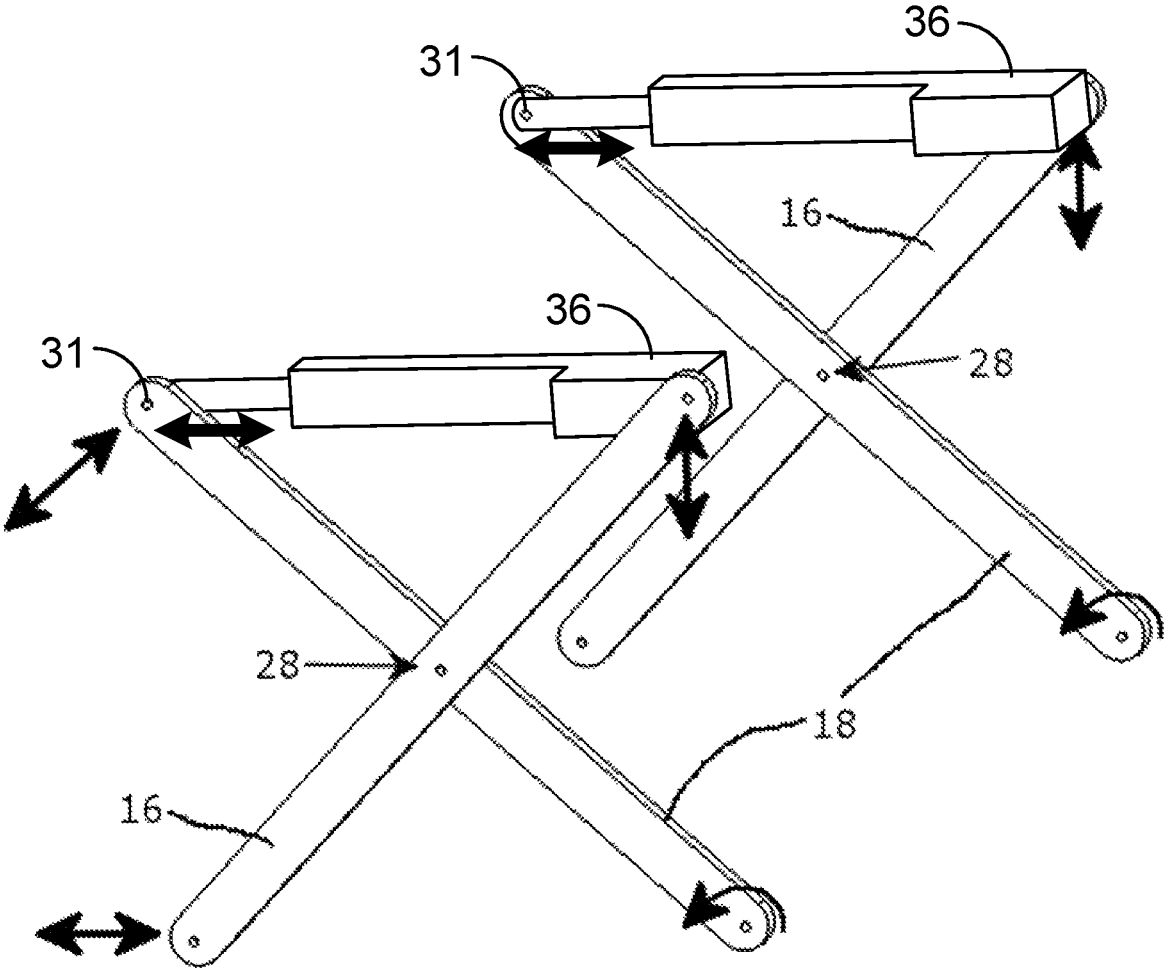


FIG. 4B



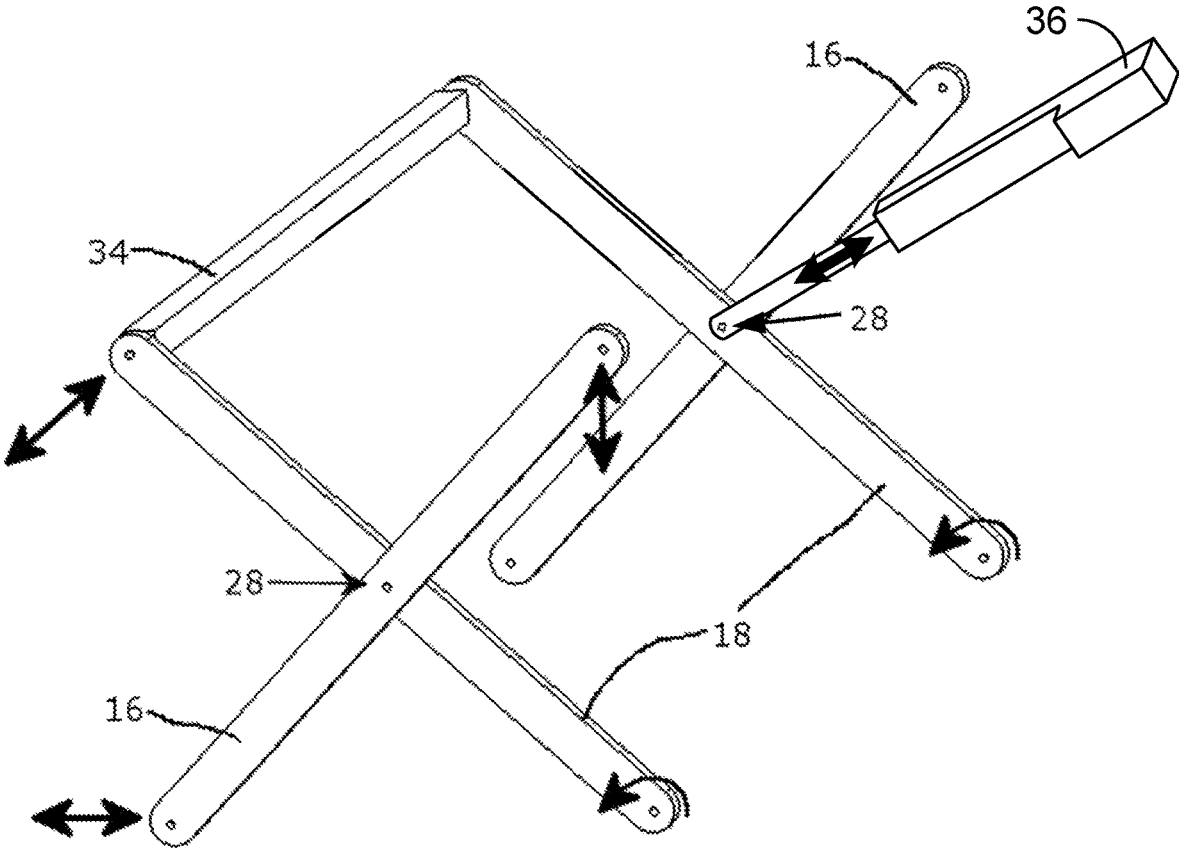
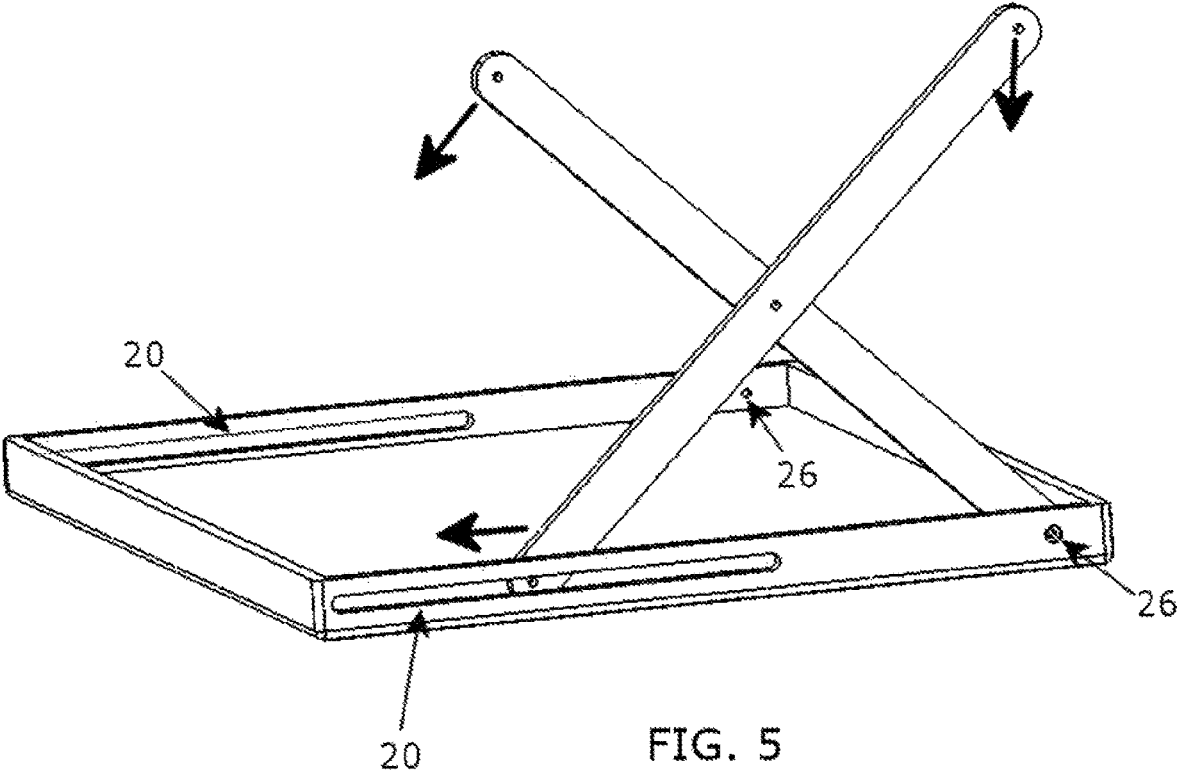


FIG. 4C



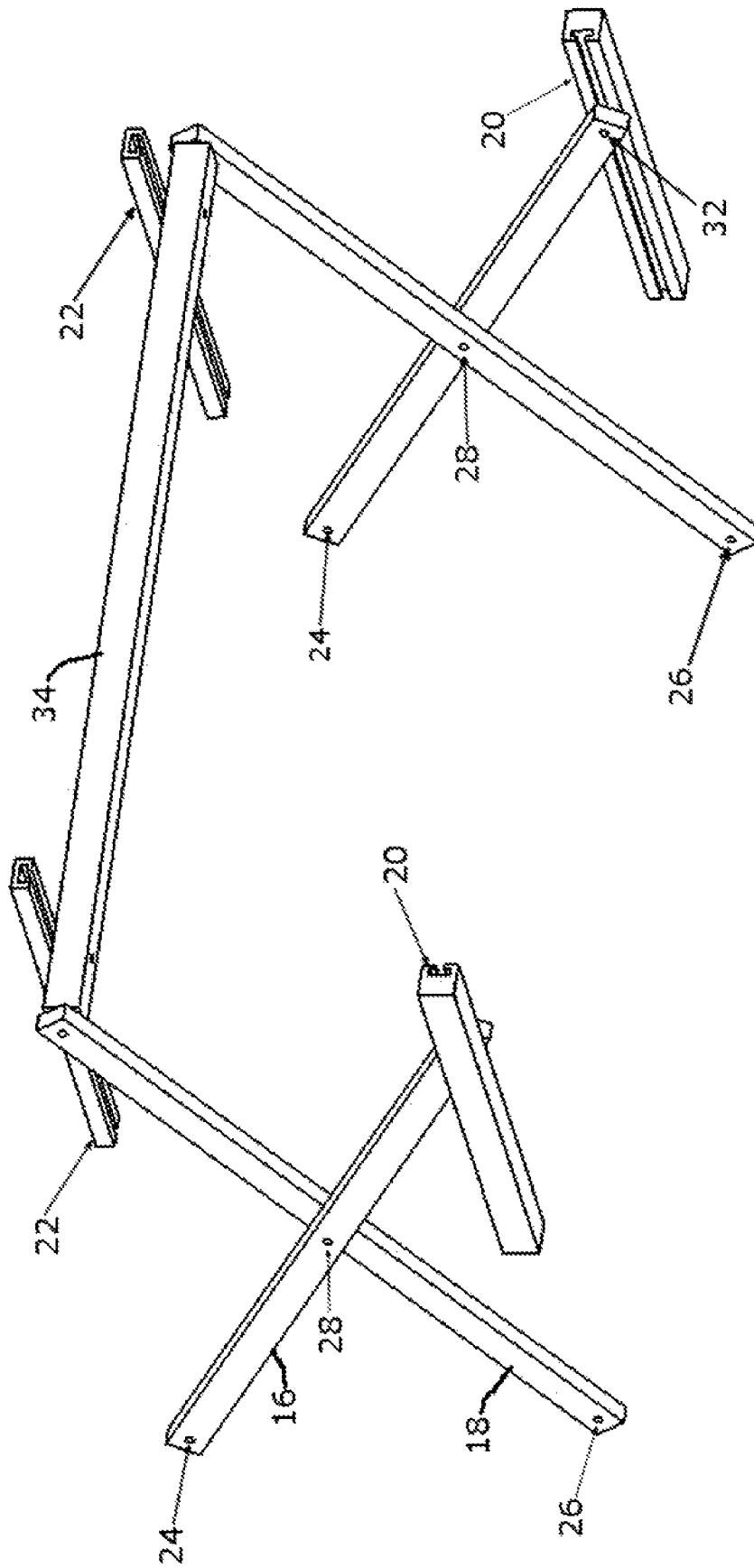


FIG. 5B

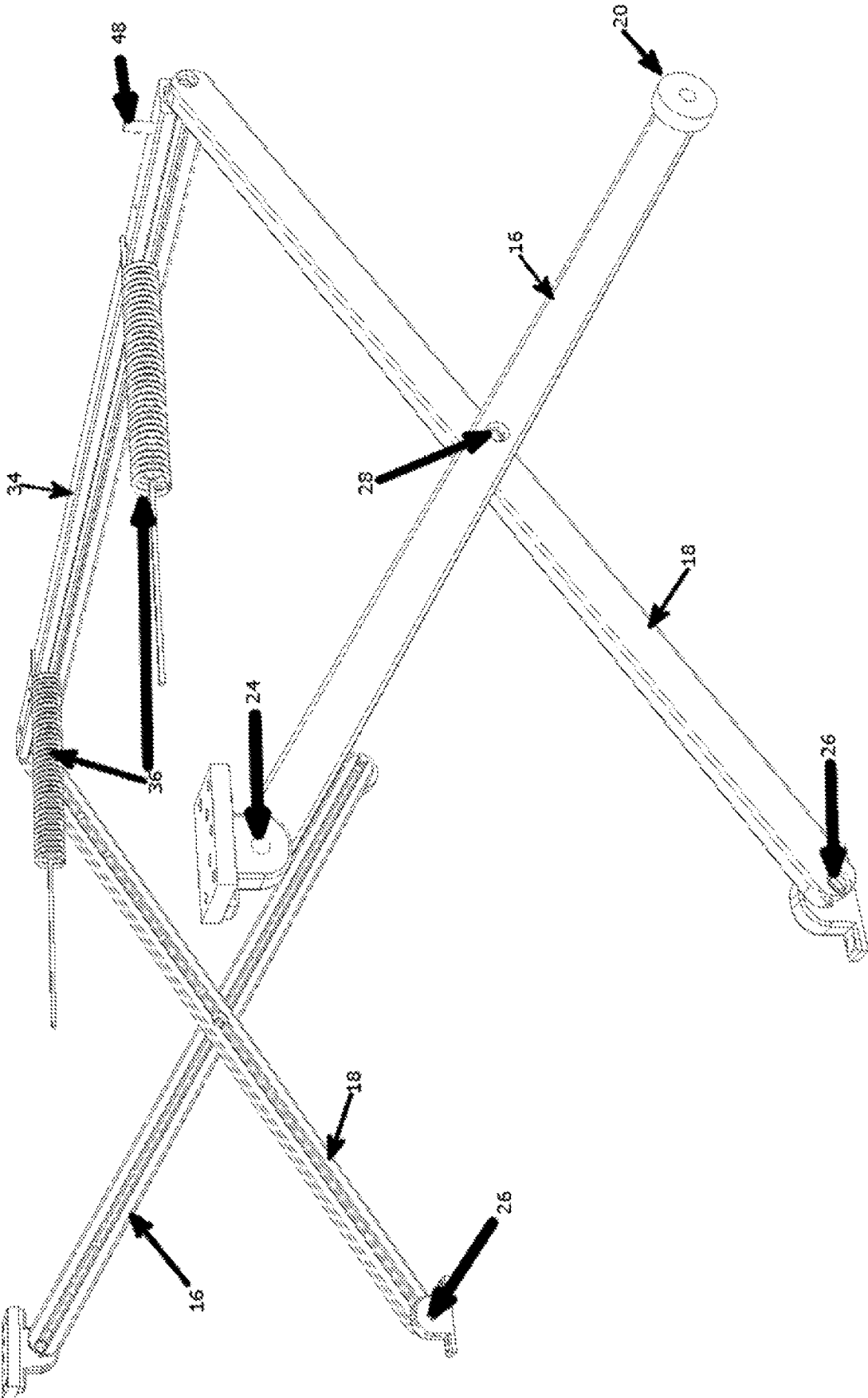


FIG. 5C

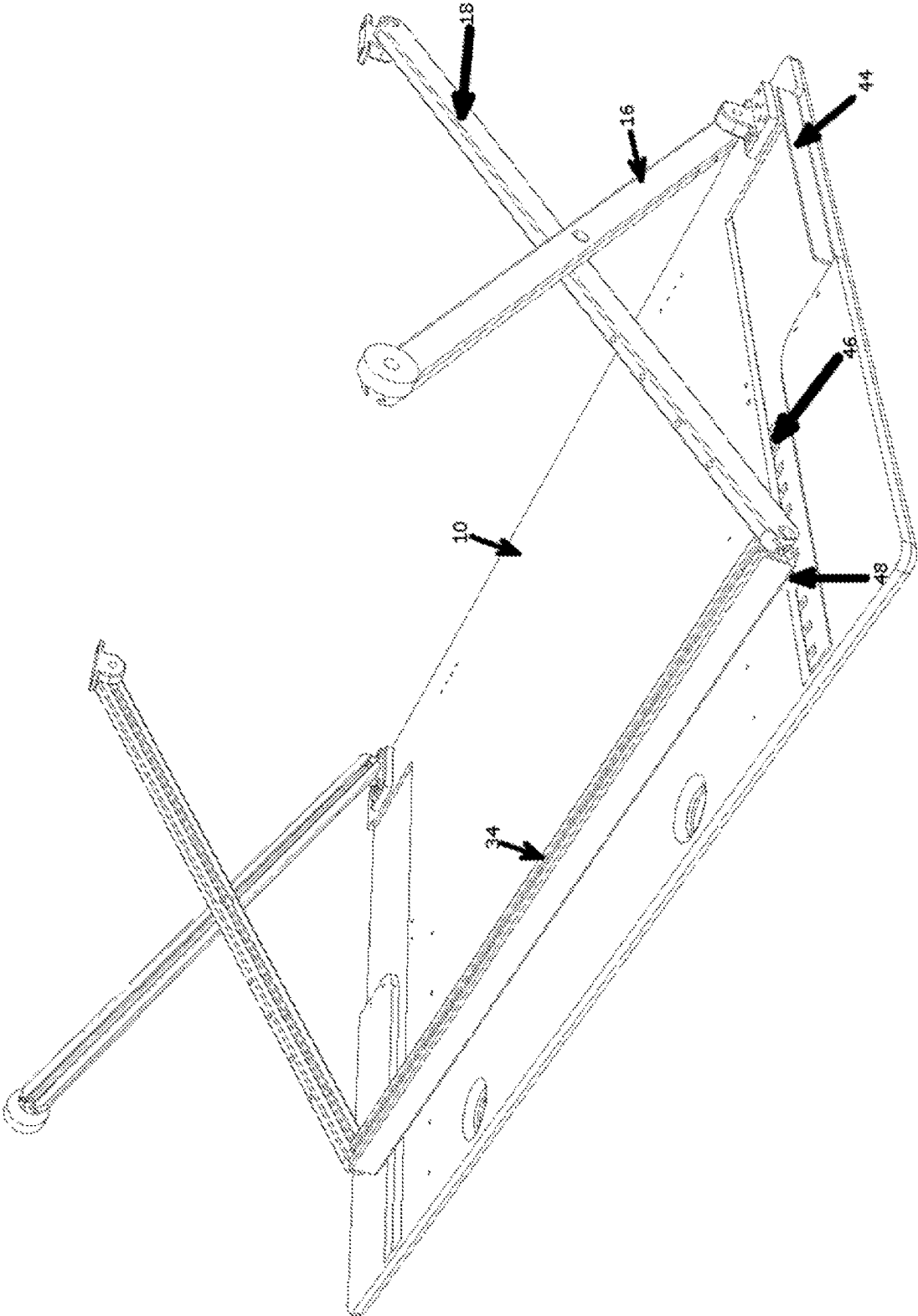


FIG. 5D

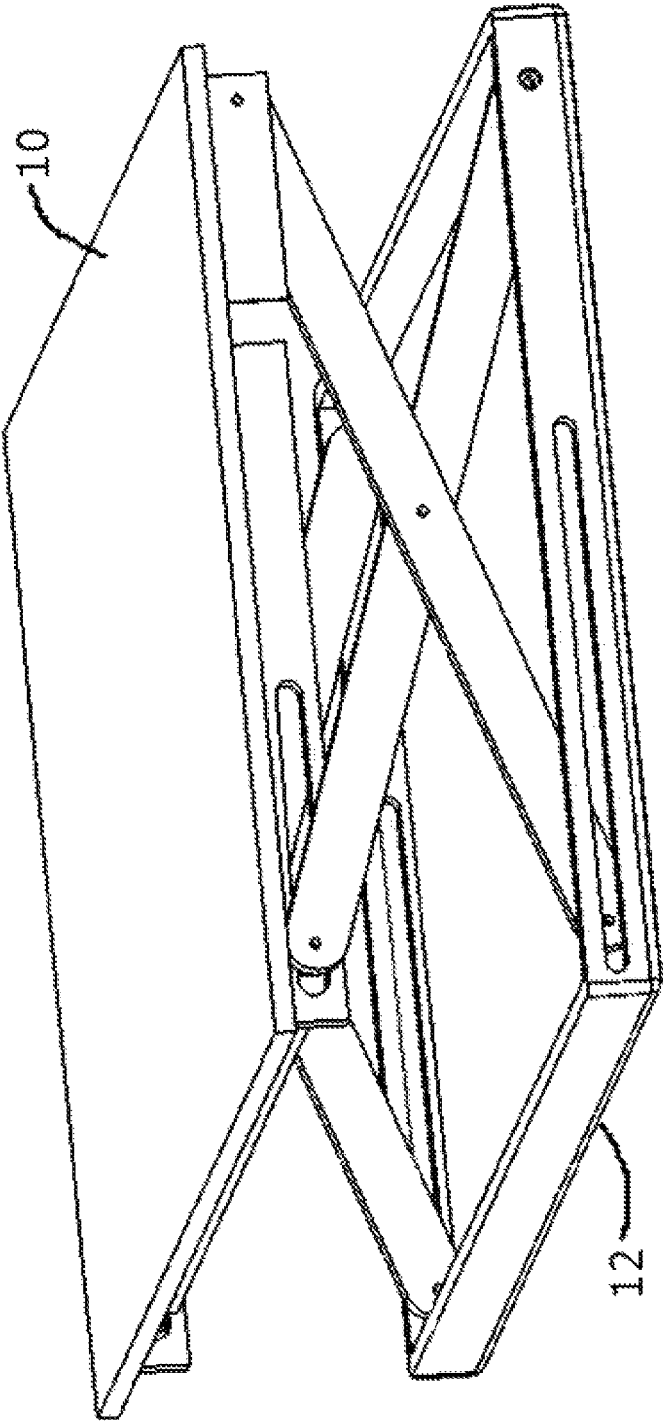


FIG. 6

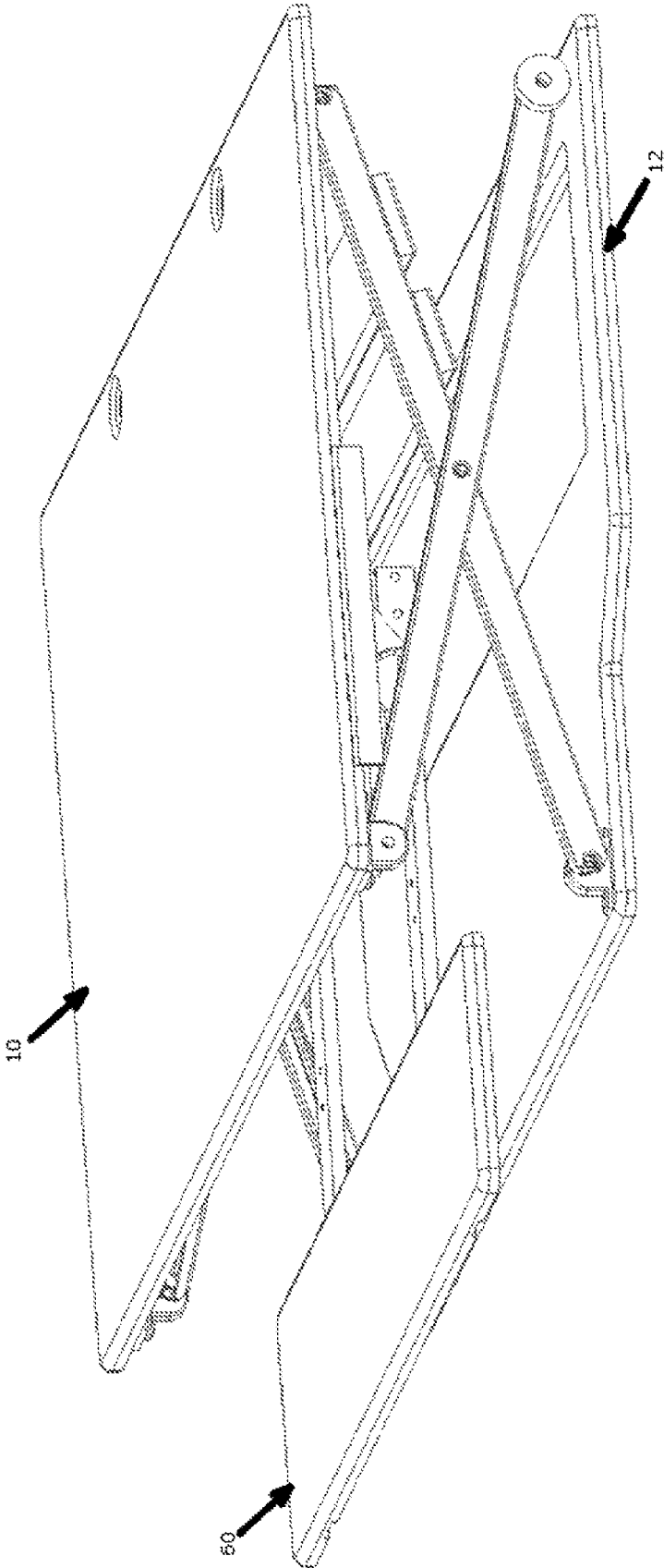


FIG. 6B

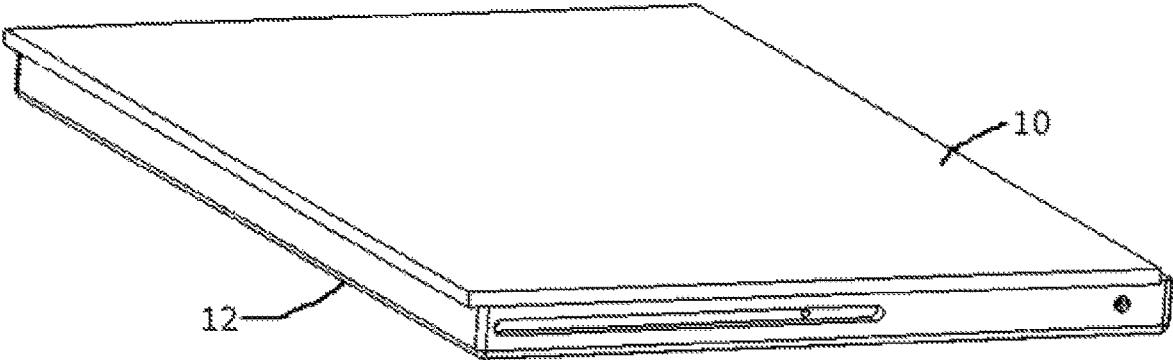


FIG. 7



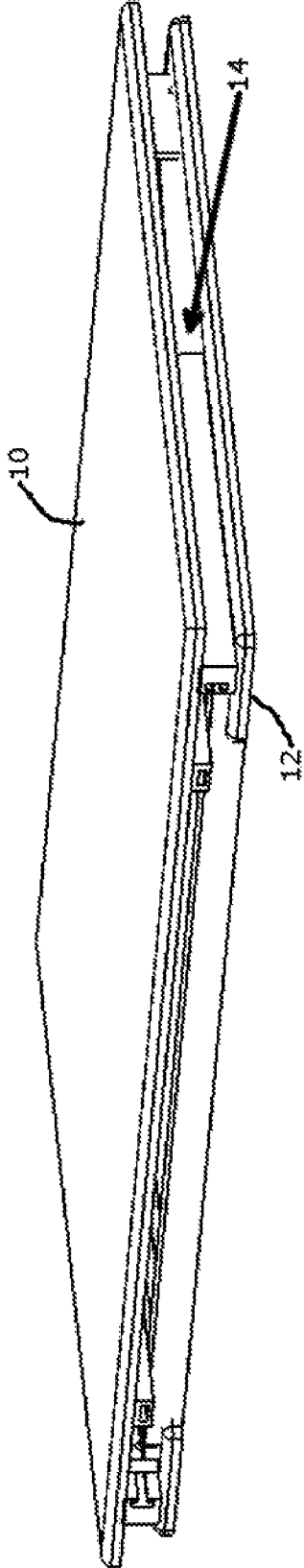


FIG. 7B

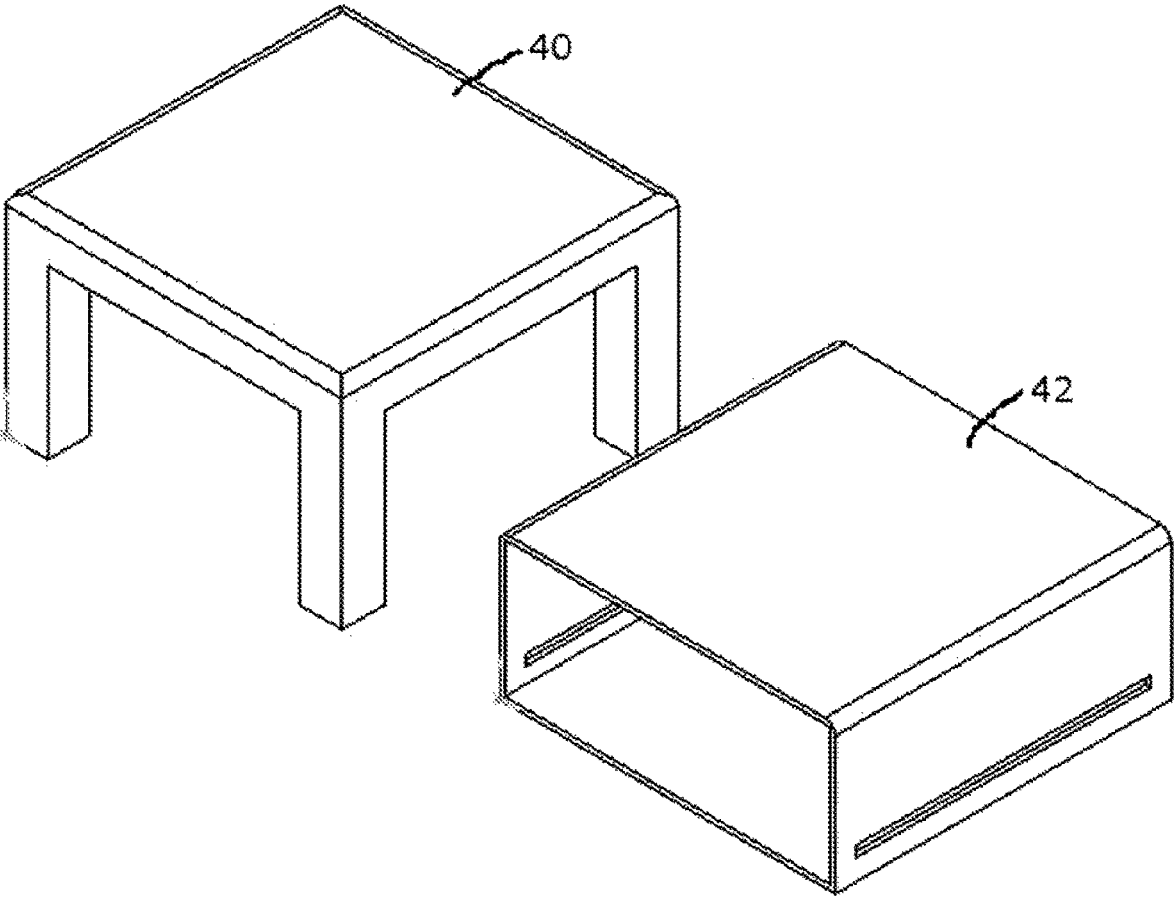


FIG. 8

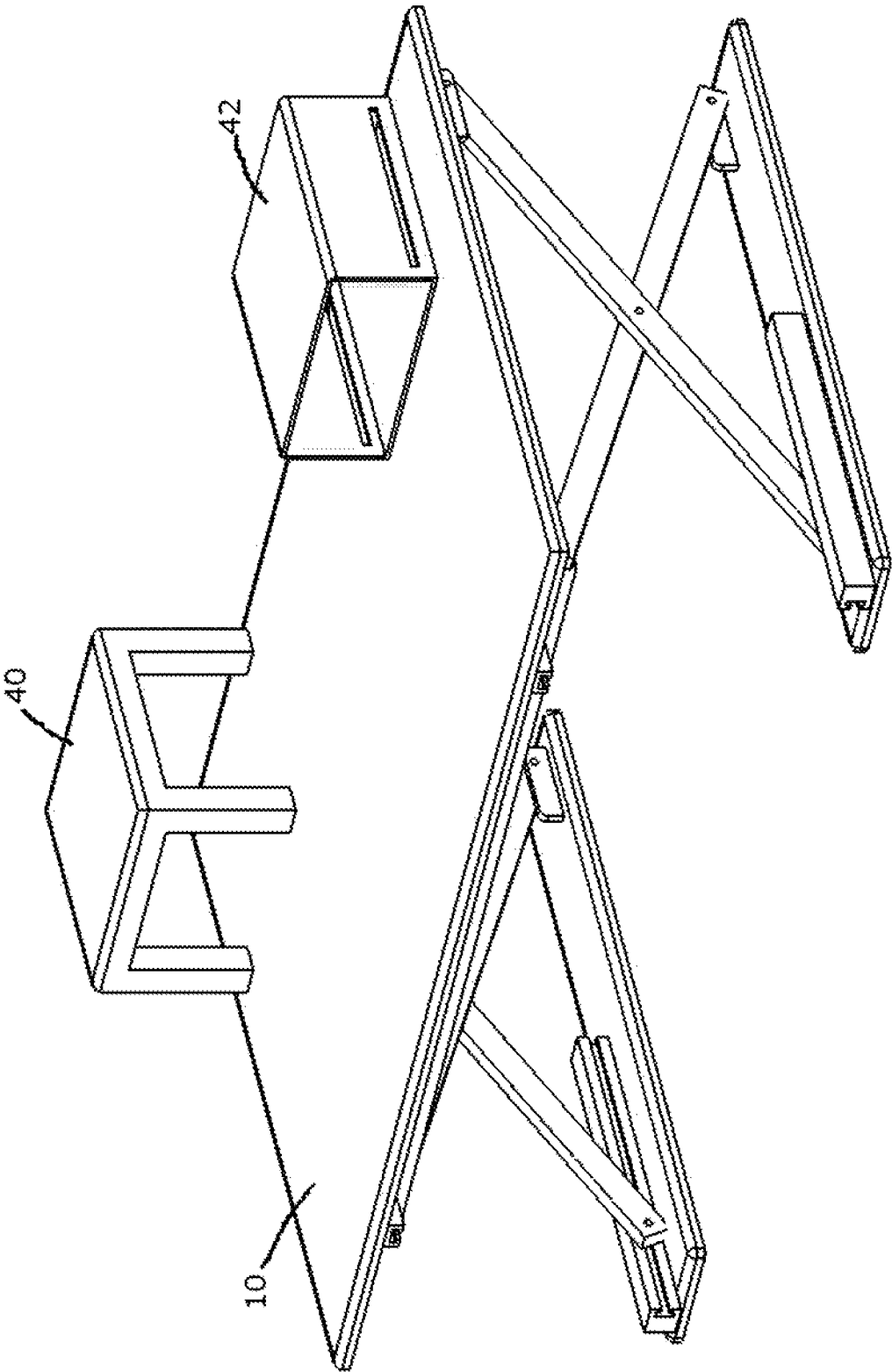


FIG. 9

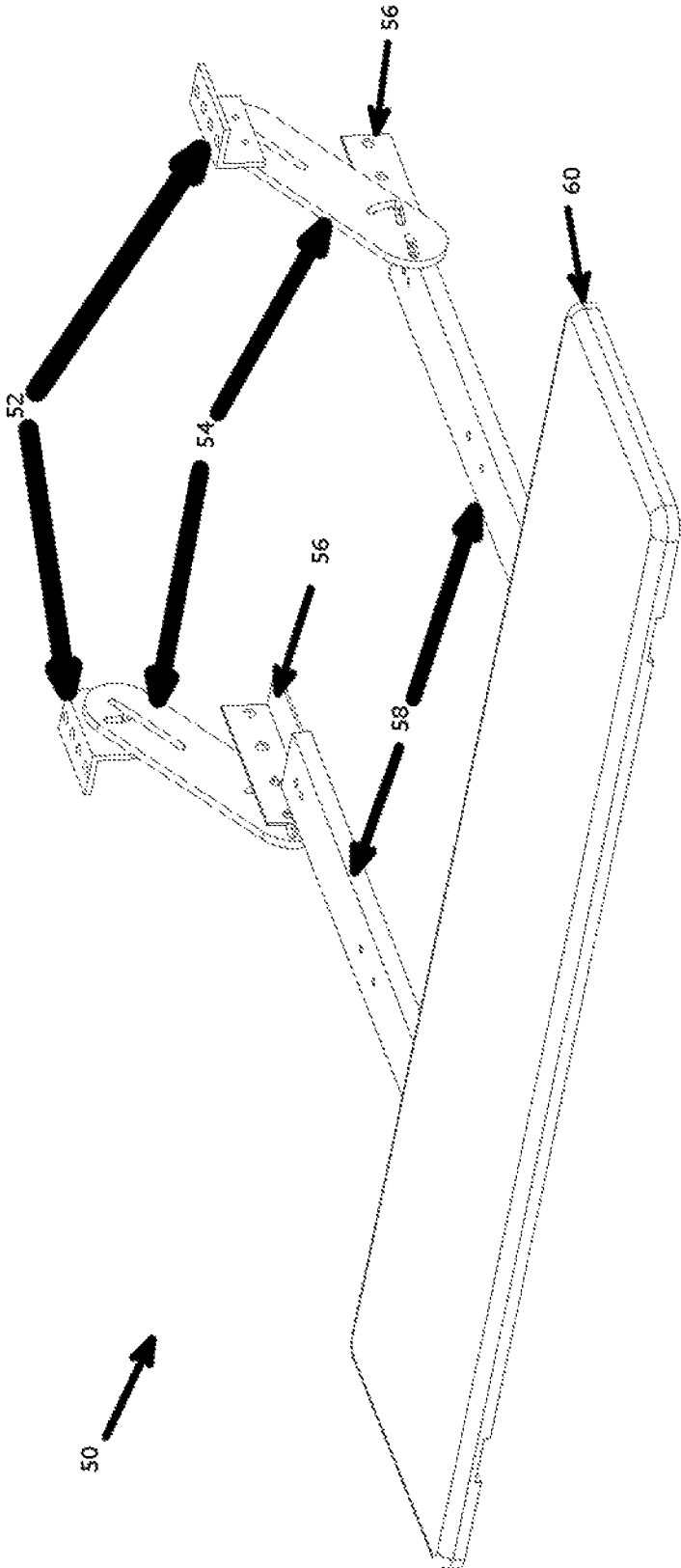


FIG. 10

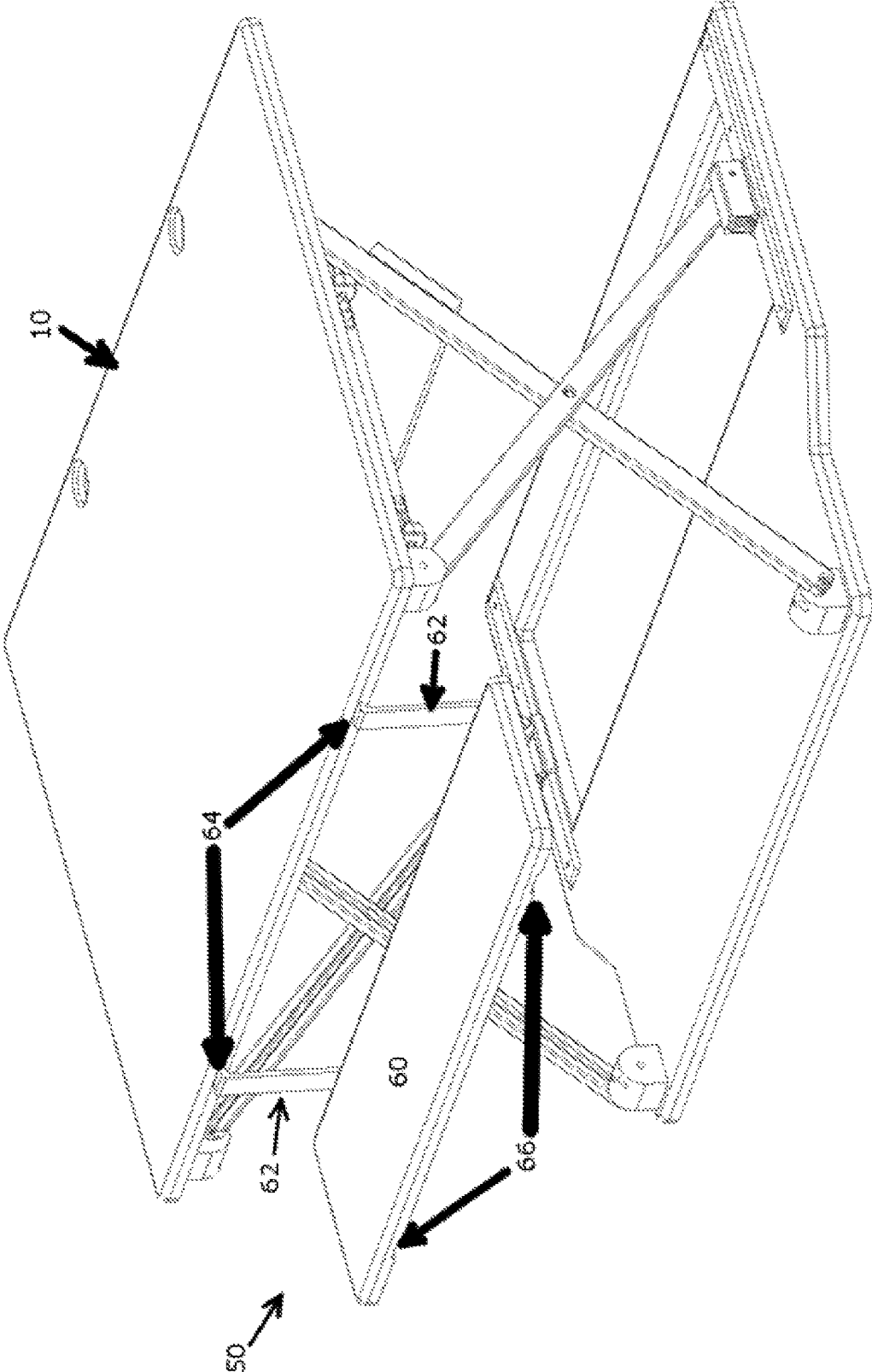


FIG. 10B

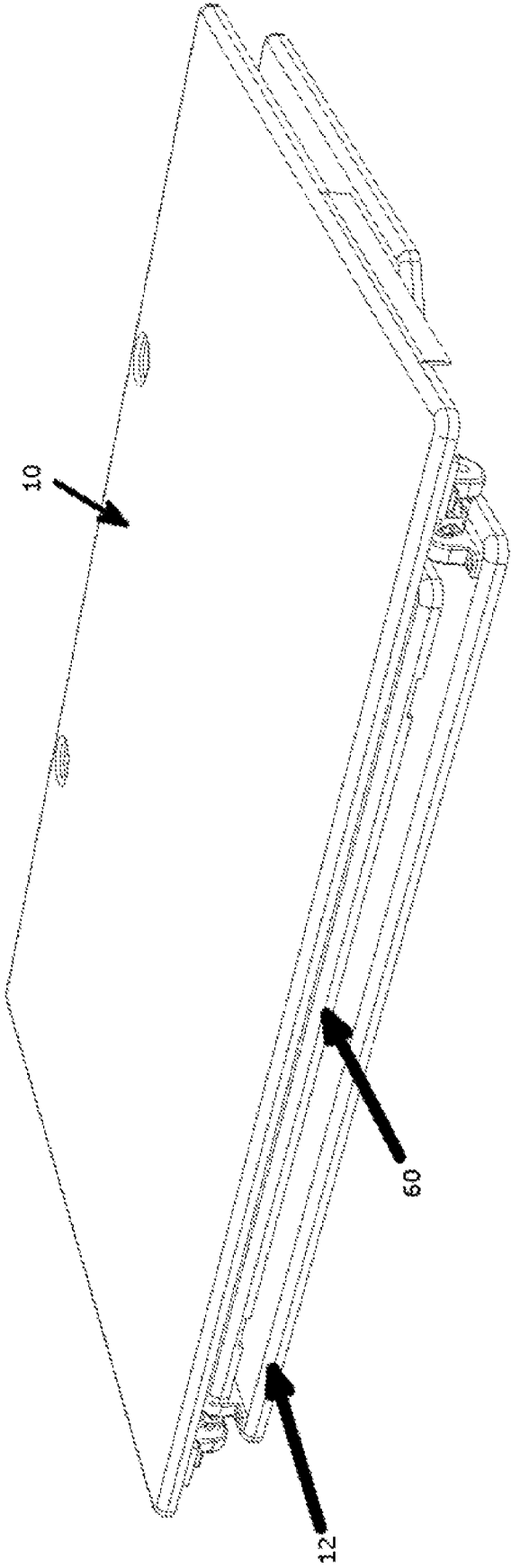


FIG. 10C

## DESKTOP WORKSPACE THAT ADJUSTS VERTICALLY

### CROSS REFERENCE TO RELATED APPLICATIONS

This application is a continuation application of U.S. patent application Ser. No. 17/985,137, titled DESKTOP WORKSPACE THAT ADJUSTS VERTICALLY, filed Nov. 10, 2022, which is a continuation application of U.S. patent application Ser. No. 17/493,812, titled DESKTOP WORKSPACE THAT ADJUSTS VERTICALLY, filed Oct. 4, 2021, which is a continuation application of U.S. patent application Ser. No. 16/785,647, titled DESKTOP WORKSPACE THAT ADJUSTS VERTICALLY, issued as U.S. Pat. No. 11,134,773 on Oct. 5, 2021, which is a continuation application of U.S. patent application Ser. No. 16/372,334, titled DESKTOP WORKSPACE THAT ADJUSTS VERTICALLY, issued as U.S. Pat. No. 10,575,630 on Mar. 3, 2020, which is a divisional application of Ser. No. 15/628,558, titled DESKTOP WORKSPACE THAT ADJUSTS VERTICALLY, issued as U.S. Pat. No. 10,244,861 on Apr. 2, 2019, which is a divisional application of U.S. patent application Ser. No. 15/004,926, titled DESKTOP WORKSPACE THAT ADJUSTS VERTICALLY, filed Jan. 23, 2016, which claims the benefit of U.S. Provisional Patent Application No. 62/107,380, titled DESKTOP WORKSPACE THAT ADJUSTS VERTICALLY, filed Jan. 24, 2015. The entire contents of each of these related applications is incorporated by reference herein.

### TECHNICAL FIELD

This disclosure relates to a desktop workspace platform that adjusts up and down vertically.

### BACKGROUND

In recent years studies have been conducted to show the health benefits of not sitting or standing for prolonged periods of time. It has been shown that sitting for long periods of time, day after day, increases the rate of all-cause mortality. It has even been said that sitting is the new smoking. A healthier work environment could be achieved by standing a portion of your day that you typically spend sitting. A combination of standing and sitting can reduce your risk of obesity, diabetes, cardiovascular disease and cancer.

There are many different types of work surfaces today. Most of these are stationary, in that they do not adjust in height. In recent years, entire desks that adjust in height have become more common. Most people already have a stationary desk, so purchasing an entire new desk may be unreasonable for some.

### SUMMARY

There are a few adjustable desk platforms that sit on an existing desk, however, designs of such products have left much room for improvement. Some notable areas for improvement include, but are not limited to; the need for straight vertical motion of the desktop platform where the work surface does not protrude out toward the operator when elevated, a motorized adjustable height mechanism or other motor assisted system, a holding or locking mechanism that does not limit the work surface to only preset heights, a higher maximum adjustable height to satisfy taller

users, improved load distribution, improved design, improved appearance, increased load capacity, and a more compact design once in a lowered position.

A desktop workspace that adjusts vertically includes a work surface platform that acts as a work surface platform. A height adjustment mechanism allows the work surface platform to raise and lower to the desired height of the operator. This desktop workspace includes at least one set of arms as part of the height adjustment mechanism that utilizes a scissor motion to move the work surface platform up and down.

In one example, a desktop workspace that adjusts vertically is comprised of a work surface platform; a base configured to sit on an existing platform such as a desk; a height adjustable mechanism including at least one set of arms that connect at a pivot point creating a scissoring motion as part of the method to raise and lower the said work surface platform to various heights.

### BRIEF DESCRIPTION OF THE DRAWINGS

FIG. 1 is a perspective view of an example adjustable desk including a work surface platform, base, and height adjustment mechanism.

FIG. 1B is a perspective view of an example adjustable desk including a work surface platform, base, and height adjustment mechanism, with alternative sliding mechanisms.

FIG. 1C is a perspective view of an example adjustable desk with alternative sliding mechanisms that incorporate rolling wheels, and a keyboard tray mechanism.

FIG. 1D is a perspective view of an example adjustable desk with alternative sliding mechanisms that incorporate rolling wheels, and a keyboard tray mechanism as shown in FIG. 1C, but without a base.

FIG. 2 is a perspective view from another angle of an example adjustable desk including a work surface platform, base, and height adjustment mechanism.

FIG. 2B is a perspective view from another angle of an example adjustable desk including a work surface platform, base, and height adjustment mechanism, with alternative sliding mechanisms.

FIG. 2C is a perspective view from another angle of an example adjustable desk with alternative sliding mechanisms that incorporate rolling wheels and a keyboard tray mechanism.

FIG. 2D is a perspective view an example adjustable desk with the alternative sliding mechanisms that incorporates rolling wheels and a keyboard tray mechanism as shown in FIG. 2C, but with gas springs rather than coil springs.

FIG. 3 is a side view of an example adjustable desk including a work surface platform, base, and height adjustment mechanism.

FIG. 3B is a side view of an example adjustable desk including a work surface platform, base, height adjustment mechanism, alternative sliding mechanisms, and a keyboard tray mechanism.

FIG. 4 is a perspective view of an example height adjustment mechanism from FIG. 1.

FIG. 4B is a perspective view of an example height adjustment mechanism as shown in FIG. 4, but without a cross beam.

FIG. 4C is a perspective view of an alternative height adjustment mechanism to that shown in FIG. 4.

FIG. 5 is a perspective view of parts of an example adjustable desk including sliding mechanism locations and pivot points of this disclosure from FIG. 1.

3

FIG. 5B is a perspective view of parts of an example of a height adjustment mechanism of this disclosure from FIGS. 1 and 1B with alternative sliding mechanisms.

FIG. 5C is a perspective view of parts of an example of a height adjustment mechanism from FIGS. 1 and 1B with alternative sliding mechanisms.

FIG. 5D is a perspective view of parts of an example of a height adjustment mechanism and locking mechanism from FIG. 1C.

FIG. 6 is a perspective view of an example adjustable desk wherein the work surface platform is in a partially raised state.

FIG. 6B is a perspective view of an example adjustable desk where the work surface platform is in a partially raised state with an example keyboard tray mechanism.

FIG. 7 is a perspective view of an example adjustable desk in a very compact state, with the work surface platform in a completely lowered position.

FIG. 7B is a perspective view of an example adjustable desk in a very compact state, with the work surface platform in a completely lowered position, with alternative sliding mechanisms.

FIG. 8 is a perspective view of example elements intended to additionally raise the height of monitors or other items.

FIG. 9 is a perspective view of an example adjustable desk with monitor raising elements resting on top of the work surface platform.

FIG. 10 is a perspective view of parts of an example of a keyboard tray mechanism.

FIG. 10B is a perspective view of an example adjustable desk with an alternative keyboard tray mechanism attached.

FIG. 10C is a perspective view of an example adjustable desk with keyboard tray mechanism attached and in a closed position.

#### DETAILED DESCRIPTION

The Desktop Workspace That Adjusts Vertically, also referred to as the “desktop workspace” in this document, includes a device and a method to raise and lower a platform that is part of the device. An exemplary use of the device is a work surface such as a desk, which can be moved to a desired vertical position. For example, the platform could hold objects such as a laptop, monitor, tablet, keyboard, mouse, and other desk items such as a stapler. The Desktop Workspace That Adjusts Vertically may include ancillary devices such as a monitor raiser, an external keyboard holder, mouse holder, cable organizer, or other devices. The platform raises vertically without protruding out along the horizontal plane, keeping the individual using the device from having to step backward to use the work surface platform when it is in a raised position. This configuration allows the operator to utilize the work surface platform at various heights. The examples and description suggest the device is used for supporting typical desktop objects, but the scope of this disclosure is intended to support other objects and to be used in other applications.

The Desktop Workspace That Adjusts Vertically can be placed on an existing surface to provide a variable height working area that is adjusted by the operator. The Desktop Workspace That Adjusts Vertically includes at least one set of two arms that connect along their lengths at a pivot point, allowing a scissoring motion, which is part of the method for raising and lowering the work surface platform. When raised, the work surface platform raises in a substantially straight motion so that it stays in-line with the base. An element or mechanism such as a spring or motor is config-

4

ured to provide a force to assist in the elevation of the work surface platform. A locking mechanism is configured to secure the work surface platform at a given height.

The Desktop Workspace That Adjusts Vertically includes a height adjustment mechanism configured to assist in raising the work surface platform parallel to the surface it sits on, without moving back and forth or left to right; keeping the individual using the device from having to move backward to use the work surface platform when it is in a raised position. The height adjustment mechanism(s) may include items such as springs, gas springs, shock absorbers, an electric motor(s), or a linear actuator(s).

The Desktop Workspace That Adjusts Vertically is directed to help individuals from sitting or standing for prolonged periods of time while they work. Studies have shown that sitting or standing for long periods of time can be detrimental to one’s health.

The Desktop Workspace That Adjusts Vertically is designed to assist individuals to be more alert and productive as they work. Studies show that moving from a sitting to standing position and vice versa help the human body to be more awake and alert.

FIGS. 1, 1B, 1C, 2, 2B, 2C, 6, 7, 7B, 9, and 10C show examples of The Desktop Workspace That Adjusts Vertically an assembled state. As shown, the desktop workspace includes a work surface platform 10, a base 12, and a height adjustment mechanism 14 residing between the work surface platform 10 and base 12. The examples show that platform 10 is a work surface platform that supports desk items; for example, monitors, tablets, Computers, notebooks, and other objects. The height adjustment example 14 includes at least one set of two arms 16 & 18. Arms 16 & 18 are connected at some point along their shafts at pivot point 28. These pivoting arms connect at pivot points 24 and 26 on one end and slide along a sliding mechanism 20 or 22 at pivot and sliding point 30 or 32. The arms pivot at 28, arm 16 slides along 20 and arm 18 slides along 22, creating a scissor motion to allow the work surface platform 10 to move up and down. This example with the pivoting arms moving in the scissor motion is the basis of the height adjustment mechanism 14. Base 12 is the base that the height adjustment mechanism 14 connects to. Base 12 consists of one piece of material or multiple pieces of material. FIG. 1 portrays base 12 as one piece, while FIG. 1B portrays base 12 as two pieces, and FIG. 1C portrays base 12 as one piece with portions removed.

Base 12 is connected to pivot point 26 and sliding mechanism 20. Sliding mechanisms 20 and 22 could also be directly connected to the arm(s) in the form of a slider or wheel, as portrayed in FIG. 1C. The example in FIGS. 1 and 2 shows the present sliding mechanisms 20 and 22 as a groove cut through the wall of the supporting material. FIGS. 1B and 2B show another design of the present sliding mechanisms 20 and 22 as channel or track. FIGS. 1C and 2C show yet another design of the present sliding mechanisms 20 and 22 as a rolling device such as a wheel or bearing. All three are methods to illustrate that there is more than one possible way to accomplish the intended sliding motion. Arm 16 attaches to the sliding mechanism 20 at point 32. Arm 16 moves back and forth along sliding mechanism 20 as part of the scissor motion used to obtain change in height of the work surface platform 10. The sliding action that sliding mechanisms 20 and 22 assist could be accomplished through means other than the illustrated examples, for example, a track system, roller wheel system, or some other means could be used to allow arm 16 and 18 to move in a back and forth motion. This disclosure is not intended to



limit the means of the sliding motion, but to establish the fact that the sliding motion is part of the function of the adjustable height mechanism. The mentioned sliding motion is part of the overall scissor motion that is created by the design to vertically raise the work surface platform 10.

Pivot point 26 is the element that attaches the base 12 to arm 18. The examples in FIGS. 1 and 2 shows pivot 26 as being part of the wall of the base, and FIGS. 1B, 1C, 2B, and 2C shows pivot 26 as being a bracket or similar connected to base 12; pivot 26 could be located further in towards the center of base 12 and could be created as a stand-alone element such as a bracket or similar device. Pivot 26 is to be understood as a connection between base 12 and arm 18, and to be a pivot point that allows arm 18 to rotate as part of the scissor motion of height adjustment mechanism 14.

In some examples, the desktop workspace could exclude base 12, as shown in FIG. 1D. In such examples, height adjustment mechanism 14 connects directly to the desk or surface that the desktop workspace that adjusts vertically is sitting on. The lower portion of arm 18 connects directly to the surface with a pivot point similar to element 26. The lower portion of arm 16 connects to the surface and be guided to slide in a similar motion with an independent sliding mechanism such as, but not limited to, a track, channel, wheel, rail, or slot.

FIG. 4 shows an example of part of height adjustment mechanism 14, which assists in the vertical motion achieved to move the work surface platform 10 up and down in a smooth motion. Height adjustment 14 is designed so that it creates a vertical motion without any lateral or protruding motion side to side. Said another way, the scissor motion that height adjustment 14 creates allows work surface platform 10 to stay in alignment with base 12 as it raises or lowers. This alignment is intended, however some examples could include a method that does not align element 10 and 12 as raised and lowered.

Height adjustment mechanism 14 consists of one or more pairs of pivot arms 16 & 18, which have a pivoting point 28 at some point along their axis. Height adjustment mechanism 14 could also include a design where arms 16 & 18 do not actually connect at pivot point 28, but still provide a similar motion. Arm 16 connects at pivot element 24, and at point 32 which slide along sliding element 20. Similarly, arm 18 connects at pivot element 26 and at pivot point 30, which slides along sliding element 22. Height adjustment mechanism 14 also includes components that make the disclosure more rigid, such as cross beam supports labeled as element 68 in FIGS. 1C and 2C. Pivot arms, pivot points, and sliding elements are designed to fit compactly together when the desktop workspace is in a lowered position, as can be seen in FIGS. 7, 7B, and 10C. All elements align side-by-side in such a manner that when fully lowered the desktop workspace is very compact, looks sleek, and takes up minimal vertical space. The desktop workspace accomplishes such a compact state by having element 20 and 24 outside arm 16, which is outside arm 18, which is outside element 22. This arrangement of elements allows the elements' to not overlap when desktop workspace that adjusts vertically is in a fully lowered position providing a substantially compact state. The desktop workspace is not limited to specific elements or locations of elements to achieve the height adjustment motion that results in a compact design where elements do not overlap.

The illustrated examples of FIGS. 1 and 1B suggests that pivot points 26 and 24 are located in the back of desktop workspace, and that sliding mechanisms 20 and 22 are located in the front. The illustrated examples of FIG. 1C

suggests that pivot points 26 and 24 are located in the front of the desktop workspace and that sliding mechanisms 20 and 22 are located in the back. Some examples include a design where the pivot points and sliding mechanisms are at opposite sides, or some combination of both.

As can be seen in FIGS. 2, 2B, 2C, 4, 5B, and 5C pivoting arms, are attached to a cross beam 34. Cross beam 34 assists in stabilizing the invention and assist all elements of the height adjustment mechanism to move in concert when a force is applied. The force can be applied from various methods and on various points of cross beam 34, pivot arms 16 & 18, pivot elements 26 & 24, or sliding mechanisms 20 or 22. Some examples include a design where element 34 does not span across the mechanism connecting all or some of the arms.

FIG. 4 shows the force being applied by element 36 to cross beam 34. Element 36 can apply a pushing and pulling force to cross beam 36, which causes pivot arms 16 and 18 to move in a scissor motion. The example is intended to suggest that element 36, which applies force to height adjustment mechanism 14, can be a variety of different mechanisms, elements, or represent manual human force. For example, the force that element 36 provides could come from; a linear actuator, AC or DC motor, human force, gravity, springs, other objects with kinetic energy, or another source of force. For example, FIG. 4 illustrates element 36 as a linear actuator, while FIG. 5C illustrates element 36 as a pair of springs.

The combination of height adjustment mechanism 14 and a force represented by element 36, create the scissor motion that moves the work surface platform vertically up and down. Examples portrayed in FIG. 4, and 5 show the scissor motion of height adjustment mechanism 14.

Examples can utilize element 36 or similar element in a different location; for example, the element could attach directly to arms 16 or 18, or to one of the pivot points, instead of to element 34. Some examples may not include element 34 or the like, where such a crossbeam or connection is not deemed necessary. FIG. 4B is a perspective view of an example height adjustment mechanism as shown in FIG. 4, but without a cross beam 34. In FIG. 4B, elements 36 attach directly to arms 18 through arm pivot points 31, instead of to element 34. FIG. 4C is a perspective view of an example height adjustment mechanism as shown in FIG. 4, but with element 36 connected to one of the scissoring pivot points 28 instead of to cross beam 34.

Examples in FIG. 4, and 5 include arrows that show some of the possible motions of mechanism 14. Pivot arms are connected to one another at pivot point 28. As one end of arm 16 moves along sliding mechanism 20, the other end of the arm moves up or down vertically. When arm 18 pivots at point 26, the other end of the arm slides along sliding mechanism 22, which can be seen in FIGS. 2, 2B, and 2C and moves up and down vertically.

The height adjustment mechanism moves vertically and is held or locked into position at various heights. Examples of the height adjustment mechanism use various methods to lock or hold in place. For example, element 36 acts as the locking device, or the locking device can be included in sliding mechanism(s) 20 & 22, or the locking device can be included in pivot point(s) 26 and 24, or the locking mechanism could entail another element not mentioned. FIG. 5D portrays a locking device that could include element 34 or other element engaging with element 44. Pins or other element, portrayed as element 48, engage with teeth or other element, portrayed as element 46 to lock the height adjustment mechanism in a desired position. The locking element

can include, but not limited to, a linear actuator, a motor, applied pressure, locking teeth, or some other method to prevent arms **16** and **18** from moving, so that work surface platform **10** does not change vertical height. Applications utilizing a linear actuator or similar can allow the operator to adjust the height without the limitations of preset heights that some locking mechanisms only provide. Instead of preset heights created by an element with features such as preset holes, the linear actuator or something similar would allow the operator to set the height limit by stopping the linear actuator or similar at any point the operator chooses. The desktop workspace includes a locking mechanism that maintains the vertical position of surface **10**; the examples are not limited to specific elements to achieve the height locking function.

Examples include a means to unlock the device so that the work surface platform **10** can change height. Examples can include, but not limited to, a button(s) to control a motor or the like, a handle that the user pulls on to unlock the device, or another device that unlocks the locking device. FIG. **5D** portrays an example of a locking mechanism where element **44** acts as a handle that once pressure is applied to can both lock and unlock the height adjustment mechanism by engaging or disengaging the teeth, element **46** or similar to pin, element **48** or similar. Unlocking elements are suggested, however, examples are not limited to specific elements to achieve the unlocking function.

The example shows sliding element(s) **22** and pivot element(s) **24** connect the height adjustment mechanism **14** to the work surface platform **10**. The example allows for the work surface platform to be raised and lowered, as well as locked into the desired position of the individual using the desktop workspace. This allows the user to utilize the desktop workspace that adjusts vertically while in a seated position or a standing position.

FIG. **8** portrays the current design of elements **40** and **42**, which could be used to elevate a monitor, laptop, or other items to a level higher than that of work surface platform **10**. Additionally raising a monitor can create a more comfortable and healthier work space for the operator by bringing their screen(s) to a position closer to eye level. FIG. **9** shows elements **40** and **42** sitting on work surface platform **10**. Elements **40** and **42** are presently designed to be able to sit anywhere on surface **10**. Examples are not intended to limit the design of elements **40** and **42**. Elements **40** and **42** are intended to represent a method in which a monitor(s) can be elevated to height higher than if it were sitting on work surface platform **10**. It is to be understood that element **40** or **42** could be designed differently and still accomplish its function to raise the height of a monitor(s) or other items.

FIG. **10**, and **10B** show an example of part of keyboard tray mechanism **50**, which provides a platform for the user to place items such as a keyboard, mouse, or other items on. Keyboard mechanism **50** is configured move to a position that is in an outward and lowered position with respect to surface **10**. Such a position can provide a more ergonomic location of the keyboard and mouse for the user. Some examples include a design where the keyboard tray can be removed, adjusted, or designed so that it extends out when is in use and is compactly stored under surface **10** when not in use.

FIGS. **10** and **10C** show an example of Keyboard tray **50** where it is configured to move underneath and flush with surface **10** to allow this disclosure to maintain its compact state once in a closed position. Bracket **52** connects to channel plate component **54**, which connects to bracket **56**, which connect to slider **58**, which connect to keyboard

platform **60**. When the user applies an inward and upward force to platform **60**, channeled plate component **54** and slider **58** allow the keyboard tray mechanism to move to a position that is compactly positioned underneath platform **10** as portrayed in FIG. **10C**. Conversely, when an outward and downward force is applied to platform **10**, elements **52**, **54**, **56**, and **58** allow mechanism **50** to be in an out and down position as portrayed in FIGS. **1C** and **2C**. Said more specifically, plate **54** contains channels or grooves that guide brackets **52** and **54** connect to with pins, screws, or similar. When the user pulls or pushes up, down, in, or out on the platform **60**, the channels or grooves in plate **54** along with the sliding motion of slider **58** guide the platform to either rest in an outward state for typing or tucked away under the work surface platform **10**.

FIG. **10B** shows an example of keyboard tray mechanism **50** that attach to platform **10**. Bracket **62** attaches to platform **10** at element **64** and keyboard platform **60** at element **66**. Element **64** and **66** consists of a channel, bracket, or other means to attach bracket **62** to both platform **10** and platform **60**.

Elements for keyboard tray mechanism **50** are suggested, however, examples are not limited to specific elements to achieve the function of the keyboard tray mechanism.

The intention of the different examples discussed is not intended to limit the scope of this disclosure. The description and terminology is not intended to limit the scope and applicability of this disclosure. It should be understood that other terminology, parts, components, and layouts could be used that would still embody the intentions of this disclosure. Individuals skilled in the art will recognize that examples described have suitable alternatives. It is also noted that the examples are not limited to specific construction materials, and that various suitable materials exist for the elements of this disclosure.

What is claimed is:

1. A desktop workspace that adjusts vertically, comprising:

- a work surface platform;
- a keyboard platform that protrudes out, down, and parallel to the work surface platform, wherein the keyboard platform is mounted to an underside of the work surface platform;
- a base configured to sit on an existing platform; and
- a height adjustment mechanism connecting the work surface platform and the base, the height adjustment mechanism including:
  - a set of pivot arms that connect at a scissoring pivot point creating a scissoring motion when raising and lowering the work surface platform to various heights;
  - a base pivot point fixed relative to the base and connecting the base and the set of pivot arms;
  - a platform pivot point fixed relative to the work surface platform and connecting the work surface platform and the set of pivot arms;
  - a sliding mechanism on an end of an arm of the set of pivot arms between the end of the arm and either the work surface platform or the base allowing continuous sliding of the end of the arm;
  - an element on the arm; and
  - a gas spring that assists in elevation of the work surface platform by applying a force to the element to cause the set of pivot arms to move as part of the scissoring motion.

2. The desktop workspace of claim **1**, wherein the arm is rotatably coupled to the element via an arm pivot point.

3. The desktop workspace of claim 1, wherein a length of the element is transverse to a sliding motion at the sliding mechanism of the end of the arm of the set of pivot arms.

4. The desktop workspace of claim 1, wherein the element connects the arm of the set of pivot arms to another pivot arm in the set of pivot arms.

5. The desktop workspace of claim 1, wherein the element spans across the height adjustment mechanism to connect to another pivot arm.

6. The desktop workspace of claim 1, wherein an end of the gas spring is fixed to the element.

7. The desktop workspace of claim 1, wherein the element is attached on the same side of the arm of the set of pivot arms as the sliding mechanism relative to the scissoring pivot point.

8. The desktop workspace of claim 1, wherein the work surface platform forms an upper work surface, and

wherein the gas spring is completely covered by a profile of the work surface platform when viewed from above the upper work surface relative to the base, the profile of the work surface platform being defined by an outer perimeter of the upper work surface.

9. The desktop workspace of claim 1, wherein the gas spring is a first spring, the desktop workspace comprising a pair of springs attached to the height adjustment mechanism to assist in the elevation of the work surface platform, the pair of springs including the first spring and a second spring.

10. The desktop workspace of claim 1, wherein the sliding mechanism is a first sliding mechanism, the desktop workspace further comprising a second sliding mechanism, wherein either the first sliding mechanism or the second sliding mechanism is attached or slides along the work surface platform, and the other of the first sliding mechanism and the second sliding mechanism is attached to or slides along the base.

11. The desktop workspace of claim 1, wherein the scissoring motion when raising and lowering the work surface platform to various heights of the height adjustment mechanism moves the work surface platform in a straight vertical direction relative to the base.

12. The desktop workspace of claim 1, wherein the gas spring acts as a locking device that holds the work surface platform at various vertical heights above the base.

13. The desktop workspace of claim 1, further comprising a height adjustment locking mechanism that holds the work surface platform at various vertical heights above the base.

14. The desktop workspace of claim 1, wherein the keyboard platform is mounted to the underside of the work surface platform via a slider mounted to the underside of the work surface platform such that the keyboard platform is selectively positionable between a stored position under the work surface platform and an extended position that is outward and lowered with respect to the work surface platform.

15. The desktop workspace of claim 1, wherein the keyboard platform is mounted to the underside of the work surface platform via a bracket mounted to the underside of the work surface platform.

16. A desktop workspace that adjusts vertically, comprising:

- a work surface platform;
- a keyboard platform that protrudes out, down, and parallel to the work surface platform;
- a base configured to sit on an existing platform; and

a height adjustment mechanism connecting the work surface platform and the base, the height adjustment mechanism including:

a set of pivot arms that connect at a scissoring pivot point creating a scissoring motion when raising and lowering the work surface platform to various heights;

a base pivot point fixed relative to the base and connecting the base and the set of pivot arms;

a platform pivot point fixed relative to the work surface platform and connecting the work surface platform and the set of pivot arms;

a sliding mechanism on an end of an arm of the set of pivot arms between the end of the arm and either the work surface platform or the base allowing continuous sliding of the end of the arm;

an element on the arm; and

a gas spring that assists in elevation of the work surface platform by applying a force to the element to cause the set of pivot arms to move as part of the scissoring motion, wherein one end of the gas spring is fixed to the work surface platform.

17. A desktop workspace that adjusts vertically, comprising:

a work surface platform;

a keyboard platform that protrudes out, down, and parallel to the work surface platform;

a base configured to sit on an existing platform; and

a height adjustment mechanism connecting the work surface platform and the base, the height adjustment mechanism including:

a set of pivot arms that connect at a scissoring pivot point creating a scissoring motion when raising and lowering the work surface platform to various heights;

a base pivot point fixed relative to the base and connecting the base and the set of pivot arms;

a platform pivot point fixed relative to the work surface platform and connecting the work surface platform and the set of pivot arms;

a sliding mechanism on an end of an arm of the set of pivot arms between the end of the arm and either the work surface platform or the base;

an element on the arm; and

a gas spring that assists in elevation of the work surface platform by applying a force to the element to cause the set of pivot arms to move as part of the scissoring motion,

wherein the gas spring, the set of pivot arms, the base pivot point, and the platform pivot point align side-by-side when the desktop workspace is in a fully lowered position such that the desktop workspace adjusts vertically.

18. A desktop workspace that adjusts vertically, comprising:

a work surface platform;

a keyboard platform that protrudes out, down, and parallel to the work surface platform,

wherein the keyboard platform is selectively positionable between a stored position under the work surface platform and an extended position that is outward and lowered with respect to the work surface platform, and

wherein the keyboard platform protrudes out, down, and parallel to the work surface platform in the extended position;

a base configured to sit on an existing platform; and

## 11

- a height adjustment mechanism connecting the work surface platform and the base, the height adjustment mechanism including:
  - a set of pivot arms that connect at a scissoring pivot point creating a scissoring motion when raising and lowering the work surface platform to various heights;
  - a base pivot point fixed relative to the base and connecting the base and the set of pivot arms;
  - a platform pivot point fixed relative to the work surface platform and connecting the work surface platform and the set of pivot arms;
  - a sliding mechanism on an end of an arm of the set of pivot arms between the end of the arm and either the work surface platform or the base allowing continuous sliding of the end of the arm;
  - an element on the arm; and
  - a gas spring that assists in elevation of the work surface platform by applying a force to the element to cause the set of pivot arms to move as part of the scissoring motion.
- 19. A desktop workspace that adjusts vertically, comprising:
  - a work surface platform;
  - a keyboard platform that protrudes out, down, and parallel to the work surface platform, wherein the keyboard platform is mounted to an underside of the work surface platform; and
  - a height adjustment mechanism configured raise and lower the work surface platform relative to an existing platform, the height adjustment mechanism including:
    - set of pivot arms that connect at a scissoring pivot point creating a scissoring motion when raising and lowering the work surface platform to various heights;
    - a bottom pivot point fixed relative to the existing platform and connecting the existing platform and the set of pivot arms;
    - a platform pivot point fixed relative to the work surface platform and connecting the work surface platform and the set of pivot arms;
    - a sliding mechanism on an end of an arm of the set of pivot arms between the end of the arm and either the work surface platform or the existing platform;
    - an element on the arm; and
    - a gas spring that assists in elevation of the work surface platform by applying a force to the element to cause the set of pivot arms to move as part of the scissoring motion.
  - 20. The desktop workspace of claim 19, wherein the arm is rotatably coupled to the element via an arm pivot point.
  - 21. The desktop workspace of claim 19, wherein a length of the element is transverse to a sliding motion at the sliding mechanism of the end of the arm of the set of pivot arms.
  - 22. The desktop workspace of claim 19, wherein the element connects the arm of the set of pivot arms to another pivot arm in the set of pivot arms.
  - 23. The desktop workspace of claim 19, wherein the element spans across the height adjustment mechanism to connect to another pivot arm.
  - 24. The desktop workspace of claim 19, wherein an end of the gas spring is fixed to the element.
  - 25. The desktop workspace of claim 19, wherein the element is attached on the same side of the arm of the set of pivot arms as the sliding mechanism relative to the scissoring pivot point.

## 12

- 26. The desktop workspace of claim 19, wherein the sliding mechanism includes a wheel mounted on the end of the arm.
- 27. The desktop workspace of claim 19, wherein the scissoring motion when raising and lowering the work surface platform to the various heights of the height adjustment mechanism moves the work surface platform in a straight vertical direction relative to the existing platform.
- 28. The desktop workspace of claim 19, wherein the gas spring is a first spring, the desktop workspace comprising a pair of springs attached to the height adjustment mechanism to assist in the elevation of the work surface platform, the pair of springs including the first spring and a second spring.
- 29. The desktop workspace of claim 19, wherein the gas spring acts as a locking device that holds the work surface platform at various vertical heights above the existing platform.
- 30. The desktop workspace of claim 19, further comprising a height adjustment locking mechanism that holds the work surface platform at various vertical heights above the existing platform.
- 31. The desktop workspace of claim 19, wherein the sliding mechanism allows continuous sliding of the end of the arm.
- 32. A desktop workspace that adjusts vertically, comprising:
  - a work surface platform;
  - a keyboard platform that protrudes out, down, and parallel to the work surface platform; and
  - a height adjustment mechanism configured raise and lower the work surface platform relative to an existing platform, the height adjustment mechanism including:
    - set of pivot arms that connect at a scissoring pivot point creating a scissoring motion when raising and lowering the work surface platform to various heights;
    - a bottom pivot point fixed relative to the existing platform and connecting the existing platform and the set of pivot arms;
    - a platform pivot point fixed relative to the work surface platform and connecting the work surface platform and the set of pivot arms;
    - a sliding mechanism on an end of an arm of the set of pivot arms between the end of the arm and either the work surface platform or the existing platform;
    - an element on the arm; and
    - a gas spring that assists in elevation of the work surface platform by applying a force to the element to cause the set of pivot arms to move as part of the scissoring motion, wherein an end of the gas spring is fixed to the work surface platform.
  - 33. A desktop workspace that adjusts vertically, comprising:
    - a work surface platform;
    - a keyboard platform that protrudes out, down, and parallel to the work surface platform; and
    - a height adjustment mechanism configured raise and lower the work surface platform relative to an existing platform, the height adjustment mechanism including:
      - set of pivot arms that connect at a scissoring pivot point creating a scissoring motion when raising and lowering the work surface platform to various heights;
      - a bottom pivot point fixed relative to the existing platform and connecting the existing platform and the set of pivot arms;
      - a platform pivot point fixed relative to the work surface platform and connecting the work surface platform and the set of pivot arms;

13

a sliding mechanism on an end of an arm of the set of pivot arms between the end of the arm and either the work surface platform or the existing platform; an element on the arm; and a gas spring that assists in elevation of the work surface platform by applying a force to the element to cause the set of pivot arms to move as part of the scissoring motion,

wherein the keyboard platform is selectively positionable between a stored position under the work surface platform and an extended position that is outward and lowered with respect to the work surface platform, and wherein the keyboard platform protrudes out, down, and parallel to the work surface platform in the extended position.

34. A desktop workspace that adjusts vertically, comprising:

- a work surface platform;
- a keyboard platform that protrudes out, down, and parallel to the work surface platform with at least a portion of the keyboard platform underneath the work surface platform;
- a base configured to sit on an existing platform; and
- a height adjustment mechanism connecting the work surface platform and the base, the height adjustment mechanism including:
  - a set of pivot arms that connect at a scissoring pivot point creating a scissoring motion when raising and lowering the work surface platform to various heights;

14

a base pivot point fixed relative to the base and connecting the base and the set of pivot arms;

a platform pivot point fixed relative to the work surface platform and connecting the work surface platform and the set of pivot arms;

a sliding mechanism on an end of an arm of the set of pivot arms between the end of the arm and either the work surface platform or the base allowing continuous sliding of the end of the arm;

an element on the arm; and

a gas spring that assists in elevation of the work surface platform by applying a force to the element to cause the set of pivot arms to move as part of the scissoring motion.

35. The desktop workspace of claim 34, wherein the keyboard platform is mounted to an underside of the work surface platform via a slider mounted to the underside of the work surface platform such that the keyboard platform is selectively positionable between a stored position under the work surface platform and an extended position that is outward and lowered with respect to the work surface platform.

36. The desktop workspace of claim 34, wherein the keyboard platform is mounted to an underside of the work surface platform via a bracket mounted to the underside of the work surface platform.

\* \* \* \* \*