



US011936964B2

(12) **United States Patent**  
**Nunnink et al.**

(10) **Patent No.:** **US 11,936,964 B2**  
(45) **Date of Patent:** **Mar. 19, 2024**

(54) **CAMERA SYSTEM WITH EXCHANGEABLE ILLUMINATION ASSEMBLY**

FOREIGN PATENT DOCUMENTS

(71) Applicant: **Cognex Corporation**, Natick, MA (US)

CN 1230815 A 10/1999  
CN 101027794 A 8/2007

(Continued)

(72) Inventors: **Laurens Nunnink**, Simpleveld (NL);  
**Richard Reuter**, Wuerselen (DE)

OTHER PUBLICATIONS

(73) Assignee: **Cognex Corporation**, Natick, MA (US)

Cognex Corporation, "Cognex Expands Reading Capability", Oct. 9, 2007, Publisher: Cognex Corporation, Published in: USA.

(\* ) Notice: Subject to any disclaimer, the term of this patent is extended or adjusted under 35 U.S.C. 154(b) by 0 days.

(Continued)

(21) Appl. No.: **17/467,384**

*Primary Examiner* — Quan Pham

(22) Filed: **Sep. 6, 2021**

(74) *Attorney, Agent, or Firm* — Loginov & Associates, PLLC; William A. Loginov

(65) **Prior Publication Data**

US 2022/0103722 A1 Mar. 31, 2022

**Related U.S. Application Data**

(63) Continuation of application No. 16/700,969, filed on Dec. 2, 2019, now Pat. No. 11,115,566, which is a (Continued)

(57) **ABSTRACT**

(51) **Int. Cl.**  
**H04N 23/51** (2023.01)  
**G03B 15/05** (2021.01)

This invention provides a vision system with an exchangeable illumination assembly that allows for increased versatility in the type and configuration of illumination supplied to the system without altering the underlying optics, sensor, vision processor, or the associated housing. The vision system housing includes a front plate that optionally includes a plurality of mounting bases for accepting different types of lenses, and a connector that allows removable interconnection with the illustrative illumination assembly. The illumination assembly includes a cover that is light transmissive. The cover encloses an illumination component that can include a plurality of lighting elements that surround an aperture through which received light rays from the imaged scene pass through to the lens. The arrangement of lighting elements is highly variable and the user can be supplied with an illumination assembly that best suits its needs without need to change the vision system processor, sensor or housing.

(52) **U.S. Cl.**  
CPC ..... **H04N 23/51** (2023.01); **G03B 15/05** (2013.01); **G03B 2215/0517** (2013.01); **G03B 2215/0567** (2013.01); **G03B 2215/0575** (2013.01)

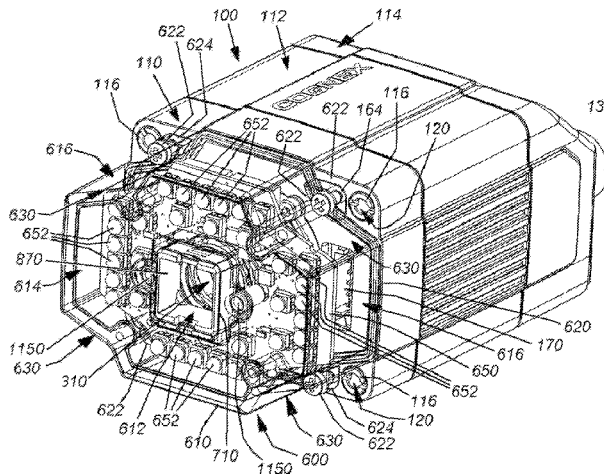
(58) **Field of Classification Search**  
None  
See application file for complete search history.

(56) **References Cited**

U.S. PATENT DOCUMENTS

1,873,149 A 8/1932 Perez  
2,409,328 A 10/1946 Wilder  
(Continued)

**15 Claims, 13 Drawing Sheets**



**Related U.S. Application Data**

continuation of application No. 13/302,858, filed on  
Nov. 22, 2011, now Pat. No. 10,498,933.

(56)

**References Cited**

## U.S. PATENT DOCUMENTS

3,682,069	A	8/1972	Lecoeur	5,943,169	A	8/1999	Okada
3,709,132	A	1/1973	Farrell	5,945,658	A	8/1999	Salatto, Jr.
3,940,777	A	2/1976	Komine	5,949,057	A	9/1999	Feng
4,072,396	A	2/1978	Ross	5,969,321	A	10/1999	Danielson
4,160,590	A	7/1979	Reynard	5,992,751	A	11/1999	Laser
4,230,403	A	10/1980	Hashimoto	6,022,124	A	2/2000	Bourn
4,314,752	A	2/1982	Ishizaka	6,060,722	A	5/2000	Havens
4,451,131	A	5/1984	Shimizu	6,066,857	A	5/2000	Fantone
4,478,491	A	10/1984	Kawai	6,073,851	A	6/2000	Olmstead
4,490,018	A	12/1984	Yokotsuka	6,098,887	A	8/2000	Figarella
4,494,828	A	1/1985	Masumoto	6,164,544	A	12/2000	Schwartz
4,591,253	A	5/1986	Hecker	6,172,709	B1	1/2001	Yamano
4,781,448	A	11/1988	Chatenever	6,179,208	B1	1/2001	Feng
4,864,341	A	9/1989	Maekawa	6,223,986	B1	5/2001	Bobba
4,871,238	A	10/1989	Sato	6,223,988	B1	5/2001	Batterman
4,877,949	A	10/1989	Danielson	6,238,060	B1	5/2001	Bourn
4,894,677	A	1/1990	Bourcier	6,266,196	B1	7/2001	Do
4,974,138	A	11/1990	Negishi	6,273,338	B1	8/2001	White
5,010,412	A	4/1991	Garriss	6,318,924	B1	11/2001	Schiavo, Jr.
5,019,699	A	5/1991	Koenck	6,339,680	B1	1/2002	Mauvais
5,136,320	A	8/1992	Kobayashi	6,340,114	B1	1/2002	Correa
5,155,343	A	10/1992	Chandler	6,347,163	B2	2/2002	Roustaei
5,245,172	A	9/1993	Esslinger	6,385,507	B1	5/2002	Buijtels
5,245,671	A	9/1993	Kobayashi	6,431,452	B2	8/2002	Feng
5,247,152	A	9/1993	Blankenship	6,445,450	B1	9/2002	Matsumoto
5,247,162	A	9/1993	Swartz	6,449,430	B1	9/2002	Tasaka
5,291,232	A	3/1994	Kobayashi	6,474,556	B2	11/2002	Dickson
5,308,966	A	5/1994	Danielson	6,527,183	B2	3/2003	Bard
5,313,053	A	5/1994	Koenck	6,542,238	B1	4/2003	Tsuboi
5,331,176	A	7/1994	Sant Anselmo	6,556,355	B2	4/2003	Tsutsumi
5,331,178	A	7/1994	Fukuda	6,607,132	B1	8/2003	Dvorkis
5,349,172	A	9/1994	Roustaei	6,636,298	B1	10/2003	Bachelder
5,363,164	A	11/1994	Kobayashi	6,651,886	B2	11/2003	Gurevich
5,365,597	A	11/1994	Holeva	6,651,888	B1	11/2003	Gurevich
5,378,883	A	1/1995	Batterman	6,659,350	B2	12/2003	Schwartz
5,399,846	A	3/1995	Pavlidis	6,663,260	B1	12/2003	Tieszen
5,471,043	A	11/1995	Knapp	6,669,093	B1	12/2003	Meyerson
5,473,150	A	12/1995	Huhn	6,681,994	B1	1/2004	Koenck
5,478,997	A	12/1995	Bridgelall	6,689,998	B1	2/2004	Bremer
5,500,516	A	3/1996	Durbin	6,712,270	B2	3/2004	Leach
5,513,264	A	4/1996	Wang	6,729,546	B2	5/2004	Roustaei
5,569,902	A	10/1996	Wood	6,765,393	B2	7/2004	Pierenkemper
5,572,006	A	11/1996	Wang	6,781,630	B2	8/2004	Nomura
5,580,163	A	12/1996	Johnson, II	6,805,295	B2	10/2004	Barkan
5,587,843	A	12/1996	Chen	6,808,114	B1	10/2004	Palestini
5,596,368	A	1/1997	Capper	6,809,847	B2	10/2004	McQueen
5,598,007	A	1/1997	Bunce	6,827,270	B2	12/2004	Yomogida
5,627,360	A	5/1997	Rudeen	6,832,725	B2	12/2004	Gardiner
5,640,001	A	6/1997	Danielson	6,832,729	B1	12/2004	Perry
5,644,441	A	7/1997	Hirasaki	6,837,433	B2	1/2005	Jam
5,659,167	A	8/1997	Wang	6,845,915	B2	1/2005	Krichever
5,672,858	A	9/1997	Li	6,866,198	B2	3/2005	Patel
5,715,095	A	2/1998	Hiratsuka	6,877,664	B1	4/2005	Oliva
5,734,153	A	3/1998	Swartz	6,891,679	B2	5/2005	Atarashi
5,756,981	A	5/1998	Roustaei	6,918,538	B2	7/2005	Breytman
5,773,810	A	6/1998	Hussey	6,967,794	B2	11/2005	Luthardt
5,783,811	A	7/1998	Feng	6,974,085	B1	12/2005	Koenck
5,786,582	A	7/1998	Roustaei	6,997,385	B2	2/2006	Palestini
5,786,586	A	7/1998	Pidhirny	7,007,843	B2	3/2006	Poloniewicz
5,793,033	A	8/1998	Feng	7,025,271	B2	4/2006	Dvorkis
5,811,828	A	9/1998	Laser	7,025,272	B2	4/2006	Yavid
5,818,528	A	10/1998	Roth	7,025,273	B2	4/2006	Breytman
5,821,518	A	10/1998	Sussmeier	7,042,490	B2	5/2006	Numazaki
5,825,006	A	10/1998	Longacre	7,055,747	B2	6/2006	Havens
5,825,559	A	10/1998	Johnson	7,063,256	B2	6/2006	Anderson
5,834,754	A	11/1998	Feng	7,073,711	B2	7/2006	Fernandez
5,844,229	A	12/1998	Rockstein	7,073,715	B2	7/2006	Patel
5,864,128	A	1/1999	Plesko	7,075,663	B2	7/2006	Canini
5,886,338	A	3/1999	Arackellian	7,077,325	B2	7/2006	Tan
5,897,195	A	4/1999	Choate	7,090,137	B1	8/2006	Bennett
				7,128,266	B2	10/2006	Zhu
				7,136,582	B2	11/2006	Hayami
				7,147,159	B2	12/2006	Longacre, Jr.
				7,201,318	B2	4/2007	Craen
				7,222,793	B2	5/2007	Patel
				7,224,540	B2	5/2007	Olmstead
				7,264,162	B2	9/2007	Barkan
				7,292,281	B2	11/2007	Cheng
				7,296,749	B2	11/2007	Massieu

(56)

## References Cited

## U.S. PATENT DOCUMENTS

7,315,241	B1	1/2008	Daily
7,344,273	B2	3/2008	Lewis
7,387,246	B2	6/2008	Palestini
7,392,951	B2	7/2008	Ray
7,395,970	B2	7/2008	Poloniewicz
7,454,841	B2	11/2008	Burns, Jr.
7,549,582	B1	6/2009	Nunnink
7,646,423	B2	1/2010	Yoshida
7,679,671	B2	3/2010	Tanaka
7,686,223	B2	3/2010	Vinogradov
7,728,905	B2	6/2010	Tanaka
7,813,047	B2	10/2010	Wang
7,821,569	B2	10/2010	Yang
7,850,377	B2	12/2010	Okamoto
7,853,137	B2	12/2010	Yang
7,900,839	B2	3/2011	Kotlarsky
7,942,329	B2	5/2011	Pine
7,957,007	B2	6/2011	Raskar
7,994,452	B2	8/2011	Sawabe
8,107,808	B2	1/2012	Messina
8,134,116	B2	3/2012	Nunnink
8,240,887	B2	8/2012	Daily
8,284,305	B2	10/2012	Newcomb
8,731,389	B2	5/2014	Gainer
8,947,590	B2	2/2015	Nunnink
9,823,552	B2	11/2017	Kungl
10,498,933	B2	12/2019	Nunnink
2002/0014532	A1	2/2002	Yomogida
2002/0034320	A1	3/2002	Mann
2002/0039099	A1	4/2002	Harper
2002/0074403	A1	6/2002	Krichever
2002/0114505	A1	8/2002	Mahon
2002/0130963	A1	9/2002	Gelbard
2002/0154223	A1	10/2002	Moriya
2002/0171745	A1	11/2002	Ehrhart
2002/0191309	A1	12/2002	Taylor
2003/0019934	A1	1/2003	Hunter
2003/0020491	A1	1/2003	Pierenkemper
2003/0062413	A1	4/2003	Gardiner
2003/0201327	A1	10/2003	Jam
2003/0205620	A1	11/2003	Byun
2003/0226895	A1	12/2003	Havens
2004/0020990	A1	2/2004	Havens
2004/0060032	A1	3/2004	McCubbrey
2004/0092138	A1	5/2004	Smith
2004/0159703	A1	8/2004	Kogan
2004/0238637	A1	12/2004	Russell
2005/0030744	A1	2/2005	Ducharme
2005/0035204	A1	2/2005	Knappert
2005/0045725	A1	3/2005	Gurevich
2005/0103851	A1	5/2005	Zhu
2005/0103854	A1	5/2005	Zhu
2005/0103857	A1	5/2005	Zhu
2005/0103858	A1	5/2005	Zhu
2005/0133601	A1	6/2005	Yomogida
2005/0167504	A1	8/2005	Meier
2005/0180037	A1	8/2005	Masterson
2005/0199725	A1	9/2005	Craen
2005/0212951	A1	9/2005	Miyata
2005/0275725	A1	12/2005	Olsson
2006/0008267	A1	1/2006	Kim
2006/0027659	A1	2/2006	Patel
2006/0034596	A1	2/2006	Yamazaki
2006/0043187	A1	3/2006	He
2006/0043191	A1	3/2006	Patel
2006/0055819	A1	3/2006	Pokrovsky
2006/0060653	A1	3/2006	Wittenberg
2006/0081712	A1	4/2006	Rudeen
2006/0103755	A1	5/2006	Costigan
2006/0181862	A1	8/2006	Pohlert
2006/0213994	A1	9/2006	Faiz
2006/0251408	A1	11/2006	Konno
2006/0279713	A1	12/2006	Wang
2007/0040034	A1	2/2007	Hennick
2007/0047947	A1	3/2007	Huang
2007/0057067	A1	3/2007	He
2007/0131770	A1	6/2007	Nunnink
2007/0153512	A1	7/2007	Hendrie
2007/0164115	A1	7/2007	Joseph
2007/0170259	A1	7/2007	Nunnink
2007/0241195	A1	10/2007	Hussey
2007/0247422	A1	10/2007	Vertegaal
2008/0006699	A1	1/2008	Hattersley
2008/0093530	A1	4/2008	Hoelen
2008/0121168	A1	5/2008	Ryznar
2008/0158678	A1	7/2008	Costigan
2008/0277480	A1	11/2008	Thuries
2009/0057413	A1	3/2009	Vinogradov
2009/0135287	A1	5/2009	Yang
2009/0159684	A1	6/2009	Barber
2009/0166424	A1	7/2009	Gerst
2009/0200380	A1	8/2009	Longacre, Jr.
2010/0013922	A1	1/2010	Cheng
2010/0165188	A1	7/2010	Jannard
2010/0176319	A1	7/2010	Nunnink
2010/0177319	A1	7/2010	Towers
2010/0284184	A1	11/2010	Yang
2011/0019106	A1	1/2011	Kimura
2011/0019162	A1	1/2011	Huebner
2011/0019914	A1	1/2011	Bimber
2011/0249966	A1	10/2011	Weber
2012/0039593	A1	2/2012	Yang
2012/0092549	A1	4/2012	Hsu
2012/0092848	A1	4/2012	Kuczynski
2013/0222572	A1	8/2013	Sasaki

## FOREIGN PATENT DOCUMENTS

EP	0574024	12/1993
EP	0745951	12/1996
EP	0755018	1/1997
EP	0840107	5/1998
EP	0957448	11/1999
EP	1308875	5/2003
EP	1519298	A2 3/2005
EP	1560150	B1 8/2005
GB	2444399	A 6/2008
JP	H09128471	5/1997
JP	H10134133	5/1998
KR	20100012905	A * 2/2010
TW	M350188	2/2009
WO	9603708	A1 2/1996
WO	9816896	A1 4/1998
WO	0016241	A1 3/2000
WO	03062956	A2 7/2003
WO	03063064	A1 7/2003
WO	2005041111	A2 5/2005
WO	2005050390	A2 6/2005
WO	2005073895	A1 8/2005
WO	2006004858	A2 1/2006
WO	2006026239	A2 3/2006
WO	2008076399	6/2008
WO	2010036403	A2 4/2010

## OTHER PUBLICATIONS

Cognex Corporation, "Dataman 100 SHD/C-Mount Kit Removal Instructions", 2007, Publisher: Cognex Corporation, Published in: US.

Gainer, "U.S. Appl. No. 13/302,922, Auto-Focus Mechanism for Vision System Camera", filed Nov. 22, 2011.

Nunnink, "U.S. Appl. No. 13/302,751, Vision System Camera With Mount for Multiple Lens Types", filed Nov. 22, 2011.

\* cited by examiner

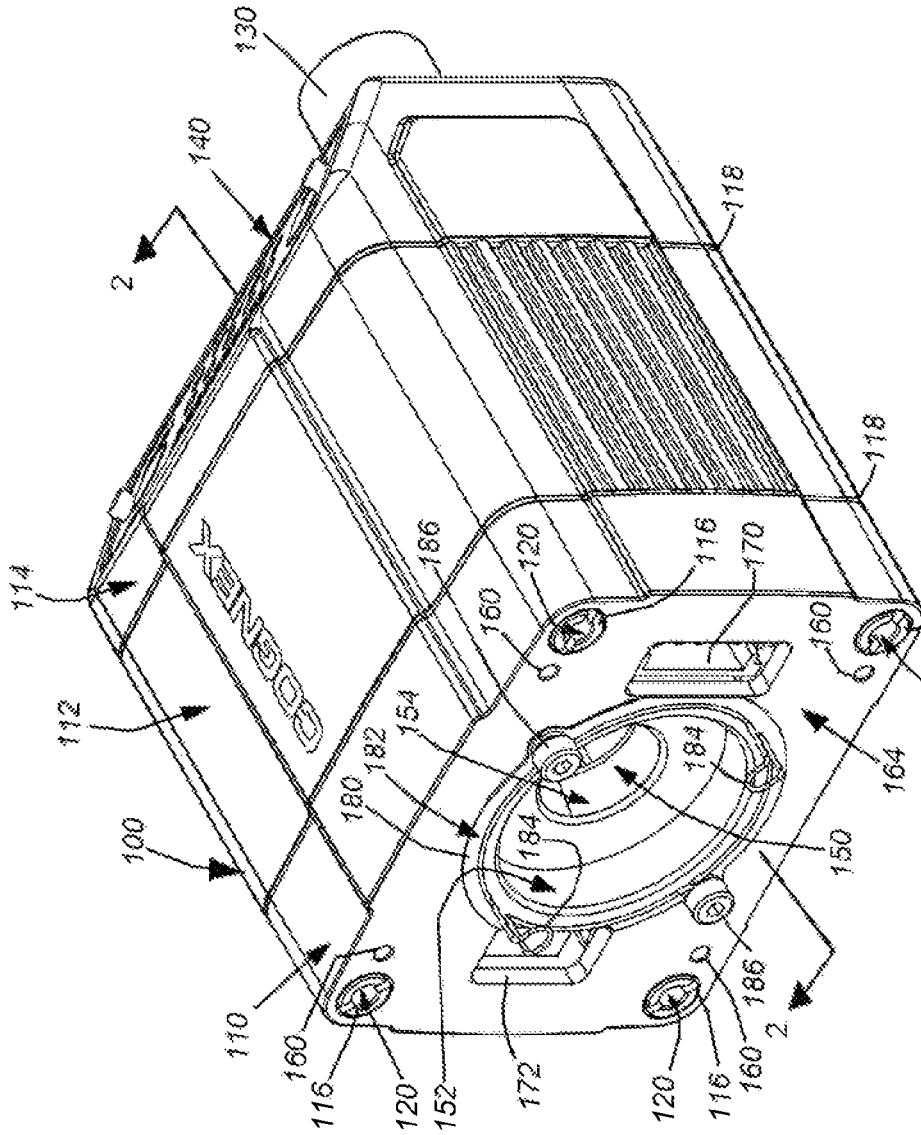


Fig. 1

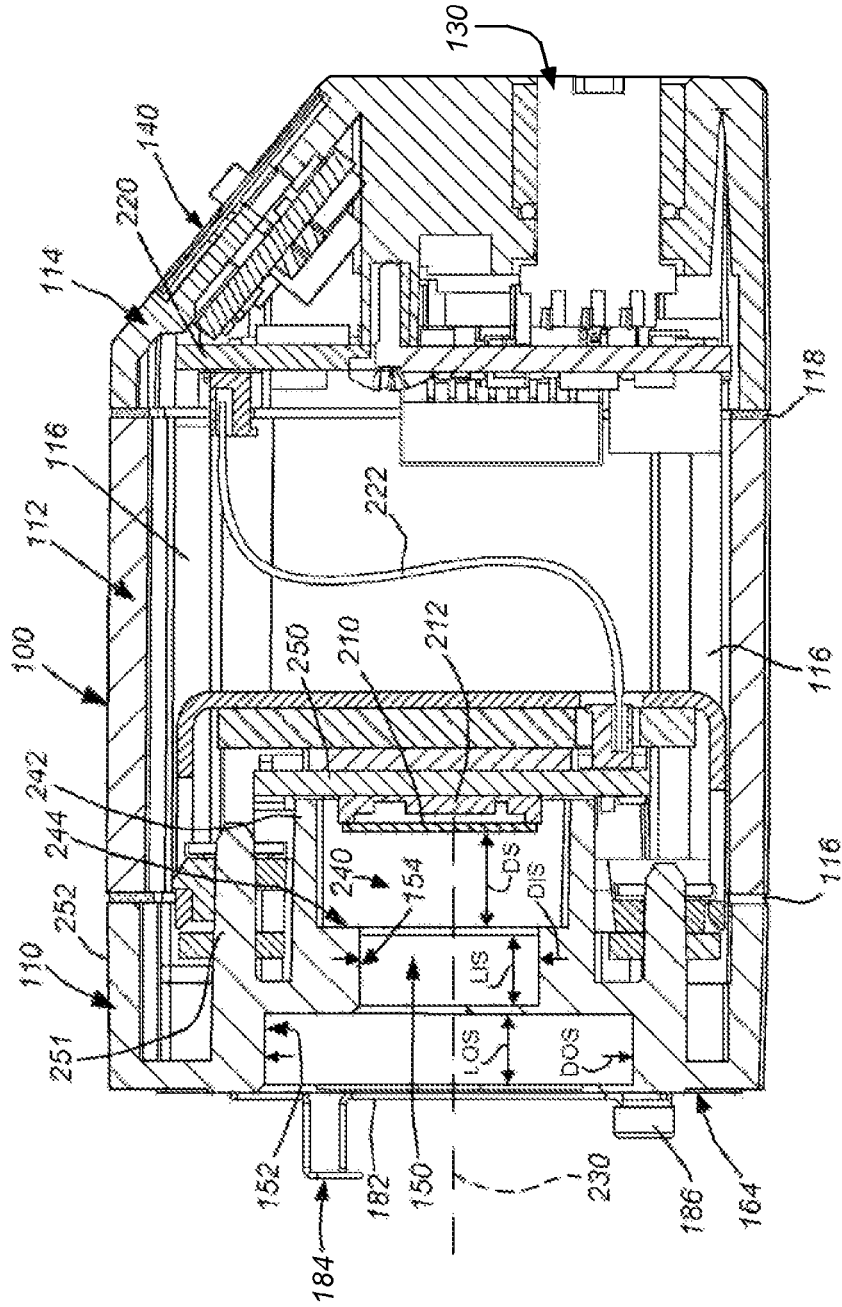


Fig. 2

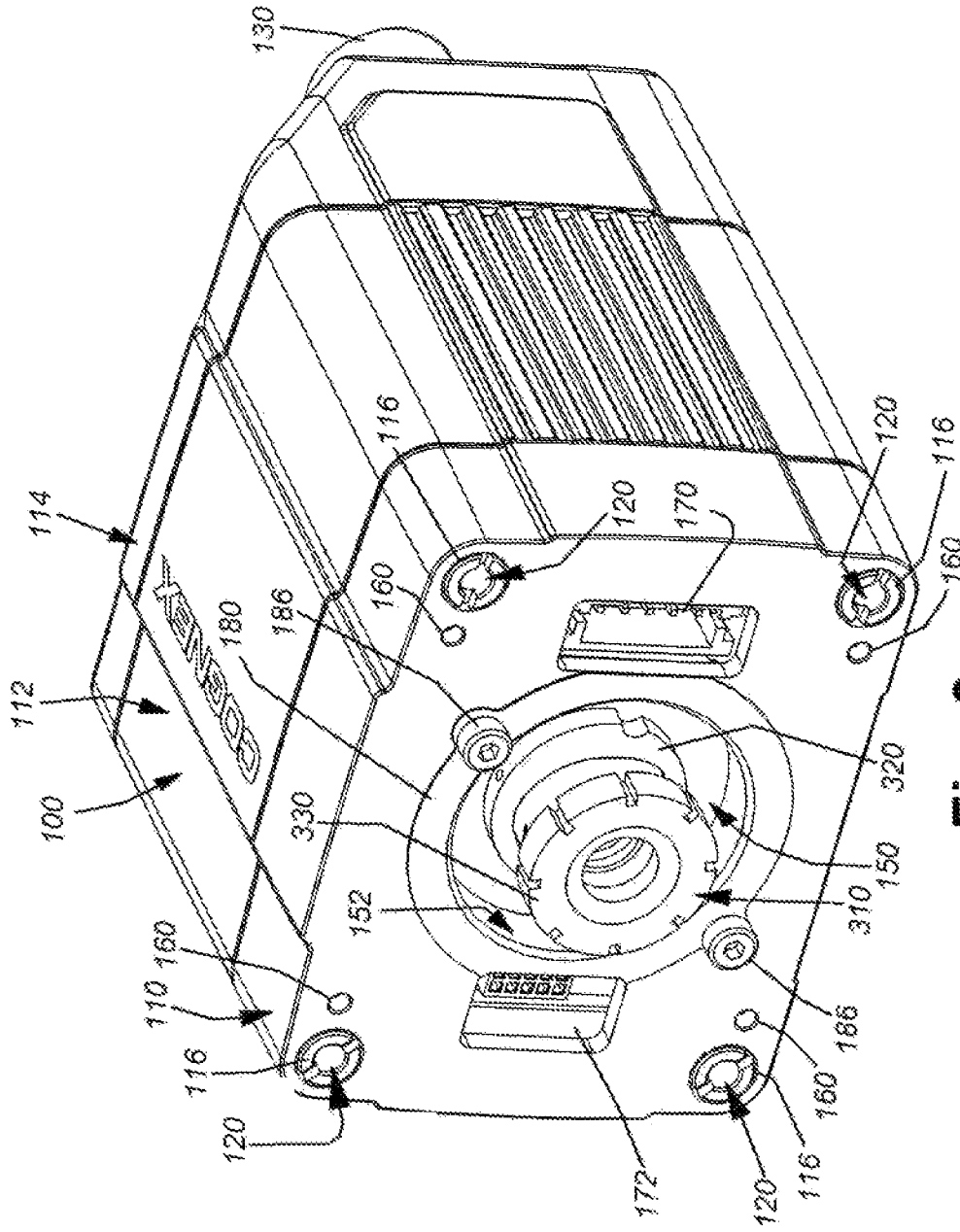


Fig. 3

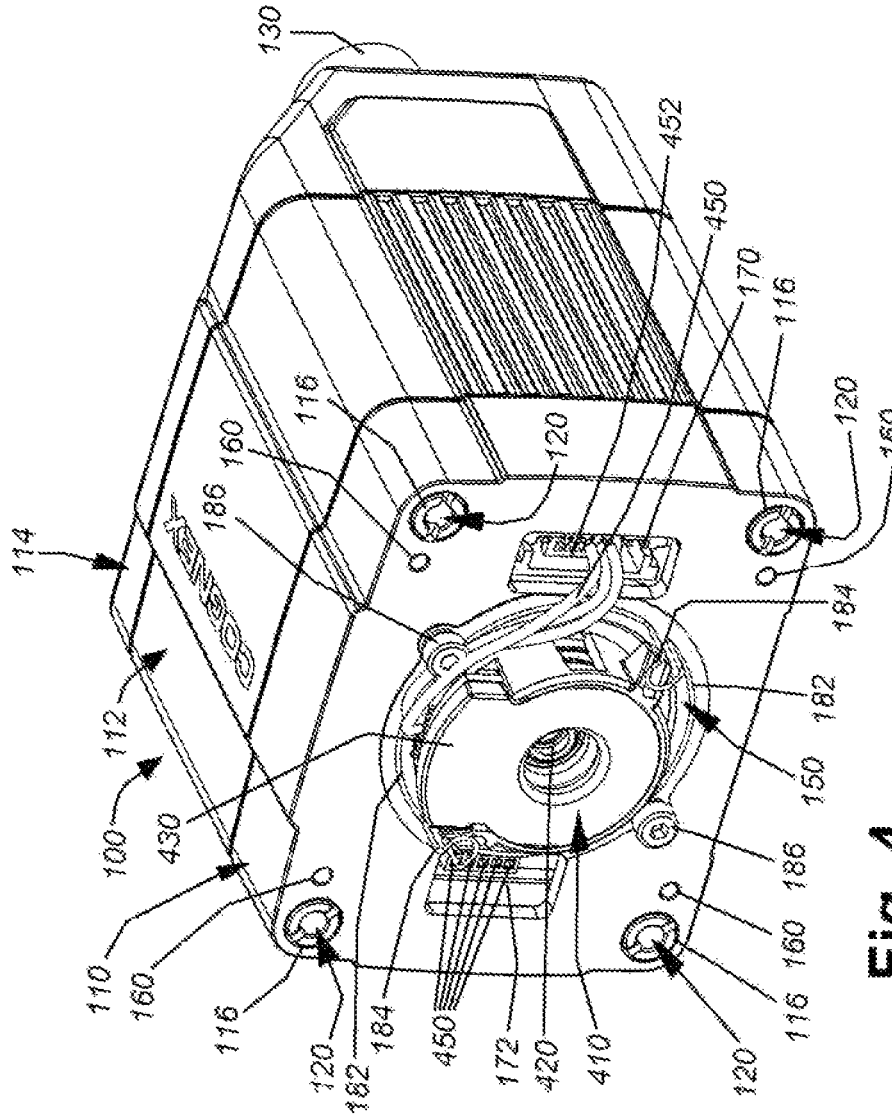


Fig. 4





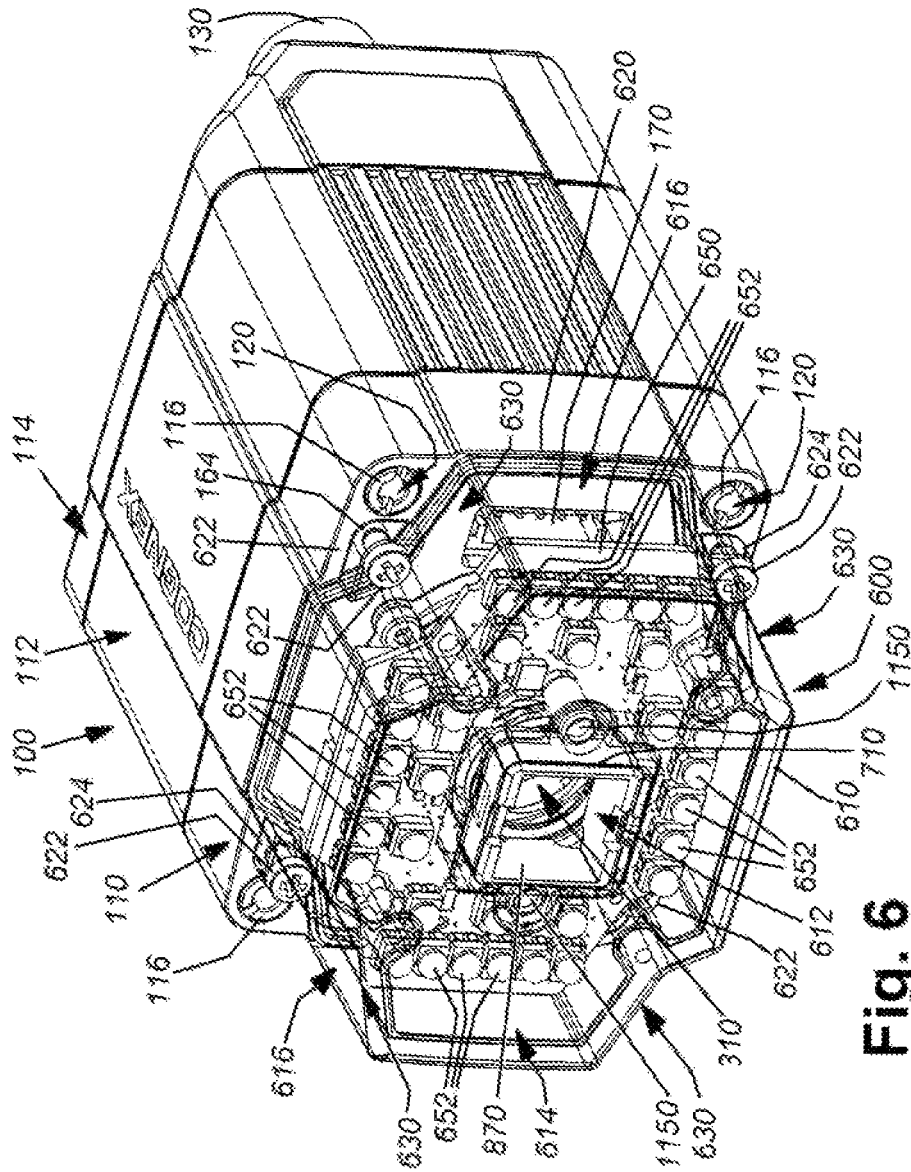


Fig. 6



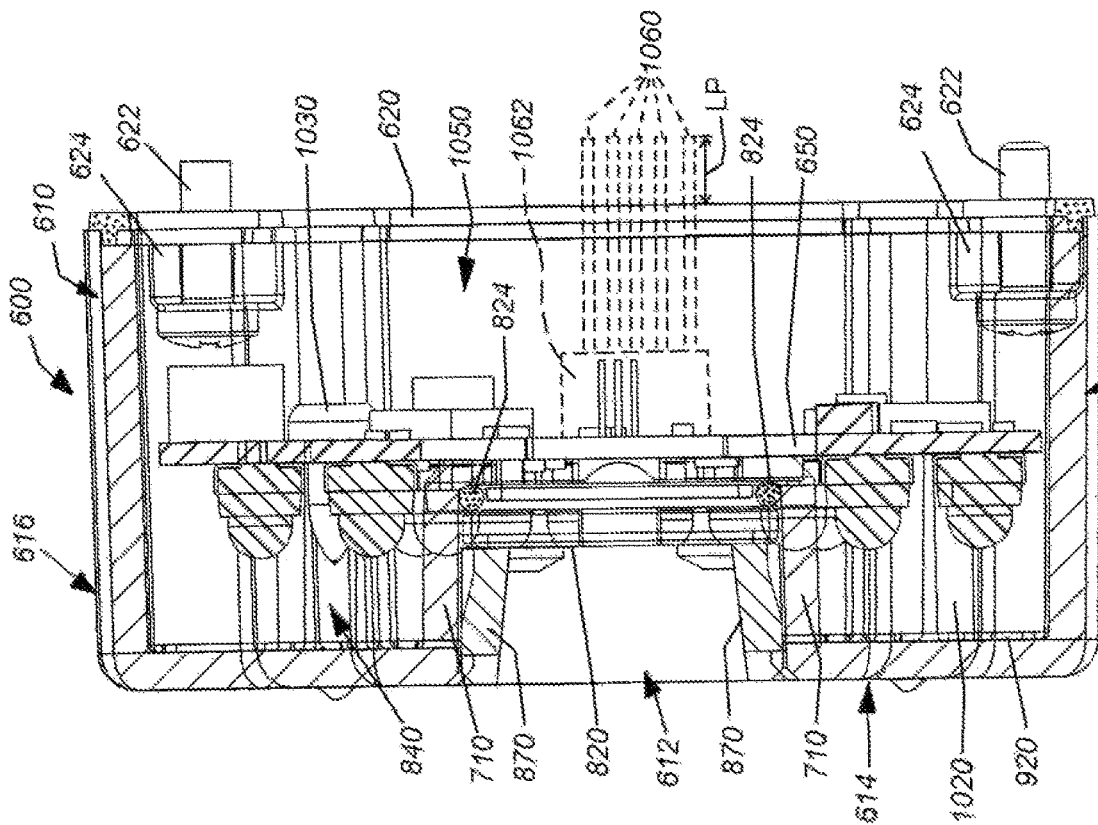


Fig. 8

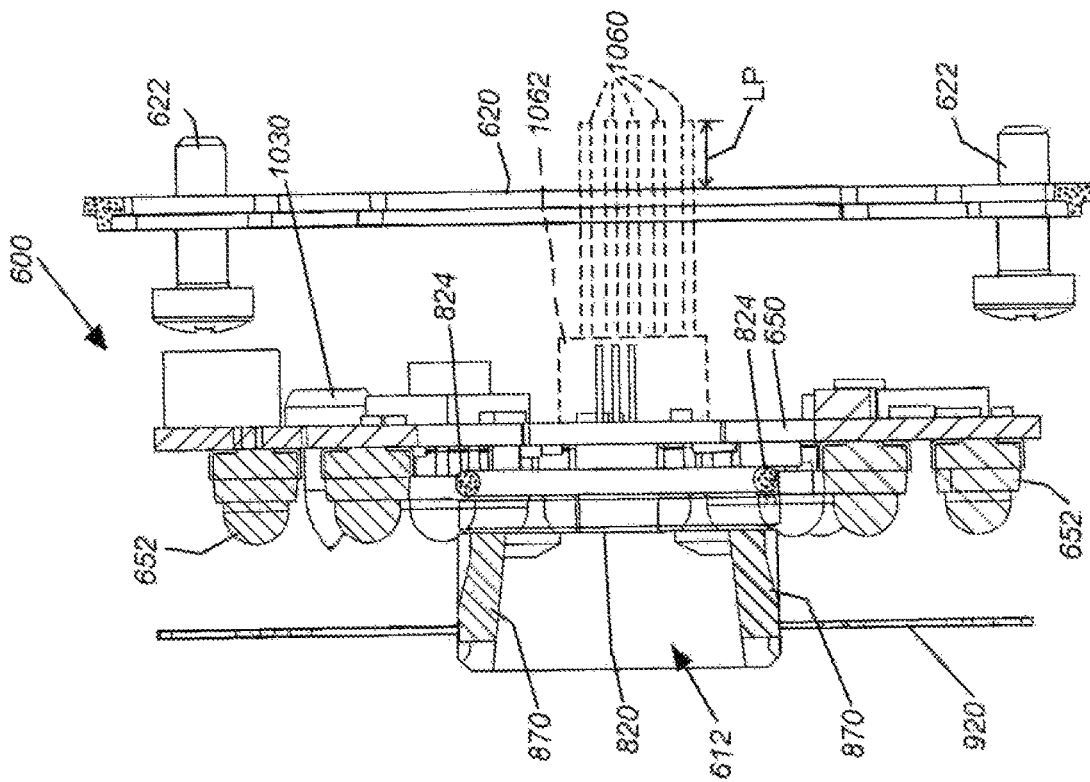


Fig. 9

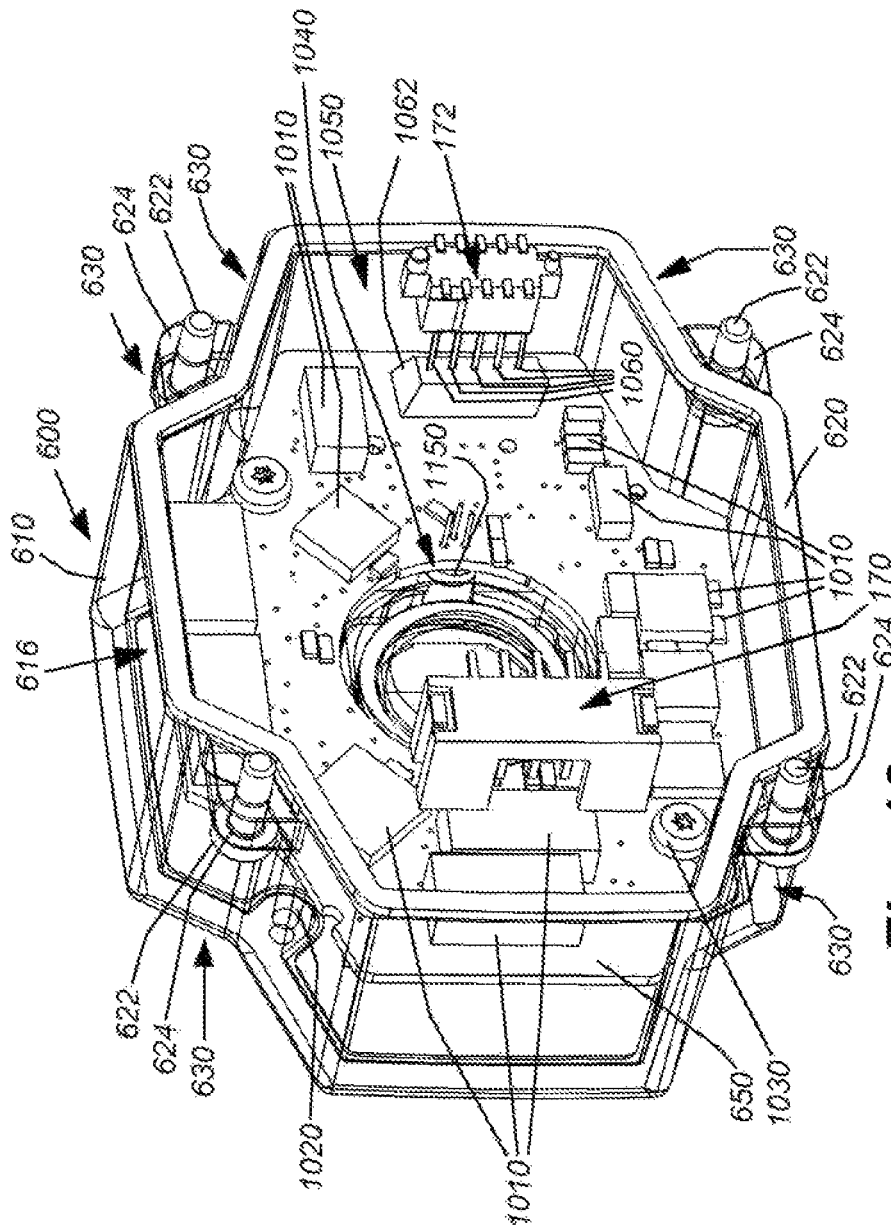


Fig. 10

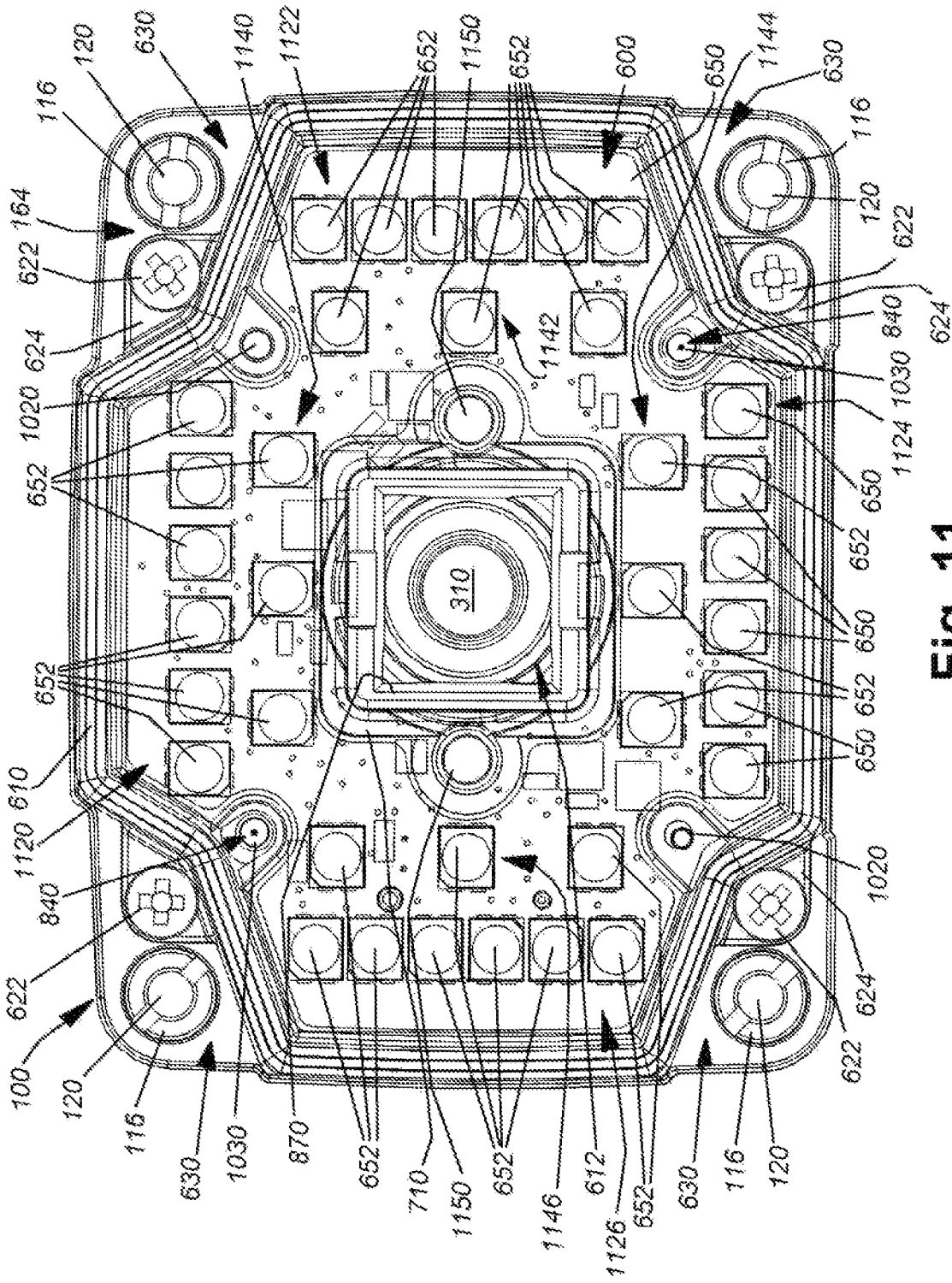


Fig. 11

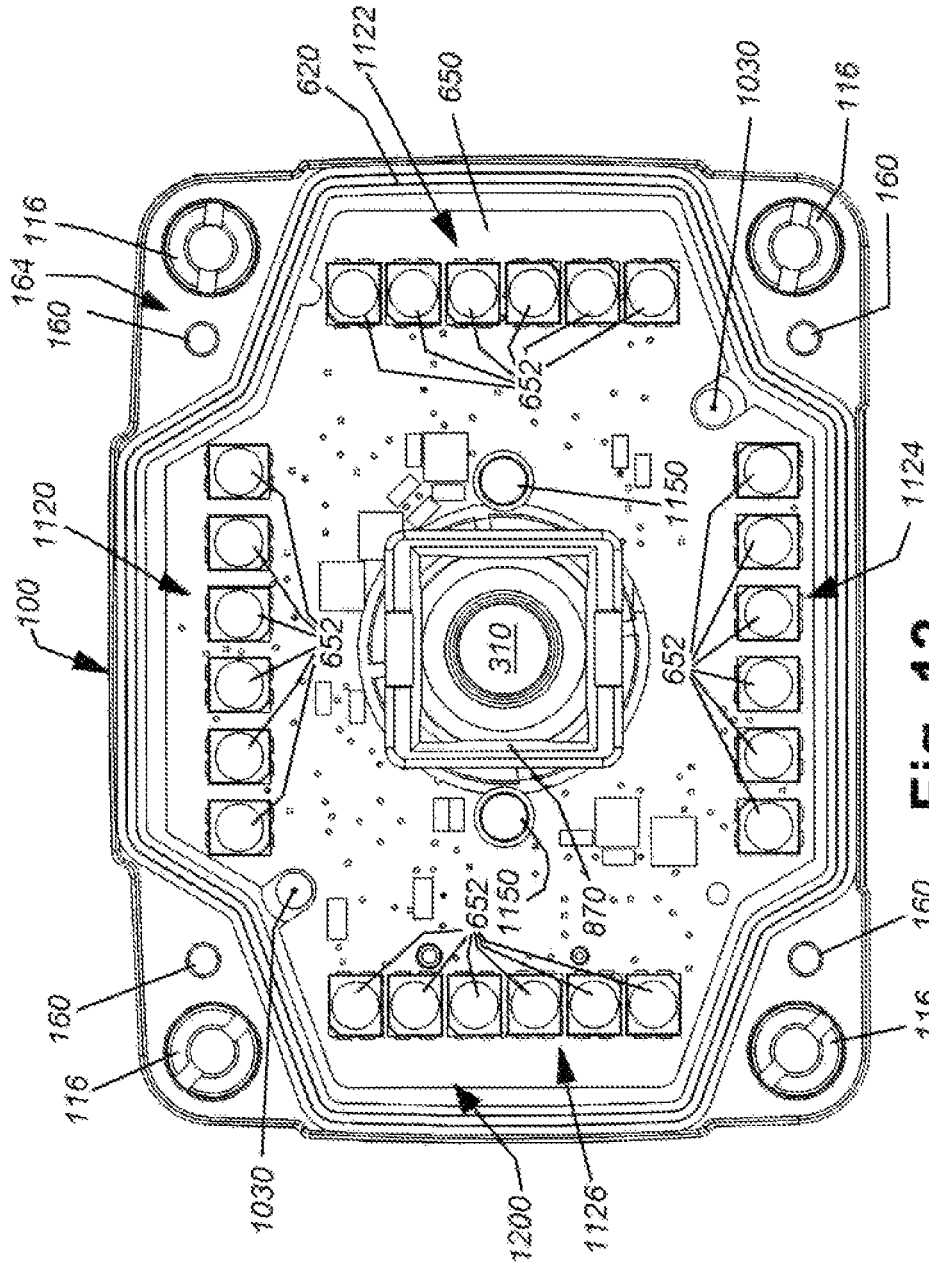


Fig. 12

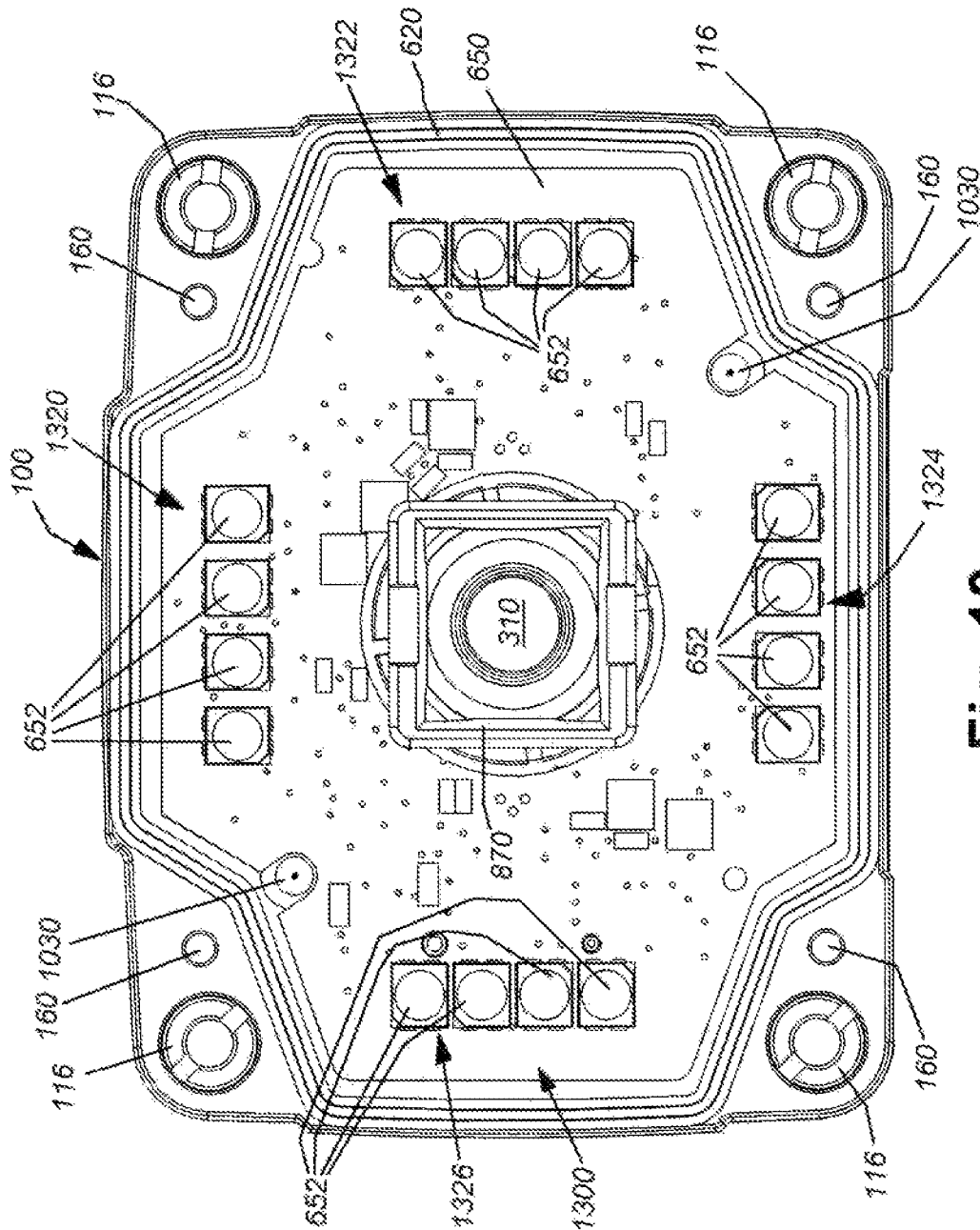


Fig. 13



## CAMERA SYSTEM WITH EXCHANGEABLE ILLUMINATION ASSEMBLY

### RELATED APPLICATION

This application is a continuation of U.S. patent application Ser. No. 16/700,969, entitled CAMERA SYSTEM WITH EXCHANGEABLE ILLUMINATION ASSEMBLY, filed Dec. 2, 2019, which is a continuation of U.S. patent application Ser. No. 13/302,858, entitled CAMERA SYSTEM WITH EXCHANGEABLE ILLUMINATION ASSEMBLY, filed Nov. 22, 201, now U.S. Pat. No. 10,498,933, issued Dec. 3, 2019, the teachings of each of which applications are expressly incorporated herein by reference.

### FIELD OF THE INVENTION

This invention relates to vision system cameras and more particularly to illumination systems for vision system cameras

### BACKGROUND OF THE INVENTION

Vision system that perform measurement, inspection, alignment of objects and/or decoding of symbology (e.g. bar codes) are used in a wide range of applications and industries. These systems are based around the use of an image sensor, which acquires images (typically grayscale or color, and in one, two or three dimensions) of the subject or object, and processes these acquired images using an on-board or interconnected vision system processor. The processor generally includes both processing hardware and non-transitory computer-readable program instructions that perform one or more vision system processes to generate a desired output based upon the image's processed information. This image information is typically provided within an array of image pixels each having various colors and/or intensities. In the example of a symbology (barcode) reader, the user or automated process acquires an image of an object that is believed to contain one or more barcodes. The image is processed to identify barcode features, which are then decoded by a decoding process and/or processor obtain the inherent alphanumeric data represented by the code.

It is increasingly desirable to provide vision systems and associated vision system components that can be used for a variety of purposes. By way of example, an integrated sensor and single instruction, multiple data (SIMD) processor, which can be termed a vision system on a chip (VSoC), is shown and described in U.S. patent application Ser. No. 12/184,187, entitled VISION SENSORS, SYSTEMS AND METHODS, by E. John McGarry, et al., the teachings of which are incorporated by reference as useful background information. This architecture provided a highly versatile and widely applicable vision system platform for a variety of vision system tasks. The ability to provide a versatile system reduces costs by eliminating the need to provide a number of purpose-built vision system arrangements for specific applications. It is therefore desirable to provide such versatile vision system platforms. Other currently available arrangements of sensors and processors (e.g. digital signal processors (DSPs)) can also be employed to provide a relatively compact and robust vision system.

A significant component of many camera systems is the illumination assembly. To adequately acquire an image of an object's surface, it is desirable to illuminate it appropriately. Depending upon the features being imaged and the relative angle of the camera axis to the features, the type of illumina-

nation employed can vary. For example, some features (e.g. beveled features) can be best imaged using low-angle illumination, while other features (e.g. printed, high-contrast features) are typically best imaged using direct, high-angle illumination. Likewise the wavelength of illumination can vary depending on the nature of the features—that is, some features are best illuminated in the visible range, while others may be enhanced using infrared (IR) or ultraviolet (UV) light. Likewise, for some applications it is desirable to employ polarized light and/or to filter the light entering the camera with a polarizer or other appropriate optical filter. Many camera systems include a ring illumination arrangement consisting of one or more rows of that encircle the camera lens. These illuminators are often fixed in place, constructed on a circuit board, and containing a predetermined number and arrangement of lighting elements, such as LEDs. The illuminator is provided to the system based upon its expected application and is not readily replaced after the system has been delivered. Moreover, the manufacturer may offer systems with a various choices of illuminators in order to provide needed inventory to satisfy a potential customer's needs. Some of these systems may remain in inventory for a long duration before they are sold (if they are sold at all) to a customer/user. This increases the manufacturer's costs and can result in a limited number of available illuminator choices. To meet a specific user's need, the manufacturer may need to produce a custom-designed illuminator that entails further costs and delays in delivering completed vision systems to the user.

Moreover, when a system is delivered with an illumination assembly that proves inadequate, or it is desirable to re-task the system to a different application, it may be challenging or impractical to exchange the attached illuminator with one more suited to the task.

It is therefore desirable to provide an illumination assembly for a vision system that is highly versatile and adaptable to a variety of different applications without the need to maintain a large inventory of completed vision systems. This illumination assembly should be capable of interoperating with a variety of camera lens systems and should allow for exchangeability while avoiding the need of costly changes to the underlying vision system's physical housing or package. Moreover, the illumination assembly should enable a variety of types (wavelengths) of light to be projected, at a variety of angles, and in a wide range of power output levels. In addition, the illumination assembly should allow for use of various filters, to condition the projected illumination and/or to optically filter light received by the camera from the illuminated scene.

### SUMMARY OF THE INVENTION

This invention overcomes disadvantages of the prior art by providing a vision system with an exchangeable illumination assembly that allows for increased versatility in the type and configuration of illumination supplied to the system without altering the underlying optics, sensor or vision processor, and their associated housing. The vision system housing includes a front plate that optionally includes a plurality of mounting bases for accepting different types of lenses. An optional connector is provided on the front plate to accept an electrical connection for a liquid lens component. The front plate includes a connector that allows removable interconnection with the illustrative illumination assembly. The illumination assembly includes a cover that is light transmissive on at least the front face thereof. The cover encloses an illumination component that can include a

plurality of lighting elements (illustratively, LEDs in discrete banks) that surround an aperture through which received light rays from the imaged scene pass through to the lens. The cover can include a window, aligned generally with the optical axis of the lens/optics. Window can be transparent or constructed and arranged to selectively filter received light. Where the window provides a non-transparent optical characteristic, it can block or allow passage of discrete ranges of light wavelengths, or block/allow passage of discrete directions of light, such as a polarizer. The window can also provide other light-conditioning effects, such as a holographic diffuser. The lighting elements/LEDs can also include light-conditioning components in the form of lenses, covers or an insert that resides between the lighting elements and the light-transmissive cover face. The insert can diffuse or otherwise filter transmitted light and can include a plurality of differing effects with respect to differing lighting elements on the overall illumination component. The illumination component can comprise a circuit board that is seated within a well formed by the cover. The rear face of the circuit board is spaced apart from the rear edge of the cover, which removably and sealingly engages the front plate. The space provides clearance for a lens component projecting forwardly of the face of the front plate. The rear of the circuit board also includes a connector that removably engages the connector on the front plate. In an embodiment, the front plate's illumination connector is a multi-pin socket and the illumination assembly connector is a plurality of pins aligned with receptacles of the socket and generally parallel to the lens axis when the illumination assembly engages the front plate. The illumination assembly includes a gasket at the rear edge, and is secured to the front plate by a plurality of fasteners that pass through bases on cover and into the front plate. In an embodiment, the lighting elements (e.g. LEDs) are arranged in at least four discrete banks that surround the aperture. Illustratively, the banks each comprise a line of LEDs and can be arranged with an inside bank and an outside bank on each of the four sides. A pair of aiming lighting elements (e.g. laser diodes or LEDs) can also be provided adjacent to the aperture. The arrangement of LEDs (or other lighting elements) is highly variable. Different LEDs can be operated at different times to achieve different illumination effects. For example, different banks of LEDs can transmit light in different visible or non-visible wavelengths. The configuration of LEDs/lighting elements on the board can be varied, and the user can be supplied with an illumination assembly that best suits its needs without need to change the vision system processor, sensor or housing. When a different illumination configuration is desired, the current illumination assembly can be readily removed and a different illumination assembly can be attached to the housing. Likewise, various illumination assemblies can be provided with windows having differing optical characteristics so that the light received at the lens provides a desired condition (e.g. filtered, polarized, etc.). The illumination includes circuitry that selectively operates the LEDs/lighting elements, based for example on control signals (e.g. discrete strobe signals to enable, disable and activate various banks of LEDs) provided by the vision system processor through the interconnection.

#### BRIEF DESCRIPTION OF THE DRAWINGS

The invention description below refers to the accompanying drawings, of which:

FIG. 1 is a perspective view of a vision system including a housing that allows for the removable attachment of a

plurality of different lenses and illumination assembly configurations, according to an illustrative embodiment;

FIG. 2 is a side cross section of the housing taken along Line 2-2 of FIG. 1;

FIG. 3 is a perspective view of the vision system of FIG. 1 in which the housing includes an exemplary M12 type lens attached thereto, according to an illustrative embodiment;

FIG. 4 is a perspective view of the vision system of FIG. 1 in which the housing includes an exemplary liquid type lens attached thereto, according to an illustrative embodiment;

FIG. 5 is a perspective view of the vision system shown in FIG. 1 in which the housing includes an exemplary C-Mount type lens attached thereto, and in which the lens is covered by an optional shroud assembly, according to an illustrative embodiment;

FIG. 6 is a perspective view of the vision system of FIG. 1 showing an embodiment of an exchangeable illumination assembly mounted to the front plate of the housing;

FIG. 7 is a side view of the illumination assembly of FIG. 6 shown detached from the housing;

FIG. 8 is a side cross section of the illumination assembly of FIG. 6;

FIG. 9 is a side cross section of the illumination assembly of FIG. 6 with translucent cover omitted;

FIG. 10 is a rear perspective view of the illumination assembly of FIG. 6 showing the relative position of housing electrical connectors;

FIG. 11 is a front view of the vision system shown in FIG. 6 with the illumination assembly mounted on the housing;

FIG. 12 is a front view of the vision system shown in FIG. 6 with the illumination assembly mounted on the housing and having a differing illumination configuration according to an exemplary embodiment; and

FIG. 13 is a front view of the vision system shown in FIG. 6 with the illumination assembly mounted on the housing and having another differing illumination configuration according to another exemplary embodiment.

#### DETAILED DESCRIPTION

With reference to FIGS. 1 and 2, a vision system that includes an external package or "housing" **100** is shown in detail. The housing **100** can be constructed from polymer, metal, composite or a variety of materials in accordance with ordinary skill. In an embodiment, it consists of a front plate section **110**, a main body section **112** and a rear section **114**. The front plate section (or "front plate") **110** is joined to the main body and rear sections using four threaded bolts **116** that are seated within wells in the front plate **110**, and that engage threaded holes in the rear section, thereby compressing the three sections together against gaskets **118** that seal the housing against infiltration of moisture and other environmental agents. The construction of the housing is highly variable in alternate embodiments. For example, the housing can be constructed with an integrated or unitary rear and main body or a unitary front plate and main body. Likewise, other fastening techniques can be employed, such as employing joining clamps or clips between sections.

In this embodiment, the bolts **116** are located adjacent to each of four corners of the somewhat rectangular-cross-section housing. The bolts **116** each illustratively contain respective threaded wells at their front end that allow for the attachment of accessories using threaded fasteners, or the attachment of the housing itself to a mounting surface.

The interior of the housing **100** supports an image sensor **212** (FIG. 2) that is arranged to acquire each image frame as

an array of individual image pixels. In an embodiment, the sensor array is a CMOS sensor **212** (also termed an “imager”), which acquires image data in the form of pixel data. A cover glass **210** is provided to protect the sensor array **212**. The sensor **212** is mounted on a printed circuit board **250** secured as depicted near the front end of the housing. The sensor circuit board **250** also illustratively includes processing circuitry (e.g. a digital signal processor DSP) that receives the pixel data from the sensor array **212** and performs various vision system processes on the data in accordance with non-transitory computer-readable program instructions and/or firmware instructions. The sensor circuit board **250** is interconnected with various power, control and other associated circuit components located on a circuit board **220** in the rear **114** of the housing. The two board assemblies **220**, **250** are illustratively interconnected by a multi-lead cable **222** in this embodiment. Other arrangements of circuitry and interconnections are expressly contemplated. For example, in another embodiment, a VSoC arrangement (described above) can be provided to perform image acquisition and processing. The rear section **114** (and/or other sections **110**, **112** of the housing) can be constructed from aluminum so as to act as a heat sink that assists in dissipating heat generated within the housing by the circuitry (described further below).

An external connector (or a plurality of connectors) **130** are located at the rear side of the housing **100** for providing power, data and/or other interface functions. The connector (s) is/are operatively connected to the circuit board **220**. The rear also includes an external status and control panel **140** that provides the user with status indicators and feedback on vision system operations (for example, indicating whether a symbol has been properly identified and decoded). Appropriate on/off switches and other interface buttons can also be provided at this location, or at another appropriate location on the housing **100**.

The plane of the sensor **212** is oriented perpendicularly to the longitudinal axis (i.e. camera axis) **230** of the housing **100**. It resides within a space **240** that is open to an aperture **150** within a central region of the front plate **110**. The space **240** is bounded by an enclosing wall **242** (having a relatively planar sides that can define a rectangular cross-section tube) that provides clearance for the sensor **212**. The wall **242** extends from a step face **244** to the surface of the sensor circuit board **250**. The distance DS from the step face **244** to the plane of the sensor **212** is approximately 6 millimeters. The aperture **150** is defined by an outer step **152** and a narrower inner step **154**. Each step is threaded as described below. In particular, the outer step **152** defines a diameter DOS of approximately 25.4 millimeters (1 inch) and a depth (along the axial direction) LOS of approximately 5 millimeters. Likewise, the inner step **154** defines a diameter DIS of approximately 12 mm. The outer step **152** is female-threaded to a pitch of 32 threads per inch (TPI) and the inner step **154** is female-threaded to a pitch of 0.5 mm. In general, the positioning of the steps and size of the space are constructed and arranged to accommodate the focal length of each lens type being employed herein.

In an embodiment, the front plate assembly **110** is constructed from metal (e.g. die cast aluminum alloy), which is finished using an appropriate machining process. The casting includes the depicted recesses **152**, **154** and other supporting structures (i.e. walls **242**, **251** and **252**) for lenses and other internal components. Notably, the supporting walls **242** (etc.), which contact and/or surround the sensor circuit board **250** assist in directing heat away from the board **250** and its associated circuit components and into the

housing structure, where the heat is dissipated into the surrounding ambient air. In alternate embodiments the layout and configuration of the supporting structures can vary. In general, the thickness of walls used in such supporting structures is selected to provide sufficient structural strength with respect to the material employed in constructing the front plate **110**. The front plate assembly **110** includes, along its front face **164**, a plurality of threaded holes **160** that can be female-threaded to any appropriate size, so as accept corresponding threaded screws (described below). These screws can be used to attach a plurality of fittings and accessories to the front plate.

Note that directional terms such as “front”, “rear”, “up”, “down”, “top” bottom”, “right”, and “left”, as well as their variants and synonyms, should be taken as relative conventions only, and not as absolute indications of orientation of a structure relative to the direction of prevailing gravitational force.

With reference particularly to FIG. 1, the face **164** of the front plate assembly **110** includes a pair of connection sockets **170** and **172** respectively oriented to the right and left of the aperture **150** (as viewed from the front). Both sockets include respective connectors, which are interconnected with the system’s processor circuitry (i.e. **250** and **220**). The right socket **170** is employed to operate the optics of a liquid lens (described further below). The left socket **172** is employed to interconnect and operate an illumination assembly that can be directly attached to the front plate via threaded holes **160** or can be separately mounted. The illumination assembly is described in further detail below.

The perimeter **180** of the aperture **150** includes a circumferential spring assembly **182** with a pair of diametrically opposed, radially inwardly directed retaining shoulders **184**. The spring assembly **182** is removably secured to the front face **164** by opposed screws **186** (M2 thread in this embodiment) that threadingly seat into holes (**502** in FIG. 5). In an embodiment, the screws **186** are separated by a distance (on-center) of approximately 28 millimeters, taken through the camera axis (**230**). As described further below, the removable spring assembly is constructed and arranged to retain a liquid lens assembly.

It is contemplated that a user receives a housing **100** with a cap (not shown) to protect the aperture and sensor, and that the applicable lens and illumination assembly is purchased separately—to be attached by the user in a straightforward manner as described further below. Alternatively, the lens and/or illumination assembly can be provided to the housing by the manufacturer. In either case, there are a wide range of lens choices available.

Having described the generalized construction and function of the housing **100** and front plate assembly **110** according to an illustrative embodiment, the implementation of various types of lenses in conjunction with the housing is now described in further detail. With reference to FIG. 3, the housing **110** is provided with an attached M12 lens **310** according to an embodiment. By way of non-limiting example, the lens is a commercially available M12 lens with a conventional M12 threaded base. The male thread of the lens is secured into the female thread of the narrower, more-inset step **154**, and is stopped from further inward threading, and generally locked in place using a counter nut **320**, which is initially threaded onto the lens **310** base before attachment to the front plate assembly **110**. The applied counter nut **320** can be adhered by the manufacturer (or another party) in place at an appropriate location along the lens using adhesive or another fixing technique. This ensures that, when the lens is tightened into place (e.g. by the user)

to form a tight engagement with the front face **430** of the step **154** as shown, it is also positioned at a proper, predetermined distance with respect to the sensor's image plane. The lens **310** is thereby locked in place at a desired offset (to provide proper focal length) with respect to the plane of the sensor **212**. Alternatively, where the user seeks to vary the mounting position of the lens, the counter nut can remain unfixed to the lens thread and counter-rotated by the user (or another party) to secure the lens in a desired position.

The front end of the lens can include a radially outwardly oriented ring **330** that engages the inner perimeter of an optional, frustoconically shaped stopper (not shown). The stopper protects the region of the aperture **150** between the lens front and the outer step **152**, and avoids inadvertent loosening or readjustment of the tightened lens/counter ring **310/320** and protects against infiltration of dirt and moisture. The stopper can be constructed from an elastomeric material, and is removable press-fit into place against the C-mount female threads. In alternate embodiments, the stopper can employ a different securing system with respect to the housing front plate assembly **110**, such as clips or mating threads.

It should be clear that attachment and detachment of the exemplary M12 lens **310** is relatively straightforward and entails the threaded rotation of only a few components with respect to the inner step **154** and (optionally) the outer step **152**. Thus, the user or the manufacturer can desirably assemble an M12 lens vision system from a few readily available components. Likewise, if the user desires a C-mount-lens-based vision system, the housing can be assembled as shown in FIG. **5** (described below).

According to the illustrative embodiment, the front plate assembly **110** is also constructed and arranged to mount a liquid lens assembly **410**, as shown by way of example in FIG. **4**. The exemplary liquid lens **810** can be based upon a commercially available liquid lens component **420** available from Varioptic SA of France. The liquid lens component **420** is mounted within an outer shell/housing **430** that is secured in place by the spring shoulders **184** described above. It is expressly contemplated that alternate hold-down arrangements for the liquid lens **410** can be employed. For example, the housing can include a C-mount base that engages the threads of the outer step **152**. An advantage of the spring-retained lens arrangement is that it allows for the positioning of the connector cable **450** in a location that leads properly to the socket **170** (where the cable's connector **452** is shown connected in FIG. **4**). Note that the socket and connector can be any acceptable multi-pin arrangement that provides a sufficient number of discrete lead connections to control the liquid lens assembly.

In another example shown in FIG. **5**, the male-threaded base of an exemplary C-mount lens **510** is threadingly attached to the female threads of the outer step **152** (see FIG. **1**). The lens' base has been tightened so that its rear shoulder (not shown) engages the perimeter **180** of the aperture **150** (see also FIG. **1**).

The C-Mount lens shown in FIG. **5** is optionally covered by a shroud (or cover) assembly **512** that primarily protects it from ingress of dirt/contaminants and moisture, and can also serve to protect against inadvertent change to the lens settings. The shroud assembly consists of a gasket plate **520** that covers the front face (**164** in FIG. **1**) and an overlying shroud base **530**. The gasket plate **520** and shroud base **530** include through-holes that expose the central threaded holes (**120** in FIG. **1**) of each of the assembly bolts **116**. This allows the system to be mounted as described above, or receive additional accessories on top of the shroud base **530**.

The gasket plate **520** and shroud base **530** thereby cover and seal the sockets (**170**, **172**) in this configuration. In alternate embodiments, one or both of the sockets **170**, **172** can be exposed through the gasket plate **520** and shroud base **530**. The shroud base **530** and gasket plate **520** are secured to the front plate assembly **110** are compressibly secured by four screws (not shown) that thread into the screw holes **160** formed on the front plate assembly **110**. In this embodiment, the shroud base **530** is countersunk in the region of each threaded hole **160** to receive a correspondingly shaped machine screw. Different screws or any other fastener arrangement that secures the shroud base **530** and (optionally) the gasket plate **520** can be employed in alternate embodiments can be employed in alternate embodiments. The front ring **532** of the shroud base **530** receives the shroud body **540**, which overlies and covers the lens **510**. The shroud body **540** can be constructed as a single piece, or from a plurality of pieces (e.g. a main body and nose as shown). It can be secured to the ring **532** by a threaded interconnection or another fastening arrangement.

Notably, the structure of the liquid lens arrangement and the use of a variety of directly-mounted lens assemblies are each described more fully in commonly assigned U.S. patent application Ser. No. 13/302,751, entitled VISION SYSTEM CAMERA WITH MOUNT FOR MULTIPLE LENS TYPES, by Laurens Nunnink, the teachings of which are incorporated herein by reference as useful background information.

Also notably, in the configuration of FIG. **5**, the liquid lens connection socket **170** and illumination assembly connection socket **172** are each closed-off by the shroud assembly **512**, and illumination of the imaged scene is provided separate from the housing. In alternate embodiments the illumination socket **172** can be exposed through the shroud assembly for interconnection with a cable and remote (or attached illuminator). In other examples described above, the system allows for use of an exchangeable, directly attached illumination assembly along the front face **164** of the housing **100** according to illustrative embodiments. These embodiments are now described in further detail.

With reference to FIG. **6** the above-described housing **100** includes an exchangeable illumination assembly **600** attached to the front face (**164**) of the front plate assembly **110** according to an illustrative embodiment. The illumination assembly **600** includes a transparent or translucent cover **610**. The cover can be constructed from any acceptable material, such as polycarbonate, acrylic or the like. It can be clear or colored and include a smooth or textured (e.g. frosted) surface along at least some of its interior or exterior surface. The cover **600** can be a constant thickness or can vary in thickness—for example a thickness of 2-7 millimeters. The central region of the cover **610** defines a slightly tapered recess **612** centered around the camera axis (**230** in FIG. **2**), and allowing for a field of view that enables unobscured or unoccluded imaging of a scene by the lens **310**. As described below, the recess **612** leads rearwardly to a window **820** (see FIG. **8**) that protects the lens and allows for application of various optical filters. Note that the above-described M12 lens **310** is used in this example. However, a variety of similarly sized and mounted lens types, as well as the above-described liquid lens can reside within the housing **100** in conjunction with the illustrative illumination assembly **600**. In general, any lens that is sufficiently dimensioned to fit beneath the illustrative illumination assembly can be employed in the vision system according to an embodiment.

The cover **610** defines a front face **614** and a forwardly directed side wall structure **616**. The side wall structure **616** joins the front face **164** of the housing's front plate assembly **110** at a gasketed joint **620**. The gasket **620** maintains a seal that prevents environmental contamination of the system, as the cover is otherwise fully sealed as a unitary structure that is free of holes or perforations along its surface. The cover is secured to the front face **164** of the front plate assembly **110** by a plurality of screws (or other fasteners) **622** that pass through bases **624** that extend from the sidewall structure **616** at four (or another number) locations. The bases **622** and associated fasteners **620** are aligned with the holes **160** described above. In this embodiment, the sidewalls define a multi-sided, polygonal shape that includes indents **630** at the corners to provide clearance for the cover's bases **624** and the front plate assembly's bolts **116**. In this manner, the bolts are open to allow attachment of the housing with attached illumination assembly **600** to a mounting system (via the threaded holes **120**). In alternate embodiments, the cover **610** can be arranged so that the bolts **116** are covered, and attachment to a mounting system, if desired, is accomplished using a clamp or other appropriate attachment device.

Further reference is made the FIGS. 7-9, which show the illumination assembly **600** detached from the housing **100**. The circuit board **650** is shown contained within the cover **610**, so that a plurality of illumination elements (e.g. high-output LEDs **652** in this embodiment) are directed forwardly to transmit visible light (and/or other wavelengths of light) through the front face **614** of the cover **610** onto an imaged scene. FIG. 7 depicts a side view of the illumination assembly **600**. FIGS. 8 and 9 depict a cross section of the illumination assembly **600** with the cover **610** respectively included and omitted (for further clarity). The cover includes a pocket defined by rearwardly directed walls **710**, defining a generally rectangular box. The walls removably retain a snap-fit retainer having inwardly/rearwardly tapered walls **870** (see FIG. 8) that nest within the outer pocket walls **710**. The tapered retainer walls **870** extend rearwardly to engage the front surface of a recessed window **820**. This window allows passage of light received from the illuminated scene to the lens. Notably, the window can be constructed from a variety of materials (e.g. glass, polymer, such as polycarbonate or acrylic, and the like). The material can be transparent and/or transmissive to all light, or can include fillers and/or coatings (or coverings) that have (for example) an optical filtering or diffusive effect. In this manner the light received by the lens is conditioned in a desired manner to enhance certain properties of the acquired image. In various embodiments, the window **820** can be arranged to allow certain directions of light to pass in the manner of a polarizing filter or holographic diffuser. It can also selectively filter out, or allow passage of, discrete ranges of wavelengths, such as certain visible colors or non-visible UV or IR. Desirably, the window **820** is readily exchangeable either by the manufacturer or by the user to obtain desired filtering effects. The snap-in retainer and old window is removed, and then replaced with a new window to effect a change. The window can also (or alternately) include lensmatic shapes/geometries that provide distorting (or other) optical effects when desired. As described above, any filters or shapes can either be built unitarily into the window, or they can be mated to the window as a separate component.

The rear side of the window **820** engages an O-ring that seals the window with respect to the walls **710** of the pocket and prevents ingress contaminants and moisture from the outside environment. The circuit board **650** can be held in place with respect to the cover **610** by a variety of mecha-

nisms, such as fasteners, clips or spacers that engage the front face of the housing and force the board **650** force it forwardly when the screws **622** are tightened into the holes **160** on the housing face **164**.

As shown, the rear side of the circuit board **650** includes a variety of surface-mount components that drive the LEDs provided the front ace, and also control the operation of various LEDs in the overall array so as to drive selective LED elements or groups of elements at predetermined times based upon the control of the housing's processor. This control is described further below.

As shown in FIG. 9, the front face of the housing, surrounding the recess **612** includes a translucent insert **920** that can include a diffusive surface finish. For example, the insert can comprise a polyethylene or Mylar sheet with a frosted surface finish on one or both sides. This insert sheet **920** is optional, and helps to spread and diffuse the light transmitted from the discrete LED elements in illustrative embodiments. The sheet can be optionally colored or provided with various filtering characteristics to prevent/allow passage of certain wavelengths of visible and non-visible light. Alternatively, the insert can include a polarizer that provides a polarized illumination or another specialized lighting effect. The insert can provide a variety of effects that can optionally vary with respect to differing lighting elements or banks on the overall illumination component. For example, parts of the insert can be clear while others can include a color filter. The selection of a filtering/diffusive insert is one of a number of options enabled by the use of an exchangeable illumination assembly according to various embodiments.

With reference also to the rear perspective view of FIG. 10, various drivers, control circuitry and processors **1010** are shown with respect to the rear side of the circuit board **650**. The arrangement, connectivity and functions of these electronic components is highly variable and can be implemented in accordance with ordinary skill using conventional components and/or conventional programming techniques. As shown, the circuit board **650** is secured to the cover **610** by fasteners (self-tapping screws **1030**) that seat in molded wells **840** (shown clearly in FIG. 8) formed on the inner surface of the cover **610**. The wells **840** and associated fasteners **1030** are located at two positions that are adjacent to diagonally opposed corners (indents **630**) of the cover **610**. The number and positioning of fasteners is highly variable in alternate embodiments. A pair of spacer posts (that can also be arranged to receive fasteners) is located adjacent to the other two, diagonally opposed corners of the cover **610**. The wells **840** and posts **1020** provide a standoff (i.e. a spacing) between the circuit board **650** and associated LEDs and the inner surface of the cover's front face **614**. This spacing is highly variable. In an embodiment it is between approximately 1 and 4 cm. The spacing prevents the LEDs from directly contacting the cover surface and also allows the light rays projected from each LED to spread before they reach the diffuser **920**. Note that, in addition to (or as an alternative to) the insert **920**, one or more of the LEDs/lighting elements can include an overlying lens or cover that provides a desired illumination effect (e.g. polarization, wavelength-filtering, diffusing, etc.).

Also with reference to the rear perspective view of FIG. 10, the circuit board **650** is depicted as including an enlarged central, circular aperture **1040** that provides an unobstructed passage for light from the recessed window **820** to the lens assembly on the housing. The circuit traces (not shown) on the board **650** are constructed and arranged to interconnect the various circuit components and LEDs on the opposing

faces of the board **650**. Notably, the two housing connectors **170** and **172** have been included in the view of FIG. **10**. As described above, the liquid lens control connector **170** is tied to the liquid lens element when attached. The space **1050** between the rear edge (gasket **620**) and the circuit components **1010** on the rear of the circuit board **650** of sufficient in depth, height and width to accommodate the volume of the liquid lens assembly and/or M12 lens assembly, or any other lens assembly contemplated herein, which projects forwardly from the housing face **164**. The opposing illumination assembly connector **172** defines a ten-pin socket in an illustrative embodiment. This socket includes associated female receptacles **450** (See FIG. **4**). Five of these receptacles are constructed and arranged to removably receive one of five elongated male pins **1060** (also shown in phantom is FIGS. **8** and **9**) that project rearwardly from a connector base **1062** on the rear of the circuit board **650**. The pins **1060** variously provide power and control signals (e.g. digital control data) to the electronic components of the circuit board **650**. In an illustrative embodiment, at least two pins provide power and the remaining pins provide data/control. The number of pins **1060** (and associated female socket receptacles) and their arrangement are highly variable. In alternate embodiments, less than five pins can be employed, with the used pins being aligned with associated receptacles on the socket. In other words, four pins can be connected to four of the five socket receptacles. Likewise, where additional connections are desired, more than five pins can be employed, interconnecting with associated receptacles in the socket **172**. In further alternate embodiments a different connector arrangement, such as a DIN connector, can be employed to removably interconnect the illumination assembly and housing.

The length LP (See FIG. **8**) of the pins **1060** that projects rearwardly beyond the rear edge (gasket **620**) of the cover **610** is highly variable. In general, the length LP can vary and is arranged to allow the pins to fully seat into respective socket receptacles when the illumination assembly is secured to the housing face **164** by screws **622**. In alternate embodiments, the socket **172** can project outwardly (forwardly) from the housing face **164**, and the pins (or other connectors) can be recessed within the space **1050** of the cover's rear enclosure area. Also, while the illumination assembly contains the male connector elements and the housing **100** contains the female connector elements, it is expressly contemplated that the male elements can be contained on the housing and the female elements can be contained on the illumination assembly, or each component can contain a combination of male and female elements. Likewise, some or all of the connections can be implemented as a gender-less connectors in an alternate embodiment.

Reference is now made to FIG. **11**, which shows a front view of the housing with the illumination assembly **600** and associated cover **610** attached thereto. In this embodiment, the assembly **600** contains four outside lines or "banks" **1120**, **1122**, **1124** and **1126** of six LEDs **652** arranged, respectively at the top, right, bottom and left (i.e. North, East, South and West) quadrants of the assembly's front view. The number of LEDs in each bank is highly variable, and a larger or smaller number of LEDs can be provided to some or all of the banks. Likewise, the number and positioning of banks on the circuit board is highly variable. While the LEDs of each bank **1120**, **1122**, **1124**, **1126** are arranged in an approximate line, in alternate embodiments the banks of LED can be arranged in a non-linear orientation (e.g. an arcuate shape).

A second set of inside banks **1140**, **1142**, **1144** and **1146** of LEDs **652** are arranged adjacent to and inwardly from each of the outside banks **1120**, **1122**, **1124** and **1126**, respectively. The LEDs in the inside banks are provided as a line of three spaced-apart elements. In alternate embodiments, the arrangement can be non-linear and more or fewer LEDs can be provided in each bank. Likewise, the number of inside banks and their placement on the board **650** is highly variable—for example, inside banks on the top and bottom or left and right can be omitted. The outside banks can contain LEDs having a certain discrete color or wavelength (e.g. visible, IR or UV that differs from that of the inside bank). Alternatively, the outside and inside banks can respectively contain similar LED types and the used alternately, or together, when more or less light intensity is desired. In other words, when a more intense illumination is desired, both sets of banks are used at once. In addition, the banks can be used in increments while an image is being acquired. That is the outside banks are illuminated first followed by the inside banks so that the image of the scene is acquired with two different forms of illumination. Illustratively, the processing components within the illumination assembly **600** receive data and control signals via the connection with the housing (pins **1061** and socket **722**) that are provided by the vision system's (housing's) on-board processor and/or a remote processor connected thereto. The system processor includes program instructions that generate illumination commands for the assembly **600**. Based upon the vision system program and/or feedback from the acquired image, the system processor can direct illumination of different banks of LEDs (or other lighting elements). This can be to provide differing angles of illumination to the imaged object surface (e.g. high or low-angle illumination), or to provide differing wavelengths or intensities. The illumination assembly's control circuitry illustratively receives discrete strobe signals that enable or disable selected banks and/or discrete LEDs in banks. In this manner, the system operates only banks that are enabled. This can also allow for a timed sequence of different illumination patterns that coincides with acquisition of one or more images under differing illumination effects. For example, the system can instruct that only the left and right outside banks are illuminated for T1 milliseconds, and then that all inside banks are illuminated for T2 milliseconds. During these illumination intervals (T1, T2) one or more images of the scene are thereby acquired by the system.

The illumination assembly also includes two aiming lighting elements that can illustratively comprise laser diodes. Alternatively, focused LEDs **1150** or another light source capable of a projecting an aiming point at the appropriate scanning distance can be used as aiming lighting elements. These aiming points provide a projected point in a discrete color (e.g. red) that assists the user in directing the lens axis toward the features to be acquired (e.g. a barcode) prior to actual image acquisition.

Notably, the degree to which the banks and/or discrete LEDs within banks are independently addressable by the vision system and illumination assembly's processing circuitry is highly variable. As described further below, the exchangeable illumination assembly **600** of this embodiment advantageously allows for different types of LEDs, arrangement of banks and addressing patterns for discrete LEDs in banks to be provided. The user obtains the illumination assembly that best suits its needs. More generally, the use of varying illumination patterns during image acquisition is described by way of example in commonly assigned, published US Patent Application Number US 2009-0121027

A1, entitled SYSTEM AND METHOD FOR READING PATTERNS USING MULTIPLE IMAGE FRAMES, by Sateesha Nadabar, the teachings of which are incorporated herein by reference as useful background information.

As described above, the illumination assembly advantageously allows the user to select an illumination configuration that is best suited to its needs without changing out the entire vision system. This also advantageously allows the manufacturer to retain stocks of various illumination assemblies (in differing configurations), which all interoperate with a single housing unit. This reduces inventory costs as housings can be sold without regard to their illumination configuration (or lack thereof). Where illumination is permanently attached to a housing, the manufacturer typically maintains a stock of several different types of units. Some of these units can reside on the shelf for years if they are not a popular configuration, but must be maintained in the event a particular customer desires that specific configuration. By providing a separate, exchangeable illumination assembly, expensive vision system housings can be sold without regard to illumination and the (relatively) lower cost illumination assemblies can be kept in inventory. Moreover, the use of an exchangeable illumination assembly according to the illustrative embodiment allows for easier customization of the illumination configuration without the need to customize the entire vision system. Such customization can entail the use of an LED (or other light component) arrangement that is specifically adapted to the user's needs. Alternatively, the manufacturer can stock a plurality of different assemblies, each having a differing, commonly used illumination configuration.

For example, with reference to FIG. 12, the illumination assembly 1200 is based on the circuit board 650, cover 610 (omitted for clarity in this view) gasket 620, and other common components of the above-described illumination assembly (i.e. like reference numbers in this view refer to like components as those shown in FIG. 6). The assembly 1200 has been modified to omit the inside banks (1140, 1142, 1144, 1146) as the user does not require these banks to achieve its imaging goals. The exemplary assembly 1200 can potentially be less costly and less-complex for that user than the fully featured assembly 600 described above. The vision system processor and/or the processing circuitry of the assembly 1200 can be configured so that the omission of the inside banks is recognized and any functions that employ these banks are disabled. This configuration and recognition can be accomplished using conventional hardware and software techniques.

A further example of an illumination assembly 1300 for use in the vision system of the illustrative embodiment is shown in FIG. 13. In this example, the inner banks 1140, 1142, 1144, 1146 are omitted as well as the aiming LEDs 1150. The outside banks 1320, 1322, 1324 and 1326 have been modified with respect to the above-described example to omit the opposing end LEDs, thus creating four banks each having four LEDs 652. This configuration provides a reduced illumination intensity for certain applications relative to the above-described assemblies 600, 1200. In alternate examples, the LEDs in each bank m1336 can be spread apart.

The examples provided above are illustrative of a wide range of illumination configurations for the exchangeable illumination assembly contemplated herein. Advantageously, the vision system of the illustrative embodiment allows one housing to accommodate a large multiplicity of illumination assembly configurations. These configurations can include a wide range of variations in the placement of

LEDs and the arrangement of banks. Likewise, the addressability of discrete LEDs (or other illumination elements) is widely variable based upon the structure (e.g. drivers and circuit traces) of the circuit board and the programming of the system processor and assembly's processing circuitry. Likewise, the illustrative housing allows such widely variable illumination assemblies to be removably mated to the housing that can mount a plurality of different lens types and/or optical properties. The resulting vision system is highly versatile while reducing both the manufacturer's and user's costs, and allowing for post-purchase upgrade and modification of lenses and illumination (e.g. to re-task the system to a different role) without the need to obtain an entirely new vision system.

The foregoing has been a detailed description of illustrative embodiments of the invention. Various modifications and additions can be made without departing from the spirit and scope of this invention. Each of the various embodiments described above may be combined with other described embodiments in order to provide multiple features. Furthermore, while the foregoing describes a number of separate embodiments of the apparatus and method of the present invention, what has been described herein is merely illustrative of the application of the principles of the present invention. For example, while a solid, fixed connector arrangement is provided between the illumination assembly and the housing, it is expressly contemplated that a cable can interconnect the illumination assembly and housing. The cable can be removably connected to either (or both) the housing and the illumination assembly. In addition, while the illumination elements described herein are generally LEDs, it is expressly contemplated that other types of illumination can be substituted for, or used in addition to, the depicted LEDs. For example, gas discharge elements, incandescent bulbs, fluorescent bulbs, and the like can be used. Also, while the term circuit board is used to describe generally an illumination component within the overall illumination assembly, it is expressly contemplated that another structure can be employed to mount LEDs or other lighting elements (e.g. a socket structure), and that some or all of the driving and/or other processing circuitry can be located on this structure or at another location within the assembly. Moreover, it is contemplated that any of the electronic control, data and other functions provided herein can be performed using electronic hardware, software consisting of a non-transitory computer-readable medium of program instructions, or a combination of hardware and software. Some or all of the image processing components can be located remote from the housing enclosure, with the housing containing the above-described illumination assembly, optics and sensor, and being interconnected with processing components by appropriate physical (e.g. wired) or wireless links. Accordingly, this description is meant to be taken only by way of example, and not to otherwise limit the scope of this invention.

What is claimed is:

1. An illumination assembly for a vision system having a housing that encloses optics and a sensor receiving light from an imaged scene at the optics comprising:

a cover having a light-transmissive face that defines a forward-facing exterior surface of the cover, the cover having therein an illumination component having a plurality of lighting elements, the cover defining a window through which light passes into the optics from the imaged scene and the lighting elements arranged to direct light through the light-transmissive face at locations around the window onto the imaged scene,

## 15

- wherein the cover comprises a plurality of light-transmissive sidewalls, the light-transmissive sidewalls defining a multi-sided polygonal shape, the cover being configured to receive a removable wall structure that bounds the window and directs light from the imaged scene into the optics;
- a fastening assembly that removably secures at least two corners of the cover to the housing; and
- a connector assembly that interconnects processing circuitry that controls the lighting elements to circuitry in the housing so that control signals and power from the housing are transmitted to the illumination assembly.
2. The illumination assembly as set forth in claim 1 wherein the fastening assembly comprises fasteners that are located at each of four corners on the cover at locations remote from edges of the illumination component.
3. The illumination assembly as set forth in claim 2 wherein the fasteners comprise screws that engage threaded holes in the housing.
4. The illumination assembly as set forth in claim 2 wherein the illumination component comprises a circuit board, and wherein the lighting elements comprise a plurality of LEDs.
5. The illumination assembly as set forth in claim 4 wherein the circuit board is located at a spaced-apart relationship with respect to a front face of the housing.
6. The illumination assembly as set forth in claim 5 wherein the illumination component includes processing circuitry constructed and arranged to operate at least some of the LEDs at selected times to generate a desired illumination effect.
7. The illumination assembly as set forth in claim 6 wherein at least one of the LEDs project light in a different wavelength than others of the LEDs.

## 16

8. The illumination assembly as set forth in claim 1 wherein the window comprises a light-transmissive member engaged with respect to the cover.
9. The illumination assembly as set forth in claim 1 wherein the wall structure comprises a tapered wall structure.
10. The illumination assembly as set forth in claim 1 wherein the connector assembly includes a plurality of pins that extend rearwardly from the illumination component, and being constructed and arranged to removably seat with receptacles of a socket located on the housing.
11. The illumination assembly as set forth in claim 1 wherein the illumination component includes an aiming lighting element assembly proximate to the window.
12. The illumination assembly as set forth in claim 1 wherein the housing is constructed and arranged to removably mount lenses defining a plurality of differing types, and the illumination component is located so as to provide clearance for each of the lenses when mounted thereon.
13. The illumination assembly as set forth in claim 12 wherein the at least one of the lenses is adapted to vary focus thereof.
14. The illumination assembly as set forth in claim 12 wherein the at least one of the lenses comprises a liquid lens having a liquid lens component located on a front face of the housing and being electrically interconnected to a connector located with respect to the housing.
15. The illumination assembly as set forth in claim 1 further comprising an insert located between the light transmissive face of the cover and the lighting elements, the insert conditioning light as it passes therethrough.

\* \* \* \* \*