



(12) **United States Design Patent**
Gisler

(10) **Patent No.:** **US D1,021,092 S**
(45) **Date of Patent:** **** Apr. 2, 2024**

- (54) **SURGICAL SAW BLADE**
- (71) Applicant: **DePuy Synthes Products, Inc.**,
Raynham, MA (US)
- (72) Inventor: **Stefan Gisler**, Oberdorf (CH)
- (73) Assignee: **DEPUY SYNTHES PRODUCTS, INC.**,
Raynham, MA (US)
- (**) Term: **15 Years**

7,704,254	B2	4/2010	Walen	
D627,464	S *	11/2010	Nelson	D24/146
8,100,912	B2	1/2012	Marietta	
8,216,262	B2	7/2012	O'Donoghue	
8,444,647	B2	5/2013	Walen et al.	
8,696,673	B2	4/2014	Walen et al.	
9,060,783	B2	6/2015	Walen et al.	
D742,002	S *	10/2015	Fisher	D24/146
9,192,390	B2	11/2015	DelRio	
9,820,753	B2	11/2017	Walen	

(Continued)

- (21) Appl. No.: **29/865,419**
- (22) Filed: **Jul. 25, 2022**

Related U.S. Application Data

- (63) Continuation of application No. 16/657,524, filed on Oct. 18, 2019, now Pat. No. 11,490,898.
- (51) **LOC (14) Cl.** **24-02**
- (52) **U.S. Cl.**
USPC **D24/146**
- (58) **Field of Classification Search**
USPC D24/127, 130, 133, 146, 147; D8/20, 66, D8/70, 95, 96, 97, 98, 99, 100, 101
CPC A61B 17/142; A61B 17/144; A61B 17/14; A61B 17/149; A61B 17/157; B23D 61/006; B23D 49/10; B27B 19/006
See application file for complete search history.

References Cited

U.S. PATENT DOCUMENTS

5,122,142	A	6/1992	Pascaloff	
D337,160	S	7/1993	Evans	
5,263,972	A	11/1993	Evans	
6,113,618	A	9/2000	Nic	
D459,805	S *	7/2002	Pascaloff	D24/146
6,656,186	B2	12/2003	Meckel	
D489,823	S *	5/2004	Fisher	D24/146
D492,412	S	6/2004	Desoutter	
D525,707	S *	7/2006	Kullmer	D24/146

FOREIGN PATENT DOCUMENTS

EP	3769701	A2	1/2021
WO	2007045993	A2	4/2007

Primary Examiner — Samantha Q Lawrence
(74) *Attorney, Agent, or Firm* — Kramer & Amado, P.C.

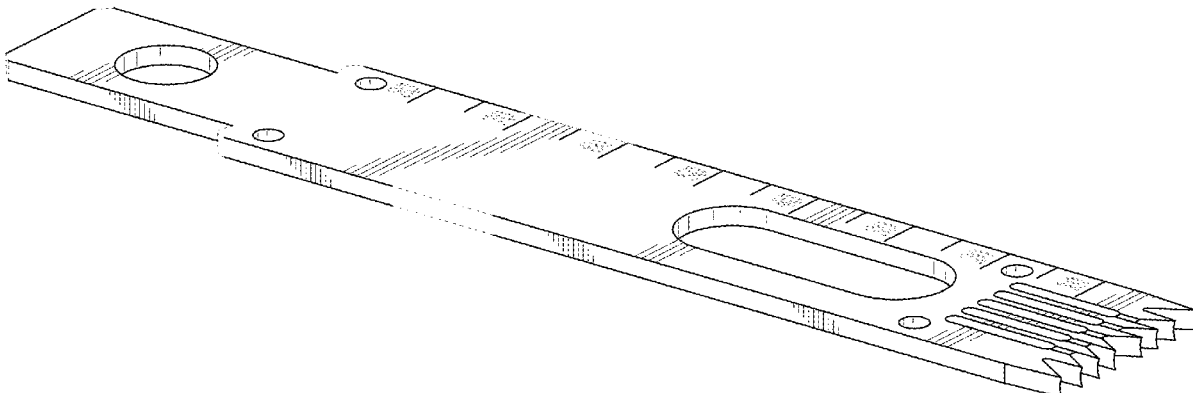
(57) **CLAIM**

The ornamental design for a surgical saw blade, as shown and described.

DESCRIPTION

FIG. 1 is a top, front, and left perspective view of a surgical saw blade in accordance with my new design;
 FIG. 2 is a top plan view of the embodiment of FIG. 1;
 FIG. 3 is a bottom plan view of the embodiment of FIG. 1;
 FIG. 4 is a front end elevational view of the embodiment of FIG. 1;
 FIG. 5 is a rear end elevational view of the embodiment of FIG. 1;
 FIG. 6 is a left side elevational view of the embodiment of FIG. 1; and,
 FIG. 7 is a right side elevational view of the embodiment of FIG. 1.
 The broken lines shown in FIGS. 1-7 illustrate portions of the surgical saw blade that form no part of the claimed design.

1 Claim, 3 Drawing Sheets



(56)

References Cited

U.S. PATENT DOCUMENTS

10,342,553	B2	7/2019	Gilhooley	
D882,789	S *	4/2020	Qun	D24/146
D939,697	S *	12/2021	Servedio	D24/133
D940,320	S *	1/2022	Schaz	D24/146
D989,309	S *	6/2023	Levy	D24/146
D996,166	S *	8/2023	Kazda	D8/20
2002/0104421	A1	8/2002	Wurst	
2004/0199167	A1	10/2004	Fletcher	
2005/0245935	A1	11/2005	Casey	
2006/0206100	A1	9/2006	Eskridge	
2007/0123893	A1	5/2007	O'Donoghue	
2008/0269755	A1	10/2008	Malackowski	
2009/0093815	A1	4/2009	Fletcher	
2010/0262148	A1	10/2010	O'Donoghue	
2010/0292701	A1	11/2010	Fisher	
2016/0081697	A1	3/2016	Carusillo	
2018/0064447	A1	3/2018	Koljaka	
2019/0231364	A1	8/2019	Walen et al.	
2019/0298404	A1	10/2019	Stritch	
2020/0138451	A1	5/2020	Ferro	
2023/0190327	A1 *	6/2023	Lark	A61B 17/320068 606/167
2023/0263534	A1 *	8/2023	Kowall	A61B 17/142 606/176

* cited by examiner

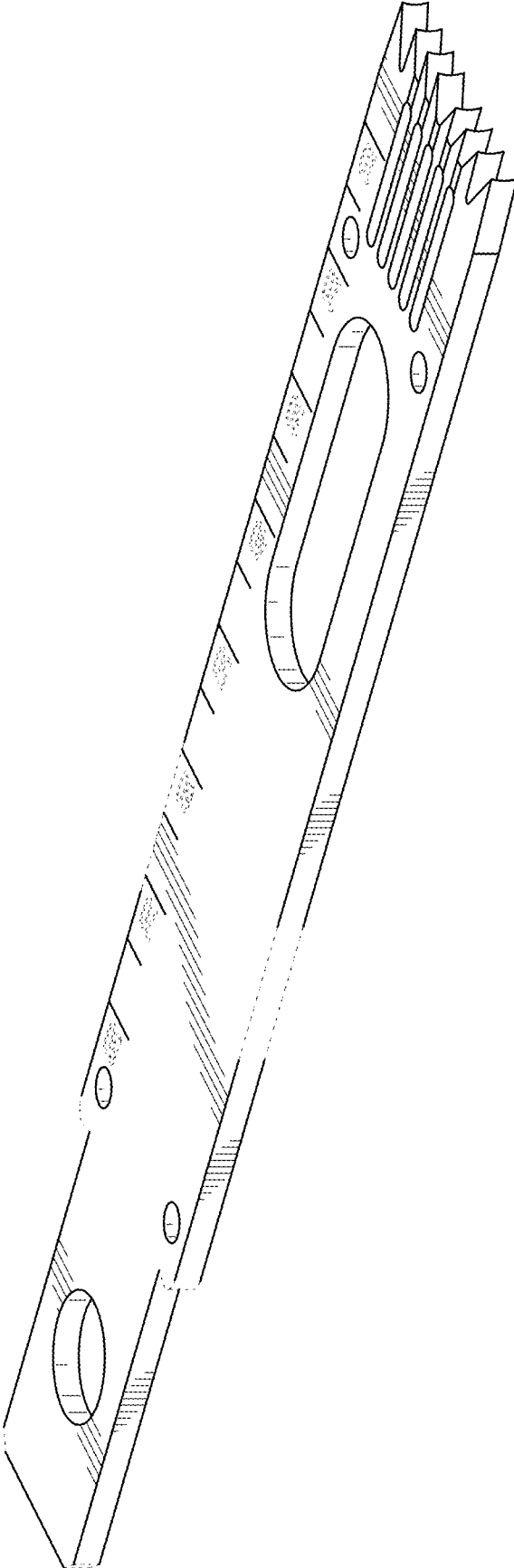


FIG. 1

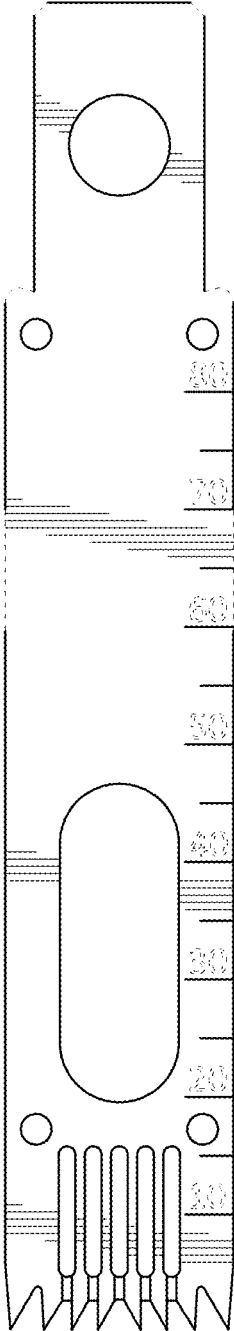


FIG. 2

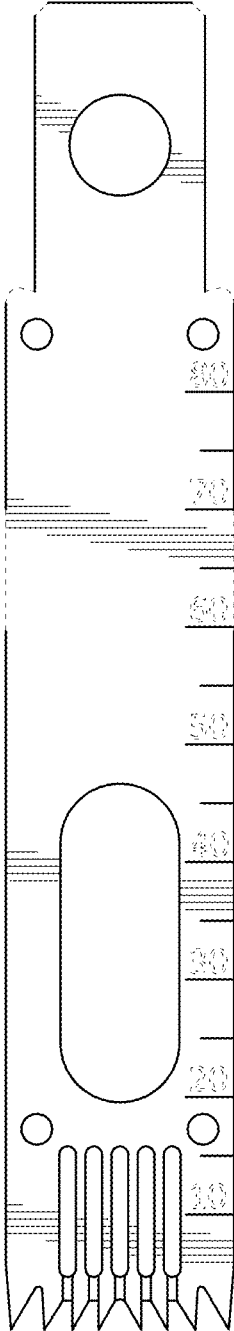


FIG. 3

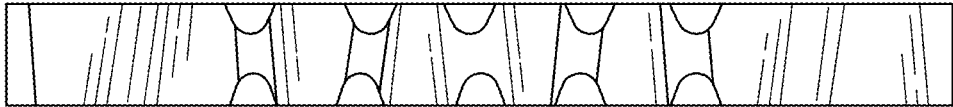


FIG. 4



FIG. 5

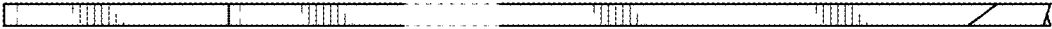


FIG. 6



FIG. 7