



US 20200154637A1

(19) **United States**

(12) **Patent Application Publication**

Doughty

(10) **Pub. No.: US 2020/0154637 A1**

(43) **Pub. Date: May 21, 2020**

(54) **BLADE ASSEMBLY FOR A GRASS CUTTING MOBILE ROBOT**

A01D 34/78 (2006.01)

A01D 34/74 (2006.01)

(71) Applicant: **iRobot Corporation**, Bedford, MA (US)

(52) **U.S. Cl.**
CPC *A01D 34/733* (2013.01); *A01D 34/008* (2013.01); *A01D 34/661* (2013.01); *A01D 34/74* (2013.01); *A01D 34/78* (2013.01)

(72) Inventor: **Brian W. Doughty**, Framingham, MA (US)

(21) Appl. No.: **16/631,109**

(57) **ABSTRACT**

(22) PCT Filed: **Jun. 28, 2018**

(86) PCT No.: **PCT/US2018/040049**

§ 371 (c)(1),
(2) Date: **Jan. 14, 2020**

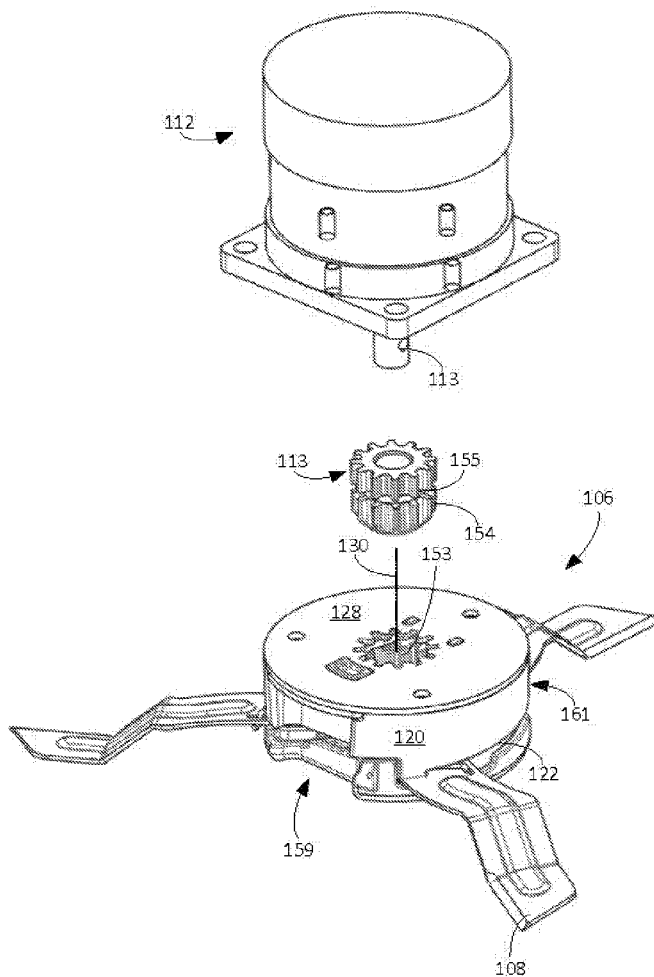
Related U.S. Application Data

(60) Provisional application No. 62/532,939, filed on Jul. 14, 2017.

Publication Classification

(51) **Int. Cl.**
A01D 34/73 (2006.01)
A01D 34/00 (2006.01)

A grass cutting mobile robot includes a body and a blade assembly connected to the body and rotatable about a drive axis. The blade assembly includes blades, a housing to hold the blades, a coupling latch configured to lock the housing to a drive shaft of the mobile robot, and a spring that connects the blade to the coupling latch. The housing is configured for coupling to an actuator so that the housing is rotatable about a drive axis, and receives a shaft that connects the housing to the actuator. The shaft includes a groove or an undercut therein. The coupling latch is rotatable within the housing to move an engagement end towards, or away from the groove or undercut. The engagement end is positionable within the groove to lock the housing to the actuator.



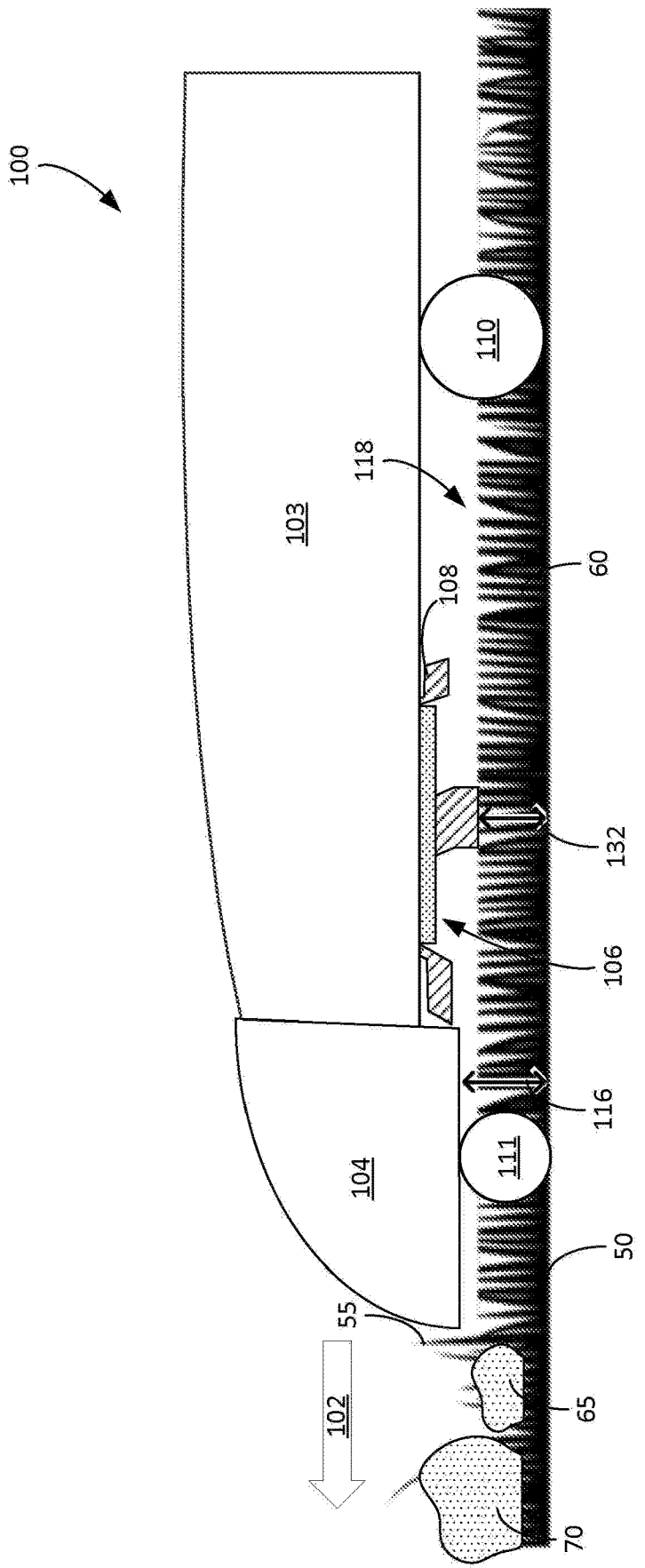


FIG. 1

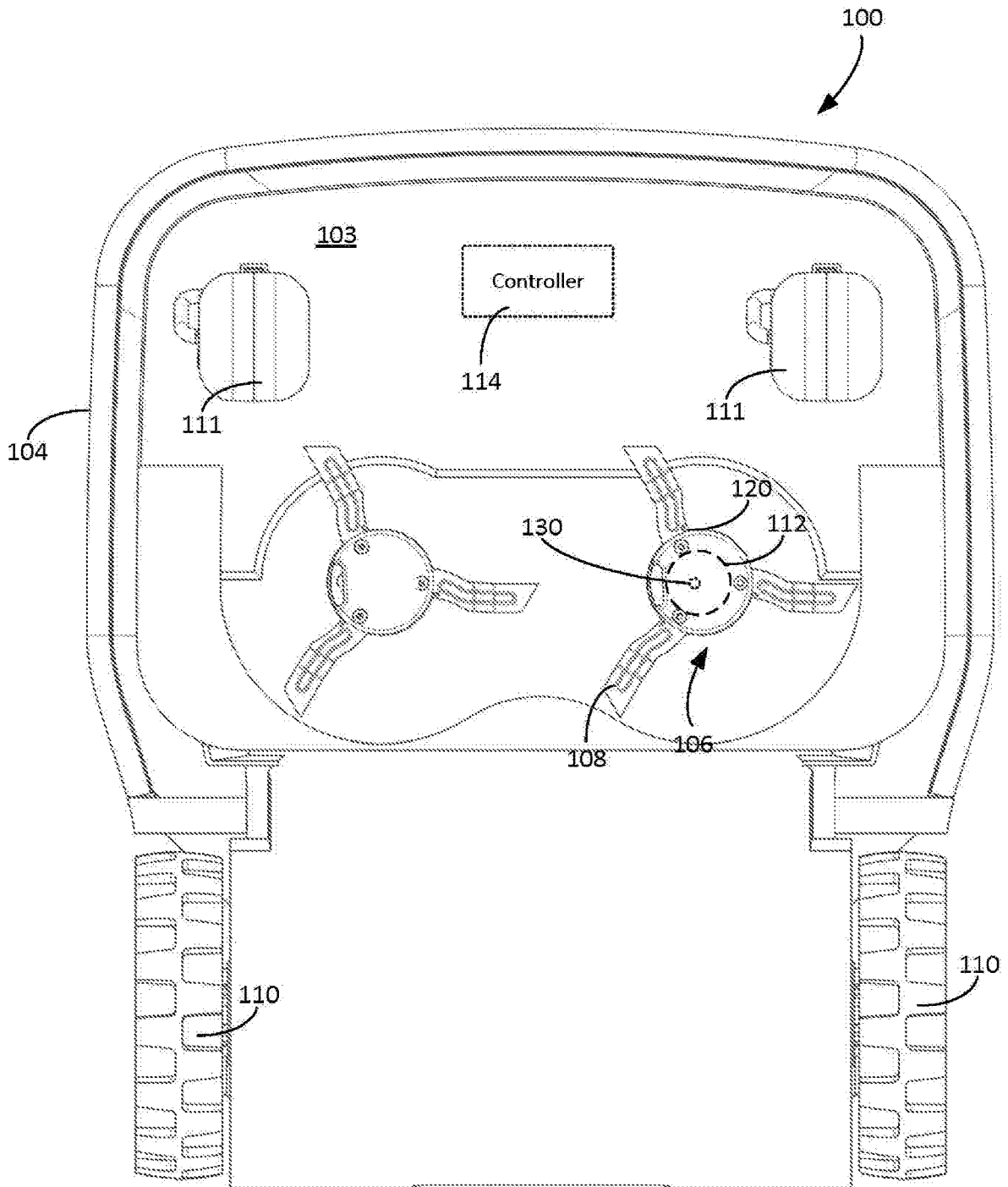


FIG. 2

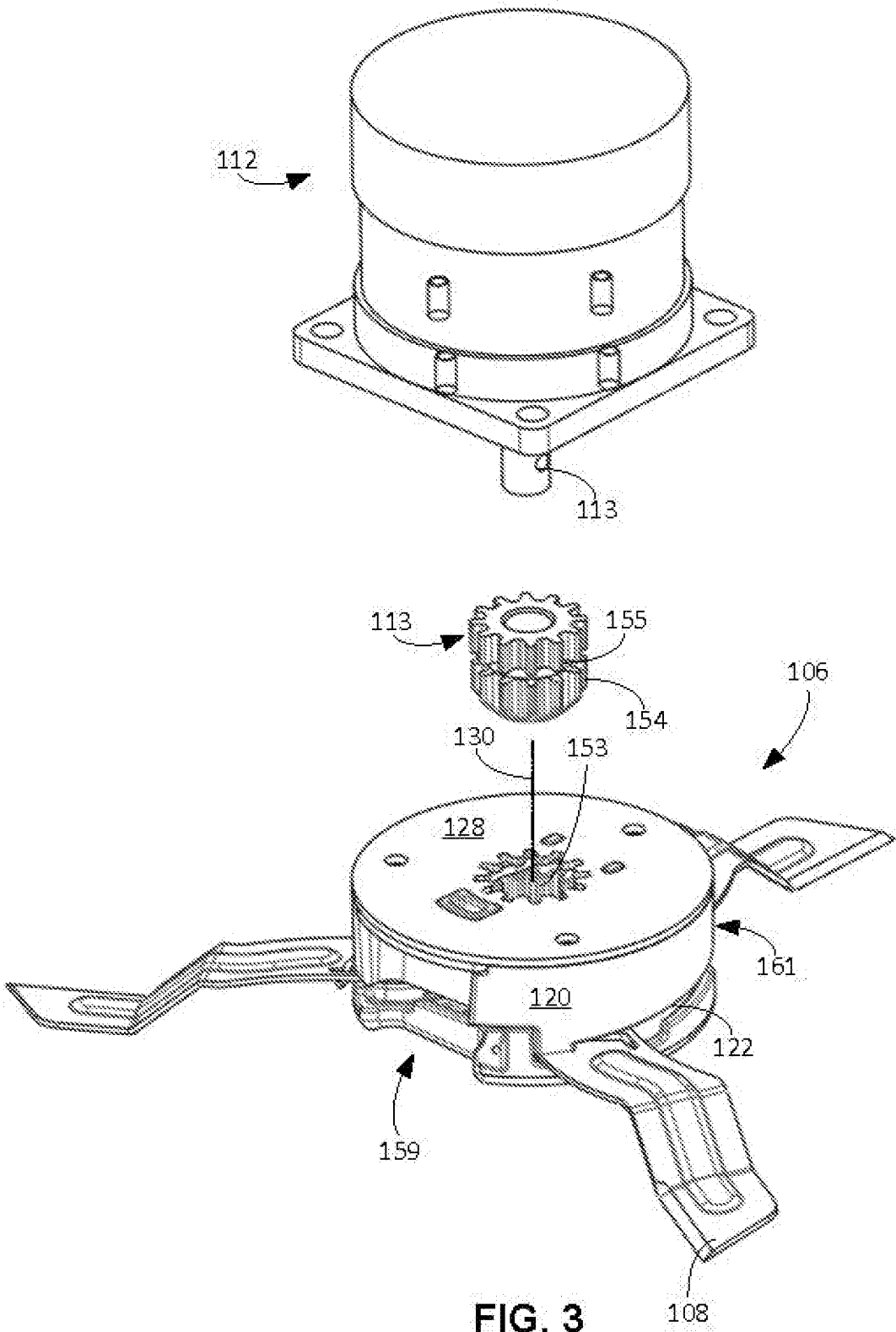
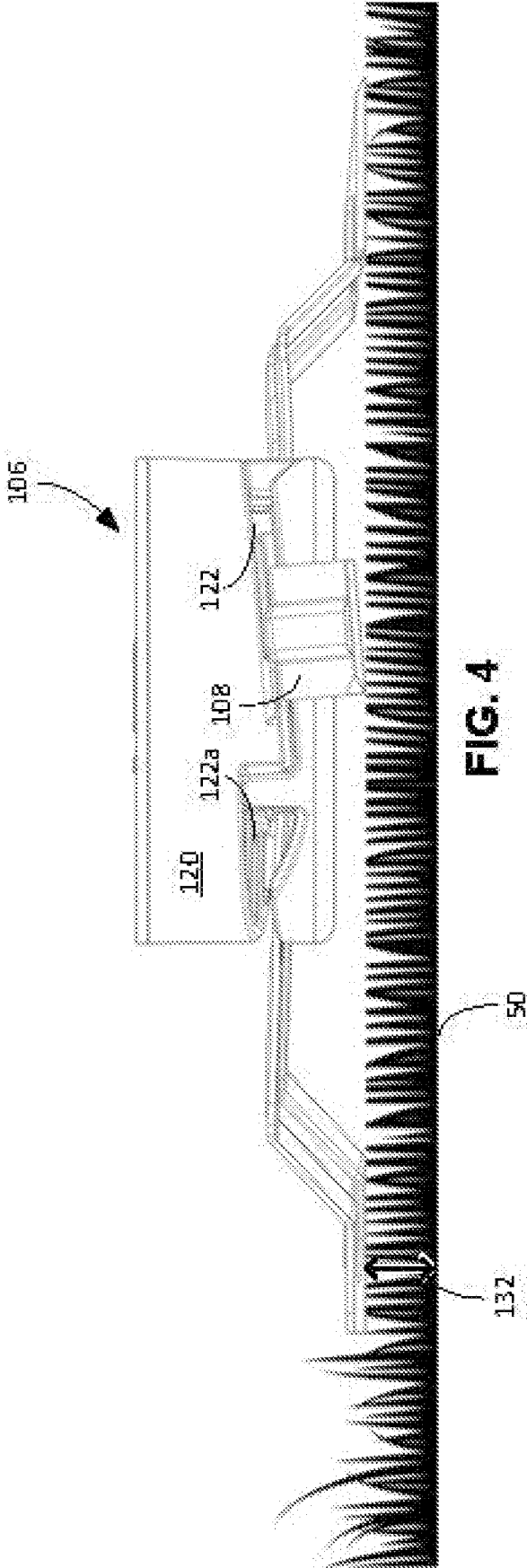


FIG. 3



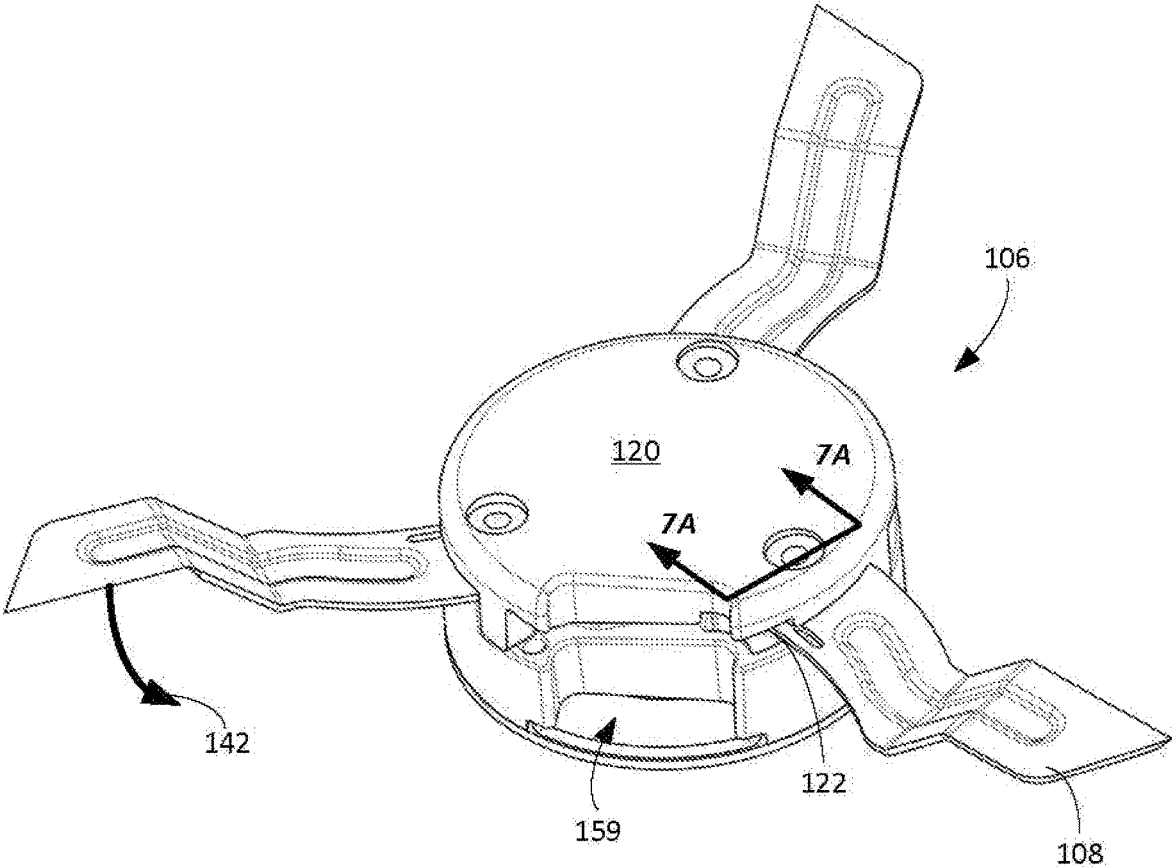


FIG. 5

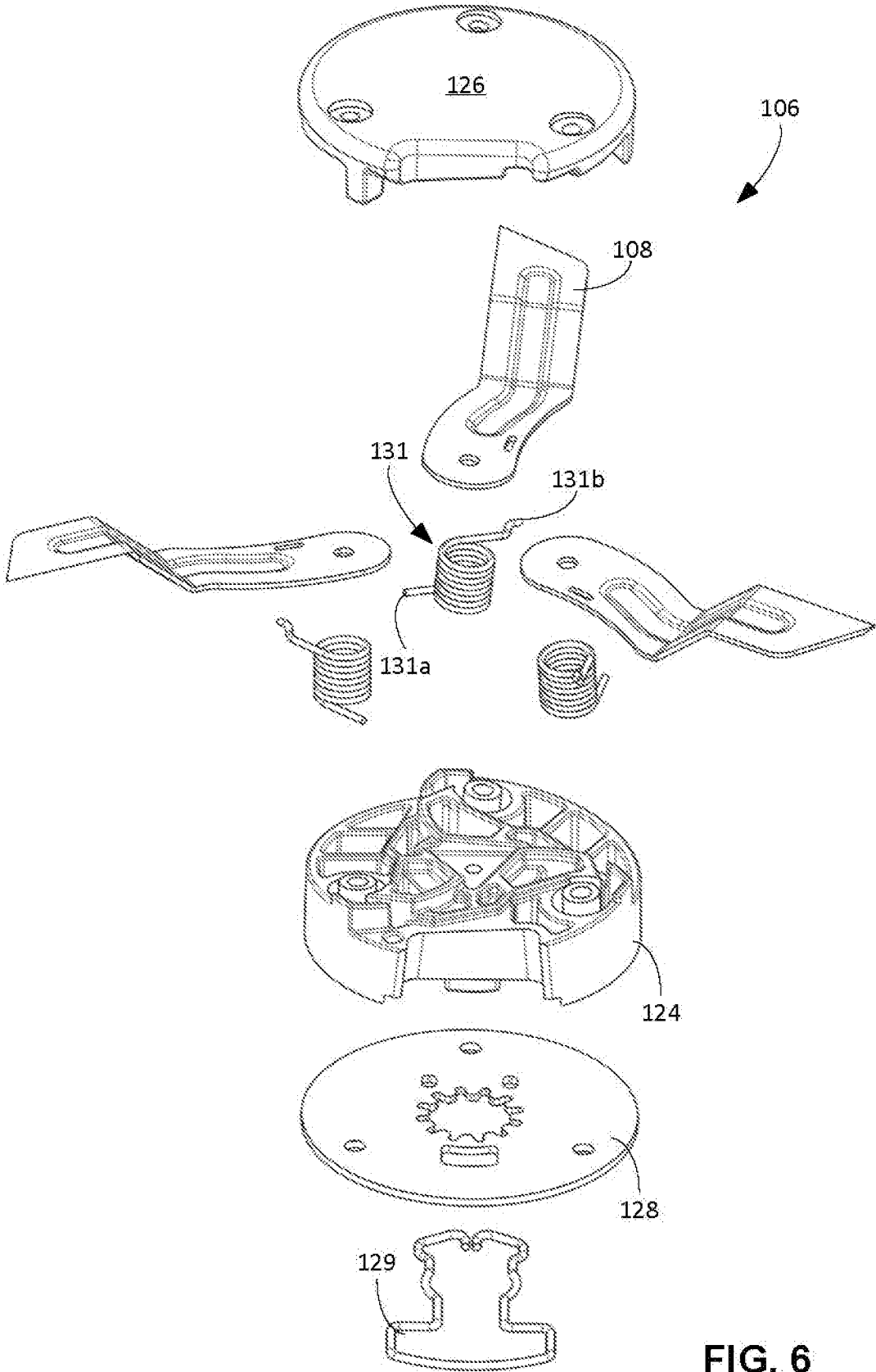


FIG. 6

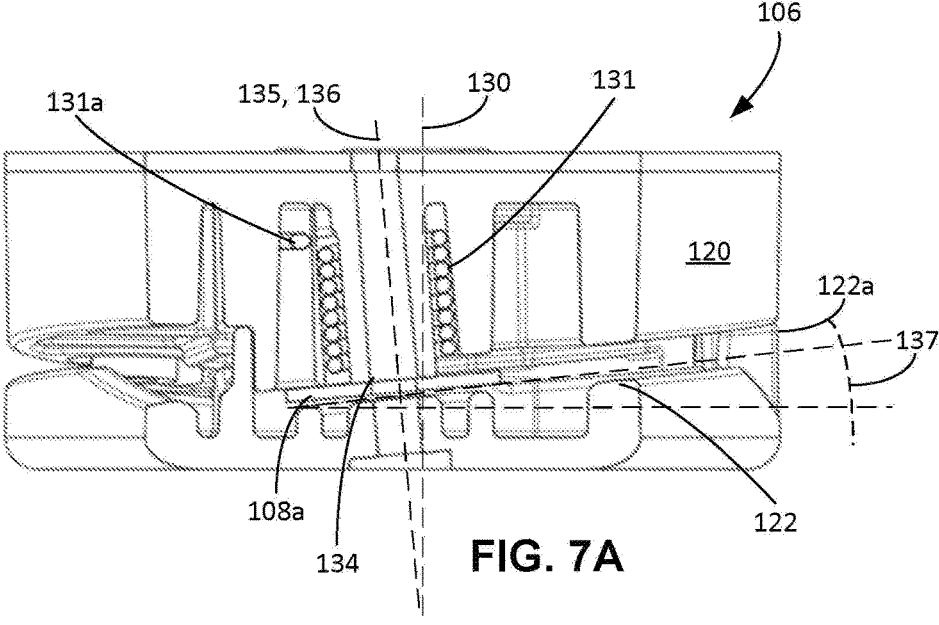


FIG. 7A

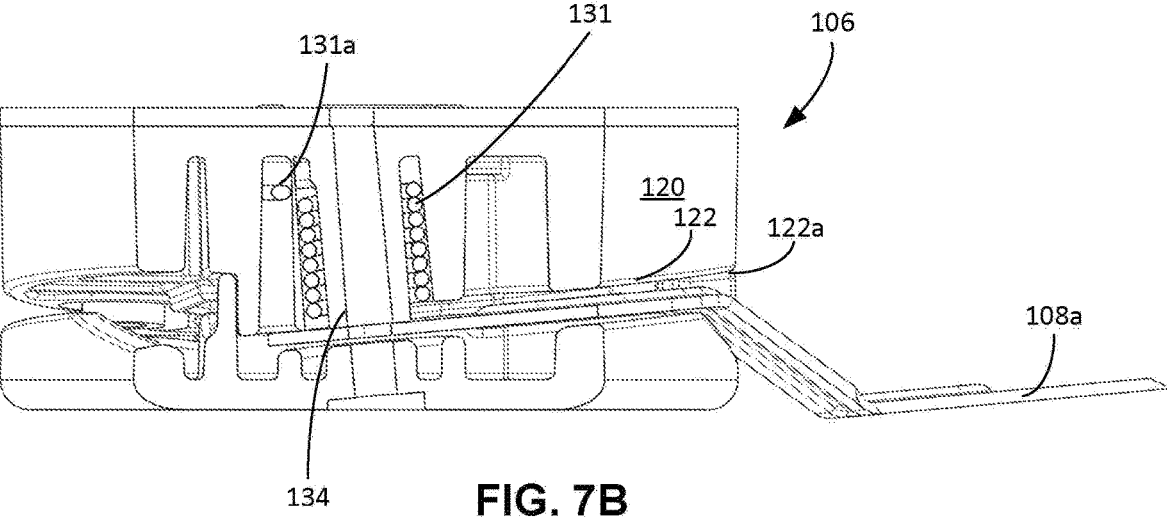
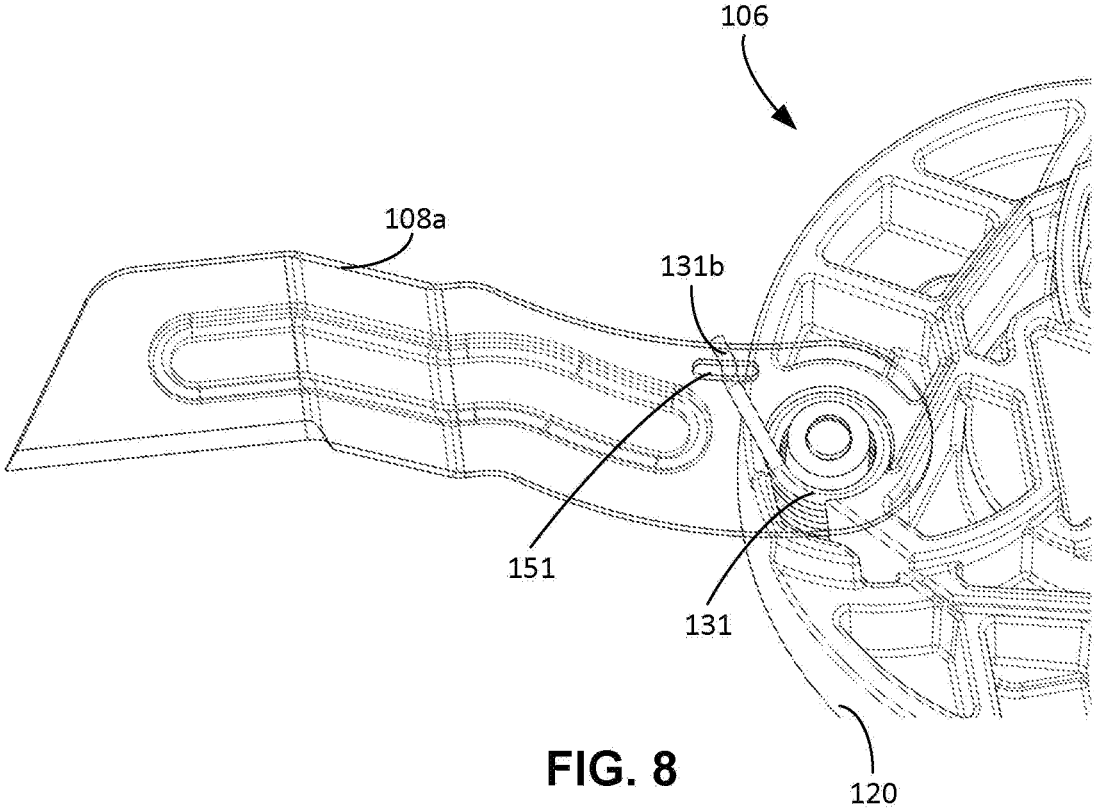


FIG. 7B



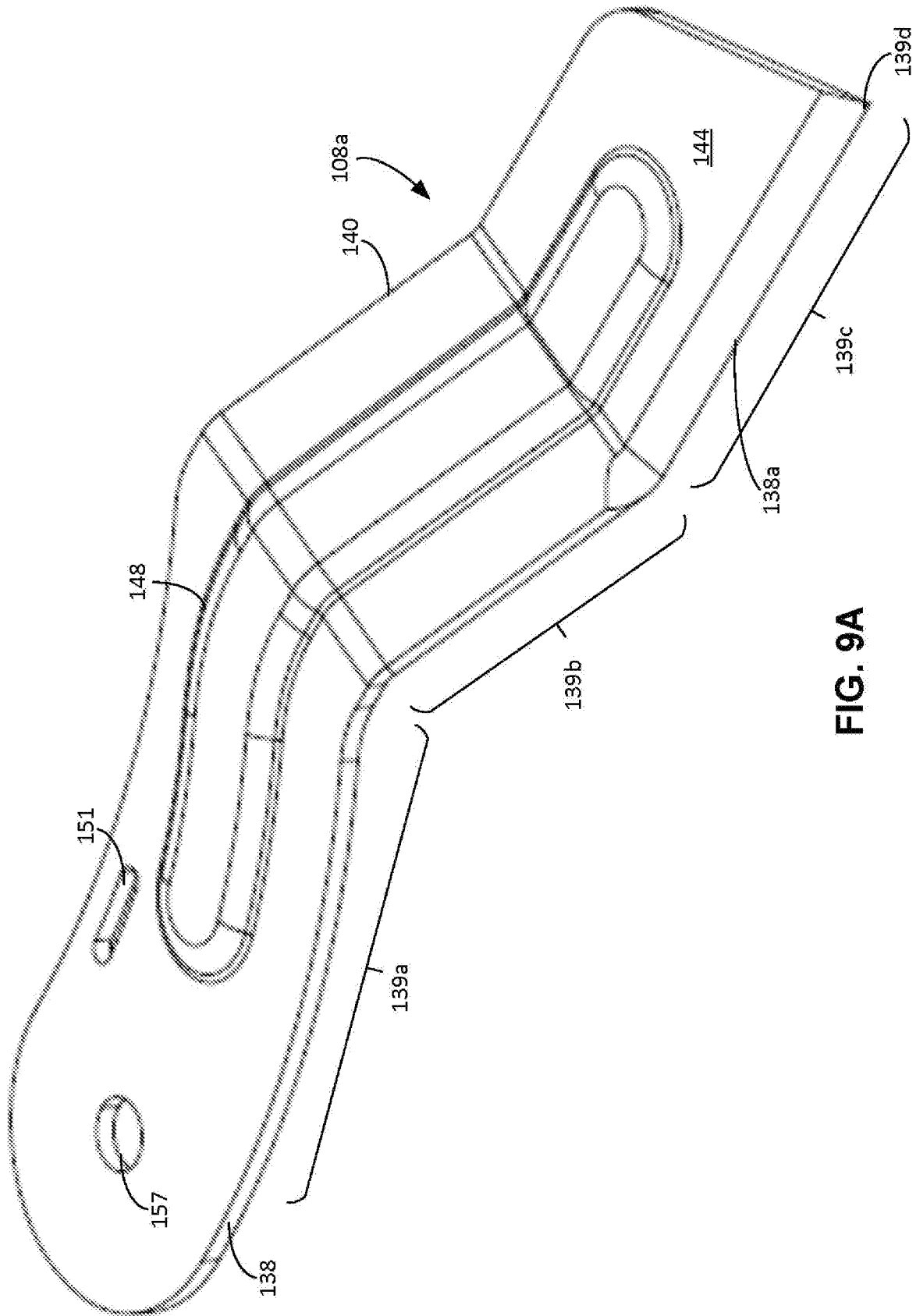


FIG. 9A

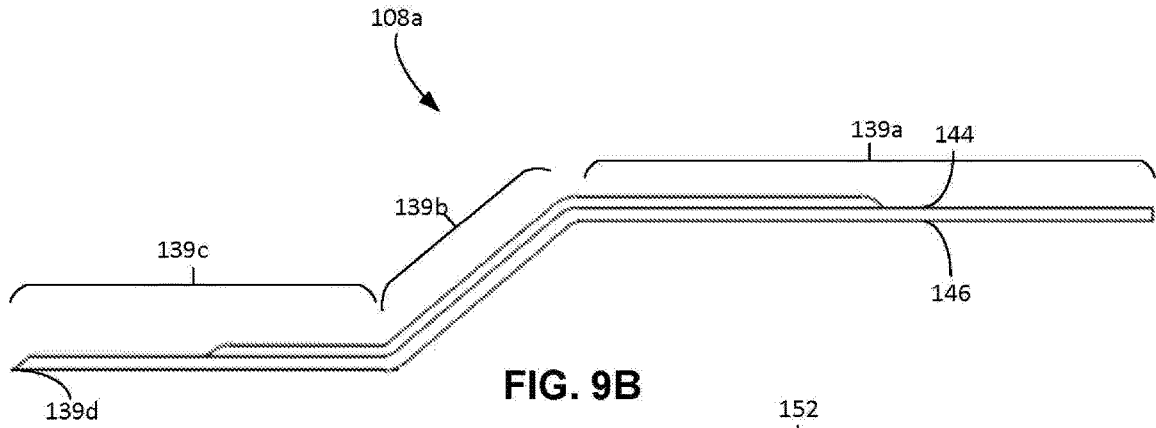


FIG. 9B

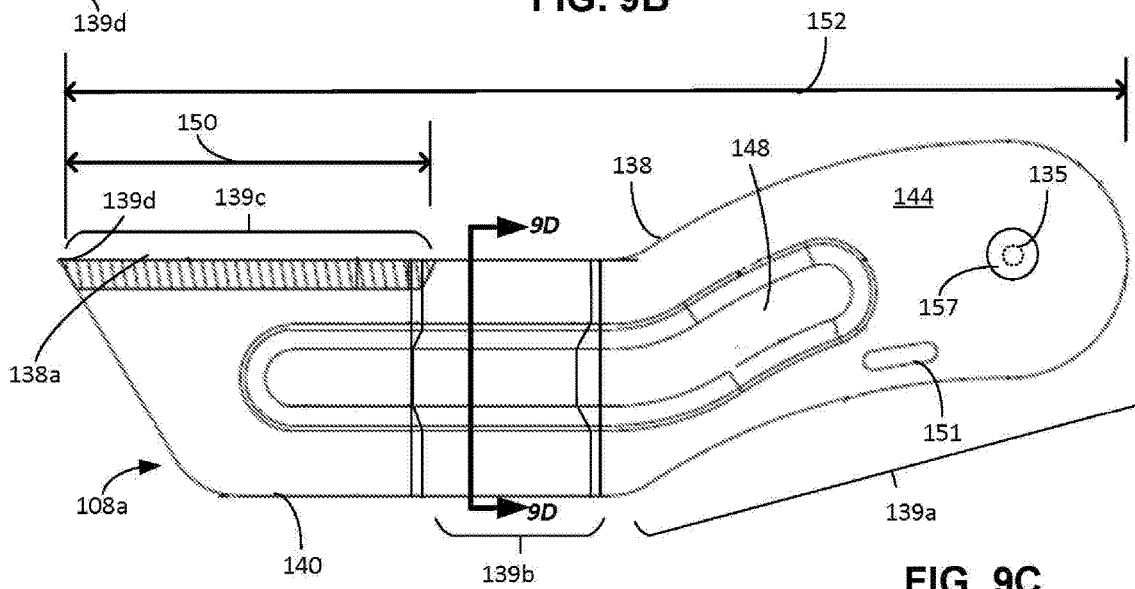


FIG. 9C

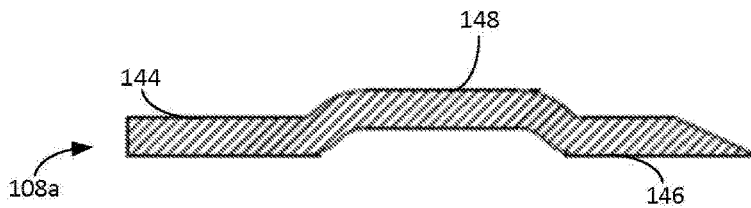


FIG. 9D

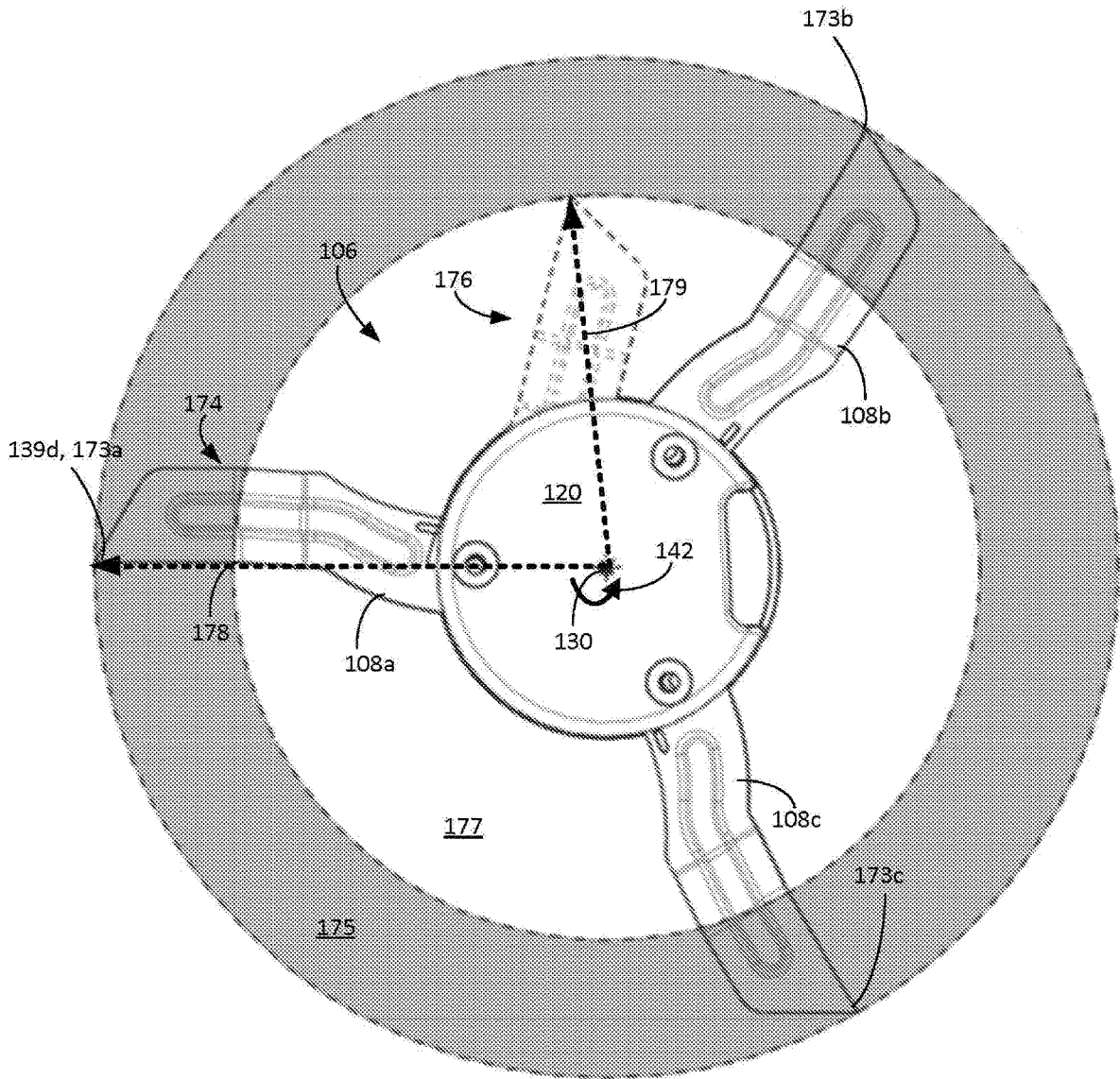


FIG. 10

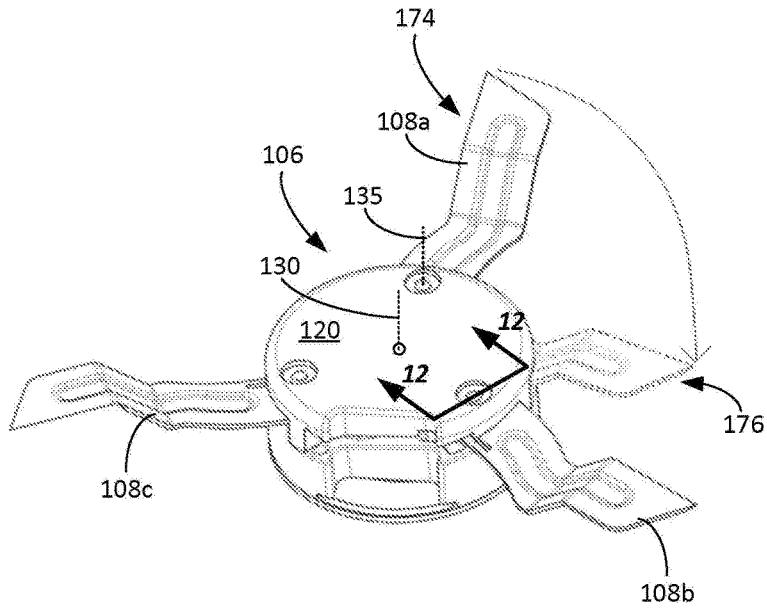


FIG. 11

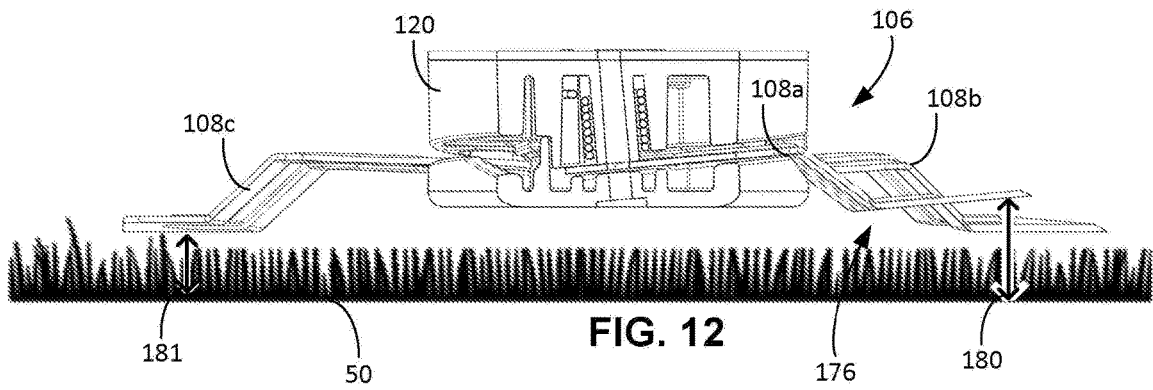


FIG. 12

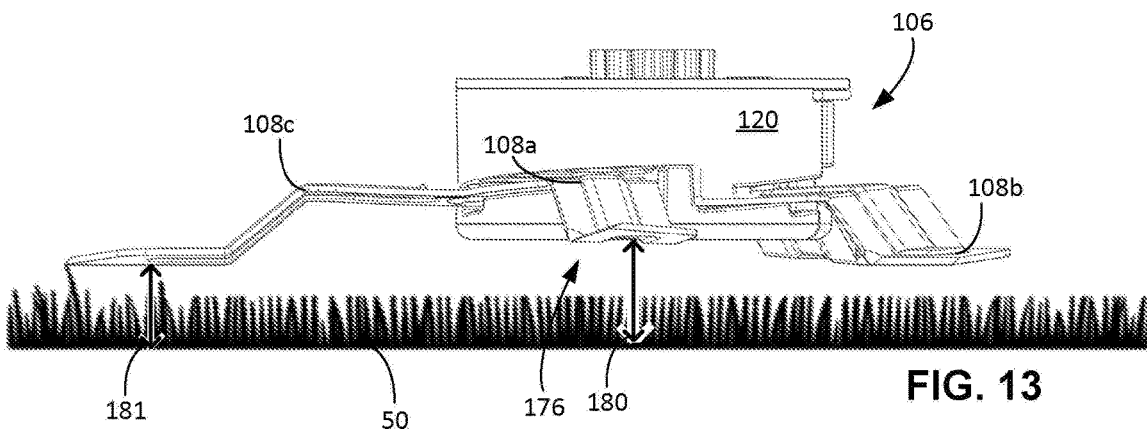


FIG. 13

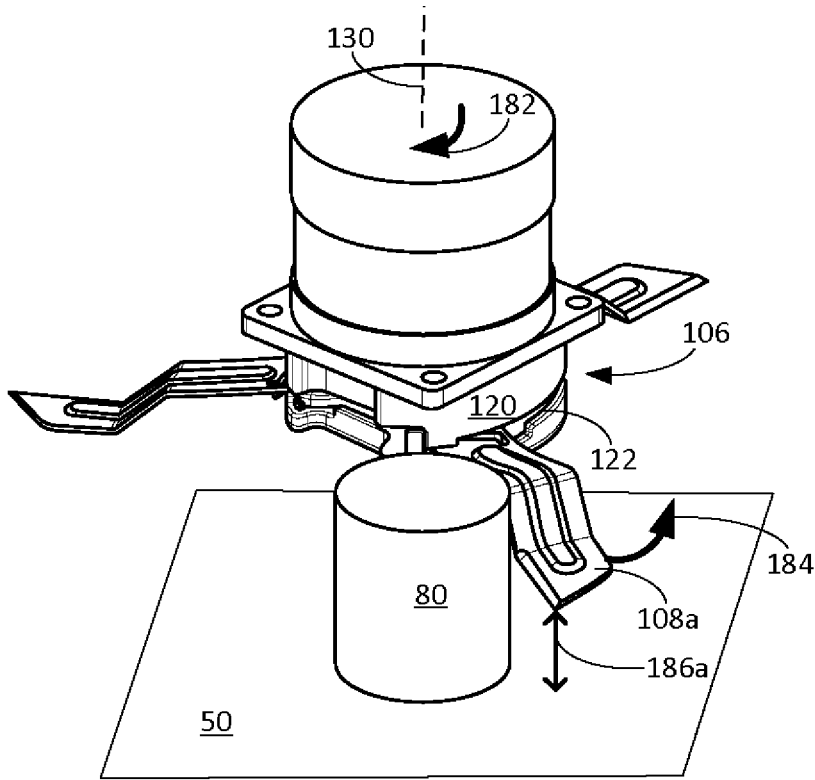


FIG. 14A

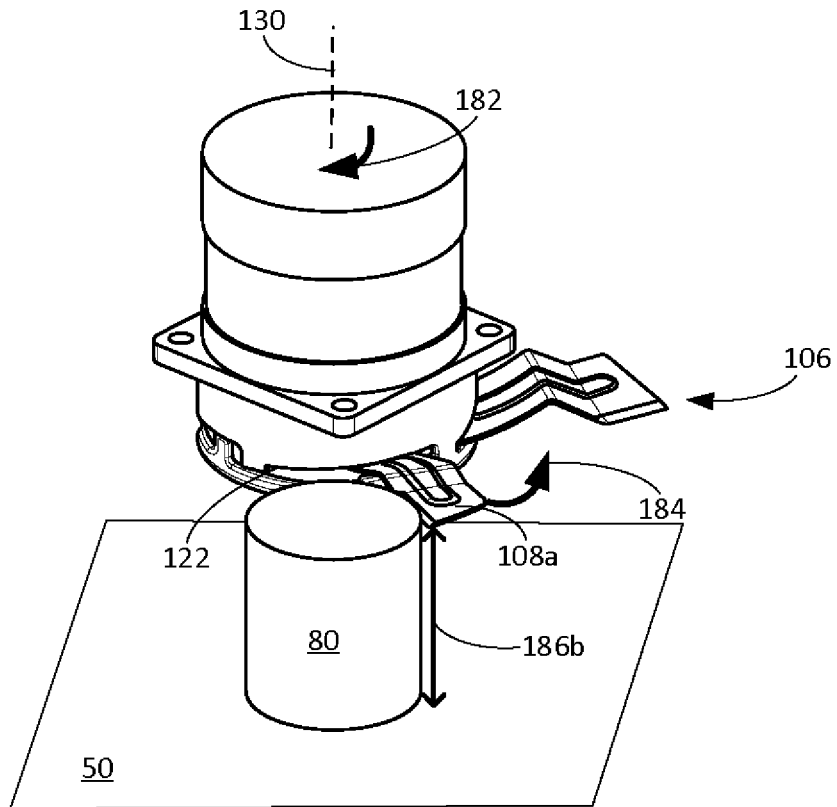


FIG. 14B

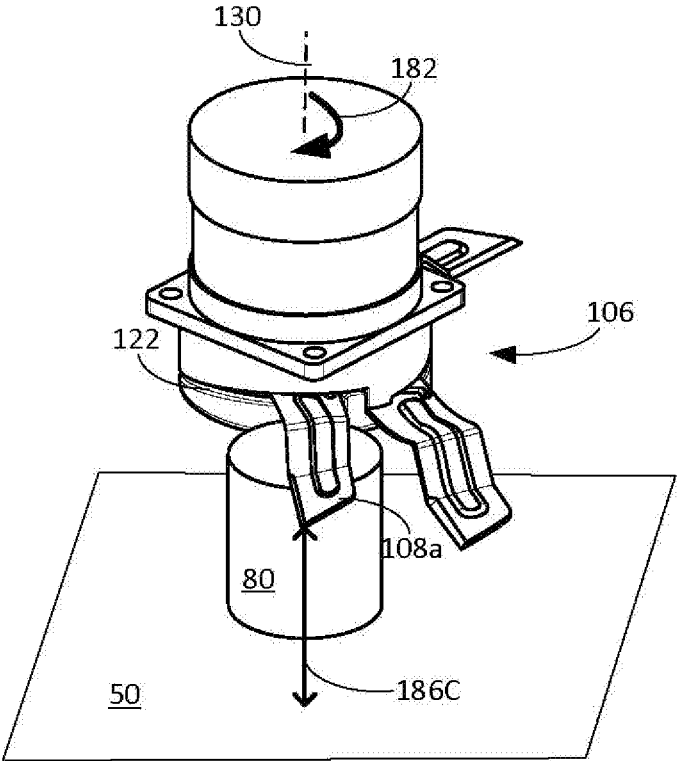


FIG. 14C

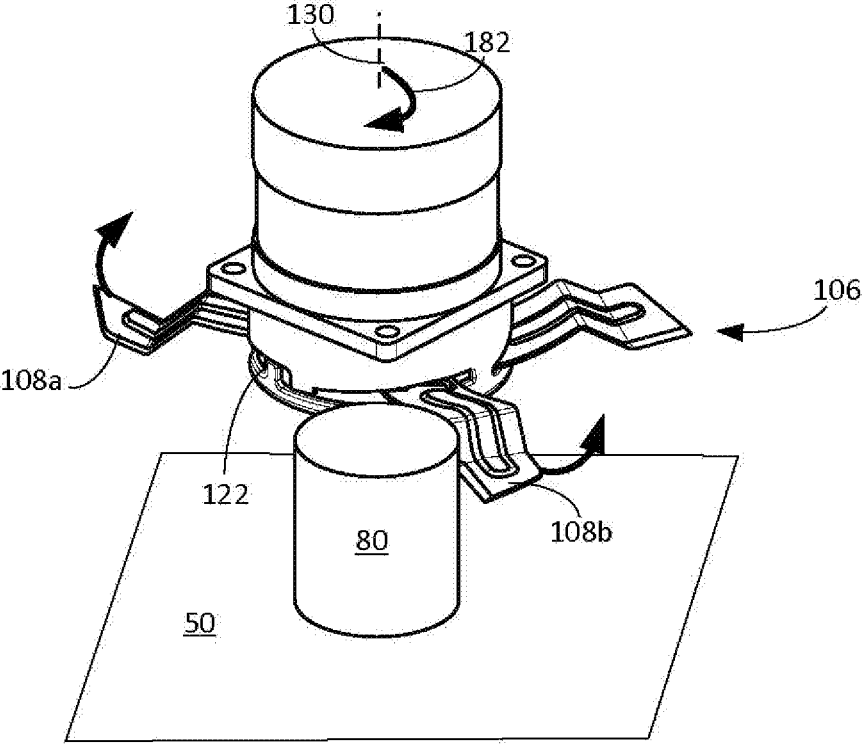


FIG. 14D

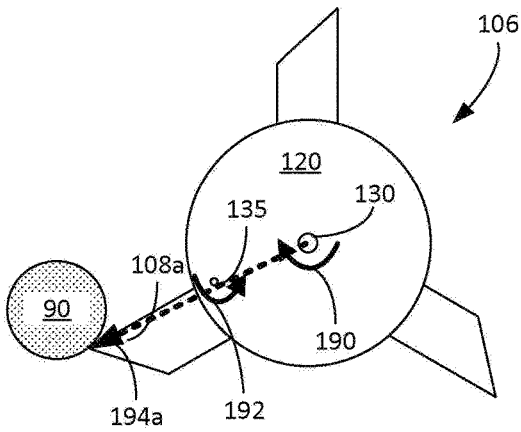


FIG. 15A

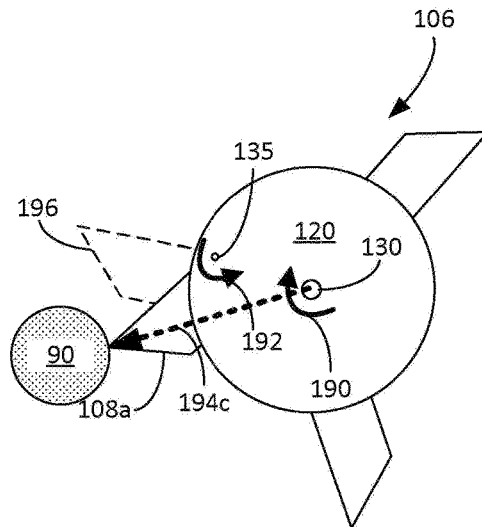


FIG. 15C

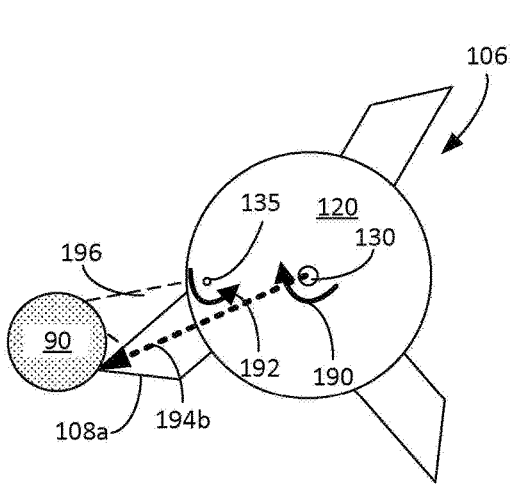


FIG. 15B

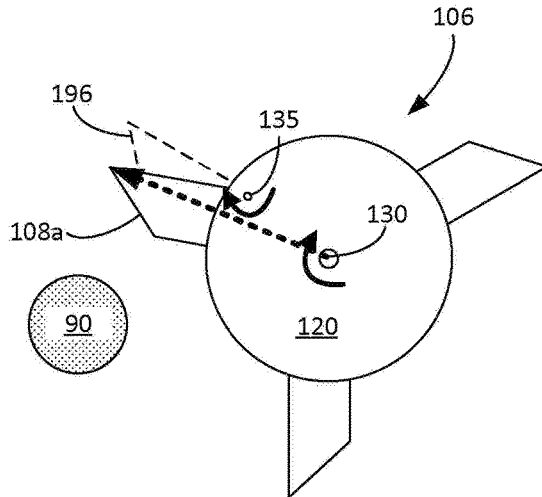


FIG. 15D

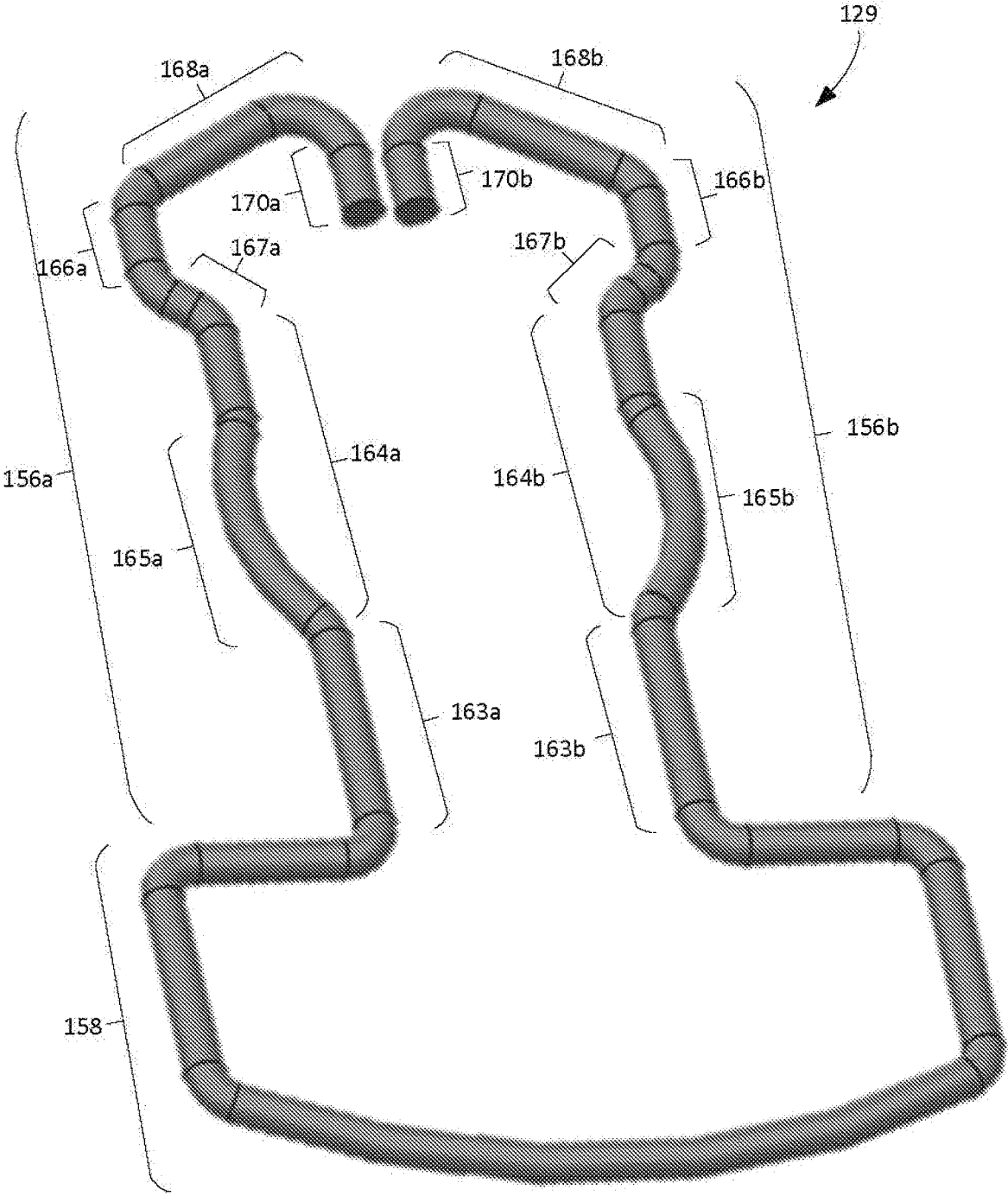


FIG. 16

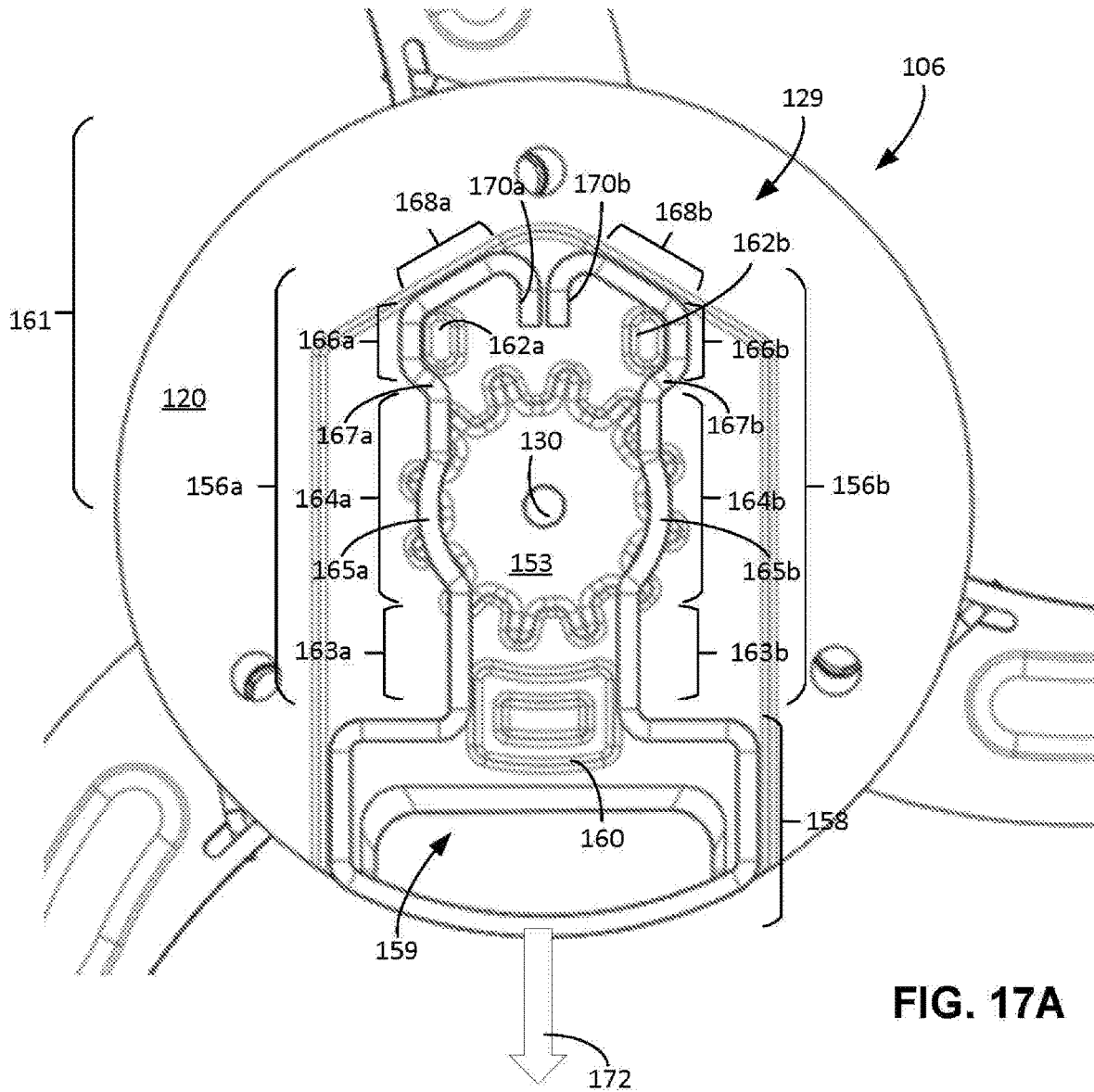
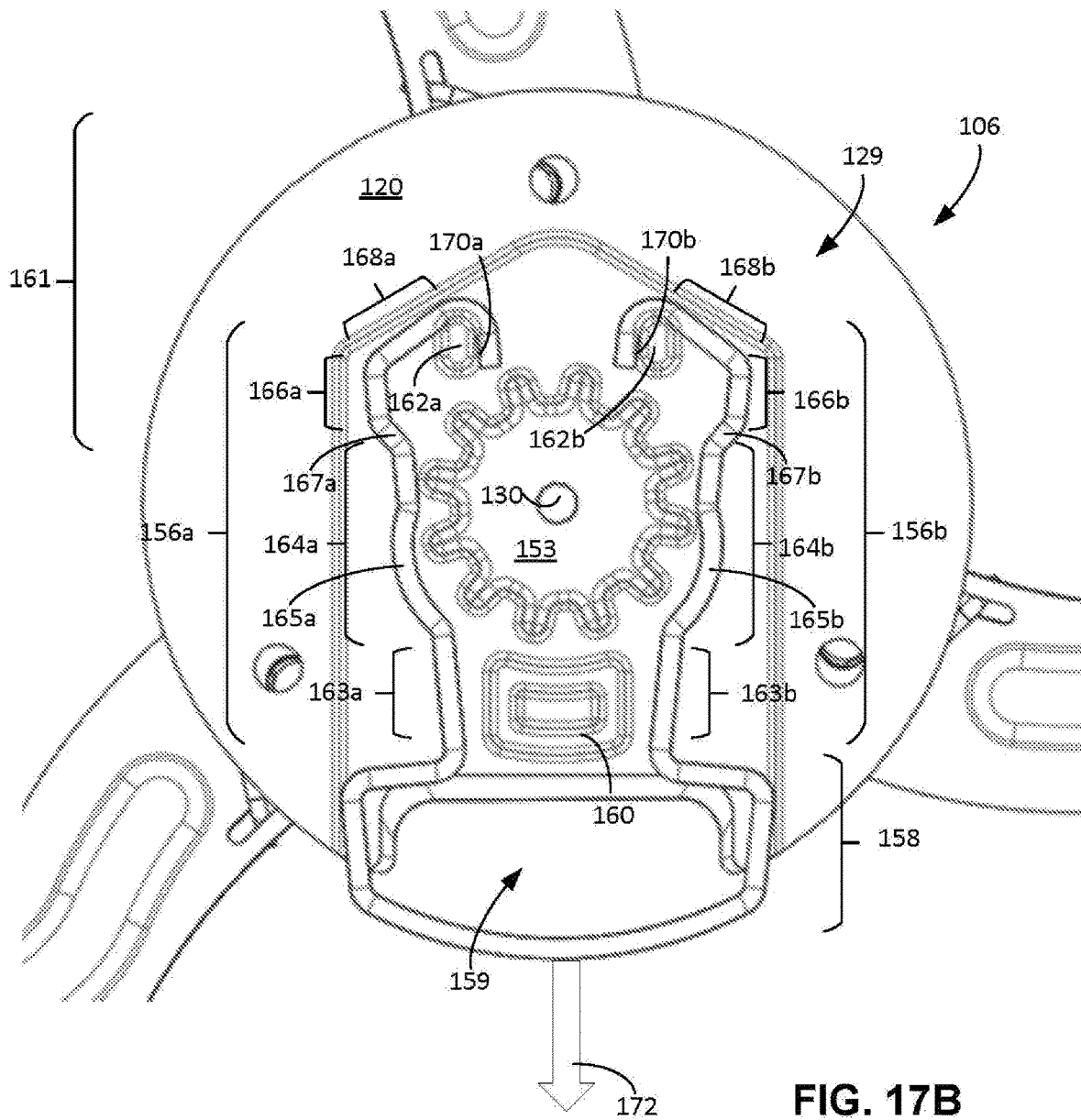
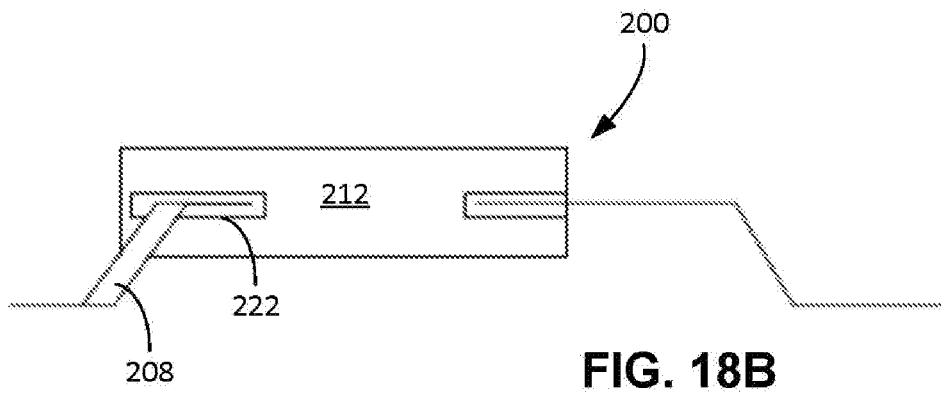
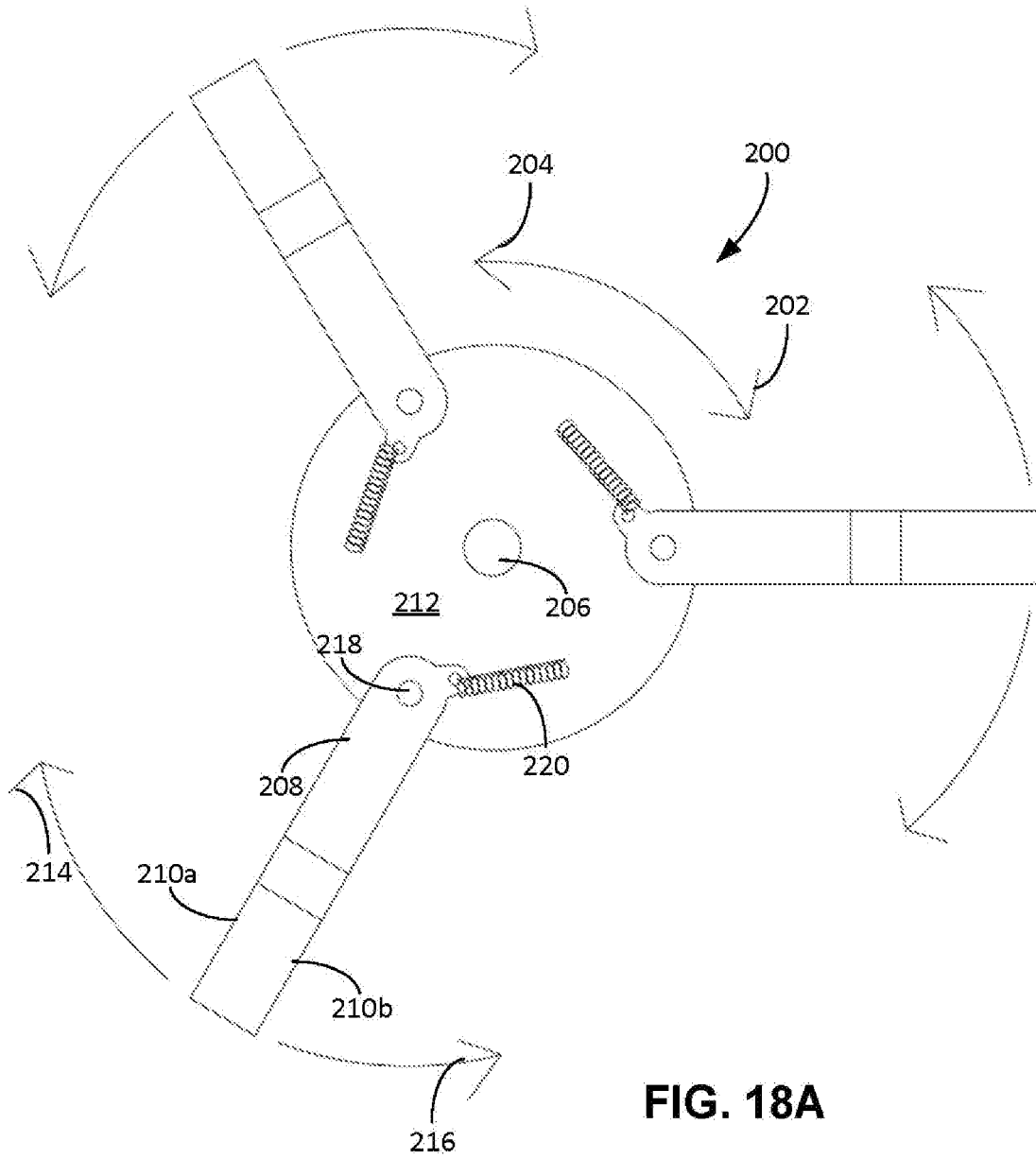


FIG. 17A





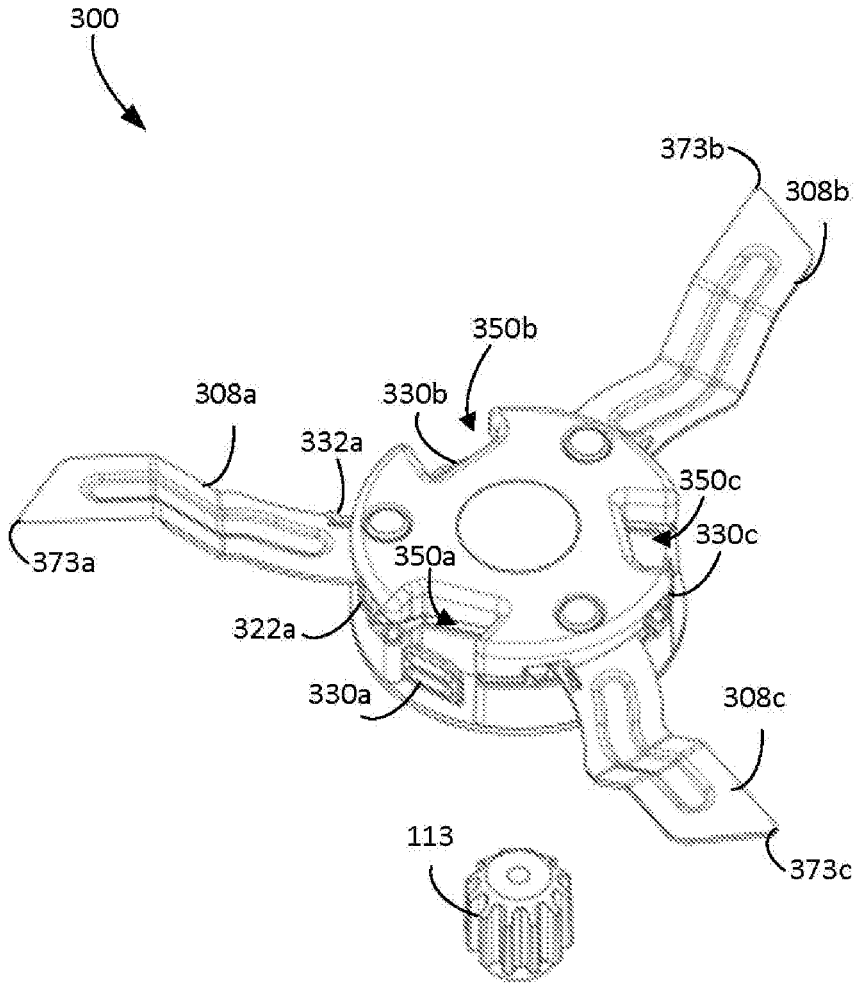


FIG. 19A

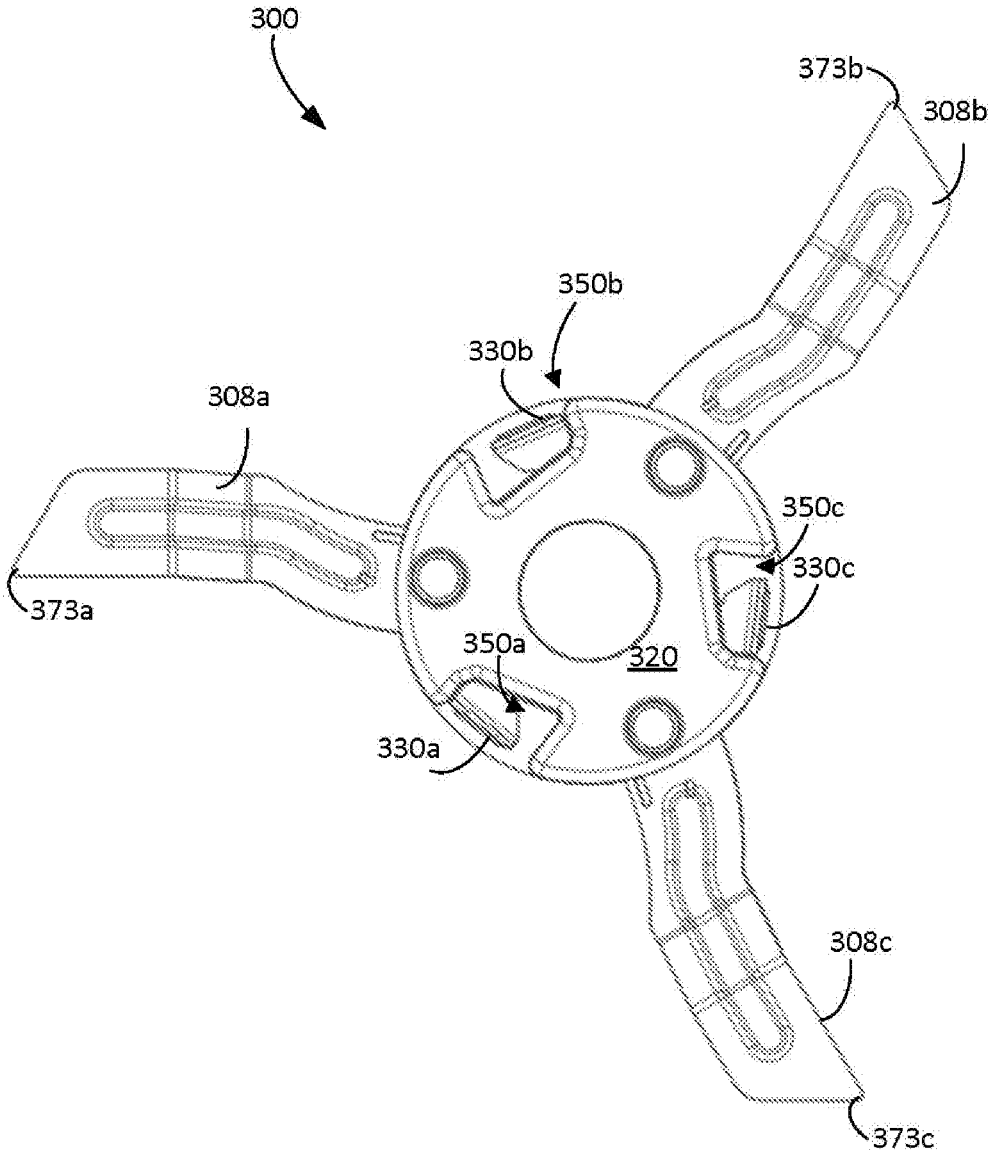


FIG. 19B

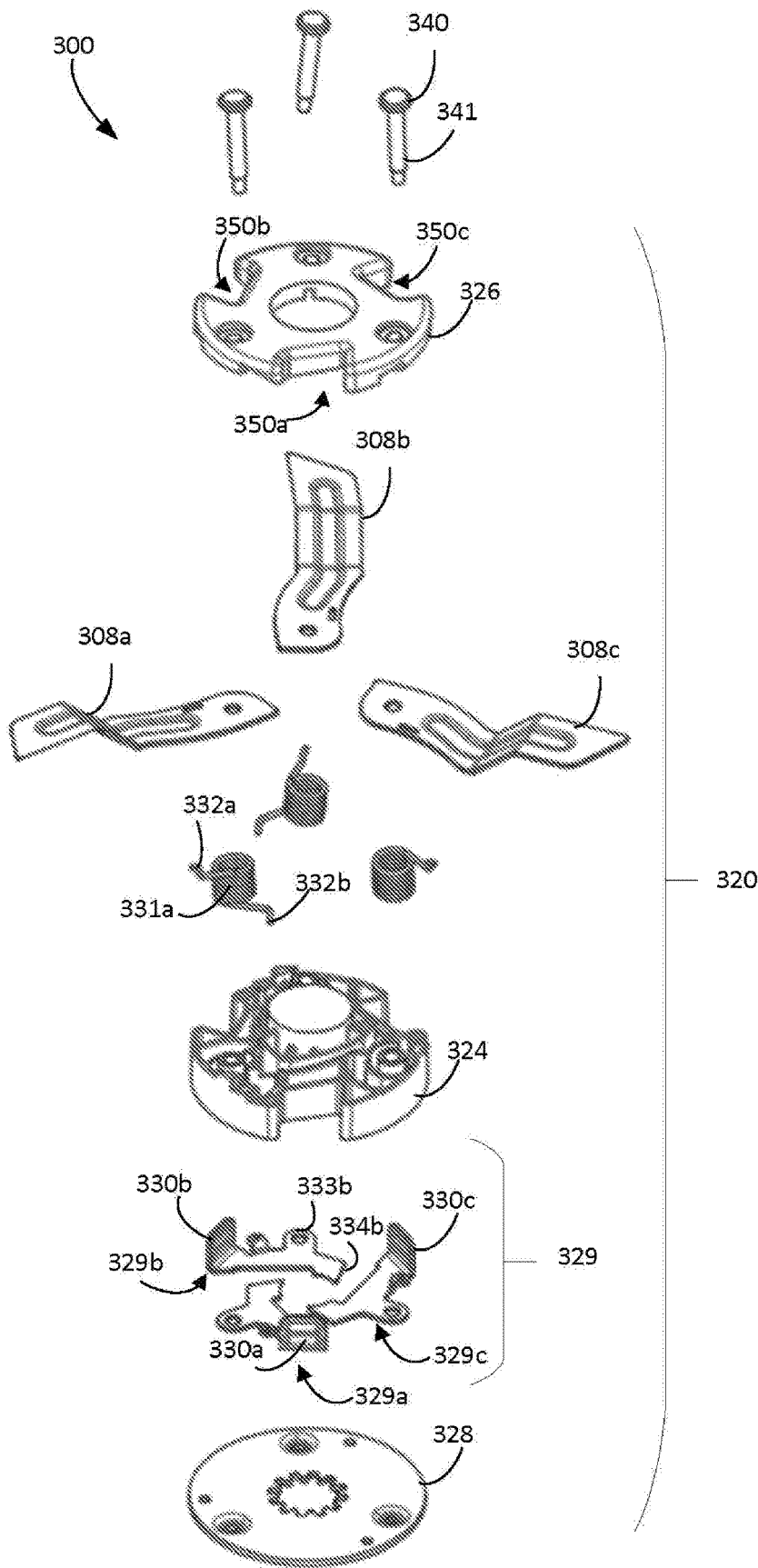


FIG. 20

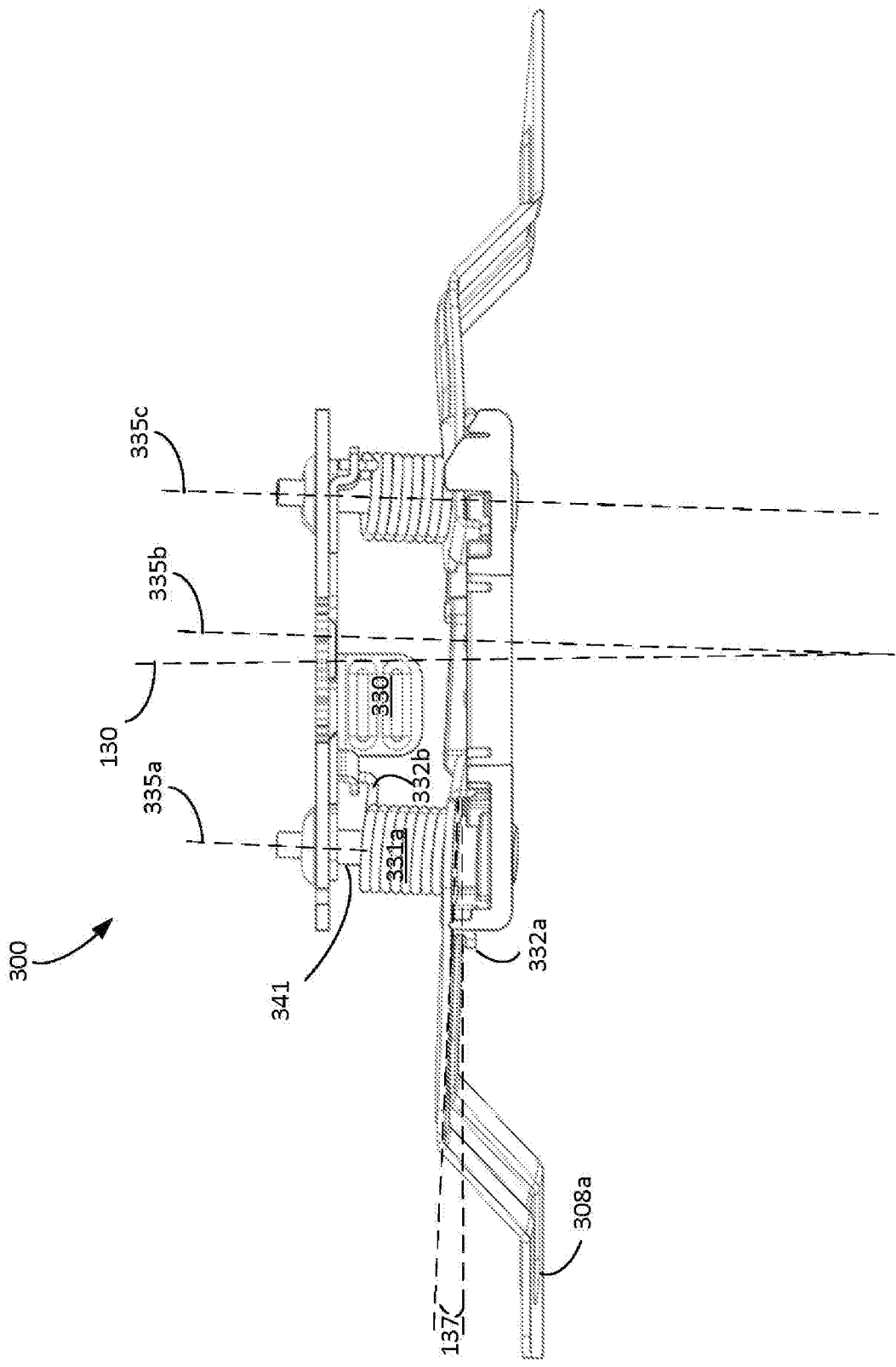


FIG. 21

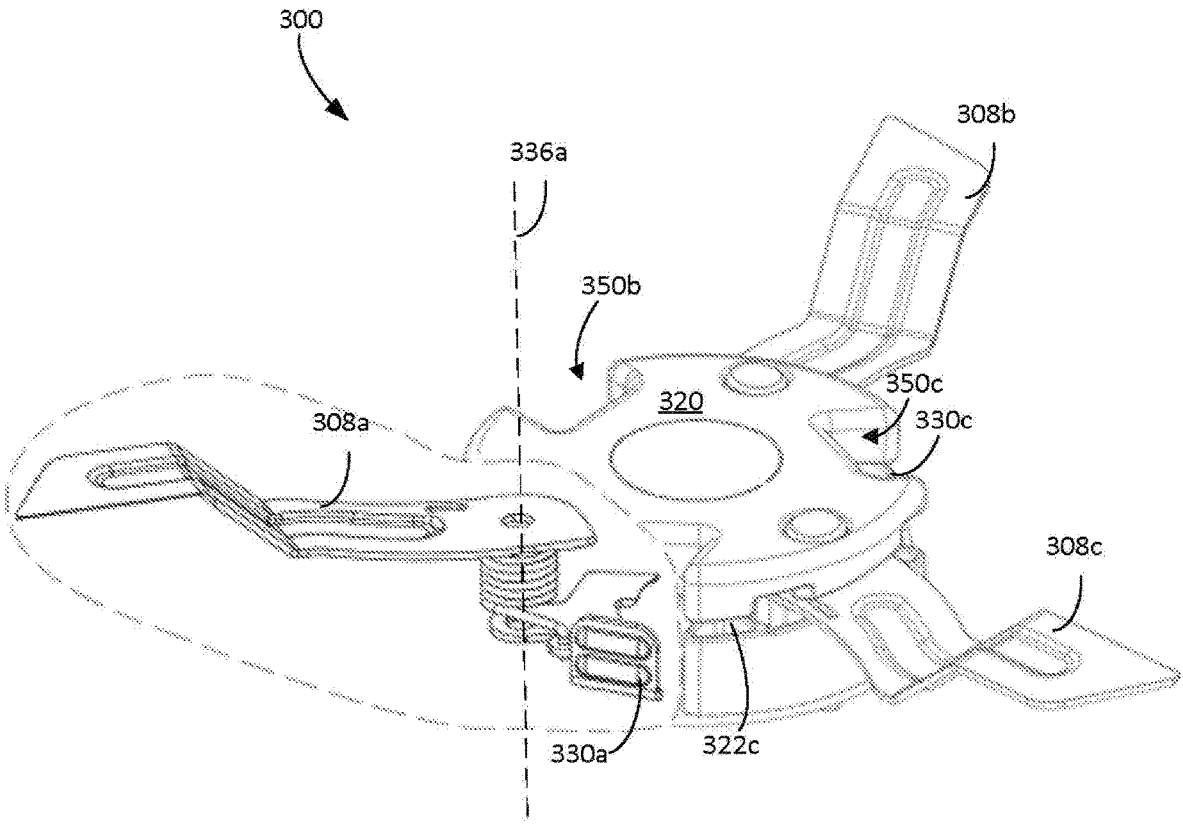


FIG. 22

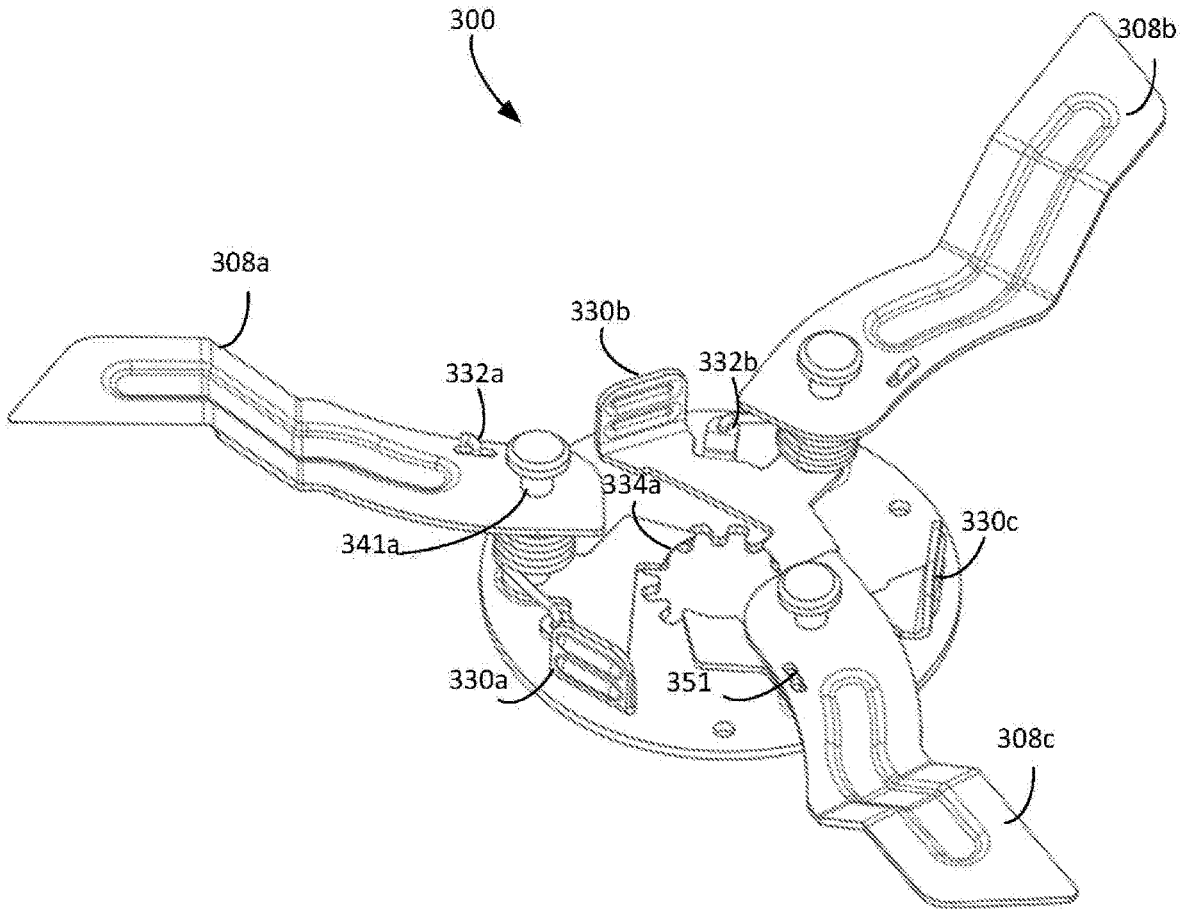


FIG. 23

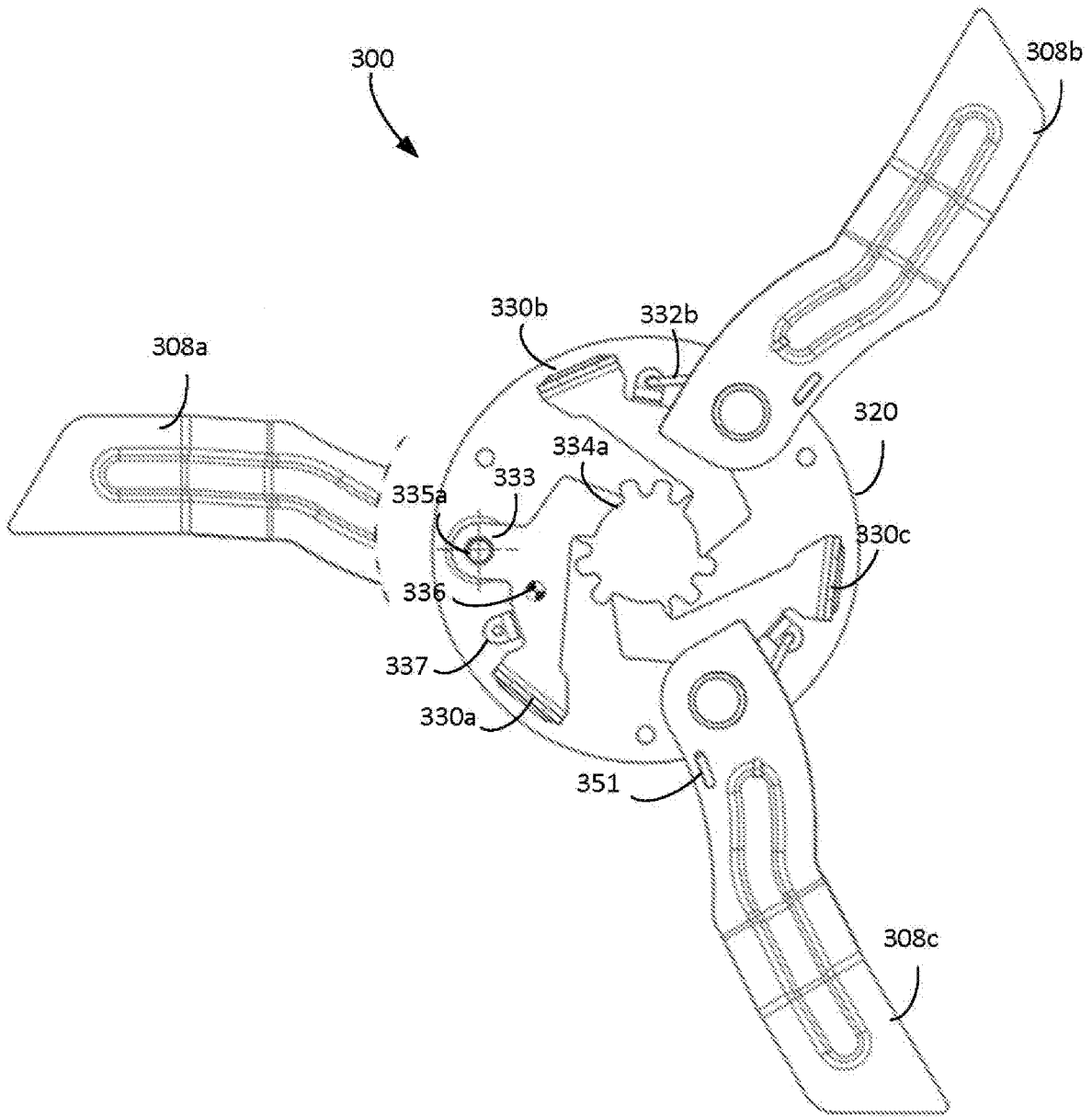


FIG. 24

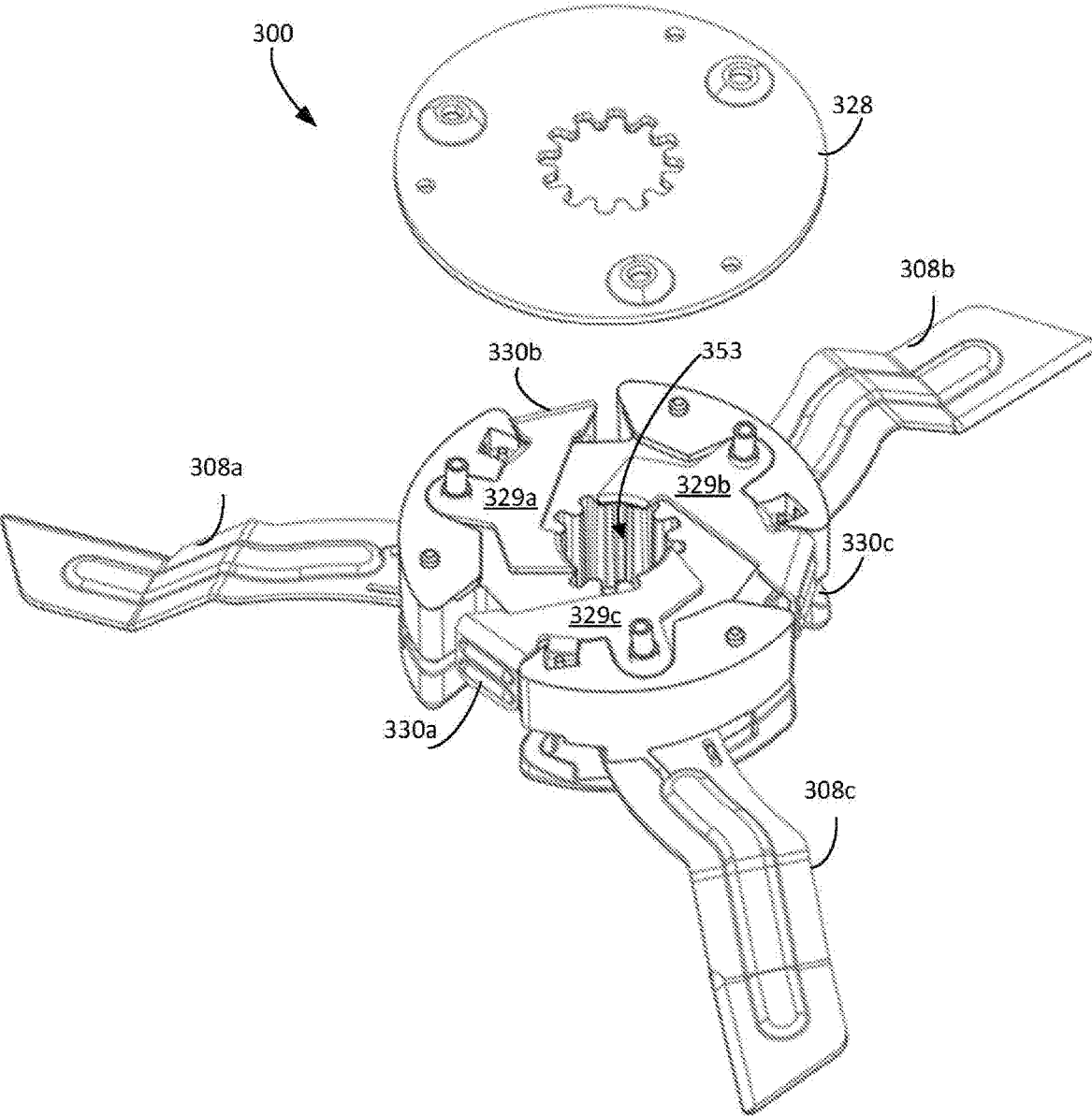


FIG. 25

BLADE ASSEMBLY FOR A GRASS CUTTING MOBILE ROBOT

TECHNICAL FIELD

[0001] This disclosure relates generally to a blade assembly for a grass cutting mobile robot.

BACKGROUND

[0002] A mobile lawn mowing robot can navigate about an environment to mow a confined area. The mobile lawn mowing robot includes blades that are rotatable. The mobile lawn mowing robot can rotate the blades as the mobile lawn mowing robot travels along a ground surface through the environment. As the blades rotate and contact mowable vegetation, such as grass, on the ground surface, the blades cut the vegetation.

SUMMARY

[0003] In one aspect, the present document features a grass cutting mobile robot including a body and a blade assembly connected to the body and rotatable about a drive axis. The blade assembly includes two or more spring mounted blades, two or more springs, and a housing to hold the blades. Each blade is rotatably mounted on a mounting axis and includes a cutting portion extending inwardly toward the drive axis from a blade tip. Each spring is configured to constrain movement of an associated one of the two or more blades.

[0004] The housing includes two or more finger wells and two or more slots in which to mount the two or more blades. The slots extending between successive finger wells. The housing further includes two or more push tabs. Each of the two or more push tabs is housed within and accessible one of the two or more finger wells. Each push tab is connected to a coupling latch mounted on the mounting axis of one of the two or more spring mounted blades. The coupling latch is configured to engage with a shaft rotatable about the drive axis, wherein pressing the push tab inward toward the drive axis rotates the coupling latch away from the drive axis and releasing the coupling latch rotates the towards the drive axis. In some examples, the finger wells are equidistantly spaced along the periphery of housing and in some examples, the finger wells are not equidistantly spaced. In some examples, the finger wells are recessed within the housing and the push tabs are positioned fully within a periphery of the housing.

[0005] In some examples, the coupling latch is connected to a lower end of one of the two or more springs and the coupling latch is configured to rotate around the mounting axis.

[0006] In some examples, the coupling latch comprises an engagement end configured to engage with the drive shaft, and the engagement end has a radius of curvature complimentary of a radius of curvature of the drive shaft.

[0007] In some examples, the slots are angled so that, in response to an impact, a portion of each blade is configured to move within a corresponding slot towards the drive axis by rotating about the mounting axis of the blade to cause the cutting portion of the blade to move upward relative to a ground surface toward the body and to reduce a tip radius defined by the blade tip and the drive axis as the blade tip rotates about the drive axis.

[0008] In some examples, each slot can extend, from proximate the mounting axis, away from the mounting axis and upward at an incline relative to a horizontal ground surface. An angle of the incline relative to the horizontal ground surface can be between 5 and 10 degrees.

[0009] In some examples, the mounting axis and the drive axis are non-parallel.

[0010] In some examples, the housing is configured to receive the shaft that connects the housing to the body and the shaft defines a groove or undercut therein. The coupling latch further includes an engagement end configured to engage with the drive shaft, and the engagement end is positionable within the undercut to lock the housing to the shaft.

[0011] In some examples, the two or more blades are connected to an upper end one of the two or more springs.

[0012] In some examples, the push tab and coupling latch are formed in a monolithic element.

[0013] In another aspect, a grass cutting mobile robot includes a housing to hold blades, a coupling latch configured to lock the housing to a drive shaft of the mobile robot, and a spring that connects the blade to the coupling latch. The housing includes a slot in which to mount one of the blades so that a portion of the blade is movable through the slot towards another of the blades in response to an impact. The housing is configured for coupling to an actuator of the grass cutting mobile robot so that the housing is rotatable about a drive axis, and the housing is configured to receive a shaft that connects the housing to the actuator. The shaft includes a groove or an undercut therein.

[0014] A coupling latch mounted on the mounting axis of one to the two or more spring mounted blades is configured to engage with the shaft. The coupling latch is rotatable within the housing to move an engagement end towards, or away from the groove or undercut. The engagement end is positionable within the groove to lock the housing to the actuator.

[0015] The spring connects at an upper end to a blade and at a lower end to the coupling latch.

[0016] In some examples, the housing includes a slot in which to mount a blade so that a portion of the blade is movable through the slot towards another blade in response to an impact. The slot slopes upwards in the housing towards the body, thereby enabling the blade to move upwards relative to a ground surface toward the body in response to the impact.

[0017] In some examples, the spring is a torsion spring having a twist axis, and the blade is configured to rotate relative to the housing about a mounting axis coincident with the twist axis and non-parallel to the drive axis.

[0018] In some examples, the spring can bias the blade away from the other blade.

[0019] In some examples, the blade assembly is configured to rotate relative to the body in a first direction, and the blade can be configured to rotate relative to the body in a second direction opposite the first direction in response to the impact. The grass cutting mobile robot can further include an actuator mounted in the body to rotate the blade assembly and one or more processors to execute instructions to perform operations. The operations can include detecting an increase in an electrical current delivered to the actuator and reducing the electrical current delivered to the actuator in response to detecting the increase. The increase can be responsive to the impact.

[0020] In some examples, the housing can include a splined cavity. The splined cavity can be configured to mate with a corresponding splined portion of the shaft of the actuator.

[0021] In some examples, the housing further comprises a finger well adjacent each of the blades and a push tab extending from the coupling latch and accessible within each finger well. The spring biases the coupling latch to rotate toward the shaft, and pressing the push tab inward toward the drive axis rotates the coupling latch away from the shaft.

[0022] Advantages of the devices, blade assemblies, and robotic systems described herein may include, but are not limited to, the following. The blade assembly can reduce the risk of damaging the blades of the blade assembly and the actuator of the grass cutting mobile robot. For example, because the blades can move relative to the housing of the blade assembly, the blades can contact an object on the ground surface and move relative to the housing to maneuver about the object and thereby move away from the object. The blades can move both laterally and vertically to discontinue the contact with the object and hence be able to move about objects of varying geometries.

[0023] The movement of the blades through the slots defined by the housing can decrease an impulse force on the blade assembly when the blades contact the object. For example, the movement of the blades through the slots can increase a duration of time over which the force from the contact with the object occurs, providing a greater amount of time for a controller of the grass cutting mobile robot to respond to the impact. Similarly, the springs coupled to the blades can produce a biasing force against the force of the impact with objects so that the movement of the blades through the slot occurs over a greater duration of time, further increasing the amount of time for the controller to respond. Decreased impulse also can reduce the risk of fatigue and other mechanical failure of the blades.

[0024] The retention mechanism of the blade assembly provides a release mechanism that can enable easy attachment and detachment of the blade assembly to the actuator of the grass cutting mobile robot. The retention mechanism can be confined within the housing such that the retention mechanism is easily accessible by a user yet also confined such that the risk of inadvertent disconnection of the blade assembly from the actuator can be decreased.

[0025] Any two or more of the features described in this specification, including in this summary section, can be combined to form implementations not specifically described herein.

[0026] The blade assemblies, robotic systems, devices, and techniques described herein, or portions thereof, can be controlled by a computer program product that includes instructions that are stored on one or more non-transitory machine-readable storage media, and that are executable on one or more processing devices to control (e.g., to coordinate) the operations described herein. The robots described herein, or portions thereof, can be implemented as all or part of an apparatus or electronic system that can include one or more processing devices and memory to store executable instructions to implement various operations.

[0027] The details of one or more implementations are set forth in the accompanying drawings and the description herein. Other features and advantages will be apparent from the description and drawings, and from the claims.

DESCRIPTION OF DRAWINGS

[0028] FIG. 1 is a side view of an example of a grass cutting mobile robot with a blade assembly moving across a ground surface.

[0029] FIG. 2 is a bottom view of the grass cutting mobile robot of FIG. 1.

[0030] FIG. 3 is an exploded top perspective view of an actuator and a blade assembly.

[0031] FIG. 4 is a side view of the blade assembly isolated from the grass cutting mobile robot of FIG. 1.

[0032] FIG. 5 is a bottom perspective view of the blade assembly of FIG. 4.

[0033] FIG. 6 is an exploded bottom perspective view of the blade assembly of FIG. 4.

[0034] FIG. 7A is a cross-sectional view of the blade assembly taken along the section line 7A-7A in FIG. 5 with a blade of the blade assembly in an extended position.

[0035] FIG. 7B is the cross-sectional view of the blade assembly shown in FIG. 7A with a blade of the blade assembly in a retracted position.

[0036] FIG. 8 is a bottom perspective view of a blade, shown transparent, coupled to a spring in the blade assembly.

[0037] FIG. 9A is a top perspective view of an example of a blade.

[0038] FIG. 9B is a side view of the blade of FIG. 9A.

[0039] FIG. 9C is a top view of the blade of FIG. 9A.

[0040] FIG. 9D is a cross-sectional view of the blade taken along the section line 9D-9D shown in FIG. 9C.

[0041] FIG. 10 is a schematic top view of the blade assembly showing a blade of the blade assembly in the extended position and the retracted position.

[0042] FIG. 11 is a top perspective view of the blade assembly showing the blade in the extended position and the retracted position.

[0043] FIG. 12 is a side cross-sectional view of the blade assembly isolated from the grass cutting mobile robot taken along the section line 12-12 in FIG. 11 with the blade in the retracted position.

[0044] FIG. 13 is a side view of the blade assembly isolated from the grass cutting mobile robot with the blade in the retracted position.

[0045] FIGS. 14A to 14D are side perspective views of an example of a blade of a blade assembly contacting an object.

[0046] FIGS. 15A to 15D are schematic side views of an example of a blade of a blade assembly contacting an object.

[0047] FIG. 16 is a top perspective view of a retention clip.

[0048] FIG. 17A is a top view of the blade assembly showing the retention clip of FIG. 16 in a retaining position.

[0049] FIG. 17B is a top view of the blade assembly showing the retention clip of FIG. 16 in a release position.

[0050] FIG. 18A is a top schematic view of an example of a blade assembly with blades having two cutting edges.

[0051] FIG. 18B is a side schematic view of the blade assembly of FIG. 18A.

[0052] FIG. 19A is a bottom perspective view of an exemplary blade assembly.

[0053] FIG. 19B is a bottom view of an exemplary blade assembly.

[0054] FIG. 20 is an exploded bottom perspective view of an actuator and a blade assembly of FIGS. 19A and 19B.

[0055] FIG. 21 is a side view of the blade assembly of FIGS. 19A and 19B with a portion of the assembly removed.

[0056] FIG. 22 is a partial cut away side view of the blade assembly of FIGS. 19A and 19B.

[0057] FIG. 23 is a bottom perspective view of a portion of the blade assembly of FIGS. 19A and 19B.

[0058] FIG. 24 is a bottom view of a portion of the blade assembly of FIGS. 19A and 19B.

[0059] FIG. 25 is a top perspective exploded view of the blade assembly of FIGS. 19A and 19B.

[0060] Like reference numerals in different figures indicate like elements.

DETAILED DESCRIPTION

[0061] Described herein are example mobile robots configured to traverse mowable areas to cut grass and other vegetation (hereafter referred to, collectively, as grass) using a blade assembly. The blade assembly is mountable on the mobile robot and, in an example implementation, includes two or more spring mounted blades. A quick-release retention mechanism is configured to enable a user to apply a force on the retention mechanism to mount and dismount the blade assembly to the mobile robot.

[0062] When the blade assembly is mounted on the mobile robot, the mobile robot rotates the blade assembly to cut the grass. In some implementations, the blades are mounted in the blade assembly such that the blades collapse in response to impact with non-mowable objects in the mowable area. The collapse of the blades enables the blades to move around objects as the mobile robot continues to traverse the area and the blade assembly continues to rotate.

[0063] FIG. 1 depicts a side view of a grass cutting mobile robot 100 (herein also referred to as robot) travelling across a ground surface 50 in a forward direction 102. The ground surface 50 includes unmowed grass 55 and mowed grass 60 that is cut by a blade assembly 106. The blade assembly 106, as shown in FIG. 2, includes a housing 120 in which blades 108 are mounted. The grass cutting mobile robot 100 also includes an actuator 112 to which the blade assembly 106 is mounted. The actuator 112, when the blade assembly 106 is mounted to the actuator, is configured to rotate the blade assembly 106. A small non-mowable object 65 (e.g., a small rock) and a large non-mowable object 70 (e.g., a large rock) are in the forward direction 102 of the grass cutting mobile robot 100. In some implementations, the robot 100 includes two or more blade assemblies 106.

[0064] Contact between the blade assembly 106 and such objects is undesirable, in some examples, because the contact may damage the blades 108, the blade assembly 106, or an actuator 112 used to drive the rotation of the blades 108. Furthermore, contact between a housing 120 of the blade assembly 106 may produce a lateral force on the actuator 112, which may damage a shaft of actuator 112.

[0065] The robot 100 includes multiple mechanisms to avoid damage to the robot 100 that may be caused by contact with the non-mowable objects 65, 70. As shown in FIG. 2, depicting a bottom view of the robot 100, the robot 100 includes a bumper 104 mounted on a forward portion of the body 103 of the robot 100. The bumper 104 and the blades 108 are configured to contact objects on the ground surface 50 as the robot 100 moves about the ground surface 50. Contact between the bumper 104 and objects tall enough to depress the bumper 104 is used to redirect the robot 100 away from larger non-mowable objects (e.g., non-mowable objects having a minimum height of the height of the bottom

of the bumper 104). The bumper 104 protects the blade assembly 106 from contacting these larger objects.

[0066] The blade assembly 106 is mounted on a bottom portion of the body 103 and includes a blade retraction mechanism that enables the blades 108 to retract and rise in response to contact with the non-mowable objects. Objects that the bumper 104 does not contact can, in some cases, come into contact with the blades 108. In some implementations, as described herein, blades 108 are mounted in the blade assembly 106 such that, as the blades 108 contact the object, the blades 108 rotate relative to the housing 120 of the blade assembly. Referring briefly to FIG. 10, the blades 108a, 108b, 108c (collectively referred to as blades 108) are mounted so that each blade 108a, 108b, 108c, upon contact with an object, independently rotates relative to the housing 120 of the blade assembly 106 from an extended position to a retracted position. FIG. 10 depicts the blade 108a in an extended position 174 shown in solid lines. The blade 108a is rotatable relative to the housing 120 to a retracted position 176 shown in dotted lines. Each of the blades 108a, 108b, 108c has a corresponding extended position and retracted position and is able to rotate between these positions independent of the other blades.

[0067] This rotation reduces the force of impact resulting from contact between the blades 108 and the object, thereby potentially reducing damage to the blades 108, the blade assembly 106, and the actuator 112. As described in greater detail herein, the movement of the blade 108a to the retracted position 176 further enables the blade 108a to move to a position such that the blade 108a avoids further contact with the object. The blade 108a, for example, rises vertically relative to the ground surface 50 to allow the object to pass beneath the blade 108a. The blade 108a additionally or alternatively collapses inwardly to allow the object to pass outside of the outermost point (e.g., a blade tip 139d shown in FIG. 10) of the blade 108a.

[0068] The blade 108a is also spring-mounted such that the movement of the blade 108a against the force of a spring delays the transfer of a large impulse force directly to the housing 120, thereby decreasing the impulse force on the actuator 112. The spring furthermore absorbs energy imparted onto the blade 108a when the blade 108a strikes an object, and biases the blade 108a back to a cutting position so that the blade 108a returns to the cutting position after the blade 108a has cleared the struck object.

[0069] As shown in FIGS. 1 and 2, drive wheels 110, in conjunction with caster wheels 111 on a forward portion of the robot 100, support the body 103 above the ground surface 50. The robot 100 further includes the actuator 112 on which the blade assembly 106 is mounted. Shown in the exploded view of the actuator 112 and the blade assembly 106 depicted in FIG. 3, the actuator 112 includes a shaft 113 on which the blade assembly 106 is mounted.

[0070] The robot 100 includes a controller 114 to control operations of systems of the robot 100. The controller 114, for example, controls one or more motors that rotate drive wheels 110 of the robot 100 to move the robot 100 across the ground surface 50. The controller 114 also controls an amount of power delivered to the actuator 112 to rotate the actuator 112 and, when the blade assembly 106 is mounted to the actuator 112, the blade assembly 106.

[0071] As the robot 100 moves around the ground surface 50 in the forward movement direction 102 as shown in FIG.

1, the bumper 104 of the robot 100 is positioned on the body 103 of the robot 100 to contact objects along the ground surface 50. When the bumper 104 contacts the object, in response to the force of the impact with the object, the bumper 104 moves in a rearward direction relative to the body 103 of the robot 100. In some implementations, the bumper 104 also moves in an upward direction relative to the body 103 of the robot 100. The controller 114 alternatively or additionally controls an amount of power delivered to the motors rotating the drive wheels 110 and/or the actuator 112 in response to impact between the bumper 104 and the objects in the environment. In some implementations, the bumper 104 includes a contact sensor, force sensor, or other appropriate sensor that generates signals in response to impact or contact with objects on the ground surface 50. The controller 114 controls the navigation of the robot 100 depending on the signals generated by the sensor. For example, in response to detecting the contact with an object, the controller 114 decreases power delivered to the drive wheels 110 to reduce their speeds or differentially drive the drive wheels 110 to turn the robot 100 away from the object.

[0072] In some examples, the bumper 104 contacts objects that have a height greater than a bumper height 116 as measured from the ground surface 50 to a bottom surface of the bumper 104. As the robot 100 moves in the forward direction 102, the bumper 104 contacts the large object 70 but does not contact the small object 65 because the large object 70 has a greater height than the bumper height 116 and the small object 65 has a smaller height than the bumper height 116. The bumper height 116 is, for example, between 3 and 7 centimeters (e.g., 4 to 6 centimeters, approximately 5 centimeters). A height of the large object 70 can be greater than the bumper height 116 (e.g., greater than 3 to 7 centimeters), and a height of the small object 65 can be less than the bumper height 116 (e.g., less than 3 to 7 centimeters).

[0073] An object, if sufficiently small, may enter into the underside area 118 beneath the body 103. In some examples, when the bumper 104 does not contact the small object 65, as the robot 100 moves in the forward direction 102, the small object 65 moves into an underside area 118 beneath the body 103. In some cases, the robot 100 contacts an object having a greater height than the bumper height 116, and the object contacts the bumper 104 and cause the bumper 104 to move in the upward direction relative to the body 103 such that the object moves beyond the bumper 104 into the underside area 118 beneath the body 103.

[0074] The blade assembly 106 is mounted on the robot 100 such that the blades 108 are positioned at a blade height 132 above the ground surface 50. The blade height 132 determines the height of the mowed grass 60. In this regard, the blade height 132 is selected such that the height of grass after the robot 100 mows the grass (e.g., the unmowed grass 55) is at a desired height. In some examples, the blade height 132 is less than the bumper height 116, while in other examples, the blade height 132 is greater than the bumper height 116.

[0075] FIG. 4 shows the blade assembly 106 isolated from the robot 100 of FIG. 1, and FIG. 5 shows a bottom perspective view of the blade assembly 106. The blade assembly 106 includes the housing 120 to hold the blades 108. While three blades 108 are shown, in some examples, one, two, four, or more blades are mounted in the blade

assembly 106. The housing 120 is, for example, a cylindrical housing. The housing 120 includes slots 122 formed between an upper housing 124 and a lower housing 126 that are connected to form the housing 120 (see FIG. 6) and to define the slots 122 in which the blades 108 are mounted.

[0076] The blades 108 also move through the slots 122 in response to impact with objects on the ground surface 50. In some examples, as shown in FIG. 4, the slots 122 include widened portions 122a to accommodate the blades 108 in their fully retracted positions. The slots 122 are also inclined along the cylindrical housing so that the slots 122 rise as they extend through the housing, thereby enabling the blades 108 to rise as they move through the housing. As shown in FIGS. 7A and 7B, each blade 108 is mounted on a pivot shaft 134 in the housing 120 such that each blade 108 is rotatable relative to the housing 120 about a mounting axis 135 defined by the pivot shaft 134. For example, as the blade 108a rotates about the mounting axis 135 relative to the housing 120, e.g., in response to an impact force on the blade, the blade 108a moves through the corresponding slot 122.

[0077] The housing 120 further includes a confinement plate 128 that cooperates with the upper housing 124 to align the actuator 112 of the robot 100 to the blade assembly 106. The confinement plate 128 and the upper housing 124 rotationally couple the actuator 112 to the blade assembly 106. The upper housing 124 interacts with a retention clip 129, described in greater detail herein, to lock the actuator 112 to the housing 120. When the actuator 112 is locked to the housing 120, relative translation between the actuator 112 and the housing 120 is inhibited, thereby enabling the blade assembly 106 and the shaft 113 of the actuator 112 to jointly rotate about a drive axis 130 relative to the body 103.

[0078] The mounting axis 135 of the blades 108 and the drive axis 130 are substantially non-parallel. The drive axis 130 is, for example, perpendicular to a horizontal ground surface 50, while the mounting axis 135 is angled relative to the drive axis 130. The angle between the mounting axis 135 and the drive axis 130 is, for example, is between, for example, 5 and 10 degrees (e.g., between 6 and 9 degrees, 7 and 8 degrees, approximately 7.5 degrees); however, as described herein, angles other than these can be used.

[0079] Absent impact or contact between objects on the ground surface 50 and the blades 108, the actuator 112 causes blade tips 173a, 173b, 173c (the blade tip 139d of the blade 108a corresponding to the blade tip 173a, and the blade tips 173a, 173b, 173c being collectively referred to as blade tips 173) to rotate within a plane parallel to and above the ground surface 50. Upon impact or contact between the blades 108 and the objects, the blades 108 rotate relative to the housing 120 to cause the blade tips 173 to rotate within a plane angled to the ground surface 50. The blade tips 173 therefore change in height relative to the ground surface 50 as they rotate relative to the housing 120 of the blade assembly 106. The angle between the plane of rotation of the blade tips 173 relative to the housing 120 and the plane of rotation of the blade tips 173 due to the rotation of the actuator 112 is between, for example, 5 and 10 degrees (e.g., between 6 and 9 degrees, 7 and 8 degrees, approximately 7.5 degrees); however, as described herein, angles other than these can be used. The blades 108 rotate such that they move inwardly toward the housing 120 and rise away from the ground surface 50. The blade tips 173, as the blade tips 173 rise away from the ground surface 50, are configured to

increase up to a height between, for example, 5 and 15 millimeters (e.g., between 5 and 10 millimeters, 10 and 15 millimeters, 6 and 14 millimeters, 7 and 13 millimeters, approximately 8 millimeters).

[0080] As shown in FIGS. 7A and 7B, example blade **108a** is mounted on the housing **120** at a tilt angle **137** relative to the ground surface **50**. The tilt angle **137** of the blade **108a** enables the blade **108a** to move in an upward trajectory as the blade **108a** rotates relative to the housing **120** within the slot **122**. In this example, the tilt angle corresponds to the angle formed between the mounting axis **135** and the drive axis **130**. The tilt angle **137** is between, for example, 5 and 10 degrees (e.g., between 6 and 9 degrees, 7 and 8 degrees, approximately 7.5 degrees); however, angles other than these may be used as the tilt angle. For example, a greater tilt angle increases the height that the blade **108a** rises as the blade **108a** move within the corresponding slots **12**. In other examples, a lower tilt angle in combination with a longer slot increases the distance travelled by the blades through the slot **122** without decreasing the maximum height increase of the blade **108a** as the blade **108a** moves to the retracted position.

[0081] Because the housing **120** is cylindrical, the slot **122** is inclined to enable the blade **108a** at the tilt angle **137** to rotate in the upward trajectory relative to the housing **120** through the housing **120**. Each of the slots **122**, for example, is angled to accommodate the tilt angle **137** of the blade **108a**. Each slot **122** extends from proximate the mounting axis **135** away from the mounting axis **135** upward in the housing **120**. Each slot **122** inclines upward toward the body **103** away from the ground surface **50** to form an angle with the horizontal ground surface **50**. The angle between the slot and the ground surface **50** corresponds to the tilt angle **137** of the blade **108a**. The blade **108a** accordingly are rotatable through the slot **122** without contacting a wall surface of the housing **120** defining the slot **122**.

[0082] The blade assembly **106** further includes springs **131** mounted in the housing **120**. For each spring **131**, one end of the spring **131** is rotationally constrained to the housing **120** and the other end of the spring **131** is coupled to a corresponding blade **108**. Because the spring **131** is coupled to both the housing **120** and the blade **108**, the spring **131** is configured to constrain movement of the corresponding blade **108** relative to the housing **120**. The spring **131** includes a first end **131a** coupled to the housing **120** and a second end **131b**, as shown in FIG. 8, coupled to the blade **108a**. The second end **131b** of the spring **131** is mounted into, for example, an opening **151** on the blade **108a**.

[0083] Because the first end **131a** is coupled to the housing **120** (e.g., the first end **131a** is rotationally constrained to the housing **120**) and the second end is coupled to the blade **108a**, relative motion between the housing **120** and the blade **108a** causes the spring **131** to twist about the twist axis **136**. The blades **108** are spring-mounted within the housing **120** such that the blades **108** are biased into the position as shown in FIGS. 3 to 5, 7A, and 11. The spring **131** is positioned such that a twist axis **136** of the spring **131** coincides with the mounting axis **135**. Both the twist axis **136** and the mounting axis **135** are angled relative to the drive axis **130**. Each blade **108** has a spring **131** and therefore rotates independently from the other blades.

[0084] Rotation of the blade **108a** relative to the housing **120** away from its initial position through the slot **122** causes

the spring **131** to store energy. The spring **131** exerts a force opposite of the rotation of the blade **108a** away from its initial position. Thus, as the blade **108a** rotates relative to the housing **120** toward another blade, the force from the spring **131** biases the blade **108a** away from the other blade. The spring **131** is, for example, a 1 to 5 lb-in (e.g., 1 to 2.5 lb-in, 2.5 to 5 lb-in, approximately 2.5 lb-in, 0.11 to 0.57 N-m, 0.11 to 0.28 N-m, 0.28 to 0.57 N-m, approximately 0.28 N-m) torsional spring; however, torsional springs having other performance characteristics may be used. For example, a torsional spring with greater strength increases the amount of energy absorbed by the spring when the blade **108a** is rotated to the fully retracted position and increases the amount of force required to cause the blade **108a** to move to the fully retracted position. A torsional spring with smaller strength decreases the amount of energy absorbed by the spring when the blade **108a** is rotated to the fully retracted position and decreases the amount of force required to cause the blade **108a** to move to the fully retracted position.

[0085] FIGS. 7A and 7B depict a single blade **108a** moving through the housing **120**. The other blades **108b**, **108c** are not shown to simplify the depiction of the movement of the blade **108a**. As described herein in greater detail, the blade **108a** rotates through the slot **122** from an extended position (FIG. 7A) to a retracted position (FIG. 7B). The extended position corresponds to an initial position of the blade **108a** within the slot **122**. The retracted position corresponds to a final position of the blade **108a** within the slot **122** in which the blade **108a** cannot rotate farther from its initial position due to contact with the walls of the housing **120**. In the retracted position, a portion of the blade **108a** is within the widened portion **122a** of the slot **122**.

[0086] FIGS. 9A to 9D illustrate an example of the blade **108a**. The blade **108a** defines a first edge **138** and a second edge **140** that correspond to a leading edge and a trailing edge, respectively, of the blade **108a** as the blade assembly **106** rotates about the drive axis **130** in a forward rotating direction **142** (shown in FIG. 5). The first edge **138** and the second edge **140** are connected by a top surface **144** and a bottom surface **146** of the blade **108a**.

[0087] Because the blade **108a** is mounted at the tilt angle **137** relative to the ground surface **50**, as shown in FIG. 4, the second edge **140** is higher than the first edge **138** relative to the ground surface **50**. The blade height **132** corresponds to the height of the first edge **138** above the ground surface **50**. In this regard, when the blade assembly **106** is rotating, the first edge **138** cuts the unmowed grass **55** to a height approximately equal to the blade height **132**.

[0088] Because the blade **108a** is mounted with the tilt angle **137**, the bottom surface **146** from near the first edge **138** to the second edge **140** is positioned at a height greater than the blade height **132**. Therefore, after the first edge **138** cuts the grass to the blade height **132**, the bottom surface **146** clears the mowed grass **60** without dragging along the mowed grass **60**. Reduced dragging decreases friction forces that need to be overcome by the actuator **112** as the actuator **112** rotates the blade assembly **106** to cut the grass. The tilt angle **137** thereby can enable greater cutting efficiency by inhibiting friction forces that are caused by the dragging of the bottom surface **146**.

[0089] Each of the blades **108** includes a first portion **139a**, a second portion **139b** extending from the first portion **139a**, and a third portion **139c** extending from the second portion **139b** to a blade tip **139d**. The first portion **139a** is the

portion of the blade **108a** mounted within the housing **120**. The first portion **139a** includes the opening **151** to mount the spring **131** to the blade **108a** as well as an opening **157** to rotatably mount the blade **108a** onto the housing **120** (e.g., to mount the blade **108a** onto the pivot shaft **134** of the housing **120**). The first portion **139a** extends from within the housing **120**, where it is mounted, out of the housing **120** through the slot **122**.

[0090] The second portion **139b** of the blade **108a** extends downward from the first portion **139a** of the blade **108a** such that the second portion **139b** terminates at the blade height **132**. The widened portion **122a** of the slot **122** accommodates the second portion **139b** of the blade **108a** when the blade **108a** is in the retracted position (FIG. 7B).

[0091] The third portion **139c** of the blade **108a** extending from the second portion **139b** is positioned to extend generally horizontally above the ground surface **50** at the blade height **132**. The third portion **139c** includes a cutting portion **138a** of the first edge **138** that extends from the blade tip **139d** inwardly toward the drive axis **130**. The third portion **139c** and the cutting portion **138a** are, for example, coincident with or parallel to a radial axis of the blade assembly **106** extending from the drive axis **130**. In some cases, the third portion **139c** forms an angle with the radial axis between 0 and 2.5 degrees (e.g., 0 to 1.5 degrees, 0 to 0.5 degrees, less than 1 degree, less than 0.5 degrees).

[0092] In some examples, because only the third portion **139c** of the blade **108a** is at the blade height **132**, when the robot **100** travels across the ground surface **50** to mow grass, the third portion **139c** contacts the grass while the first and second portions **139a**, **139b** do not contact the grass. The third portion **139c**, as the most distal portion of the blade **108a** relative to the drive axis **130** of the blade assembly **106**, has a greater lever arm as measured from the drive axis **130**. Given a torque applied by the actuator of the robot **100** on the blade assembly **106**, the force exerted by the third portion **139c** on the grass is greater than the force that could be exerted by the second portion **139b** and the first portion **139a**.

[0093] Furthermore, the third portion **139c** has a relatively small length compared to the overall length of the blade **108a**. In some examples, the third portion **139c** has a length **150** that is a percent of an overall horizontal length **152** of the blade **108a** between 10% and 50% (e.g., between 10% and 30%, between 20% and 40%, between 30% and 50%, approximately 20%, approximately 30%, approximately 40%). In some examples, the horizontal length **152** of the blade **108a** is between 5 and 30 centimeters (e.g., between 5 and 7.5 centimeters, between 7.5 and 10 centimeters, between 5 and 10 centimeters, between 10 and 20 centimeters, between 20 and 30 centimeters, approximately 7.5 centimeters, approximately 15 centimeters, approximately 20 centimeters, approximately 22.5 centimeters, approximately 25 centimeters). The combination of the smaller surface area of the third portion **139c** in contact with the grass and the longer lever arm of the third portion **139c** enables the third portion **139c** to deliver more concentrated force on the grass as the blade **108a** cuts the grass. The concentrated force, by cutting cleanly through the grass, achieves improved cut quality of the grass. Improved cut quality, for example, includes achieving a uniform cut over a swath of grass. In some implementations, improved cut quality means that at least between 75-80% of grass blades in a cut area are within a range of between 10% to 15% of

desired cutting height (e.g., blade height **132**). In some implementations, improved cut quality means achieving a uniform cut across a vertically oriented blade so that the cut edge is not jagged and/or so that the length of the cut edge is no more than 10-15% longer than the width of the blade of grass.

[0094] Optionally, the top surface **144** of the blade **108a** includes an embossment **148**. The embossment **148** extends longitudinally along the blade **108a**. The embossment **148**, for example, extends along the top surface **144** through 50% to 90% (e.g., 60% to 80%, 65% to 75%, approximately 70%) of the horizontal length **152** of the blade **108a**. As shown in FIG. 9D, which is a cross-sectional view of the blade **108a** along the section line 9D-9D shown in FIG. 9C, the embossment **148** modifies the cross-sectional shape of the blade **108a** to modify air flow across the blade **108a** as the blade **108a** rotates. The cross-sectional shape of the embossment **148** is, for example, configured such that air flow during rotation of the blade assembly **106** induces a lift force on the blade **108a** that would cause the blade **108a** to partially rise through the slot **122**. Such a cross-sectional shape reduces a risk of the blade **108a** bending in response to the air flow that occurs during the rotation of the blade assembly **106**.

[0095] When the blade **108a** moves through the slot **122**, the blade **108a** is configured such that rotation of the blade **108a** about the mounting axis **135** of the blade **108a** through the slot **122** causes the blade **108a** to move toward the drive axis **130**. As depicted in a top view of the blade assembly **106** in FIG. 10, during cutting operations, the blades **108a**, **108b**, **108c** rotate with the blade assembly **106** in a counterclockwise sense (as viewed from above). Each of the blades **108a**, **108b**, **108c** is movable relative to the housing **120** between an extended position and a retracted position. FIGS. 10 and 11 depict only the blade **108a** in the extended position **174** and in the retracted position **176**, but each of the blades **108a**, **108b**, **108c** is movable between these positions.

[0096] In some examples, one of the blades **108** contacts objects (e.g., the small object **65**) as the objects enter the underside area (e.g., the underside area **118** depicted in FIG. 1) beneath the body **103**, causing the blade **108a** to move from the extended position **174** to or toward the retracted position **176**. Absent impact or contact with an object on the ground surface **50**, the blade **108a** is positioned to rotate throughout an extended tip radius **178** (see FIG. 10) corresponding to the tip radius of the blade in the extended position **174** as measured from the drive axis **130**. In the retracted position **176**, the blade **108a** rotates through a retracted tip radius **179** (see FIG. 10). In response to the impact and movement of the blade **108a**, the blade **108a** is positioned to rotate throughout a radius corresponding to the tip radius of the blade in a partially retracted position between the retracted position **176** and the extended position **174** (e.g., a radius between the extended tip radius **178** and the retracted tip radius **179**).

[0097] As the blade **108a** moves through the slot **122** from the fully extended position **174** and the fully retracted position **176**, the blade height **132** linearly increases with the distance that the blade **108a** travels through the slot **122** toward the fully retracted position **176**. Similarly, in some implementations, the tip radius of the blade **108a** also decreases linearly with the amount of rotation of the blade **108a** through the slot **122** toward the fully retracted position **176**.

[0098] As the blade 108a is rotating in its extended position 174, the blade 108a is able to avoid further contact with objects positioned in an outer region 175 defined by an outer radius corresponding to the extended tip radius 178 and an inner radius corresponding to the retracted tip radius 179. When the blade 108a contacts an object positioned in the outer region 175, the blade 108a retracts from the extended position 174 to a partially retracted position within the outer region 175. In some examples, the blade 108a retracts from the extended position 174 to the fully retracted position 176.

[0099] In some examples, the blade 108a avoids contact with the object in the outer region 175 by rising over the object. In some examples, if an object enters an inner region 177 defined by a radius corresponding to the retracted tip radius 179, the blade 108a is able to avoid further contact with the object by rising over the object. Even though the blade 108a cannot retract beyond the retracted tip radius 179, the blade 108a is able to rise high enough to clear the height of the object. Examples of these mechanisms for the blade 108a to avoid objects are described in greater detail herein, for example, with respect to FIGS. 14A to 14D and FIGS. 15A to 15D.

[0100] The controller 114 and the blade assembly 106 are configured such that the controller reduces the power to the actuator 112 driving the blade assembly 106 by the time any object enters the inner region 177. An object along the ground surface 50 in the forward direction 102 of the robot 100 that enters the inner region 177 contacts one of the blades 108 before entering the inner region 177. When one of the blades 108 contact the object, because the object contacting the blade 108 causes a force opposite the direction of rotation of the blade assembly 106, the blade assembly 106 and the actuator 112 experiences a decrease in rotational speed. The decrease in rotational speed of the actuator 112 is detectable by the controller 114, for example, using an encoder or other sensor attached to the actuator 112. The controller 114 includes, for example, a feedback speed control mechanism to maintain the speed of rotation of the actuator 112. The decrease in the detected rotational speed of the actuator 112 consequently causes the controller 114, implementing the feedback speed control mechanism, to increase power delivered to the actuator 112 of the robot 100 driving the blade assembly 106 to control the rotational speed to be within a predetermined range.

[0101] In some examples, the decrease in rotational speed occurs quickly because, as a blade of a blade assembly contacts an object, the impact on the blade is transferred unabated to the housing and then to an actuator driving the blade assembly. The force transfer between the blade and the actuator occurs quickly due to, for example, an absence of components to absorb or slow the transfer of the impact from the blade to the actuator. In other examples, the blades contact an object and are unable to move around or above the object as the blade assembly rotates. The actuator driving the blade assembly may stall due to the contact between the blades and the object. In some examples, a controller is able to detect a decreased rotational speed of the blade assembly and accordingly compensates by increasing the power delivered to the actuator driving the blade assembly. However, as the blades 108 are unable to maneuver about the object, the blades 108 remain in contact with the object, and the power delivered to the actuator 112 may continue to increase.

[0102] To enable the blades 108 to avoid contact with the object, as described herein, in response to impact with the object entering the underside area, the blades 108 move within the housing 120 from the extended position 174 to the retracted position 176. Because the blades are able to move through the slot 122 against the force of the spring 131, the force of the impact is absorbed by the spring 131. The impact therefore occurs over a greater distance, e.g., the length of the slot 122, thus decreasing the impulse force on the blade 108a. The decreased impulse force can reduce the risk of damaging the blade 108a.

[0103] The impact also occurs over a greater duration of time because the blade 108a initially travels through the slot 122. The greater duration of time for the impact allows the controller 114 to have a greater amount of time to detect that the rotational speed of the actuator 112 is decreasing. Upon detecting that the rotational speed is decreasing, the controller 114 responds by, for example, ceasing implementation of the feedback speed control mechanism and initiating a process to stop power delivery to the actuator 112. By decreasing the power delivered to the actuator 112, the controller 114 can mitigate a risk of damage to the actuator 112 due to excess power delivered to the actuator 112. In particular, the blades 108 are mounted in the housing such that, by the time the object has moved through the outer region 175 to the inner region 177, one of the blades 108 has contacted the object for a great enough duration of time to enable the controller 114 to detect the resulting decrease in the rotational speed of actuator 112. The controller 114 then reduces power to the actuator 112 so that the blades 108 do not continue rotating against the object.

[0104] In addition, the movement of the blades 108 through the slots 122 also provides the controller 114 with sufficient time to detect the contact with the object so that the controller 114 can reduce or cut power delivered to the drive wheels 110. As a result, any object that enters the inner region 177 is detected by the controller 114 before the grass cutting mobile robot 100 moves enough to cause the housing 120 of the blade assembly 106 to contact the object. As described herein, that contact may damage the actuator shaft 113. The ability of the controller 114 to inhibit this contact protects the actuator 112 from this damage.

[0105] In some implementations, the controller 114 detects an increase in power supplied to the actuator 112 to maintain the rotational speed of the actuator 112 and responds to the increase in the power supplied by stopping power delivery to the actuator 112. The increase in the power, for example, corresponds to a spike in power that indicates that one or more of the blades 108 has struck an object. In some examples, the controller 114 detects a mechanical shock on the blade assembly 106 and/or the blades 108 based on signals from an accelerometer coupled to the blades 108 and/or the housing 120 of the blade assembly 106. An increase in the measured acceleration of the actuator indicates to the controller 114 that the blades 108 and/or the housing 120 have contacted an object. The increase in the measured acceleration, for example, corresponds to a spike in the measured acceleration indicating the contact between a component of the blade assembly 106 and an object. The controller 114, in response, reduces the power supplied to the actuator or stops delivering power to the actuator 112.

[0106] As described herein, the bumper 104 and the blade assembly 108 each provides a mechanism to avoid damage

to the robot 100 that may be caused by contact with non-mowable objects. The controller 114 described herein, for example, uses a combination of the sensing systems associated with the bumper 104 and the blade assembly 108 to avoid damage to the blades 108, the actuator 112, and other components of the robot 100. In some examples, the robot 100 includes a sensor to detect that an object has contacted the bumper 104 and caused an upward movement of the bumper 104. The object, for example, causes a lift in the body 103, the drive wheels 110, and/or the caster wheels 111 of the robot 100. One or more sensors attached to the body 103, the drive wheels 110, and/or the caster wheels 111 generates an electrical that corresponds to an amount of the lift. The sensor is, for example, an accelerometer, a velocity sensor, a position sensor, a force sensor, or other appropriate sensor that is responsive to the object contacting the bumper 104 and causing an upward force on the body 103 and the bumper 104. The upward force is, for example, a result of an applied upward force directly on the bumper 104 causing relative motion between the bumper 104 and the body 103 or an upward force causing upward motion of the bumper 104 and the body 103 together.

[0107] In examples where the sensor is a force sensor, if the force detected during a mowing operation is higher than a threshold force, the controller 114 responds by discontinuing delivery of power to the drive wheels 110 and/or the actuator 112. If the force is below the threshold force, the controller 114 continues the mowing operation without adjusting the amount of power delivered. In some cases, the bumper 104 contacts the object, and the sensor does not detect a force above the threshold force. The robot 100 continues moving in the forward drive direction, which causes the blades 108 and/or the housing 120 to contact the object.

[0108] The movement to the retracted position 176 also enables the blades 108 to avoid further contact with the object as the blade assembly 106 continues to rotate. The movement of the blades 108 within the housing 120 enables the blades 108 to rotate into the housing 120 (decreasing the tip radius of the blades 108) and to move upward relative to the ground surface 50. The rotation of the blades 108 into the housing causes lateral movement of the blades 108 relative to the object so that the blades 108 avoid further contact with the object. The combination of the rotation of the blades 108 into the housing and the upward movement of the blades 108 in response to contact with the object prevents further contact between the blades 108 and the object.

[0109] The movement to the retracted positions causes the radius of the blade tips 173 to decrease by, for example, 20 to 40 millimeters (e.g., 20 to 30 millimeters, 30 to 40 millimeters, approximately 30 millimeters). In some implementations, the retracted tip radius 179 is 40% to 80% (e.g., 40% to 60%, 60% to 80%, 50% to 70%, approximately 50%, approximately 60%, approximately 70%) of the extended tip radius 178. In some examples, the extended tip radius 178 is between 8 and 12 centimeters (e.g., between 9 and 11 centimeters, approximately 10 centimeters), and the retracted tip radius 179 is between 4 and 8 centimeters (e.g., between 5 and 7 centimeters, approximately 6 centimeters). During operation, the blades 108 have a radius between the extended tip radius 178 and the retracted tip radius 179 (inclusive) depending on the amount of retraction of the blades 108 (e.g., due to contact or absence of contact with an object).

[0110] The upward movement of the blades 108 relative to the ground surface 50 causes an increase in the blade height 132 so that the blades 108 climb over the object. The blade height 132 increases by, for example, 5 to 15 millimeters (e.g., 5 to 10 millimeters, 10 to 15 millimeters, 6 to 14 millimeters, 7 to 13 millimeters, approximately 8 millimeters). In some examples, the blade height 132 of the blades 108 in the extended position 174 is between 30 millimeters and 50 millimeters (e.g., between 30 and 40 millimeters, between 35 and 45 millimeters, between 40 and 50 millimeters, approximately 35 millimeters, approximately 40 millimeters, approximately 45 millimeters). The blade height 132 of the blades 108 in the retracted position 176 is between 40 and 60 millimeters (e.g., between 40 and 50 millimeters, between 45 and 55 millimeters, between 50 and 60 millimeters, approximately 45 millimeters, approximately 50 millimeters, approximately 55 millimeters). The ratio of the blade height 132 in the retracted position 176 to the blade height 132 in the extended position 174 is, for example, 1.05 to 1.25 (e.g., 1.05 to 1.15, 1.10 to 1.20, 1.15 to 1.25, approximately 1.10, approximately 1.15, approximately 1.20).

[0111] With respect to the lateral movement of the blades 108 upon impact described herein, when the blade 108a travels toward the retracted position 176 from the extended position 174, as shown in FIG. 11, a first blade 108a moves through the slot 122 toward a second blade 108b and away from a third blade 108c. Initially, absent contact with objects on the ground surface 50, the blades 108 are equally spaced from one another. The blade tips 173 of the blades 108, in some examples, form 120 degree angles with one another. In some cases, the blade tips 173 are equidistantly spaced along a circumference through which the blade tips 173 are swept when the blade assembly 106 is rotated and the blades 108 are each in an extended position.

[0112] In some examples, when one of the blades 108a, 108b, 108c, e.g., the blade 108a, contacts an object, the blade 108a moves to a partially retracted position between the extended position 174 and the retracted position 176, thereby causing the blade 108a to become unequally spaced from the blades 108b, 108c. The angle between the blade tip 173a of the blade 108a (in the retracted position 176) from the blade tip 173b of the blade 108b (in an extended position) is, for example, 30 to 70 degrees (e.g., between 30 and 50 degrees, between 40 and 60 degrees, between 50 and 70 degrees, approximately 40 degrees, approximately 50 degrees, approximately 60 degrees). The angle between the blade tip 173a of the blade 108a (in the retracted position 176) and the blade tip 173c of the blade 108c (in an extended position) is, for example, 150 to 240 degrees (e.g., between 150 and 180 degrees, between 180 and 210 degrees, between 210 and 240 degrees, approximately 165 degrees, approximately 195 degrees, approximately 225 degrees). In some implementations, the angle between the blade tip 173a of the blade 108a and the blade tip 173b of the blade 108b (in the extended position) decreases by 25% to 40% (e.g., 25% to 35%, 30% to 40%, approximately 30%, approximately 35%) as the blade 108a moves from the extended position 174 to the retracted position 176.

[0113] Furthermore, moving from the extended position 174 to the retracted position 176, the blade 108a travels through the slot 122 such that the blade 108a moves toward the drive axis 130. The third portion 139c moves inward toward the drive axis 130 such that a tip radius defined by

the blade tip **139d** and the drive axis **130** reduces as the blade **108a** travels from the extended position **174** to the retracted position **176**. As described herein, the extended tip radius **178** when the blade **108a** is in the extended position **174** is greater than the retracted tip radius **179** when the blade **108a** is in the retracted position **176**.

[0114] With respect to the upward movement of the blades **108** described herein, the blade **108a** also travels through the slot **122** such that the blade **108a** moves upward relative to the ground surface **50** toward the body **103**. In particular, as the blade **108a** moves toward the drive axis **130**, the third portion **139c** moves upward relative to the ground surface **50** toward the body **103**. Because the blade **108a** is mounted to the housing through the opening **157** (as shown in FIG. 9A), the opening **157** of the blade **108a** does not move relative to the housing **120**. As shown in FIG. 12, the blade **108a** is in the retracted position **176**. The third portion **139c** of the blade **108a** in the retracted position **176** has a retracted blade height **180** that is greater than an extended blade height **181** of the blades **108b**, **108c**, which are both in extended positions.

[0115] FIGS. 14A to 14D schematically depict a position of the blade **108a** when the blade **108a** contacts an object **80** and consequently travels within the housing **120** to rise over the object **80** to avoid being stuck in contact with the object **80**. FIGS. 14A to 14D show sequential side perspective views of the blade **108a** as the blade assembly **106** rotates in a first direction **182** about the drive axis **130** and the blade **108a** contacts the object **80**.

[0116] In FIG. 14A, the blade **108a** initially contacts the object **80** as the blade assembly **106** rotates in the first direction **182** about the drive axis **130**. The blade **108a** is initially at a blade height **186a** above the ground surface **50** and is initially in the extended position. The initial contact causes a force on the blade **108a** in a second direction **184** that opposes the first direction **182**. The contact with the object **80** causes the blade **108a** to overcome the spring force of the spring and thereby causes the object to rotate in the second direction **184** toward the retracted position relative to the housing **120**. The rotation in the second direction **184** causes the blade **108a** to move upward relative to the ground surface **50**.

[0117] In FIG. 14B, the blade assembly **106** continues rotating in the first direction **182**. However, because of the object **80**, the blade **108a** rotates in the second direction **184** and travels through the slot **122** while remaining in contact with the object **80**. The continued contact with the side of the object **80** causes the blade **108a** to travel through the slot **122** toward the retracted position. The blade height **186b** increases because the blade **108a** is tilted at an angle relative to the ground surface **50**. The blade **108a** moves upwards relative to the ground surface **50** toward the body **103** of the robot **100** in response to continued contact with the object and rotation of the blade assembly **106**.

[0118] The rotation of the blade **108a** within the slot **122** away from its initial extended position causes the spring (e.g., the spring **131**) to twist. The spring, as the amount of twisting increases, biases the blade **108a** back toward the initial extended position, but the blade **108a** is unable to return to the extended position while the blade **108a** is contact with the object **80**. As a result, the blade **108a** remains in contact with the object **80** in a partially retracted position between the initial extended position and the fully retracted position.

[0119] In FIG. 14C, the blade assembly **106** continues rotating in the first direction **182**. Because the blade **108a** travels through the slot **122** and consequently experiences an increase in its blade height, the blade **108a** reaches a blade height **186c** sufficient to climb over the object **80**. In particular, the blade **108a** reaches a blade height **186c** that is greater than an object height. While the blade **108a** travels across the top of the object **80**, if the object **80** has a flat top surface, the blade **108a** remains in relatively the same position within the slot **122**. The spring continues to bias the blade **108a** back toward the initial extended position, but the top of the object **80** limits the movement of the blade **108a** in the direction toward the initial extended position.

[0120] In FIG. 14D, the blade assembly **106** continues rotating in the first direction **182**. The blade **108a** has travelled across the length of the top of the object **80** and thereby is able to return toward its initial position within the slot **122** depicted in FIG. 14A. The spring biases the blade **108a** back toward the initial extended position. Because the object **80** no longer blocks the blade **108a**, the biasing force of the spring is able to cause rotation of the blade **108a** back toward the initial extended position. In some examples, another blade **108b** contacts the object after the blade **108a** loses contact with the object **80**.

[0121] In contrast to FIGS. 14A to 14D where the blade **108a** maneuvers beyond an object **80** by climbing over the object, the blade **108a** depicted in FIGS. 15A to 15D beyond an object **90** by lateral movement of the blade **108a** relative to the object. In particular, FIGS. 15A to 15D schematically depict a position of the blade **108a** when the blade **108a** contacts an object **80** and consequently travels within the housing **120** to maneuver laterally around the object **80** to avoid being stuck in contact with the object **80**. FIGS. 15A to 15D show sequential top views of the blade **108a** as the blade assembly **106** rotates in a first direction **190** about the drive axis **130** and the blade **108a** contacts the object **90**.

[0122] In FIG. 15A, the blade **108a** initially contacts the object **90** as the blade assembly **106** rotates in the first direction **190** about the drive axis **130**. The blade **108a** is initially in the extended position and at a blade tip radius **194a**. The initial contact causes a force on the blade **108a**. The force causes the blade to rotate in a second direction **192** about the mounting axis **135** relative to the housing **120**. The second direction **192** of movement opposes the rotation of the blade **108a** (with the blade assembly **106**) in the first direction **190**. The contact with the object **90** causes the blade **108a** to move toward the retracted position, therefore causing the blade **108a** to move toward another blade and inward relative to the drive axis **130**.

[0123] In FIG. 15B, the blade **108a** rotates in the second direction **192** relative to the housing **120** to cause blade **108a** to begin retracting. The blade **108a** rotates within the slot (not shown) relative to the housing **120** such that the blade tip radius **194b** decreases from the blade tip radius **194a** shown in FIG. 17A. The blade tip radius **194b** is positioned inward toward the drive axis **130** relative to the blade tip radius **194a**. The rotation of the blade **108a** within the housing **120** away from its initial extended position **196** causes the spring (e.g., the spring **131**) to twist. The spring, as the amount of twisting increases, biases the blade **108a** back toward the initial extended position **196**, but the blade **108a** is unable to return to the extended position **196** while the blade **108a** is contact with the object **90**. As a result, the blade **108a** remains in contact with the object **90** in a

partially retracted position between the extended position 196 and the fully retracted position.

[0124] In FIG. 15C, the blade assembly 106 continues rotating. The blade 108a has rotated a sufficient amount within the housing 120 toward the retracted position such that the blade tip radius 194c is less than a distance between the object 90 and the drive axis 130. As shown in FIG. 15D, once the blade 108a has collapsed enough to clear the object 90, the spring biases the blade 108a back toward the extended position 196. In this regard, the blade 108a is rotating with the rotation of the blade assembly 106 in the first direction 190 about the drive axis 130 and is additionally rotating relative to the housing 120 about the mounting axis 135.

[0125] In some implementations, the object 80 has a height that the blade 108a is unable to clear, or the object 90 is positioned sufficiently close to the drive axis 130 to prevent the blade 108a from maneuvering about the object 90. In particular, the blade 108a moves from its initial extended position to the its fully retracted position. Even in the fully retracted position, the blade tip radius is too large for the blade 108a to move laterally around the object to avoid the object, or the blade height is too small for the blade 108a to climb over the object to avoid the object.

[0126] In these cases, the blade 108a moves through the slot 122 from the initial extended position to the fully retracted position as the actuator 112 rotates the blade assembly 106. During this movement through the slot 122, the blade 108a contacts the object 80, 90, which imparts a force on the blade assembly 106 that would cause the blade 108a to move in a direction opposite the rotation of the blade assembly 106. The force is therefore, for example, in opposition to the torque that the actuator 112 applies on the blade assembly 106. The force decreases the speed of the blade assembly 106, and the controller 114, using the feedback speed controls, increases an electrical current delivered to the actuator 112 to maintain the rotational speed of the blade assembly 106. The controller 114 then detects this increase in the electrical current delivered to the actuator 112. Once the increase is beyond a predetermined threshold, the controller 114 reduces the electrical current delivered to the actuator 112 to avoid delivering an amount of electrical current beyond the specified maximum allowed current of the actuator 112. In some examples, the controller 114 disables the feedback speed controls so that any decrease in rotational speed of the actuator 112 does not cause the controller 114 to deliver a greater amount of power to the actuator 112.

[0127] Because the blade 108a is able to move through the slot 122 against the force of the spring 131, the impact with the object 80, 90 generates a force that is absorbed by the spring 131. The impact therefore occurs over a greater distance, e.g., the length of the slot 122, thus decreasing the impulse force on the blade 108a. Decreasing the impulse force reduces the risk of damaging the blade 108a.

[0128] In addition, because the spring 131 initially absorbs the force, the blade assembly 106 does not experience a sudden decrease in rotational speed due to the impact with the object but rather experiences a gradual decrease in rotational speed. The gradual decrease provides a greater amount of time for the controller 114 to detect the increased current delivered to the actuator 112 to compensate for the gradual decrease in the rotational speed.

[0129] For the actuator 112 to rotate the blade assembly 106 as described in the examples herein, the blade assembly 106 is mounted onto the actuator 112 such that the housing 120 of the blade assembly 106 is rotationally constrained to the actuator 112. As shown in FIG. 17A, to rotationally constrain the housing 120 of the blade assembly 106 to the actuator 112, the shaft 113 of the actuator 112 mates with a splined cavity 153 defined by the housing 120. Referring also to FIG. 3, when the blade assembly 106 is mounted to the actuator shaft 113, the splined cavity 153 interfaces with a splined portion 154 of the actuator shaft 113. The splined cavity 153 aligns the actuator shaft 113 with the blade assembly 106. The splined cavity 153 receives and mates with the splined portion 154 of the shaft 113 to limit relative rotation between the actuator shaft 113 and the blade assembly 106 when the blade assembly 106 is properly mounted to the shaft 113.

[0130] To inhibit relative translation of the housing 120 and the shaft 113 of the actuator 112, the blade assembly 106 includes the retention clip 129 (FIG. 16) that forms a (quick release) retention mechanism, as depicted in FIG. 17A. The retention mechanism facilitates attachment of the blade assembly 106 to the shaft 113 of the actuator 112 of the robot 100 so as to translationally constrain the blade assembly 106 to the actuator 112. In particular, a groove 155 of the splined portion 154, as described herein, engages with the retention clip 129 to translationally constrain the blade assembly 106 to the actuator shaft 113.

[0131] The retention mechanism includes the retention clip 129, which includes a first arm 156a and a second arm 156b (collectively referred to as arms 156) connected by a tab portion 158. The housing 120 includes the confinement plate (e.g., the confinement plate 128 shown in FIG. 6) that confines the retention clip 129 between the confinement plate and the housing 120. The housing 120 further defines upwardly extending posts 162a, 162b and a support boss 160. The confinement plate and the housing 120 confine the retention clip 129 such that the tab portion 158 and the arms 156 are confined along a plane.

[0132] An inset portion 159 within the housing 120 enables the user to manually pull the tab portion 158. The confinement plate and the inset portion 159 of the housing 120 allow only the tab portion 158 to be accessed externally by the user. The inset portion 159, in some cases, is counterbalanced by mass removed from the housing 120 on an opposite lateral portion 161 of the housing 120 such that the mass of blade assembly 106 is axisymmetrically distributed about the drive axis 130. For example, the housing 120 is hollow in the opposite lateral portion 161 such that the absence of material of the inset portion 159 is balanced by an absence of material in the opposite lateral portion 161.

[0133] The arms 156 are slidable within the housing 120 along the plane. As described herein, the user applies a pull force 172 to enable release of the retention clip 129 from the actuator 112. The posts 162a, 162b extend into the plane such that the arms 156 abut and slide along the posts 162a, 162b. The support boss 160 also extends into the plane in which the retention clip 129 is confined. Each of the arms 156 includes a support portion 163a, 163b, a retaining portion 164a, 164b, a step portion 167a, 167b, a first stop portion 166a, 166b, a sliding portion 168a, 168b, and a second stop portion 170a, 170b. The support portions 163a, 163b, connecting the tab portion 158 to the arms 156, extend away from the tab portion 158 toward the drive axis 130.

The support portions **163a**, **163b**, for example, are substantially parallel linear portions that extend along the axis of the pull force **172**.

[0134] The retaining portions **164a**, **164b** of the arms **156** are the portions of the arms **156** proximate to the drive axis **130**, and hence the portions mounted within the groove **155** of the actuator shaft **113** when the blade assembly **106** is mounted to the actuator shaft **113**. The retaining portions **164a**, **164b** extend from the support portions **163a**, **163b**. In some examples, the retaining portions **164a**, **164b** extend along the axis of the pull force **172** and include concave portions **165a**, **165b** that have radii of curvatures that accommodate the radii of curvature of the groove **155** of the splined portion **154**. The radii of curvature of the concave portions **165a**, **165b** and the groove **155** of the splined portion **154** are, for example, between 2 millimeters and 6 millimeters (e.g., between 2 and 4 millimeters, between 4 and 6 millimeters, approximately 3 millimeters, approximately 4 millimeters, approximately 5 millimeters).

[0135] The step portions **167a**, **167b** extend from the retaining portions **164a**, **164b** away from the drive axis **130**, thus forming angles with the retaining portions **164a**, **164b**. The first stop portions **166a**, **166b** extend from the step portions **167a**, **167b** along the axis of pull force **172**. The sliding portions **168a**, **168b** extend and are angled away from the first stop portions **166a**, **166b**. The sliding portions **168a**, **168b** extend toward one another. The second stop portions **170a**, **170b** extend from the sliding portions **168a**, **168b** toward the drive axis **130**. In some implementations, the second stop portions **170a**, **170b** are substantially linear and parallel and extend along the axis of the pull force **172** toward the drive axis **130**.

[0136] The extension of the step portions **167a**, **167b** away from the drive axis **130** enables the first stop portions **166a**, **166b** to be positioned farther from one another while enabling the retaining portions **164a**, **164b** to be positioned closer to one another. The step portions **167a**, **167b** accordingly are sized and dimensioned to define the distance between the first stop portions **166a**, **166b** and the distance between the retaining portions **164a**, **164b**. The retaining portions **164a**, **165b** are positioned such that, in a retaining position (FIG. 17A), the concave portions **165a**, **165b** engage the groove **155** of the actuator shaft **113**, and in a release position (FIG. 17B), the concave portions **165a**, **165b** do not engage the groove **155** of the actuator shaft **113**. The distance between the first stop portions **166a**, **166b**, in turn define the lengths of the sliding portions **168a**, **168b**, which at least in part determine the amount of separation that occurs due to the movement of the retaining clip **129** from the retaining position (FIG. 17A) to the release position (FIG. 17B).

[0137] In some examples, the lengths of the support portions **163a**, **163b** are between 4 and 6 millimeters. The lengths of the retaining portions **164a**, **164b** are between, for example, 7 and 11 millimeters. The lengths of the step portions **167a**, **167b** are between, for example, 0.5 and 3 millimeters. The angle formed between the step portion **167a**, **167b** and the retaining portion **164a**, **164b** is, for example, between 120 and 150 degrees. The lengths of the first stop portions **166a**, **166b** are, for example, between 1 and 4 millimeters. The lengths of the sliding portions **168a**, **168b** are, for example, between 2 and 6 millimeters. The angle formed between the sliding portion **168a**, **168b** and the first stop portion **166a**, **166b** is, for example, between 130

and 170 degrees. The lengths of the second stop portions **170a**, **170b** are, for example, between 1 and 4 millimeters.

[0138] The alignment mechanism between the actuator shaft **113** and the blade assembly **106**, while described as an interface between the splined cavity **153** and the splined portion **154**, is a lock-and-key, an offset boss, or other appropriate mechanism to rotationally constrain the actuator shaft **113** to the blade assembly **106**. The portion **154**, for example, includes one or more longitudinally extending posts that mate with cavities defined by the housing **120** of the blade assembly **106**. The posts mated with the cavities inhibit relative rotational movement between the housing **120** and the shaft **113**. In some cases, the shaft **113** includes a radially extending flange rotationally asymmetric about the drive axis **130**. The radially extending flange inserts into a corresponding cavity in the housing **120** to rotationally couple the blade assembly **106** to the actuator shaft **113**.

[0139] FIG. 17A shows the retention clip **129** in the retaining position. In the retaining position, the arms **156** contact the support boss **160** at one end and contact the posts **162a**, **162b** at the other end. In particular, the support portions **163a**, **163b** abut the support boss **160**, and the first stop portion **166a**, **166b** of each arm **156** abuts the corresponding post **162a**, **162b**. If the splined portion **154** of the actuator shaft **113** has been inserted into the splined cavity **153**, the retaining portion **164a**, **164b** of each of the arms **156** interfaces with the splined portion **154** to prevent relative translation (e.g., relative vertical movement) between the blade assembly **106** and the shaft **113**. For example, in this implementation, the retaining portions **164a**, **164b** are positioned within the groove **155** of the splined portion **154** to lock the housing **120** and the blade assembly **106** to the actuator **112**.

[0140] The retention clip **129** is movable between the retaining position (FIG. 17A) and the release position (FIG. 17B). When a pull force **172** applied on the tab portion **158** is directed along the plane to which the retention clip **129** is confined and is directed outward from the drive axis **130**, the arms **156** slide along the housing **120** to increase a separation distance between the retaining portions **164a**, **164b**. The user, for example, applies the pull force **172** on the tab portion **158** by pulling the tab portion **158** away from the drive axis **130**, thereby causing the retaining portions **164a**, **164b** to move away from one another. The increased distance between the retaining portions **164a**, **164b** enables the retaining portions **164a**, **164b** to be removed from the groove **155** of the actuator shaft **113** such that the actuator **112** is translatable relative to the housing **120**.

[0141] During application of the pull force **172**, the support portions **163a**, **163b** remain in sliding contact with the support boss **160**. As a result, the arms **156** deform outwardly relative to the drive axis **130**, with the support portions **163a**, **163b** remaining substantially undeformed. The pull force **172** causes the sliding portions **168a**, **168b** to slide along the posts **162a**, **162b**, in turn causing the retaining portion **164a**, **164b** of the arms **156** to deform outwardly relative to the drive axis **130**. With continued application of the pull force **172**, the sliding portions **168a**, **168b** continue sliding along the posts **162a**, **162b** until the second stop portions **170a**, **170b** abut the posts **162a**, **162b**. During this sliding motion, the retaining portions **164a**, **164b** continue to deform outwardly relative to the drive axis **130**.

[0142] When the second stop portions **170a**, **170b** abut the posts **162a**, **162b**, the arms **156** are in the release position

(FIG. 17B). In the release position, the retaining portions **164a**, **164b** are no longer positioned within the groove **155** of the splined portion **154**. If the blade assembly **106** was mounted to the actuator **112**, when the retention clip **129** is in the release position, the blade assembly **106** is no longer locked to the actuator **112**. The blade assembly **106** is translatable relative to the actuator **112** such that the blade assembly **106** can be dismounted from the actuator **112**.

[0143] In a retaining position as depicted in FIG. 17A, the first stop portions **166a**, **166b** are positioned between, for example, 7 and 13 millimeters (e.g., between 7 and 9 millimeters, between 9 and 11 millimeters, between 11 and 13 millimeters, approximately 8 millimeters, approximately 10 millimeters, approximately 12 millimeters) away from one another. The retaining portions **164a**, **164b** are positioned between, for example, 6 and 12 millimeters (e.g., between 6 and 8 millimeters, between 8 and 10 millimeters, between 10 and 12 millimeters, approximately 7 millimeters, approximately 9 millimeters, approximately 11 millimeters). Because the sliding portions **168a**, **168b** extend toward one another, in some examples, in the retaining position (FIG. 17A) of the retention clip **129**, the second stop portions **170a**, **170b** are adjacent one another. The second stop portions **170a**, **170b** are, for example, between 1 millimeter and 1.5 millimeters away from one another (as measured from a longitudinal axis of the second stop portion **170a** to a longitudinal axis of the second stop portion **170b**). In some examples, the second stop portions **170a**, **170b** are contacting one another when the retention clip **129** is in the retaining position (FIG. 17A).

[0144] In the release position as depicted in FIG. 17A, the first stop portions **166a**, **166b** are positioned between, for example, 12 and 18 millimeters (e.g., between 12 and 14 millimeters, between 14 and 16 millimeters, between 16 and 18 millimeters, approximately 13 millimeters, approximately 15 millimeters, approximately 17 millimeters) away from one another. The retaining portions **164a**, **164b** are positioned between, for example, 10 and 16 millimeters (e.g., between 10 and 12 millimeters, between 12 and 14 millimeters, between 14 and 16 millimeters, approximately 11 millimeters, approximately 13 millimeters, approximately 15 millimeters) away from one another. The second stop portions **170a**, **170b** are, for example, 5 to 7 millimeters away from one another.

[0145] When the retention clip **129** is moved from the retaining position (FIG. 17A) to the release position (FIG. 17B), in some implementations, the distance between the first stop portions **166a**, **166b** increases by 50% to 150% (e.g., 50% to 100%, 100% to 150%). In some cases, the distance between the retaining portions **164a**, **164b** increases by 40% to 80% (e.g., 40% to 60%, 60% to 80%). In some examples, the distance between the second stop portions **170a**, **170b** increases by 300% to 700% (e.g., between 300% and 500%, between 500% and 700%).

[0146] When the first stop portions **166a**, **166b** contact the support posts **162a**, **162b**, the arms **156** extend substantially parallel to the axis of the pull force (e.g., the support portions **163a**, **163b**, the first stop portions **166a**, **166b**, and the second stop portions **170a**, **170b** extend substantially parallel to the axis of the pull force **172**). The support portions **163a**, **163b**, the first stop portions **166a**, **166b**, and the second stop portions **170a**, **170b**, for example, each form an angle between 0 and 2.5 degrees with the axis of the pull force **172**. When the arms **156** are in a fully deformed

position (e.g., when the second stop portions **170a**, **170b** contact the support posts **162a**, **162b**, as shown in FIG. 17B), the arms **156** deform at an angle relative to the axis of the pull force **172**. The angle when the arms **156** are deformed is, for example, between 5 and 15 degrees (e.g., between 7 and 13 degrees, between 9 and 11 degrees, approximately 8 degrees).

[0147] The arms **156** are formed of a resilient material, such as, for example, aluminum, stainless steel, acetal, or other resilient material. As a result, when the pull force **172** is released, the retention clip **129** returns to the retaining position (FIG. 17A). In some implementations, the arms **156** are further coupled to a spring or other resilient member that biases the arms **156** toward the retaining position.

[0148] When the retention clip **129** locks into the groove **155**, in some examples, the retention clip **129** contacts the shaft **113** and generates an audible and tactile indication that the retention clip **129** is properly seated into the groove **155**. The audible indication is, for example, a clicking noise that indicates to the user that blade assembly **106** is coupled to the actuator **112**. In some cases, the housing **120** includes one or more protrusions that contact the arms **156** of the retention clip **129** as the retention clip **129** moves to the retaining position (FIG. 17A). The contact between the protrusions and the arms **156** generates an additional audible indication that the retention clip **129** is in the retaining position (FIG. 17A). In further examples, the housing **120** includes one or more protrusions that contact the arms **156** as they move into the release position (FIG. 17B), thereby enabling yet another audible indication that informs a user that the retention clip **129** has been released.

[0149] In an alternate exemplary implementation, the blade assembly **300** of FIGS. 19A through 24 includes a spring loaded coupling latch **329**, **329a**, **329b**, **329c** for locking the blade assembly to the shaft **113** of the actuator **112**, thereby enabling the blade assembly **300** and the shaft **113** to jointly rotate about a drive axis **130** relative to the body **103** of the mobile robot **100**.

[0150] Like the embodiment of FIGS. 3 through 15D, the blade assembly **300** includes a housing **320** to hold the blades **308**, **308a**, **308b**, **308c** (collectively referred to as blades **308** and interchangeably referred to as blade **308**). While three blades **308**, **308a**, **308b**, **308c** are shown, in some examples, one, two, four, or more blades are mounted in the blade assembly **300**. The housing **320** is, for example, a cylindrical housing. The housing **320** includes slots **322**, **322a**, **322b**, **322c** (collectively referred to as slots **322** and interchangeably referred to as slot **322**) formed between an upper housing **324** and a lower housing **326** that are connected to form the housing **320** and to define the slots **322** in which the blades **308** are mounted. The slots **322** extend between finger wells **350**, **350a**, **350b**, **350c** (collectively referred to as finger wells **350** and interchangeably referred to as finger well **350**) that accommodate human fingers intentionally pressing push tabs **330**, **330a**, **330b**, **330c** (collectively referred to as push tabs **330** and interchangeably referred to as push tab **330**) disposed within each finger well for unlocking the blade assembly **300** from the shaft **113**. The push tabs **330** are located within the periphery of the housing **320** such that they are protected from accidental application of force by incidental contact with external objects and such that they are protected from accidentally snagging on foreign objects with which they come into contact.

[0151] The blades 308 also move through the slots 322 in response to impact with objects on the ground surface 50. In some examples, as shown in FIG. 19A, the slots 322 include widened portions 322a to accommodate the blades 308 in their fully retracted positions. The slots 322 are also inclined along the cylindrical housing so that the slots 322 rise as they extend through the housing, thereby enabling the blades 308 to rise as they move through the housing. As shown in FIGS. 20 through 24, each blade 308 is mounted on a pivot shaft 341 of a pivot pin 340 in the housing 320 such that each blade 308 is rotatable relative to the housing 320 about a mounting axis 335 defined by the pivot shaft 341. For example, as shown in FIGS. 19A and 21, as the blade 308a rotates about the mounting axis 335a relative to the housing 320, e.g., in response to an impact force on the blade, the blade 308a moves through the corresponding slot 322a.

[0152] The housing 320 further includes a confinement plate 328 that cooperates with the upper housing 324 to align the actuator 112 (not shown) of the robot 100 to the blade assembly 300. In implementations, as shown in the analogous embodiment of FIG. 3, the confinement plate 328 and the upper housing 324 rotationally couple the actuator 112 to the blade assembly 300. In other implementations, the confinement plate 328 does not interface with the drive shaft 113 in normal operation and does not transfer rotational torque from the blade to the drive shaft 113. The shaft 113 coupled to the actuator 112 interacts with a coupling latch 329, described in greater detail herein, to lock the actuator 112 to the housing 320. When the actuator 112 is locked to the housing 300, relative translation between the actuator 112 and the housing 320 is inhibited, thereby enabling the blade assembly 300 and the shaft 113 of the actuator 112 to jointly rotate about a drive axis 130 relative to the body 103.

[0153] Similar to the embodiment of FIGS. 7A and 7B, as shown in FIG. 21, the blade assembly 300 includes a mounting axis 335, 335a, 335b, 335c, (collectively referred to as mounting axes 335 and interchangeably referred to as mounting axis 335) for each of the blades 308, 308a, 308b, 308c that is substantially non-parallel to the drive axis 130. The drive axis 130 is, for example, perpendicular to a horizontal ground surface 50, while the mounting axis 335 is angled relative to the drive axis 130. The angle between the mounting axis 335 and the drive axis 130 is, for example, is between, for example, 5 and 10 degrees (e.g., between 6 and 9 degrees, 7 and 8 degrees, approximately 7.5 degrees); however, as described herein, angles other than these can be used.

[0154] Absent impact or contact between objects on the ground surface 50 and the blades 308, the actuator 112 causes blade tips 373, 373a, 373b, 373c (collectively referred to as blade tips 373 and interchangeably referred to as blade tip 373) to rotate within a plane parallel to and above the ground surface 50. Upon impact or contact between the blades 308 and the objects, the blades 308 rotate relative to the housing 320 to cause the blade tips 373 to rotate within a plane angled to the ground surface 50. The blade tips 373 therefore change in height relative to the ground surface 50 as they rotate relative to the housing 320 of the blade assembly 300. The angle between the plane of rotation of the blade tips 373 relative to the housing 320 and the plane of rotation of the blade tips 373 due to the rotation of the actuator 112 is between, for example, 5 and 10 degrees (e.g., between 6 and 9 degrees, 7 and 8 degrees, approximately 7.5 degrees); however, as described herein, angles

other than these can be used. The blades 308 rotate such that they move inwardly toward the housing 320 and rise away from the ground surface 50. As the blade tips 373 rise away from the ground surface 50, they are configured to increase up to a height between, for example, 5 and 15 millimeters (e.g., between 5 and 10 millimeters, 10 and 15 millimeters, 6 and 14 millimeters, 7 and 13 millimeters, approximately 8 millimeters).

[0155] As shown in FIG. 21, the blade 308a is mounted on the housing 320 at a tilt angle 137 relative to the ground surface 50. The tilt angle of the blade 308a enables the blade 308a to move in an upward trajectory as the blade 308a rotates relative the housing 320 within the slot 322. In this example, the tilt angle corresponds to the angle formed between the mounting axis 335 and the drive axis 130. The tilt angle 137 is between, for example, 5 and 10 degrees (e.g., between 6 and 9 degrees, 7 and 8 degrees, approximately 7.5 degrees); however, angles other than these may be used as the tilt angle. For example, a greater tilt angle increases the height that the blade 308a rises as the blade 308a moves within the corresponding slot 322a (see FIG. 19A). In other examples, a lower tilt angle in combination with a longer slot increases the distance travelled by the blade 308a through the slot 322a without decreasing the maximum height increase of the blade 308a as the blade 308a moves to the retracted position.

[0156] Because the housing 320 is cylindrical, the slot 322a is inclined to enable the blade 308a at the tilt angle 137 to rotate in the upward trajectory relative to the housing 320 through the housing 320. Each of the slots 322, for example, is angled to accommodate the tilt angle 137 of the blade 308. Each slot 322 extends from proximate the mounting axis 335 away from the mounting axis 335 upward in the housing 320. Each slot 322 inclines upward toward the body 103 away from the ground surface 50 to form an angle with the horizontal ground surface 50. The angle between the slot and the ground surface 50 corresponds to the tilt angle 137 of the blade 308. The blades 308 accordingly are rotatable through the slot 322 without contacting a wall surface of the housing 120 defining the slot 322.

[0157] As shown in FIGS. 20 through 24, the blade assembly 300 further includes springs 331, 331a, 331b, 331c (collectively referred to as springs 331 and interchangeably referred to as spring 331) mounted in the housing 320. For each spring 331, one end of the spring 131 is rotationally constrained to the blade 308 and another end of the spring is restrained to the coupling latch 329. As shown in FIGS. 21 through 24, the spring 331 includes a lower end 332b coupled to the coupling latch 329 and an upper end 332a coupled to the blade 308. The upper end 332a of the spring 331 is mounted into, for example, an opening 351 on the blade 308.

[0158] Because the lower end 332b is coupled to the coupling latch 329 (e.g., the lower end 332b is rotationally constrained to coupling latch 329) and the upper end is coupled to the blade 308, motion of either or both of the coupling latch 329 and the blade 308 causes the spring 331 to twist about the twist axis 336. The blades 308 are spring-mounted within the housing 320 such that the blades 308 are biased into the position as shown in FIGS. 19A and 22 when the coupling latch 329 is full engaged with the shaft 113. The spring 331 is positioned such that a twist axis 336 of the spring 331 coincides with the mounting axis 335. Both the twist axis 336 and the mounting axis 335 are angled

relative to the drive axis 130. Each blade 308, 308a, 308b, 308c, has a dedicated spring 331, 331a, 331b, 331c and therefore rotates independently from the other blades.

[0159] As shown in FIGS. 22 through 25, each finger tab 330 is an extension of a coupling latch 329 that includes a pivot arm 333 mounted to the pivot shaft 341 on which the blade 308 is mounted. The coupling latch 329 includes an engagement end 334 configured to press against the drive shaft 113 in tension loaded by the spring 331. The lower end 332b of the spring 331 is connected to the coupling latch 329 at a connection tab 337 positioned near the center of gravity 336 of the coupling latch 329 and between the finger tab 330 and the pivot arm 333, adjacent the periphery of the housing 320. In embodiments, the finger tab 330 is formed from a monolithic structural element into which the pivot arm 333, engagement end 334, and connection tab are formed. The coupling latch 329 maybe, for example, stamped, cast, injection molded, or printed as a unitary piece having these components.

[0160] In implementations, pressing the finger tab 330 rotates the coupling latch 329 around the pivot shaft 341 such that the spring 331 twists in compression and the engagement end 334 disengages from the drive shaft 113. In embodiments, the engagement end 334 has a radius of curvature matching the radius of curvature of the drive shaft 113, and the drive shaft includes a groove, undercut, or other geometry for receiving the engagement end 334 to prevent removal of the blade assembly 300 from the drive shaft 113. The blade assembly 300 rotates at a high frequency of revolutions, for example 1000 to 6000 RPM (e.g., 1000 RPM, 2000 RPM, 3000 RPM, 4000 RPM, 5000 RPM, 6000 RPM). Because the center of gravity 336 is on the opposite side of the rotation axis 335 from the engagement end 334, centrifugal force pulls each push tab 330 outward and pushes the engagement end 334 of the coupling latch 329 against the drive shaft 113 thereby ensuring that the engagement end 334 will not disengage from the drive shaft 113 during rotation.

[0161] Additionally, because the blade 308 is connected to an upper end 332a of the spring 331 and the coupling latch 329 is connected to a lower end 332b of the spring, rotation of the blade 308 relative to the housing 320 away from its initial position through the slot 322 causes the spring to increase the spring force pressing the coupling latch into the drive shaft 113 further preventing the coupling latch 329 from disengaging from the drive shaft 113. For example, when the blade 308 encounters an obstacle and retracts within the housing and through the slot 322, the spring 331 presses the engagement end 334 into the drive shaft. The spring 331 is, for example, a 1 to 5 lb-in (e.g., 1 to 2.5 lb-in, 2.5 to 5 lb-in, approximately 2.5 lb-in, 0.11 to 0.57 N-m, 0.11 to 0.28 N-m, 0.28 to 0.57 N-m, approximately 0.28 N-m) torsional spring; however, torsional springs having other performance characteristics may be used. For example, a torsional spring with greater strength increases the amount of energy absorbed by the spring when the blade 308 is rotated to the fully retracted position and increases the amount of force required to cause the blade 308 to move to the fully retracted position. A torsional spring with lower strength decreases the amount of energy absorbed by the spring when the blade 308 is rotated to the fully retracted position and decreases the amount of force required to cause the blade 308 to move to the fully retracted position.

[0162] In implementations, the blade assembly 300 has three finger wells 350 forming indentations in the housing 320. In implementations, these finger wells 350 are equidistantly spaced or spaced unevenly in an ergonomic pattern to enable a user to grasp the housing 320 while pressing the finger tab 350 in each finger well and rotating the associated coupling latch 320 away from the drive shaft 113 of the mobile robot. Once the coupling latches rotate so that they no longer contact the drive shaft 113, a user can pull the blade assembly free of the drive shaft 113 thereby disengaging the blade assembly from the robot 100 for maintenance or replacement. The drive shaft 113, coupling latch 329 and confinement plate 328 are designed in such a way that the user may reattach the blade assembly by pressing it onto the drive shaft 113, with or without activating the finger tabs 330. Alternatively, a user may reattach the blade assembly 300 to the drive shaft 113 by pressing the push tabs within the finger wells to rotate the engagement end 334 of each coupling latch outward toward the outer periphery of the housing such that a mounting cavity 353 (FIG. 25) of the blade assembly 300 may receive the drive shaft 113 therein. Releasing the finger tabs enables the spring 331 to rotate the coupling latch 329 into forced engagement with the drive shaft.

[0163] One or more controllers (e.g., the controller 114) may control all or part of the foregoing operation of the grass cutting mobile robot by executing one or more computer programs. A computer program can be written in any form of programming language, including compiled or interpreted languages, and it can be deployed in any form, including as a stand-alone program or as a module, component, subroutine, or other unit suitable for use in a computing environment.

[0164] Operations associated with implementing all or part of the control processes, for example, for the actuator 112, described herein can be performed by one or more programmable processors executing one or more computer programs to perform the functions described herein. Control over all or part of the control processes described herein can be implemented using special purpose logic circuitry, e.g., an FPGA (field programmable gate array) and/or an ASIC (application-specific integrated circuit).

[0165] Processors suitable for the execution of a computer program include, by way of example, both general and special purpose microprocessors, and any one or more processors of any kind of digital computer. Generally, a processor will receive instructions and data from a read-only storage area or a random access storage area or both. Elements of a computer include one or more processors for executing instructions and one or more storage area devices for storing instructions and data. Generally, a computer will also include, or be operatively coupled to receive data from, or transfer data to, or both, one or more machine-readable storage media, such as mass PCBs for storing data, e.g., magnetic, magneto-optical disks, or optical disks. Machine-readable storage media suitable for embodying computer program instructions and data include all forms of non-volatile storage area, including by way of example, semiconductor storage area devices, e.g., EPROM, EEPROM, and flash storage area devices; magnetic disks, e.g., internal hard disks or removable disks; magneto-optical disks; and CD-ROM and DVD-ROM disks.

[0166] While the housing 120 has been described to be rotated in a first direction and the blade 108a has been

described to rotate in a second direction in response to impact with an object in the environment, in some examples, a housing of a blade assembly is rotatable in both a first direction and a second direction. The blade is also rotatable in both the first direction and the second direction. For example, FIG. 18A shows a schematic top view of a blade assembly 200. In contrast to the blade assembly 106 described herein, the blade assembly 200 is rotatable in both a clockwise direction 202 and a counterclockwise direction 204 about a drive axis 206 to cut grass. In particular, blades 208 of the blade assembly 200 include edges 210a, 210b both usable to cut grass.

[0167] Blades 208 of the blade assembly 200 are mounted in a housing 212 of the blade assembly 200 such that the blades 208 are rotatable relative to the housing 212 in both a clockwise direction 214 and a counterclockwise direction 216 about a mounting axis 218. The blades 208 are spring-mounted. The blade assembly 200 includes, for example, springs 220 connecting the blades 208 to the housing 212. The springs 220 are, for example, extension or compression springs that extend or compress in response to movement of the blades 208 within the housing 212. Absent impact with objects in the environment, the blades 208 are in neutral positions as depicted in FIG. 18A.

[0168] As shown in a schematic side view of the blade assembly 200 in FIG. 18B, the blades 208 are mounted such that they do not rise within the housing 186, e.g., within slots 222 of the housing 212, when the blades 208 rotate relative to the housing 212. In this regard, the blades 208 may not have a tilt angle, as described with respect to the blades 208. Furthermore, the slots 222 are configured to accommodate rotation of the blades 208 relative to the housing 212 in both the clockwise direction 214 and the counterclockwise direction 216 about the mounting axis 218.

[0169] During mowing operations, the blade assembly 200 is rotatable (e.g., by the actuator 112) in both the clockwise direction 202 and the counterclockwise direction 204. The edge 210a of the blade 208 cuts the grass when the blade assembly 200 is rotated in the clockwise direction 202. The edge 210a of the blade 208 can contact objects in the environment during the rotation of the blade assembly 200 in the clockwise direction 202. In response to impact of the edge 210a with an object, the blade 208 rotates in the counterclockwise direction 216 relative to the housing 212 such that a radius of the blade tip is reduced. As a result, the blade 208 maneuvers laterally around the object to avoid being stuck in contact with the object, as described in greater detail with respect to FIGS. 15A to 15D. The rotation of the blade 208 within the housing 212 in the counterclockwise direction 216 causes the corresponding spring 220 to compress. When the blade 208 is moved beyond the object, the compressed spring 220 biases the blade 208 back to the neutral position.

[0170] The edge 210b cuts the grass when the blade assembly 200 is rotated in the counterclockwise direction 204. The edge 210b can contact objects in the environment during the rotation of the blade assembly 200 in the counterclockwise direction 204. In response to impact of the edge 210b with an object, the blade 208 rotates in the clockwise direction 214 relative to the housing 212 such that a radius of the blade tip is reduced. As a result, the blade 208 maneuvers laterally around the object to avoid being stuck in contact with the object, as described in greater detail with respect to FIGS. 15A to 15D. The rotation of the blade 208

relative to the housing 212 in the clockwise direction 214 causes the corresponding spring 220 to stretch. When the blade 208 is moved beyond the object, the stretched spring 220 biases the blade 208 back to the neutral position. Thus, in the example of the blade assembly 200 described in FIGS. 18A and 18B, the blades 208 are able to move into a retracted position (e.g., the retracted position 176) through rotation in the clockwise direction 214 relative to the housing 212 and through rotation in the counterclockwise direction 216 relative to the housing 212.

[0171] Elements of different implementations described herein may be combined to form other embodiments not specifically set forth above. Elements may be left out of the structures described herein without adversely affecting their operation. Furthermore, various separate elements may be combined into one or more individual elements to perform the functions described herein.

What is claimed is:

1. A grass cutting mobile robot comprising:
 - a body; and
 - a blade assembly connected to the body and rotatable about a drive axis, the blade assembly comprising:
 - two or more spring mounted blades, each blade rotatably mounted on a mounting axis and including a cutting portion extending inwardly toward the drive axis from a blade tip;
 - two or more springs, each spring being configured to constrain movement of an associated one of the two or more blades; and
 - a housing to hold the blades, the housing comprising:
 - two or more finger wells;
 - two or more slots in which to mount the two or more blades, the slots extending between successive finger wells; and
 - two or more push tabs, each push tab accessible within one of the two or more finger wells and connected to a coupling latch mounted on the mounting axis of one to the two or more spring mounted blades and configured to engage with a shaft rotatable about the drive axis, wherein pressing the push tab inward toward the drive axis rotates the coupling latch away from the drive axis and releasing the push tab rotates the coupling latch towards the drive axis.
2. The grass cutting mobile robot of claim 1, wherein the finger wells are equidistantly spaced about the housing.
3. The grass cutting mobile robot of claim 1, wherein the finger wells are recessed within the housing and the push tabs are positioned fully within a periphery of the housing.
4. The grass cutting mobile robot of claim 1, wherein each coupling latch is connected to a lower end of one of the two or more springs.
5. The grass cutting mobile robot of claim 1, wherein the coupling latch is configured to rotate around the mounting axis.
6. The grass cutting mobile robot of claim 1, wherein the coupling latch comprises an engagement end configured to engage with the drive shaft, the engagement end having a radius of curvature complimentary of a radius of curvature of the drive shaft.
7. The grass cutting mobile robot of claim 1, wherein the slots are angled so that, in response to an impact, a portion of each blade is configured to move within a corresponding slot towards the drive axis by rotating about the mounting axis of the blade to cause the cutting portion of the blade to

move upward relative to a ground surface toward the body and to reduce a tip radius defined by the blade tip and the drive axis as the blade tip rotates about the drive axis.

8. The grass cutting mobile robot of claim **1**, wherein each slot extends, from proximate the mounting axis, away from the mounting axis and upward at an incline relative to a horizontal ground surface, an angle of the incline relative to the horizontal ground surface being between 5 and 10 degrees.

9. The grass cutting mobile robot of claim **1**, wherein the mounting axis and the drive axis are non-parallel.

10. The grass cutting mobile robot of claim **1**, wherein the housing is configured to receive the shaft that connects the housing to the body, the shaft defining a groove therein, and the coupling latch further comprising an engagement end configured to engage with the drive shaft, the engagement end positionable within the groove to lock the housing to the shaft.

11. The grass cutting mobile robot of claim **1**, wherein each of the two or more blades is connected to an upper end one of the two or more springs.

12. The grass cutting mobile robot of claim **1**, wherein the push tab and coupling latch are formed in a monolithic element.

13. A blade assembly for a grass cutting mobile robot, comprising:

a housing to hold blades and configured for coupling to an actuator of the grass cutting mobile robot so that the housing is rotatable about a drive axis, the housing comprising a slot in which to mount one of the blades, wherein the housing is configured to receive a shaft that connects the housing to the actuator, the shaft defining a groove therein;

a coupling latch mounted on an axis of one of the blades and configured to engage with the shaft, the coupling latch being rotatable within the housing to move an engagement end towards, or away from the groove, wherein the engagement end is positionable within the groove to lock the housing to the actuator; and

a spring that connects at an upper end to one of the blades and at a lower end to the coupling latch.

14. The blade assembly of claim **13**, wherein one of the blades is movable through the slot towards another of the blades in response to an impact, and the slot slopes upwards in the housing toward a body of the grass cutting mobile robot, thereby enabling the one of the blades to move upwards in response to the impact.

15. The blade assembly of claim **14**, wherein:

the spring is a torsion spring having a twist axis, and the blade is configured to rotate relative to the housing about a mounting axis coincident with the twist axis and non-parallel to the drive axis.

16. The grass cutting mobile robot of claim **14**, wherein the spring biases the blade away from the other blade.

17. The grass cutting mobile robot of claim **13**, wherein the blade assembly is configured to rotate relative to a body of the grass cutting mobile robot in a first direction, and the one of the blades is configured to rotate relative to the body in a second direction opposite the first direction in response to an impact.

18. The grass cutting mobile robot of claim **17**, further comprising:

an actuator mounted in the body to rotate the blade assembly, and

one or more processors to execute instructions to perform operations comprising:

detecting an increase in an electrical current delivered to the actuator, the increase being responsive to the impact, and

reducing the electrical current delivered to the actuator in response to detecting the increase.

19. The blade assembly of claim **13**, wherein the housing comprises a splined cavity configured to mate with a corresponding splined portion of the shaft of the actuator.

20. The blade assembly of claim **13**, wherein the housing further comprises a finger well adjacent each of the blades and a push tab extending from the coupling latch and accessible within each finger well, wherein the spring biases the coupling latch to rotate toward the shaft, and wherein pressing the push tab inward toward the drive axis rotates the coupling latch away from the to shaft.

* * * * *