



(19) **United States**
(12) **Patent Application Publication**
Bourgraf et al.

(10) **Pub. No.: US 2015/0173983 A1**
(43) **Pub. Date: Jun. 25, 2015**

(54) **EMERGENCY VEHICLE PATIENT TRANSPORT SYSTEM**

B60N 2/10 (2006.01)
B60N 2/04 (2006.01)
B60N 2/07 (2006.01)
A61G 3/00 (2006.01)
B60N 2/34 (2006.01)

(71) Applicant: **FERNO-WASHINGTON, INC.**,
Wilmington, OH (US)

(52) **U.S. Cl.**
CPC *A61G 3/02* (2013.01); *A61G 3/001* (2013.01);
A61G 3/0875 (2013.01); *B60N 2/34* (2013.01);
B60N 2/04 (2013.01); *B60N 2/0735* (2013.01);
B60N 2/10 (2013.01); *A61G 2203/723*
(2013.01)

(72) Inventors: **Joseph G. Bourgraf**, Maineville, OH (US); **Timothy Robert Wells**, Hillsboro, OH (US); **Timothy Paul Schroeder**, Mason, OH (US)

(21) Appl. No.: **14/642,954**

(22) Filed: **Mar. 10, 2015**

(57) **ABSTRACT**

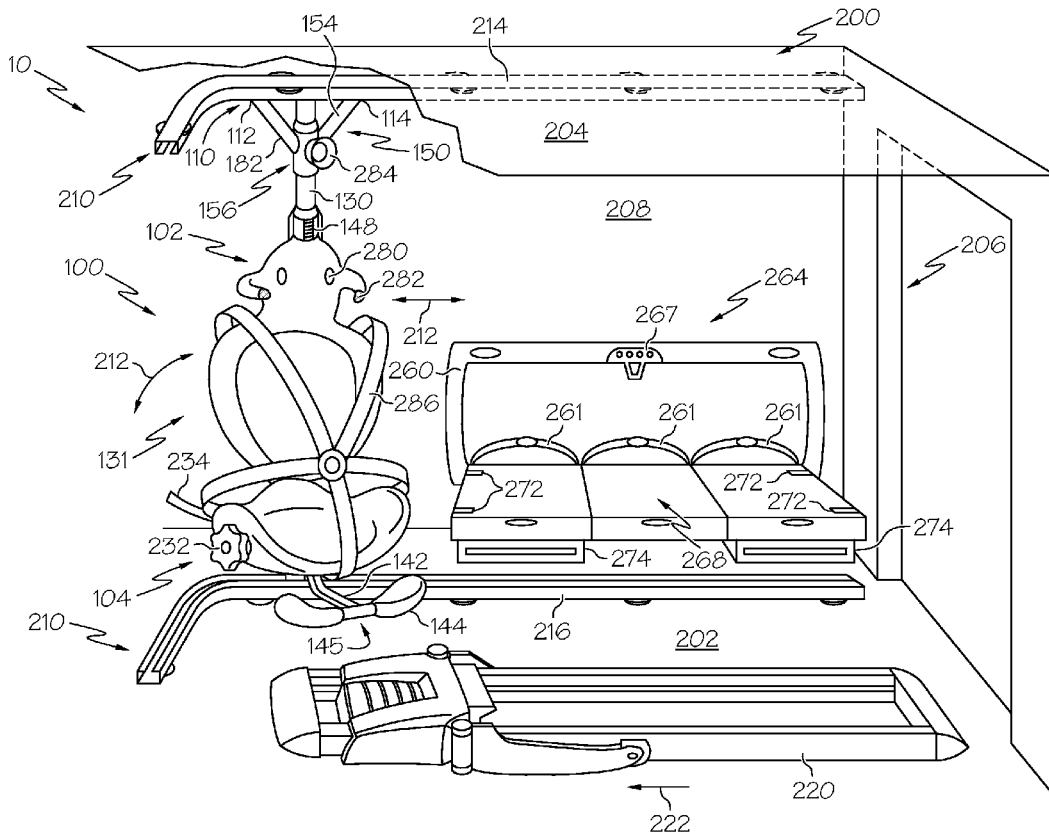
Related U.S. Application Data

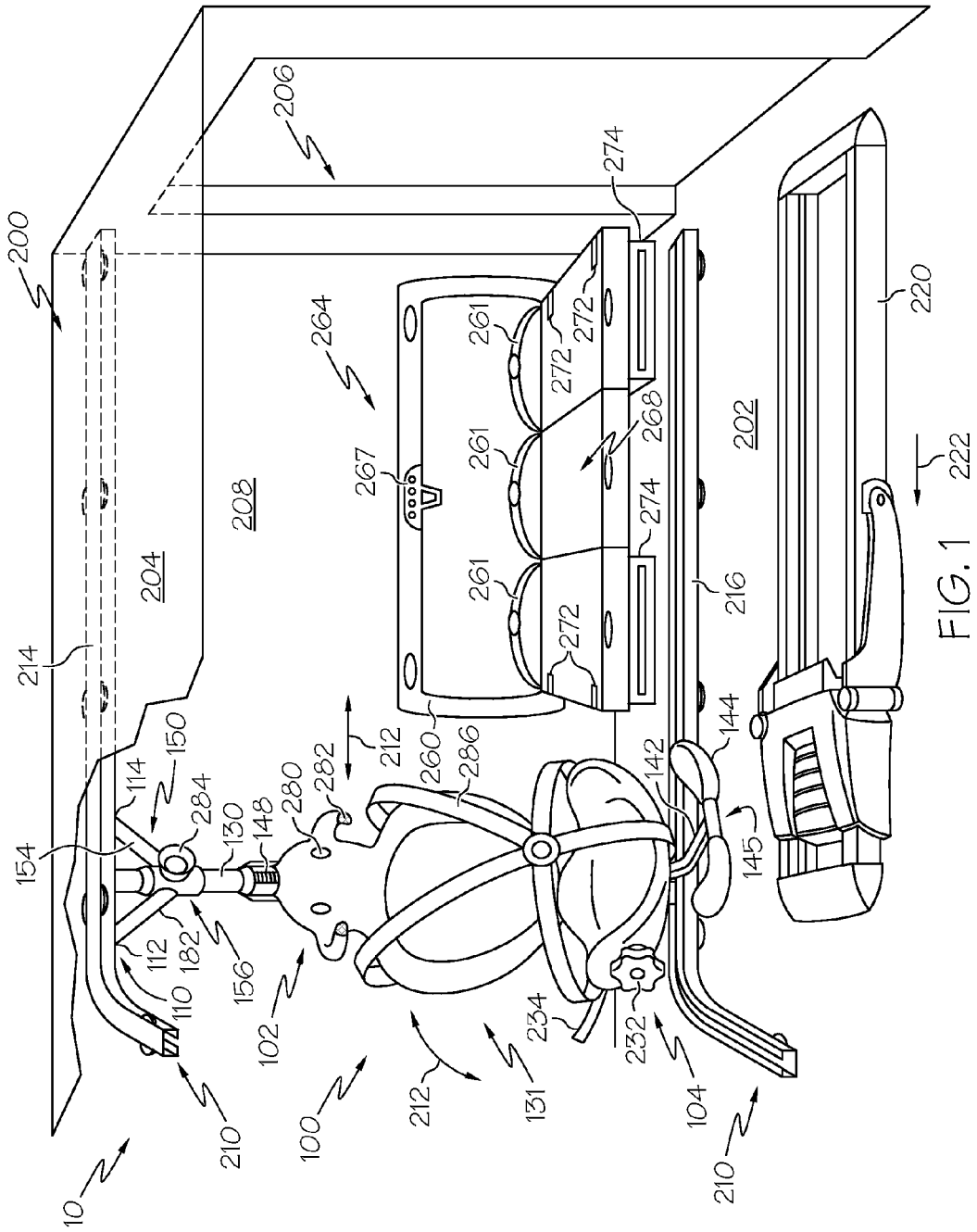
(60) Continuation of application No. 14/085,883, filed on Nov. 21, 2013, now Pat. No. 9,027,978, which is a continuation of application No. 13/741,870, filed on Jan. 15, 2013, now Pat. No. 8,616,604, which is a division of application No. 12/767,555, filed on Apr. 26, 2010, now Pat. No. 8,382,181.

Emergency vehicle patient transport systems are disclosed. In one embodiment, an emergency vehicle patient transport system includes: a loading passage providing access to an interior of an emergency vehicle; one or more tracks coupled to a floor of the emergency vehicle, a ceiling of the emergency vehicle, a wall of the emergency vehicle or combinations thereof wherein, a travel path is delineated by the one or more tracks; and a chair slidingly engaged with the one or more tracks, and vertically positioned between the floor and the ceiling. The chair locks in one or more set positions. And, the one or more set positions are selected from a group consisting of an airway care position, an extended airway care position, a procedural care position, a responder position, a patient care position, and a patient load position.

Publication Classification

(51) **Int. Cl.**
A61G 3/02 (2006.01)
A61G 3/08 (2006.01)





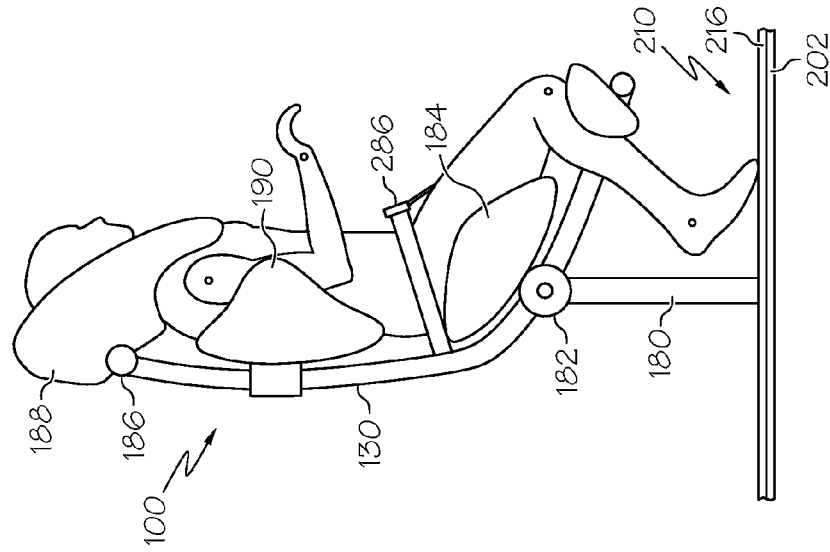


FIG. 3A

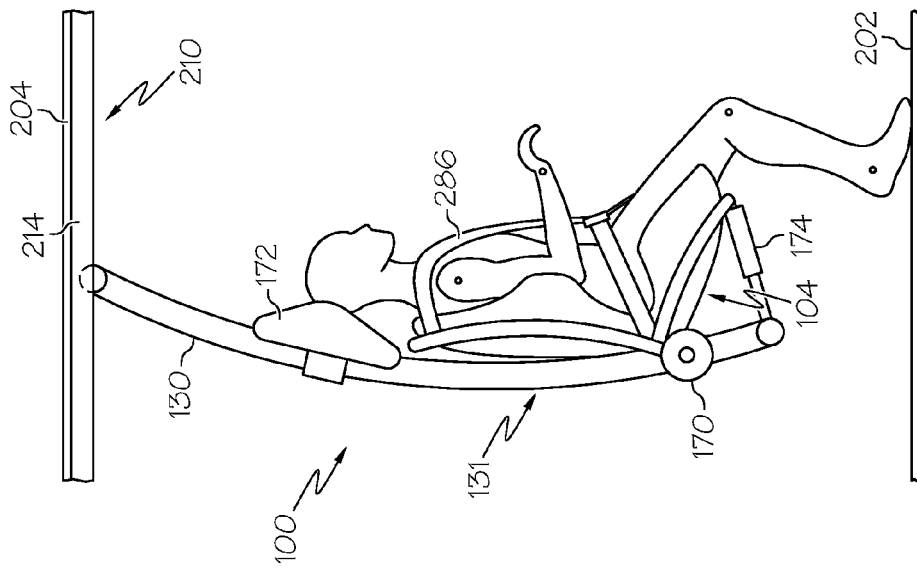


FIG. 2

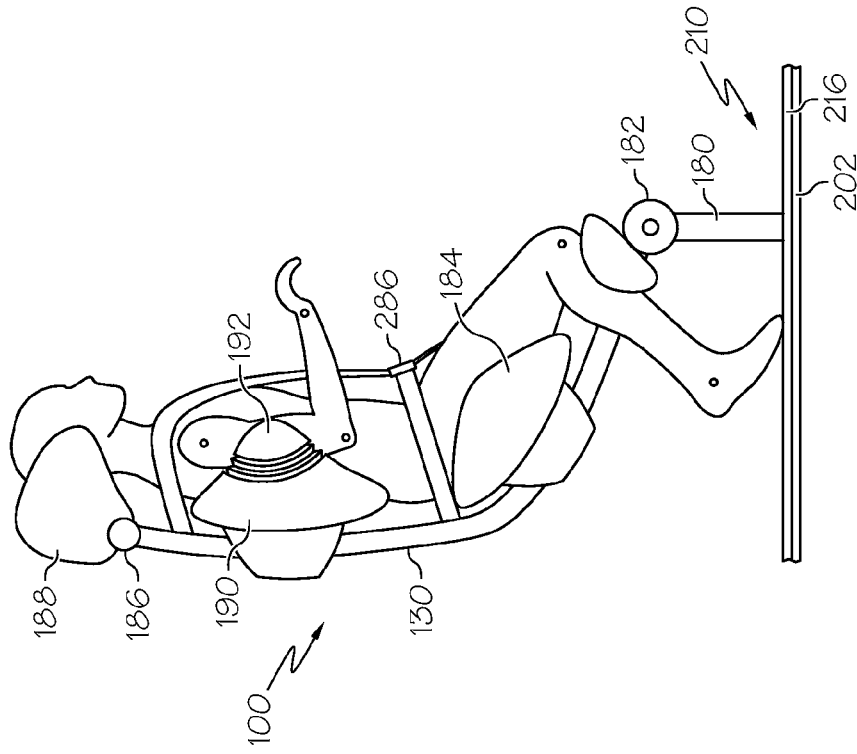


FIG. 3C

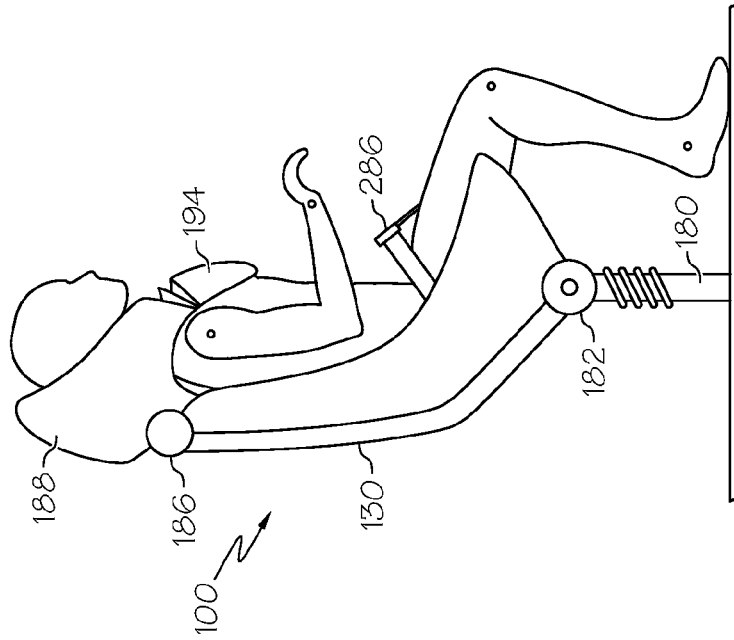


FIG. 3B

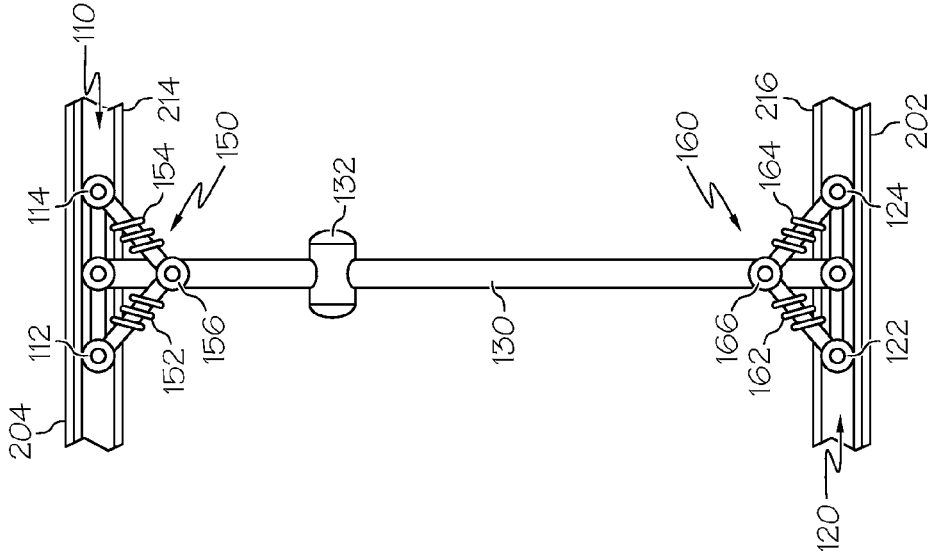


FIG. 4B

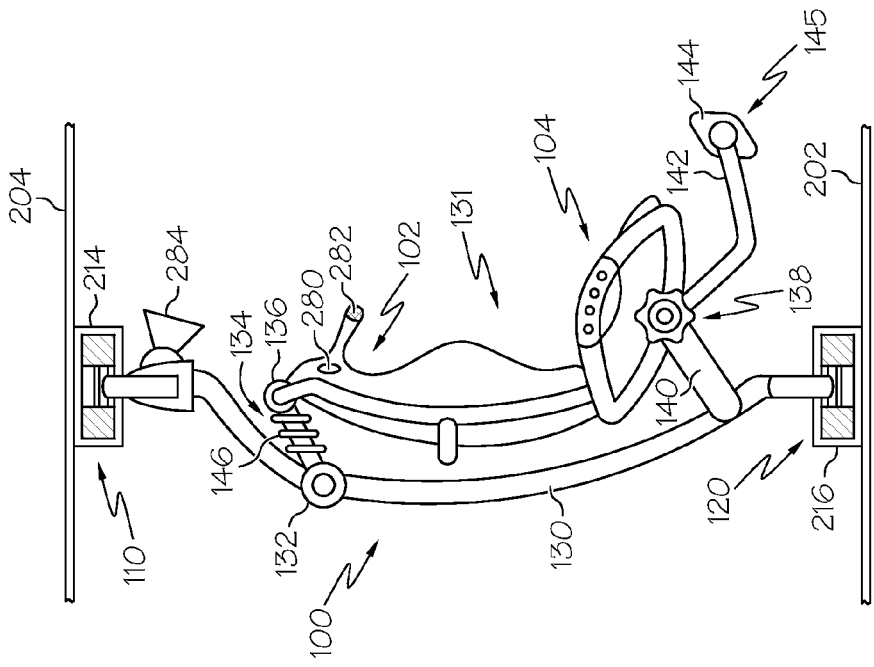


FIG. 4A

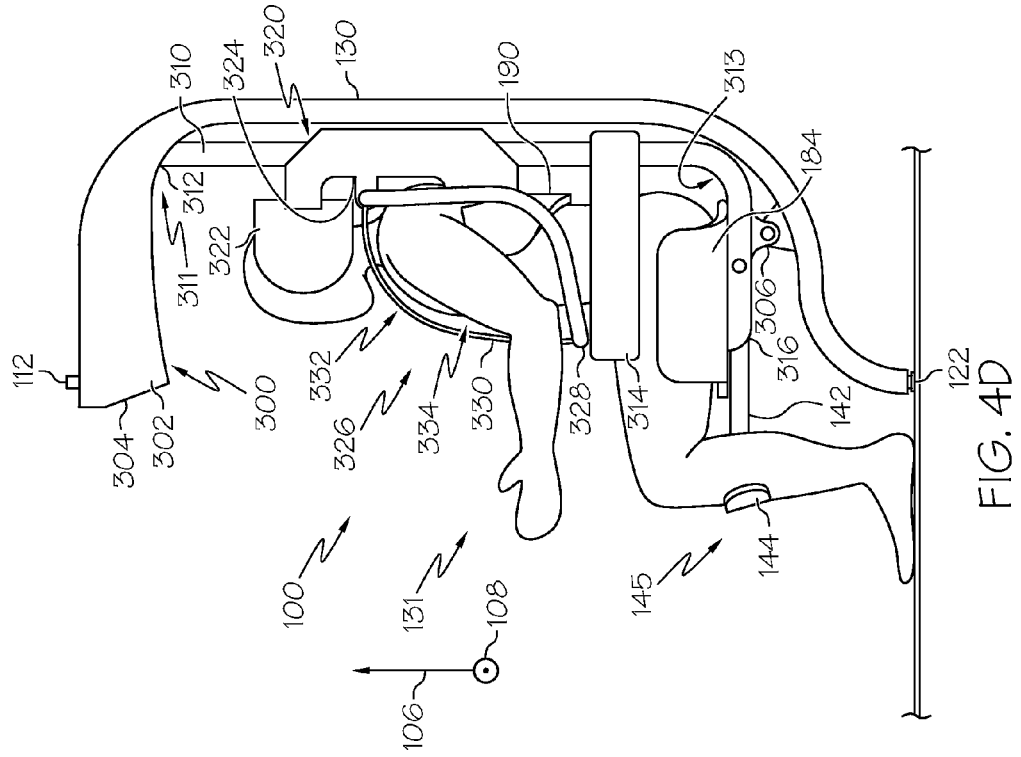


FIG. 4D

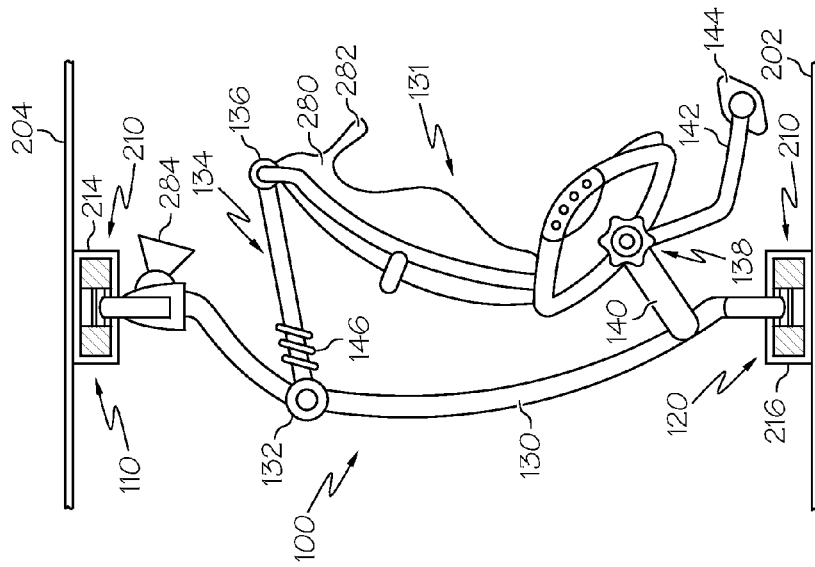


FIG. 4C

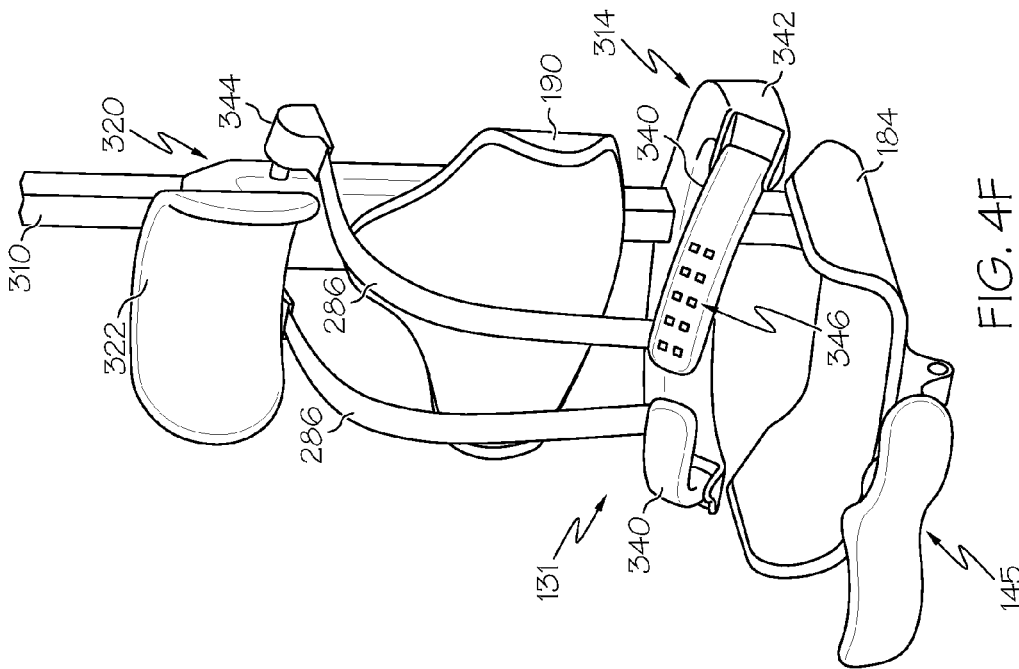


FIG. 4F

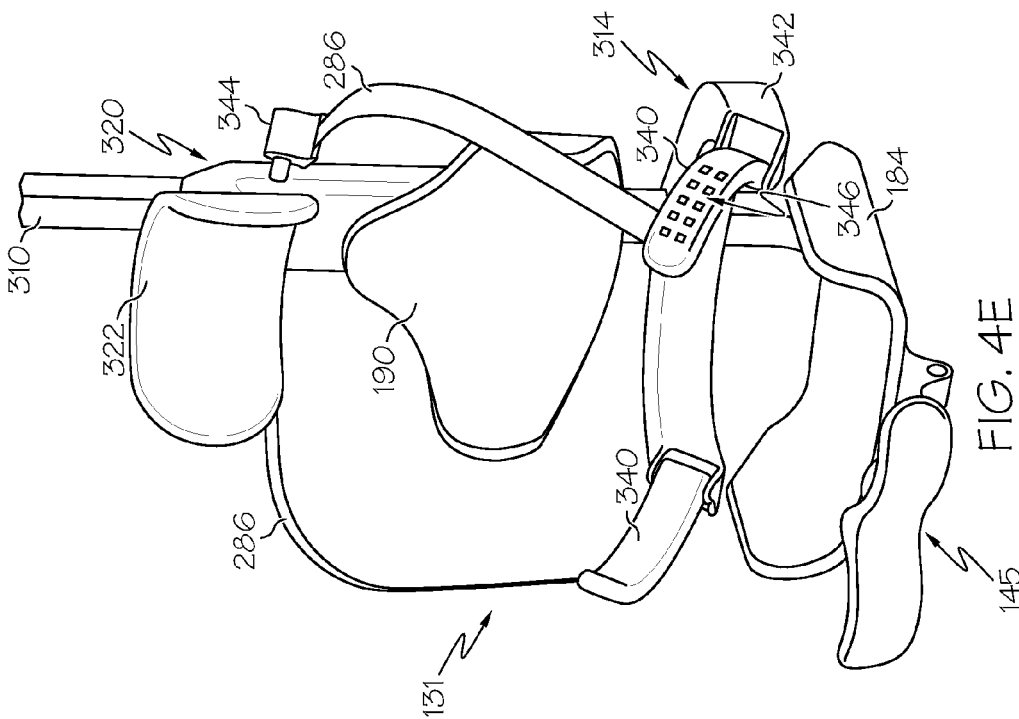


FIG. 4E

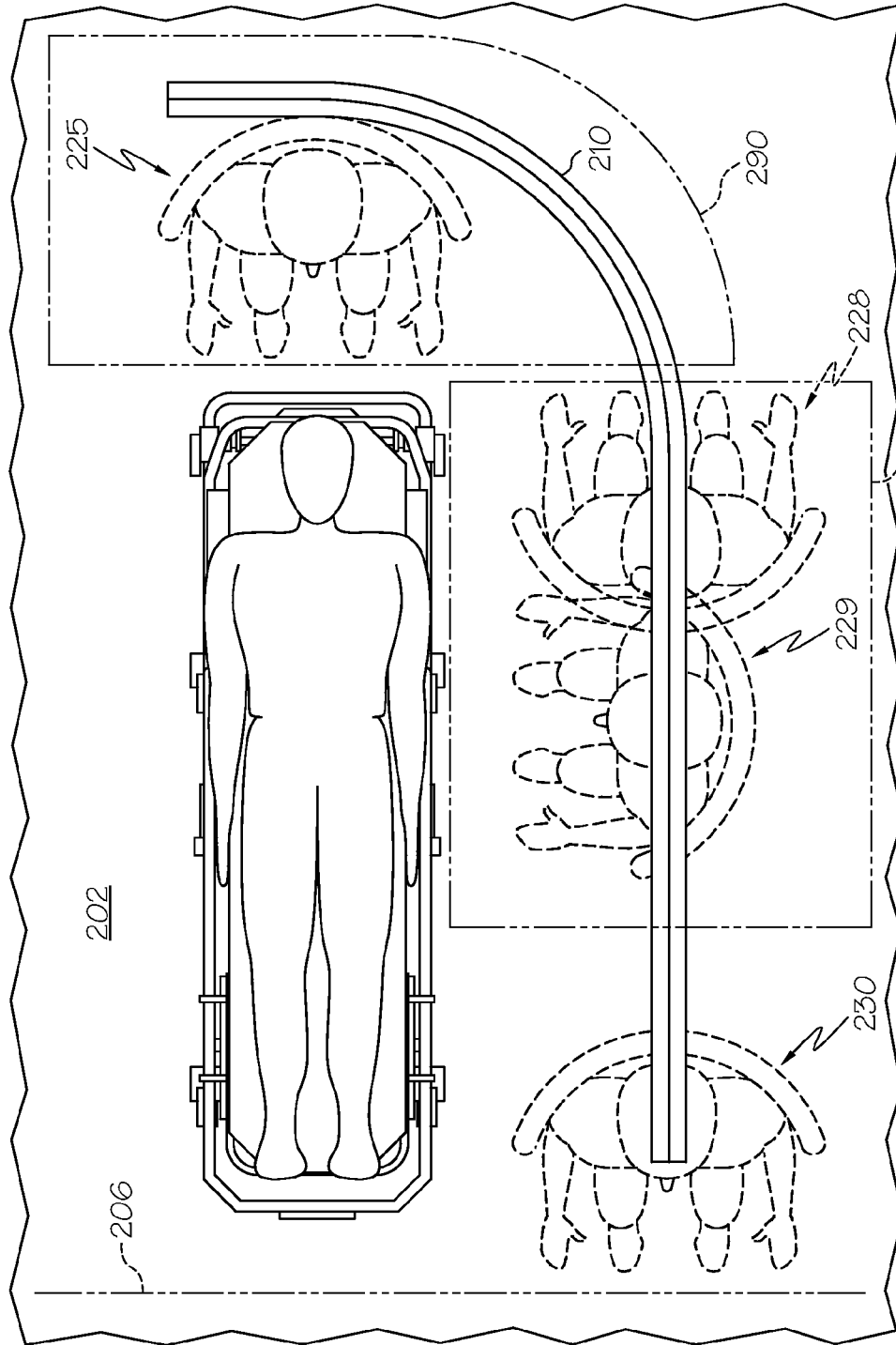
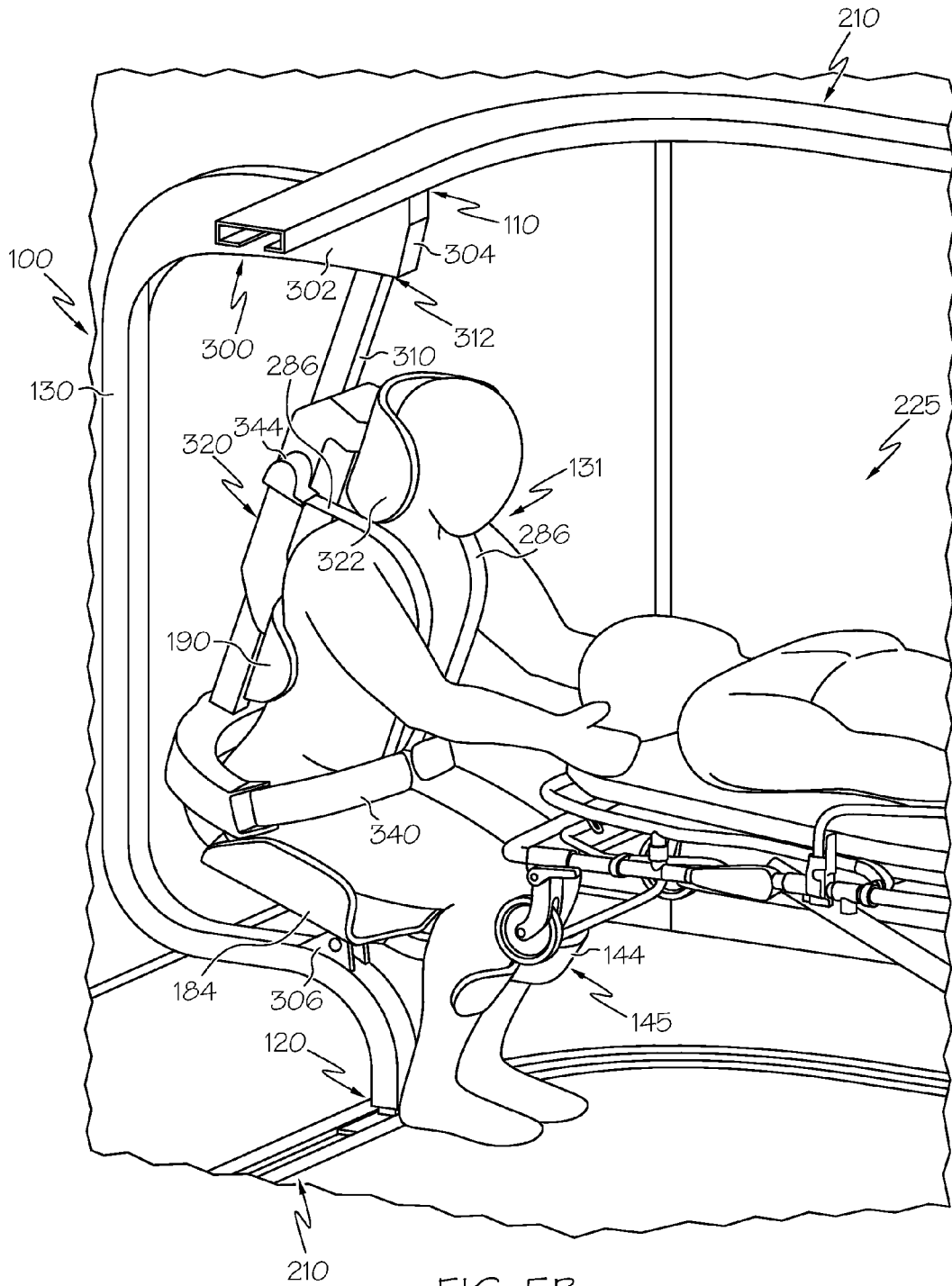


FIG. 5A



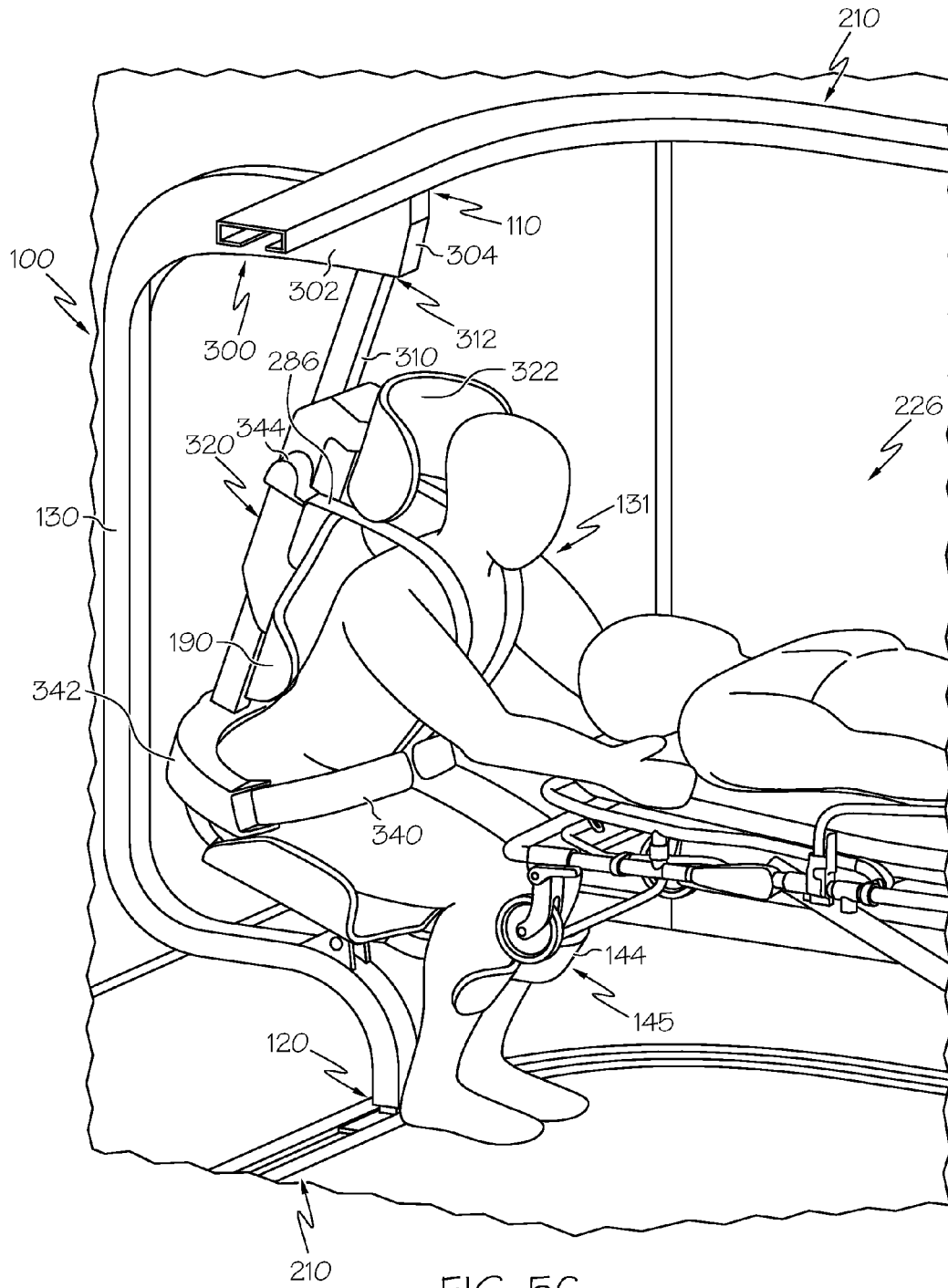


FIG. 5C

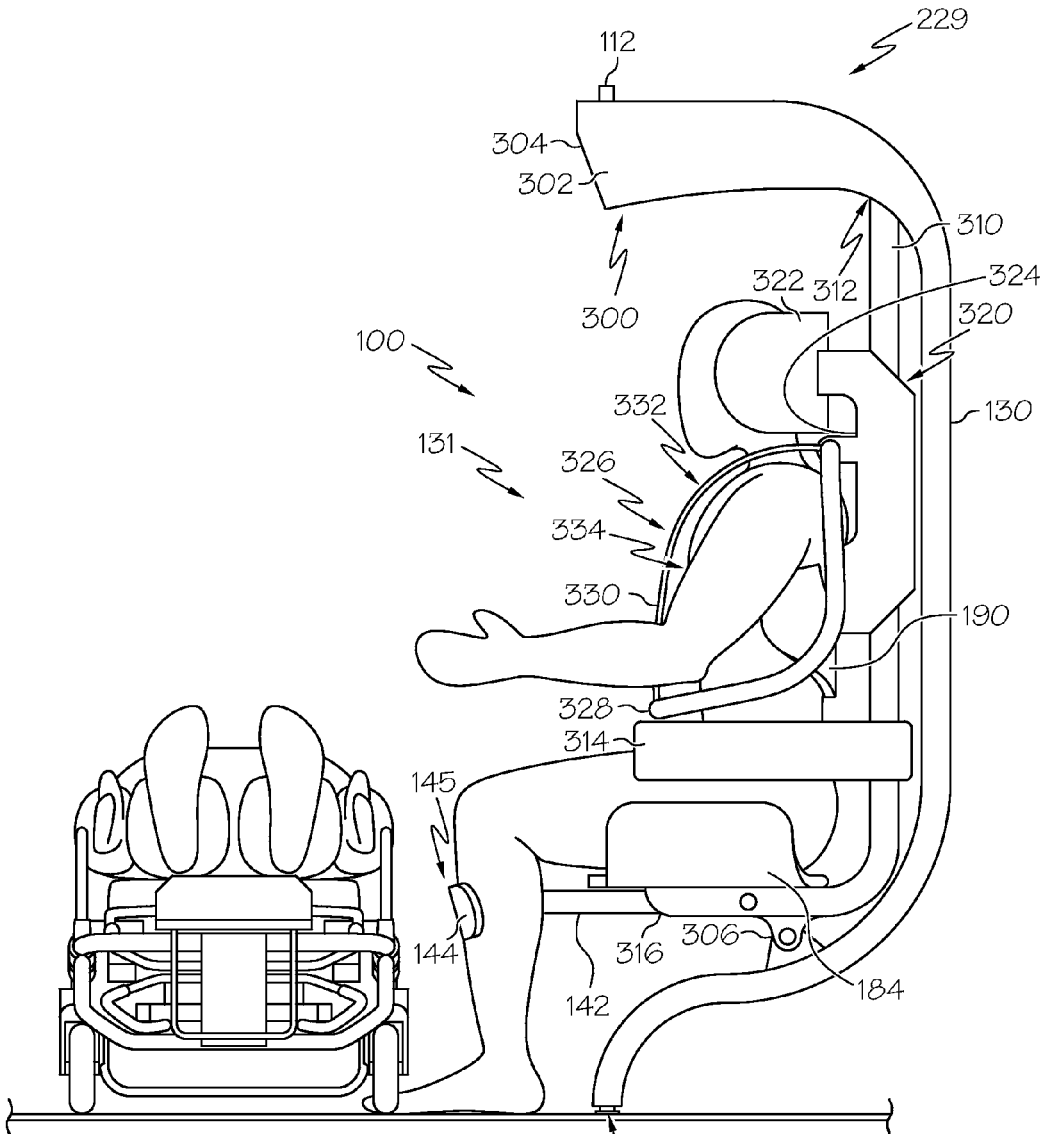


FIG. 5D 122

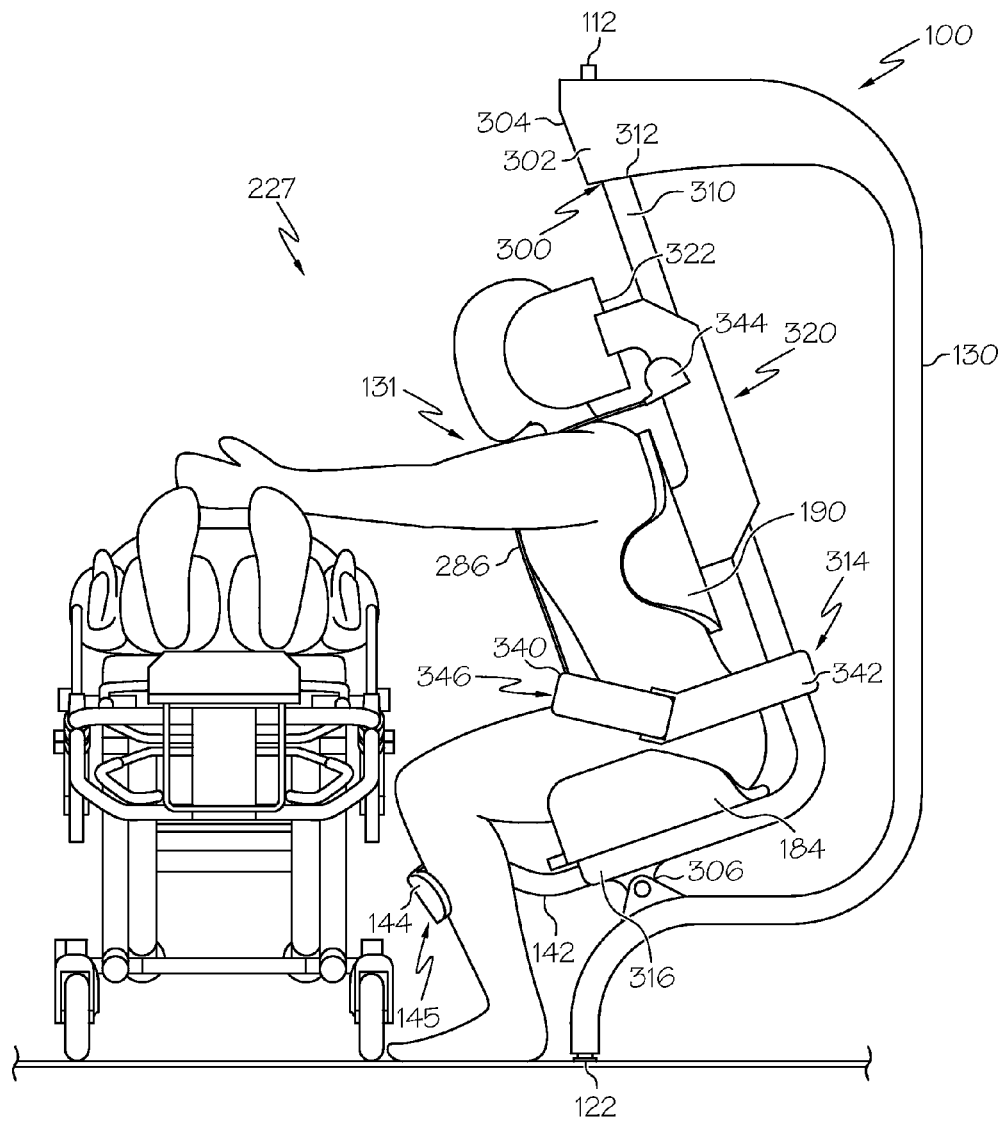


FIG. 5E

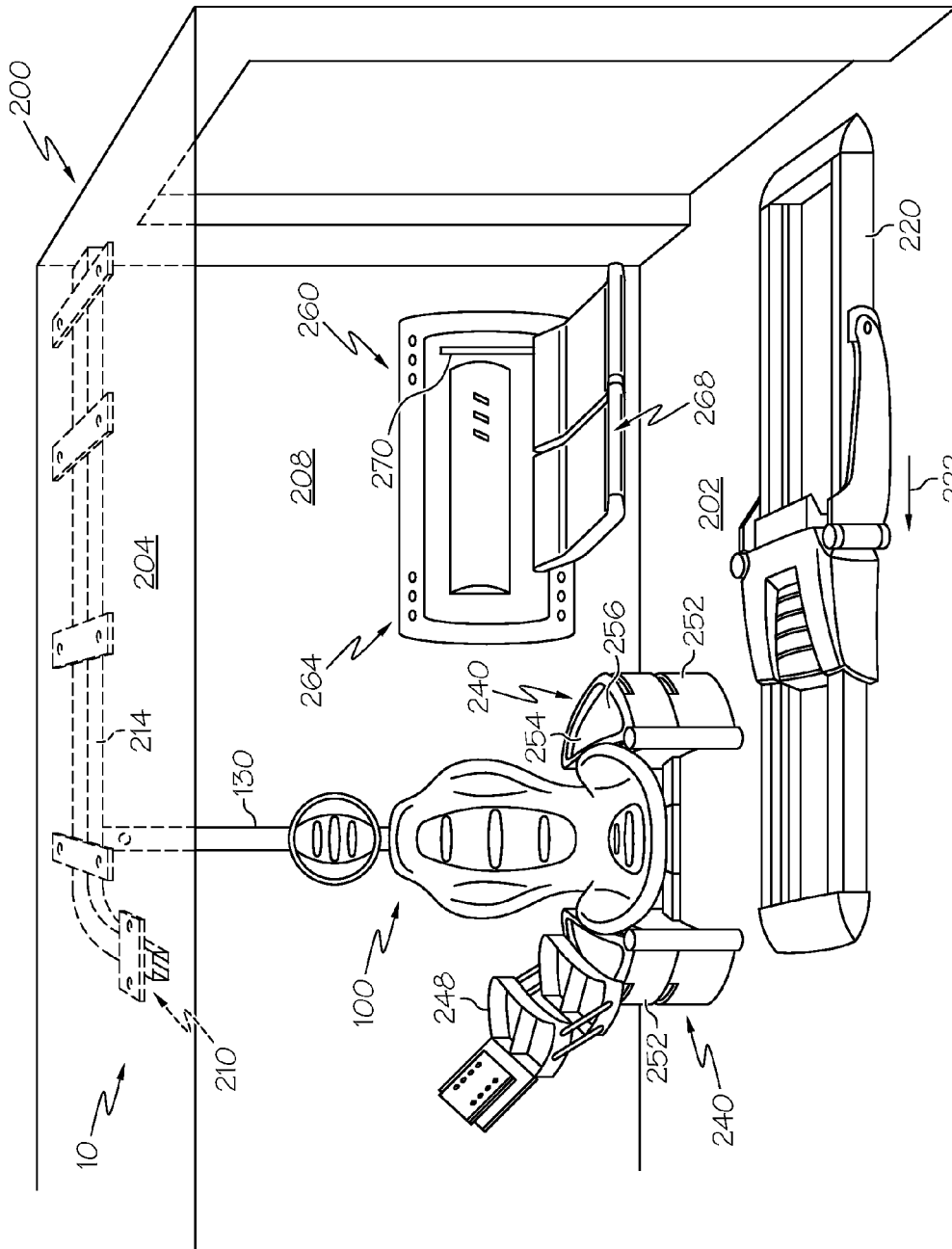


FIG. 6A

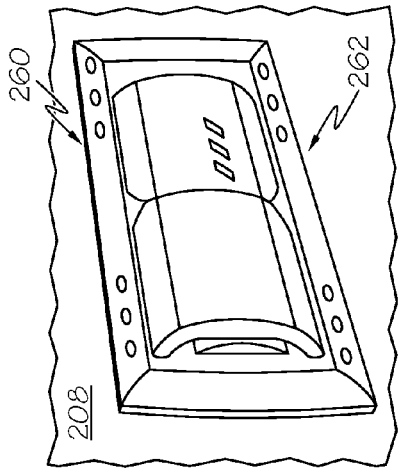


FIG. 7A

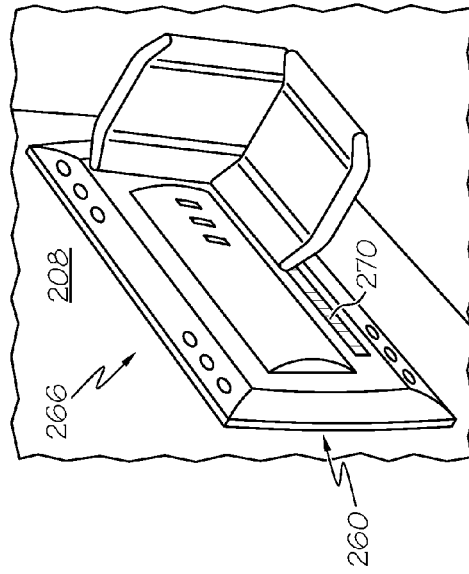


FIG. 7B

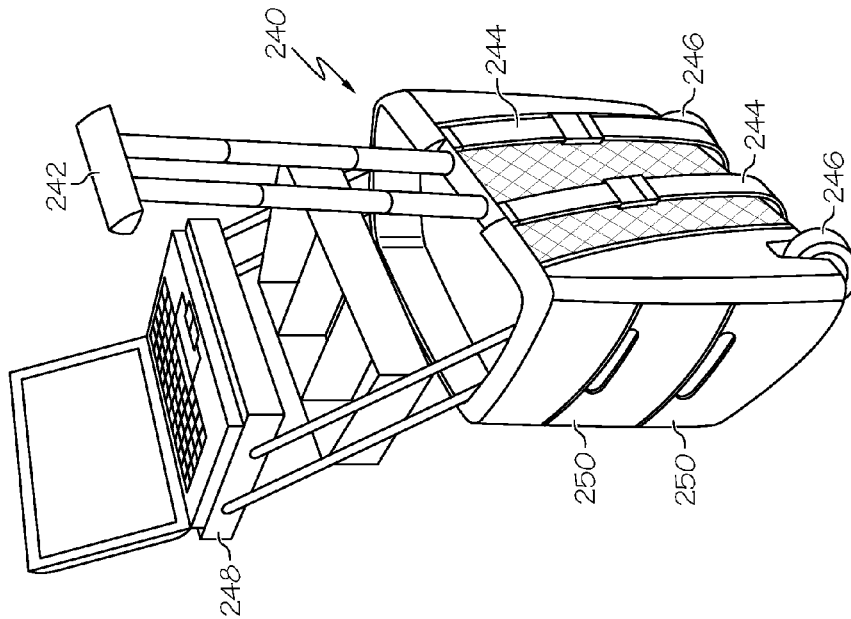


FIG. 6B

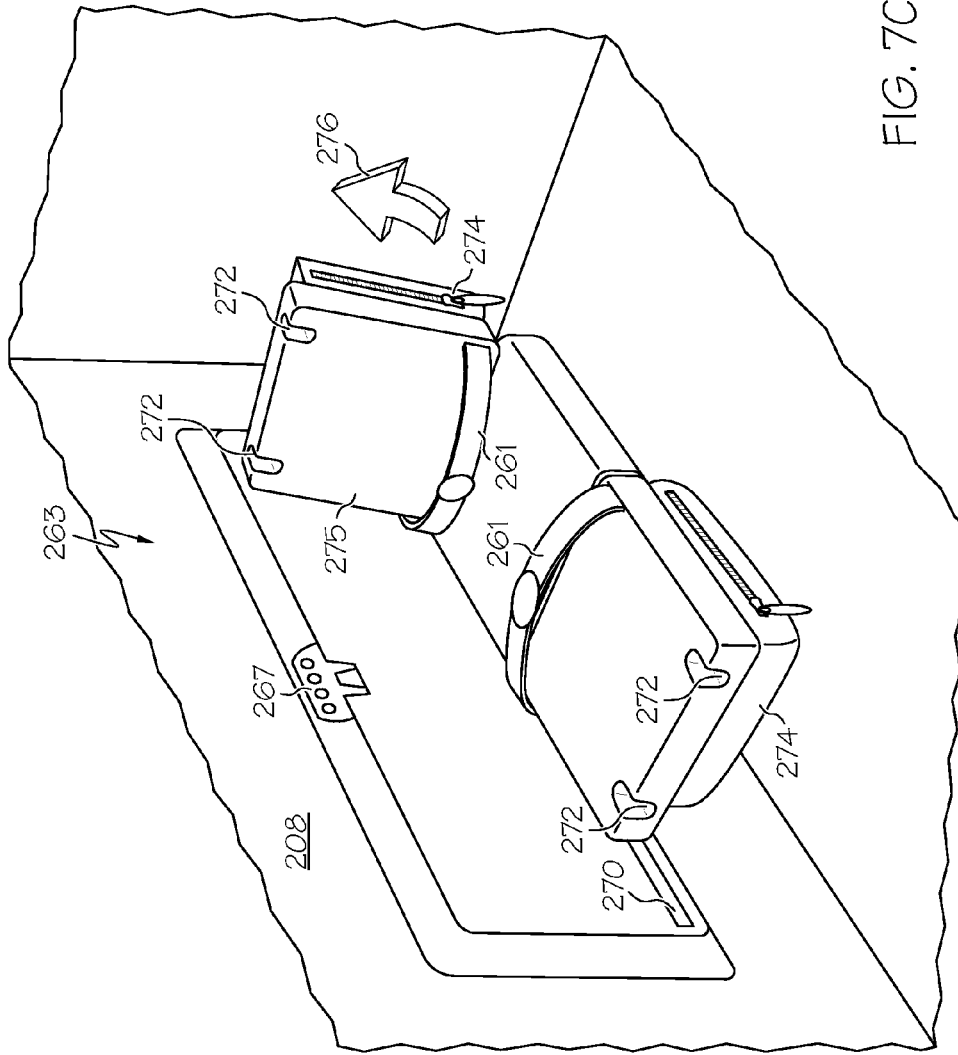


FIG. 7C

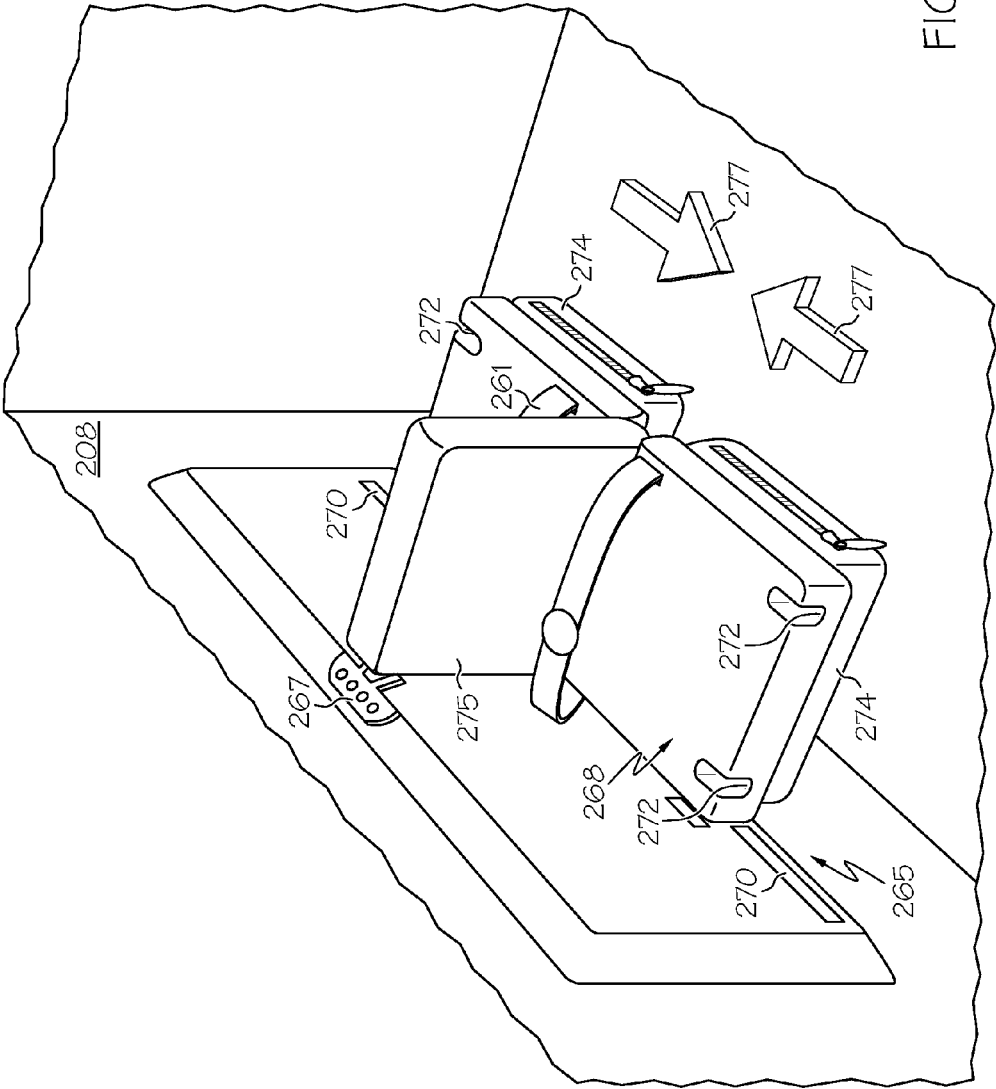


FIG. 7D

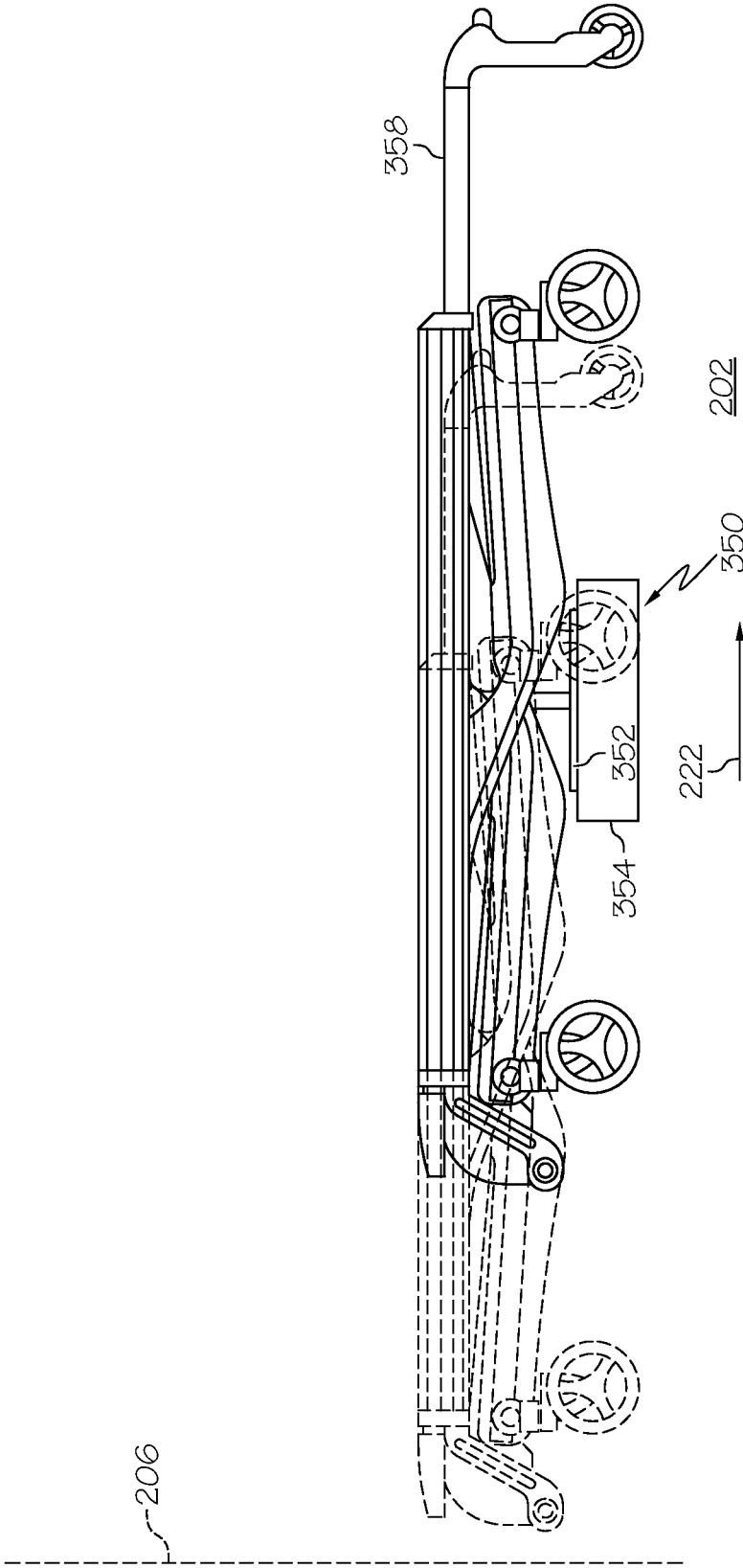


FIG. 8A

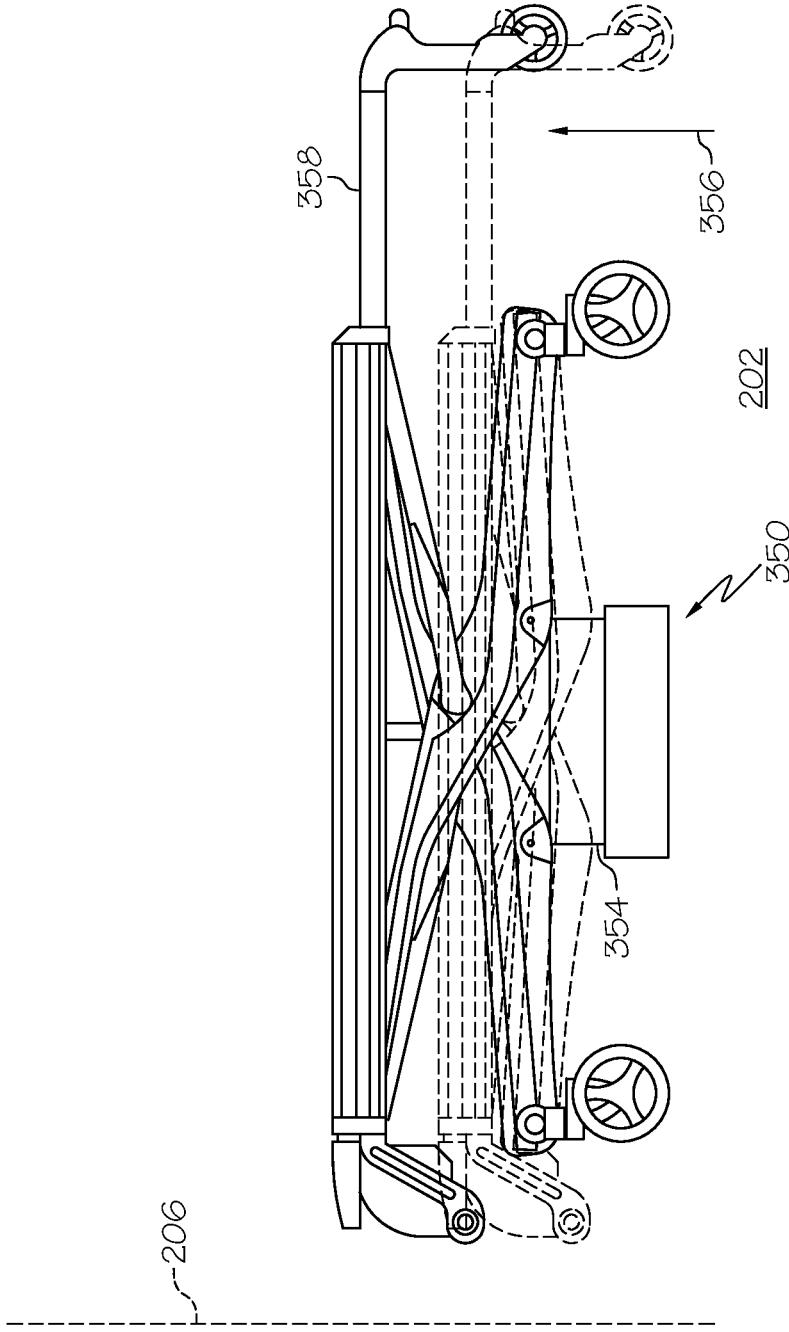


FIG. 8B

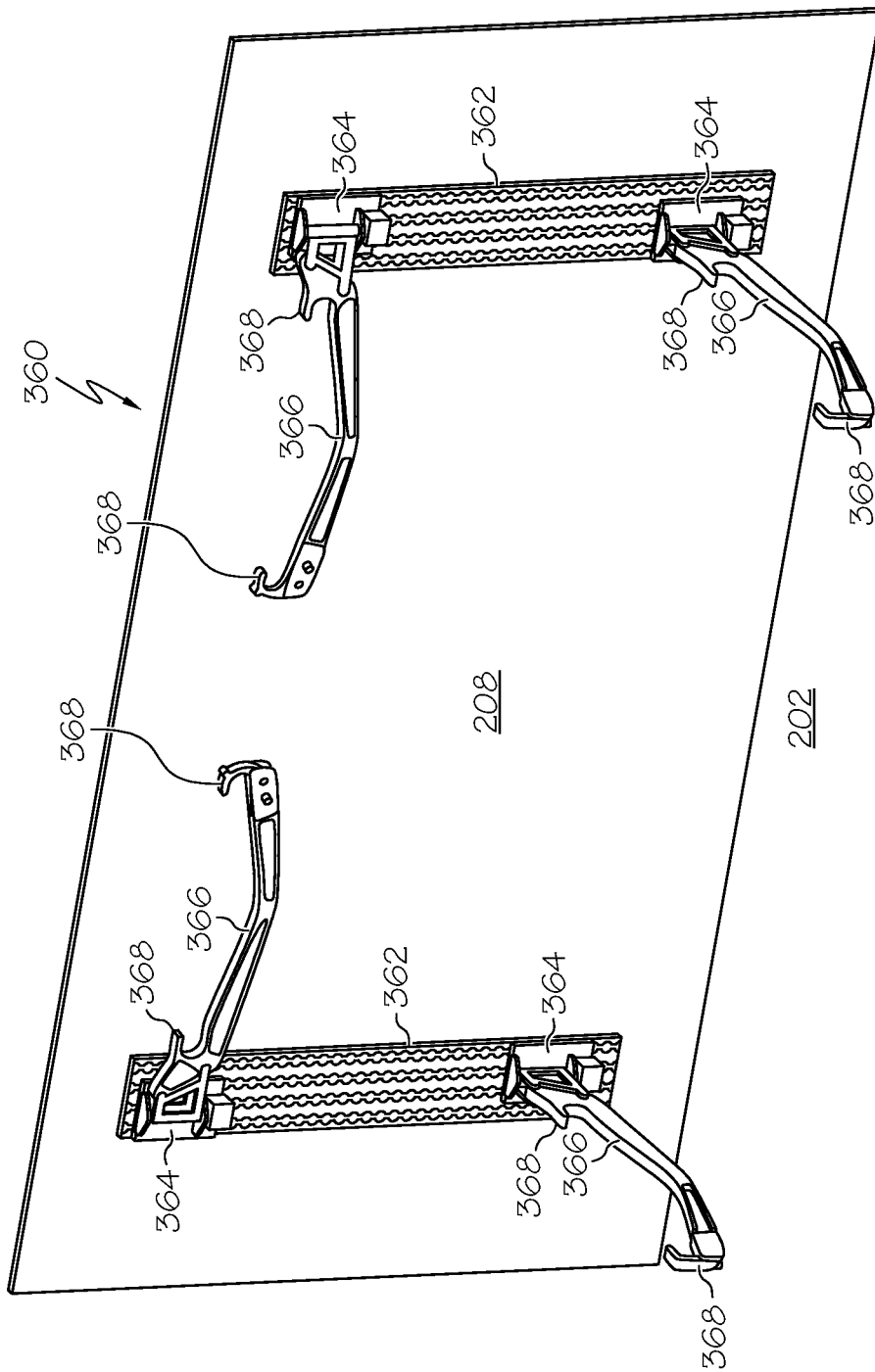
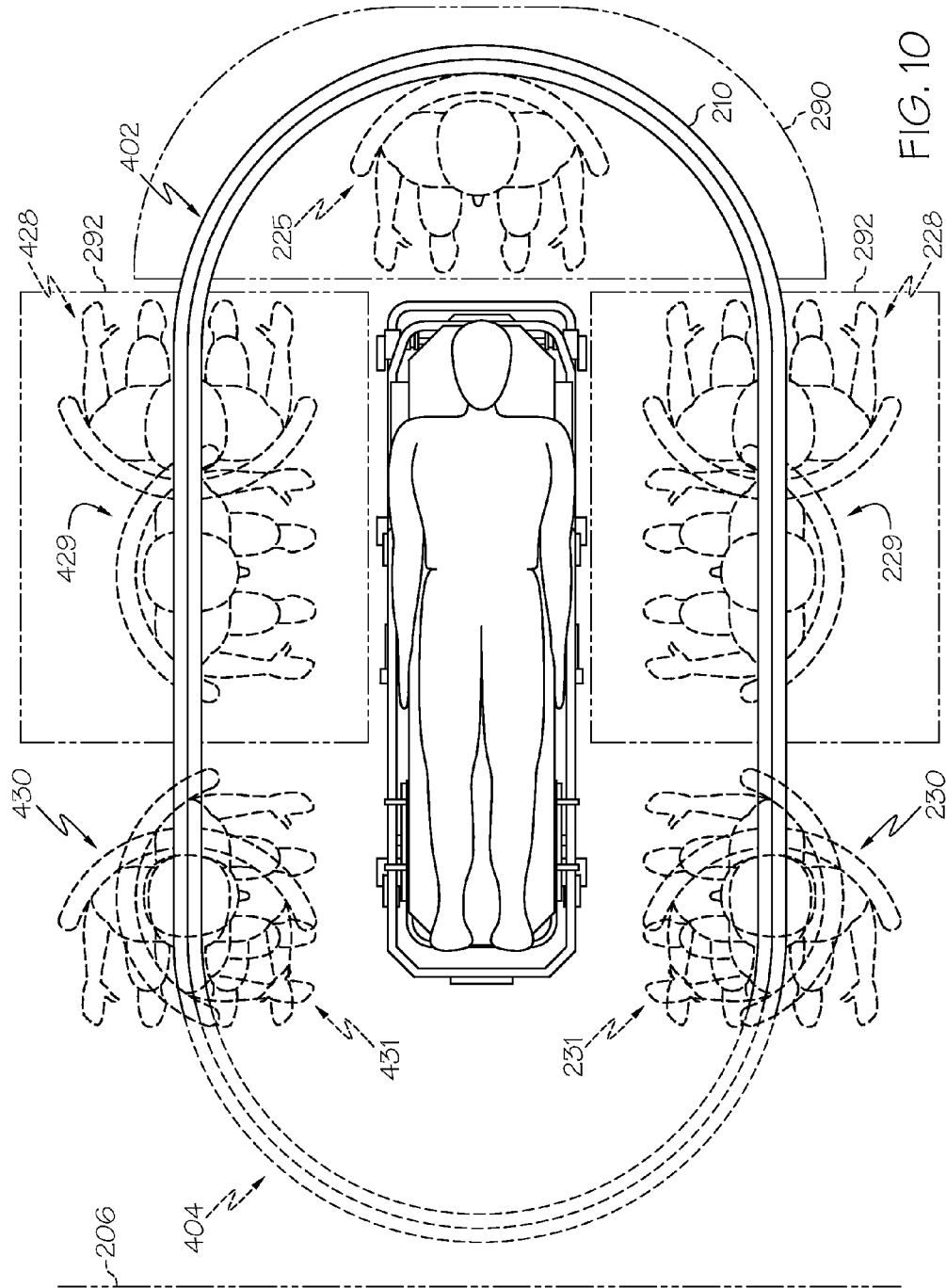


FIG. 9



EMERGENCY VEHICLE PATIENT TRANSPORT SYSTEM

CROSS-REFERENCE TO RELATED APPLICATION

[0001] This application is a continuation of U.S. patent application Ser. No. 14/085,883, filed Nov. 21, 2013, which is a continuation of U.S. patent application Ser. No. 13/741,870 filed Jan. 15, 2013, now U.S. Pat. No. 8,616,604, which is a divisional application of U.S. patent application Ser. No. 12/767,555, filed Apr. 26, 2010, now U.S. Pat. No. 8,382,181, the entire disclosure of which is hereby incorporated herein by reference.

TECHNICAL FIELD

[0002] The present disclosure is generally related to emergency vehicles, and is specifically directed to emergency vehicle patient transport systems that provide a chair with access to a patient.

BACKGROUND

[0003] Emergency vehicles are commonly used to transport sick or injured persons (patients) while they are secured to a patient cot. Generally, patients require procedures to be performed on them by emergency medical technicians while being transported. However, a technician riding unrestrained is one risk factor that has contributed significantly to the fatality rate of such workers when involved in a vehicle crash. Thus, a need exists for emergency vehicle patient transport systems that provide innovative ways to securely restrain emergency medical technicians, or any other medical personnel, while they are providing hands-on treatment to patients during transport.

SUMMARY

[0004] It is against the above background that embodiments according to the present disclosure are provided. In one embodiment, an emergency vehicle patient transport system includes: a loading passage providing access to an interior of an emergency vehicle; one or more tracks coupled to a floor of the emergency vehicle, a ceiling of the emergency vehicle, a wall of the emergency vehicle or combinations thereof wherein, a travel path is delineated by the one or more tracks; and a chair slidably engaged with the one or more tracks, and vertically positioned between the floor and the ceiling. The chair locks in one or more set positions. And, the one or more set positions are selected from a group consisting of an airway care position, an extended airway care position, a procedural care position, a responder position, a patient care position, and a patient load position.

[0005] In another embodiment, an emergency vehicle patient transport system includes a ceiling track coupled to a ceiling of an emergency vehicle, a floor track coupled to a floor of the emergency vehicle, and a chair vertically positioned between the floor and the ceiling. The chair includes a curved vertical member disposed between the ceiling and the floor and slidably engaged with the ceiling track and the floor track.

[0006] These and additional features provided by the embodiments of the present disclosure will be more fully understood in view of the following detailed description, in conjunction with the drawings.

BRIEF DESCRIPTION OF THE DRAWINGS

[0007] The following detailed description of specific embodiments of the present disclosure can be best understood when read in conjunction with the following drawings, where like structure is indicated with like reference numerals and in which:

[0008] FIG. 1 depicts a side perspective view of an emergency vehicle patient transport system according to embodiments of the present disclosure;

[0009] FIG. 2 depicts a side orthographic view of a chair according to embodiments of the present disclosure;

[0010] FIG. 3A depicts a side orthographic view of a chair according to embodiments of the present disclosure;

[0011] FIG. 3B depicts a side orthographic view of a chair according to embodiments of the present disclosure;

[0012] FIG. 3C depicts a side orthographic view of a chair according to embodiments of the present disclosure;

[0013] FIG. 4A depicts a side orthographic view of a chair according to embodiments of the present disclosure;

[0014] FIG. 4B depicts a front orthographic partial cutaway view of a chair according to embodiments of the present disclosure;

[0015] FIG. 4C depicts a side orthographic view of a chair according to embodiments of the present disclosure;

[0016] FIG. 4D depicts a side orthographic view of a chair according to embodiments of the present disclosure;

[0017] FIG. 4E depicts a side perspective view of a chair according to embodiments of the present disclosure;

[0018] FIG. 4F depicts a side perspective view of a chair according to embodiments of the present disclosure;

[0019] FIG. 5A depicts a schematic diagram of an emergency vehicle patient transport system according to embodiments of the present disclosure;

[0020] FIG. 5B depicts a partial cutaway side perspective view of an emergency vehicle patient transport system according to embodiments of the present disclosure;

[0021] FIG. 5C depicts a partial cutaway side perspective view of an emergency vehicle patient transport system according to embodiments of the present disclosure;

[0022] FIG. 5B depicts a partial cutaway side perspective view of an emergency vehicle patient transport system according to embodiments of the present disclosure;

[0023] FIG. 5D depicts a partial cutaway side orthographic view of an emergency vehicle patient transport system according to embodiments of the present disclosure;

[0024] FIG. 5E depicts a partial cutaway side orthographic view of an emergency vehicle patient transport system according to embodiments of the present disclosure;

[0025] FIG. 6A depicts a side perspective view of an emergency vehicle patient transport system according to embodiments of the present disclosure;

[0026] FIG. 6B depicts a side perspective view of an auxiliary storage module according to embodiments of the present disclosure;

[0027] FIG. 7A depicts a side perspective view of a multi-position seat according to embodiments of the present disclosure;

[0028] FIG. 7B depicts a side perspective view of a multi-position seat according to embodiments of the present disclosure;

[0029] FIG. 7C depicts a side perspective view of a multi-position seat according to embodiments of the present disclosure;

[0030] FIG. 7D depicts a side perspective view of a multi-position seat according to embodiments of the present disclosure;

[0031] FIG. 8A depicts a side orthographic view of a cot securing member according to embodiments of the present disclosure;

[0032] FIG. 8B depicts a side orthographic view of a cot securing member according to embodiments of the present disclosure;

[0033] FIG. 9 depicts a partial cutaway side perspective view of an emergency vehicle patient transport system according to embodiments of the present disclosure; and

[0034] FIG. 10 depicts a schematic diagram of an emergency vehicle patient transport system according to embodiments of the present disclosure.

[0035] The embodiments set forth in the drawings are illustrative in nature and not intended to be limiting of the invention defined by the claims. Moreover, individual features of the drawings and invention will be more fully apparent and understood in view of the detailed description.

DETAILED DESCRIPTION

[0036] As used herein with the various illustrated embodiments described below, the following terms include, but are not limited to, the following meanings.

[0037] The term “emergency vehicle” means a vehicle for treatment and transportation of sick or injured people such as for example, a van, a station wagon, a bus, a helicopter, a fixed-wing aircraft, a boat, a ship, and the like.

[0038] The term “loading passage” means an aperture that provides access to a portion of an emergency vehicle that is configured to hold people, cargo, and the like. The loading passage may include a door, for example, a sliding door, or a swiveling door in one or more exemplary embodiments.

[0039] The term “cot” means a device configured to carry an injured, a dead, or an incapacitated person from one place to another such as for example, a stretcher, a wheeled stretcher, a litter, and the like.

[0040] The term “swivel” means to turn or rotate about an axis such as for example, to spin, to twist, to turn, and the like.

[0041] The term “tilt” means to transition an object throughout alternate positions such as for example, to rock, to lean, to incline, and the like.

[0042] The term “translation member” means a device that allows for constrained relative motion between two or more objects, which may or may not be lubricated, such as for example, a roller, a bearing, a sliding track, a guide block, and the like.

[0043] The term “coupled” means that multiple objects are united together such as for example, bolted, welded, anchored, integral, and the like. “Coupled” may mean that the respective objects are directly joined together or the respective objects may be joined together by one or more components there between.

[0044] The term “ceiling” means any interior surface of an emergency vehicle with a surface normal vector having vector component pointing in opposite direction of gravity.

[0045] The term “floor” means any interior surface of an emergency vehicle with a surface normal vector having a vector component pointing in the same direction as gravity.

[0046] The term “crash event” means a rapid alteration of the motion of an emergency vehicle such as for example, a collision, an evasive maneuver, a sudden stop, a bump, and the like.

[0047] The phrase “mitigate the transfer of energy between” means to absorb or disperse a portion of energy as it travels from a first object to a second object, from a second object to a first object, or from a first object to a second object and from a second object to a first object to limit any of a vibration, translation, extension, compression, and the like of any of the objects.

[0048] The term “slidingly engaged” means to join two or more objects together in a way that enables a constrained relative motion between the two or more objects.

[0049] The term “actuator” means mechanism that supplies and transmits a measured amount of energy for the operation of another mechanism or system, such as for example, a hydraulic press, a motor, a mechanical linkage, an electromechanical system, and the like.

[0050] The term “bio-safe material” means a substance that prevents, inhibits or kills the growth of microorganisms such as protozoa, viruses, bacteria, fungi, mold, mildew, and the like.

[0051] The embodiments described herein generally relate to emergency vehicle patient transport systems. As will be described in more detail herein, an emergency vehicle patient transport system generally comprises a chair and one or more tracks. The systems are generally configured to transport one or more people who may be injured or incapacitated. The operation and structure of embodiments of the present disclosure will be described in more detail below, with each of the above stated components described in turn.

[0052] As shown in FIGS. 1-4E, embodiments of the emergency vehicle transport system 10 comprise a chair 100 and an emergency vehicle 200. The chair 100 is slidingly engaged with one or more tracks 210, and vertically positioned between the floor 202 of the emergency vehicle 200 and the ceiling 204 of the emergency vehicle 200. The chair 100 may be configured to provide various configurations as will be described in more detail below.

[0053] With reference to FIG. 1, embodiments of the emergency vehicle transport system 10 comprise a loading passage 206, one or more tracks 210, a patient loading member 220, and a chair 100. The loading passage 206 provides access to the interior of the emergency vehicle 200, and may be any shape. The one or more tracks 210 are coupled to the floor 202, the ceiling 204, a wall 208 or combinations thereof wherein, a travel path 212 is delineated by the one or more tracks 210. It is noted that, the tracks 210 may be integral with a surface such as, for example, a long opening or tunnel in the floor 202 or ceiling 204. Thus, as defined above, coupled may mean that objects are integral with one another.

[0054] The patient loading member 220 may be coupled to the floor 202 and is configured to accept a cot at the loading passage 206, guide the cot along a loading direction 222, and secure the cot at a transport position 224. The transport position 224 may be any position that provides for the secure transport of a cot containing a person. For example, after a cot is accepted by the patient loading member 220, it may be manually pushed along the loading direction 222, and the chair may be configured to have contemporaneous motion along the travel path 212 while the cot is in motion. It is noted that, the cot may be guided along the loading direction 222 by manual pushing, mechanical actuation, electrical actuation, and the like.

[0055] Referring now to FIGS. 8A and 8B, embodiments of the emergency vehicle transport system 10 comprise a cot securing member 350 coupled to the floor 202 that cooperates

with an extensible cot **358** to lift a patient along a cot raising direction **356**. The cot securing member **350** comprises a cot engagement surface **352** and an extending column **354**. The cot engagement surface **352** is coupled to the top of the extending column **354**. The extensible cot **358** is configured to engage with the cot engagement surface **352**. For example, the extensible cot **358** can be manually loaded onto the emergency vehicle **200** along the loading direction **222**, and as the extensible cot **358** passes over the engagement surface a locking portion of the extensible cot **358** engages a corresponding portion of the cot engagement surface **352**. The patient is lifted as the extending column **354** moves along the cot raising direction **356**, and the linkage of the extensible cot **358** expands. The extending column **354** is depicted as a hydraulic press, and may be any type of actuator such as, for example, a mechanical linkage, an electromechanical actuator, and the like. In another embodiment, the cot securing member **350** is configured to raise and lower a cot engaged with the cot engagement surface **352**.

[0056] In further embodiments, as depicted in FIGS. 1 and 8B, the chair **100** is configured to move synchronously with the cot. For example, the chair **100** automatically moves along the travel path **212** in accordance with the motion of the cot as the cot is guided along or against the loading direction **222**. In other embodiments, the chair **100** may automatically transition between set positions (described in more detail below) in accordance with the motion of the cot as it is raised or lowered. In one commercial embodiment, the cot may be moved by an electrical actuation device such as the devices described in U.S. Pat. No. 7,521,891 assigned to Ferno-Washington, Inc. and the POWERFlex™+ICS Integrated Charging System produced by Ferno-Washington, Inc., which is used as a cot fastener and a power source for powered cots. The synchronous motion may be provided by an automated actuation such as mechanical actuation or electrical actuation. The synchronization of the cot and chair **100** may be achieved using various components, for example, sensors, linear synchronous motors, mechanical linkages, electro-mechanical actuators, hydraulic actuators, and the like.

[0057] In another embodiment, the chair **100** comprises a bio-safe material. For example, the chair **100** may be coated with a bio-safe material, such as, but not limited to, an antimicrobial. Alternatively, the chair **100** comprises solid materials such as plastics, coatings, textiles, ceramics and paper with integral bio-safe material.

[0058] In further embodiments of the present disclosure, as shown in FIGS. 1, 4A, 4B, 4C, and 10 the one or more tracks **210** may comprise a ceiling track **214** coupled to the ceiling **204** and a floor track **216** coupled to the floor **202**. The tracks **210** may be coupled above surface, i.e. disposed in a position that is in the positive direction of the surface normal relative to the surface, or recessed, i.e. disposed in a position that is in the negative direction of the surface normal relative to the surface. Thus, the tracks **210** may be visible to an occupant of the emergency vehicle **200** or hidden from view. Additionally, the tracks **210** may be shaped in any manner that delineates a travel path **212** that provides access to a cot in the transport position **224**. The tracks **210** are depicted in FIG. 1 as being J-shaped. However, the tracks **210** may be any shape such as, but not limited to, straight, L-shaped, U-shaped **402** (FIG. 10), O-shaped **404**, faceted, and the like. Similarly, the one or more tracks **210** may comprise any shape cross-section that provides for constrained relative motion with a translation member. Thus, while FIGS. 1, 4A, and 4C depict a C-channel

cross-section, the tracks may comprise any other shape such as, circular, square, and the like.

[0059] Referring to FIG. 1, the chair **100** may comprise one or more ceiling translation members **110** slidably engaged with the ceiling track **214** and/or one or more floor translation members **120** slidably engaged with the floor track **216**. The one or more ceiling translation members **110** and/or the one or more floor translation members **120** may comprise roller wheels **113**. It is noted that while, roller wheels **113** are depicted, it is contemplated that the translation members **110** and **120** may comprise any device that allows for constrained relative motion between the translation members **110** and **120** and the one or more tracks **210**, as described hereinabove.

[0060] As shown in FIGS. 1 and 4A, the chair **100** may also comprise a vertical member **130** extending from the ceiling translation members **110** to the floor translation members **120**. Moreover, the chair **100** further comprises a seat **131** comprising an upper portion **102** and a lower portion **104**. As used herein, "seat" refers to the support members (for example, cushioned support members) which contacts the person (for example, the EMT) disposed in the chair. The upper portion **102** is the support for upper torso (i.e., the back and lumbar sections of the EMT) and may also encompass supports for the head and neck, whereas the lower portion is the support for the lower torso i.e., the buttocks and legs. The seat **131** may comprise an upper chair junction **136** adjacent the upper portion **102** and rotatably joined to an upper frame junction **132** of the vertical member **130** via an upper arm **134** there between. The seat **131** also a lower chair junction **138** adjacent the lower portion **104** and rotatably joined to the vertical member **130** via a lower arm **140** there between.

[0061] As shown in FIGS. 1, 4A, and 4B, in embodiments of the emergency vehicle transport system **10**, the chair **100** comprises one or more ceiling absorption members **150** disposed between the vertical member **130** and the one or more ceiling translation members **110**, and one or more floor absorption members **160** disposed between the vertical member **130** and the one or more floor translation members **120**. The one or more ceiling absorption members **150** are configured to mitigate the transfer of energy between the one or more ceiling translation members **110** and the vertical member **130**. The one or more floor absorption members **160** are configured to mitigate the transfer of energy between the one or more floor translation members **120** and the vertical member **130**. It is noted that, the absorption members **146**, **150** and **160** may be any device suitable to disperse energy, such as, but not limited to, a shock, a strut, a spring, a piezoelectric component, a rubber bumper, a crumple pad, and the like.

[0062] Referring again to FIGS. 1 and 4B, in further embodiments of the emergency vehicle transport system **10**, the one or more ceiling translation members **110** comprise a first ceiling translation member **112**, and a second ceiling translation member **114**, and the one or more floor translation members **120** comprise a first floor translation member **122**, and a second floor translation member **124**. The one or more ceiling absorption members **150** comprise a first ceiling absorption member **152**, and a second ceiling absorption member **154**. The one or more floor absorption members **160** comprise a first floor absorption member **162**, and a second floor absorption member **164**. The first ceiling absorption member **152** may extend from the first ceiling translation member **112** to an upper triangulation point **156** of the vertical member **130**. The second ceiling absorption member **154** extends from the second ceiling translation member **114** to

the upper triangulation point **156** of the vertical member **130**. The first floor absorption member **162** extends from the first floor translation member **122** to a lower triangulation point **166** of the vertical member **130**. The second floor absorption member **164** extends from the second floor translation member **124** to the lower triangulation point **166** of the vertical member **130**. While, the first ceiling absorption member **152**, the second ceiling absorption member **154**, the first floor absorption member **162**, and the second floor absorption member **164** are coupled to the vertical member **130**. Again, it is noted, the absorption members **152**, **154**, **162**, and **164** may be any device suitable to disperse energy, as described above.

[0063] As depicted in FIGS. 4D and 5B-5E, embodiments of the chair **100** comprise a vertical member **130** forming a curve between the ceiling **204** and the floor **202**. The vertical member **130** is substantially “bow” shaped, such that it partially surrounds the seat **131**. In another embodiment, the chair **100** comprises a vertical channel **300** along an upper portion of the vertical member **130**. A seat support member **310** is coupled to an upper support translation member **312** that is slidingly engaged within the vertical channel **300** at a first end **311**, and is coupled to a channel pivot member **306** that is rotatably joined with the vertical member **130** at a second end **313**. A channel stop **304** terminates the vertical channel **300**, and is angled to define the outer end of the vertical channel **300**. Impact support wings **302** are coupled to the vertical member **130** and extend downward towards the floor **202**, thereby forming an extension adjacent to the vertical channel **300**.

[0064] Further embodiments of the chair **100**, depicted in FIGS. 4D and 5D, comprise a sliding upper body member **320** slidingly engaged with the seat support member **310**, and a posterior support **184** coupled to the seat support member **310**. A contoured head support **322** and a torso support **190** are coupled to the sliding upper body member **320** with the contoured head support **322** disposed above the torso support **190**. The sliding upper body member **320** slides towards the floor **202** or the ceiling **204** to adjust the location of the contoured head support **322** and the torso support **190** with respect to the posterior support **184**. A seat **131** is formed by the combination of the posterior support **184**, the contoured head support **322**, and the torso support **190**. A lap bar **314** and a rotating restraint **326** provide a locking enclosure about the seat **131**. The lap bar **314** is coupled to the sliding upper body member **320** and disposed above the posterior support **184**. The lap bar **314** is fixed and padded to provide a cushioned surface partially surrounding an aperture about the posterior support **184**. The rotating restraint comprises an outer bar **328** that is rotatably joined to the sliding upper body member **320**, and a chest restraint **330** that is coupled to the outer bar **328**. The chest restraint **330** defines a head aperture **332** and the chest restraint **330** and outer bar **328** in combination define shoulder apertures **334**. The head aperture **332** and shoulder apertures **334** provide openings in the enclosure. The rotating restraint **326** swivels about the sliding upper body member **320** between an open position (not shown) and a closed position. Therefore, the chair **100** provides ergonomic and secure seating for an EMT. For example, once the height of an EMT is known, the sliding upper body member **320** is adjusted to match the height. The rotating restraint **326** is opened by swiveling the chest restraint **330** towards the ceiling. The EMT sits in the chair **100** and positions each shoulder in the shoulder apertures **334** and her head through the head aper-

ture **332**. Once the EMT is seated, the rotating restraint **326** swivels closed, and secures the EMT in the chair **100**. Thus, it is noted that the rotating restraint may lock in any position within its range of motion to accommodate EMT's with varying body types.

[0065] In an embodiment depicted in FIGS. 4E, 4F, 5B, 5C, and 5E, the seat **131** comprises locking mechanisms **344** rotatably joined to the sliding upper body member **320** and hip grabbers **340** rotatably joined with the lap bar **314**. The locking mechanisms **344** are coupled to the harnesses **286** which extend to and are coupled to the hip grabbers **340**. The locking mechanisms **344** tighten the harnesses **286** when the harnesses **286** are pulled suddenly, but offer little resistance when the harnesses **286** are pulled slowly. The locking mechanisms **344** are inertia reels, but may also comprise a centrifugal clutch, a weighted pendulum, a weighted ball bearing, or any other electro-mechanical actuator. In another embodiment, the seat **131** comprises hip actuator **342** disposed within the lap bar **314**. The hip actuator **342** is rotatably joined with the hip grabbers **340** and open (FIG. 4E) and close (FIG. 4D) the hip grabbers **340**. Thus, providing secure seating for an EMT. For example, an EMT sits on the posterior support **184** and slides each arm beneath the harnesses **286** while the seat **131** is in the open position (FIG. 4E). A pressure sensor within the posterior support **184** and in electrical communication with the hip actuator **342** senses the presence of the EMT. The pressure sensor transmits an electronic signal indicative of the EMT's presence to the hip actuator **342**, and the hip actuator **342** rotates the hip grabbers **340** to the closed position (FIG. 4D). It is noted that while a pressure sensor is described hereinabove, any type of system may be utilized to indicate the presence of the EMT such as, for example, a button, a thermal sensor, a imaging system, or an acoustic system.

[0066] Referring now to FIG. 4A, the chair **100** may also comprise a knee member **142** and one or more knee pads **144** attached to the knee member **142** wherein, the lower chair junction **138** rotatably joins the lower arm **140** to the knee member **142**, and the knee member **142** extends to the one or more knee pads **144**. In further embodiments, the upper arm **134** comprises an upper chair absorption member **146** configured to mitigate the transfer of energy between the upper portion **102** and the vertical member **130**, or vice versa.

[0067] In further embodiments of the emergency vehicle transport system **10**, as shown in FIGS. 4D, 5D and 5E, a knee actuator **316** is coupled to the seat support member **310**. The knee member **142** is slidingly engaged with the knee actuator **316**, and extends away from the seat support member **310**. The knee member **142** is coupled to the knee pad **144**, and the knee actuator **316** extends and retracts the knee member **142**. For example, the knee actuator **316** applies a linear force to the knee member **142** and extends the knee support **145** away from the posterior support **184** to provide an ergonomic seating arrangement. Furthermore, it is noted that, the actuation of the knee actuator **316** may be synchronized with the tilting forward of the chair **100** or set positions, as described hereinafter.

[0068] Referring again to the embodiment of FIG. 1, the chair **100** further comprises a tilt control **148** which is operable to enable or disable a tilting forward of the chair **100**. The tilt control **148** may be any suitable actuation mechanism such as a lever, switch, button, or combinations thereof. Upon actuation of the tilt control **148**, an emergency medical technician (EMT) seated in the chair **100** may lean forward (FIG.

4C) and cause the chair 100 to tilt forward. Thus, an EMT may remain secured in the chair 100 by a harness 286 while tending to a patient in a cot secured in the transport position 224.

[0069] Further embodiments of the present disclosure provide for tilting forward and are depicted in FIGS. 5B-5E. In one embodiment the EMT tilts forward by loosening the tension on the harnesses 286. For example, the EMT may be attending to a patient (FIG. 5B) and require additional reach. The locking mechanisms 344 release tension on the harnesses 286 and allow the EMT to tilt forward (FIG. 5C). The release of tension may be commenced by the tilt control or via an automated process, such as synchronization. In another embodiment an EMT tilts forward by causing the first end 311 of the seat support member 310 to slide along the vertical channel 300 while the second end 313 to rotates about the channel pivot member 306. Chair 100 slides throughout the full extent of the vertical channel 300. For example, the chair 100 can be upright (FIG. 5D), tilted (FIG. 5E) such that the upper support translation member 312 reaches the channel stop 304, or any position in between. In another embodiment, the chair 100 reclines to provide a comfortable riding position for an EMT during long transports. For example, the EMT may tilt backwards by the tilt control or via an automated process, such as synchronization.

[0070] In embodiments wherein the chair is coupled to the ceiling track 214 as shown in FIG. 2, the chair 100 may comprise a pivot junction 170 rotatably joining the vertical member 130 to a lower portion 104 of the chair 100. Moreover, the chair 100 may comprise an adjustable headrest 172 slidably engaged with the vertical member 130 and operable to slide at least a portion of the distance between the ceiling 204 and the pivot junction 170. Thus, the adjustable headrest 172 may be configured to be in alignment with the head and shoulder area of a user and accommodate users of various heights. A bottom absorption member 174 extends from the vertical member 130 to the lower portion 104 of the seat 131 and is configured to mitigate the transfer of energy between the vertical member 130 and the lower portion 104.

[0071] In alternative embodiments wherein the chair 100 is coupled to the floor 202 as shown in FIG. 3A, the chair 100 may comprise a vertical support 180 slidably engaged to the floor track 216. A seat junction 182 rotatably joins the vertical support 180 to a vertical member 130 and a posterior support 184. A head-neck-shoulder (HNS) junction 186 rotatably joins the vertical member 130 to a HNS support 188. A torso support 190 is slidably engaged with the vertical member 130 and is operable to slide at least a portion of the distance between the HNS junction 186 and the posterior support 184.

[0072] Referring to the embodiments depicted in FIG. 3B, the chair 100 may comprise an adjustable HNS clamp 194 rotatably joined to the HNS support 188 and operable to lock in multiple positions. The HNS support 188 may have a pair of extensions providing surfaces contoured to the HNS area of a user, and may be "U" shaped or "C" shaped, for example. In still further embodiments, depicted in FIG. 3C, the chair 100 comprises an adjustable torso clamp 192 rotatably joined to the torso support 190, and operable to lock in multiple positions. Thus, the clamps 192 and 194 comprise various configurations to accommodate various neck circumferences, shoulder widths, over-bust circumferences, bust circumferences, under-bust (rib-cage) circumferences, natural waist circumferences, upper hip circumferences, lower hip circumferences, and the like. The clamps 192 and 194 may comprise a ratcheting mechanism providing for a discrete progression

throughout a range of motion. Furthermore, the clamps 192 and 194 may operate to supplement or replace a safety belt or harness 286 by locking in a position such that a seated EMT is secured in the chair 100 during transit of the emergency vehicle 200.

[0073] According to additional embodiments, as depicted in FIGS. 5A-5E, and 10, the chair 100 is configured to lock in one or more set positions. When locked, the chair 100 will not slide along the tracks 210. Thus, the chair 100 is in a single, or set position with respect to the tracks 210. Additionally, the set positions orient the chair 100 with respect to a cot secured to the patient loading member 220. The chair 100 is oriented such that an EMT securely seated within the chair 100 is capable of administering medical treatment to a patient in the cot. For example, the chair 100 may be locked within the lateral zone 292 facing a patient. Since the tracks 210 are proximately positioned to the cot, an EMT secured to the chair 100 is within arms reach of the patient. The set positions comprise an airway care position 225, an extended airway care position 226, a procedural care position 227, a responder position 228 and 428, a patient care position 229 and 429, a patient load position 230 and 430, and a lower care position 231 and 431. Furthermore, when the tracks 210 are U-shaped 402 or O-shaped 404 (FIG. 10), a responder position 228 and 428, a patient care position 229 and 429, a patient load position 230 and 430, and a lower care position 231 and 431 may be disposed on each side of the patient cot. Each of the set positions will be described in greater detail below.

[0074] An embodiment of the patient load position 230 is depicted in FIG. 5A. In the patient load position 230, the chair 100 is facing a direction opposing the loading direction 222 near the loading passage 206. An EMT securely seated in the chair 100 is at the head of a patient secured to a cot as it is being loaded through the loading passage 206. Thus, the EMT is favorably positioned to administer care to the patient. Furthermore, it is noted that while the chair 100 is locked in a set position the chair 100 may tilt or swivel. For example, the chair 100 may swivel while in the patient load position 230 to enable an EMT to perform a cardiopulmonary resuscitation on a patient entering through the loading passage 206.

[0075] Referring still to FIG. 5A, an embodiment of the responder position 228 is depicted. In the responder position 228, the chair 100 is pointing along the loading direction 222. Thus, an EMT seated in the chair 100 is facing the same direction as the loading direction 222. The responder position may be set when the emergency vehicle 200 is traveling. For example, in an ambulance the loading direction 222 is also the forward travel direction of the ambulance. Thus, an EMT seated in the responder position 228 would be positioned in a similar fashion to the driver of the ambulance. In other embodiments, the responder position 228 may be set to any orientation that offers a seating position analogous to other seating within the vehicle such as, for example, a driver's seat or a passenger seat.

[0076] Referring now to FIGS. 5A and 5B, embodiments of the airway care position 225 are depicted. The airway care position 225 is disposed within the head end zone 290. The head end zone 290 is the portion of the emergency vehicle 200 that is about the tracks and near the head of a patient secured within the emergency vehicle 200. An EMT securely seated within the chair 100 is capable of administering a treatment to the head of the patient by tilting forward. When in the airway care position 225, the chair 100 may tilt such that the seat support member 310 rotates about the channel pivot member

306 and the upper support translation member **312** slides within the vertical channel **300**. For example, the EMT may administer an intubation procedure without departing from the chair **100** by tilting forward until the upper support translation member **312** reaches the channel stop **304**. In another embodiment, depicted in FIG. 5C, additional tilting is enabled. The extended airway care position **226** is disposed near the head of a patient secured within the emergency vehicle **200**. An EMT securely seated within the chair **100** is capable of administering a treatment to the head or torso of the patient by tilting forward. Additional reach is provided by a loosening of tension within the locking mechanism **344**. The loosened tension provides slack in the harness **286** and provides the EMT with greater freedom of motion while still remaining secured by the hip grabber **340**.

[**0077**] Embodiments of the patient care position **229** are depicted in FIGS. 5A, 5D, 10. The patient care position **229** is disposed within the lateral zone **292**. The lateral zone **292** is the portion of the emergency vehicle **200** that is about the tracks and along the side of a patient secured within the emergency vehicle **200**. An EMT securely seated within the chair **100** is capable of administering a treatment to the body of the patient by reaching forward. An embodiment of the procedural care position **227** provides greater reach to the EMT, and is depicted in FIG. 5E. The procedural care position **227** is disposed in the same location as the patient care position **229**, but with additional tilting. When in the procedural care position **227**, the chair **100** is tilted such that the seat support member **310** is rotated about the channel pivot member **306** and the upper support translation member **312** reaches the channel stop **304**. Furthermore, it is noted that embodiments of the procedural care position **227** may be disposed at any position along the tracks **210** such as, but not limited to, the patient care position **229** and **429** and the lower care position **231** and **431**.

[**0078**] Embodiments of the lower care position **231** and **431** are depicted in FIG. 10. The lower care position **231** is disposed within the near the loading passage **206**. An EMT securely seated within the chair **100** is capable of administering a treatment to the feet and legs of the patient by reaching forward. It is noted, that while embodiments of the lower care position **231** and **431** are depicted with U-shaped **402** or O-shaped **404** tracks **210**, the lower care position **231** and **431** may be used with any of the tracks **210** disclosed herein.

[**0079**] Referring again to FIGS. 5A-5E, it is noted that while only a finite number of set positions were designated above, the chair **100** may be adjusted and locked throughout its entire range of motion. For example, the chair **100** may be locked at any location along the tracks **210**, and not just within the head end zone **290** or the lateral zone **292**. Furthermore, the chair **100** may swivel about or tilt through an infinite number of positions. Therefore, while only the airway care position **225**, the extended airway care position **226**, the procedural care position **227**, the responder position **228**, the patient care position **229**, and the patient load position **230** are designated herein, the chair **100** may freely pass through or lock in any position allowable by the structure described and depicted in the present disclosure.

[**0080**] Referring again to FIG. 1, the embodiments may comprise a motion control **232** which is operable to set a free float mode or a synchronous mode. The motion control **232** may include a button, switch, or any other suitable component operable to enable toggling between modes. When the chair **100** is set to the free float mode, the chair **100** moves inde-

pendently of the automated actuation described hereinabove. Therefore, when in the free float mode the chair **100** moves along the travel path **212**, tilts, swivels, or locks in set positions based solely on an EMT's input. The chair **100** moves synchronously according to the automated actuation described hereinabove, when set to synchronous mode. For example, when in the synchronous mode the chair **100** moves along the travel path **212**, tilts, swivels, or locks in set positions in a motion coordinated with the loading or lifting of a patient cot, as described herein.

[**0081**] Referring still to FIG. 1, the chair **100** may further comprise a lever **234**, which upon actuation, enables the chair **100** to swivel about the vertical member **130**. The chair **100** may be configured to swivel freely, or may be limited to a set range such as for example, swiveling 180°. Additionally, the chair **100** may comprise a quick release button disposed under the chair **100** or a rocker switch configured for simple control of any motion of the chair **100**.

[**0082**] In other embodiments, depicted in FIG. 4D, the chair **100** moves in a vertical direction **106** and/or a horizontal direction **108** via manual pushing, mechanical actuation, electrical actuation, and the like. In one embodiment, the chair **100** moves within the vertical member **130**. In another embodiment, the vertical member **130** moves in the vertical direction **106** and/or a horizontal direction **108**.

[**0083**] In further embodiments of the present disclosure, as depicted in FIGS. 6A and 6B, the chair **100** comprises an auxiliary storage module **240** that is removably attached to the chair **100**. The auxiliary storage module may comprise a pull-up handle **242**, a shoulder strap **244**, and a wheel **246**. In additional embodiments, the auxiliary storage module **240** comprises a flip top **248** and a pullout drawer **250** or a pivot drawer **252** wherein, the flip top **248** provides access to a laptop computer, a clipboard, or a disposable sharps storage. The pullout drawer **250** is a generally box-shaped storage accessible by sliding along a transverse direction. The pivot drawer **252** is a generally triangular-shaped storage accessible by swiveling. The flip top **248** may comprise a linkage which enables multiple tiers to be raised for access or collapsed for compact storage (not shown). In further embodiments, the auxiliary storage module **240** comprises a shallow storage **254** recess having a non-slip surface **256**. The non-slip surface **256** may comprise any material suitable to provide additional friction such as for example, an epoxy, a rubber, an abrasive, and the like.

[**0084**] In still further embodiments of the present disclosure, as depicted in FIGS. 1, 6A, and 7A-7D, the emergency vehicle transport system **10** comprises a multi-position seat **260**. The multi-position seat **260** is coupled to a wall **208** of the emergency vehicle **200**, and comprises a seating portion **268** slidably engaged with a transition track **270**, and a locking release switch **267**. The multi-position seat **260** transitions from a flat configuration **262** to a bench configuration **264**, and from the bench configuration **264** to either the flat configuration **262** or a jump seat configuration **266**. The transitions are reversible. Thus, multi-position seat **260** transitions from the jump seat configuration **266** to the bench configuration **264**, and from the bench configuration **264** to either the flat configuration **262** or the jump seat configuration. The multi-position seat **260** changes between the flat configuration **262** and the bench configuration **264** by releasing or locking the seating portion **268** with the locking release switch **267** and rotating the seating portion **268** about hinges. The multi-position seat **260** changes between the bench con-

figuration 264 and the jump seat configuration 266 by sliding the seating portion 268 along the transition track 270. Additionally, it is noted, that the term “wall” as used herein means any surface of the emergency vehicle 200.

[0085] Referring now to FIG. 1, further embodiments of the present disclosure comprise a multi-position seat 260 with recessed surfaces 272 for securing a cot. The multi-position seat 260 is in the bench configuration 264 and the recessed surface 272 are shaped to secure a cot. For example, a cot with wheels may be secured by providing recessed surfaces 272 that are contoured to match the shape of the wheels. Thus, when the cot is placed on the multi-position seat 260 the recessed surfaces engage the wheels and prevent the cot from moving.

[0086] In further embodiments, depicted in FIGS. 7C and 7D, the multi-position seat 260 comprises a pivoting section 275. The pivoting section 275 is rotatably joined and slidingly engaged with the transition track 270. In one embodiment (FIG. 7C) the multi-position seat comprises a lounge configuration 263. The multi-position seat 260 transitions to the lounge configuration from the bench configuration 264 by sliding along the transition track 270 and rotating a pivoting section 275 in a rotating direction 276. In another embodiment (FIG. 7D), the multi-position seat comprises a dual-jumpseat configuration 265. The multi-position seat 260 transitions from the bench configuration 264 to the dual-jumpseat configuration 265 by sliding the opposing sides of the seating portion 268 along the transition track in a compressing direction 277, and rotating a pivoting section 275. In a further embodiment, the multi-position seat 260 comprises a soft storage bag 274. The soft storage bag is disposed on the bottom of the seating portion and provides storage accessible via a zipper. In yet another embodiment, the multi-position seat 260 comprises retracting safety belts 261. The retracting safety belts 261 secure an occupant of the multi-position seat against movement. For example, an occupant may be secured in the multi-position seat by buckling a locking mechanism of the retracting safety belt 261 about the waist.

[0087] Referring again to FIGS. 1, 4A, and 4C embodiments of the chair 100 comprise an earphone 280 and an audio microphone 282. The earphone 280 and audio microphone 282 may be disposed in proximity to the head of an EMT seated in the chair 100, and may facilitate hands-free communication between an EMT seated in the chair 100 and any other person via radio, wireless network, blue tooth, internet, and the like.

[0088] In additional embodiments, the chair 100 comprises a video feed 284 operable to transmit images from the emergency vehicle 200. The video feed may be any device capable of capturing and transmitting still or moving images such as, for example, digital camera, web cam, camcorder, and the like. The images may be transported via wireless network, etc. or via a recorded medium. In another embodiment, the chair 100 comprises a fold-away table (not shown). The fold-away table can be pulled out upwards and folded down for use as a writing surface by an EMT. Similarly, the fold-away table can be folded up and pushed in downwards for storage. For example, fold-away tables are commonly used in the passenger compartment of airliners, as described in U.S. Pat. No. 6,793,281, the entirety of which is incorporated by reference herein.

[0089] Additional embodiments of emergency vehicle patient transport systems comprise an on-board vehicle electronic monitoring system. The on-board vehicle electronic

monitoring system is a network of sensors and computers, such as the RS-3000 Vehicle System by Road Safety, interconnected throughout the emergency vehicle. The sensors are in electrical communication with the network and monitor, for example, vehicle speed, vehicle RPM, idle time, over speeds, hard accelerations, hard decelerations, chair occupancy, g-force, and the like. In one embodiment the on-board vehicle electronic monitoring system is in electrical communication with a sensing member. For example, the chair 100 may comprise a seat sensor that transmits an electrical signal indicative of the occupancy of the seat to the on-board vehicle monitoring system. In another embodiment, the chair 100 comprises a locking mechanism in electrical communication with the on-board vehicle electronic monitoring system. The sensing member senses a crash event such as for example, an accelerometer, transducer, and the like. When a crash event is sensed, by for example an increase in g-force on the vehicle, the on-board vehicle electronic monitoring system transmit an electrical signal to the locking system that triggers the locking system to lock the chair 100. The locking system incorporates components and actuators of the chair 100 described hereinabove, such as, the tilt control 148, the adjustable torso clamp 192, adjustable HNS clamp 194, the locking mechanism 344, the harnesses 286, the rotating restraint 326, the hip actuator 342, and so on. For example, when a crash is detected, the on-board vehicle electronic monitoring system transmits an electrical signal to the chair 100 causing the chair 100 to lock in place and tighten the harness 286 to secure an EMT. Additionally, either or both of the chair 100 and the patient loading member 220 can comprise an airbag (not shown). The air bag may be disposed at a position near a head of a patient in a cot engaged with the patient loading member 220. Thus, during a crash event, airbags may be deployed adjacent to the heads of an EMT or a patient.

[0090] In a further embodiment, depicted in FIGS. 4E and 4F, the chair 100 comprises environmental controls 346. The environmental controls 346 control the environment heating, cooling, oxygen, suction, lights, and the like. Thus, as described herein, EMT safety and environmental performance may be controlled and monitored.

[0091] In another embodiment, depicted in FIG. 9, the emergency vehicle transport system 10 comprises a mass casualty system 360 having a wall fixture 362 coupled to the wall 208. A pivoting attachment 364 is rotatably joined with the wall fixture 362 and coupled to a rotating arm 366. Clasp mechanisms 368 are disposed at both ends of the rotating arm 366, and removably secure a portion of a cot. The rotating arm 366 provides a collapsible fixture for holding additional cots in the emergency vehicle 200. For example, two additional cots may be transported by coupling two wall fixtures 362 to the wall 208. Each of the wall fixtures 362 are rotatably joined with two rotating arms 366. The four rotating arms 366 secure two cots when fully extended by holding the horizontal supports of a cot in the clasp mechanism. Thus, the cots may be disposed one above the other for secure transport. Furthermore, when the additional capacity is unneeded, the rotating arms 366 are stored against the wall 208.

[0092] Referring now to FIGS. 2, 3A, 4A and 4D, additional embodiments of emergency vehicle patient transport systems comprise an easy-removal mechanism to allow the chair 100, or components thereof, to be removed. For example, the pivot junction 170, seat junction 182, upper frame junction 132 and channel pivot member 306 may com-

prise a pin such as, for example, a ball lock pin, a hitch pin, a lynch pin, a safety pin, and the like for rapid disassembly. In one embodiment, the bottom absorption member 174 (FIG. 2) comprises a release actuator which, when activated, separates the bottom absorption member 174 into multiple components. The seat 131 is removed by separating the bottom absorption member 174 and removing a pin from the pivot junction 170. In another embodiment, the lower chair junction 138 (FIG. 4A) comprises a threaded knob which, when removed frees the seat 131 from the lower arm 140. The seat 131 is removed by removing the threaded knob and removing a pin from the upper frame junction. In a further embodiment, the channel stop 304 (FIG. 4D) is removable, for example via screws or locking clasps. The chair 100 is disassembled by removing the channel stop 304 and removing a pin from the channel pivot member 306. In still further embodiments, the chair 100 may be removed from the vehicle by disengaging from the tracks 210, by for example an easy removal mechanism within the tracks 210 or the translation members 110 and 120.

[0093] It is further noted that terms like “preferably,” “generally,” “commonly,” and “typically” are not utilized herein to limit the scope of the claimed invention or to imply that certain features are critical, essential, or even important to the structure or function of the claimed invention. Rather, these terms are merely intended to highlight alternative or additional features that may or may not be utilized in a particular embodiment of the present invention.

[0094] Having described the invention in detail and by reference to specific embodiments thereof, it will be apparent that modifications and variations are possible without departing from the scope of the invention defined in the appended claims. More specifically, although some aspects of the present invention are identified herein as preferred or particularly advantageous, it is contemplated that the present invention is not necessarily limited to these preferred aspects of the invention.

[0095] It is noted that one or more of the following claims utilize the term “wherein” as a transitional phrase. For the purposes of defining the present invention, it is noted that this term is introduced in the claims as an open-ended transitional phrase that is used to introduce a recitation of a series of characteristics of the structure and should be interpreted in like manner as the more commonly used open-ended preamble term “comprising.”

What is claimed is:

1. An emergency vehicle patient transport system for transporting a patient on a cot comprising:

an emergency vehicle with a body defining an interior compartment which has a floor, a ceiling and a wall, the body has a loading passage which provides access to the interior compartment and defines a loading direction in which to load the cot into the interior compartment;

a track coupled to the floor or ceiling in which a travel path is delineated by the track;

a chair slidingly engaged with the track and selectively lockable both along the travel path and in one or more set positions selected from a group consisting of an airway care position, an extended airway care position, a procedural care position, a responder position, a patient care position, a lower care position and a patient load position; and

a multi-position seat coupled to the wall, the seat comprises a transition track and at least a pair of seat portions

slidingly engaged with the transition track, in which the seating portions are moveable about the transition track between a flat configuration, a bench configuration in which each of the seat portions defines a seat, and a jump seat configuration which orientates one of the seat portions as a seat back which faces in the loading direction.

2. The emergency vehicle patient transport system of claim 1 wherein the a multi-position seat comprises a locking release switch in which operation of the locking release switch permits the seating portions to transition about the transition track between the flat configuration, the bench configuration, and the jump seat configuration.

3. The emergency vehicle patient transport system of claim 1 wherein the multi-position seat transitions from the jump seat configuration to the bench configuration, and from the bench configuration to one of the flat configuration and the jump seat configuration.

4. The emergency vehicle patient transport system of claim 1 wherein the multi-position seat changes between the flat configuration and the bench configuration by rotating the seating portions about the transition track.

5. The emergency vehicle patient transport system of claim 1 wherein the multi-position seat changes between the bench configuration and the jump seat configuration by sliding the seating portions along the transition track.

6. The emergency vehicle patient transport system of claim 1 wherein the multi-position seat includes recessed surfaces shaped provided in the seat portions to secure the cot when the multi-position seat is in the bench configuration.

7. The emergency vehicle patient transport system of claim 6 wherein the cot has wheels and the recessed surfaces are contoured to match the shape of the wheels.

8. The emergency vehicle patient transport system of claim 1 wherein the multi-position seat comprises three seat portions rotatably and slidingly engaged with the transition track, and in which the jump seat configuration orientates a middle one of the three seat portions as a seat back for a pair of seats of which one of the seats faces in the loading direction and the other seat faces opposite the loading direction.

9. The emergency vehicle patient transport system of claim 1 wherein the multi-position seat comprises a soft storage bag located below at least one of the seat portions.

10. The emergency vehicle patient transport system of claim 1 wherein each of the seat portions has an associated safety belt.

11. The emergency vehicle patient transport system of claim 1 wherein further comprising a cot securing member coupled to the floor which secures the cot in a transport position within the interior compartment.

12. The emergency vehicle patient transport system of claim 1 wherein the chair moves synchronously along the travel path as the cot moves along the loading direction.

13. The emergency vehicle patient transport system of claim 1 wherein the chair further comprises a tilt control that enables or disables a tilting forward or a tilting backward of the chair.

14. The emergency vehicle patient transport system of claim 1 wherein:

the one or more tracks comprise a ceiling track coupled to the ceiling;

the chair comprises:

a seat comprising an upper portion and a lower portion;
a vertical member slidingly engaged with the ceiling track;

- a pivot junction rotatably joining the vertical member to the lower portion of the seat;
- an adjustable headrest slidingly engaged with the vertical member and disposed above the upper portion of the seat; and
- a bottom absorption member extending from the vertical member to the lower portion and configured to mitigate a transfer of energy between the vertical member and the lower portion of the seat.
- 15.** The emergency vehicle patient transport system of claim **1** wherein:
- the one or more tracks comprise a floor track coupled to the floor;
- the chair comprises:
- a vertical support slidingly engaged to the floor track;
- a seat junction rotatably joining the vertical support to a vertical member and a seat;
- a head-neck-shoulder (HNS) junction rotatably joining the vertical member to a HNS support; and
- a torso support slidingly engaged with the vertical member and operable to slide at least a portion of a distance between the HNS junction and the seat.
- 16.** The emergency vehicle patient transport system of claim **15** wherein the chair further comprises an adjustable HNS clamp that locks in multiple positions and is rotatably joined to the HNS support, an adjustable torso clamp that locks in multiple positions and is rotatably joined to the torso support, or combinations thereof.
- 17.** The emergency vehicle patient transport system of claim **1** wherein the one or more tracks are coupled above surface or recessed, and are straight, J-shaped, L-shaped, U-shaped, O-shaped or faceted.
- 18.** The emergency vehicle patient transport system of claim **1** wherein the one or more tracks comprise a C-channel cross-section, a circular cross-section, a square cross-section or a combination thereof.
- 19.** The emergency vehicle patient transport system of claim **1** further comprising a motion control operable to set a free float mode or a synchronous mode.
- 20.** The emergency vehicle patient transport system of claim **1** wherein the chair comprises a lever, which upon actuation, is configured to swivel the chair about the travel path.
- 21.** The emergency vehicle patient transport system of claim **1** wherein the chair comprises an auxiliary storage module removably attached to the chair.
- 22.** The emergency vehicle patient transport system of claim **1** wherein the chair comprises an earphone, an audio microphone, a video feed or combinations thereof.
- 23.** The emergency vehicle patient transport system of claim **1** further comprising an on-board vehicle electronic monitoring system and a sensing member in electrical communication with the on-board vehicle electronic monitoring system.
- 24.** The emergency vehicle patient transport system of claim **23** wherein:
- the chair further comprises a locking system in electrical communication with the on-board vehicle electronic monitoring system; and
- the locking system locks the chair in place when the sensing member detects a crash event.
- 25.** The emergency vehicle patient transport system of claim **1** wherein the chair further comprises environmental controls.
- 26.** The emergency vehicle patient transport system of claim **1** further comprising:
- a wall fixture coupled to the wall;
- a pivoting attachment rotatably joined with the wall fixture;
- an rotating arm coupled to and extending from the pivoting attachment; and
- a first clasp mechanism coupled to the rotating arm and disposed at a first end of the rotating arm; and
- a second clasp mechanism coupled to the rotating arm and disposed at a second end of the rotating arm wherein, the first clasp mechanism and the second clasp mechanism removably secure a cot.
- 27.** The emergency vehicle patient transport system of claim **1** wherein a connection between the chair and the track is maintained via at least a removable pin for rapid disassembly.
- 28.** A method of transporting a patient on a cot comprising utilizing the cot in the emergency vehicle patient transport system according to claim **1**.

* * * * *