

(19)



(11)

**EP 4 233 741 A3**

(12)

**EUROPEAN PATENT APPLICATION**

(88) Date of publication A3:  
**11.10.2023 Bulletin 2023/41**

(51) International Patent Classification (IPC):  
**A61B 17/16 (2006.01) A61B 17/17 (2006.01)**

(43) Date of publication A2:  
**30.08.2023 Bulletin 2023/35**

(52) Cooperative Patent Classification (CPC):  
**A61B 17/1617; A61B 17/1675; A61B 17/1714;  
A61B 17/1764**

(21) Application number: **23166977.1**

(22) Date of filing: **19.10.2015**

(84) Designated Contracting States:  
**AL AT BE BG CH CY CZ DE DK EE ES FI FR GB  
GR HR HU IE IS IT LI LT LU LV MC MK MT NL NO  
PL PT RO RS SE SI SK SM TR**

(72) Inventors:  
• **Mirochinik, Aryeh  
deceased (IL)**  
• **Sitry, Hagay  
3452908 Haifa (IL)**  
• **Haziza, Rafi  
2723516 Kiryat-Bialik (IL)**  
• **Weisman, Ran  
2514700 Kfar-Vradim (IL)**

(30) Priority: **19.10.2014 US 201462065701 P**

(62) Document number(s) of the earlier application(s) in  
accordance with Art. 76 EPC:  
**15804626.8 / 3 206 596**

(74) Representative: **Kolster Oy Ab  
Salmisaarenaukio 1  
P.O. Box 204  
00181 Helsinki (FI)**

(71) Applicant: **T.A.G. Medical Products Corporation  
Ltd.  
2513000 Doar-Na Oshrat (IL)**

**(54) A KIT INCLUDING A GUIDING SYSTEM AND A BONE MATERIAL REMOVAL DEVICE**

(57) A kit including a guiding system and a bone material removal device, including an arcuate element, a guiding element configured to be attached to the arcuate element, a cannula, slidably insertable into a portion of

the arcuate element, a cannulated bone material removal device having a longitudinal shaft, which is axially displaceable within the cannula.

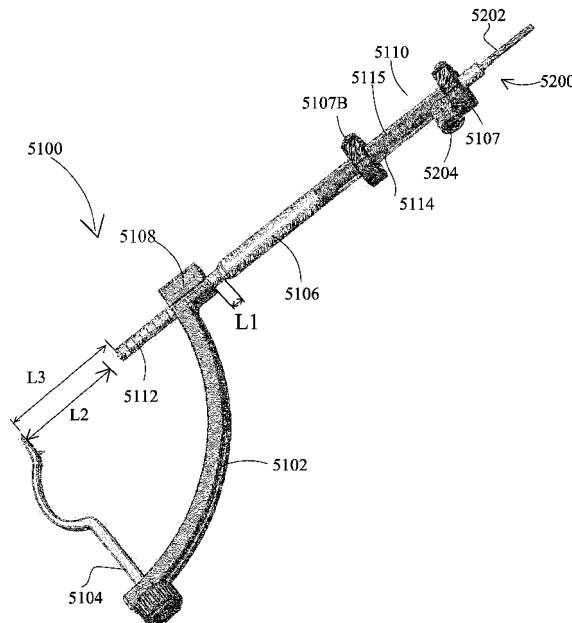


FIG.52

**EP 4 233 741 A3**



EUROPEAN SEARCH REPORT

Application Number

EP 23 16 6977

5

10

15

20

25

30

35

40

45

50

55

DOCUMENTS CONSIDERED TO BE RELEVANT			
Category	Citation of document with indication, where appropriate, of relevant passages	Relevant to claim	CLASSIFICATION OF THE APPLICATION (IPC)
X	WO 2014/089198 A1 (SMITH & NEPHEW INC [US]) 12 June 2014 (2014-06-12)	1-4, 13, 14	INV. A61B17/16
Y	* paragraphs [0033], [0034], [0047]; figures 4, 6-17g *	5, 7, 9-12	A61B17/17
	-----		
X	US 2006/195112 A1 (EK STEVEN W [US]) 31 August 2006 (2006-08-31)	1, 2, 4, 6, 8, 13-15	
	* paragraphs [0041], [0042], [0053], [0066], [0067], [0071], [0083], [0086], [0087], [0088]; figures 1-21 *		
	-----		
Y, D	US 5 112 337 A (PAULOS LONNIE E [US] ET AL) 12 May 1992 (1992-05-12)	5	
A	* the whole document *	2, 4, 6, 9	
	-----		
Y	US 2007/276392 A1 (BEYAR MORDECHAY [IL] ET AL) 29 November 2007 (2007-11-29)	7, 10	
	* paragraphs [0162], [0163]; figure 13 *		
	-----		
Y	US 2014/276844 A1 (BOURQUE BERNARD J [US] ET AL) 18 September 2014 (2014-09-18)	9	
A	* paragraphs [0052] - [0055]; figures *	2, 4, 13, 14	TECHNICAL FIELDS SEARCHED (IPC) A61B
	-----		
Y	US 2014/194880 A1 (SCHMIEDING REINHOLD [US] ET AL) 10 July 2014 (2014-07-10)	11, 12	
	* paragraphs [0037] - [0044]; figures *		
	-----		
A	US 2005/240193 A1 (LAYNE RICHARD W [US] ET AL) 27 October 2005 (2005-10-27)	8	
	* paragraphs [0093], [0094]; figures 10, 11 *		
	-----		
A	US 6 210 415 B1 (BESTER LEON W [US]) 3 April 2001 (2001-04-03)	15	
	* the whole document *		
	-----		
	-/--		
The present search report has been drawn up for all claims			
Place of search <b>Munich</b>		Date of completion of the search <b>31 August 2023</b>	Examiner <b>Hagberg, Åsa</b>
CATEGORY OF CITED DOCUMENTS		T : theory or principle underlying the invention E : earlier patent document, but published on, or after the filing date D : document cited in the application L : document cited for other reasons ----- & : member of the same patent family, corresponding document	
X : particularly relevant if taken alone Y : particularly relevant if combined with another document of the same category A : technological background O : non-written disclosure P : intermediate document			

EPO FORM 1503 03.82 (F04C01)



EUROPEAN SEARCH REPORT

Application Number  
EP 23 16 6977

5

10

15

20

25

30

35

40

45

50

55

DOCUMENTS CONSIDERED TO BE RELEVANT			
Category	Citation of document with indication, where appropriate, of relevant passages	Relevant to claim	CLASSIFICATION OF THE APPLICATION (IPC)
A	<p>US 2008/114364 A1 (GOLDIN MARK [US] ET AL) 15 May 2008 (2008-05-15)                      * paragraphs [0143], [0145] - [0149], [0172] - [0177], [0187], [0188], [0222], [0224], [0225], [0236] - [0242]; figures 15A-15C, 72, 74, 75, 84, 86 *</p> <p style="text-align: center;">-----</p>	2, 13, 14	
			TECHNICAL FIELDS SEARCHED (IPC)
The present search report has been drawn up for all claims			
Place of search <b>Munich</b>		Date of completion of the search <b>31 August 2023</b>	Examiner <b>Hagberg, Åsa</b>
CATEGORY OF CITED DOCUMENTS		T : theory or principle underlying the invention E : earlier patent document, but published on, or after the filing date D : document cited in the application L : document cited for other reasons ..... & : member of the same patent family, corresponding document	
X : particularly relevant if taken alone Y : particularly relevant if combined with another document of the same category A : technological background O : non-written disclosure P : intermediate document			

EPO FORM 1503 03.82 (F04C01)

ANNEX TO THE EUROPEAN SEARCH REPORT  
ON EUROPEAN PATENT APPLICATION NO.

EP 23 16 6977

5 This annex lists the patent family members relating to the patent documents cited in the above-mentioned European search report.  
The members are as contained in the European Patent Office EDP file on  
The European Patent Office is in no way liable for these particulars which are merely given for the purpose of information.

31-08-2023

Patent document cited in search report	Publication date	Patent family member(s)	Publication date
WO 2014089198 A1	12-06-2014	AU 2013355313 A1	11-06-2015
		BR 112015012827 A2	11-07-2017
		CN 105101892 A	25-11-2015
		EP 2928389 A1	14-10-2015
		JP 2015536736 A	24-12-2015
		KR 20150092246 A	12-08-2015
		RU 2015126000 A	12-01-2017
		WO 2014089198 A1	12-06-2014
		ZA 201503911 B	28-04-2016
US 2006195112 A1	31-08-2006	AU 2006203909 A1	13-07-2006
		CA 2593182 A1	13-07-2006
		EP 1845890 A2	24-10-2007
		US 2006195112 A1	31-08-2006
		US 2011238074 A1	29-09-2011
		WO 2006074321 A2	13-07-2006
US 5112337 A	12-05-1992	NONE	
US 2007276392 A1	29-11-2007	NONE	
US 2014276844 A1	18-09-2014	AU 2014228369 A1	03-09-2015
		BR 112015020189 A2	18-07-2017
		CN 105007840 A	28-10-2015
		EP 2967584 A1	20-01-2016
		JP 2016511071 A	14-04-2016
		KR 20150126615 A	12-11-2015
		RU 2015142876 A	18-04-2017
		US 2014276844 A1	18-09-2014
		US 2019038299 A1	07-02-2019
		WO 2014143597 A1	18-09-2014
		ZA 201505681 B	29-03-2017
US 2014194880 A1	10-07-2014	AT 481039 T	15-10-2010
		EP 1785103 A1	16-05-2007
		US 2007233128 A1	04-10-2007
		US 2014194880 A1	10-07-2014
US 2005240193 A1	27-10-2005	AU 2004270128 A1	17-03-2005
		CA 2537048 A1	17-03-2005
		CN 1845709 A	11-10-2006
		EP 1663029 A2	07-06-2006
		JP 4555293 B2	29-09-2010
		JP 2007503911 A	01-03-2007
		KR 20060133952 A	27-12-2006
		MX PA06002541 A	20-06-2006

EPC FORM P0459

For more details about this annex : see Official Journal of the European Patent Office, No. 12/82

55

ANNEX TO THE EUROPEAN SEARCH REPORT  
ON EUROPEAN PATENT APPLICATION NO.

EP 23 16 6977

5 This annex lists the patent family members relating to the patent documents cited in the above-mentioned European search report.  
The members are as contained in the European Patent Office EDP file on  
The European Patent Office is in no way liable for these particulars which are merely given for the purpose of information.

31-08-2023

10

Patent document cited in search report	Publication date	Patent family member(s)	Publication date
		US 2005113838 A1	26-05-2005
		US 2005240193 A1	27-10-2005
		WO 2005023085 A2	17-03-2005
-----			
US 6210415	B1	03-04-2001	NONE
-----			
US 2008114364	A1	15-05-2008	US 2008114364 A1
			US 2014046330 A1
-----			

15

20

25

30

35

40

45

50

EPC FORM P0459

55

For more details about this annex : see Official Journal of the European Patent Office, No. 12/82