



US0D1018227S

(12) **United States Design Patent**
Dai

(10) **Patent No.:** **US D1,018,227 S**

(45) **Date of Patent:** **** Mar. 19, 2024**

(54) **STRING TRIMMER HANDLE**
(71) Applicant: **Junpeng Dai**, Shenzhen (CN)
(72) Inventor: **Junpeng Dai**, Shenzhen (CN)
(**) Term: **15 Years**

D394,991 S * 6/1998 Meisner D8/8
D417,382 S * 12/1999 Saladino, Jr. D8/107
D421,379 S * 3/2000 Sanford D8/107
D424,901 S * 5/2000 Landry D8/59
6,485,076 B1 * 11/2002 Chang B25G 1/00
294/58

(Continued)

(21) Appl. No.: **29/913,287**
(22) Filed: **Sep. 28, 2023**

FOREIGN PATENT DOCUMENTS

CN 304833000 * 9/2018
CN 307578796 * 10/2022

(Continued)

(30) **Foreign Application Priority Data**

Apr. 25, 2023 (CN) 202330235932.4

(51) **LOC (14) CL.** **08-03**

(52) **U.S. Cl.**
USPC **D8/8; D8/107**

(58) **Field of Classification Search**
USPC D8/8, 10, 107
CPC A01D 34/824; A01D 34/902; A01D 34/90;
A01B 1/026; A01G 3/062; B25F 5/026;
B25G 1/102; B25G 1/06
See application file for complete search history.

OTHER PUBLICATIONS

Fredene brand String Trimmer Handle, First Date Available: Jun. 12, 2023, Image retrieved via youtube video on: Oct. 11, 2023, <
<https://www.youtube.com/watch?v=0j7wkJOha3Y> >.*

Primary Examiner — Sheryl Lane
Assistant Examiner — Ieisha N Price
(74) *Attorney, Agent, or Firm* — Vladimir Postnikov

(56) **References Cited**

U.S. PATENT DOCUMENTS

2,244,585 A * 6/1941 Tweit A01B 1/00
294/58
2,772,910 A * 12/1956 Doyle A01B 1/026
248/62
4,282,652 A * 8/1981 Ballas, Sr. A01D 34/902
30/276
D260,961 S * 9/1981 Leehaug 81/177.2
5,054,830 A * 10/1991 Nisenbaum E01C 19/187
294/58
5,279,102 A * 1/1994 Foster A01D 34/63
56/DIG. 18
D378,983 S * 4/1997 Nall D8/51
D380,368 S * 7/1997 Kort D8/107
5,661,960 A * 9/1997 Smith A01D 34/902
56/DIG. 18

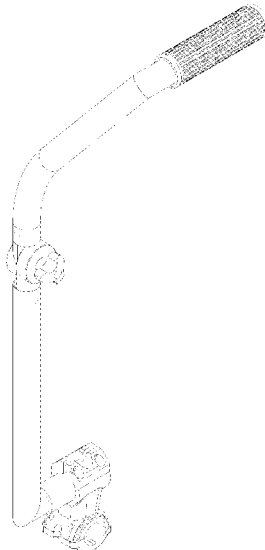
(57) **CLAIM**

The ornamental design for a string trimmer handle, as shown and described.

DESCRIPTION

FIG. 1 is a front elevation view of a string trimmer handle showing the new design;
FIG. 2 is a back elevation view thereof;
FIG. 3 is a left-side view thereof;
FIG. 4 is a right-side view thereof;
FIG. 5 is a top plan view thereof;
FIG. 6 is a bottom plan view thereof;
FIG. 7 is a perspective view thereof; and,
FIG. 8 is another perspective view thereof.
The broken lines in the drawings depict portions of the string trimmer handle that form no part of the claimed design.

1 Claim, 8 Drawing Sheets



(56)

References Cited

U.S. PATENT DOCUMENTS

D475,586 S * 6/2003 Digue D8/8
 6,581,246 B1 * 6/2003 Polette A01D 34/90
 16/444
 D484,023 S * 12/2003 Stout D8/107
 6,701,623 B2 * 3/2004 Sanders A01G 3/062
 30/296.1
 6,865,779 B2 * 3/2005 Gillanders B25H 1/0021
 294/58
 D563,740 S * 3/2008 Andriolo D8/8
 D731,267 S 6/2015 Shen
 10,321,627 B1 * 6/2019 Lapp G05G 1/04
 D863,020 S * 10/2019 Frascello D8/107
 D896,045 S * 9/2020 Hua D8/107
 D938,255 S * 12/2021 Kramer D8/321
 D948,974 S * 4/2022 Chouikh D8/10
 11,717,952 B1 * 8/2023 Pladson B25G 3/20
 16/426
 2002/0116825 A1 * 8/2002 Jarzombek A01D 34/902
 30/297

2003/0126749 A1 * 7/2003 Sanders A01G 3/062
 30/296.1
 2007/0067947 A1 * 3/2007 Hittmann B25F 5/026
 15/410
 2010/0012338 A1 * 1/2010 Okabe A01D 34/824
 30/277.4
 2012/0085205 A1 * 4/2012 Quick A01D 34/824
 81/489
 2019/0327888 A1 * 10/2019 Rethaber A01D 34/4165
 2019/0344423 A1 * 11/2019 Doherty B25G 1/102
 2019/0357436 A1 * 11/2019 Hamilton A01D 34/824
 2020/0296891 A1 * 9/2020 Bohrer B25F 5/026
 2023/0172100 A1 * 6/2023 Toomer A01D 34/015
 56/1
 2023/0225245 A1 * 7/2023 Aldridge A01D 69/03
 56/11.9

FOREIGN PATENT DOCUMENTS

GB 9004535417-0001 * 12/2017
 IN 301625-0001 * 7/2019

* cited by examiner

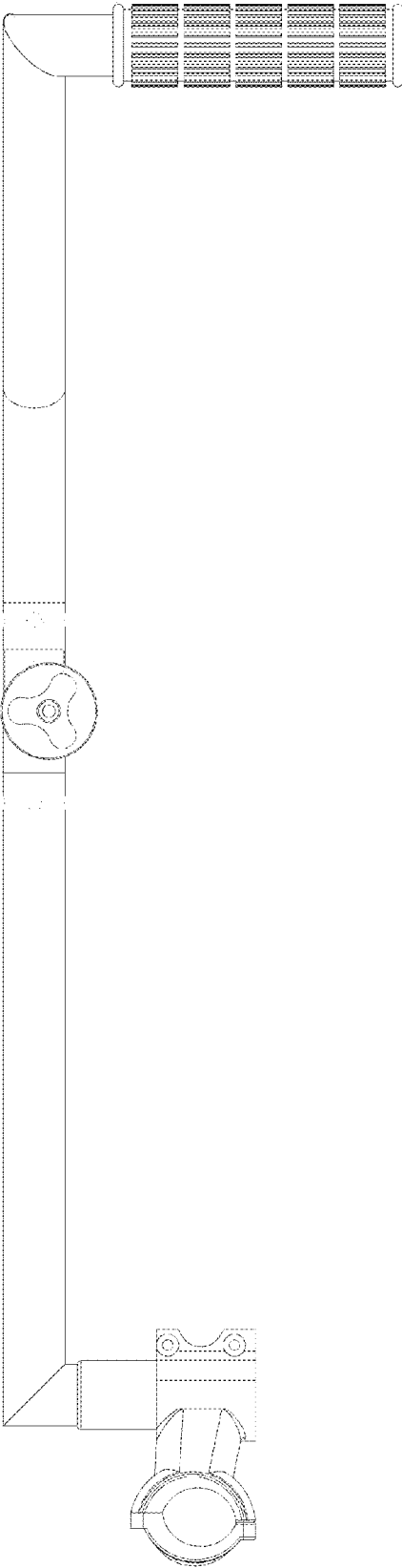


FIG. 1

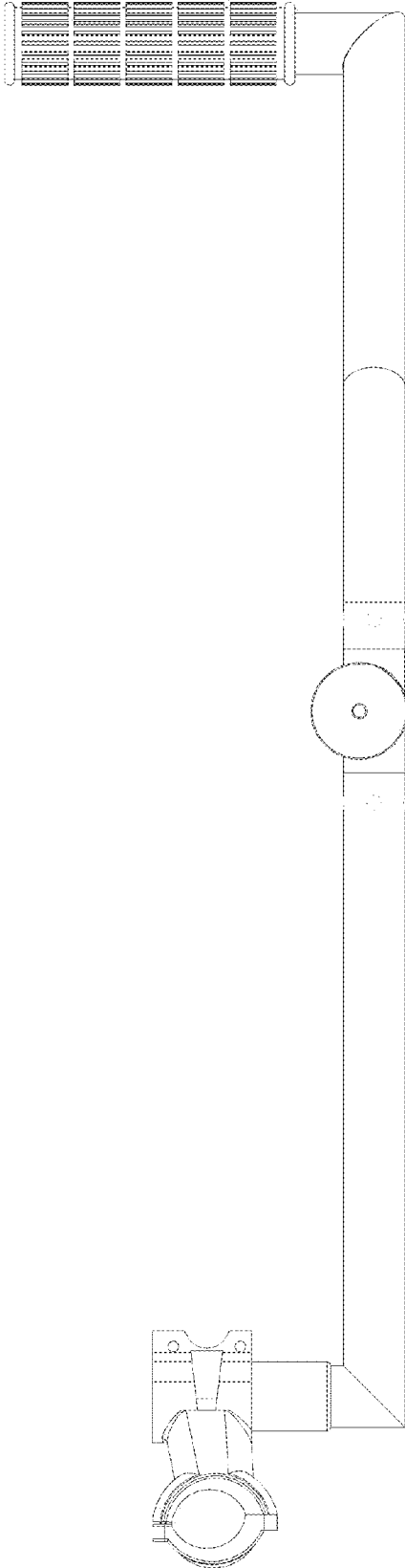


FIG. 2

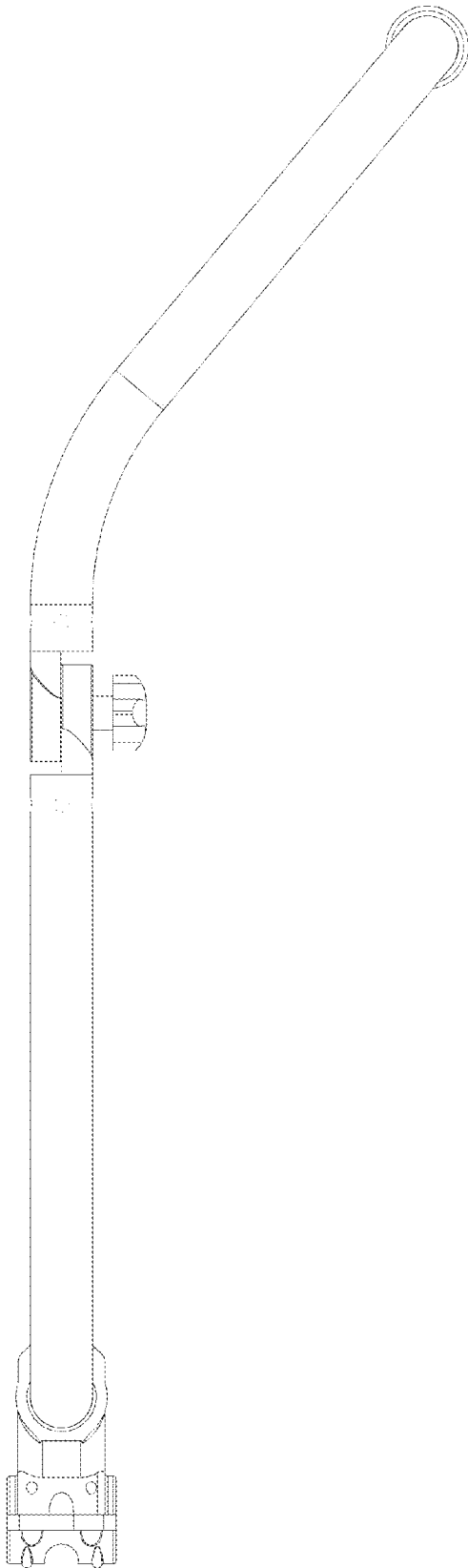


FIG. 3

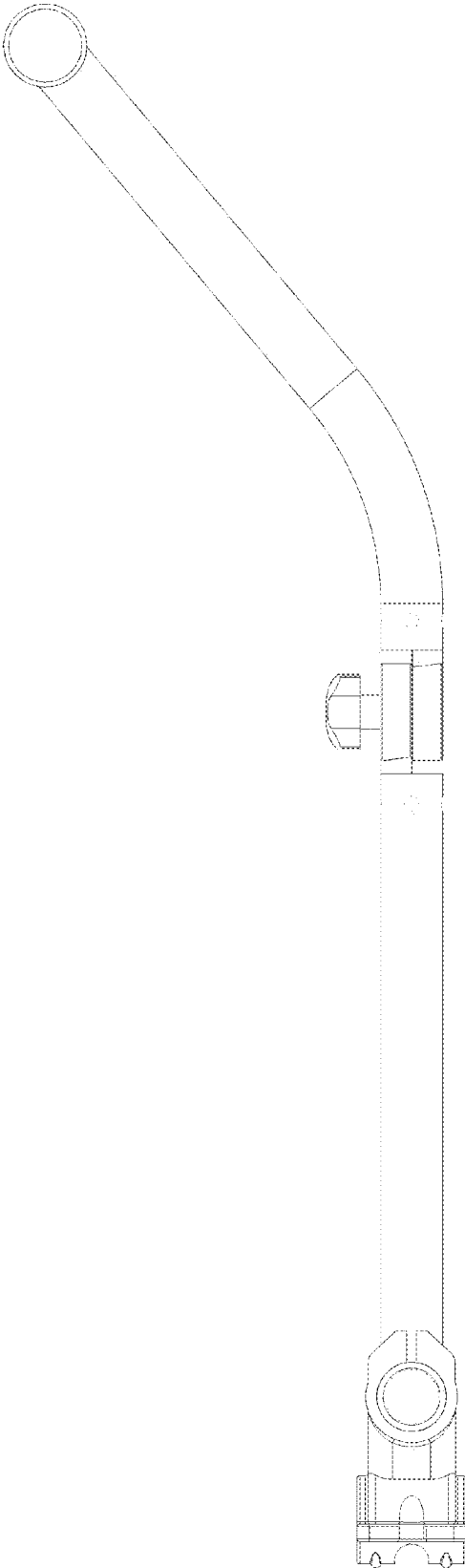


FIG. 4

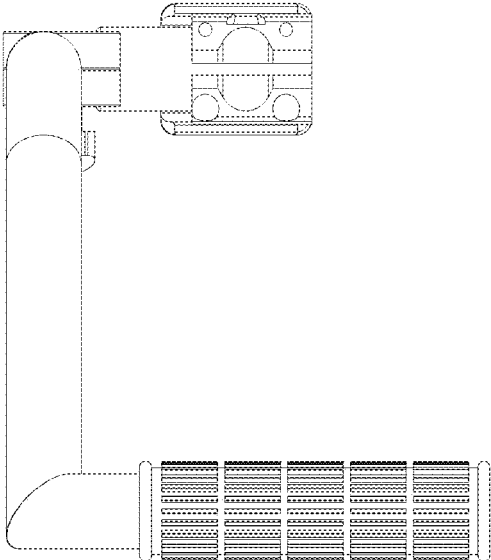


FIG. 5

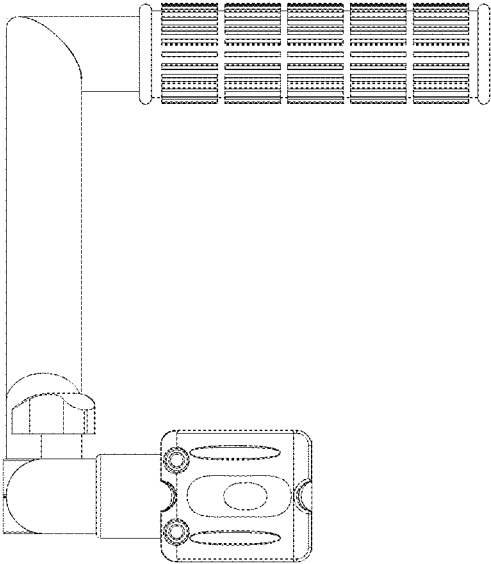


FIG. 6

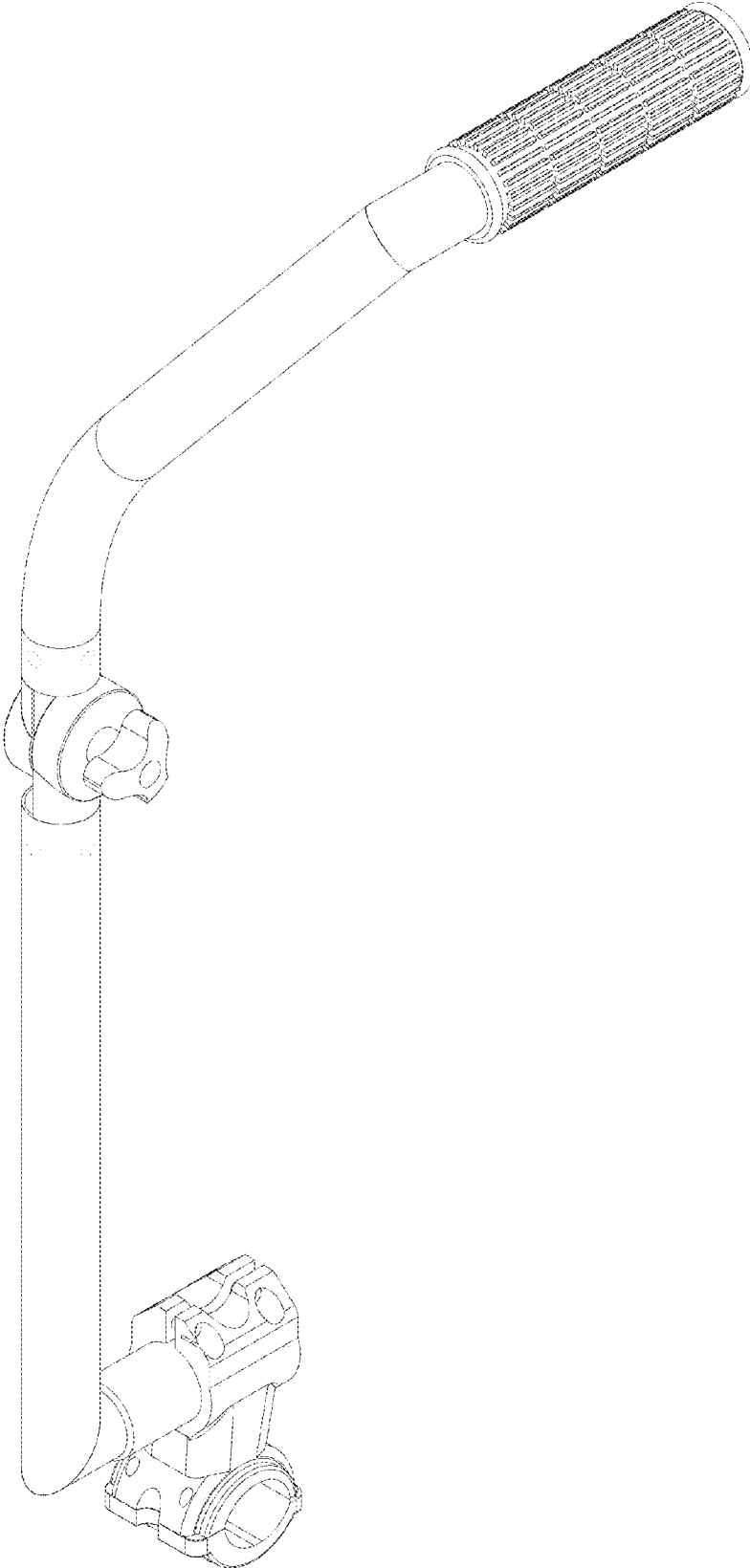


FIG. 7

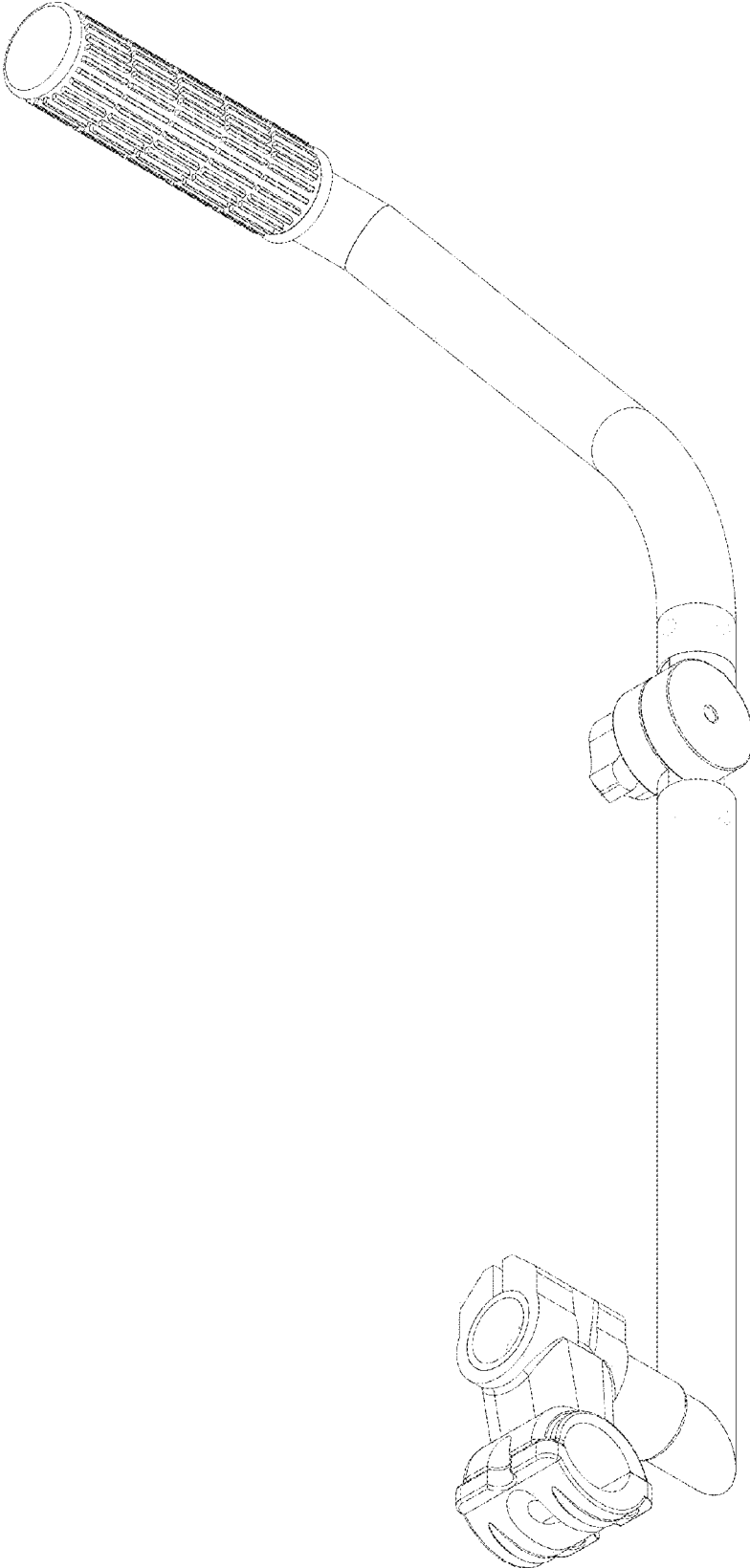


FIG. 8