



(11) **EP 4 324 655 A3**

(12) **EUROPEAN PATENT APPLICATION**

(88) Date of publication A3:
20.03.2024 Bulletin 2024/12

(43) Date of publication A2:
21.02.2024 Bulletin 2024/08

(21) Application number: **23218308.7**

(22) Date of filing: **28.03.2019**

(51) International Patent Classification (IPC):
B41J 3/407 ^(2006.01) **B41J 33/00** ^(2006.01)
B41J 33/14 ^(2006.01) **B41J 35/04** ^(2006.01)
B41J 32/00 ^(2006.01)

(52) Cooperative Patent Classification (CPC):
B41J 3/4075; B41J 2/325; B41J 17/32;
B41J 33/003; B41J 33/14; B41J 35/04; B41J 32/00

(84) Designated Contracting States:
AL AT BE BG CH CY CZ DE DK EE ES FI FR GB
GR HR HU IE IS IT LI LT LU LV MC MK MT NL NO
PL PT RO RS SE SI SK SM TR

(30) Priority: **29.03.2018 JP 2018063682**
26.12.2018 JP 2018243214

(62) Document number(s) of the earlier application(s) in accordance with Art. 76 EPC:
19777040.7 / 3 778 245

(71) Applicant: **Seiko Epson Corporation**
Tokyo 160-8801 (JP)

(72) Inventors:
• **SASAKI, Taishi**
392-8502 Suwa-shi (JP)
• **ISHIMOTO, Akio**
392-8502 Suwa-shi (JP)

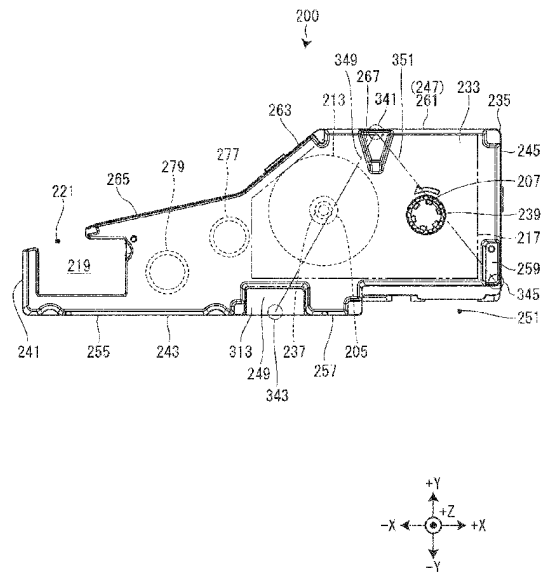
(74) Representative: **Lewis Silkin LLP**
Arbor
255 Blackfriars Road
London SE1 9AX (GB)

(54) **RIBBON CARTRIDGE AND PRINTING DEVICE**

(57) Provided is a ribbon cartridge capable of preventing a ribbon cartridge made by another company from being installed by mistake.

A ribbon cartridge includes: a paying-out core; a winding core that winds an ink ribbon fed from the paying-out core; and a cartridge case having a ribbon core accommodation part in which the paying-out core and the winding core are rotatably accommodated. In the cartridge case, a first peripheral wall recessed part, a second peripheral wall recessed part, and a third peripheral wall recessed part are provided at a peripheral edge part of the ribbon core accommodation part when seen from a front side of the ribbon cartridge in an installation direction, the first peripheral wall recessed part, the second peripheral wall recessed part, and the third peripheral wall recessed part being provided at a position corresponding to a first pressing protrusion, a position corresponding to a second pressing protrusion, and a position corresponding to a third pressing protrusion, respectively, when the ribbon cartridge is installed in a cartridge installation part and an installation-part cover is closed.

FIG. 6



EP 4 324 655 A3



EUROPEAN SEARCH REPORT

Application Number
EP 23 21 8308

5

10

15

20

25

30

35

40

45

50

55

DOCUMENTS CONSIDERED TO BE RELEVANT			
Category	Citation of document with indication, where appropriate, of relevant passages	Relevant to claim	CLASSIFICATION OF THE APPLICATION (IPC)
A	<p>US 6 485 206 B1 (TAKAHASHI TOSHIHIRO [JP]) 26 November 2002 (2002-11-26) * column 4, line 24 - column 5, line 53 * * column 8, lines 9-50; figures 1-5, 15-19 *</p> <p style="text-align: center;">-----</p>	1-6	<p>INV. B41J3/407 B41J33/00 B41J33/14 B41J35/04</p> <p>ADD. B41J32/00</p>
			<p>TECHNICAL FIELDS SEARCHED (IPC)</p> <p>B41J</p>
<p>The present search report has been drawn up for all claims</p>			
<p>Place of search</p> <p>The Hague</p>		<p>Date of completion of the search</p> <p>1 February 2024</p>	<p>Examiner</p> <p>Bacon, Alan</p>
<p>CATEGORY OF CITED DOCUMENTS</p> <p>X : particularly relevant if taken alone Y : particularly relevant if combined with another document of the same category A : technological background O : non-written disclosure P : intermediate document</p> <p>T : theory or principle underlying the invention E : earlier patent document, but published on, or after the filing date D : document cited in the application L : document cited for other reasons & : member of the same patent family, corresponding document</p>			

1
EPO FORM 1503 03:82 (P04C01)

**ANNEX TO THE EUROPEAN SEARCH REPORT
ON EUROPEAN PATENT APPLICATION NO.**

EP 23 21 8308

5 This annex lists the patent family members relating to the patent documents cited in the above-mentioned European search report.
The members are as contained in the European Patent Office EDP file on
The European Patent Office is in no way liable for these particulars which are merely given for the purpose of information.

01-02-2024

Patent document cited in search report	Publication date	Patent family member(s)	Publication date
US 6485206	B1	26-11-2002	
		DE 60006622 T2	23-09-2004
		EP 1084852 A1	21-03-2001
		JP 4671062 B2	13-04-2011
		JP 4671063 B2	13-04-2011
		JP 2008254449 A	23-10-2008
		JP 2008279771 A	20-11-2008
		JP 2008307900 A	25-12-2008
		JP 2009001020 A	08-01-2009
		US 6485206 B1	26-11-2002

EPO FORM P0459

For more details about this annex : see Official Journal of the European Patent Office, No. 12/82