



US011824542B1

(12) **United States Patent**
Henson et al.

(10) **Patent No.:** **US 11,824,542 B1**
(45) **Date of Patent:** **Nov. 21, 2023**

(54) **BIPOLAR HIGH VOLTAGE PULSER**

(58) **Field of Classification Search**

(71) Applicant: **Eagle Harbor Technologies, Inc.**,
Seattle, WA (US)

None
See application file for complete search history.

(72) Inventors: **Alex Henson**, Seattle, WA (US); **Kevin Muggli**, Mountlake Terrace, WA (US); **Timothy Ziemba**, Bainbridge Island, WA (US); **Kenneth Miller**, Seattle, WA (US)

(56) **References Cited**

U.S. PATENT DOCUMENTS

10,381,949 B2 * 8/2019 Hamerski H02M 7/23
10,804,886 B2 * 10/2020 Miller H03K 17/56
11,004,660 B2 * 5/2021 Prager H01J 37/32183

(73) Assignee: **Eagle Harbor Technologies, Inc.**,
Seattle, WA (US)

* cited by examiner

(*) Notice: Subject to any disclaimer, the term of this patent is extended or adjusted under 35 U.S.C. 154(b) by 0 days.

Primary Examiner — Jeffery S Zweig

(21) Appl. No.: **17/853,891**

(57) **ABSTRACT**

A bipolar high voltage bipolar pulsing power supply is disclosed that can produce high voltage bipolar pulses with a positive high voltage pulse greater than about 2 kV followed by a negative high voltage pulse less than about -2 kV with a positive to negative dwell period between the positive high voltage pulse and the negative high voltage pulse. A high voltage bipolar pulsing power supply, for example, can reproduce high voltage pulses with a pulse repetition rate greater than about 10 kHz.

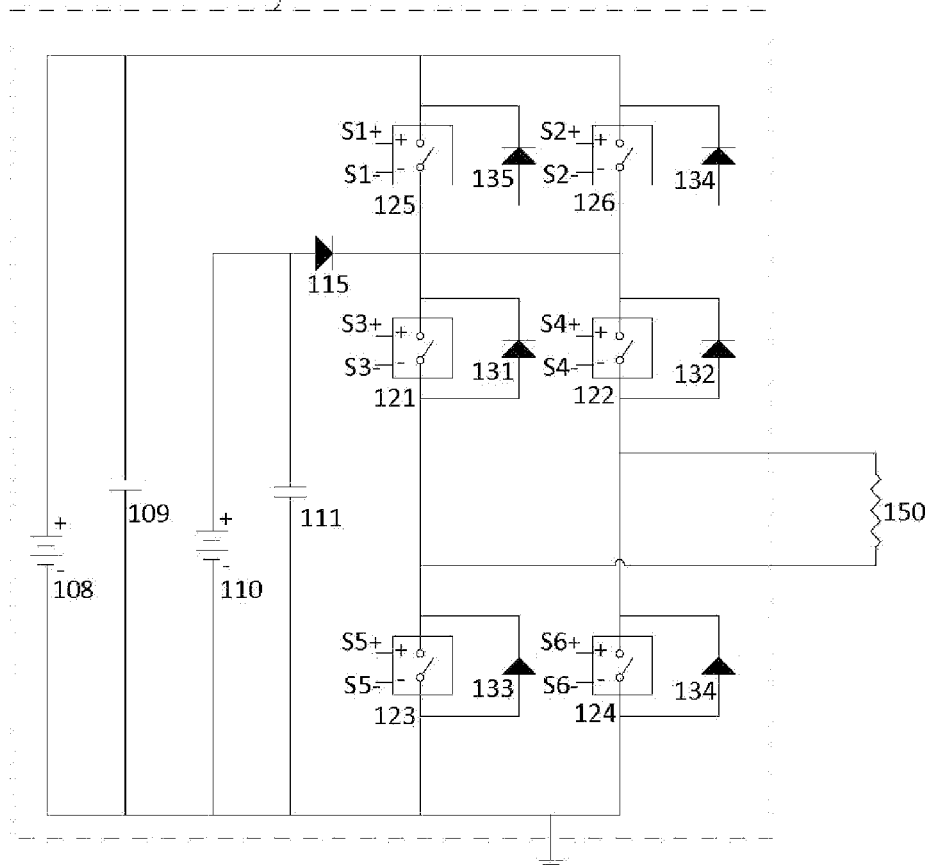
(22) Filed: **Jun. 29, 2022**

(51) **Int. Cl.**
H03K 3/57 (2006.01)
H02M 3/07 (2006.01)

(52) **U.S. Cl.**
CPC **H03K 3/57** (2013.01); **H02M 3/07** (2013.01)

22 Claims, 13 Drawing Sheets

605



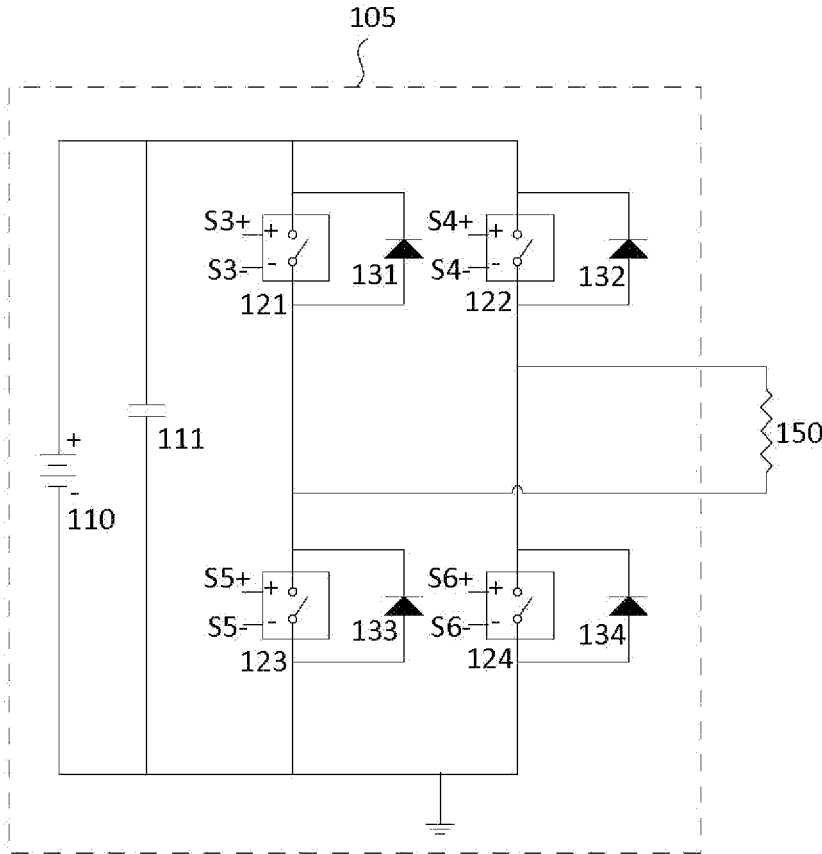


FIG. 1

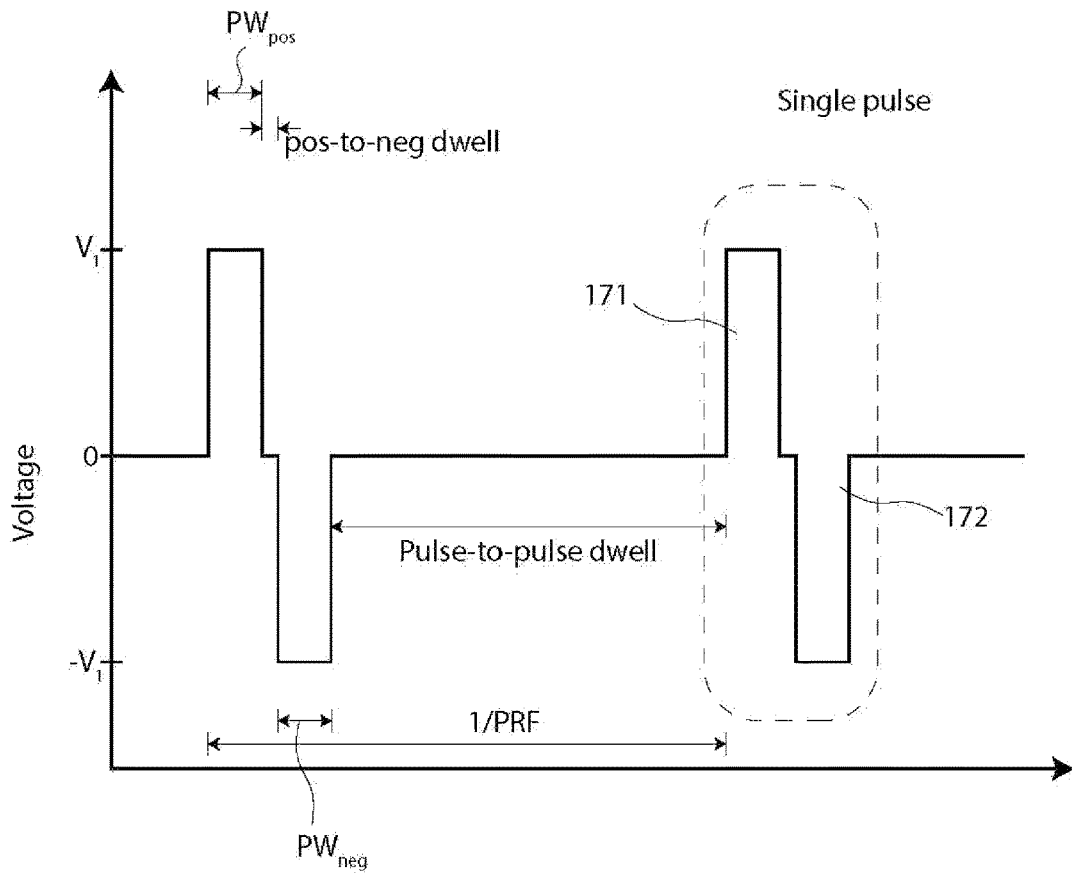


FIG. 2A

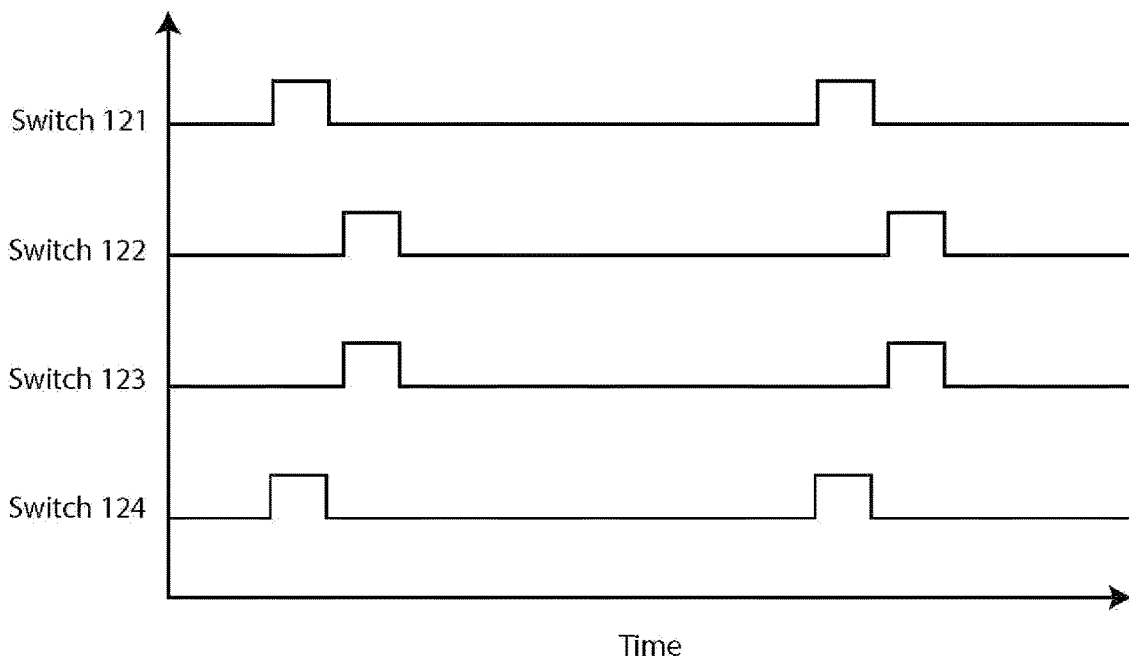


FIG. 2B

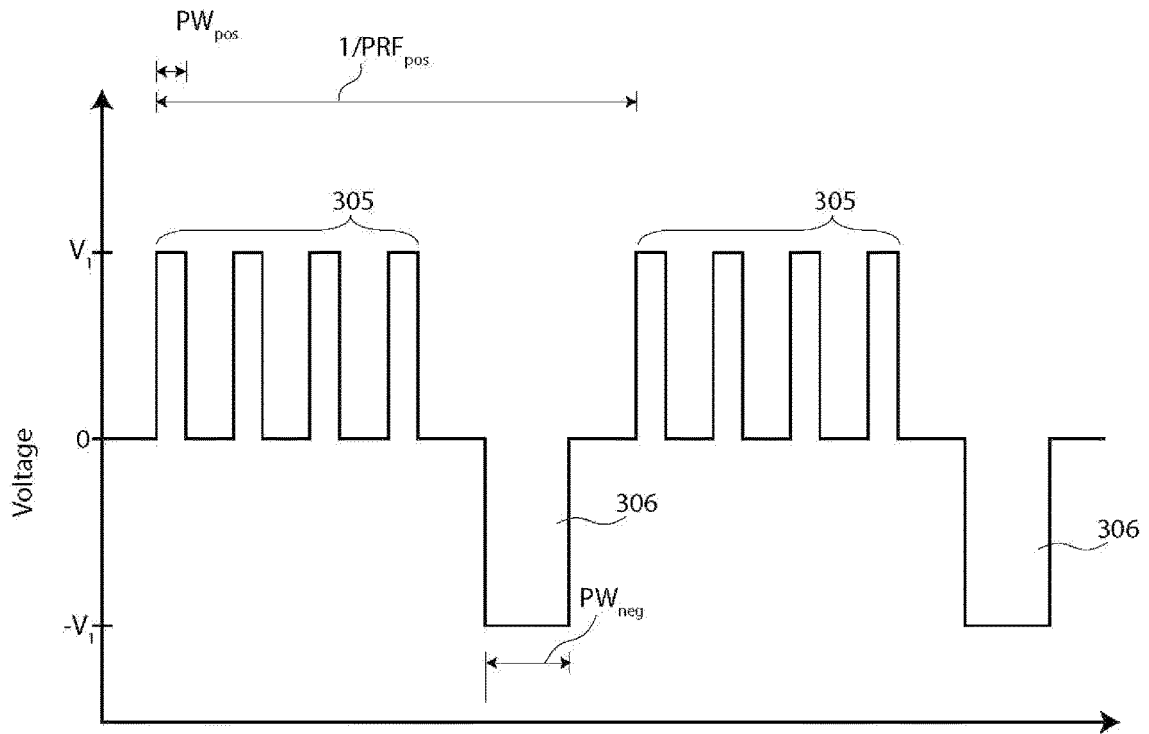


FIG. 3A

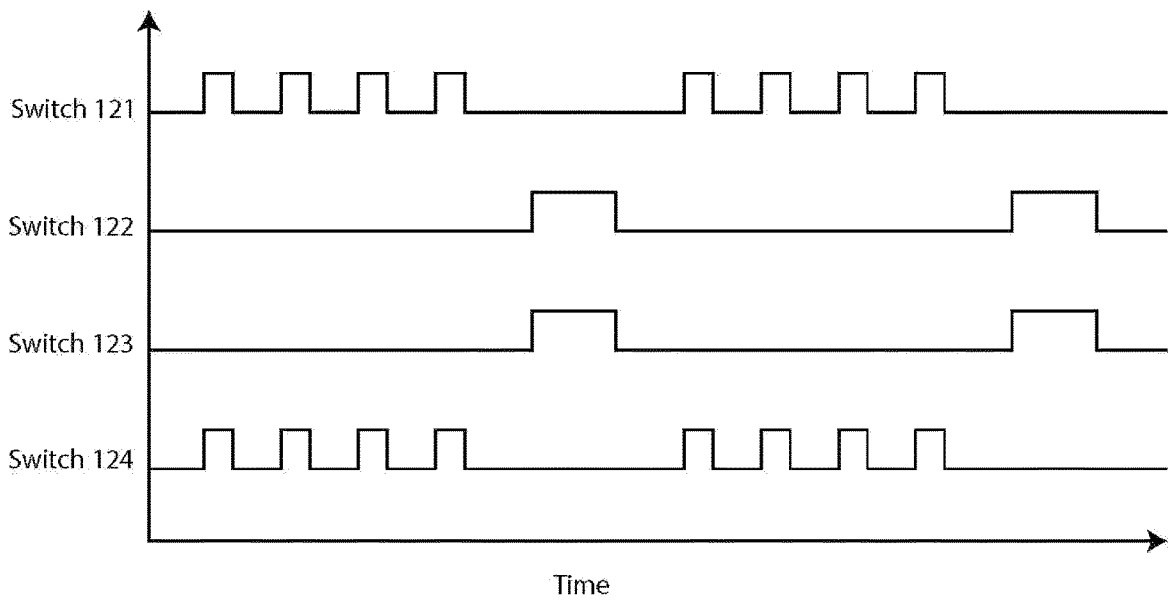


FIG. 3B

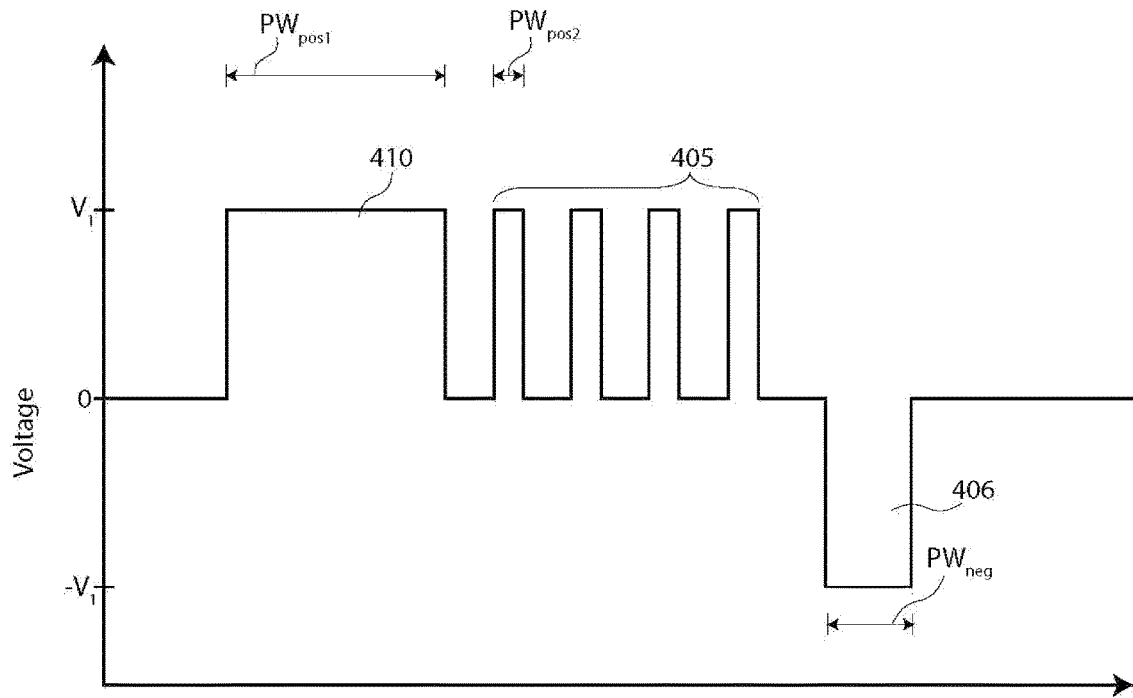


FIG. 4A

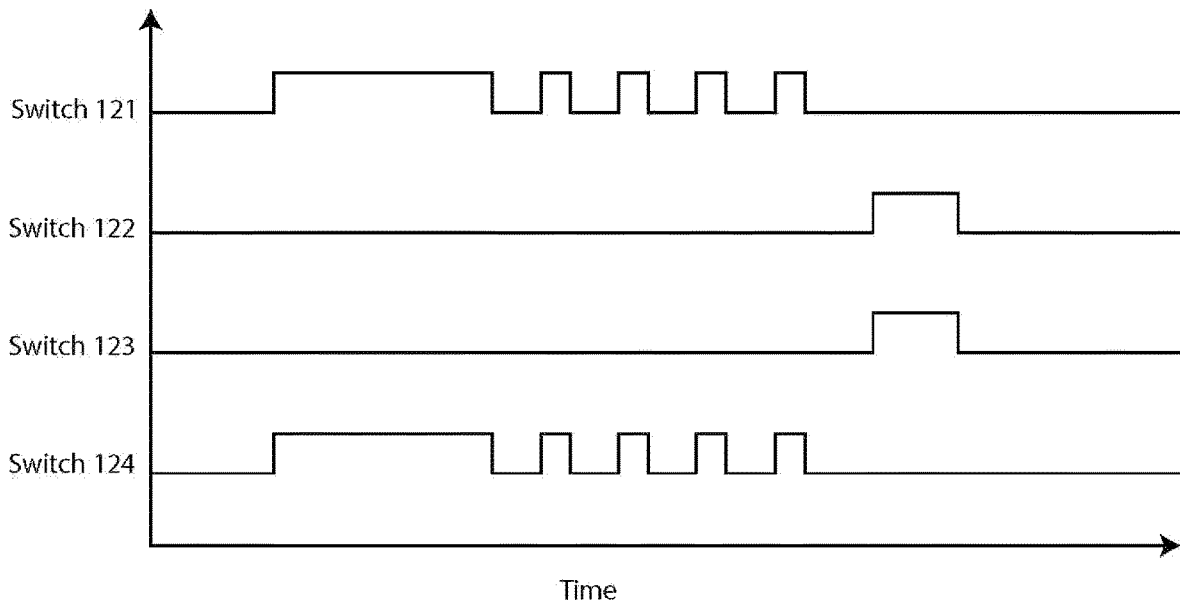


FIG. 4B

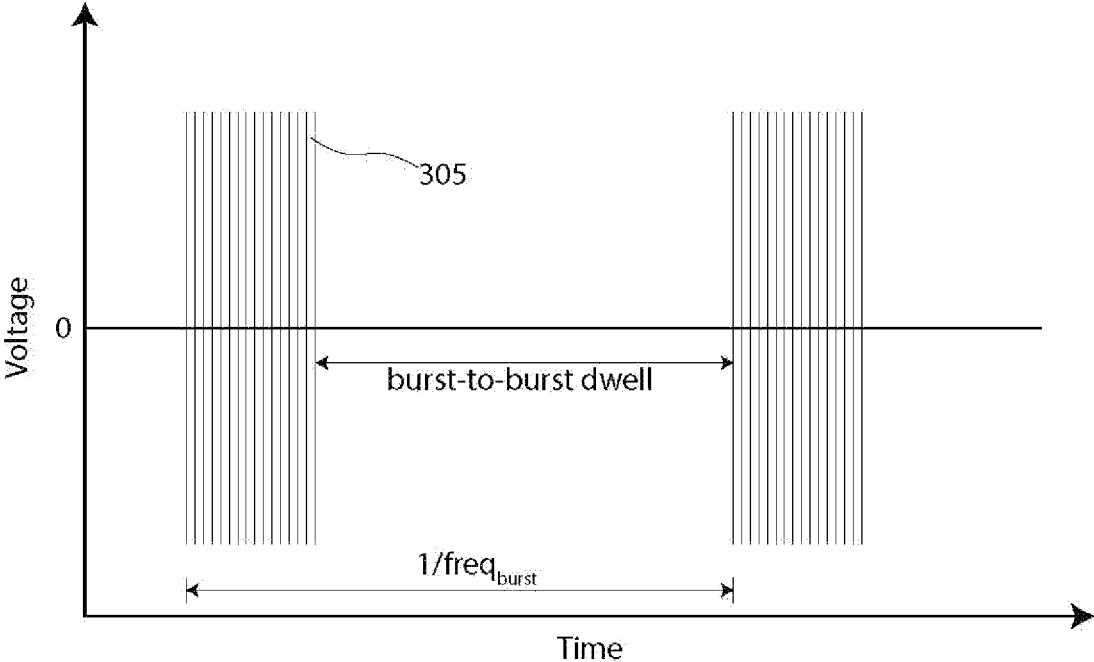


FIG. 5

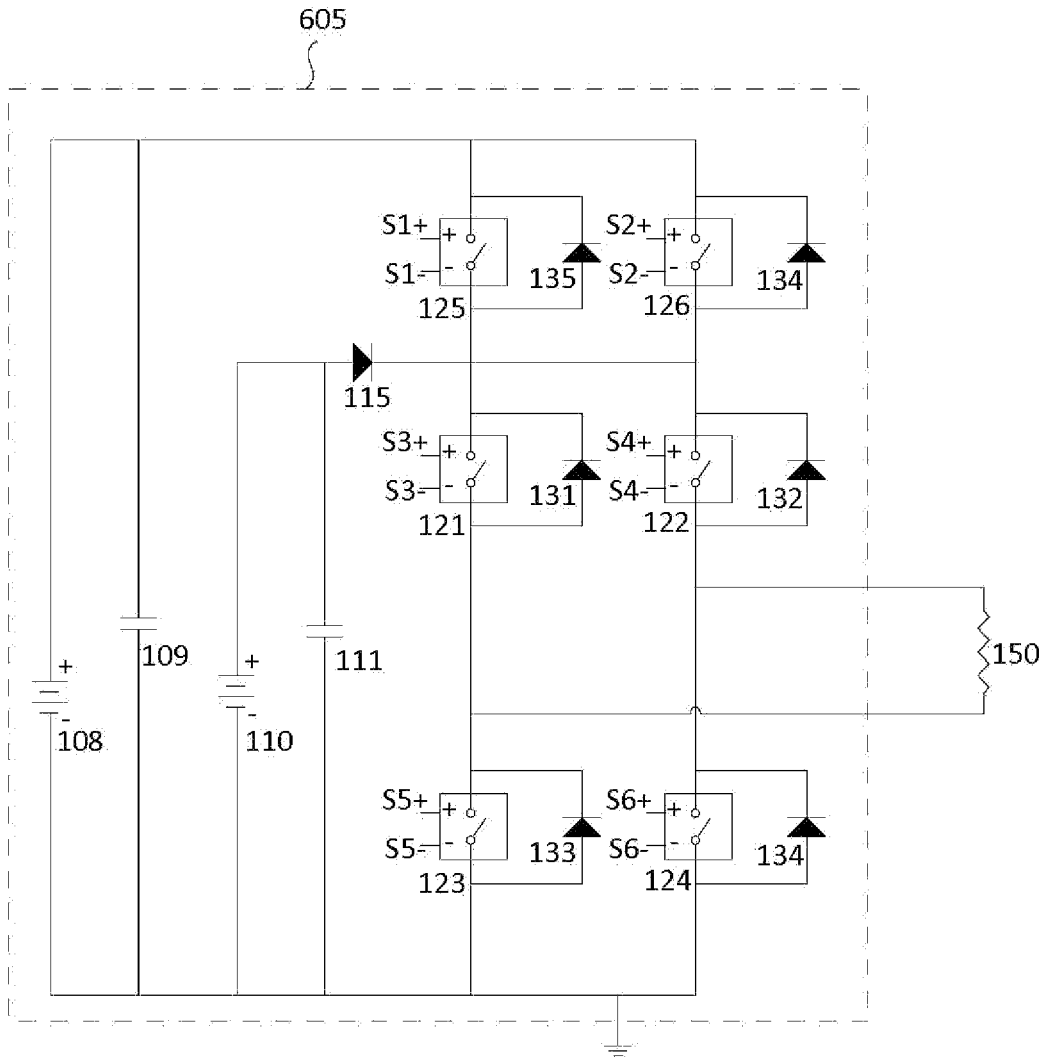


FIG. 6

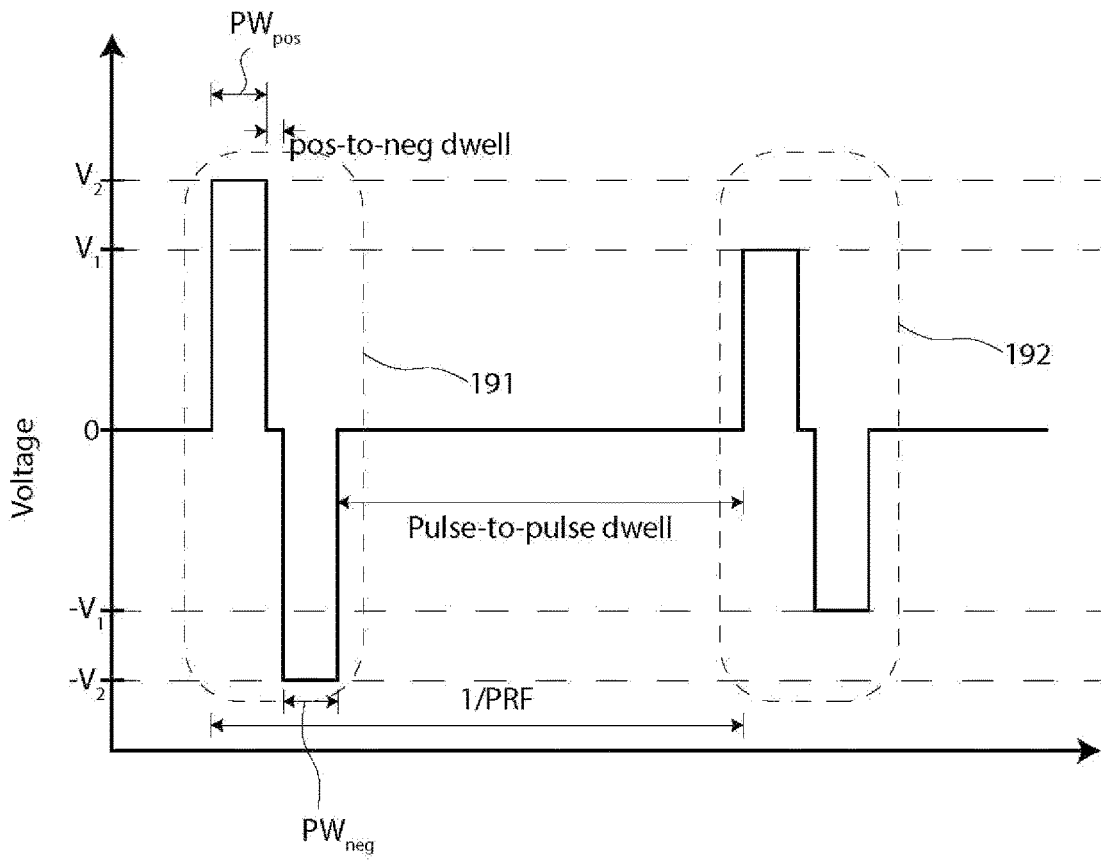


FIG. 7A

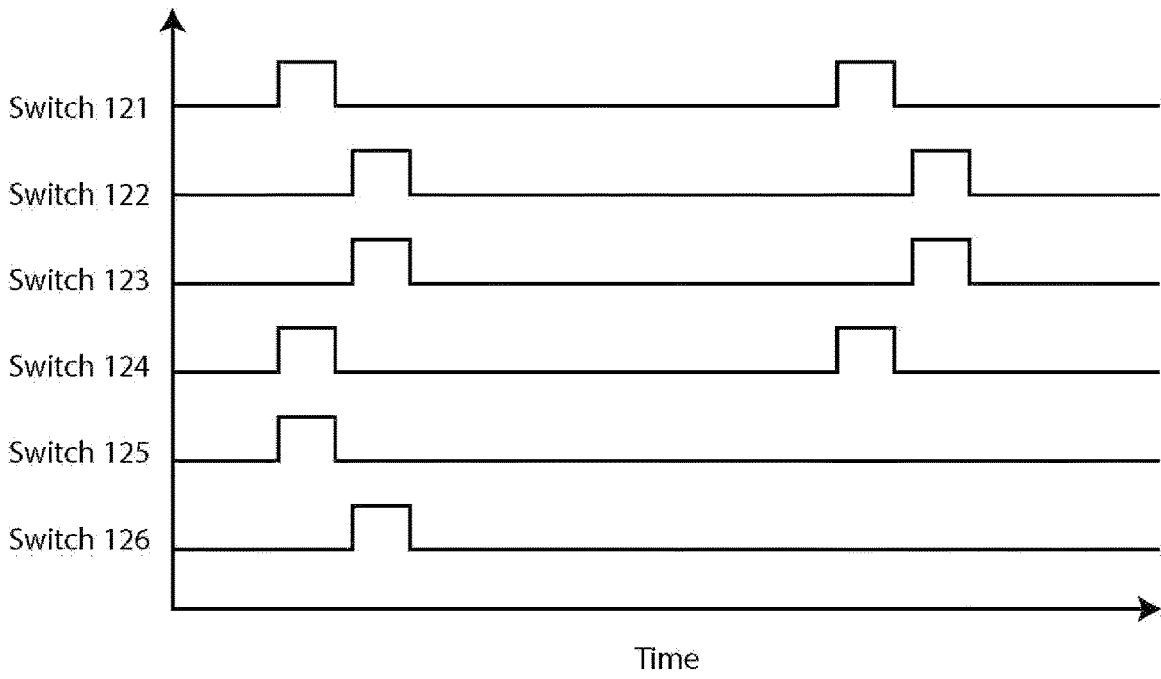


FIG. 7B

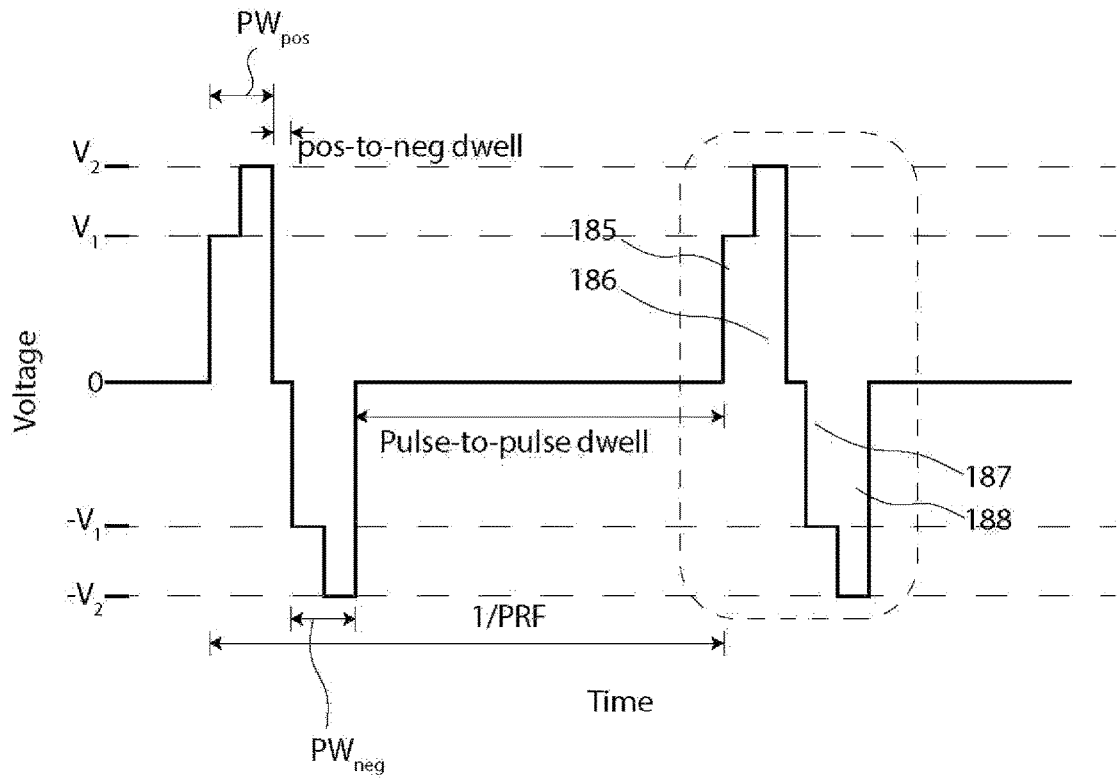


FIG. 8A

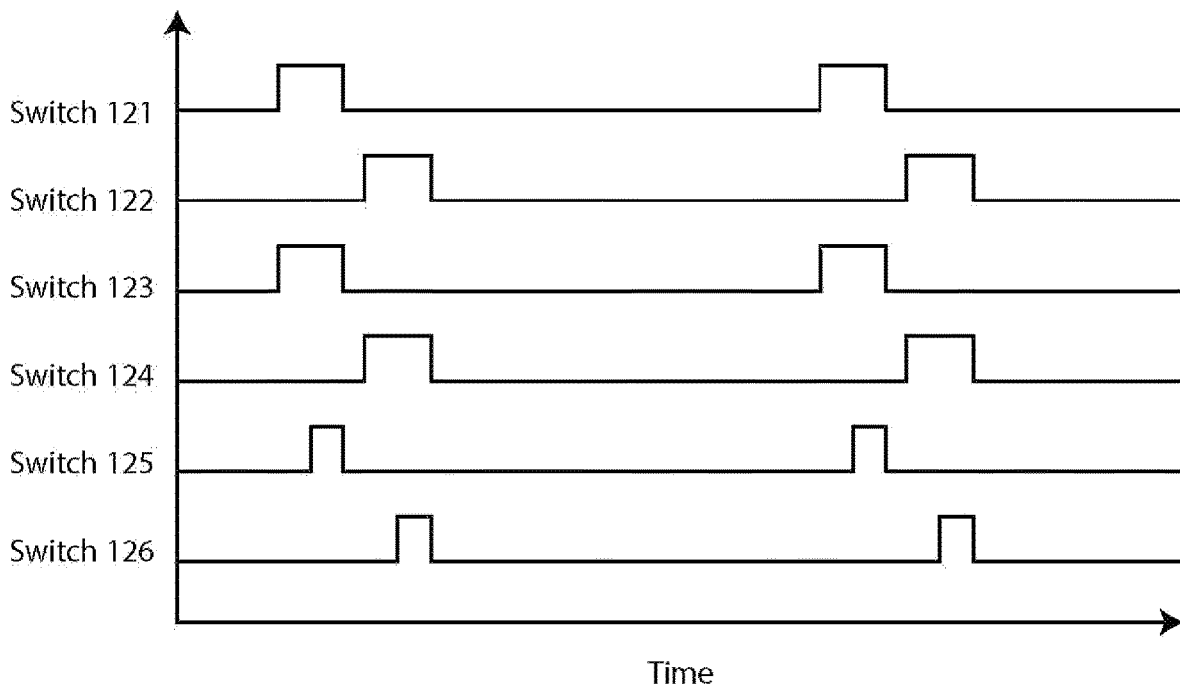


FIG. 8B

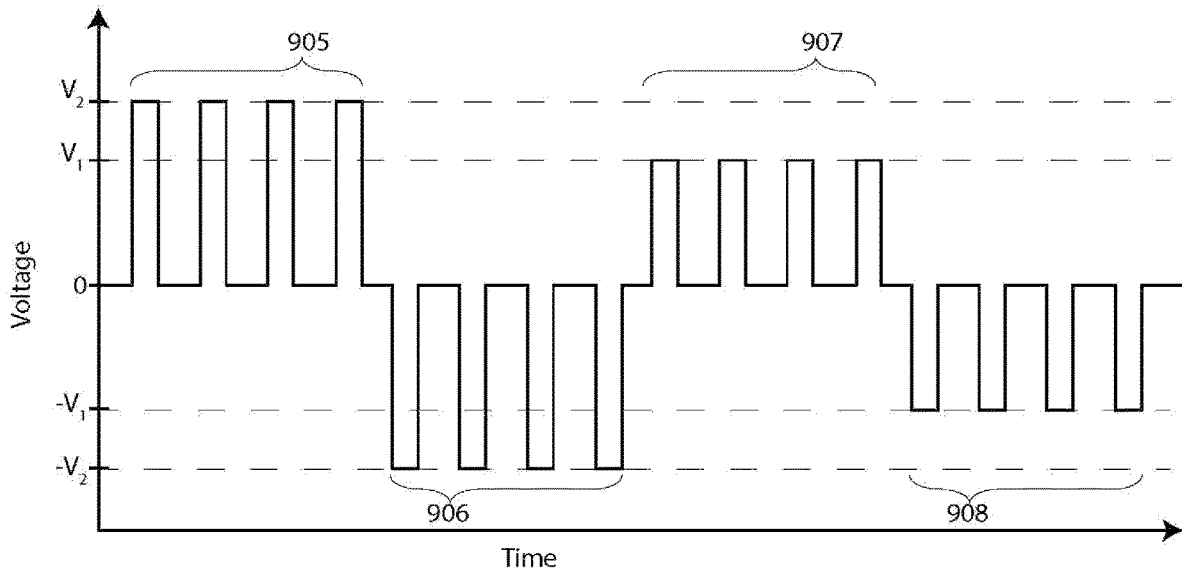


FIG. 9A

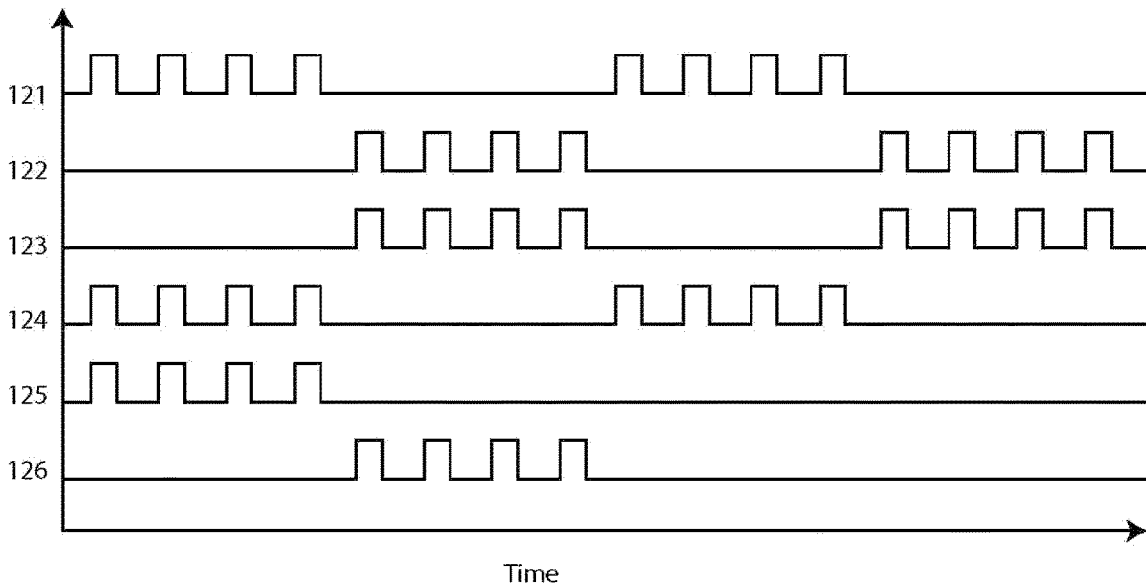


FIG. 9B

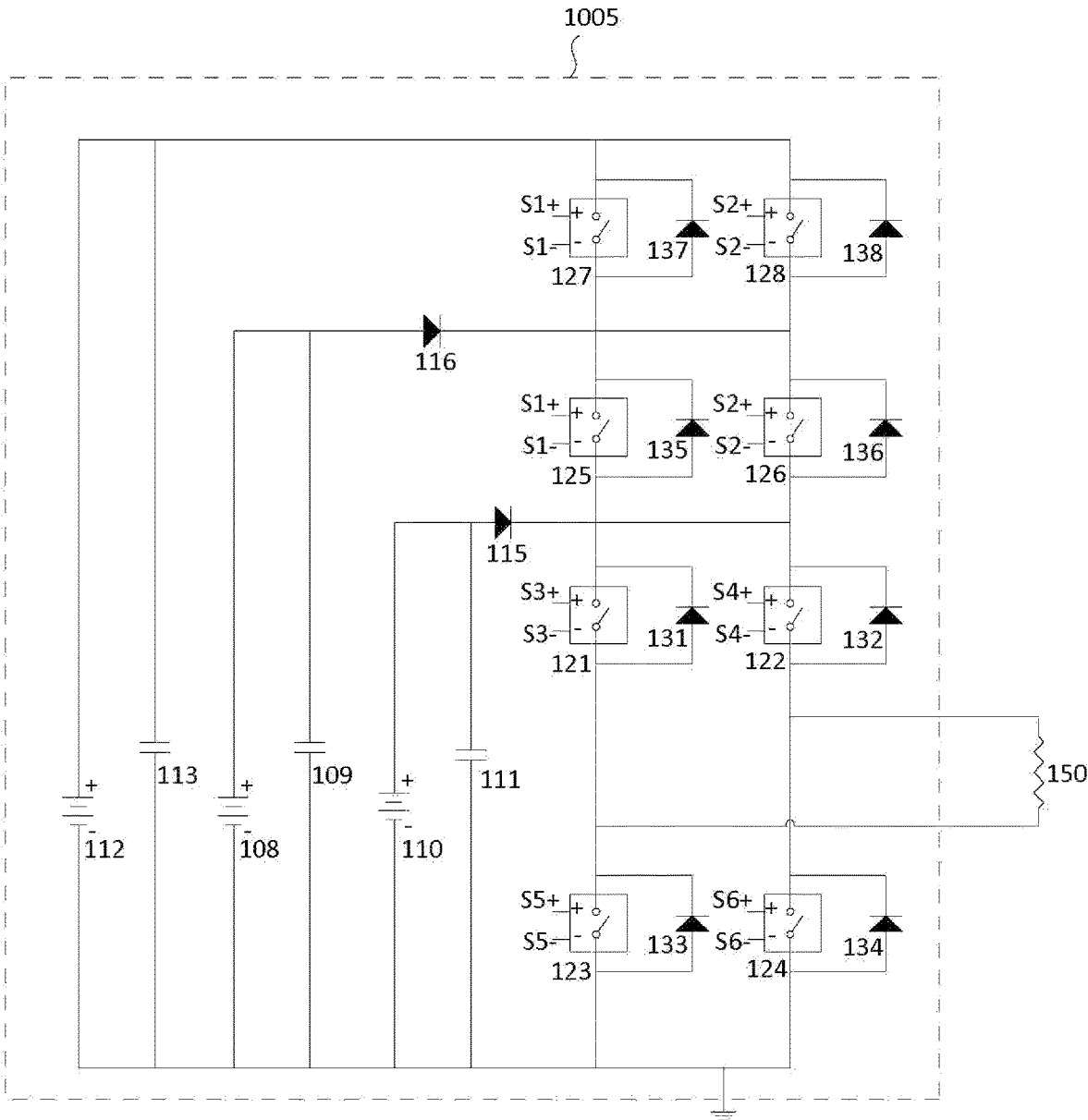


FIG. 10

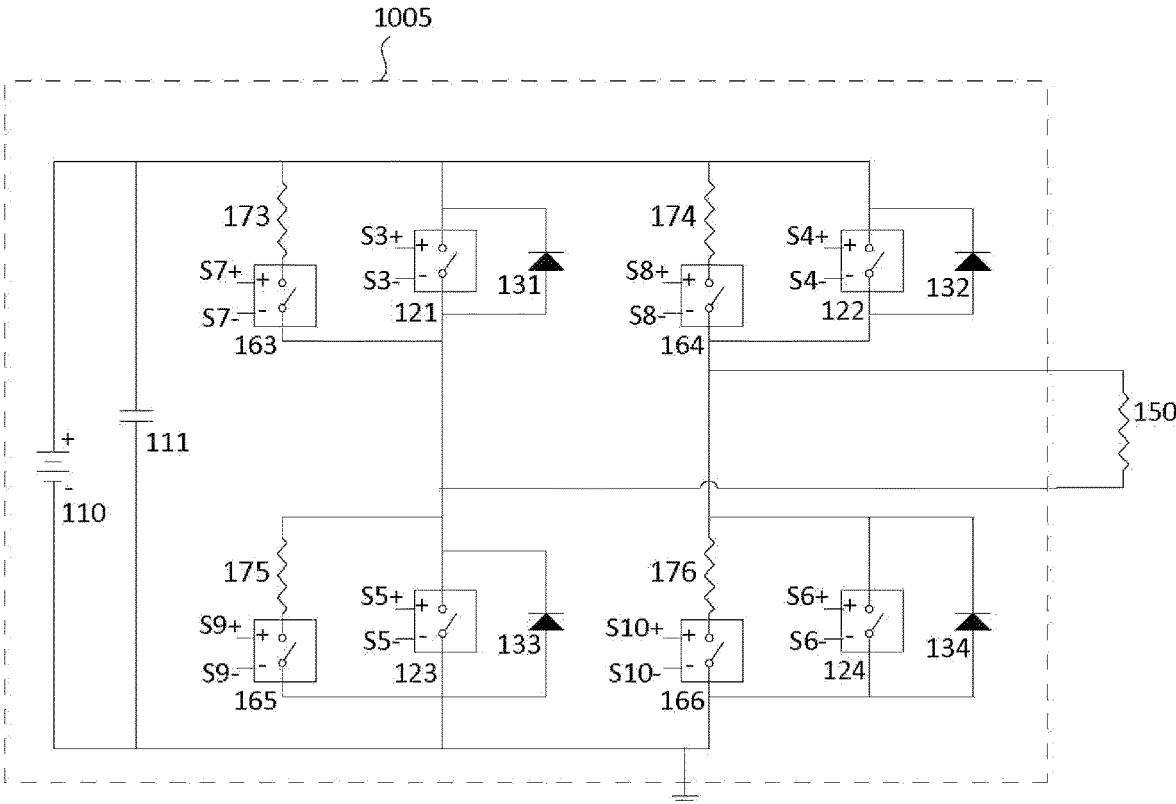


FIG. 11

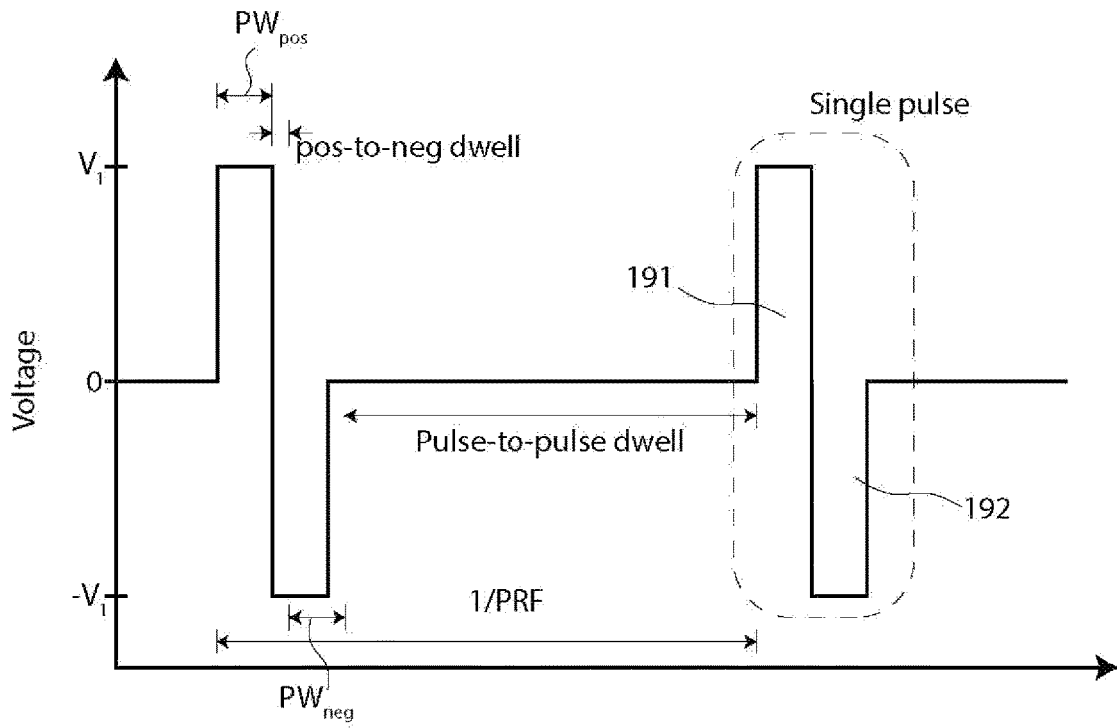


FIG. 12A

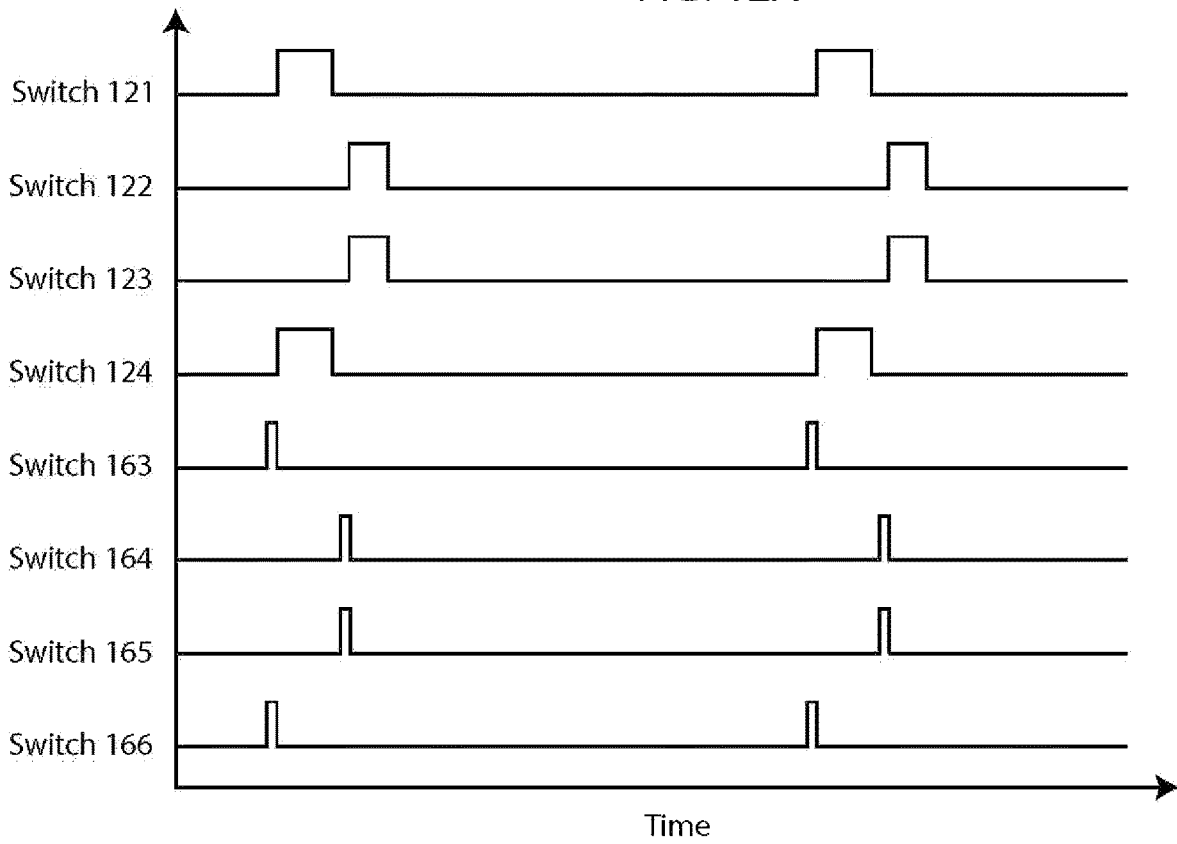


FIG. 12B

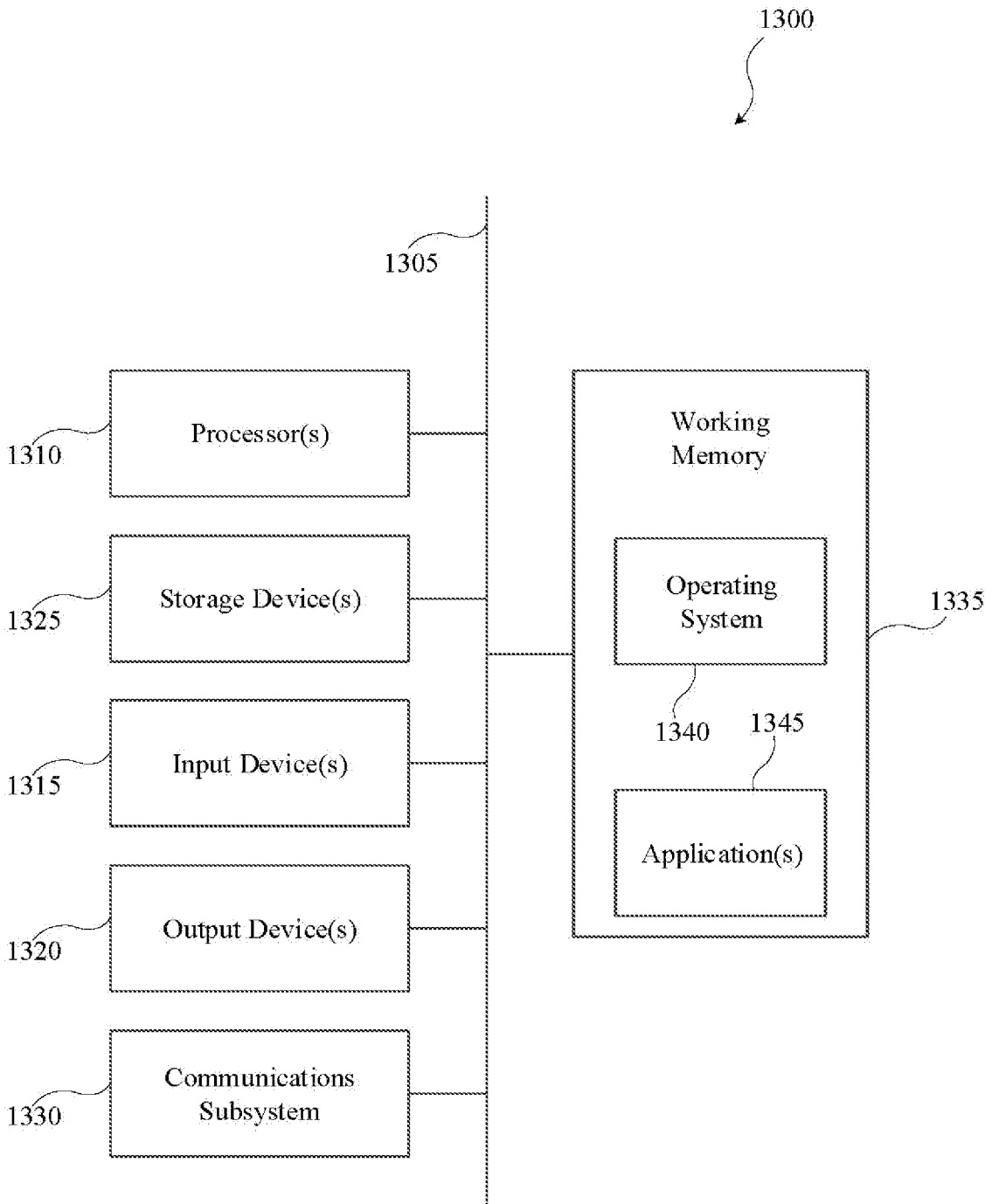


FIG. 13

BIPOLAR HIGH VOLTAGE PULSER

BACKGROUND

High voltage pulsing power supplies have application in a number of fields. But power supplies that produce high voltage pulses at high pulse repetition frequencies are not available due to various technical limitations.

SUMMARY

A bipolar high voltage pulsing power supply is disclosed that can produce high voltage bipolar pulses with a positive high voltage pulse greater than about 200 V followed by a negative high voltage pulse less than about -200 V with a positive to negative dwell period between the positive high voltage pulse and the negative high voltage pulse. A high voltage bipolar pulsing power supply, for example, can reproduce high voltage pulses with a high pulse repetition rate greater than about 10 kHz.

A bipolar high voltage bipolar pulsing power supply, for example, is disclosed that can produce high voltage bipolar pulses with a positive high voltage pulse greater than about 2 kV followed by a negative high voltage pulse less than about -2 kV with a positive to negative dwell period between the positive high voltage pulse and the negative high voltage pulse. A high voltage bipolar pulsing power supply, for example, can reproduce high voltage pulses with a high pulse repetition rate greater than about 10 kHz.

A high voltage bipolar pulsing power supply, for example, is disclosed that includes a DC source; an energy storage capacitor coupled with the DC source; a first high voltage switch electrically coupled with the DC source and the energy storage capacitor; a first diode arranged across the first high voltage switch; a second high voltage switch electrically coupled with the DC source and the energy storage capacitor; a second diode arranged across the second high voltage switch; a third high voltage switch arranged in series between the first high voltage switch and ground; a third diode arranged across the third high voltage switch; a fourth high voltage switch arranged in series between the second high voltage switch and ground; a fourth diode arranged across the fourth high voltage switch; and an output having a first lead electrically coupled between first high voltage switch and the third high voltage switch and the second lead electrically coupled between second high voltage switch and the fourth high voltage switch.

In some examples, the first high voltage switch, the second high voltage switch, the third high voltage switch, and/or the fourth high voltage switch each have a capacitance less than about 10 nF.

In some examples, the first high voltage switch comprises a first plurality of solid state switches arranged in parallel, the second high voltage switch comprises a second plurality of solid state switches arranged in parallel, the third high voltage switch comprises a third plurality of solid state switches arranged in parallel, and/or the fourth high voltage switch comprise a fourth plurality of solid state switches arranged in parallel.

In some examples, the first high voltage switch, the second high voltage switch, the third high voltage switch, and/or the fourth high voltage switch each comprise a switch selected from the group consisting of an IGBT, a MOSFET, a SiC MOSFET, a SiC junction transistor, a FET, a SiC switch, a GaN switch, and a photoconductive switch.

In some examples, the circuit comprising both the DC source and the energy storage capacitor has an inductance less than about 10 nH.

In some examples, the circuit comprising both the first high voltage bipolar pulsing power supply and the second high voltage switch has an inductance less than about 10 nH.

In some examples, the first lead of the output is coupled with a first lead of an electrode and the second lead of the output is coupled with a second lead of the electrode.

The high voltage bipolar pulsing power supply, for example, can also include a first tail sweeper switch and a first tail sweeper resistor arranged in series across the first high voltage switch; a second tail sweeper switch and a second tail sweeper resistor arranged in series across the first high voltage switch; a third tail sweeper switch and a third tail sweeper resistor arranged in series across the first high voltage switch; and a fourth tail sweeper switch and a fourth tail sweeper resistor arranged in series across the first high voltage switch.

A high voltage, multilevel, bipolar pulsing power supply, for example, is disclosed that includes: a first DC source; a first energy storage capacitor coupled with the first DC source; a first diode having an anode and a cathode, the anode electrically coupled with the first DC source and the first energy storage capacitor; a first high voltage switch electrically coupled with the cathode of the first diode; a first diode arranged across the first high voltage switch; a second high voltage switch electrically coupled with the cathode of the first diode; a second diode arranged across the second high voltage switch; a third high voltage switch arranged in series between the first high voltage switch and ground; a third diode arranged across the third high voltage switch; a fourth high voltage switch arranged in series between the second high voltage switch and ground; a fourth diode arranged across the fourth high voltage switch; a second DC source; a second energy storage capacitor coupled with the second DC source; a fifth high voltage switch electrically coupled with the second DC source and the second energy storage capacitor; a fifth diode arranged across the fifth high voltage switch; a sixth high voltage switch electrically coupled with the cathode of the second DC source and the second energy storage capacitor; a sixth diode arranged across the sixth high voltage switch; and an output having a first lead electrically coupled between first high voltage switch and the third high voltage switch and the second lead electrically coupled between second high voltage switch and the fourth high voltage switch.

In some embodiments, the second DC source produces a voltage greater than the first DC source.

In some embodiments, the first high voltage switch, the fourth high voltage switch, and the fifth high voltage switch are closed to produce a voltage at the output equal to a voltage of the second DC source; the second high voltage switch, the third high voltage switch, and the sixth high voltage switch are closed to produce a voltage at the output equal to a negative voltage of the second DC source; the first high voltage switch and the fourth high voltage switch are closed to produce a voltage at the output equal to a voltage of the first DC source; and the second high voltage switch and the third high voltage switch are closed to produce a voltage at the output equal to a negative voltage of the first DC source.

In some examples, the first high voltage switch, the second high voltage switch, the third high voltage switch, the fourth high voltage switch, the fifth high voltage switch, and the sixth high voltage switch each have a capacitance less than about 500 pF.

The high voltage bipolar pulsing power supply, for example, may also include a first tail sweeper switch and a first tail sweeper resistor arranged in series across the first high voltage switch; a second tail sweeper switch and a second tail sweeper resistor arranged in series across the first high voltage switch; a third tail sweeper switch and a third tail sweeper resistor arranged in series across the first high voltage switch; a fourth tail sweeper switch and a fourth tail sweeper resistor arranged in series across the first high voltage switch; a fifth tail sweeper switch and a fifth tail sweeper resistor arranged in series across the fifth high voltage switch; and a sixth tail sweeper switch and a sixth tail sweeper resistor arranged in series across the sixth high voltage switch.

A high voltage, multilevel, bipolar pulsing power supply, for example, is disclosed that includes: a DC source; an energy storage capacitor coupled with the DC source; a diode having an anode and a cathode, the anode electrically coupled with the DC source and the energy storage capacitor; a first high voltage switch electrically coupled with the cathode of the diode; a first diode arranged across the first high voltage switch; a first tail sweeper switch and a first tail sweeper resistor arranged in series across the first high voltage switch; a second high voltage switch electrically coupled with the cathode of the diode; a second diode arranged across the second high voltage switch; a second tail sweeper switch and a second tail sweeper resistor arranged in series across the first high voltage switch; a third high voltage switch arranged in series between the first high voltage switch and ground; a third diode arranged across the third high voltage switch; a third tail sweeper switch and a third tail sweeper resistor arranged in series across the first high voltage switch; a fourth high voltage switch arranged in series between the second high voltage switch and ground; a fourth diode arranged across the fourth high voltage switch; a fourth tail sweeper switch and a fourth tail sweeper resistor arranged in series across the first high voltage switch; and an output having a first lead electrically coupled between first high voltage switch and the third high voltage switch and the second lead electrically coupled between second high voltage switch and the fourth high voltage switch.

In some examples, the first tail sweeper switch is closed prior to the first high voltage switch being closed; the second tail sweeper switch is closed prior to the second high voltage switch being closed; the third tail sweeper switch is closed prior to the third high voltage switch being closed; and the fourth tail sweeper switch is closed prior to the fourth high voltage switch being closed.

In some examples, the first high voltage switch, the second high voltage switch, the third high voltage switch, and the fourth high voltage switch each comprise a switch selected from the group consisting of an IGBT, a MOSFET, a SiC MOSFET, a SiC junction transistor, a FET, a SiC switch, a GaN switch, and a photoconductive switch.

In some examples, the first tail sweeper switch, the second tail sweeper switch, the third tail sweeper switch, and the fourth tail sweeper switch each comprise a switch selected from the group consisting of an IGBT, a MOSFET, a SiC MOSFET, a SiC junction transistor, a FET, a SiC switch, a GaN switch, and a photoconductive switch.

In some examples, the circuit between the diode and both the DC source and the energy storage capacitor has an inductance less than about 10 nH.

In some examples, the circuit between the diode and the first high voltage bipolar pulsing power supply and the second high voltage switch has an inductance less than about 10 nH.

In some examples, the first lead of the output is coupled with a first lead of an electrode and the second lead of the output is coupled with a second lead of the electrode.

The various embodiments and examples described in the summary and this document are provided not to limit or define the disclosure or the scope of the claims.

BRIEF DESCRIPTION OF THE FIGURES

FIG. 1 is an example illustration of a high voltage bipolar pulsing power supply driving a load.

FIG. 2A shows an output waveform at the load from the bipolar pulsing power supply.

FIG. 2B shows the open and close switch logic of the switches in the bipolar pulsing power supply shown in FIG. 1 to produce the waveforms shown in FIG. 2A.

FIG. 3A shows an output waveform at the load from the bipolar pulsing power supply.

FIG. 3B shows the open and close switch logic of the switches in the bipolar pulsing power supply shown in FIG. 1 to produce the waveforms shown in FIG. 3A.

FIG. 4A shows an output waveform at the load from the bipolar pulsing power supply.

FIG. 4B shows the open and close switch logic of the switches in the bipolar pulsing power supply shown in FIG. 1 to produce the waveforms shown in FIG. 4A.

FIG. 5 shows output burst waveforms from a bipolar pulsing power supply.

FIG. 6 is an example illustration of a high voltage, bipolar, multilevel, bipolar pulsing power supply driving a load.

FIG. 7A shows an output waveform at the load from the bipolar, multilevel, pulsing power supply.

FIG. 7B shows the open and close switch logic of the switches in the bipolar, multilevel, pulsing power supply shown in FIG. 6 to produce the waveforms shown in FIG. 7A.

FIG. 8A shows an output waveform at the load from the bipolar, multilevel, pulsing power supply.

FIG. 8B shows the open and close switch logic of the switches in the bipolar, multilevel, pulsing power supply shown in FIG. 6 to produce the waveforms shown in FIG. 8A.

FIG. 9A shows an output waveform at the load from the bipolar, multilevel, pulsing power supply.

FIG. 9B shows the open and close switch logic of the switches in the bipolar, multilevel, pulsing power supply shown in FIG. 6 to produce the waveforms shown in FIG. 8A.

FIG. 10 is an example illustration of a high voltage, bipolar, multilevel, bipolar pulsing power supply driving a load.

FIG. 11 is an example illustration of a high voltage bipolar pulsing power supply driving a load.

FIG. 12A shows an output waveform at the load from the bipolar, pulsing power supply shown in FIG. 11.

FIG. 12B shows the open and close switch logic of the switches in the bipolar, pulsing power supply shown in FIG. 11 to produce the waveforms shown in FIG. 12A.

FIG. 13 is a block diagram of a computational system that can be used to with or to perform some embodiments described in this document.

DETAILED DESCRIPTION

A bipolar high voltage bipolar pulsing power supply is disclosed. A bipolar and high voltage, multilevel bipolar

pulsing power supply is also disclosed. A high voltage bipolar pulsing power supply can produce high voltage bipolar pulses that include a positive high voltage pulse greater than about 100 V, 200 V, 500 V, 1 kV, 2 kV, 5 kV, 10 kV, etc. followed by a negative high voltage pulse less than about -100 V, -200 V, -500 V, -1 kV, -2 kV, -5 kV, 10 kV etc. with a positive to negative dwell between the positive high voltage pulse and the negative high voltage pulse. The high voltage bipolar pulsing power supply can reproduce these high voltage pulses with a high pulse repetition rate greater than about 10 kHz.

FIG. 1 is an example illustration of a high voltage bipolar pulsing power supply **105** driving a load **150**.

The high voltage bipolar pulsing power supply **105** may include a first DC source **110** and an energy storage capacitor **111**. The first DC source **110**, for example, may include a high voltage bipolar pulsing power supply that charges the energy storage capacitor **111**. The energy storage capacitor **111**, for example, may include a capacitor having a capacitance of about 80 nF to about 250 nF or about 2 μ F to 100 μ F.

The high voltage bipolar pulsing power supply **105**, for example, may include the first switch circuit **121**, the second switch circuit **122**, the third switch circuit **123**, and the fourth switch circuit **124**. Each of the switch circuits **121**, **122**, **123**, or **124**, for example, may include a plurality of switches in series or in parallel such as, for example, four switches, eight switches, twelve switches, etc. arranged in parallel.

The first switch circuit **121** may be coupled with the first DC source **110** and a first side of load **150**. The third switch circuit **123** may be coupled with ground and the first side of load **150** and first switch circuit **121**. The second switch circuit **122** may be coupled with the first DC source **110** and a second side of the load **150**. The fourth switch circuit **124** may be coupled with ground, the second side of load **150**, and the second switch circuit **122**.

Each of the switch circuits **121**, **122**, **123**, and **124**, for example, may include one or more of any type of solid-state switch such as, for example, IGBTs, a MOSFETs, a SiC MOSFETs, SiC junction transistors, FETs, SiC switches, GaN switches, photoconductive switches, etc. Each of the switch circuits **121**, **122**, **123**, and **124** may be switched at high frequencies and/or may produce a high voltage pulses. These frequencies may, for example, include frequencies of about 1 kHz, 5 kHz, 10 kHz, 25 kHz, 50 kHz, 100 kHz, etc.

Each switch of the switch circuits **121**, **122**, **123**, and **124** may be coupled in parallel with a respective bridge diode, may have a stray capacitance, and/or may have stray inductance. The stray inductances of each of the switch circuits **121**, **122**, **123**, and **124** may be substantially equal. The stray inductances of each of the switch circuits **121**, **122**, **123**, and **124**, for example, may be less than about 5 nH, 10 nH, 50 nH, 100 nH, 150 nH, etc. The stray capacitance of each of the switch circuits **121**, **122**, **123**, and **124**, for example, may be low such as, for example, less than about 400 nF, 200 nF, 100 nF, 50 nF, 25 nF, 10 nF, etc. If each switch of the switch circuits **121**, **122**, **123**, and **124** may include multiple individual switches, then the combination of the multiple individual switches may have a capacitance of less than about 150 nF, 100 nF, 50 nF, 25 nF, 10 nF, 5 nF, etc.

The combination of a switch (e.g., one of the switch circuits **121**, **122**, **123**, or **124**), a respective diode (e.g., one of diodes **131**, **132**, **133**, and **134**), and related circuitry may have a stray inductance of less than about 5 nH, 10 nH, 50 nH, 100 nH, 150 nH, etc. The high voltage bipolar pulsing power supply **105** may include low stray inductance

throughout the circuit such as, for example, an inductance less than about 5 nH, 10 nH, 50 nH, 100 nH, 150 nH, 200 nH, etc.

The load **150** may comprise any type of load. For example, the load **150** may have an output resistance less than about 250 ohms, 100 ohms, 50 ohms, 25 ohms, 10 ohms, 5 ohms, 2 ohms, 1 ohm, etc. The load **150**, for example, may include an electromagnetic coil, a one or two lead electrode, a transformer, etc. The load **150**, for example, may be part of a metal 3D printing process, an electrode for ablation, an electrode for electroporation, water purification, etc. The load **150** may include a transformer that may be used to increase the power produced by the high voltage bipolar pulsing power supply **105**.

FIG. 2A shows an output waveform at the load **150** from the high voltage bipolar pulsing power supply **105**. FIG. 2B shows the open and close switch logic of the switch circuits **121**, **122**, **123**, and **124** to produce the waveforms shown in FIG. 2A. This output waveform comprises a positive pulse **171** and a negative pulse **172**. When the first switch circuit **121** and the fourth switch circuit **124** are closed and the second switch circuit **122** and the third switch circuit **123** are open the positive pulse **171** is formed. When the second switch circuit **122** and the third switch circuit **123** are closed and the first switch circuit **121** and the fourth switch circuit **124** are open the negative pulse **172** is formed.

Each positive pulse **171** in FIG. 2A has a voltage of V_1 and each negative pulse **172** in FIG. 2A has a negative voltage of $-V_1$. The voltage V_1 is the voltage from the energy storage capacitor **111** and/or the first DC source **110**, V_1 . The time between the positive pulse **171** and the **172** is the dwell. The time between each consecutive positive pulse **171** is the inverse of the pulse repetition frequency (1/PRF). The time between the end of the first negative pulse **172** and the start of the first positive pulse is the pulse-to-pulse dwell. The pulse width of the positive pulse is the PW_{pos} and the pulse width of the negative pulse is the PW_{neg} .

FIG. 3A shows an output waveform at the load **150** from the high voltage bipolar pulsing power supply **105** with a plurality of positive pulses **305** followed by a negative pulse **306**. FIG. 3B shows the open and close switch logic of the switch circuits **121**, **122**, **123**, and **124** to produce the waveforms shown in FIG. 3A. This output waveform comprises a plurality of positive pulses **305** and a longer negative pulse **306**. When the first switch circuit **121** and the fourth switch circuit **124** are closed and the second switch circuit **122** and the third switch circuit **123** are open the each one of the plurality of positive pulses **305** are formed. When the second switch circuit **122** and the third switch circuit **123** are closed and the first switch circuit **121** and the fourth switch circuit **124** are open the negative pulse **306** is formed.

Each positive pulse of the plurality of positive pulses **305** in FIG. 3A has a voltage of V_1 and each negative pulse **306** in FIG. 3A has a negative voltage of $-V_1$. The voltage V_1 is the voltage from the energy storage capacitor **111** and/or the first DC source **110**, V_1 . Each pulse of the plurality of pulses **305** may have a pulse width of PW_{pos} , and the pulse width of the negative pulse is the PW_{neg} . The time between the first pulse of the plurality of positive pulses **305** and the next first pulse of the plurality of pulses **305** is the pulse repetition frequency (1/PRF).

FIG. 4A shows an output waveform at the load **150** from the bipolar pulsing power supply **105** with a positive first longer pulse **410**, a plurality of positive pulses **405** followed by a negative pulse **406**. FIG. 3B shows the open and close switch logic of the switch circuits **121**, **122**, **123**, and **124** to produce the waveforms shown in FIG. 4A. When the first

switch circuit 121 and the fourth switch circuit 124 are closed and the second switch circuit 122 and the third switch circuit 123 are open the each one of the first positive pulse 410 and the plurality of positive pulses 405 are formed. When the second switch circuit 122 and the third switch circuit 123 are closed and the first switch circuit 121 and the fourth switch circuit 124 are open the negative pulse 406 is formed.

Each positive pulse of the plurality of positive pulses 405 and the long pulse 410 in FIG. 4A has a voltage of V_1 and each negative pulse 406 in FIG. 4A has a negative voltage of $-V_1$. The voltage V_1 is the voltage from the energy storage capacitor 111 and/or the first DC source 110, V_1 . Each pulse of the plurality of pulses 405 may have a pulse width of PW_{pos2} , the long positive pulse 410 may have a pulse width of PW_{pos1} , and the pulse width of the negative pulse is the PW_{neg} . The pulse width PW_{pos1} of the long pulse may be longer than the pulse width PW_{pos2} of each of the plurality of positive pulses 405 such as, for example, substantially more than two, three, four, five, ten, twenty, fifty, one hundred, five hundred, etc. times as long.

The time between the first pulse of the plurality of positive pulses 305 and the next first pulse of the plurality of pulses 305 is the pulse repetition frequency (1/PRF).

As shown in FIG. 5, the high voltage bipolar pulsing power supply 105 can produce burst pulses 305 that includes a plurality of bipolar pulses. The time between consecutive bursts is the burst-to-burst dwell and the time between the start of a first burst and the start of a second burst is the inverse of burst frequency ($1/freq_{burst}$).

A controller (e.g., computational system 1300) may be coupled with each switch (e.g., the first switch circuit 121, the second switch circuit 122, the third switch circuit 123, and the fourth switch circuit 124) may control the opening and closing of these switch circuits. The controller may control the switch circuits to produce the waveforms shown in FIG. 2A by opening closing the switch circuits as shown in FIG. 2B. The controller may control the timing of the switch circuits to produce the waveforms shown in FIG. 3.

The controller can control the switch circuits to produce long pulse widths with a low pulse repetition frequency (PRF). For example, the controller can close the first switch circuit 121 and the fourth switch circuit 124 for a long duration (e.g., 5 ms, 2.5 ms, 1 ms, 500 ns, etc.), then open the first switch circuit 121 and the fourth switch circuit 124 and close the second switch circuit 122 and the third switch circuit 123 for a long duration (e.g., 5 ms, 2.5 ms, 1 ms, 500 ns, etc.), and then open the second switch circuit 122 and the third switch circuit 123. The controller can repeat this process after any period of time such as, for example, a pulse repetition frequency of 1 kHz, 10 kHz, 100 kHz, etc.

The controller can control the switch circuits to produce a plurality of short pulses (e.g., 250 ns, 500 ns, 1 ms, 5 ms, etc.) with a high pulse repetition frequency (e.g., 1 kHz, 5 kHz, 10 kHz, 25 kHz, etc.) within a burst and repeat the burst after a period of time (e.g., 250 ms, 500 ms, 1 s, 3 s, 5 s, etc.) such as, for example, as shown in FIG. 3. The controller can repeat these bursts, for example, hundreds or thousands of times.

FIG. 6 shows an example high voltage, multilevel, bipolar pulsing power supply 605 driving the load 150. The high voltage, multilevel, bipolar pulsing power supply 605 includes the high voltage bipolar pulsing power supply 105 and a fifth switch circuit 125 with a corresponding diode 135, a sixth switch circuit 126 with a corresponding diode 136, a second DC source 108, and a second energy storage capacitor 109. The fifth switch circuit 125 is coupled

between the second DC source 108 and the first switch circuit 121. The sixth switch circuit 126 is coupled between the second DC source 108 and the second switch circuit 122. A diode may be included between the second DC source 108 and the fifth switch circuit 125 and between the second DC source 108 and the sixth switch circuit 126.

The second DC source 108 can produce a voltage greater than the first DC source 110.

The diode 115 ensures charge flows from the energy storage capacitor 111, through the closed switch circuits, either the first switch circuit 121 and the fourth switch circuit 124 or the second switch circuit 122 and the third switch circuit 123 to the load 150. The high voltage, multilevel, bipolar pulsing power supply 605 can produce either 1) bipolar pulses with a high voltage as shown in FIG. 7A or 2) bipolar and multilevel pulses as shown in FIG. 8A. In FIG. 7A the first pulse 191 has a voltage of V_1 , which is the voltage of first DC source 110, and the second pulse 192 has a voltage V_2 , which is the voltage of the second DC source 108.

FIG. 7B shows the shows the open and close switch logic of the switch 121, 122, 123, 124, 125, and 126, to produce the bipolar waveforms shown in FIG. 7A. The positive portion of the first pulse 191 is formed with a voltage V_2 , when the fifth switch circuit 125, the first switch circuit 121, and the fourth switch circuit 124 are closed and the sixth switch circuit 126, the second switch circuit 122 and the third switch circuit 123 are open. The negative portion of the first pulse 191 is formed with a voltage V_2 , when the sixth switch circuit 126, the second switch circuit 122, and the third switch circuit 123 are closed and the fifth switch circuit 125, the first switch circuit 121, and the fourth switch circuit 124 are open. The positive portion of the second pulse 192 is formed with a voltage V_1 , when the first switch circuit 121 and the fourth switch circuit 124 are closed and the sixth switch circuit 126, the second switch circuit 122, the fifth switch circuit 125, and the third switch circuit 123 are open. The negative portion of the second pulse 192 is formed with a voltage V_2 , when the second switch circuit 122 and the third switch circuit 123 are closed and the fifth switch circuit 125, the sixth switch circuit 126, the first switch circuit 121, and the fourth switch circuit 124 are open.

FIG. 8B shows the shows the open and close switch logic of the switch circuits 121, 122, 123, 124, 125, and 126 to produce the multilevel bipolar waveforms shown in FIG. 8A. When the first switch circuit 121 and the fourth switch circuit 124 are closed and the fifth switch circuit 125, the sixth switch circuit 126, the second switch circuit 122, and the third switch circuit 123 are open, first level positive pulse 185 is formed at voltage V_1 . When the switch, 125, the first switch circuit 121 and the fourth switch circuit 124 are closed and the sixth switch circuit 126, the second switch circuit 122, and the third switch circuit 123 are open, the second level positive pulse 186 is formed at voltage V_2 . The combination of the first level positive pulse 185 and the second level positive pulse 186 forms a multilevel positive pulse. When the second switch circuit 122 and the third switch circuit 123 are closed and the fifth switch circuit 125, the sixth switch circuit 126, the first switch circuit 121, and the fourth switch circuit 124 are open, the first level negative pulse 187 is formed at voltage $-V_1$. When the switch, 126, the second switch circuit 122, and the third switch circuit 123 are closed and the fifth switch circuit 125, the first switch circuit 121, and the fourth switch circuit 124 are open, second level negative pulse 188 is formed at voltage $-V_2$. The combination of the first level negative pulse 187

and the second level negative pulse **188** forms a multilevel negative pulse. The V_2 is the voltage of the second DC source **108**.

FIG. **9B** shows the open and close switch logic of the switch circuits **121**, **122**, **123**, **124**, **125**, and **126** to produce the multilevel bipolar waveforms shown in FIG. **9A**. FIG. **9A** shows a first burst of pulses **905** having a voltage V_2 , a second burst of pulses **906** having a negative voltage V_2 , a third burst of pulses **907** having a voltage V_1 , and a fourth burst of pulses **908** having a negative voltage V_1 . The first burst of pulses **905** may include any number of pulses; the second burst of pulses **906** may include any number of pulses; the third burst of pulses **907** may include any number of pulses; and/or the fourth burst of pulses **908** may include any number of pulses. The bursts of pulses may occur in any order or sequence. The first plurality of pulses **905**, the second plurality of pulses **906**, the third plurality of pulses **907**, and/or the fourth plurality of pulses **908** may have any pulse repetition frequency and/or each pulse of the plurality of pulses may have any pulse widths.

The first burst of pulses **905** with a voltage V_2 may be created by closing the first switch circuit **121**, the fourth switch circuit **124**, and the fifth switch circuit **125**; and opening the second switch circuit **122**, the third switch circuit **123**, and the sixth switch circuit **126**. The second burst of pulses **906** with a negative voltage V_2 may be created by closing the second switch circuit **122**, the third switch circuit **123**, and the sixth switch circuit **126**; and opening the first switch circuit **121**, the fourth switch circuit **124**, and the fifth switch circuit **125**. The third burst of pulses **907** with a voltage V_1 may be created by closing the first switch circuit **121** and the fourth switch circuit **124**; and opening the second switch circuit **122**, the third switch circuit **123**, the fifth switch **125**, and the sixth switch **126**. The fourth burst of pulses **908** with a negative voltage V_1 may be created by closing the second switch circuit **122** and the third switch circuit **123**; and opening the first switch circuit **121**, the fourth switch circuit **124**, the fifth switch **125**, and the sixth switch **126**.

The bipolar pulsing power supply **605** may include additional switch circuit to produce additional multilevel pulses. FIG. **10** shows an example high voltage, multilevel, bipolar pulsing power supply **1005** with a seventh switch circuit **127** and an eighth switch circuit **128** coupled with a third DC source **112** and a third energy storage capacitor **113**. The seventh switch circuit **127** may include a corresponding diode **137** and the eighth switch circuit **128** may include a corresponding diode **138**. An additional diode **116** may also be included between the second DC source **108** and the second energy storage capacitor **109** and both the fifth switch circuit **125** and the sixth switch circuit **126**. The third DC source **112** may have a voltage greater than the first DC source **110** and/or the second DC source **108**. The high voltage bipolar pulsing power supply **1005** may produce multilevel pulses with three levels of voltage.

Additional DC sources and switch circuits may be added to create additional multilevel pulses of any number of voltage levels.

FIG. **11** shows an example high voltage bipolar pulsing power supply **1005** driving the load **150**. In this example, the high voltage bipolar pulsing power supply **105** includes four tail sweeper switches (e.g., switches **163**, **164**, **165**, **166**) and corresponding tail sweeper resistors (e.g., resistors **173**, **174**, **175**, and **176**). Alternatively, the tail sweeper resistors can be replaced with inductors or capacitors.

The first tail sweeper switch **163** and the first tail sweeper resistor **173** are coupled across the first switch circuit **121**,

the second tail sweeper switch **164** and the second tail sweeper resistor **174** are coupled across the second switch circuit **122**, the third tail sweeper switch **165** and the third tail sweeper resistor **175** are coupled across the third switch circuit **123**, and the fourth tail sweeper switch **166** and the fourth tail sweeper resistor **176** are coupled across the fourth switch circuit **124**. Each tail sweeper switch can be closed prior to the corresponding switch circuit to dissipate any tail current in the circuit into the tail sweeper resistor as shown in FIG. **12B**.

FIG. **12A** shows bipolar pulses produced with the high voltage bipolar pulsing power supply **1005**. FIG. **12B** shows the open and close switch logic of the switch circuits **121**, **122**, **123**, **124**, **125**, and **126** and/or the tail sweeper switches **163**, **164**, **165**, and **166** to produce the bipolar waveforms shown in FIG. **12A**. For example, the tail sweeper switch **163** and the tail sweeper switch **166** are closed prior to closing the first switch circuit **121** and the fourth switch circuit **124**. And the tail sweeper switch **164** and the tail sweeper switch **165** are closed prior to closing the second switch circuit **122** and the third switch circuit **123**. By closing the tail sweeper switch **164** and the tail sweeper switch **165** prior to closing the second switch circuit **122** and the third switch circuit **123**, the dwell between the positive pulse **191** and the negative pulse **192** can be substantially eliminated or completely eliminated.

The computational system **1300**, shown in FIG. **13** can be used to perform any of the embodiments of the invention. For example, computational system **1300** can be used to control the switching of the various switch circuits described in this document. As another example, computational system **1300** can perform any calculation, identification and/or determination described here. The computational system **1300** may include hardware elements that can be electrically coupled via a bus **1305** (or may otherwise be in communication, as appropriate). The hardware elements can include one or more processors **1310**, including without limitation one or more general-purpose processors and/or one or more special-purpose processors (such as digital signal processing chips, graphics acceleration chips, and/or the like); one or more input devices **1315**, which can include without limitation a mouse, a keyboard and/or the like; and one or more output devices **1320**, which can include without limitation a display device, a printer and/or the like.

The computational system **1300** may further include (and/or be in communication with) one or more storage devices **1325**, which can include, without limitation, local and/or network accessible storage and/or can include, without limitation, a disk drive, a drive array, an optical storage device, a solid-state storage device, such as a random access memory ("RAM") and/or a read-only memory ("ROM"), which can be programmable, flash-updateable and/or the like. The computational system **1300** might also include a communications subsystem **1330**, which can include without limitation a modem, a network card (wireless or wired), an infrared communication device and/or chipset (such as a Bluetooth device, an 802.6 device, a Wi-Fi device, a WiMax device, cellular communication facilities, etc.), and/or the like. The communications subsystem **1330** may permit data to be exchanged with a network (such as the network described below, to name one example), and/or any other devices described in this document. In many embodiments, the computational system **1300** will further include a working memory **1335**, which can include a RAM or ROM device, as described above.

11

The computational system **1300** also can include software elements, shown as being currently located within the working memory **1335**, including an operating system **1340** and/or other code, such as one or more application programs **1345**, which may include computer programs of the invention, and/or may be designed to implement methods of the invention and/or configure systems of the invention, as described herein. For example, one or more procedures described with respect to the method(s) discussed above might be implemented as code and/or instructions executable by a computer (and/or a processor within a computer). A set of these instructions and/or codes might be stored on a computer-readable storage medium, such as the storage device(s) **1325** described above.

In some cases, the storage medium might be incorporated within the computational system **1300** or in communication with the computational system **1300**. In other embodiments, the storage medium might be separate from a computational system **1300** (e.g., a removable medium, such as a compact disc, etc.), and/or provided in an installation package, such that the storage medium can be used to program a general-purpose computer with the instructions/code stored thereon. These instructions might take the form of executable code, which is executable by the computational system **1300** and/or might take the form of source and/or installable code, which, upon compilation and/or installation on the computational system **1300** (e.g., using any of a variety of generally available compilers, installation programs, compression/decompression utilities, etc.) then takes the form of executable code.

Unless otherwise specified, the term “substantially” means within 5% or 10% of the value referred to or within manufacturing tolerances. Unless otherwise specified, the term “about” means within 5% or 10% of the value referred to or within manufacturing tolerances.

The conjunction “or” is inclusive.

The terms “first”, “second”, “third”, etc. are used to distinguish respective elements and are not used to denote a particular order of those elements unless otherwise specified or order is explicitly described or required.

Numerous specific details are set forth to provide a thorough understanding of the claimed subject matter. However, those skilled in the art will understand that the claimed subject matter may be practiced without these specific details. In other instances, methods, apparatuses or systems that would be known by one of ordinary skill have not been described in detail so as not to obscure claimed subject matter.

While the present subject matter has been described in detail with respect to specific embodiments thereof, it will be appreciated that those skilled in the art, upon attaining an understanding of the foregoing, may readily produce alterations to, variations of, and equivalents to such embodiments. Accordingly, it should be understood that the present disclosure has been presented for purposes of example rather than limitation, and does not preclude inclusion of such modifications, variations and/or additions to the present subject matter as would be readily apparent to one of ordinary skill in the art.

That which is claimed:

1. A high voltage bipolar pulsing power supply comprising:
 - a DC source;
 - an energy storage capacitor coupled with the DC source;
 - a first high voltage switch electrically coupled with the DC source and the energy storage capacitor;
 - a first diode arranged across the first high voltage switch;

12

- a first tail sweeper switch and a first tail sweeper resistor arranged in series across the first high voltage switch;
 - a second high voltage switch electrically coupled with the DC source and the energy storage capacitor;
 - a second diode arranged across the second high voltage switch;
 - a second tail sweeper switch and a second tail sweeper resistor arranged in series across the first high voltage switch;
 - a third high voltage switch arranged in series between the first high voltage switch and ground;
 - a third diode arranged across the third high voltage switch;
 - a third tail sweeper switch and a third tail sweeper resistor arranged in series across the first high voltage switch;
 - a fourth high voltage switch arranged in series between the second high voltage switch and ground;
 - a fourth diode arranged across the fourth high voltage switch;
 - a fourth tail sweeper switch and a fourth tail sweeper resistor arranged in series across the first high voltage switch and
 - an output having a first lead electrically coupled between the first high voltage switch and the third high voltage switch and a second lead electrically coupled between the second high voltage switch and the fourth high voltage switch, the output providing a plurality of high voltage pulses where each pulse of the plurality of pulses includes a positive pulse having a voltage greater than about 500 volts and a negative pulse having a negative voltage less than about -500 volts.
2. The high voltage bipolar pulsing power supply according to claim 1, wherein the output high voltage pulses with a pulse repetition rate greater than about 10 kHz.
 3. The high voltage bipolar pulsing power supply according to claim 1, wherein the first high voltage switch comprises a first plurality of solid state switches arranged in parallel, the second high voltage switch comprises a second plurality of solid state switches arranged in parallel, the third high voltage switch comprises a third plurality of solid state switches arranged in parallel, and the fourth high voltage switch comprise a fourth plurality of solid state switches arranged in parallel.
 4. The high voltage bipolar pulsing power supply according to claim 1, wherein the first high voltage switch, the second high voltage switch, the third high voltage switch, and the fourth high voltage switch each comprise a switch selected from the group consisting of an IGBT, a MOSFET, a SiC MOSFET, a SiC junction transistor, a FET, a SiC switch, a GaN switch, and a photoconductive switch.
 5. The high voltage bipolar pulsing power supply according to claim 1, wherein the circuit comprising both the DC source and the energy storage capacitor has an inductance less than about 10 nH.
 6. The high voltage bipolar pulsing power supply according to claim 1, wherein the circuit comprising both the first high voltage switch and the second high voltage switch has an inductance less than about 10 nH.
 7. The high voltage bipolar pulsing power supply according to claim 1, wherein both the first lead of the output and the second lead of the output are coupled with an electrode.
 8. The high voltage bipolar pulsing power supply according to claim 7, wherein the electrode comprises an electrode for ablation or an electrode for electroporation.
 9. A high voltage, multilevel, bipolar pulsing power supply comprising:
 - a first DC source;

13

a first energy storage capacitor coupled with the first DC source;

a diode having an anode and a cathode, the anode electrically coupled with the first DC source and the first energy storage capacitor;

a first high voltage switch electrically coupled with the cathode of the first diode;

a first diode arranged across the first high voltage switch;

a second high voltage switch electrically coupled with the cathode of the first diode;

a second diode arranged across the second high voltage switch;

a third high voltage switch arranged in series between the first high voltage switch and ground;

a third diode arranged across the third high voltage switch;

a fourth high voltage switch arranged in series between the second high voltage switch and ground;

a fourth diode arranged across the fourth high voltage switch;

a second DC source;

a second energy storage capacitor coupled with the second DC source;

a fifth high voltage switch electrically coupled with the second DC source and the second energy storage capacitor;

a fifth diode arranged across the fifth high voltage switch;

a sixth high voltage switch electrically coupled with the cathode of the second DC source and the second energy storage capacitor;

a sixth diode arranged across the sixth high voltage switch; and

an output having a first lead electrically coupled between the first high voltage switch and the third high voltage switch and the second lead electrically coupled between the second high voltage switch and the fourth high voltage switch.

10. The high voltage, multilevel, bipolar pulsing power supply according to claim 9, wherein the output provides a plurality of high voltage pulses each pulse of the plurality of high voltage pulses having a first positive pulse with a voltage greater than 500 volts, a second high pulse with a positive voltage greater than the voltage of the first positive pulse, and a negative pulse with a voltage less than -500 volts.

11. The high voltage, multilevel, bipolar pulsing power supply according to claim 9, wherein the second DC source produces a voltage greater than the first DC source.

12. The high voltage, multilevel, bipolar pulsing power supply according to claim 9, wherein:

the first high voltage switch, the fourth high voltage switch, and the fifth high voltage switch are closed to produce a voltage at the output equal to a voltage of the second DC source;

the second high voltage switch, the third high voltage switch, and the sixth high voltage switch are closed to produce a voltage at the output equal to a negative voltage of the second DC source;

the first high voltage switch and the fourth high voltage switch are closed to produce a voltage at the output equal to a voltage of the first DC source; and

the second high voltage switch and the third high voltage switch are closed to produce a voltage at the output equal to a negative voltage of the first DC source.

13. The high voltage bipolar pulsing power supply according to claim 9, wherein the first high voltage switch, the second high voltage switch, the third high voltage

14

switch, the fourth high voltage switch, the fifth high voltage switch, and the sixth high voltage switch each have a capacitance less than about 500 pF.

14. The high voltage bipolar pulsing power supply according to claim 9, further comprising:

a first tail sweeper switch and a first tail sweeper resistor arranged in series across the first high voltage switch;

a second tail sweeper switch and a second tail sweeper resistor arranged in series across the first high voltage switch;

a third tail sweeper switch and a third tail sweeper resistor arranged in series across the first high voltage switch;

a fourth tail sweeper switch and a fourth tail sweeper resistor arranged in series across the first high voltage switch;

a fifth tail sweeper switch and a fifth tail sweeper resistor arranged in series across the fifth high voltage switch; and

a sixth tail sweeper switch and a sixth tail sweeper resistor arranged in series across the sixth high voltage switch.

15. A high voltage bipolar pulsing power supply comprising:

a DC source;

an energy storage capacitor coupled with the DC source;

a diode having an anode and a cathode, the anode electrically coupled with the DC source and the energy storage capacitor;

a first high voltage switch electrically coupled with the cathode of the diode;

a first diode arranged across the first high voltage switch;

a first tail sweeper switch and a first tail sweeper resistor arranged in series across the first high voltage switch;

a second high voltage switch electrically coupled with the cathode of the diode;

a second diode arranged across the second high voltage switch;

a second tail sweeper switch and a second tail sweeper resistor arranged in series across the first high voltage switch;

a third high voltage switch arranged in series between the first high voltage switch and ground;

a third diode arranged across the third high voltage switch;

a third tail sweeper switch and a third tail sweeper resistor arranged in series across the first high voltage switch;

a fourth high voltage switch arranged in series between the second high voltage switch and ground;

a fourth diode arranged across the fourth high voltage switch;

a fourth tail sweeper switch and a fourth tail sweeper resistor arranged in series across the first high voltage switch; and

an output having a first lead electrically coupled between the first high voltage switch and the third high voltage switch and a second lead electrically coupled between the second high voltage switch and the fourth high voltage switch, the output providing a plurality of high voltage pulses where each pulse of the plurality of pulses includes a positive pulse having a voltage greater than about 500 volts and a negative pulse having a negative voltage less than about -500 volts.

16. The high voltage bipolar pulsing power supply according to claim 15, wherein:

the first tail sweeper switch is closed prior to the first high voltage switch being closed;

the second tail sweeper switch is closed prior to the second high voltage switch being closed;

15

the third tail sweeper switch is closed prior to the third high voltage switch being closed; and the fourth tail sweeper switch is closed prior to the fourth high voltage switch being closed.

17. The high voltage bipolar pulsing power supply according to claim 15, wherein the first high voltage switch, the second high voltage switch, the third high voltage switch, and the fourth high voltage switch each comprise a switch selected from the group consisting of an IGBT, a MOSFET, a SiC MOSFET, a SiC junction transistor, a FET, a SiC switch, a GaN switch, and a photoconductive switch.

18. The high voltage bipolar pulsing power supply according to claim 15, wherein the first tail sweeper switch, the second tail sweeper switch, the third tail sweeper switch, and the fourth tail sweeper switch each comprise a switch selected from the group consisting of an IGBT, a MOSFET, a SiC MOSFET, a SiC junction transistor, a FET, a SiC switch, a GaN switch, and a photoconductive switch.

16

19. The high voltage bipolar pulsing power supply according to claim 15, wherein the circuit between the diode and both the DC source and the energy storage capacitor has an inductance less than about 10 nH.

20. The high voltage bipolar pulsing power supply according to claim 15, wherein the circuit between the diode and the first high voltage switch and the second high voltage switch has an inductance less than about 10 nH.

21. The high voltage bipolar pulsing power supply according to claim 15, wherein both the first lead of the output and the second lead of the output are coupled with an electrode.

22. The high voltage bipolar pulsing power supply according to claim 21, wherein the electrode comprises an electrode for ablation or an electrode for electroporation.

* * * * *