

[54] COMBINED KNEELER AND SEAT UNIT

[76] Inventors: Hans C. Mengshoel, Bygdoy Allé 12, 0262 Oslo 2; Peter Opsvik, Høgtunveien 12, 1370 Asker, both of Norway

[\*\*] Term: 14 Years

[21] Appl. No.: 715,084

[22] Filed: Mar. 22, 1985

[30] Foreign Application Priority Data

Dec. 19, 1984 [NO] Norway ..... 65847  
[52] U.S. Cl. .... D6/335; D6/330  
[58] Field of Search ..... D6/330, 335, 349, 354, D6/355; 297/271, 423, 438, 439

[56]

References Cited

U.S. PATENT DOCUMENTS

D. 277,722	2/1985	Gusrud .....	D6/335 X
D. 283,955	5/1986	Mengshoel et al. ....	D6/330
3,863,978	2/1975	Gillings, Jr. ....	D6/330 X
4,328,991	5/1982	Mengshoel et al. ....	297/271

Primary Examiner—Bruce W. Dunkins  
Attorney, Agent, or Firm—Darby & Darby

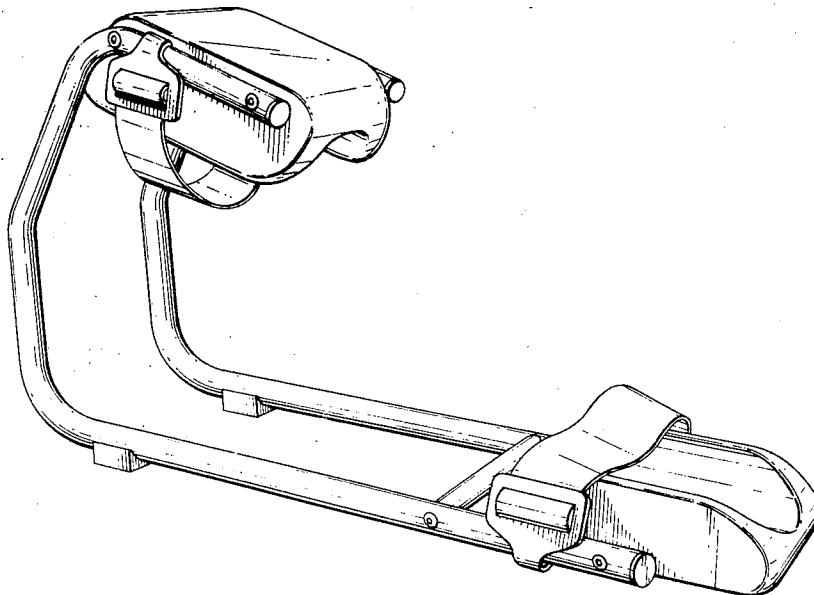
[57]

CLAIM

The ornamental design for a combined kneeler and seat unit, as shown and described.

DESCRIPTION

FIG. 1 is a front perspective view of a combined kneeler and seat unit embodying our new design; FIG. 2 is a rear perspective view from the other side of the supporting device; FIG. 3 is a top view of the supporting device; and FIG. 4 is a bottom view of the supporting device.



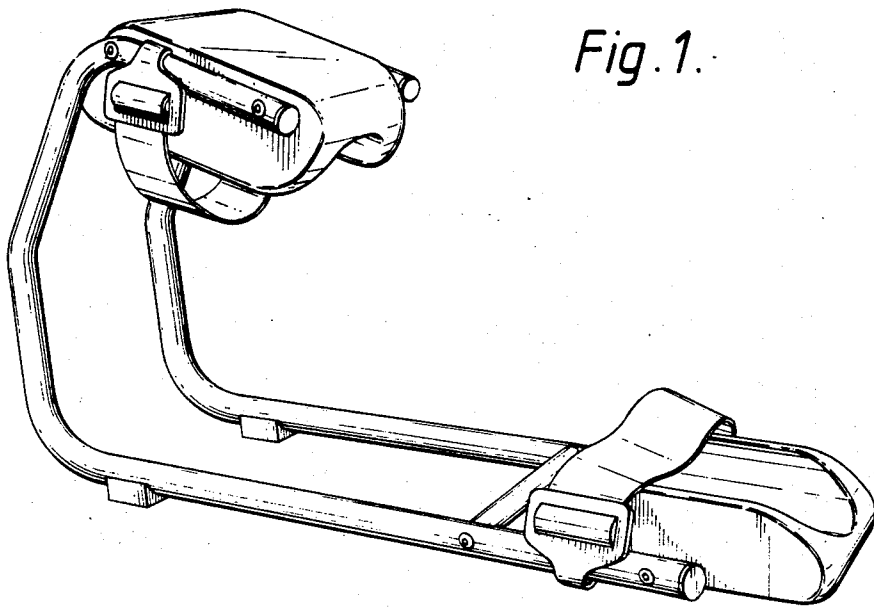


Fig. 1.

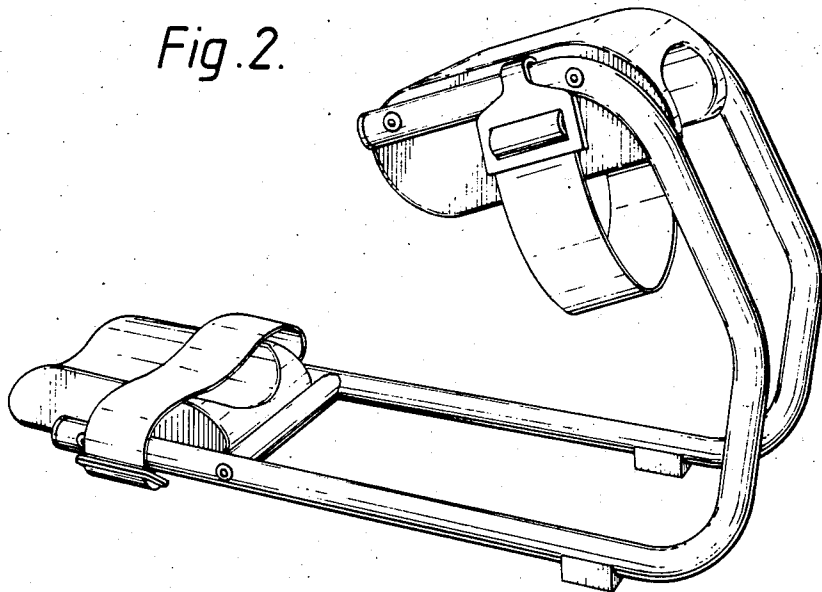
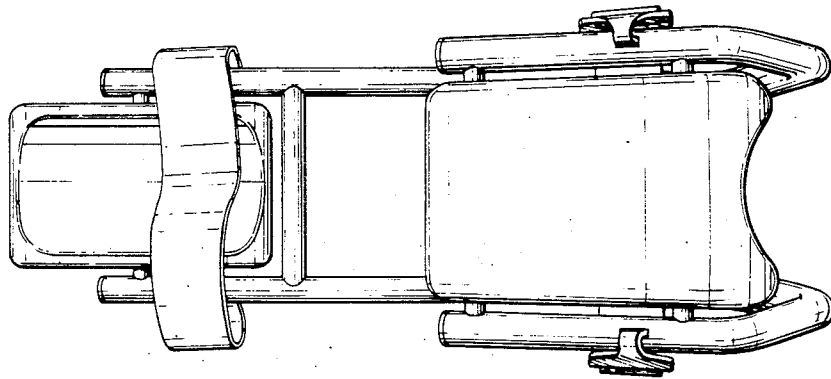


Fig. 2.

*Fig. 3.*



*Fig. 4.*

