



(51) International Patent Classification:

A61C 7/08 (2006.01) A61C 7/36 (2006.01)
A61C 3/00 (2006.01) A61C 9/00 (2006.01)
A61C 7/00 (2006.01)

(21) International Application Number:

PCT/US2019/047203

(22) International Filing Date:

20 August 2019 (20.08.2019)

(25) Filing Language:

English

(26) Publication Language:

English

(30) Priority Data:

16/147,354 28 September 2018 (28.09.2018) US

(72) Inventor; and

(71) Applicant: OWEN, Brandon [US/US]; 3703 Rocky Stream Drive, Fort Collins, CO 80528 (US).

(74) Agent: MILES, Craig, R.; CR Miles P.C., 405 Mason Court, Suite 119, Fort Collins, CO 80524 (US).

(81) Designated States (unless otherwise indicated, for every kind of national protection available):

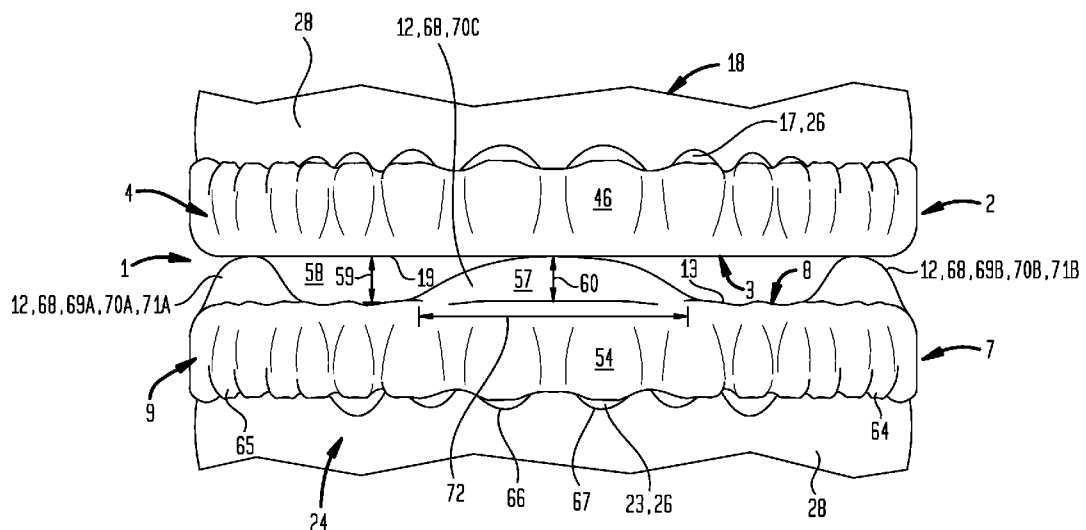
AE, AG, AL, AM, AO, AT, AU, AZ, BA, BB, BG, BH, BN, BR, BW, BY, BZ, CA, CH, CL, CN, CO, CR, CU, CZ, DE, DJ, DK, DM, DO, DZ, EC, EE, EG, ES, FI, GB, GD, GE, GH, GM, GT, HN, HR, HU, ID, IL, IN, IR, IS, JO, JP, KE, KG, KH, KN, KP, KR, KW, KZ, LA, LC, LK, LR, LS, LU, LY, MA, MD, ME, MG, MK, MN, MW, MX, MY, MZ, NA, NG, NI, NO, NZ, OM, PA, PE, PG, PH, PL, PT, QA, RO, RS, RU, RW, SA, SC, SD, SE, SG, SK, SL, SM, ST, SV, SY, TH, TJ, TM, TN, TR, TT, TZ, UA, UG, US, UZ, VC, VN, ZA, ZM, ZW.

(84) Designated States (unless otherwise indicated, for every kind of regional protection available):

ARIPO (BW, GH, GM, KE, LR, LS, MW, MZ, NA, RW, SD, SL, ST, SZ, TZ, UG, ZM, ZW), Eurasian (AM, AZ, BY, KG, KZ, RU, TJ, TM), European (AL, AT, BE, BG, CH, CY, CZ, DE, DK, EE, ES, FI, FR, GB, GR, HR, HU, IE, IS, IT, LT, LU, LV, MC, MK, MT, NL, NO, PL, PT, RO, RS, SE, SI, SK, SM, TR), OAPI (BF, BJ, CF, CG, CI, CM, GA, GN, GQ, GW, KM, ML, MR, NE, SN, TD, TG).

(54) Title: MOUTHPIECE HAVING ELEVATED CONTACT FEATURES

FIG. 1



(57) Abstract: An oral appliance including an upper body having an upper body channel to receive a maxillary dentition of an upper dental arch, a lower body having a lower body channel to receive a mandibular dentition, and at least one node disposed on the lower body base outer surface to engage the upper body outer surface upon receipt of the maxillary teeth of the upper dental arch in the upper body channel and the mandibular teeth of the lower dental arch in the lower body channel.



Declarations under Rule 4.17:

- *as to applicant's entitlement to apply for and be granted a patent (Rule 4.17(ii))*
- *as to the applicant's entitlement to claim the priority of the earlier application (Rule 4.17(iii))*
- *of inventorship (Rule 4.17(iv))*

Published:

- *with international search report (Art. 21(3))*

MOUTHPIECE HAVING ELEVATED CONTACT FEATURES

This International Patent Cooperation Treaty Patent Application is a continuation of United States Patent Application No. 16/147,354, filed September 28, 2018, hereby incorporated by reference herein.

5 I. TECHNICAL FIELD

An oral appliance including an upper body having an upper body channel to receive a maxillary dentition of an upper dental arch, a lower body having a lower body channel to receive a mandibular dentition, and at least one node disposed on the lower body base outer surface to engage the upper body outer surface upon receipt of the maxillary teeth of the upper dental arch
10 in the upper body channel and the mandibular teeth of the lower dental arch in the lower body channel.

II. DISCLOSURE OF THE INVENTION

Accordingly, a broad object of the present invention can be to provide an oral appliance including one or more of: an upper body including an arcuate upper body base joining a maxillary
15 labial wall and a maxillary lingual wall in spaced apart relation defining an upper body channel between opposing inner wall surfaces, the upper body channel having an upper dentition impression which matingly receives the maxillary teeth of an upper dental arch, and a lower body including an arcuate lower body base joining a mandibular labial wall and a mandibular lingual wall in spaced apart relation defining a lower body channel between opposing inner wall surfaces,
20 the lower body channel having a lower dentition impression which matingly receives the mandibular teeth of a lower dental arch, and at least one node disposed on the lower body base outer surface, the at least one node disposed to engage upper body outer surface upon receipt of the maxillary teeth of the upper dental arch in the upper body channel and receipt of the mandibular teeth of the lower dental arch in the lower body channel.

Another broad object of the present invention can be to provide a method of making an oral appliance including one or more of: joining a maxillary labial wall and a maxillary lingual wall to an upper body base in spaced apart relation defining an upper body channel between opposing inner wall surfaces, the upper body channel having an upper dentition impression which matingly receives the maxillary teeth of an upper dental arch, and joining a mandibular labial
30 wall and a mandibular lingual wall to a lower body base in spaced apart relation defining a lower body channel between opposing inner wall surfaces, the lower body channel having a lower

dentition impression which matingly receives the mandibular teeth of a lower dental arch, and disposing at least one node on a lower body base outer surface, the at least one node disposed to engage the upper body base outer surface upon receipt of the maxillary teeth of an upper dental arch in the upper body channel and receipt of the mandibular teeth of a lower dental arch in the lower body channel.

Another broad object of the present invention can be to provide a method of using an oral appliance including one or more of: engaging a maxillary dental arch to an upper dentition impression in an upper body channel of an upper body of the oral appliance, the upper body including an arcuate upper body base joining a maxillary labial wall and a maxillary lingual wall in spaced apart relation defining the upper body channel, and engaging the mandibular dental arch to a lower dentition impression in a lower body channel of the lower body of the oral appliance, the lower body including an arcuate lower body base joining a mandibular labial wall and a mandibular lingual wall in spaced apart relation defining the lower body channel, the arcuate lower body base having at least one node on a lower body base outer surface, and engaging the at least one node to the upper body base outer surface.

Naturally, further objects of the invention are disclosed throughout other areas of the specification, drawings, photographs, and claims.

III. BRIEF DESCRIPTION OF THE DRAWINGS

Figure 1 is a front elevation view of a particular embodiment of an oral appliance including an upper body which matingly receives maxillary teeth of an upper dental arch and a lower body which matingly receives mandibular teeth of a lower dental arch with a node disposed on each of an anterior medial portion, a left posterior portion, and a right posterior portion of the lower body.

Figure 2 is a front elevation view of a particular embodiment of a lower body including a node disposed on each of an anterior medial portion, a left posterior portion, and a right posterior portion thereof.

Figure 3 is a back elevation view of a particular embodiment of a lower body including a node disposed on each of an anterior medial portion, a left posterior portion, and a right posterior portion thereof.

Figure 4 is a side elevation view of a particular embodiment of a lower body including a node disposed on each of an anterior medial portion, a left posterior portion, and a right posterior portion thereof.

5 Figure 5 is a top plan view of a particular embodiment of a lower body including a node disposed on each of an anterior medial portion, a left posterior portion, and a right posterior portion thereof.

Figure 6 is a front elevation view of a particular embodiment of an upper body having a generally flat upper body base outer surface.

10 Figure 7 is a back elevation view of a particular embodiment of an upper body having a generally flat upper body base outer surface.

Figure 8 is a side elevation view of a particular embodiment of an upper body having a generally flat upper body base outer surface.

Figure 9 is a bottom plan view of a particular embodiment of an upper body having a generally flat upper body base outer surface.

15 Figure 10 is a front elevation view of a particular embodiment of an oral appliance including an upper body which matingly receives maxillary teeth of an upper dental arch and a lower body which matingly receives mandibular teeth of a lower dental arch with an elongate node disposed on the upper body, and a node disposed on each of an anterior medial portion, a left posterior portion, and a right posterior portion of a lower body.

20 Figure 11 is a front elevation view of a particular embodiment of an upper body including an elongate node disposed between a pair of nodes on the anterior medial portion of the upper body base outer surface.

25 Figure 12 is a back elevation view of a particular embodiment of an upper body including an elongate node disposed between a pair of nodes on the anterior medial portion of the upper body base outer surface.

Figure 13 is a side elevation view of a particular embodiment of an upper body including an elongate node disposed between a pair of nodes on the anterior medial portion of the upper body base outer surface.

Figure 14 is a top plan view of a particular embodiment of an upper body including an elongate node disposed between a pair of nodes on the anterior medial portion of the upper body base outer surface.

Figure 15 is a front elevation view of a particular embodiment of an oral appliance including an upper body which matingly receives maxillary teeth of an upper dental arch and a lower body which matingly receives mandibular teeth of a lower dental arch with a node disposed on each of an anterior medial portion, a left posterior portion, and a right posterior portion of a lower body, and an upper body having a pair of daises disposed on the upper body base outer surface to correspondingly contact the nodes disposed on the left posterior portion and the right posterior portion of the lower body.

Figure 16 is a front elevation view of a particular embodiment of an upper body having a pair of daises disposed on the upper body outer surface to correspondingly contact the nodes disposed on the left posterior portion and the right posterior portion of the lower body.

Figure 17 is a back elevation view of a particular embodiment of an upper body having a pair of daises disposed on the upper body base outer surface to correspondingly contact the nodes disposed on the left posterior portion and the right posterior portion of the lower body.

Figure 18 is a side elevation view of a particular embodiment of an upper body having a pair of daises disposed on the upper body base outer surface to correspondingly contact the nodes disposed on the left posterior portion and the right posterior portion of the lower body.

Figure 19 is a bottom plan view of a particular embodiment of an upper body having a pair of daises disposed on the upper body base outer surface to correspondingly contact the nodes disposed on the left posterior portion and the right posterior portion of the lower body.

Figure 20 is a front elevation view of a particular embodiment of an oral appliance including an upper body which matingly receives maxillary teeth of an upper dental arch and a lower body which matingly receives mandibular teeth of a lower dental arch with an elongate node disposed between a pair of nodes on the anterior medial portion of the upper body base outer surface and a pair of daises correspondingly disposed on the left and right posterior portions of the upper body base outer surface, and a node disposed on each of an anterior medial portion, a left posterior portion, and a right posterior portion of a lower body.

Figure 21 is a front elevation view of a particular embodiment of an upper body including an elongate node disposed between a pair of nodes on the anterior medial portion of the upper body base outer surface and a pair of daises disposed on the upper body base outer surface to correspondingly receive the nodes correspondingly disposed on the left posterior portion and the right posterior portion of the lower body base outer surface.

Figure 22 is a back elevation view of a particular embodiment of an upper body including an elongate node disposed between a pair of nodes on the anterior medial portion of the upper body base outer surface and a pair of daises disposed on the upper body base outer surface to correspondingly contact the nodes correspondingly disposed on the left posterior portion and the right posterior portion of the lower body base outer surface .

Figure 23 is a side elevation view of a particular embodiment of an upper body including an elongate node disposed between a pair of nodes on the anterior medial portion of the upper body base outer surface and a pair of daises disposed on the upper body base outer surface to correspondingly contact the nodes correspondingly disposed on the left posterior portion and the right posterior portion of the lower body base outer surface.

Figure 24 is a bottom plan view of a particular embodiment of an upper body including an elongate node disposed between a pair of nodes on the anterior medial portion of the upper body base outer surface and a pair of daises disposed on the upper body base outer surface to correspondingly contact the nodes correspondingly disposed on the left posterior portion and the right posterior portion of the lower body base outer surface.

Figure 25 is a block flow diagram of methods to make embodiments of an oral appliance.

IV. MODE(S) FOR CARRYING OUT THE INVENTION

Generally, referring to Figures 1 through 25, embodiments of an oral appliance (1) can include one or both of an upper body (2) having an arcuate upper body base (3) joining a maxillary labial wall (4) and a maxillary lingual wall (5) in spaced apart relation defining an upper body channel (6) and a lower body (7) having an arcuate lower body base (8) joining a mandibular labial wall (9) and a mandibular lingual wall (10) in spaced apart relation defining a lower body channel (11) with at least one node (12) disposed on a lower body base outer surface (13).

Again referring generally to Figures 1 through 25, embodiments of particular methods of making the oral appliance (1) can include joining a maxillary labial wall (4) and a maxillary

lingual wall (5) to an upper body base (3) in spaced apart relation defining an upper body channel (6) between opposing inner wall surfaces (14)(15), wherein the upper body channel (6) has an upper dentition impression (16) which matingly receives the maxillary teeth (17) of an upper dental arch (18), wherein said arcuate upper body base (3) has a generally flat upper body base outer surface (19). The method further including joining a mandibular labial wall (9) and a mandibular lingual wall (10) to a lower body base (8) in spaced apart relation defining a lower body channel (11) between opposing inner wall surfaces (20)(21), the lower body channel having a lower dentition impression (22) which matingly receives mandibular teeth (23) of a lower dental arch (24). The method further including disposing at least one node (12) on the lower body base outer surface (13), wherein the at least one node (12) disposed on the lower body base outer surface (13) to engage the generally flat upper body base outer surface (19) upon receipt of the maxillary teeth (17) of an upper dental arch (18) in the upper body channel (6) and receipt of the mandibular teeth (23) of the lower dental arch (24) in said lower body channel (11).

Now referring primarily to Figure 25, the method can further include making a negative impression (25) of the dentition (26) (for purposes of this description, the term “dentition” also means “teeth”) of the mandibular teeth (23) of the lower dental arch (24) and the maxillary teeth (17) of the upper dental arch (18) in a dental impression material (27). The negative impression (25) provides a negative imprint of the dentition (26) of the upper dental arch (18), the dentition (26) of the lower dental arch (24), and the surrounding soft tissues (28) in the mouth (29). An example of a dental impression material (27) useful in embodiments of the method can include or consist of polyvinyl siloxane. The method can further include, producing a dental cast (30), or positive reproduction, of the upper dental arch (18), the lower dental arch (24), and the surrounding soft tissues (28) from the negative impression (25) of the respective dentition (26).

As an illustrative example, a method of making particular embodiments of the oral appliance (1) can include disposing a formable, thermoformable, or thermosetting plastic (31), or a combination thereof, on a dental cast (30) of the upper dental arch (18) or the lower dental arch (24), and the corresponding surrounding soft tissues (28). Illustrative examples of thermosetting plastics can include or consist of, any one or more of polystyrene resin, polyurethane resin, epoxy resin, polyester resin, acrylic resin, vinyl ester resin, or silicone resin or related compounds which can be admixed with a curing agent, such as one or more amines or peroxides, to polymerize the resin to provide a hardened oral appliance (1). One or more of heat (H), vacuum (V), or pressure (P) can be applied to the formable, thermoformable, or thermosetting plastic (31) to allow or assist in applying, forming or curing the formable, thermoformable, or thermosetting plastic (31)

to the configuration of the dental cast (30). In particular embodiments, as the formable or thermoformed plastic (31) sets on the dental cast (30), rapid cooling can, but need not necessarily, be achieved by applying a coolant (C) to the oral appliance (1), such as a flow of cool air or water. The formable or thermoformable plastic (31) can be selected from the group consisting of
5 CLEARsplint™, acrylic, Pro-Form®, a thermoplastic, or combinations thereof.

The formable, thermoformable, or thermosetting plastic (31), or combinations thereof, can be disposed or formed about the dental cast (30) to impart the upper dentition impression (16) in the upper body (2) which matingly receives maxillary teeth (17) of an upper dental arch (18) and to impart the lower dentition impression (22) in the lower body (7) which matingly receives
10 mandibular teeth (23) of the lower dental arch (24). In particular embodiments, the method can further include disposing one or more nodes (12) on a lower body base outer surface (13) which engage a generally flat upper body base outer surface (19) upon receipt of the maxillary teeth (17) of an upper dental arch (18) in the upper body channel (6) of the upper body (2) and receipt
15 of the mandibular teeth (23) of a lower dental arch (24) in the lower body channel (11) of the lower body (7), as further described below. In particular embodiments, the method can further include disposing one or more nodes (12) or one or more daises (34) on the upper body base outer surface (19), as further described below.

Again, referring primarily to Figure 25, as a further illustrative example, a method of making particular embodiments of an oral appliance (1) can include three-dimensional scanning
20 or imaging (35) of the dental arch (36) using optical technologies such as: confocal laser microscopy, active wavefront sampling, accordion fringe interferometry, and optical coherent tomography to generate a digital model (37) of a dental arch (36). The method can further include use of an additive build up process, to produce the replica model (38) of a dental arch (36) which can be utilized as, or in substitution or replacement of, the dental cast (30), above described,
25 followed by disposing thermoformable plastic (31) or by applying a layer of polymer on the replica model (38) to form embodiments of the oral appliance (1).

The term “additive build up process” for the purposes of this invention means any process of layering one or more materials to produce a three-dimensional object, and without limiting the breadth of the foregoing, particular embodiments of the additive build up process can, but need
30 not necessarily, include the conventional process referred to as three-dimensional printing (“3D printing”) in which the three-dimensional object can be created from a digital model using a three-dimensional materials deposition apparatus, such as a three-dimensional printer, laying down successive layers of a build material.

The term “three-dimensional object” for the purposes of this invention means any configuration of a three-dimensional object, and without limiting the breadth of the foregoing, includes replica models (38) of a dental arch (36) or embodiments of the oral appliance (1).

Again referring to Figure 25, as a further illustrative example of making embodiments of the oral appliance (1), the digital model (37) obtained by three-dimensional scanning or imaging (35) of the dental arch (36) provides a data representation of the dental arch (36) from which 5
embodiments of the oral appliance (1) can be directly rendered in tangible form by operation of the three-dimensional materials deposition apparatus (39) or materials printer (40). As to particular embodiments of the invention, a materials deposition apparatus controller (41) can run 10
a three-dimensional object production application (42) which reads the digital model files, accepts parameter and preference input from the user, performs a series of detailed calculations and transmits to the three-dimensional materials deposition apparatus (39) (which as to particular 15
embodiments can be a three dimensional printer such as a Form 2350[®] available from Formlabs, Inc., or a three-dimensional printer assembly as described in United States Patent No. 7,037,382, hereby incorporated by reference herein, or similar apparatus) commands and provides 20
information needed to directly produce embodiments of the oral appliance (1).

In particular, the three-dimensional object production application (42) may allow the user to arrange one or more digital models (37) in a virtual volume representing the actual fabrication space within the three-dimensional materials deposition apparatus (39). The three-dimensional 20
object production application (42) can then slice the array of digital models (37) into a plurality of layers, each of a predetermined thickness, which are transmitted to control electronics housed within the three-dimensional materials deposition apparatus (39).

Particular embodiments of the three-dimensional materials deposition apparatus (39) can, but need not necessarily, comprise a three-dimensional printer (43) having an array of jet type 25
print heads which deposit a binder liquid (BL) onto successive layers of a build material. Where the binder liquid (BL) combines with the build material, the powder reacts and hardens. By controlling the placement of binder liquid (BL) from these print heads, the configuration of the replica model (38) or oral appliance (1) can be physically reproduced by an additive build up process. Further details of binding a build material with a binder liquid to form a replica model 30
(38) or oral appliance (1) are disclosed in United States Patents Nos. 5,340,656 and 5,387,380, hereby incorporated by reference herein.

In particular embodiments, the build material (BM) can comprise methacrylic acid esters,

or a combination of methacrylic acid esters and phosphine oxides as a photoinitiator which when exposed to ultraviolet light initiates hardening of the methacrylic acid esters (for example, Dental SG Resin liquid available from Formlabs, Inc.). A three-dimensional object of the present invention, including embodiments of the replica model (38) of the dental arch (36), or
5 embodiments of the oral appliance (1) may be built using these build materials deposited in successive layers using a three-dimensional printing system similar to various embodiments of United States Patents Nos. 6,658,314, 7,604,768 or 7,500,846, each hereby incorporated by reference herein.

In particular embodiments, the build material can comprise a plastic filament. The plastic
10 filament can, for example, comprise acrylonitrile butadiene styrene (ABS) or polylactic acid (PLA) provided as strands of filament of about one millimeter to about three millimeters in diameter that unwind from a coil or spool. The three-dimensional materials deposition apparatus (39) can comprise a fused deposition modeling (FDM) or, more generally, fused filament fabrication (FFF) printer. The plastic filament can be supplied to a print head with an extrusion
15 nozzle, such as a gear which pulls the plastic filament off the spool and into the extrusion nozzle. The extrusion nozzle can be adapted to regulate flow between on and off. The extrusion nozzle (or an upstream portion of the print head) is heated to melt the plastic filament as it is passed into, or through, the extrusion nozzle so that it liquefies. The pointed extrusion nozzle deposits the liquefied material in lines (for example, in lines that are about 0.1 millimeters across).

As to particular embodiments, the build material(s) used in the additive build up process
20 of embodiments of the replica model (38) or oral appliance (1), when cured, can, but need not necessarily, have Shore A or Shore D hardness which falls in a wide range of hardnesses. The Shore A hardness can, as an example, be between about 40 to about 100 or a Shore D harness of between about 0 and about 90. However, the above illustrative Shore A or Shore D hardness or
25 the resulting tensile strength is not intended to preclude embodiments which fall outside of these ranges.

Now referring primarily to Figures 1 through 9, a particular embodiment of the oral
appliance (1) can include an upper body (2) and a lower body (7) having at least one node (12)
disposed on the lower body (7). Embodiments of the upper body (2) can include an arcuate upper
30 body base (3) having an upper body base outer surface (19) opposite an upper body base inner surface (44), the upper body base (3) extending to a maxillary labial wall (4) and a maxillary lingual wall (5). The maxillary labial wall (4) can have a maxillary labial wall inner surface (45) opposite a maxillary labial wall outer surface (46). The maxillary lingual wall (5) can have a

maxillary lingual wall inner surface (47) opposite a maxillary lingual wall outer surface (48). The upper body base inner surface (44), maxillary labial wall inner surface (45), and maxillary lingual wall inner surface (47) can define an upper body channel (6). The upper body channel (6) can include the negative impression (25) of the maxillary dentition (26) of the upper dental arch (18). The upper body channel (6) can matingly receive the maxillary dentition (26) of the upper dental arch (18). The upper body base outer surface (19) can have a generally flat upper body base outer surface (19).

The upper body channel (6) or either or both of the maxillary lingual wall (5) and the maxillary labial wall (4) can be configured to engage the entirety or a portion of the maxillary dentition (26) of the upper dental arch (18) and the surrounding soft tissues (28).

For purposes of this invention, the term “lingual” refers to a surface abutting or adjacent to (or direction towards) the tongue (49).

For purposes of this invention, the term “labial” refers to a surface opposite the lingual surface adjacent to (or the direction towards) the inside of the cheek (50) or lip (51).

Embodiments of the lower body (7) can include an arcuate lower body base (8). The lower body base (8) can include a lower body base outer surface (13) opposite a lower body base inner surface (52), the lower body base extending to a mandibular labial wall (9) and a mandibular lingual wall (10). The mandibular labial wall (9) can have a mandibular labial wall inner surface (53) opposite a mandibular labial wall outer surface (54). The mandibular lingual wall (10) can have a mandibular lingual wall inner surface (55) opposite a mandibular lingual wall outer surface (56). The lower body base inner surface (52), mandibular labial wall inner surface (53), and mandibular lingual wall inner surface (55) can define a lower body channel (11). The lower body channel (11) can include the negative impression (25) of the mandibular dentition (26) of the lower dental arch (24). The lower body channel (11) can matingly receive the mandibular dentition (26) of the lower dental arch (24). The lower body channel (11) or either or both of the mandibular lingual wall (10) and the mandibular labial wall (9) can be configured to engage the entirety or a portion of the mandibular dentition (26) of the lower dental arch (24) and the surrounding soft tissues (28).

Again, referring to Figures 1 through 9, embodiments of the lower body (7) can include at least one node (12) disposed on the lower body base outer surface (13).

For the purposes of this invention the term “node” means a protuberance outwardly extending from an upper or lower body base outer surface (19)(13) disposed to engage the opposing upper or lower body base outer surface (19)(13) upon receipt of the maxillary teeth (17) of an upper dental arch (18) in the upper body channel (6) and receipt of the mandibular teeth (23) of a lower dental arch (24) in the lower body channel (11).

Now referring primarily to Figures 2 through 5, in particular embodiments, the at least one node (12) can engage the generally flat upper body base outer surface (19) of the upper body (2) upon receipt of the maxillary dentition (17) of the upper dental arch (18) in the upper body channel (6) and the receipt of the mandibular dentition (26) of the lower dental arch (24) in the lower body channel (11). In particular embodiments, the at least one node (12) can have an arcuate node surface (57) which tangentially engages the generally flat upper body base outer surface (19), while the remainder of the arcuate node surface (57) can be disengaged from the generally flat upper body base outer surface (19).

Accordingly, the engagement of the arcuate node surface (57) to the generally flat upper body base outer surface (19) disposes the upper body base outer surface (19) in spaced apart relation to the lower body base outer surface (13) affording a gap (58) whereby the remainder of the lower body base outer surface (13) and the upper body base outer surface (19) not corresponding to the node (12) do not engage. The width (59) of the gap (58) can be altered by increasing or decreasing the node height (60) of the node (12).

Now, referring primarily to Figures 2 through 5, the at least one node (12) can be only one node (12) disposed on the lower body base outer surface (13) at one location, which, depending on the embodiment, can be on the anterior medial portion (61), the left posterior portion (62), or the right posterior portion (63) of the lower body base outer surface (13). In particular embodiments, the only one node (12) can be disposed on the lower body base outer surface (13) over the lower dentition impression (22) of a right second molar (64) of the mandibular teeth (23), or over the lower dentition impression (22) of a left second molar (65) of the mandibular teeth (23), or the lower dentition impression (22) of a left or right central incisor (66)(67) of the mandibular teeth (23).

Now, with reference primarily to Figure 5, the at least one node (12) can comprise a plurality of nodes (68). The plurality of nodes (68) can be disposed on the lower body base outer surface (13) at a corresponding plurality of locations on the anterior medial portion (61), the left posterior portion (62), or the right posterior portion (63) of the lower body base outer surface

(13), or a combination thereof. The plurality of nodes (68) can have substantially similar or substantially different three-dimensional geometrical shapes. In particular embodiments, the plurality of nodes (68) can be a pair of nodes (69A)(69B). One of the pair of nodes (69A)(69B) can be disposed on the left posterior portion (62) of the lower body base outer surface (13) and
5 one of the pair of nodes (69A)(69B) can be disposed on the right posterior portion (63) of the lower body base outer surface (13); however, this is not to exclude the placement of the pair of nodes (69A)(69B) on other portions of the lower body base outer surface (13).

Again, with reference primarily to Figures 2 through 5, in particular embodiments, the plurality of nodes (68) can include three nodes (70A)(70B)(70C). One of the three nodes
10 (70A)(70B)(70C) can be correspondingly disposed on the anterior medial portion (61), the left posterior portion (62), and the right posterior portion (63) of the lower body base outer surface (13). The three nodes (70A)(70B)(70C) can have substantially similar three-dimensional configurations, different three-dimensional geometric configurations, or a combination thereof. In the example of the particular embodiment of Figures 1 through 5, two (70A)(70B) of the three
15 nodes (70A)(70B)(70C) can be substantially similar nodes (71A)(71B). The substantially similar nodes (71A)(71B) can be disposed on the left posterior portion (62) and the right posterior portion (63) of the lower body base outer surface (13). The third node (70C) can be disposed on the anterior medial portion (61). The third node (70C) can, but need not necessarily, have a greater length (72) than the two substantially similar nodes (71A)(71B). Each of the three nodes
20 (70A)(70B)(70C) can have a substantially similar node height (60). Upon receipt of the maxillary dentition (26) of the upper dental arch (18) in the upper body channel (6) and the receipt of the mandibular dentition (26) of the lower dental arch (24) in the lower body channel (11), each of the three nodes (70A)(70B)(70C) can engage the generally flat upper body base outer surface (19) as shown in the example of Figures 6 through 9.

25 In other particular embodiments, the plurality of nodes can consist of four nodes. Two of the four nodes (12) can be correspondingly disposed on the anterior medial portion (61), one node on the left posterior portion (62), and one node on the right posterior portion (63) of the lower body base outer surface (13). The two nodes (12) disposed on the anterior medial portion (61) can, but need not necessarily, be substantially similar nodes (12). The two nodes can be
30 respectively disposed over the dentition impression (22) of the left canine and the right canine, the left and right central incisors, or the left and right lateral incisors, or combinations thereof. The four nodes can have substantially similar three-dimensional configurations, different three-dimensional geometric configurations, or a combination thereof. Upon receipt of the maxillary

dentition (26) of the upper dental arch (18) in the upper body channel (6) and the receipt of the mandibular dentition (26) of the lower dental arch (24) in the lower body channel (11), each of the four nodes can engage the generally flat upper body base outer surface (19) as shown in the example of Figures 6 through 9.

5 Now referring primarily to Figure 10 through 14, in particular embodiments, the lower body (7) can include one or more nodes (12) as above described, and the upper body (2) can further include one or a plurality of nodes (68) disposed on the upper body base outer surface (19).

10 The one or plurality of nodes (68) disposed on the upper body base outer surface (19) can be any geometrical shape which allows the nodes (12) disposed on the lower body (7) to engage the upper body base outer surface (19) upon receipt of the maxillary dentition (26) of the upper dental arch (18) in the upper body channel (6) and the receipt of the mandibular dentition (26) of the lower dental arch (24) in the lower body channel (11).

15 In particular embodiments, an arcuate node surface (57) can tangentially engage the lower body base outer surface (13), disposing the upper body base outer surface (19) in spaced apart relation to the lower body base outer surface (13) affording a gap (58) whereby the remainder of the lower body base outer surface (13) and the upper body base outer surface (19) not corresponding to the node (12) do not engage. The width (59) of the gap (58) can be altered by increasing or decreasing the node height (60) of the node (12). The node (12) can be disposed
20 on the upper body base outer surface (19) in one or more locations, including the anterior medial portion (61), the left posterior portion (62), or the right posterior portion (63) of the upper body base outer surface (19), or a combination thereof.

Now, referring primarily to Figures 11 through 14, in particular embodiments, only an elongate node (73) may be disposed on the anterior medial portion (61) of the upper body base
25 outer surface (19). The elongate node (73) can have a length (72) disposed between an elongate node first end (74) and an elongate node second end (75). In other embodiments, only a pair of nodes (76A)(76B) may be disposed on the anterior medial portion (61) of the upper body base outer surface (19). In other particular embodiments, the elongate node first and second ends (74)(75) can, but need not necessarily, correspondingly connect to the pair of nodes (76A)(76B).
30 The pair of nodes (76A)(76B) disposed on the upper body base outer surface (19) can engage the lower body base outer surface (13) with one of the pair of nodes (76A)(76B) disposed adjacent each end of the elongate node (73) occurring on the anterior medial portion of the upper body

base outer surface (13) upon receipt of the maxillary dentition (26) of the upper dental arch (18) in the upper body channel (6) and the receipt of the mandibular dentition (26) of the lower dental arch (24) in the lower body channel (11). In those embodiments including an elongate node (73) disposed on the upper body base outer surface (19), the elongate node (74) can engage the lower
5 body base outer surface (13) anterior to a node (12) disposed on a lower anterior medial portion (61) of the lower body base outer surface (13).

As exemplified in Figure 10, the oral appliance (1) can include a lower body (7) having nodes (12) disposed on one or more of the left posterior portion (62), the right posterior portion (63), or the anterior medial portion (61) of the lower body base outer surface (13), and an upper
10 body (2) having an elongate node (73) having elongate node first and second ends (74)(75) correspondingly connected to a pair of nodes (76A)(76B) disposed on the upper body base outer surface (19). The respective node heights (60) of the nodes (12) disposed on the lower body base outer surface (13) can be substantially similar to the node heights (60) of the nodes (12) disposed on the upper body base outer surface (19), thereby permitting the nodes (12) disposed on the
15 upper body base outer surface (19) to engage the lower body base outer surface (13) and the nodes (12) disposed on the lower body base outer surface (13) to engage the upper body base outer surface (19) upon receipt of the maxillary dentition (26) of the upper dental arch (18) in the upper body channel (6) and the receipt of the mandibular dentition (26) of the lower dental arch (24) in the lower body channel (11).

Now referring primarily to Figures 15 through 19, in particular embodiments, the lower
20 body (7) can include one or more nodes (12), as above described, and the upper body (outer surface (19) can be generally flat as above described, and can further include a recessed area of the left and right posterior portions (62)(63) surrounding a pair of daises (34A)(34B) each having a generally flat outer surface area (77) generally coplanar to the upper body base outer surface
25 (19). The pair of daises (34A)(34B) can each extend to dais perimeter (78) which define a the corresponding dais flat outer surface area (77) which engages all or a part of the corresponding one of the pair of nodes (12) disposed on the left posterior portion (62) and the right posterior portion (63) of the lower body base outer surface (13). In particular embodiments, the pair of daises (34A)(34B) (34A)(34B) can matingly engage the pair of nodes (69A)(69B), in whole or
30 in part, upon receipt of the maxillary dentition (26) of an upper dental arch (18) in the upper body channel (6) and receipt of the mandibular dentition (26) of a lower dental arch (24) in the lower body channel (11).

Now, referring primarily to Figures 20 through 24, in particular embodiments, the lower body (7) can include one or more nodes (12), as above described, and the upper body (2) can further include the pair of nodes (76A)(76B) interconnected by the elongate node (73) and the pair of daises (34A)(34B) disposed on the left posterior portion (62) and the right posterior
5 portion (63) of the upper body base outer surface (19), as above described. The upper body (2) and the lower body (7) upon receipt of the maxillary dentition (26) of an upper dental arch (18) in the upper body channel (6) and receipt of the mandibular dentition (26) of a lower dental arch (24) in the lower body channel (11) can correspondingly engage the nodes (12) disposed on the lower body base outer surface (13) with the upper body base outer surface (19) and the pair of
10 daises (034A)(34B) and engage the nodes (12) disposed on the upper body base outer surface (19) with the lower body base outer surface (13), as above described.

As can be easily understood from the foregoing, the basic concepts of the present invention may be embodied in a variety of ways. The invention involves numerous and varied embodiments of an oral appliance and methods for making and using such an oral appliance
15 including the best mode.

As such, the particular embodiments or elements of the invention disclosed by the description or shown in the figures or tables accompanying this application are not intended to be limiting, but rather exemplary of the numerous and varied embodiments generically encompassed by the invention or equivalents encompassed with respect to any particular element
20 thereof. In addition, the specific description of a single embodiment or element of the invention may not explicitly describe all embodiments or elements possible; many alternatives are implicitly disclosed by the description and figures.

It should be understood that each element of an apparatus or each step of a method may be described by an apparatus term or method term. Such terms can be substituted where desired
25 to make explicit the implicitly broad coverage to which this invention is entitled. As but one example, it should be understood that all steps of a method may be disclosed as an action, a means for taking that action, or as an element which causes that action. Similarly, each element of an apparatus may be disclosed as the physical element or the action which that physical element facilitates. As but one example, the disclosure of an “impression” should be understood to
30 encompass disclosure of the act of “impressing” -- whether explicitly discussed or not -- and, conversely, were there effectively disclosure of the act of “impressing”, such a disclosure should be understood to encompass disclosure of an “impression” or even a “means for impressing.”

Such alternative terms for each element or step are to be understood to be explicitly included in the description.

In addition, as to each term used, it should be understood that unless its utilization in this application is inconsistent with such interpretation, common dictionary definitions should be understood to be included in the description for each term as contained in the Random House Webster's Unabridged Dictionary, second edition, each definition hereby incorporated by reference.

All numeric values herein are assumed to be modified by the term "about", whether or not explicitly indicated. For the purposes of the present invention, ranges may be expressed from "about" one particular value to "about" another particular value. When such a range is expressed, another embodiment includes from the one particular value to the other particular value. The recitation of numerical ranges by endpoints includes all the numeric values subsumed within that range. A numerical range of one to five includes for example the numeric values 1, 1.5, 2, 2.75, 3, 3.80, 4, 5, and so forth. It will be further understood that the endpoints of each of the ranges are significant both in relation to the other endpoint, and independently of the other endpoint. When a value is expressed as an approximation by use of the antecedent "about," it will be understood that the particular value forms another embodiment. The term "about" generally refers to a range of numeric values that one of skill in the art would consider equivalent to the recited numeric value or having the same function or result. Similarly, the antecedent "substantially" means largely, but not wholly, the same form, manner or degree and the particular element will have a range of configurations as a person of ordinary skill in the art would consider as having the same function or result. When a particular element is expressed as an approximation by use of the antecedent "substantially," it will be understood that the particular element forms another embodiment.

Moreover, for the purposes of the present invention, the term "a" or "an" entity refers to one or more of that entity unless otherwise limited. As such, the terms "a" or "an", "one or more" and "at least one" can be used interchangeably herein.

Thus, the applicant(s) should be understood to claim at least: i) each of the oral appliances herein disclosed and described, ii) the related methods disclosed and described, iii) similar, equivalent, and even implicit variations of each of these devices and methods, iv) those alternative embodiments which accomplish each of the functions shown, disclosed, or described, v) those alternative designs and methods which accomplish each of the functions shown as are implicit to

accomplish that which is disclosed and described, vi) each feature, component, and step shown as separate and independent inventions, vii) the applications enhanced by the various systems or components disclosed, viii) the resulting products produced by such systems or components, ix) methods and apparatuses substantially as described hereinbefore and with reference to any of the accompanying examples, x) the various combinations and permutations of each of the previous elements disclosed.

The background section of this patent application provides a statement of the field of endeavor to which the invention pertains. This section may also incorporate or contain paraphrasing of certain United States patents, patent applications, publications, or subject matter of the claimed invention useful in relating information, problems, or concerns about the state of technology to which the invention is drawn toward. It is not intended that any United States patent, patent application, publication, statement or other information cited or incorporated herein be interpreted, construed or deemed to be admitted as prior art with respect to the invention.

The claims set forth in this specification, if any, are hereby incorporated by reference as part of this description of the invention, and the applicant expressly reserves the right to use all of or a portion of such incorporated content of such claims as additional description to support any of or all of the claims or any element or component thereof, and the applicant further expressly reserves the right to move any portion of or all of the incorporated content of such claims or any element or component thereof from the description into the claims or vice-versa as necessary to define the matter for which protection is sought by this application or by any subsequent application or continuation, division, or continuation-in-part application thereof, or to obtain any benefit of, reduction in fees pursuant to, or to comply with the patent laws, rules, or regulations of any country or treaty, and such content incorporated by reference shall survive during the entire pendency of this application including any subsequent continuation, division, or continuation-in-part application thereof or any reissue or extension thereon.

Additionally, the claims set forth in this specification, if any, are further intended to describe the metes and bounds of a limited number of the preferred embodiments of the invention and are not to be construed as the broadest embodiment of the invention or a complete listing of embodiments of the invention that may be claimed. The applicant does not waive any right to develop further claims based upon the description set forth above as a part of any continuation, division, or continuation-in-part, or similar application.

V. CLAIMS

I claim:

1. An oral appliance, comprising:

an upper body including an arcuate upper body base joining a maxillary labial wall and a
5 maxillary lingual wall in spaced apart relation defining an upper body channel between opposing
inner wall surfaces, said upper body channel having an upper dentition impression which
matingly receives maxillary teeth of an upper dental arch, said arcuate upper body base having a
generally flat upper body base outer surface;

a lower body including an arcuate lower body base joining a mandibular labial wall and
10 a mandibular lingual wall in spaced apart relation defining a lower body channel between
opposing inner wall surfaces, said lower body channel having a lower dentition impression which
matingly receives mandibular teeth of a lower dental arch; and

at least one node disposed on a lower body base outer surface, said at least one node
disposed to engage said generally flat upper body outer surface upon receipt of said maxillary
15 teeth of an upper dental arch in said upper body channel and receipt of said mandibular teeth of
a lower dental arch in said lower body channel.

2. The oral appliance of claim 1, wherein said at least one node disposed on said lower body
base outer surface occurs on one or more of an anterior medial portion of said lower body base
outer surface, a left posterior portion of said lower body base outer surface, a right posterior
20 portion of said lower body base outer surface.

3. The oral appliance of claim 1, wherein said at least one node disposed on said lower body
base outer surface occurs on an anterior medial portion of said lower body base outer surface.

4. The oral appliance of claim 1, wherein said at least one node disposed on said lower body
base outer surface occurs on one of a left posterior portion of said lower body base outer surface
25 or a right posterior portion of said lower body base outer surface.

5. The oral appliance of claim 1, wherein said at least one node disposed on said lower body
base outer surface comprises a pair of nodes, one occurring on a left posterior portion of said
lower body base outer surface and one occurring on a right posterior portion of said lower body
base outer surface.

6. The oral appliance of claim 1, wherein said at least one node disposed on said lower body base outer surface comprises a plurality of nodes one of said plurality of nodes disposed on said left posterior portion of said lower body base outer surface and one occurring on a right posterior portion of said lower body base outer surface and one of said plurality of nodes occurring on an anterior medial portion of said lower body base outer surface.
7. The oral appliance of claim 5, wherein said at least one node disposed on said lower body base outer surface comprises three nodes, one correspondingly occurring over said lower dentition impression of a right second molar of said mandibular teeth, said lower dentition impression of a left second molar of said mandibular teeth, and said lower dentition impression of a left or right central incisor of said mandibular teeth.
8. The oral appliance of any one of claims 1, 2, 3, 4, 5, or 6, wherein said plurality of nodes have an arcuate external surface.
9. The oral appliance of any one of claims 3 or 6, further comprising a pair of nodes disposed on said anterior medial portion of said upper body base outer surface, wherein upon receipt of said maxillary teeth of an upper dental arch in said upper body channel and receipt of said mandibular teeth of a lower dental arch in said lower body channel said pair of nodes engage said lower body base outer surface with one of said pair of nodes disposed adjacent each end of said node occurring on said anterior medial portion of said lower body base outer surface.
10. The oral appliance of any one of claims 3 or 6, further comprising an elongate node disposed on said anterior medial portion of said upper body base outer surface, wherein upon receipt of said maxillary teeth of an upper dental arch in said upper body channel and receipt of said mandibular teeth of a lower dental arch in said lower body channel said elongate node engages said lower body base outer surface anterior of said node occurring on said anterior medial portion of said lower body base outer surface.
11. The oral appliance of any one of claims 3 or 6, further comprising an elongate node disposed between a pair of nodes on said anterior medial portion of said upper body base outer surface, wherein upon receipt of said maxillary teeth of an upper dental arch in said upper body channel and receipt of said mandibular teeth of a lower dental arch in said lower body channel said elongate node engages said lower body base outer surface anterior of said node occurring on said anterior medial portion of said lower body base outer surface and said pair of nodes engage said lower body base outer surface with one of said pair of nodes disposed adjacent each end of said node occurring on said anterior medial portion of said lower body base outer surface.

12. The oral appliance of claim 11, said elongate node having an elevation less than said pair of nodes.

13. The oral appliance of any one of claims 4, 5, 6, further comprising a pair of daises disposed in left and right posterior portions of said upper body outer surface, said pair of daises
5 configured to correspondingly contact said pair of nodes, one occurring on a left and right posterior portions of said lower body base outer surface upon receipt of said maxillary teeth of an upper dental arch in said upper body channel and receipt of said mandibular teeth of a lower dental arch in said lower body channel.

14. The oral appliance of claim 1, wherein said lower body comprises a material selected
10 from the group consisting of: CLEARsplint™, acrylic, Pro-Form®, a thermoplastic, or combination thereof.

15. The oral appliance of claim 11, wherein said upper body comprises a material selected from the group consisting of: CLEARsplint™, acrylic, Pro-Form®, a thermoplastic, or combination thereof.

15 16. The oral appliance of claim 7, wherein said at least one node comprises a material selected from the group consisting of: CLEARsplint™, acrylic, Pro-Form®, a thermoplastic, or combination thereof.

17. A method of making an oral appliance, comprising:

20 joining a maxillary labial wall and a maxillary lingual wall to an upper body base in spaced apart relation defining an upper body channel between opposing inner wall surfaces, said upper body channel having an upper dentition impression which matingly receives maxillary teeth of an upper dental arch, said arcuate upper body base having a generally flat upper body base outer surface;

25 joining a mandibular labial wall and a mandibular lingual wall to a lower body base in spaced apart relation defining a lower body channel between opposing inner wall surfaces, said lower body channel having a lower dentition impression which matingly receives mandibular teeth of a lower dental arch; and

30 disposing at least one node on a lower body base outer surface, said at least one node disposed to engage said generally flat upper body outer surface upon receipt of said maxillary teeth of an upper dental arch in said upper body channel and receipt of said mandibular teeth of a lower dental arch in said lower body channel.

18. The method of claim 17, further comprising disposing said at least one node on said lower body base outer surface on one or more of an anterior medial portion of said lower body base outer surface, a left posterior portion of said lower body base outer surface, a right posterior portion of said lower body base outer surface.
- 5 19. The method of claim 17, further comprising disposing said at least one node on said lower body base outer surface on an anterior medial portion of said lower body base outer surface.
20. The method of claim 17, further comprising disposing said at least one node on said lower body base outer surface on one of a left posterior portion of said lower body base outer surface or a right posterior portion of said lower body base outer surface.
- 10 21. The method of claim 17, said at least one node disposed on said lower body base outer surface comprises a pair of nodes, further comprising disposing one of said nodes on a left posterior portion of said lower body base outer surface and disposing one of said nodes on a right posterior portion of said lower body base outer surface.
22. The method of claim 17, said at least one node disposed on said lower body base outer
15 surface comprises a plurality of nodes, further comprising disposing one of said plurality of nodes on a left posterior portion of said lower body base outer surface and disposing one of said plurality of nodes on an anterior medial portion of said lower body base outer surface.
23. The method of claim 21, said at least one node disposed on said lower body base outer
20 surface comprises three nodes, further comprising disposing one of said three nodes over said lower dentition impression of a right second molar of said mandibular teeth, disposing one of said three nodes over said lower dentition impression of a left second molar of said mandibular teeth, and disposing one of said three nodes over said lower dentition impression of a left of right central incisor of said mandibular teeth.
24. The method of any one of claims 17, 18, 19, 20, 21, or 22, wherein said plurality of nodes
25 have an arcuate external surface.
25. The method of any one of claims 19 or 22, further comprising disposing a pair of nodes on said anterior medial portion of said upper body base outer surface, wherein upon receipt of said maxillary teeth of an upper dental arch in said upper body channel and receipt of said mandibular teeth of a lower dental arch in said lower body channel, said pair of nodes engage

said lower body base outer surface with one of said pair of nodes disposed adjacent each end of said node occurring on said anterior medial portion of said lower body base outer surface.

26. The method of any one of claim 19 or 22, further comprising disposing an elongate node on said anterior medial portion of said upper body base outer surface, wherein upon receipt of said maxillary teeth of an upper dental arch in said upper body channel and receipt of said mandibular teeth of a lower dental arch in said lower body channel, said elongate node engages said lower body base outer surface anterior of said node occurring on said anterior medial portion of said lower body base outer surface.

27. The method of any one of claims 19 or 22, further comprising disposing an elongate node between a pair of nodes on said anterior medial portion of said upper body base outer surface wherein upon receipt of said maxillary teeth of an upper dental arch in said upper body channel and receipt of said mandibular teeth of a lower dental arch in said lower body channel, said elongate node engages said lower body base outer surface anterior of said node occurring on said anterior medial portion of said lower body base outer surface and said pair of nodes engage said lower body base outer surface with one of said pair of nodes disposed adjacent each end of said node occurring on said anterior medial portion of said lower body base outer surface.

28. The method of claim 27, said elongate node having an elevation less than said pair of nodes.

29. The method of any one of claims 20, 21, or 22, further comprising disposing a pair of daises in left and right posterior portions of said upper body outer surface, said pair of daises configured to correspondingly contact said pair of nodes, one occurring on a left and right posterior portions of said lower body base outer surface upon receipt of said maxillary teeth of an upper dental arch in said upper body channel and receipt of said mandibular teeth of a lower dental arch in said lower body channel.

30. The method of claim 17, further comprising forming said lower body from a material selected from the group consisting of: CLEARsplint™, acrylic, Pro-Form®, a thermoplastic, or combination thereof.

31. The method of claim 17, further comprising forming said upper body from a material selected from the group consisting of: CLEARsplint™, acrylic, Pro-Form®, a thermoplastic, or combination thereof.

32. The method of claim 17, further comprising forming said at least one node from a material selected from the group consisting of: CLEARsplint™, acrylic, Pro-Form®, a thermoplastic, or combination thereof.

33. A method of using an oral appliance, comprising:

5 engaging a maxillary dental arch with an upper dentition impression in an upper body channel of an upper body of said oral appliance, said upper body including an arcuate upper body base joining a maxillary labial wall and a maxillary lingual wall in spaced apart relation defining said upper body channel, said arcuate upper body base having a generally flat upper body base outer surface;

10 engaging a mandibular dental arch with a lower dentition impression in a lower body channel of a lower body of said oral appliance, said lower body including an arcuate lower body base joining a mandibular labial wall and a mandibular lingual wall in spaced apart relation defining said lower body channel, said arcuate lower body base having at least one node on a lower body base outer surface.

15 34. The method of claim 33, further comprising engaging said at least one node to said generally flat upper body base outer surface.

35. The method of claim 34, wherein engaging said at least one node to said generally flat upper body base outer surface further comprises engaging said at least one node disposed on said lower body base outer surface over one or more of an anterior medial portion of said lower body base outer surface, a left posterior portion of said lower body base outer surface, a right posterior portion of said lower body base outer surface.

20 36. The method of claim 34, wherein engaging said at least one node to said generally flat upper body base outer surface further comprises engaging a pair of nodes to said generally flat upper body base outer surface, wherein one of said pair of nodes disposed over each of a left posterior portion of said lower body base outer surface and a right posterior portion of said lower body base outer surface.

25 37. The method of claim 34, wherein engaging said at least one node to said generally flat upper body base outer surface further comprises engaging a plurality of nodes to said generally flat upper body base outer surface, wherein one of said plurality of nodes disposed over each of a left posterior portion of said lower body base outer surface, a right posterior portion of said lower body base outer surface, and an anterior medial portion of said lower body base outer surface.

38. The method of claim 36, said arcuate upper body base having an elongate node on said upper body base outer surface, further comprising engaging said elongate node to said lower body base outer surface.

39. The method of any of claims 36, 37, or 38, said upper body base including a pair of daises
5 disposed in left and right posterior portions of said upper body outer surface, said pair of daises configured to correspondingly receive said pair of nodes disposed over each of a left posterior portion of said lower body base outer surface and a right posterior portion of said lower body base outer surface, further comprises engaging each of said pair of nodes to each of said corresponding pair of daises.

FIG. 1

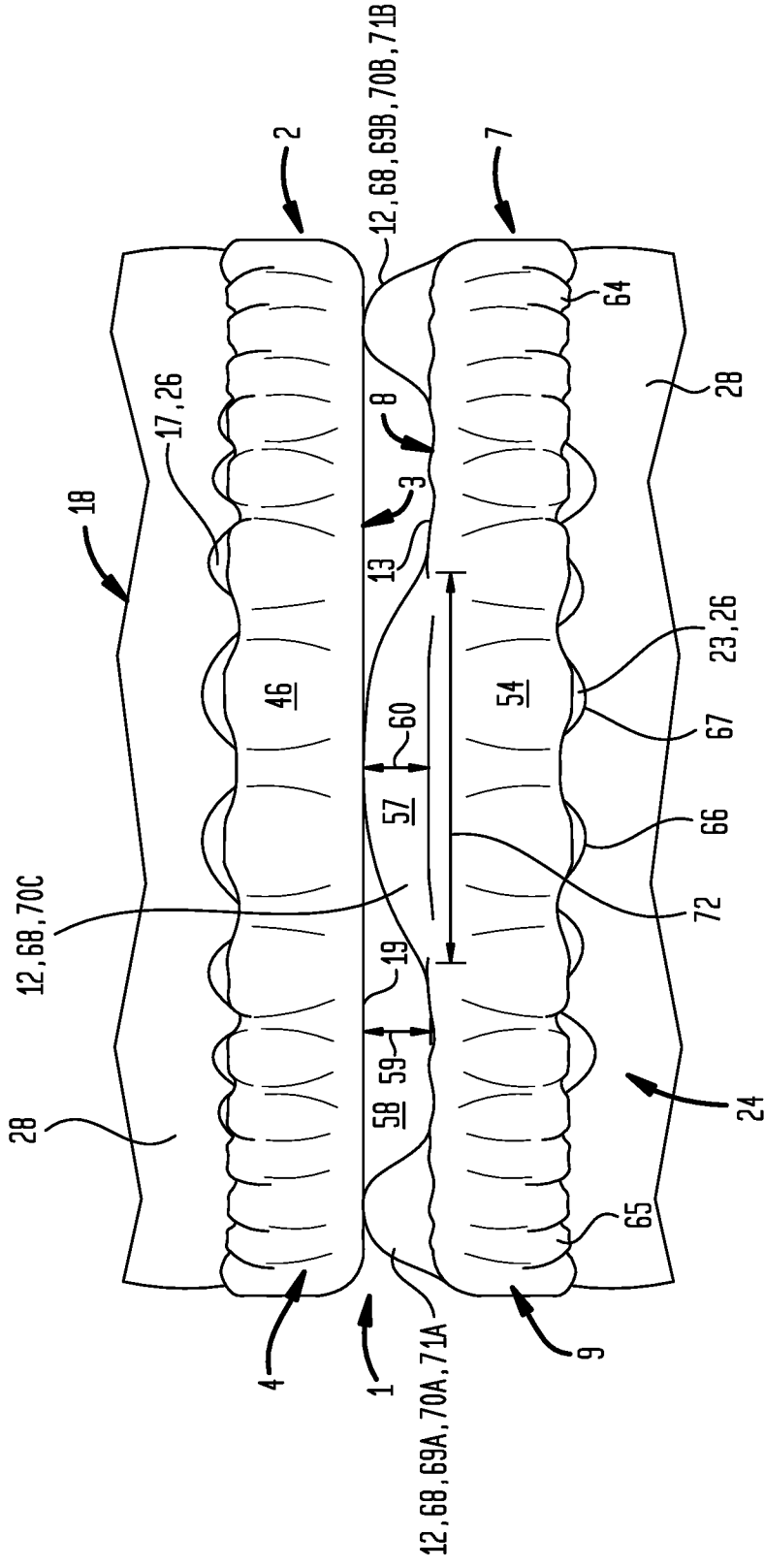


FIG. 2

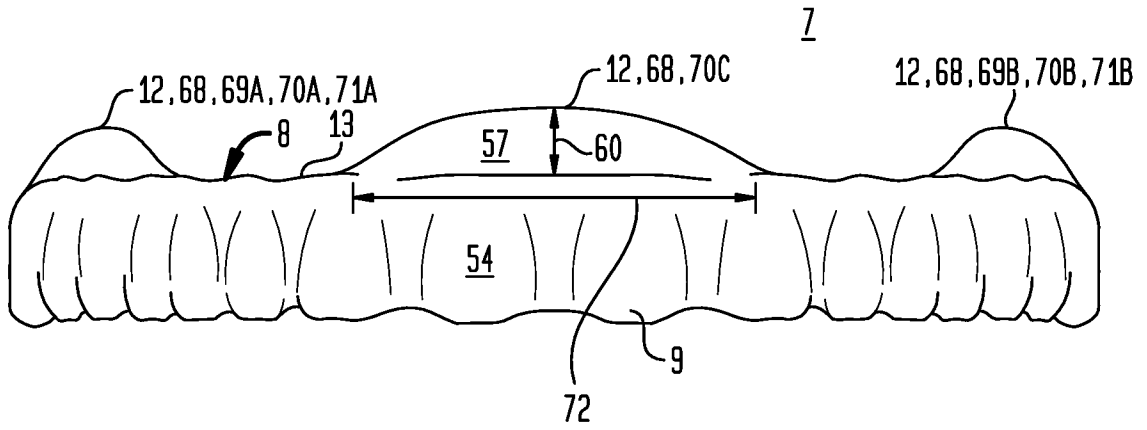


FIG. 3

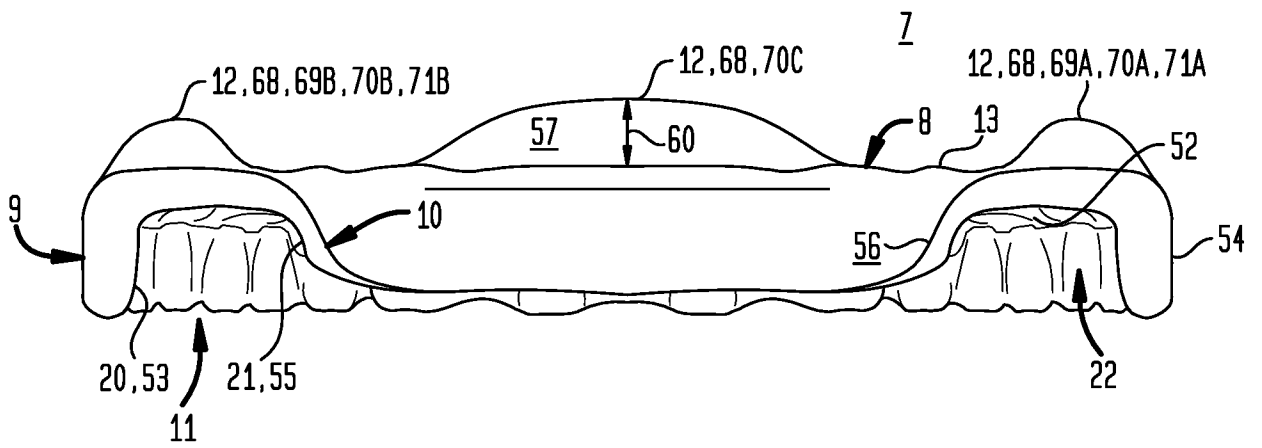


FIG. 4

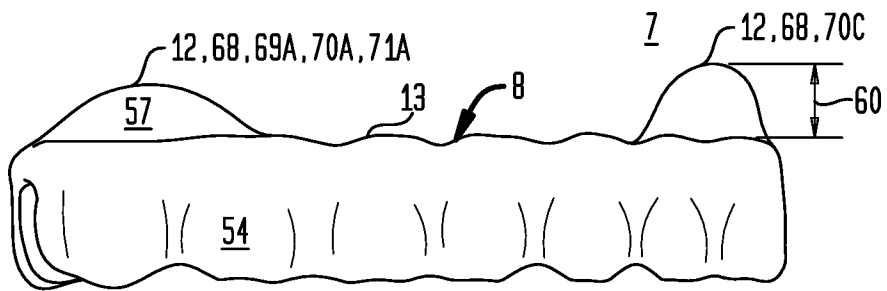


FIG. 5

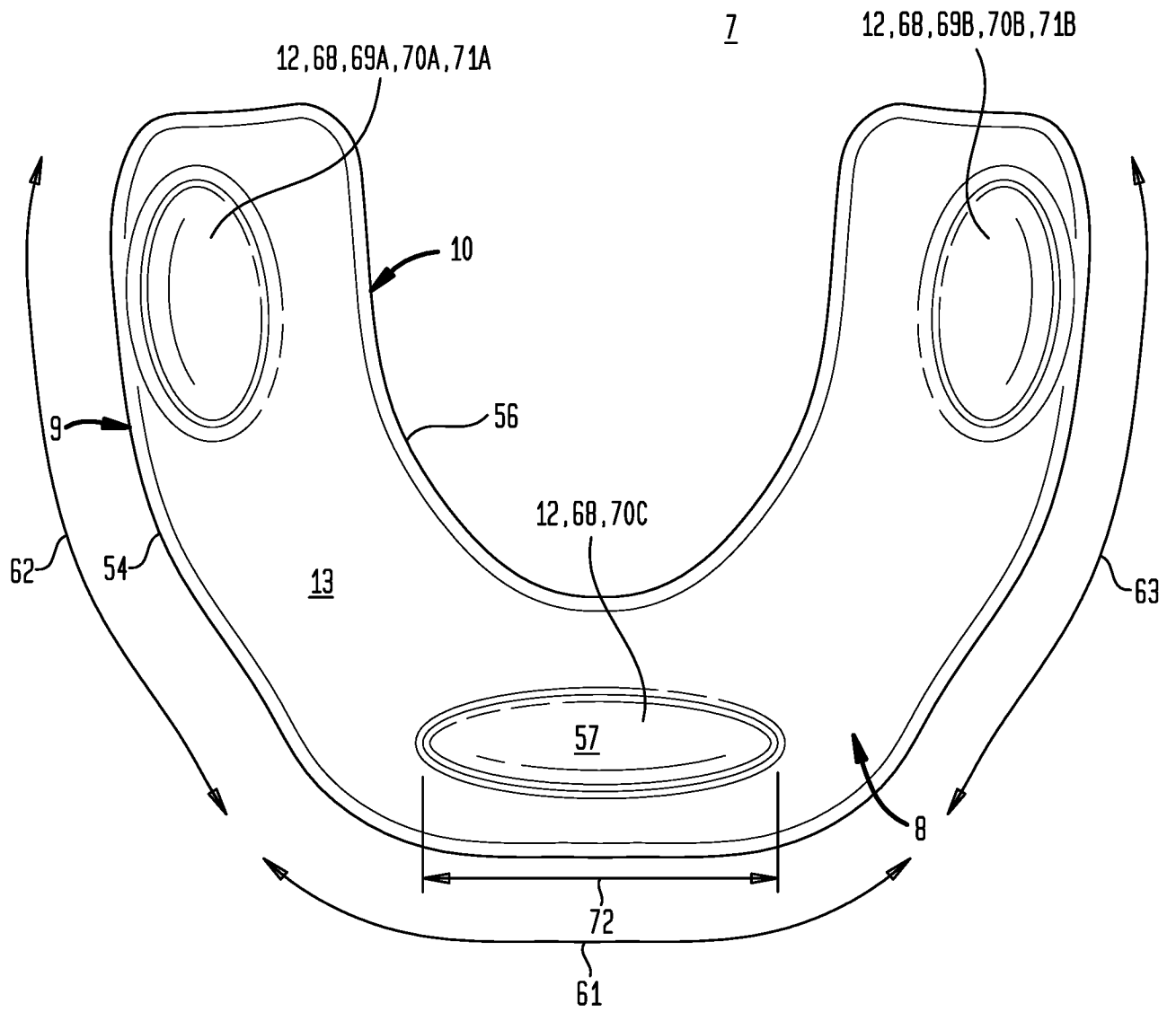


FIG. 6

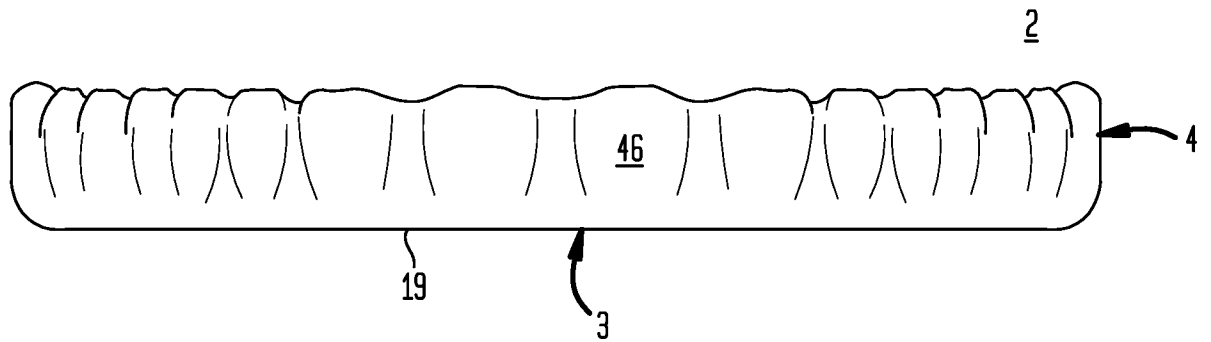


FIG. 7

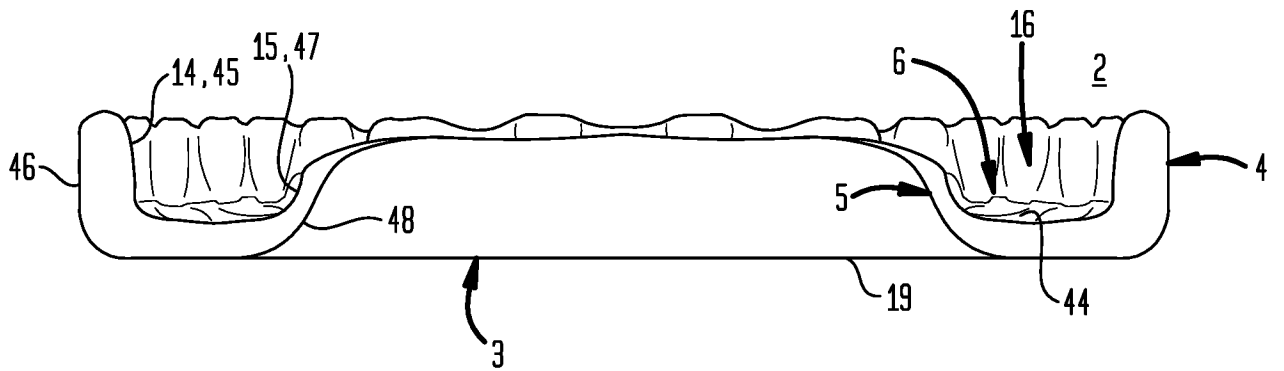


FIG. 8

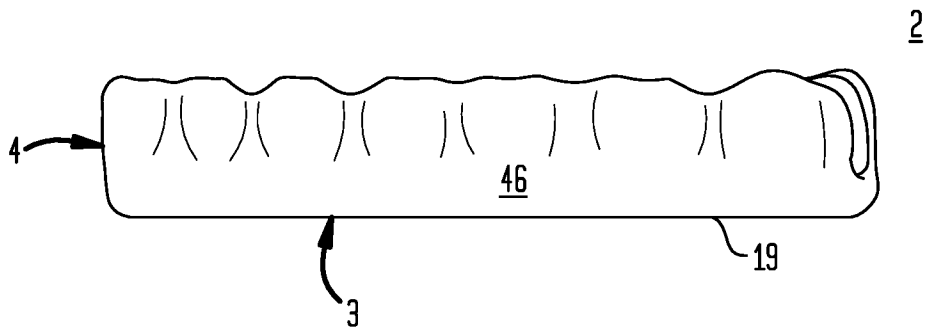


FIG. 9

2

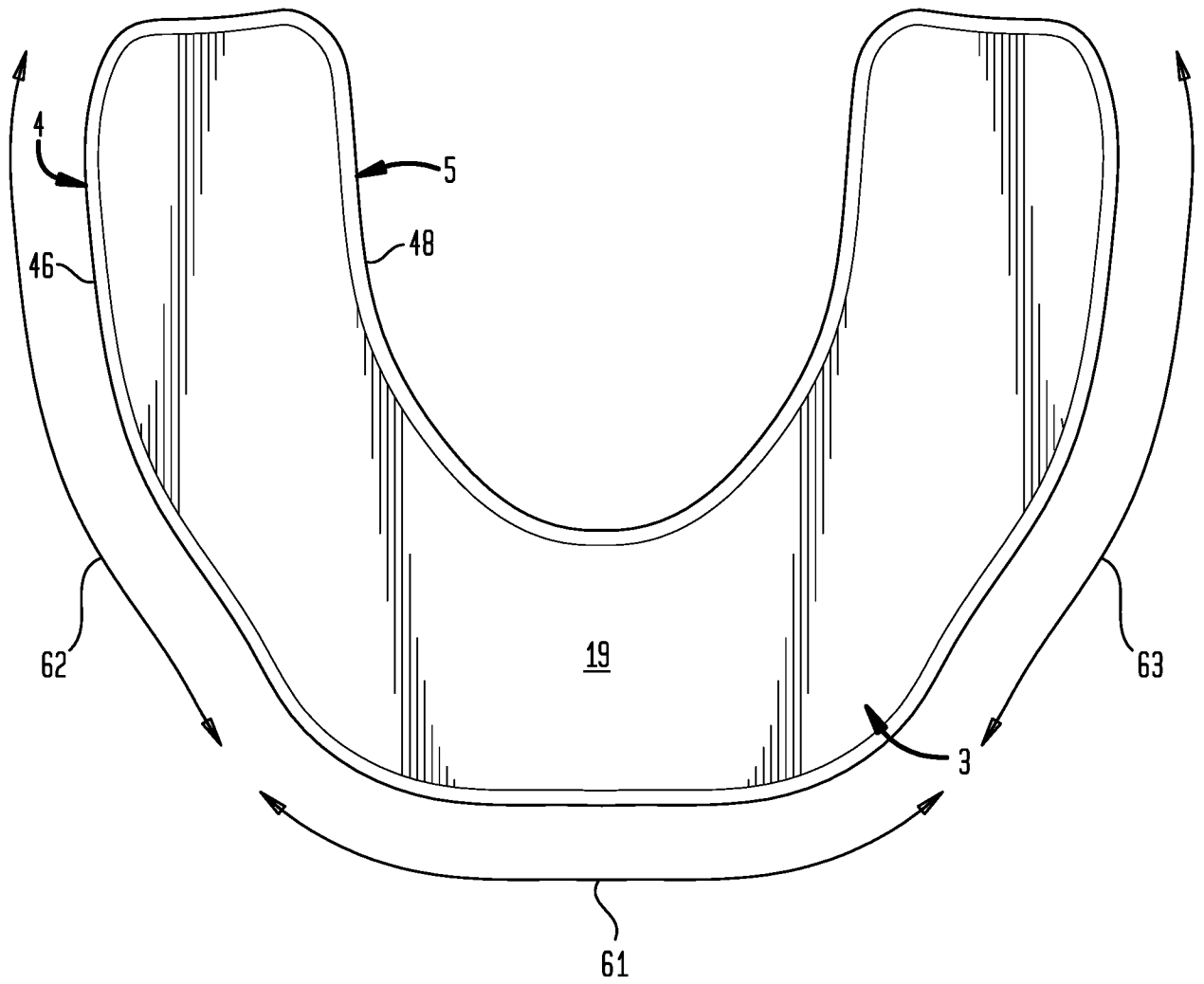
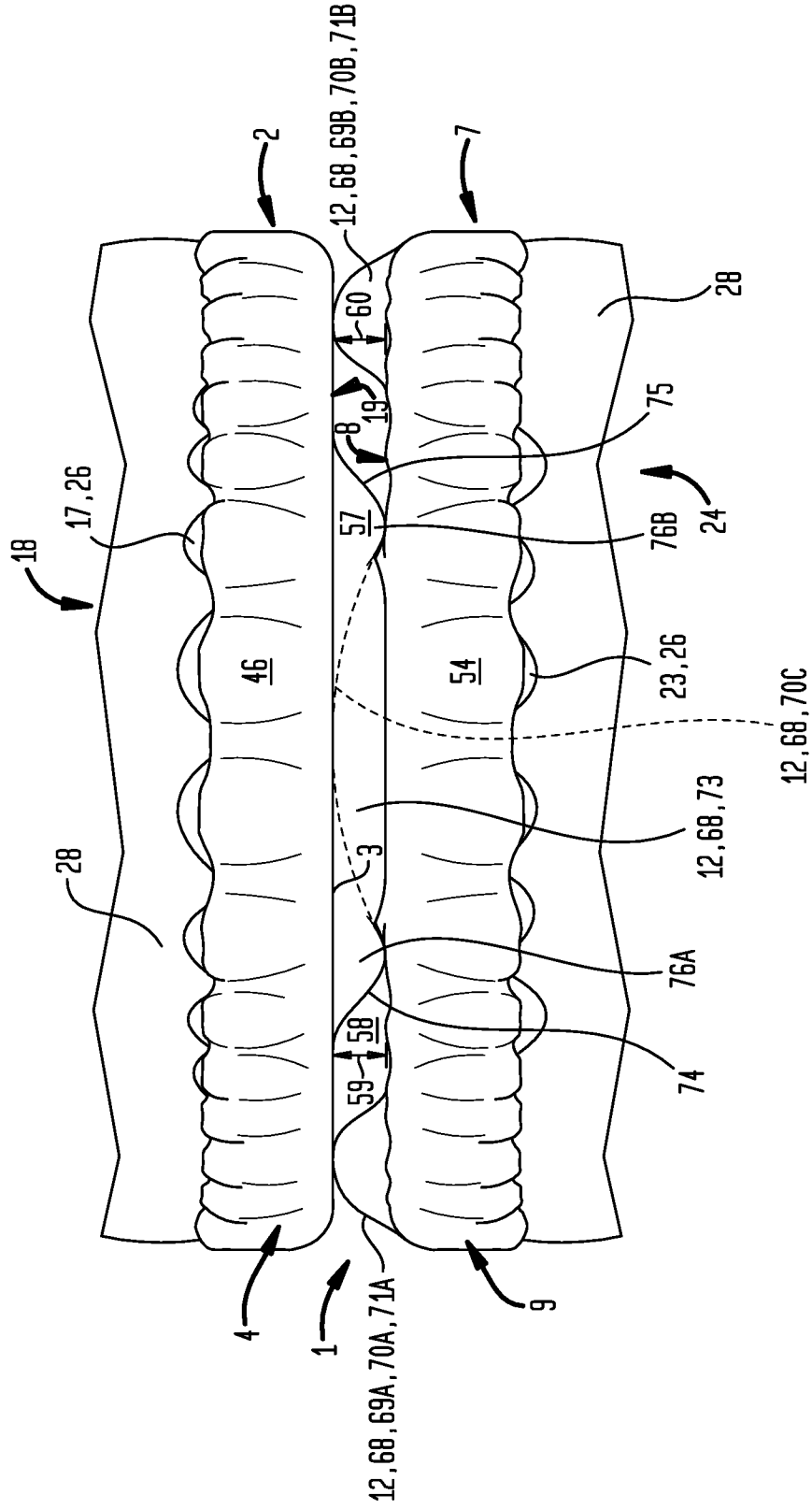


FIG. 10



7/15

FIG. 11

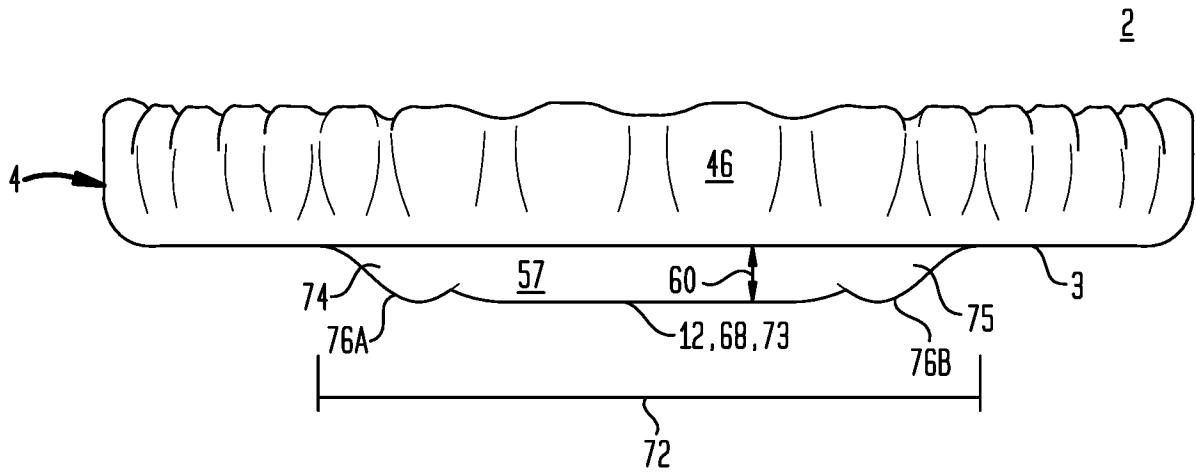


FIG. 12

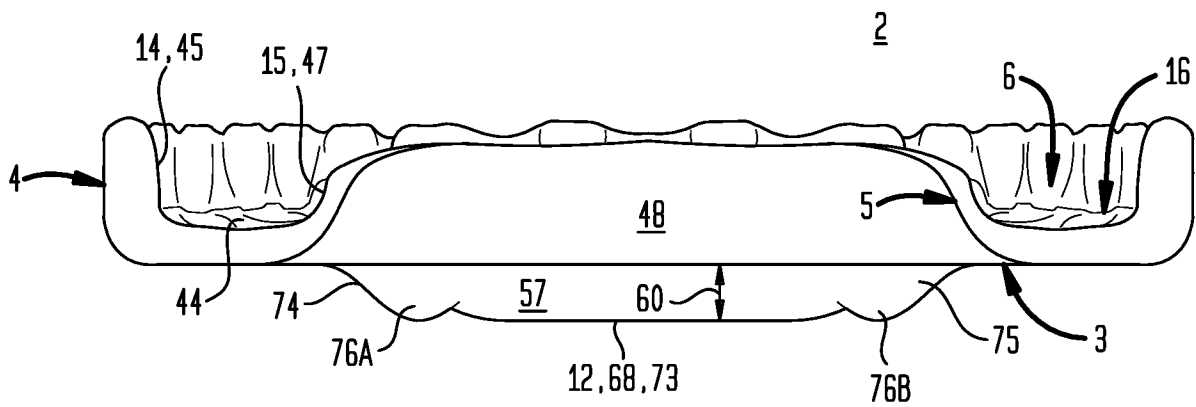


FIG. 13

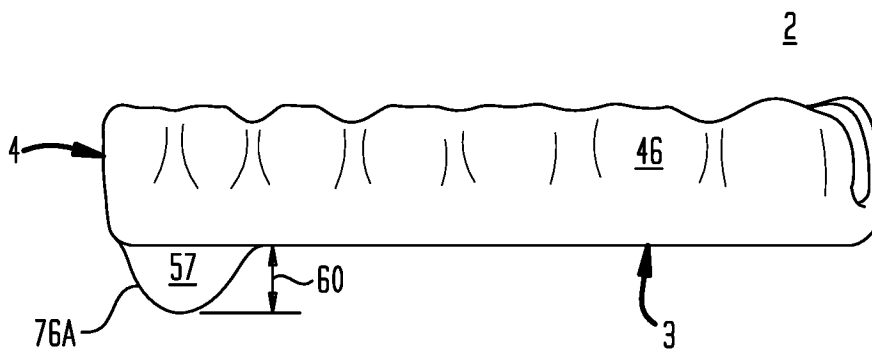


FIG. 14

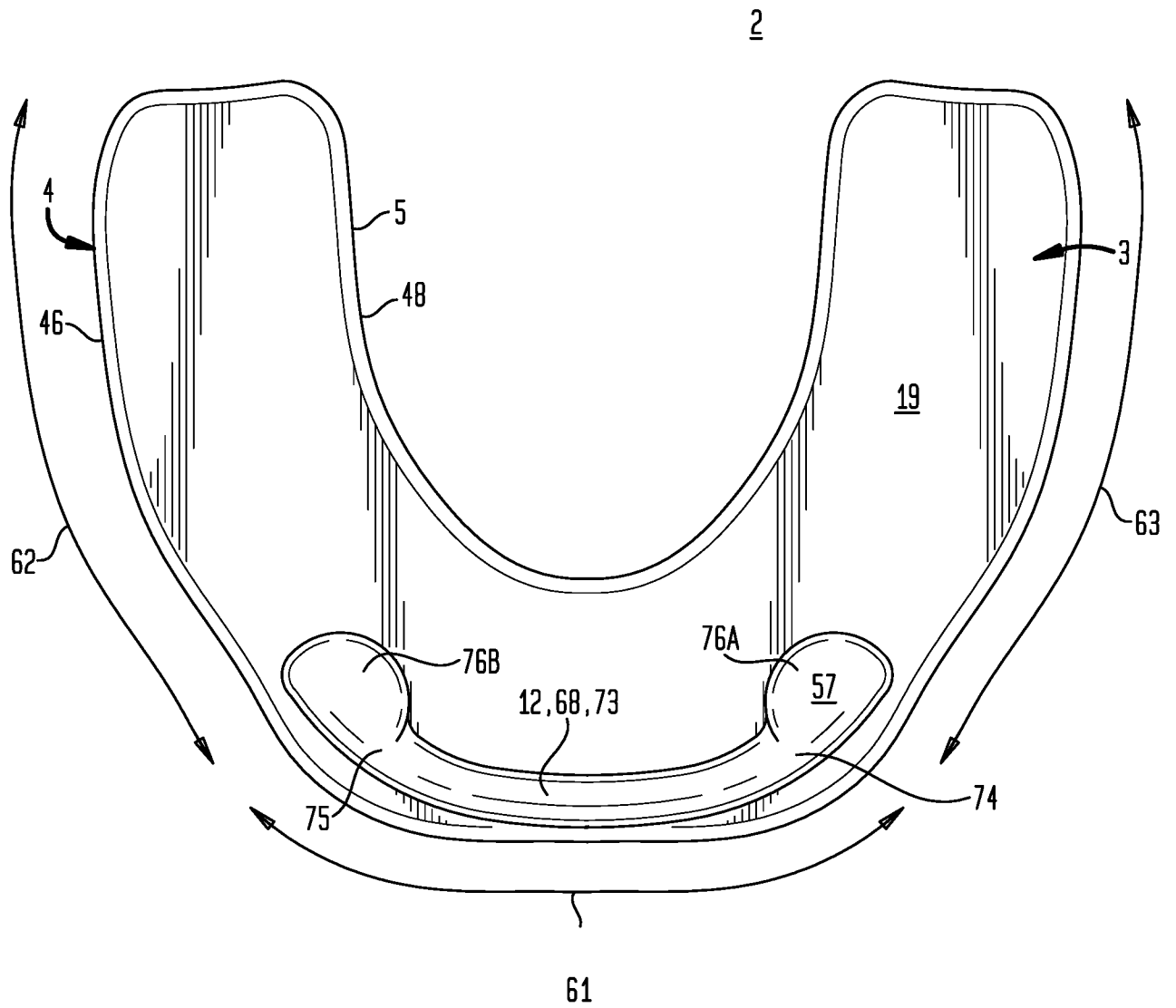


FIG. 15

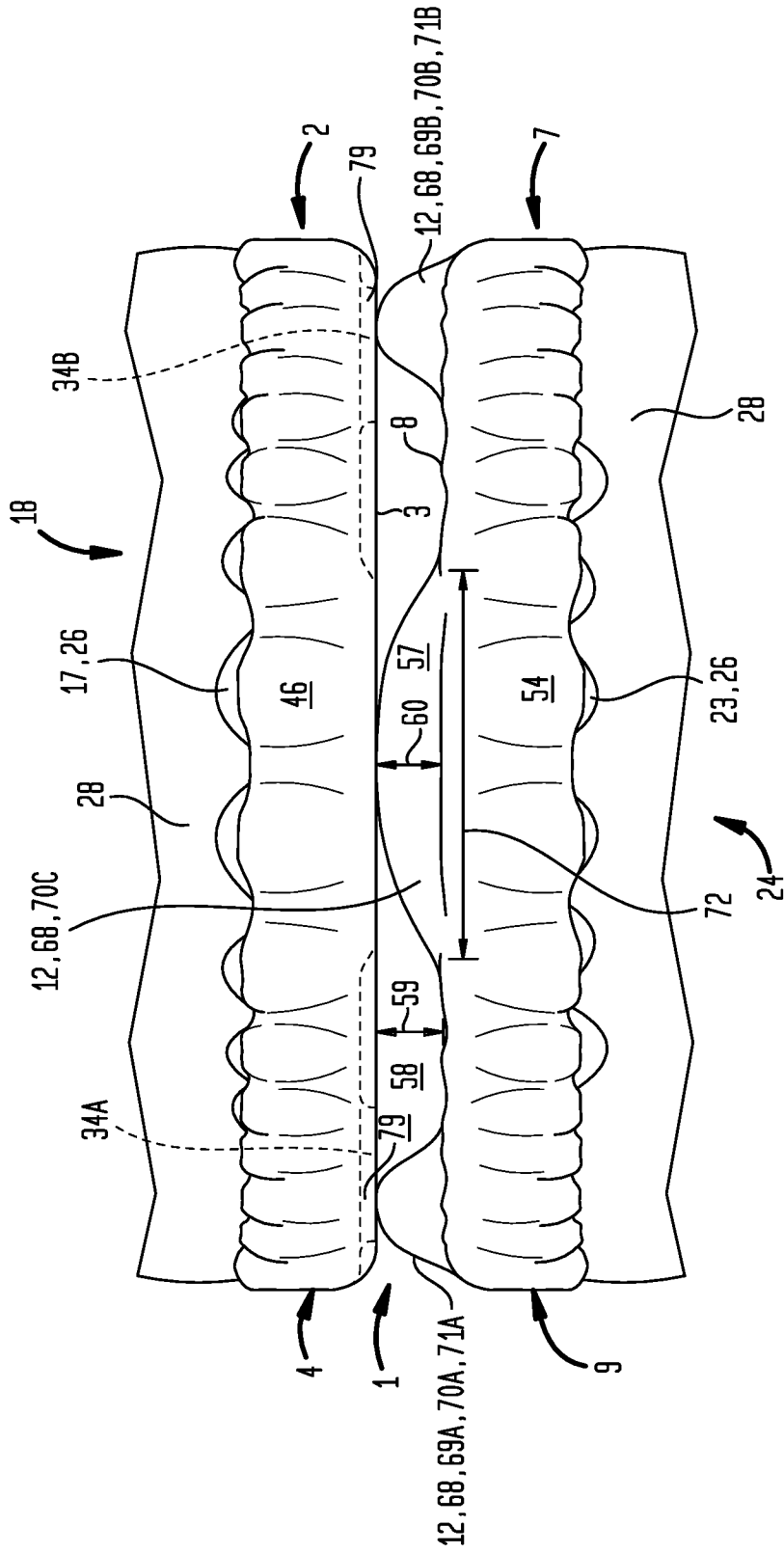


FIG. 16

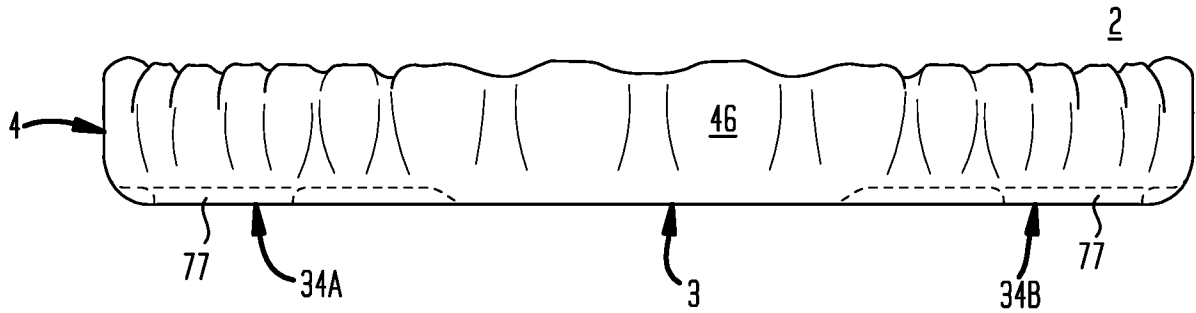


FIG. 17

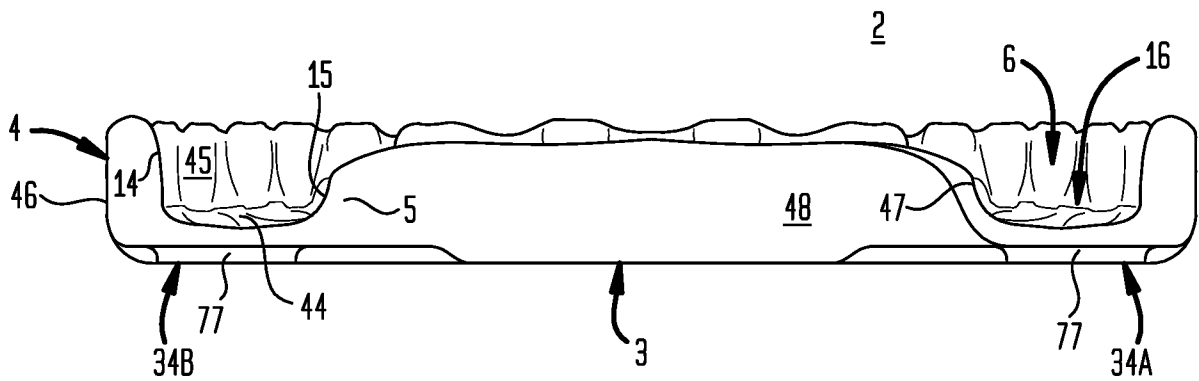


FIG. 18

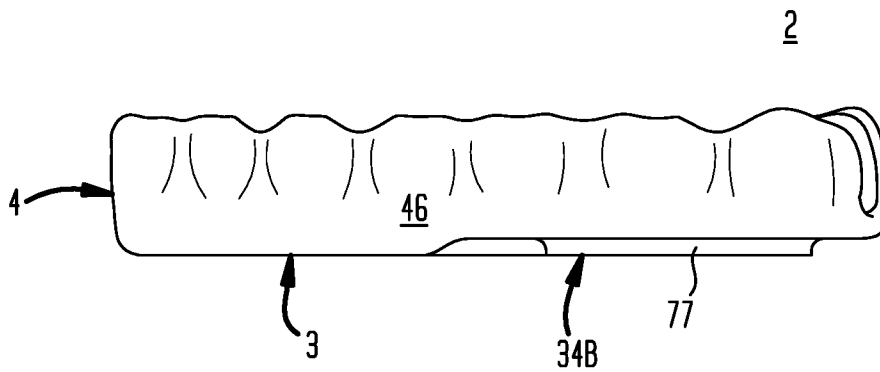


FIG. 19

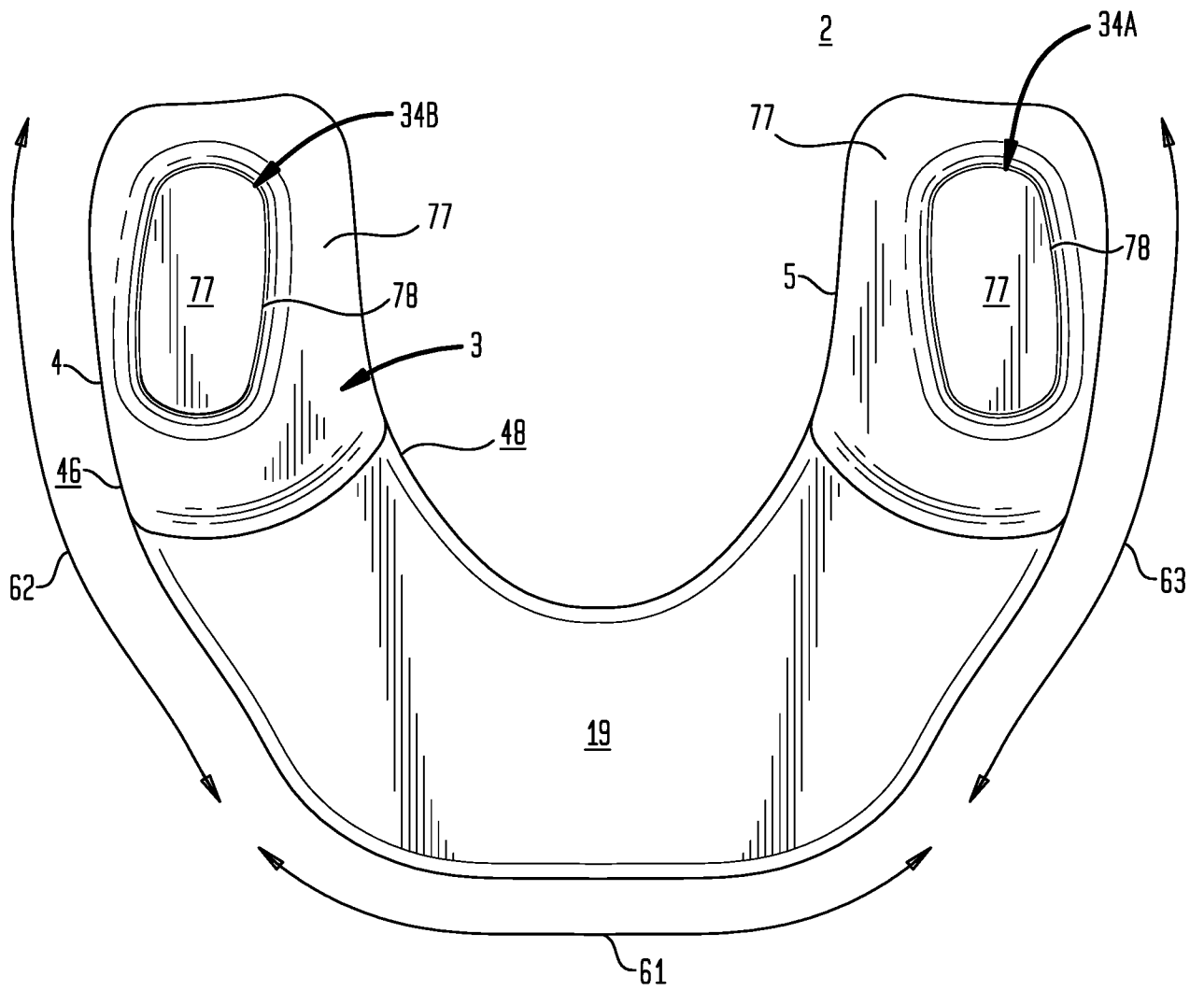


FIG. 20

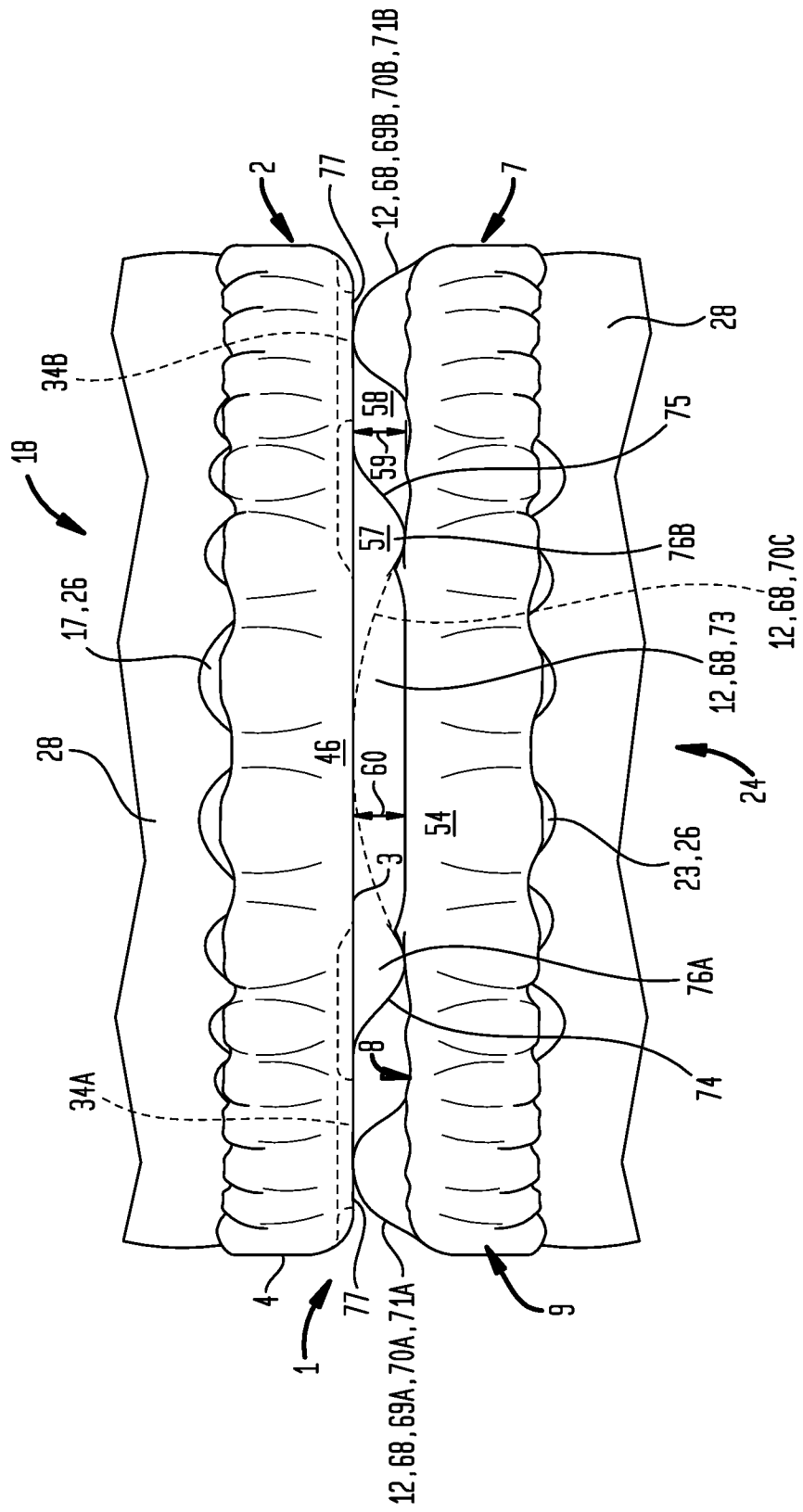


FIG. 21

2

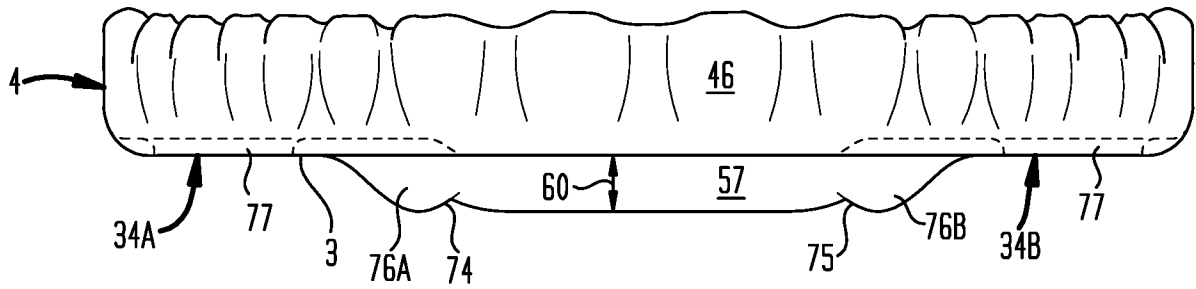


FIG. 22

2

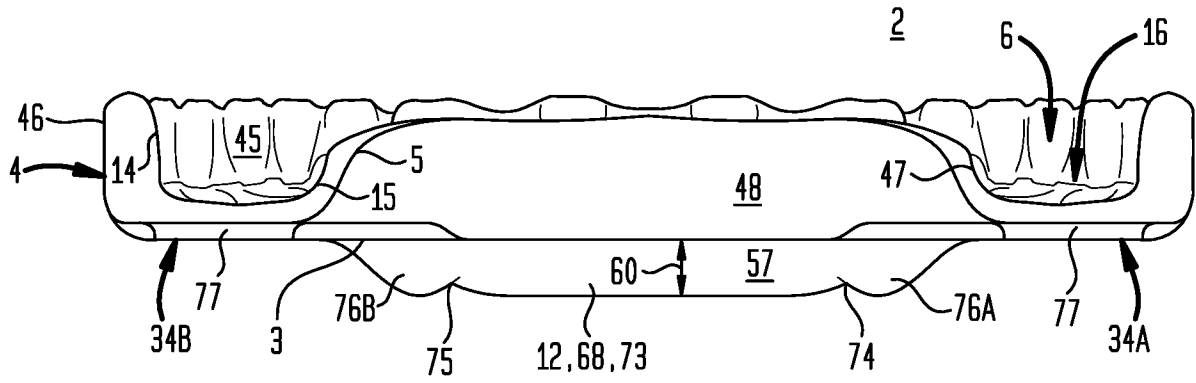


FIG. 23

2

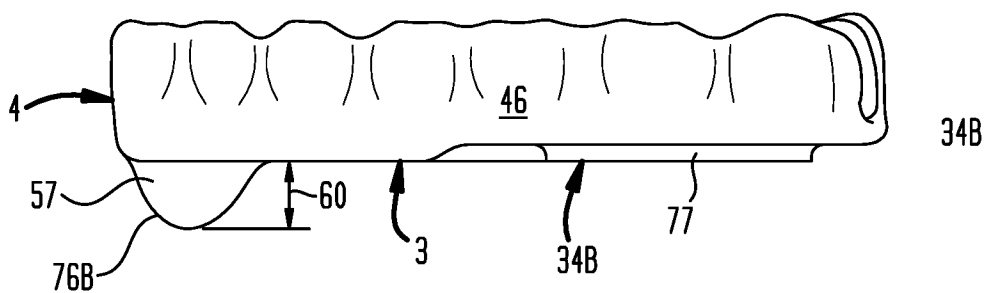
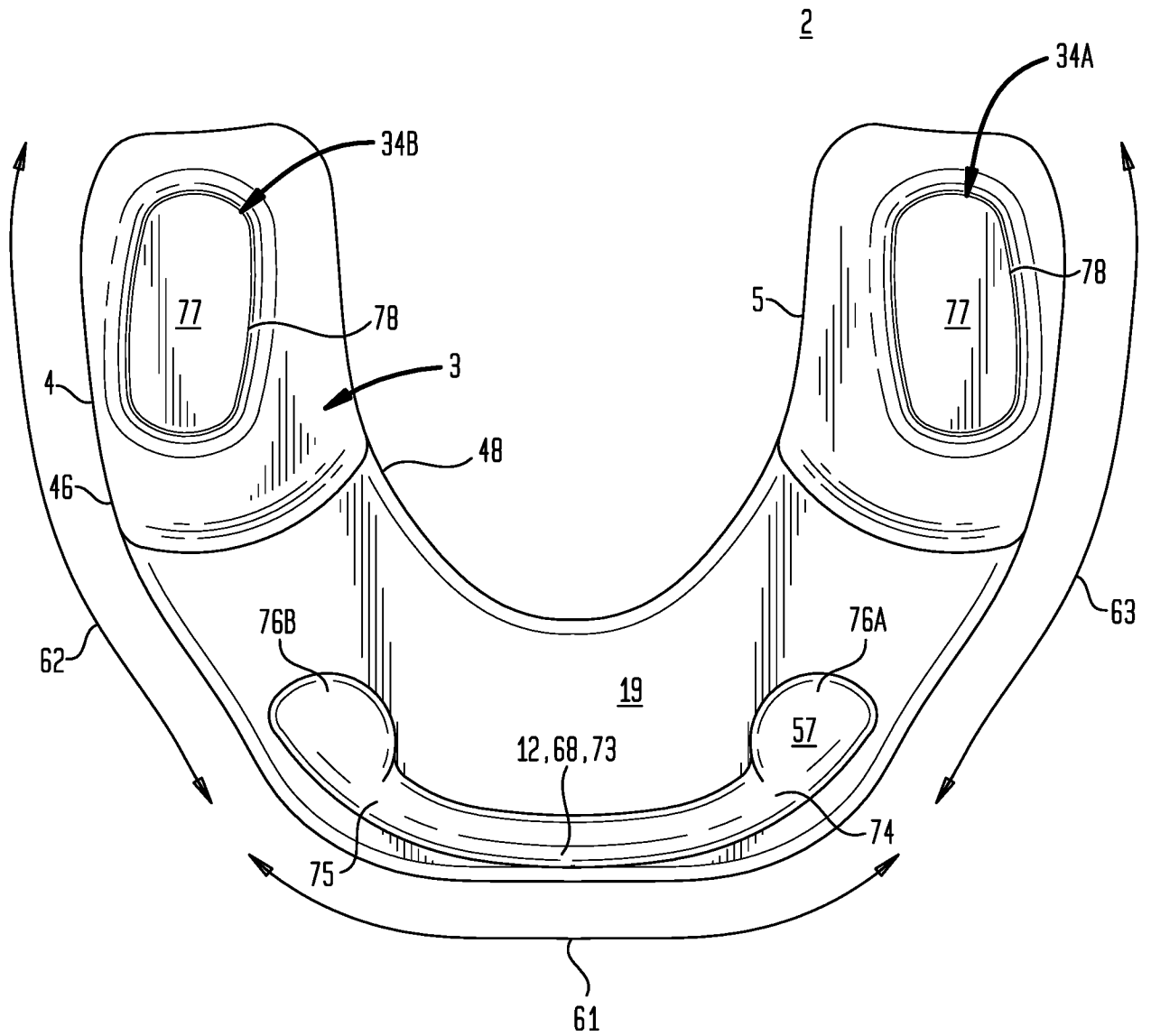
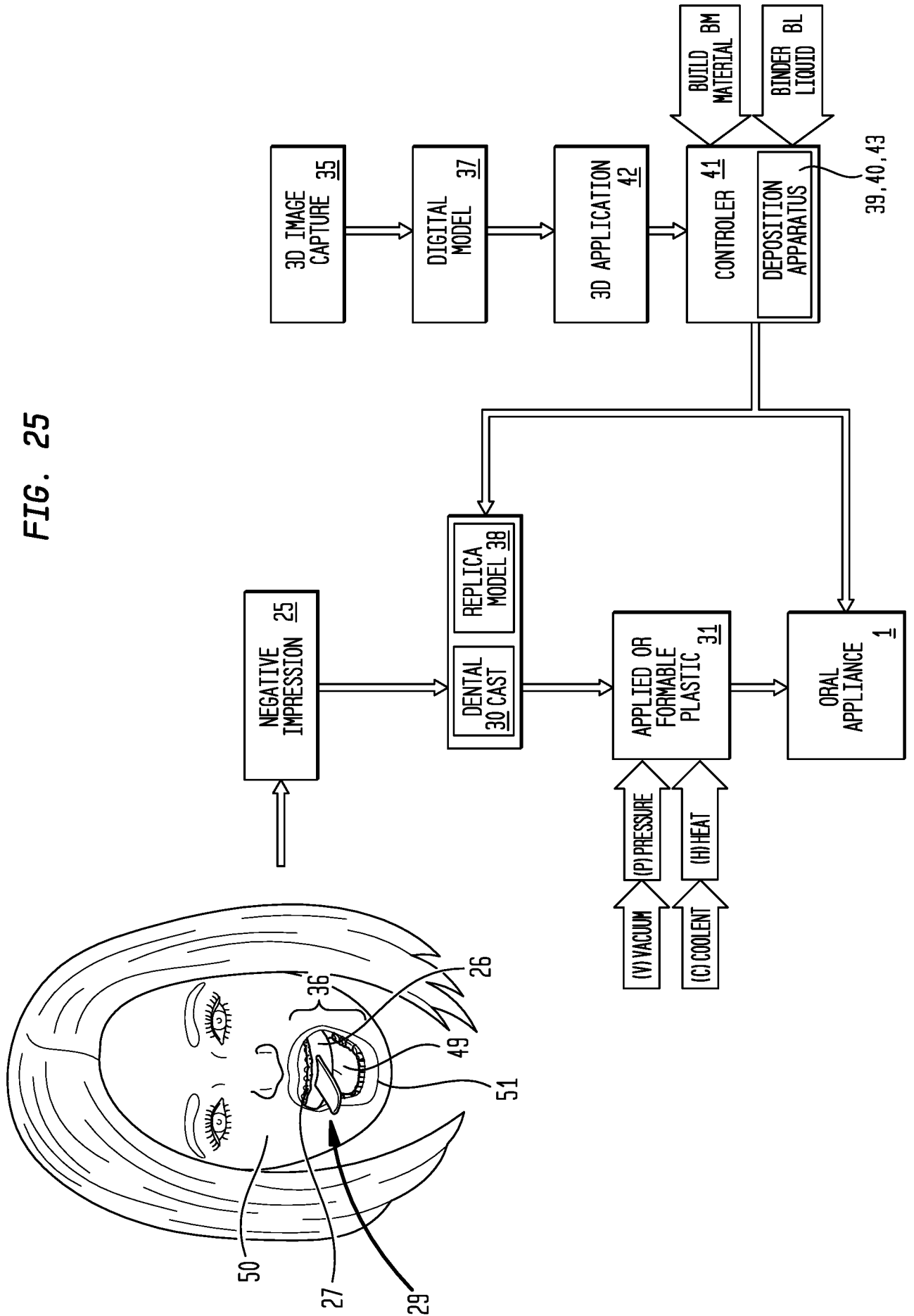


FIG. 24





INTERNATIONAL SEARCH REPORT

International application No.

PCT/US2019/047203

A. CLASSIFICATION OF SUBJECT MATTER

IPC(8) - A61C 7/08; A61C 3/00; A61C 7/00; A61C 7/36; A61C 9/00 (2019.01)

CPC - A61C 7/08; A63B 71/085; A61C 7/00; A61C 9/0006; A61F 5/566 (2019.08)

According to International Patent Classification (IPC) or to both national classification and IPC

B. FIELDS SEARCHED

Minimum documentation searched (classification system followed by classification symbols)

See Search History document

Documentation searched other than minimum documentation to the extent that such documents are included in the fields searched

USPC - 128/848; 128/859; 128/861; 128/862; 433/6 (keyword delimited)

Electronic data base consulted during the international search (name of data base and, where practicable, search terms used)

See Search History document

C. DOCUMENTS CONSIDERED TO BE RELEVANT

Category*	Citation of document, with indication, where appropriate, of the relevant passages	Relevant to claim No.
A	US 2016/0157962 A1 (UNIVERSITY-INDUSTRY COOPERATION GROUP OF KYUNG HEE UNIVERSITY) 09 June 2016 (09.06.2016) entire document	1-39
A	US 2014/0283848 A1 (CRICHIGNO) 25 September 2014 (25.09.2014) entire document	1-39
A	US 2013/0298916 A1 (ALVAREZ et al) 14 November 2013 (14.11.2013) entire document	1-39
A	US 2003/0207224 A1 (LOTTE) 06 November 2003 (06.11.2003) entire document	1-39
P, A	US 2019/0247173 A1 (ZEGARELLI) 15 August 2019 (15.08.2019) entire document	1-39

 Further documents are listed in the continuation of Box C. See patent family annex.

* Special categories of cited documents:

"A" document defining the general state of the art which is not considered to be of particular relevance

"E" earlier application or patent but published on or after the international filing date

"L" document which may throw doubts on priority claim(s) or which is cited to establish the publication date of another citation or other special reason (as specified)

"O" document referring to an oral disclosure, use, exhibition or other means

"P" document published prior to the international filing date but later than the priority date claimed

"T" later document published after the international filing date or priority date and not in conflict with the application but cited to understand the principle or theory underlying the invention

"X" document of particular relevance; the claimed invention cannot be considered novel or cannot be considered to involve an inventive step when the document is taken alone

"Y" document of particular relevance; the claimed invention cannot be considered to involve an inventive step when the document is combined with one or more other such documents, such combination being obvious to a person skilled in the art

"&" document member of the same patent family

Date of the actual completion of the international search

01 October 2019

Date of mailing of the international search report

22 OCT 2019

Name and mailing address of the ISA/US

Mail Stop PCT, Attn: ISA/US, Commissioner for Patents

P.O. Box 1450, Alexandria, VA 22313-1450

Facsimile No. 571-273-8300

Authorized officer

Blaine R. Copenheaver

PCT Helpdesk: 571-272-4300

PCT OSP: 571-272-7774