



US 20230182032A1

(19) **United States**

(12) **Patent Application Publication**
Fleming, JR. et al.

(10) **Pub. No.: US 2023/0182032 A1**

(43) **Pub. Date: Jun. 15, 2023**

(54) **CAR WITH INTERCHANGEABLE PARTS**

(52) **U.S. Cl.**

CPC *A63H 17/002* (2013.01); *A63H 17/262* (2013.01)

(71) Applicants: **Delvin Fleming, JR.**, Richmond, VA (US); **Ellen Fleming-Gonder**, Richmond, VA (US)

(57) **ABSTRACT**

(72) Inventors: **Delvin Fleming, JR.**, Richmond, VA (US); **Ellen Fleming-Gonder**, Richmond, VA (US)

The disclosure is the only product of its kind that enables children to change all the features of their toy cars to make them more personal and interactive. This unprecedented product is uniquely designed with durable materials to ensure long term sustainability and diverse, avant-garde features to enhance motor skills among developing children as they engage in play. The disclosed vehicle with interchangeable parts includes a plurality of female sockets defined linearly in a part of the vehicle and configured to receive a male part complementary to at least one of the plurality of female sockets. The disclosure also includes an interchangeable part of the vehicle configured with the male part to be received slidingly along a length thereof into at least one of the plurality of female sockets.

(21) Appl. No.: **17/549,656**

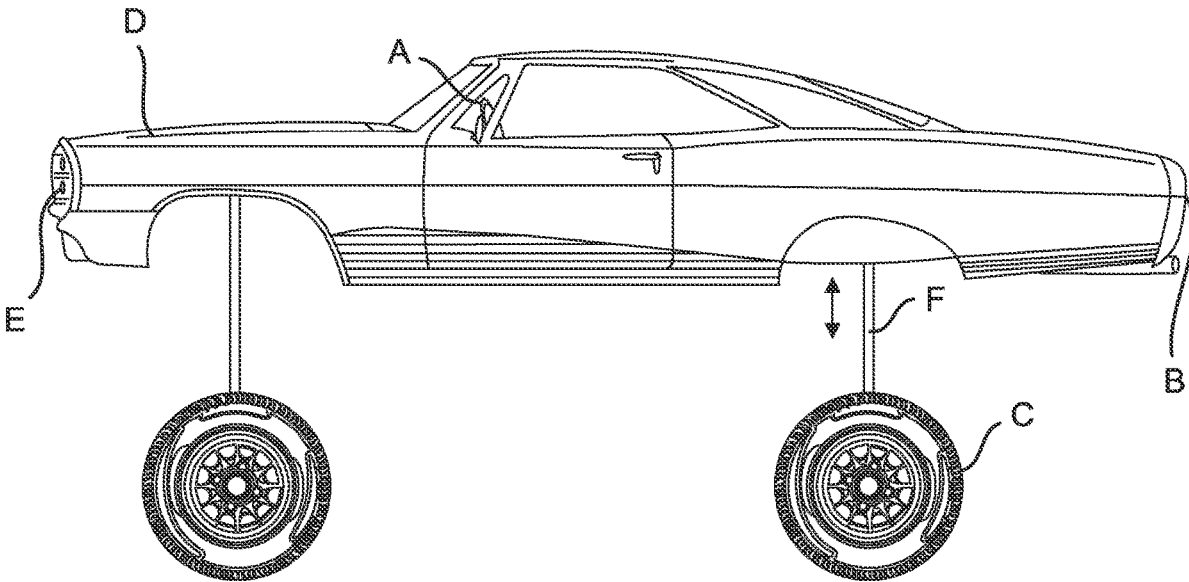
(22) Filed: **Dec. 13, 2021**

Publication Classification

(51) **Int. Cl.**

A63H 17/00 (2006.01)

A63H 17/26 (2006.01)



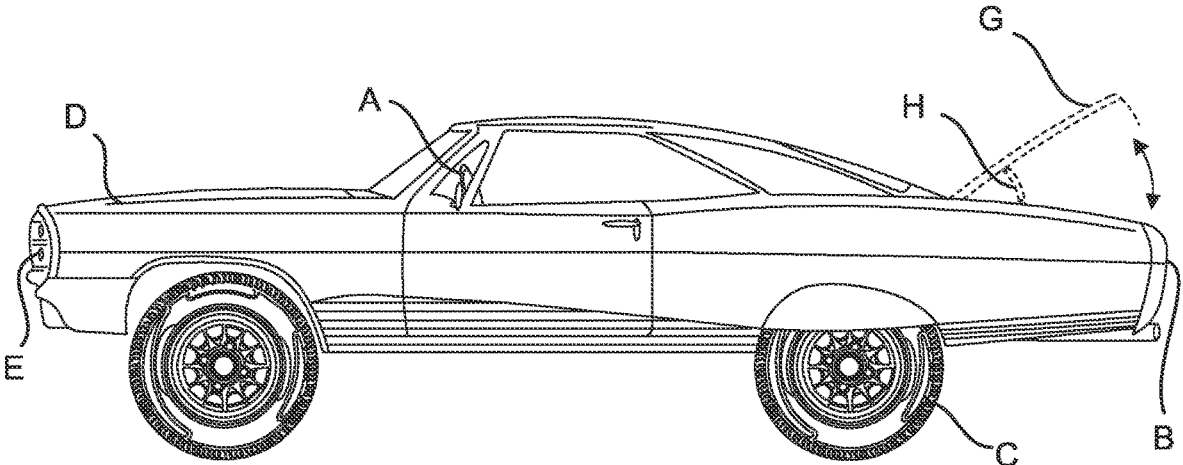


FIG. 1

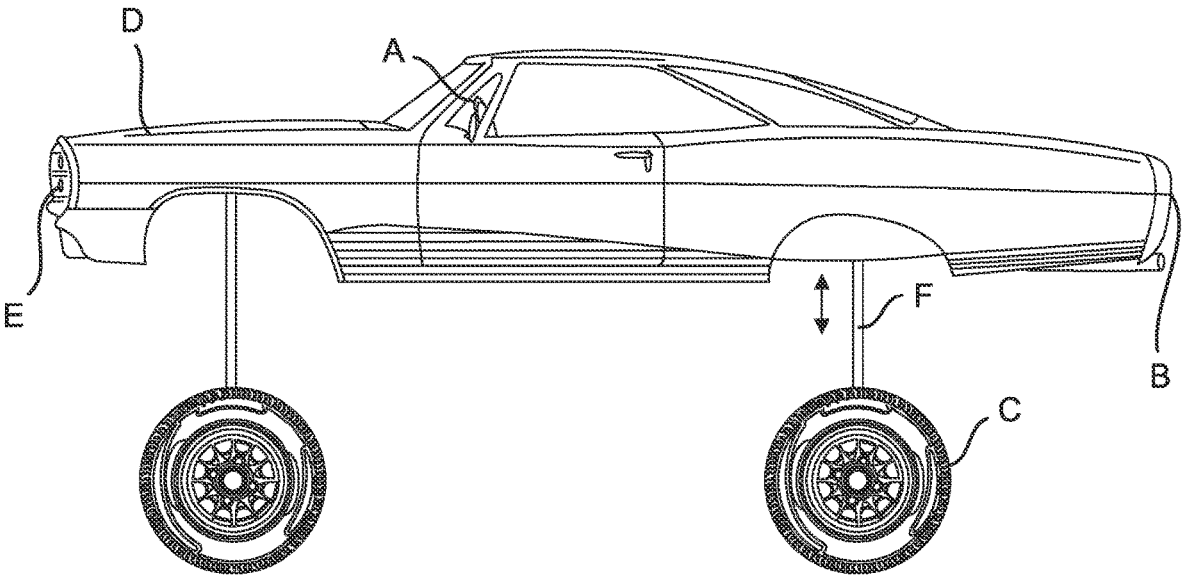


FIG. 2

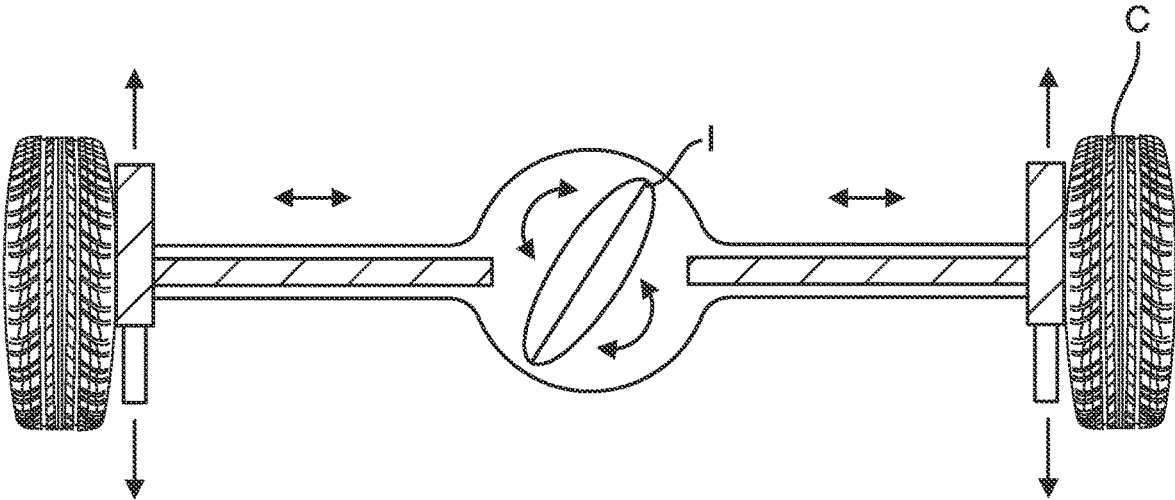


FIG. 3

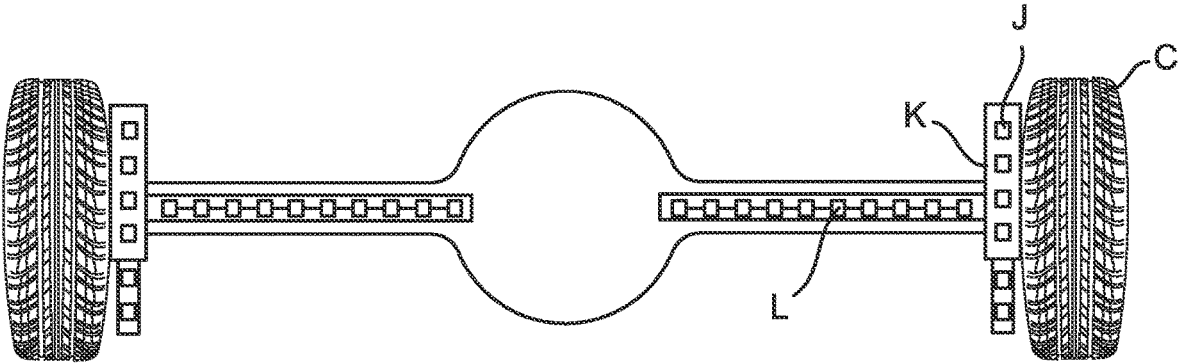


FIG. 4

CAR WITH INTERCHANGEABLE PARTS

BACKGROUND

[0001] Toy cars, are becoming increasingly more popular as a gift investment for children, and their use can help build a child's fine motor skills as well as help them in developing hand eye coordination. Most children, however, will often get bored very quickly after playing with their average toy cars due to their inability to alter their cars' looks and their lack of diversity, over time. There have been no products available as original equipment or as an aftermarket to address this problem.

[0002] A device or system to allow children to modify their toy cars is missing in the marketplace. There have been no products available as original equipment or as an aftermarket to address this problem either.

[0003] There exists a need for a device and system such as the present invention of the Toy Car With Interchangeable Parts, that is not being met by any known or disclosed device or system of present.

SUMMARY OF THE INVENTION

[0004] The main purpose of the disclosed Car With Interchangeable Parts is to provide children with a customizable toy car with a wide variety of changeable features. Ingenious and practical, Buds Custom Cars offers a modern accessory that enables children to individually customize and change the appearance of their toy cars which as a result not only makes the toy more intriguing and exciting, but also enables children to become more reactive and encourages the use of their design skills.

[0005] A disclosed vehicle with interchangeable parts includes a plurality of female sockets defined linearly in a part of the vehicle and configured to receive a male part complementary to at least one of the plurality of female sockets. The disclosure also includes an interchangeable part of the vehicle configured with the male part to be received slidingly along a length thereof into at least one of the plurality of female sockets.

BRIEF DESCRIPTION OF THE DRAWINGS

[0006] FIG. 1 is a left side perspective view of the car with interchangeable parts showing changeable body parts in accordance with an embodiment of the present disclosure.

[0007] FIG. 2 is a left side perspective view of the car with interchangeable parts showing changeable lifter bars in accordance with an embodiment of the present disclosure.

[0008] FIG. 3 is a front perspective view of the car with interchangeable parts detailing wheels and axle showing changeable wheels in accordance with an embodiment of the present disclosure.

[0009] FIG. 4 is a back side perspective view of the car with interchangeable parts detailing wheels and axle showing changeable and adjustable wheels and axle in accordance with an embodiment of the present disclosure

[0010] Throughout the description, similar reference numbers may be used to identify similar elements depicted in multiple embodiments. Although specific embodiments of the invention have been described and illustrated, the invention is not to be limited to the specific forms or arrangements of parts so described and illustrated. The scope of the invention is to be defined by the claims appended hereto and their equivalents.

DETAILED DESCRIPTION

[0011] Reference will now be made to exemplary embodiments illustrated in the drawings and specific language will be used herein to describe the same. It will nevertheless be understood that no limitation of the scope of the disclosure is thereby intended. Alterations and further modifications of the inventive features illustrated herein and additional applications of the principles of the inventions as illustrated herein, which would occur to one skilled in the relevant art and having possession of this disclosure, are to be considered within the scope of the invention.

[0012] FIG. 1 is a left side perspective view of the car with interchangeable body parts showing: changeable steering wheel referenced as A., changeable tail light referenced as B., changeable wheels referenced as C., changeable color referenced as D., changeable headlight referenced as E., trunk referenced as G., push button to hold open referenced as H., in accordance with an embodiment of the present disclosure.

[0013] FIG. 2 is a left side perspective view of the car with interchangeable parts showing: changeable steering wheel referenced as A., Changeable tail light referenced as B., changeable wheels referenced as C., changeable color referenced as D., changeable headlight referenced as E., spring loaded bars to lift and lower vehicle referenced as F., in accordance with an embodiment of the present disclosure.

[0014] FIG. 3 is a front perspective view of the car with interchangeable parts detailing wheels and axle showing: changeable wheels referenced as C., in accordance with an embodiment of the present disclosure.

[0015] FIG. 4 is a back side perspective view of the car with interchangeable parts detailing wheels and axle showing: changeable wheels referenced as C., large open slot or socket referenced as J., push adjustments referenced as K., small slots or small sockets to lock the axle in referenced as L., in accordance with an embodiment of the present disclosure.

[0016] The present disclosed Car with Interchangeable Parts, also known as "Buds Custom Cars", functions as an average toy car but introduces novel features that can be changed out to customize the cars to cater to the user's exact preferences and desires. Children will be able to change the wheel rims along with the headlights, taillights, and the oafs body color. To further enhance functionality, individuals will also be able to lift and lower the vehicle through the spring-loaded bars. This innovative, top-quality product ensures children will be able to create unique, one-of-a-kind designs for their cars and are able to change the features at all times to guarantee they do not get bored with their mini-auto collection. Moreover, Buds Custom Cars gives children the opportunity to explore their individuality, foster creativity and thus may prove to be essential in the toys/hobbies industry.

[0017] Although the operations of the method(s) herein are shown and described in a particular order, the order of the operations of each method may be altered so that certain operations may be performed in an inverse order or so that certain operations may be performed, at least in part, concurrently with other operations. In another embodiment, instructions or sub-operations of distinct operations may be implemented in an intermittent and/or alternating manner.

What is claimed is:

1. A vehicle with interchangeable parts comprising:
a plurality of female sockets defined linearly in a part of the vehicle and configured to receive a male part complementary to at least one of the plurality of female sockets; and
an interchangeable part of the vehicle configured with the male part to be received slidingly along a length thereof into at least one of the plurality of female sockets.
2. The vehicle with interchangeable parts of claim 1, further comprising a set of interchangeable tail lights.
3. The vehicle with interchangeable parts of claim 1, further comprising a set of interchangeable wheel rims.
4. The vehicle with interchangeable parts of claim 1, further comprising of a set of interchangeable headlights.
5. The vehicle with interchangeable parts of claim 1, further comprising an interchangeable trunk with a push button release.
6. The vehicle with interchangeable parts of claim 1, further comprising an interchangeable hood.
7. The vehicle with interchangeable parts of claim 1, further comprising a plurality of spring loaded wheel lift bars configured to raise and to lower the vehicle.
8. The vehicle with interchangeable parts of claim 1, further comprising a release button configured to slidingly release the interchangeable part along the length thereof.
9. The vehicle with interchangeable parts of claim 1, further comprising a release of the male part from the at least one of the plurality of female sockets via a spring.
10. The Toy vehicle with interchangeable parts of claim 1, wherein a length of an axle of the car is adjustable via the length of the male part received.
11. The vehicle with interchangeable parts of claim 1, wherein a height of a plurality of wheel lifter bars for the vehicle is adjustable via the length of the male part received.
12. The vehicle with interchangeable parts of claim 1, wherein a height of a plurality of wheels for the vehicle is adjustable via a length of the male part received.
13. The vehicle with interchangeable parts of claim 1, wherein the vehicle is a toy.
14. The vehicle with interchangeable parts of claim 1, wherein the vehicle is a go cart.

* * * * *