



US 20160051047A1

(19) **United States**
(12) **Patent Application Publication**
Natuzzi

(10) **Pub. No.: US 2016/0051047 A1**
(43) **Pub. Date: Feb. 25, 2016**

(54) **CONVERTIBLE SEATING AND DINETTE ARRANGEMENT**

A47B 5/04 (2006.01)
A47C 13/00 (2006.01)
A47C 17/16 (2006.01)

(71) Applicant: **Triple E Canada, Ltd.**, Winkler (CA)

(72) Inventor: **Angelo Natuzzi**, Winkler (CA)

(52) **U.S. Cl.**
CPC *A47B 85/04* (2013.01); *A47C 13/00*
(2013.01); *A47C 17/16* (2013.01); *A47B 5/04*
(2013.01); *A47B 5/06* (2013.01)

(73) Assignee: **Triple E Canada, Ltd.**

(21) Appl. No.: **14/825,740**

(22) Filed: **Aug. 13, 2015**

(57) **ABSTRACT**

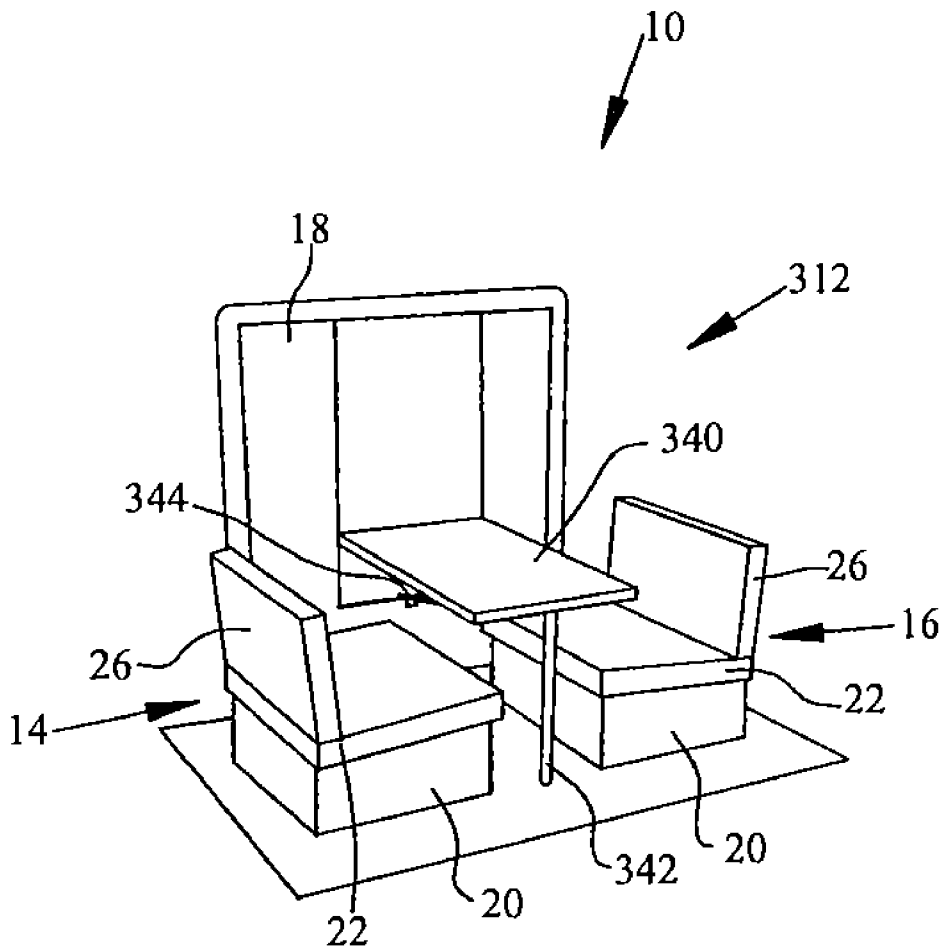
Related U.S. Application Data

(60) Provisional application No. 62/130,727, filed on Mar. 10, 2015, provisional application No. 62/039,720, filed on Aug. 20, 2014.

Publication Classification

(51) **Int. Cl.**
A47B 85/04 (2006.01)
A47B 5/06 (2006.01)

A convertible seating and dinette arrangement that includes moveable and adjustable first and second seats with each seat including a base, a seat bottom, and a backrest; and wherein each base is configured for pivotal movement to adjust between various modes. The convertible seating and dinette arrangement can include seats that are moveable and convertible to at least three different modes including a sofa mode, a recliner mode, a daybed mode, a dinette mode, an alternate dinette mode, and a chaise lounge mode.



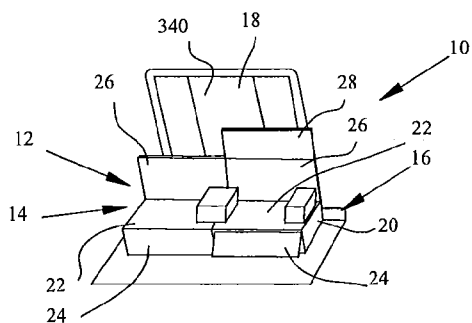


FIG. 1

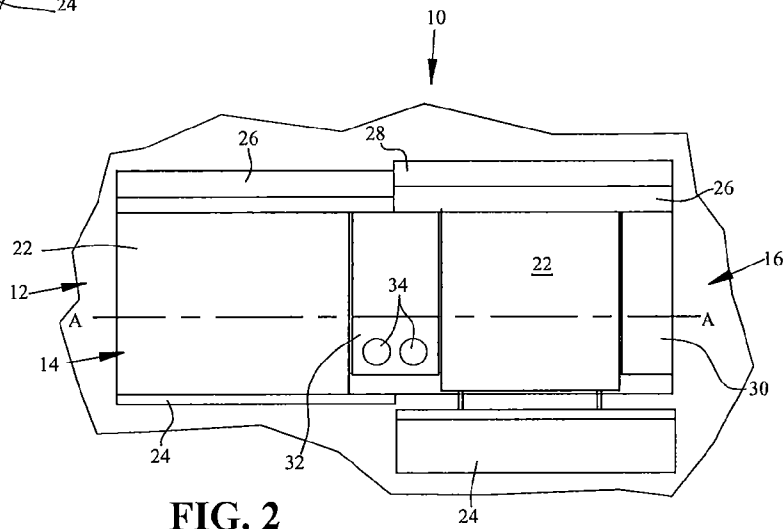


FIG. 2

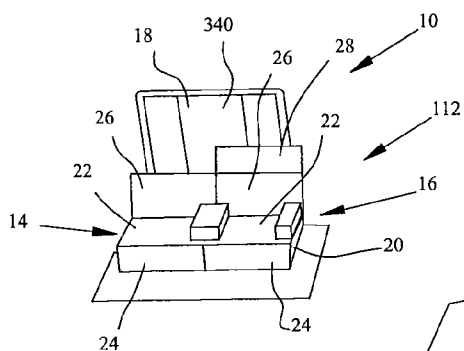


FIG. 3

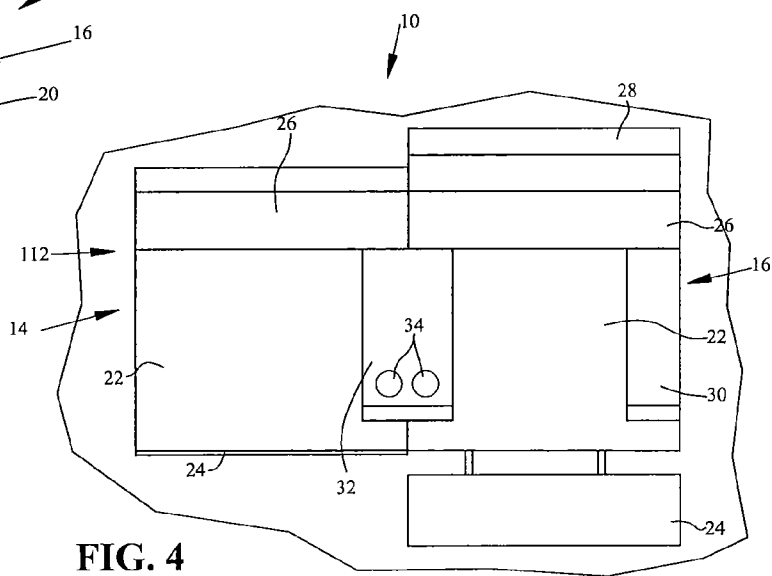


FIG. 4

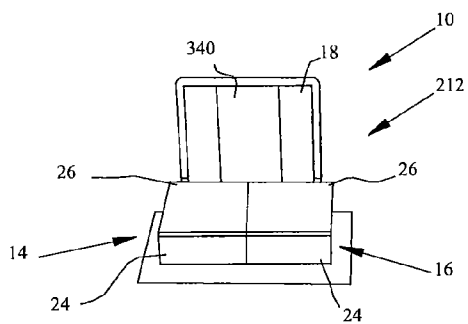


FIG. 5

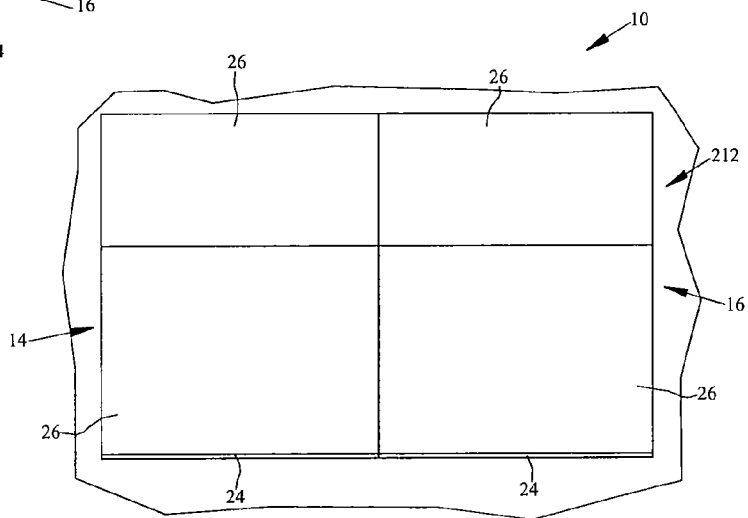


FIG. 6

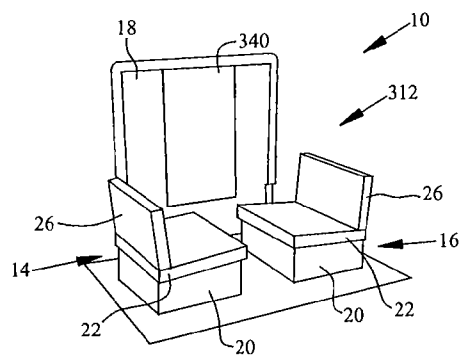


FIG. 7

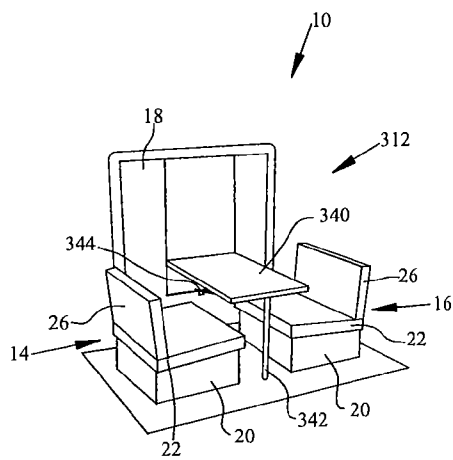


FIG. 8

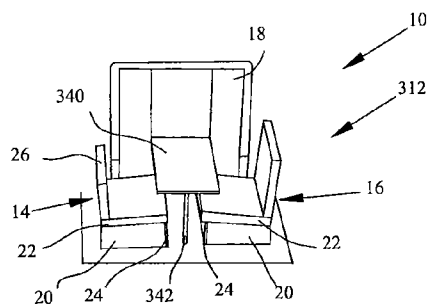


FIG. 9

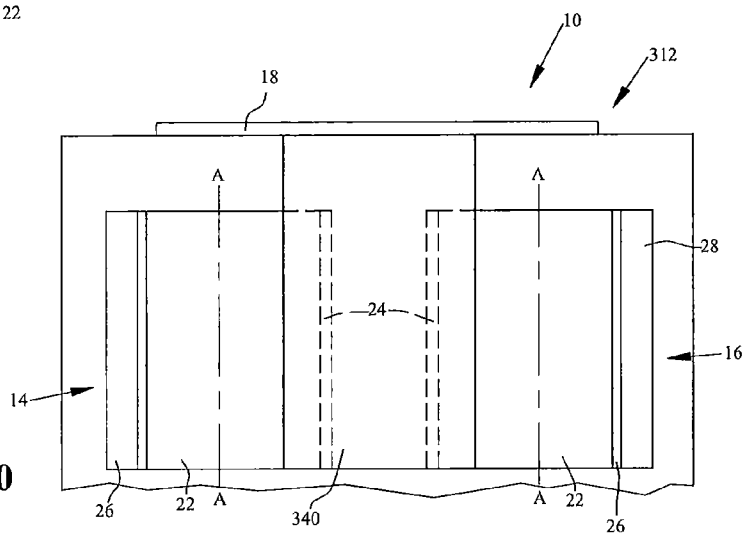


FIG. 10

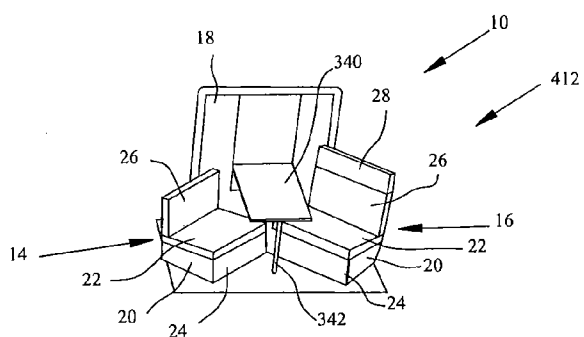


FIG. 11

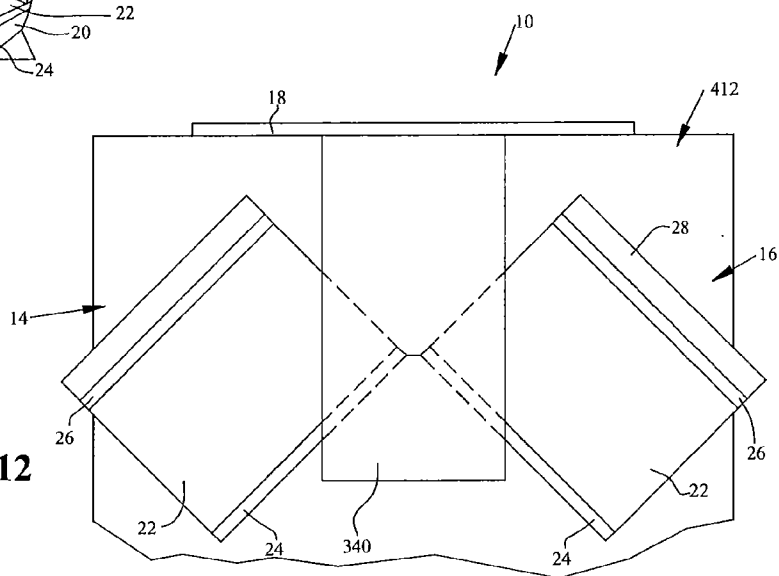


FIG. 12

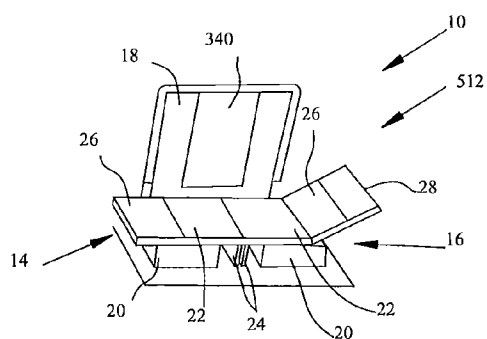


FIG. 13

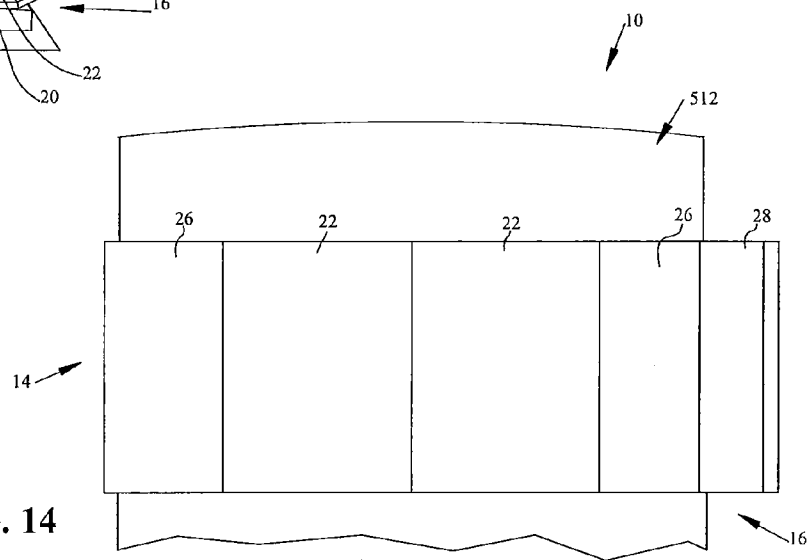
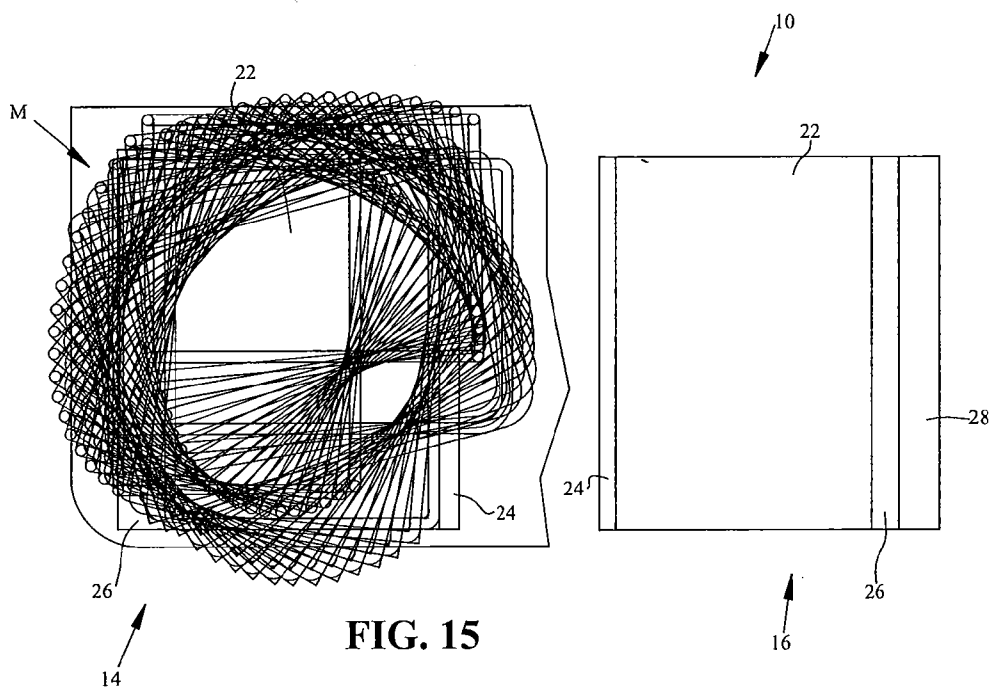


FIG. 14



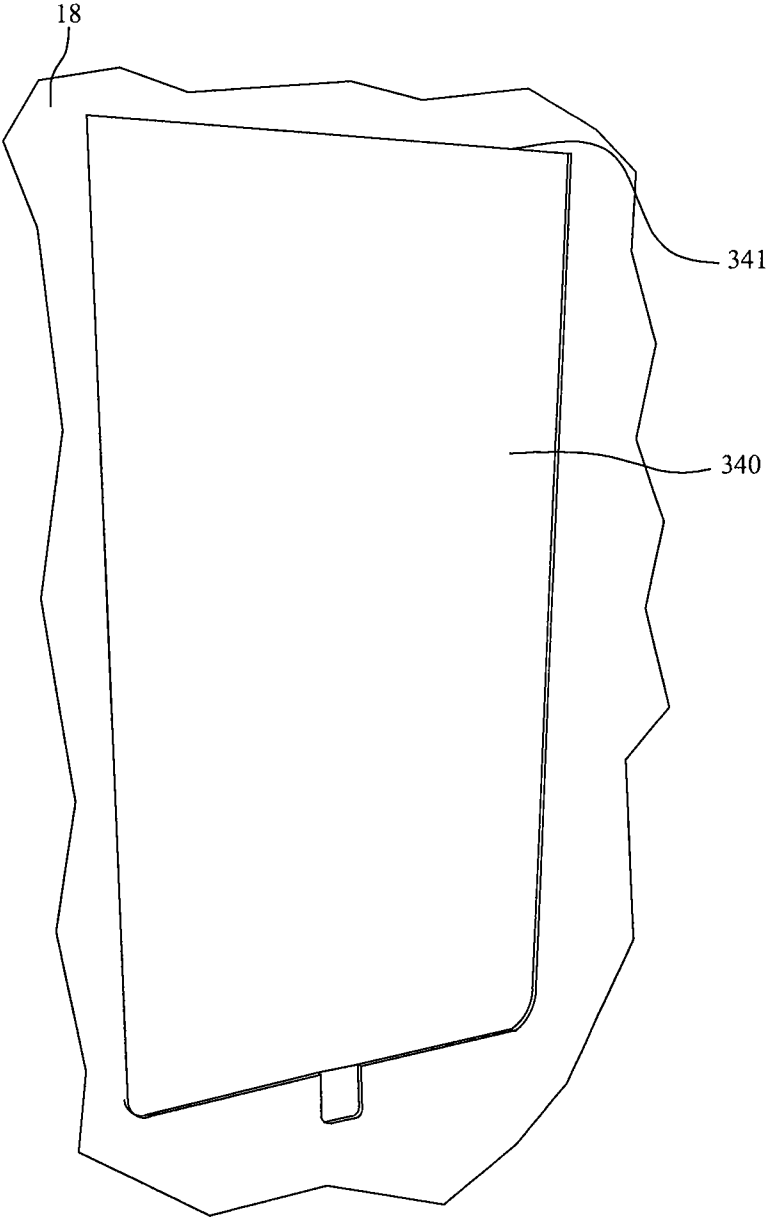


FIG. 16

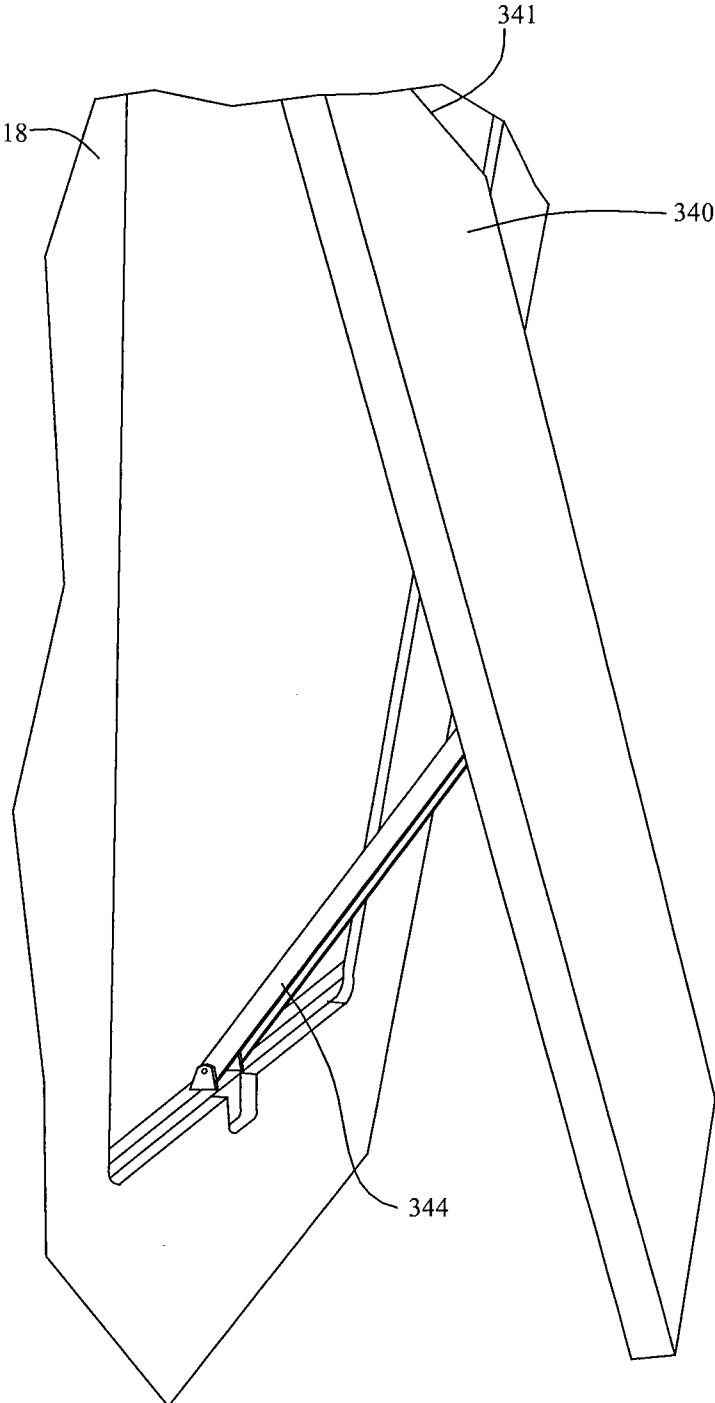


FIG. 17

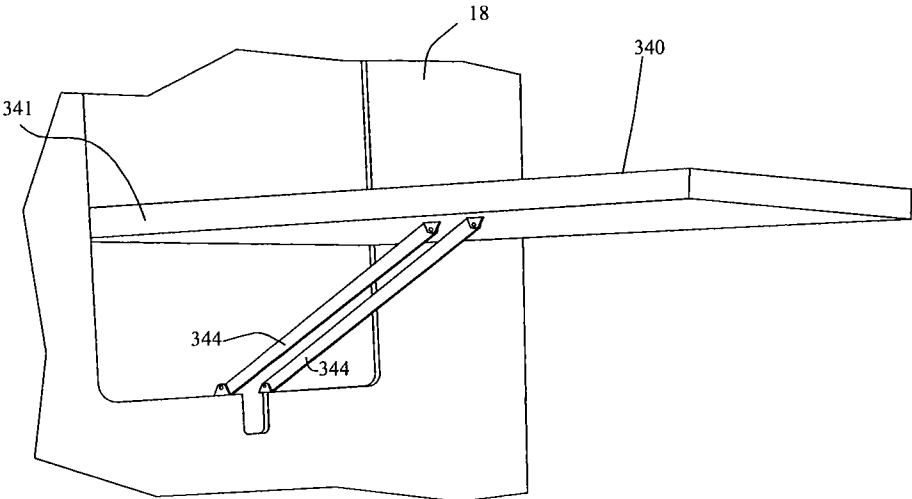


FIG. 18

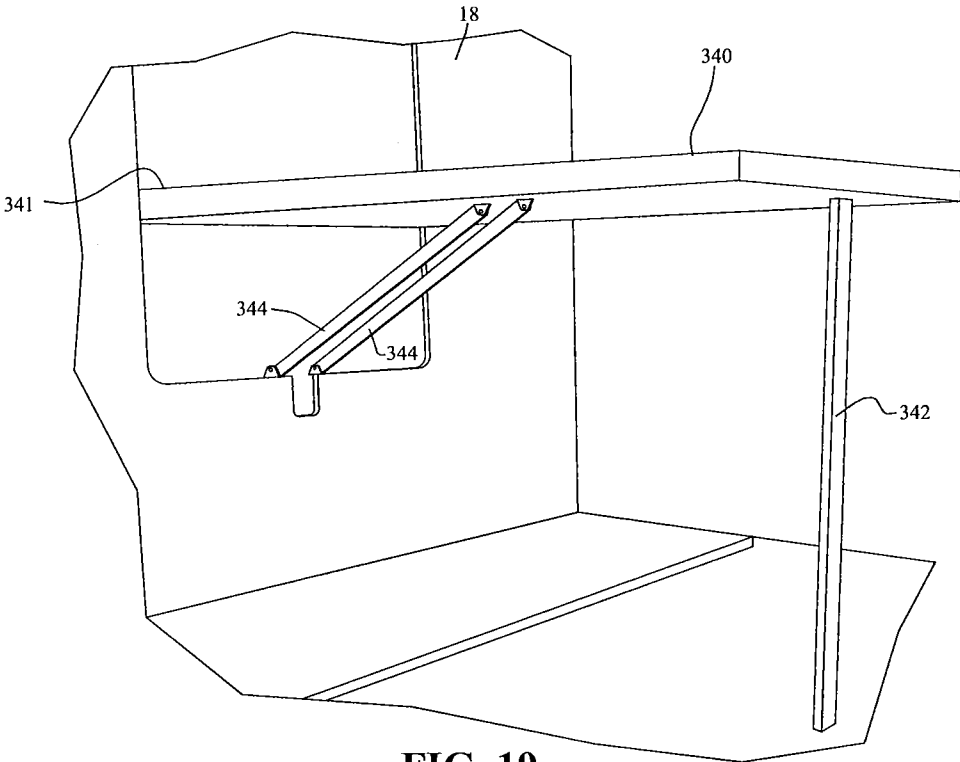
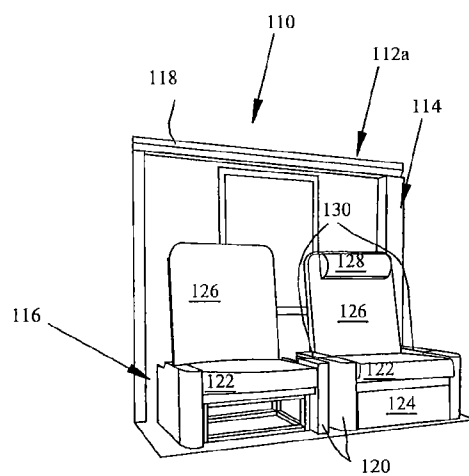
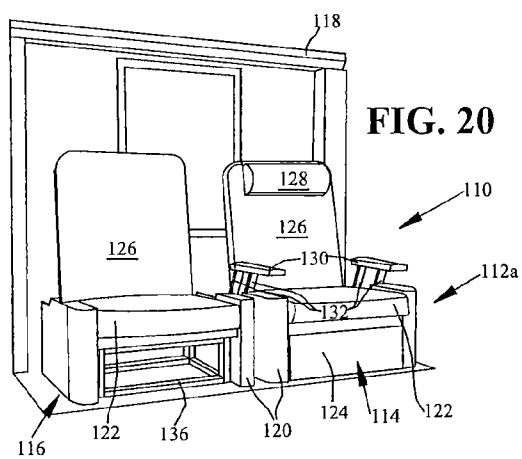
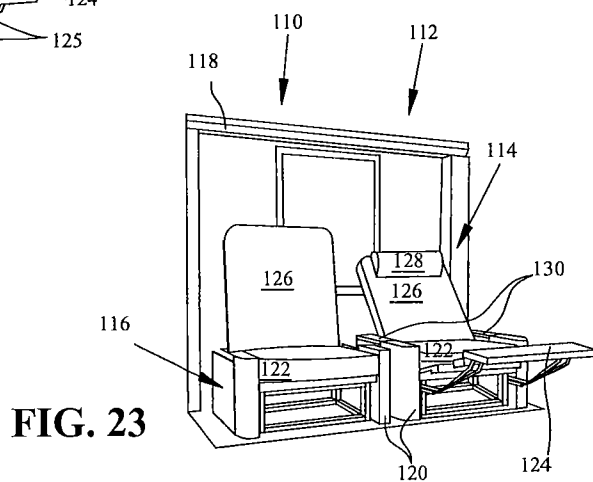
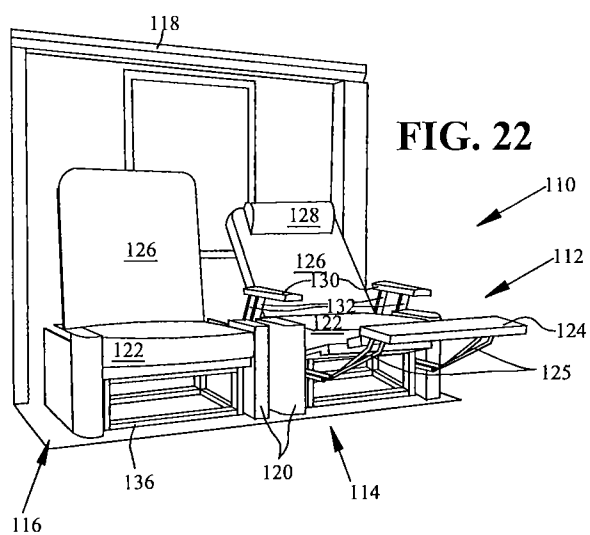


FIG. 19





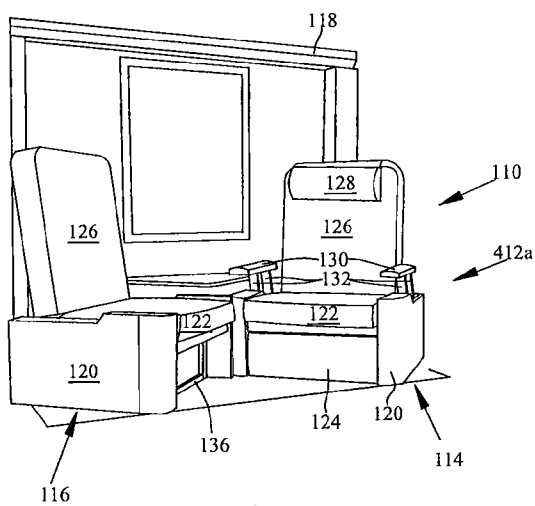


FIG. 24

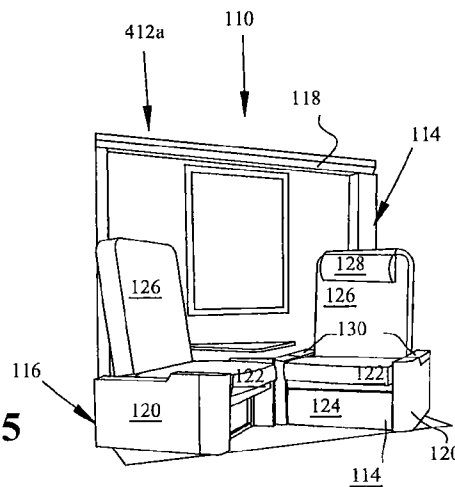


FIG. 25

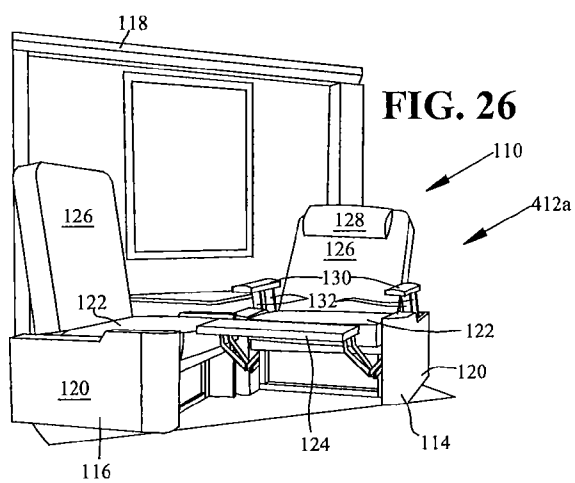


FIG. 26

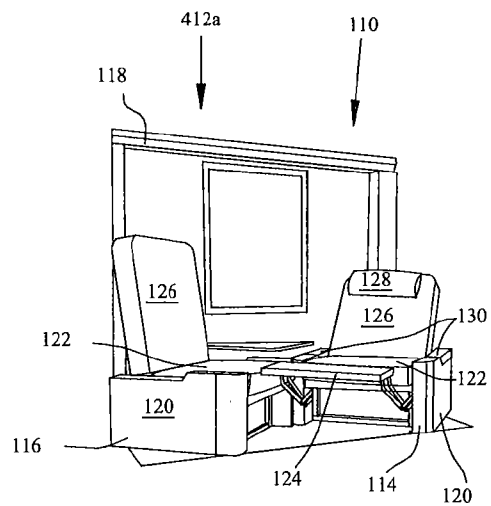


FIG. 27

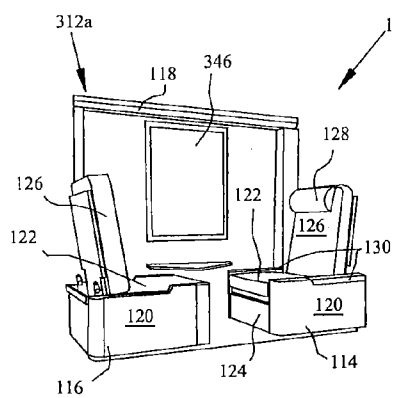


FIG. 30

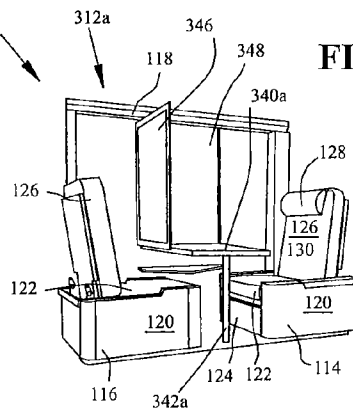


FIG. 31

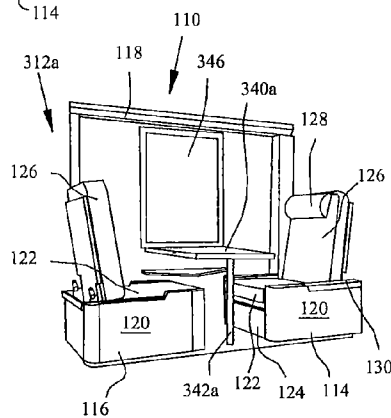


FIG. 32

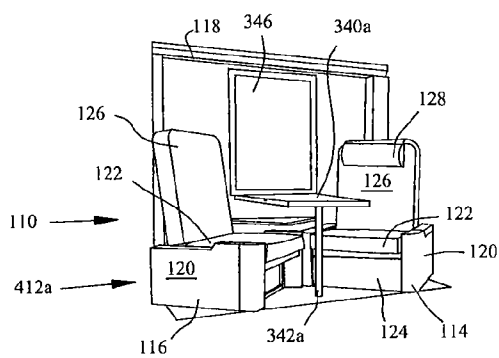


FIG. 33

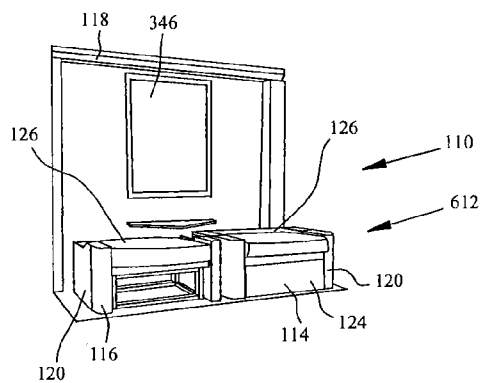


FIG. 34

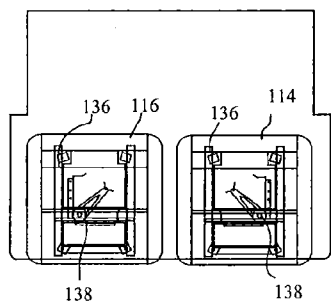


FIG. 35

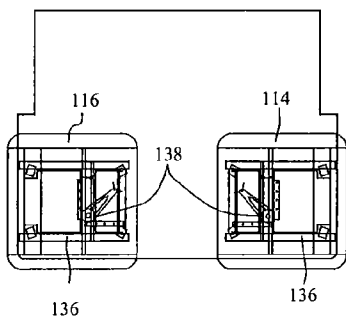


FIG. 36

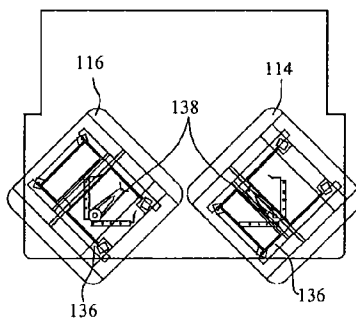


FIG. 37

CONVERTIBLE SEATING AND DINETTE ARRANGEMENT

[0001] This application claims priority from and the benefit of U.S. Provisional Patent Application Ser. No. 62/130,727, filed Mar. 10, 2015 and the benefit of U.S. Provisional Patent Application Ser. No. 62/039,720, filed on Aug. 20, 2014, the complete disclosures for both applications being incorporated herein by reference.

BACKGROUND OF THE INVENTION

[0002] The subject invention relates to a convertible seating and dining arrangement, and in particular, to a convertible seating and dining arrangement capable of moving between at least three modes. The modes may include a sofa mode, a recliner mode, a daybed mode, a first dinette mode, an alternate dinette mode, and a chaise lounge mode.

[0003] In confined living quarters, such as, but not limited to recreational vehicles, boats, and park model trailers, space is limited and at a premium. Accordingly, it is desirable if existing space and accommodations can be rearranged to use for more than one purpose. For instance, it has been known to provide dinette arrangements, which may be convertible to a sleeping surface. Further uses or arrangements would greatly enhance the utility of such a multiple use arrangement in a living space of limited area.

SUMMARY OF THE INVENTION

[0004] In one embodiment of the invention, a convertible seating and dinette arrangement is provided that includes moveable and adjustable first and second seats with each seat including a base, a seat bottom, and a backrest; and wherein each base is configured for pivotal movement to adjust between various modes. The convertible seating and dinette arrangement may also include a footrest attached to at least one of the seats.

[0005] The footrest may be adjustable between a position perpendicular to a floor in which the seats are located to an elevated position where a bottom end of the footrest is away from the floor. The footrest may be adjustable to an approximately horizontal position. The footrest may support an end of the seat bottom to which it is attached.

[0006] The convertible seating and dinette arrangement can include seats that are moveable and convertible to at least three different modes. One of the modes can be a sofa mode wherein the seats are axially aligned, facing in the same direction and adjacent one another alongside ends thereof.

[0007] Another of the modes can be a recliner mode wherein the seats are aligned with one another and facing in the same direction, and side ends of the seats are adjacent one another, and at least one of the seats has a seat back, headrest, and/or footrest reclined at an angle from the perpendicular.

[0008] Another of the modes can be a daybed mode wherein the seats are aligned with one another, facing in the same direction, with side ends adjacent one another, and the backrests are reclined to a generally horizontal position.

[0009] Another of the modes can have the seats positioned in a dinette mode facing one another with the axes of the seats spaced apart and parallel to one another. The dinette mode can further include a table. The table can be a Murphy style table, moveable between a vertical closed position being stored in a wall and an open use position wherein the table is generally horizontal and located between the seats.

[0010] Yet another mode of the convertible seating and dinette arrangement can be an alternate dinette mode wherein axes of the seats are pivoted to be at an angle to one another and the table.

[0011] An additional mode of the convertible seating and dinette arrangement can be a chaise lounge mode such that the seats are facing one another and front edges of the seat bottoms are adjacent one another. In the chaise lounge mode, at least one of the backrests can be in an approximately horizontal position and the other backrest can be at an angle to the vertical. The chaise lounge mode can include footrests that are adjacent one another and support front ends of the seat bottoms.

[0012] The convertible seating and dinette arrangement may also include at least one removable armrest and may have at least one outer armrest and an inner armrest located above adjacent side edges of the seats. The armrests may include beverage holders and a storage means.

[0013] In another aspect of the invention, a movable table and wall arrangement is provided that includes a wall; and a table attached at one end thereof to the wall and movable from a closed vertical orientation parallel to the wall to an open horizontal orientation perpendicular to the wall.

[0014] The wall may include a recess for receiving the table in the closed vertical position. The table may include projections extending from sides thereof and the wall may include slots for receipt of the projections, wherein the projections can move up or down in the slots as the table is moved between the closed vertical position and the open horizontal position.

[0015] The movable table and wall arrangement may also include at least one support attached to the wall and to the table. The support can be pivotally connected to the wall at a bottom end of the recess and to a bottom side of the table.

[0016] The movable table and wall arrangement can further include a leg support extending between a bottom side of the table and a surface below the table.

BRIEF DESCRIPTION OF THE DRAWINGS

[0017] The above-mentioned and other features and objects of this invention and the manner of obtaining them will become more apparent and the invention itself will be better understood by reference to the following description of embodiments of the present invention taken in conjunction with the accompanying drawings, wherein:

[0018] FIG. 1 is a perspective view of one embodiment of a convertible seating and dinette arrangement of the subject invention shown in a sofa mode;

[0019] FIG. 2 is a plan view of the convertible seating and dinette arrangement in the sofa mode with a footrest elevated;

[0020] FIG. 3 is a perspective view of the convertible seating and dinette arrangement in a recliner mode showing a section of the sofa back reclined with the footrest down;

[0021] FIG. 4 is a plan view of the convertible seating and dinette arrangement of FIG. 3 in the recliner mode;

[0022] FIG. 5 is perspective view of the convertible seating and dinette arrangement in a daybed mode with all cushions in a flat position;

[0023] FIG. 6 is a plan view of the convertible seating and dinette arrangement in the daybed mode;

[0024] FIG. 7 is a perspective view of the convertible seating and dinette arrangement in a dinette mode and with the table in a closed or non-use position;

[0025] FIG. 8 is a perspective view of the convertible seating and dinette arrangement in the dinette mode with the table in an open or use position;

[0026] FIG. 9 is another perspective view of the convertible seating and dinette arrangement in the dinette mode with the table open;

[0027] FIG. 10 is a plain view of the convertible seating and dinette arrangement in the dinette mode with the table in the open position;

[0028] FIG. 11 is a perspective view of the convertible seating and dinette arrangement in an alternate dinette mode with seats at an angle to the table;

[0029] FIG. 12 is a plan view of the convertible seating and dinette arrangement in the alternate dinette mode;

[0030] FIG. 13 is a perspective view of the convertible seating and dinette arrangement in a chaise lounge mode;

[0031] FIG. 14 is a plan view of the convertible seating and dinette arrangement in the chaise lounge mode;

[0032] FIG. 15 is a plan view of the seats showing movement one of the seats undergoes in changing between the various modes;

[0033] FIG. 16 is an enlarged perspective view of the table in the closed or non use position;

[0034] FIG. 17 is an enlarged side perspective view of the table being moved from the closed position to the open use position;

[0035] FIG. 18 is an enlarged side perspective view of the table in the open or use position;

[0036] FIG. 19 is an enlarged side perspective view of the Murphy table in the open or use position and supported by a leg brace;

[0037] FIG. 20 is a perspective view of an alternate embodiment of a convertible seating and dinette arrangement of the subject invention shown in a forward mode and armrests on one seat in an elevated position;

[0038] FIG. 21 is a perspective view of the convertible seating and dinette arrangement of FIG. 20 in the forward mode with the arm rests of the seats in a down position;

[0039] FIG. 22 is a perspective view of the convertible seating and dinette arrangement of FIG. 21 in the forward mode with one of the seats in a reclined position and the foot rest and arm rests in an elevated position;

[0040] FIG. 23 is a perspective view of the convertible seating and dinette arrangement of FIG. 21 in the forward mode with one of the seats in a reclined position and the foot rest in an elevated position, but the arm rests in a down position;

[0041] FIG. 24 is a perspective view of the convertible seating and dinette arrangement of FIG. 21 in an angled mode with arm rests of one seat in an elevated position;

[0042] FIG. 25 is a perspective view of the convertible seating and dinette arrangement of FIG. 21 in the angled mode with the arm rests in a down position;

[0043] FIG. 26 is a perspective view of the convertible seating and dinette arrangement of FIG. 21 with the seats in the angled mode with one of the seats in the reclined position with the foot rest and arm rests in the elevated position;

[0044] FIG. 27 is a perspective view of the convertible seating and dinette arrangement of FIG. 21 in an angled mode and one seat in the reclined position with the foot rest in the elevated position, but the arm rests in the down position;

[0045] FIG. 28 is a perspective view of the convertible seating and dinette arrangement of FIG. 21 shown in a dinette

mode with the arm rests of one seat in an elevated position, but a Murphy dining table in a stored position;

[0046] FIG. 29 is a perspective view of the convertible seating and dinette arrangement of FIG. 21 in the dinette mode with the seats in an upright position and the arm rests in a down position and the Murphy table in the stored position;

[0047] FIG. 30 is another perspective view of the convertible seating and dinette arrangement of FIG. 21 in the dinette mode with the seats in the upright position, the arm rests down, and the Murphy table in a stored position;

[0048] FIG. 31 is a perspective view of the convertible seating and dinette arrangement of FIG. 21 in the dinette mode with the Murphy table in a use position and a door to the table storage compartment open;

[0049] FIG. 32 is a perspective view of the convertible seating and dinette arrangement of FIG. 21 in the dinette mode with the Murphy table in a use position and the door to the table storage compartment closed;

[0050] FIG. 33 is a perspective view of the convertible seating and dinette arrangement of FIG. 21 with the seats in the angled mode and the Murphy table in a use position;

[0051] FIG. 34 is a perspective view of the convertible seating and dinette arrangement of FIG. 21 with the seats in a forward position and seat backs folded down to provide a bed mode;

[0052] FIG. 35 is a schematic plan view of the seat frames and pivoting mechanisms with the seats in the forward mode;

[0053] FIG. 36 is a schematic plan view of the seat frames and pivoting mechanisms shown with the seats in the dinette mode; and

[0054] FIG. 37 is a schematic plan view of the seat frames and pivoting mechanisms shown with the seats in the angled mode.

[0055] Corresponding reference characters indicate corresponding parts throughout the several views. Although the drawings represent embodiments of the present invention, the drawings are not necessarily to scale and certain features may be exaggerated in order to better illustrate and explain the present invention. The exemplification set out herein illustrates embodiments of the invention, and such exemplifications are not to be construed as limiting the scope of the invention in any manner.

DETAILED DESCRIPTION OF EMBODIMENTS OF THE INVENTION

[0056] For the purposes of promoting an understanding of the principles of the invention, reference will now be made to the embodiments illustrated in the drawings, which are described below. It will nevertheless be understood that no limitation of the scope of the invention is thereby intended. The invention includes any alterations and further modifications in the illustrated devices and described methods and further applications of the principles of the invention, which would normally occur to one skilled in the art to which the invention relates.

[0057] Referring now to FIG. 1, a convertible seating and dinette arrangement is shown generally indicated as 10. Arrangement 10 is designed to be converted into multiple modes in order to maximize the living quarter space in which it is contained to allow for a variety of uses.

[0058] In FIGS. 1 and 2, arrangement 10 is shown in a sofa mode generally indicated as 12. Arrangement 10 includes a pair of seats, generally indicated as 14 and 16. Seats 14 and 16 are shown placed in front of a wall 18, which forms part of a

living quarters, such as in a recreational vehicle or boat, for example. Seats **14** and **16** each include a base or foundation **20**, a seat bottom **22**, a foot portion or rest **24**, and a back portion or rest **26**. In the embodiment shown, seat **16** also includes a head portion or rest **28** extending upward from back portion **26**.

[0059] It should be appreciated that foundations **20** can be mounted on a frame to allow sliding and pivotal movement using known frame members. The movement may be done manually or through motorized means. Alternately, it should be appreciated that foundations **20** may just be placed on the floor of the living quarters and manually moved to position. In the sofa position shown in FIGS. **1** and **2**, base portions **20** of seats **14** and **16** are axially aligned with one another "A" so that seats **14** and **16** face outward in the same direction from wall **18** and are adjacent one another to form a sofa as shown. In the embodiment shown, footrest **24** of seat **16** is movable from a position adjacent base **20** to an elevated position at an angle to seat bottom **22** as shown in FIGS. **1** and **2** to allow a user to elevate their feet while sitting in seat **16**. Of course, footrest **24** on seat **14** may also be elevatable.

[0060] In the embodiment shown, arrangement **10** may also include a removable outer armrest **30** and intermediate armrest **32**. The armrest may be temporarily attached using hook and loop fasteners or other well-known means of temporary attachment. Armrest **32** is shown including cup holders **34**, which may also be included on armrest **30**. It should be appreciated that the arrangement and number of cup holders may be varied and that the armrests may also include a pouch or a compartment for storing such items as a remote control or magazines. It should be further appreciated that an armrest may also be provided on the outside of seat **14**.

[0061] Now referring to FIGS. **3** and **4** convertible seating and dinette arrangement **10** is shown in a recliner mode, generally indicated as **112**. In recliner mode **112**, base portions **20** are set in the same position as in the sofa mode with the base portions being axial aligned to have seats **14** and **16** together and facing outwardly from wall **18**. However, backrests **26** have been reclined backwards as well as headrest **28** to allow a user to also recline backwards. Additionally, footrest **24** on seat **16** has been further elevated to an approximately horizontal position to allow greater elevation of a user's feet. It should also be appreciated, that should it be desired to allow additional room for reclining backrests **26** and headrest **28**, base members **20** may be slid farther outward from wall **18**.

[0062] Now referring to FIGS. **5** and **6**, the convertible seating and dinette arrangement **10** is shown in a daybed mode, generally indicated as **212**. In daybed mode **212**, foundations **20** are also kept aligned with one another so that seats **14** and **16** face in the same direction and are adjacent one another; however, foundations **20** are slid out farther from wall **18** to allow backrests **26** to be positioned horizontally and in the same plane as seat bottoms **22** to form a flat bed surface. Note, in the embodiment shown, headrest **28** has been removed from seat **16**; however, headrest **28** may also alternately be pivoted up for use as a pillow or rest adjacent wall **18**. It should also be appreciated that headrest **28** may be folded downward to provide additional support to backrest **28**. Also, brackets or other supports may be mounted to wall **18** or to the floor for supporting backrests **26** in the daybed mode.

[0063] Now referring to FIGS. **7-10**, the convertible seating and dinette arrangement **10** is shown in a dinette mode, gen-

erally indicated as **312**. In the dinette mode, foundations **20** are pivoted 90 degrees to face one another so that seats **14**, **16** are now perpendicular to wall **18** rather than aligned together and facing away therefrom. The axes "A" of seats **14** and **16** are parallel to one another and spaced apart in this mode. In the embodiments shown, arrangement **10** in dinette mode **312** includes a table **340**, which may be a Murphy-style table, and folds up to a non-used or closed position as shown in FIG. **7**, or alternately, lowered as shown in FIGS. **8-10** to provide a table between seats **14** and **16**. In FIGS. **7** and **8**, footrests **24** may be removable and are shown removed from seats **14** and **16**. Alternately, as shown in FIGS. **9** and **10**, footrests **24** may remain in place and adjacent foundations **20**.

[0064] Table **340** may include pins or other alignment means extending from sides of the table at an end **341** that remains attached to wall **18** to allow the back of the table to slide downwardly in slots or tracks in wall **18** from the closed position of FIGS. **7** and **16** to the in-use position in FIGS. **8-10** and **17-19**. Murphy table **340** also includes a vertical leg support for bracing an outer end of table **340** and wall supports **344** to brace the end of table **340** adjacent wall **18**. Wall supports **344** may be pivotally attached to table **344** and/or wall **18**.

[0065] It should also be appreciated that in addition to foundations **20** being rotated 90 degrees toward one another to the position shown in FIG. **7-10**, the foundations may also be translated parallel to wall **18** so that seats **14** and **16** are in the best position for use in dinette mode **312**.

[0066] Now referring to FIGS. **11** and **12**, an alternate dinette mode **412** is shown, generally indicated as **412**. In alternate dinette mode **412**, seats **14** and **16** are rotated on foundations **20** approximately 45 degrees back toward the sofa mode, so that the seats are at an angle to one another and table **340**, rather than parallel to. If desirable, foundations **20** may also be translated parallel to or perpendicular to, or somewhere in between relative to wall **18**.

[0067] Now referring to FIGS. **13** and **14**, convertible seating and dining arrangement **10** is shown, generally indicated as **512** in a chaise lounge mode. In this mode, seats **14** and **16** are facing on another as in dinette mode **312**; however, either the foundations **20** are moved closer to one another or seat bottoms **22** are moved relative to foundations **20** so that the leading edges of seat portions **22** abut one another as shown in the figures. In this mode, footrests **24** may serve as supports for the central portion of the seats between foundations **20**. Furthermore, backrest **26** of seat **14** is folded down to a horizontal inclination and is parallel to and aligned with bottom portion **22** of seat **14**. Backrest **26** and headrest **28** of seat **16** are shown at an angled or inclined position where a user's head and shoulders would rest slightly raised. It should be appreciated that the angle of inclination of backrest **26** and headrest **28** may be adjustable by the user.

[0068] Now referring to FIG. **15**, seats **14** and **16** are shown in a plan view as would coincide with dinette mode **312**. Additionally, outline movements are shown for seat **14**, generally indicated as M, as seat **14** would move and rotate between various modes. Having the movement M, frames for the seats can readily be positioned to accomplish the movement.

[0069] Now referring to FIGS. **20-23**, an alternate embodiment convertible seating and dinette arrangement is shown generally indicated as **110**. In FIGS. **20-23**, convertible seating and dinette arrangement **110** is shown in a forward mode, generally indicated as **112(a)**, which coincides with the gen-

eral seating position of convertible seating and dinette arrangement **10** in the sofa mode **12**/recliner mode **112**. Seating and dinette arrangement **110** includes a pair of seats, generally indicated as **114** and **116**, respectively. Seats **114** and **116** are shown placed in front of a wall **118**, which forms a part of the living quarters, such as in recreational vehicle or boat, for example. Seats **114** and **116** each include a base or foundation **120**, a seat bottom **122** and a back portion or rest **126**. Seat **114** also includes an extendable foot rest **124**, a head rest **128**, and moveable arm rests **130** having pivoting arms **132**.

[0070] Foundations **120** are mounted on frames **136**, which are connected to a pivoting mechanism **138** as best shown in FIGS. **35-37** and discussed further below. In FIGS. **20** and **21**, seat back portions **126** are in an upright position and foot rest **124** is in the lowered or non-extended position. However, in FIG. **20**, pivoting arm rests **130** are shown pivoted to an upward or elevated position as pivoted on pivoting arms **132**, while in FIG. **21**, pivoting arms **130** have been lowered or pivoted to a down position. In FIG. **22**, arm rests **130** are pivoted to the upward or elevated position. Additionally, seat back **126** of seat **114** is reclined and foot rest **124** is extended on an extending mechanism **125**. In FIG. **23**, seat back portion **126** is reclined and foot rest **124** is elevated; however, arm rests **130** have been pivoted to a lowered or down position.

[0071] Referring now to FIGS. **24-27**, seats **114** and **116** have been pivoted on pivoting mechanisms **138** to an angled mode, general indicated as **412a**. Otherwise, seat **114** is shown in the same positions regarding reclining or non-reclining of the back rest, the arm rests, and foot rest in FIGS. **24-27** as FIGS. **20-23**, respectively.

[0072] Now referring to FIGS. **28-32**, seats **114** and **116** have been pivoted on pivoting mechanism **138** to face one another in a dinette mode, generally indicated as **312a**. In FIG. **28**, arm rests **130** of seat **114** are shown elevated on pivoting arms **132**. Additionally, a Murphy table is in a stored position behind a door **346** and contained in a table storage compartment **348**. In FIGS. **29** and **30**, the Murphy table is still in a stored position; however, arm rests **130** have been pivoted to a down position on pivoting arms **132**.

[0073] FIG. **31** shows a Murphy table **34a** being moved to a use position. In this figure, door **346** is shown open so that storage compartment **348** is visible and table **340a** has been moved to a horizontal use position. Table **340a** is supported by a leg brace **342a**.

[0074] In FIG. **32**, door **346** has been closed, and seats **114** and **116** face each other for easy ready use in the dinette mode **312a**. Now referring to FIG. **33**, Murphy table **340a** is still in the use position; however, seats **114** and **116** are shown pivoted to the angled mode **412a**. This allows the use of the table while the seats have a partial forward position that would be particularly suitable for such activities as viewing a television while having food or beverages on table **340a**.

[0075] Now referring to FIG. **34**, Murphy table **340a** has been pivoted up and restored into storage compartment **348**, and seats **114** and **116** have been pivoted all the way forward. Additionally, seat back portions **126** have been pivoted downward so that the backs thereof are positioned horizontally. It should be appreciated that seat bottoms **122** and/or head rest portion **128** may be removed from pivoting seats **114** and **116** for this position, which creates a bed mode **612**. An additional support and/or cushions (not shown) may be placed upon the backs of seat back portions **126** to enhance bed mode **612** and

make more comfortable for sleeping. Seat bottoms **122** may also be placed on the backs of seat back portions **126** for cushioning purposes.

[0076] Now referring to FIGS. **35-37**, schematic diagrams are shown of pivoting mechanism **138** and how frames **136** of seats **114** and **116** pivot between the various positions/modes discussed above. In particular, pivoting mechanisms **138** include a pivoting roller **139** received in frames **136** and about which seats **114** and **116** rotate or pivot on. As should be appreciated, an indexing or locking feature (such as a biased spring plunger or detent) can be used to keep chairs **114** and **116** oriented in the desired position, until it is desired to further rotate or pivot the seats.

[0077] While the invention has been taught with specific reference to these embodiments, one skilled in the art will recognize that changes can be made in form and detail without departing from the spirit and scope of the invention. For example, any of the features in any of the embodiments or modes may be interchanged. Therefore, the described embodiments are to be considered, therefore, in all respects only as illustrative and not restrictive. As such, the scope of the invention is indicated by the following claims rather than by the description.

1. A convertible seating and dinette arrangement including: moveable and adjustable first and second seats; each seat including a base, a seat bottom, and a backrest; and wherein each base is configured for pivotal movement to adjust between various modes.
2. The convertible seating and dinette arrangement as set forth in claim 1, further including a footrest attached to at least one of the seats.
3. The convertible seating and dinette arrangement as set forth in claim 2 wherein the footrest is adjustable between a position perpendicular to a floor in which the seats are located to an elevated position where a bottom end of the footrest is away from the floor.
4. The convertible seating and dinette arrangement as set forth in claim 2 wherein the footrest supports an end of the seat bottom to which it is attached.
5. The convertible seating and dinette arrangement as set forth in claim 1 wherein the seats are moveable and convertible to at least three different modes.
6. The convertible seating and dinette arrangement as set forth in claim 5 wherein one of the modes is a sofa mode wherein the seats are axially aligned, facing in the same direction and adjacent one another alongside ends thereof.
7. The convertible seating and dinette arrangement as set forth in claim 5, wherein one of the modes includes a recliner mode wherein the seats are aligned with one another and facing in the same direction, and side ends of the seats are adjacent one another, and at least one of the seats has a seat back, headrest, and/or footrest reclined at an angle from the perpendicular.
8. The convertible seating and dinette arrangement as set forth in claim 5, wherein one of the modes includes a daybed mode wherein the seats are aligned with one another, facing in the same direction, with side ends adjacent one another, and the backrests are reclined to a generally horizontal position.
9. The convertible seating and dinette arrangement as set forth in claim 5, wherein the seats are positioned in a dinette mode facing one another with the axes of the seats spaced apart and parallel to one another.

10. The convertible seating and dinette arrangement as set forth in claim **9**, further including a table for use in the dinette mode.

11. The convertible seating and dinette arrangement as set forth in claim **10**, wherein the table is a Murphy style table, moveable between a vertical closed position in a wall and an open use position wherein the table is generally horizontal and located between the seats.

12. The convertible seating and dinette arrangement as set forth in claim **5**, further including an alternate dinette mode wherein axes of the seats are pivoted to be at an angle to one another and the table.

13. The convertible seating and dinette arrangement as set forth in claim **5**, wherein the arrangement includes a chaise lounge mode such that the seats are facing one another and front edges of the seat bottoms are adjacent one another.

14. The convertible seating and dinette arrangement as set forth in claim **13**, wherein at least one of the backrests is in approximately horizontal position and the other backrest is at an angle to the vertical.

15. The convertible seating and dinette arrangement as set forth in claim **14**, including footrests that are adjacent one another and support front ends of the seat bottoms.

16. A movable table and wall arrangement including:
a wall; and

a table attached at one end thereof to the wall and movable from a closed vertical orientation parallel to the wall to an open horizontal orientation perpendicular to the wall.

17. A movable table and wall arrangement as set forth in claim **16** wherein the wall includes a recess for receiving the table in the closed vertical position.

18. A movable table and wall arrangement as set forth in claim **17** wherein the table includes projections extending from sides thereof and the wall includes slots for receipt of the projections, and the projections move up or down in the slots as the table is moved between the closed vertical position and the open horizontal position.

19. A movable table and wall arrangement as set forth in claim **18** further including at least one support attached to the wall and to the table wherein the support is pivotally connected to the wall at a bottom end of the recess and to a bottom side of the table.

20. A movable table and wall arrangement as set forth in claim **19** further including a leg support extending between a bottom side of the table and a surface below the table.

* * * * *