



(51) International Patent Classification:

E21B 47/01 (2012.01) G01L 1/10 (2006.01)
E21B 47/12 (2012.01) G01M 5/00 (2006.01)

(21) International Application Number:

PCT/US2023/066092

(22) International Filing Date:

21 April 2023 (21.04.2023)

(25) Filing Language:

English

(26) Publication Language:

English

(30) Priority Data:

63/363,328 21 April 2022 (21.04.2022) US

(71) Applicants: **CHEVRON U.S.A. INC.** [US/US]; P.O. Box 6006, San Ramon, CA 94583 (US). **CRP SUBSEA LIMITED** [GB/GB]; Stanley Way, Skelmersdale, Lancashire WN8 8EA (GB).

(72) Inventors: **CRITSINELIS, Antonio, C.F.**; P.O. Box 6006, San Ramon, CA 94583 (US). **VAN DER HORST, Menno**; P.O. Box 6006, San Ramon, CA 94583 (US). **MCNEALY, Richard**; P.O. Box 6006, San Ramon, CA 94583 (US). **MEBARKIA, Sid**; P.O. Box 6006, San Ramon, CA 94583 (US). **CONSTANTINIDES, Yiannis**; P.O. Box 6006, San Ramon, CA 94583 (US). **TANJU, Baha, Tulu**; P.O. Box 6006, San Ramon, CA 94583 (US). **HARBISON, Austin**; Stanley Way, Skelmersdale, Lancashire, Great Britain WN8 8EA (GB).

(74) Agent: **NEUFELD, Robert, T.**; King & Spalding LLP (Chevron), Attn: IP Docketing, 1180 Peachtree St., Suite 4100, Atlanta, GA 30309 (US).

(81) Designated States (unless otherwise indicated, for every kind of national protection available): AE, AG, AL, AM, AO, AT, AU, AZ, BA, BB, BG, BH, BN, BR, BW, BY, BZ, CA, CH, CL, CN, CO, CR, CU, CV, CZ, DE, DJ, DK, DM, DO, DZ, EC, EE, EG, ES, FI, GB, GD, GE, GH, GM, GT, HN, HR, HU, ID, IL, IN, IQ, IR, IS, IT, JM, JO, JP, KE, KG,

(54) Title: MAGNETIC INSPECTION AND MONITORING DEVICE FOR A PIPE

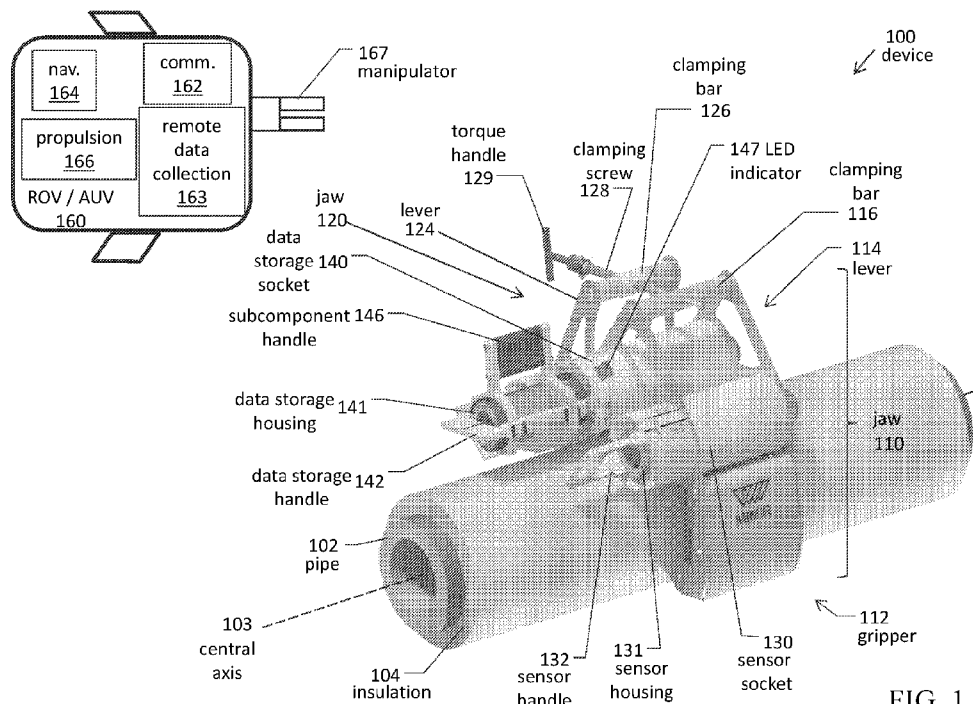


FIG. 1

(57) Abstract: A pipe inspection device includes a magnetometer for detecting magnetic field measurements associated with a characteristic of a wall of an subsea pipe. The magnetometer can detect environmental magnetic fields as well as magnetic fields generated in response to a magnetic field applied to the pipe. The magnetic field measurements can indicate defects and changes in defects over time in the wall of the pipe caused by erosion or corrosion. Changes in magnetic field measurements over time can provide an indication of changes in pipe wall characteristics. After detecting and storing the magnetic field measurements, the pipe inspection device can be moved to another location on the pipe to gather additional measurements.



KH, KN, KP, KR, KW, KZ, LA, LC, LK, LR, LS, LU, LY,
MA, MD, MG, MK, MN, MU, MW, MX, MY, MZ, NA,
NG, NI, NO, NZ, OM, PA, PE, PG, PH, PL, PT, QA, RO,
RS, RU, RW, SA, SC, SD, SE, SG, SK, SL, ST, SV, SY, TH,
TJ, TM, TN, TR, TT, TZ, UA, UG, US, UZ, VC, VN, WS,
ZA, ZM, ZW.

- (84) Designated States** (*unless otherwise indicated, for every kind of regional protection available*): ARIPO (BW, CV, GH, GM, KE, LR, LS, MW, MZ, NA, RW, SC, SD, SL, ST, SZ, TZ, UG, ZM, ZW), Eurasian (AM, AZ, BY, KG, KZ, RU, TJ, TM), European (AL, AT, BE, BG, CH, CY, CZ, DE, DK, EE, ES, FI, FR, GB, GR, HR, HU, IE, IS, IT, LT, LU, LV, MC, ME, MK, MT, NL, NO, PL, PT, RO, RS, SE, SI, SK, SM, TR), OAPI (BF, BJ, CF, CG, CI, CM, GA, GN, GQ, GW, KM, ML, MR, NE, SN, TD, TG).

Published:

— *with international search report (Art. 21(3))*

- (88) Date of publication of the international search report:**

21 December 2023 (21.12.2023)

INTERNATIONAL SEARCH REPORT

International application No.

PCT/US 23/66092

A. CLASSIFICATION OF SUBJECT MATTER
 IPC - INV. E21B 47/01, E21B 47/12 (2023.01)
 ADD. G01L 1/10, G01M 5/00 (2023.01)

 CPC - INV. E21B 47/007, E21B 47/01, G01L 3/1435

 ADD. G01M 5/0025, G01M 5/0058
 According to International Patent Classification (IPC) or to both national classification and IPC

B. FIELDS SEARCHED

Minimum documentation searched (classification system followed by classification symbols)
 See Search History document

Documentation searched other than minimum documentation to the extent that such documents are included in the fields searched
 See Search History document

Electronic data base consulted during the international search (name of data base and, where practicable, search terms used)
 See Search History document

C. DOCUMENTS CONSIDERED TO BE RELEVANT

Category*	Citation of document, with indication, where appropriate, of the relevant passages	Relevant to claim No.
Y --- A	WO 2021/161025 A1 (Trelleborg Offshore UK Ltd) 19 August 2021 (19.08.2021), entire document, especially Fig. 1-3, page 4 ln. 26-28, page 5 ln. 2, page 6 ln. 8-9, 23, 26, page 7 ln. 19-21, page 8 ln. 11-12, page 11 ln. 2-4, page 12 ln. 21	1, 4-6, 9, 11-13, 17-18, 20
Y --- A	US 2021/0115780 A1 (WFS Technologies Limited) 22 April 2021 (22.04.2021), entire document, especially Fig. 1-3, para [0018], [0020], [0021], [0039]	2-3, 7-8, 10, 14-16, 19
A	US 2019/0376859 A1 (Oil States Industries Inc) 12 December 2019 (12.12.2019), entire document	1, 4-6, 9, 11-13, 17-18, 20
A	US 2014/0174752 A1 (General Electric Company) 26 June 2014 (26.06.2014), entire document	2-3, 7-8, 10, 14-16, 19
A	WO 2020/037388 A1 (Monflex Tec Engenharia De Intergridade Ltda) 27 February 2020 (27.02.2020), entire document	1-20
		1-20
		1-20

Further documents are listed in the continuation of Box C. See patent family annex.

* Special categories of cited documents:
 "A" document defining the general state of the art which is not considered to be of particular relevance
 "D" document cited by the applicant in the international application
 "E" earlier application or patent but published on or after the international filing date
 "L" document which may throw doubts on priority claim(s) or which is cited to establish the publication date of another citation or other special reason (as specified)
 "O" document referring to an oral disclosure, use, exhibition or other means
 "P" document published prior to the international filing date but later than the priority date claimed
 "T" later document published after the international filing date or priority date and not in conflict with the application but cited to understand the principle or theory underlying the invention
 "X" document of particular relevance; the claimed invention cannot be considered novel or cannot be considered to involve an inventive step when the document is taken alone
 "Y" document of particular relevance; the claimed invention cannot be considered to involve an inventive step when the document is combined with one or more other such documents, such combination being obvious to a person skilled in the art
 "&" document member of the same patent family

Date of the actual completion of the international search 11 July 2023	Date of mailing of the international search report AUG 24 2023
---	--

Name and mailing address of the ISA/US Mail Stop PCT, Attn: ISA/US, Commissioner for Patents P.O. Box 1450, Alexandria, Virginia 22313-1450 Facsimile No. 571-273-8300	Authorized officer Kari Rodriguez Telephone No. PCT Helpdesk: 571-272-4300
---	--