



US011739915B2

(12) **United States Patent**
Cerce et al.

(10) **Patent No.:** **US 11,739,915 B2**

(45) **Date of Patent:** **Aug. 29, 2023**

(54) **LED BOARD MOUNTING SYSTEM FOR A LIGHT FIXTURE**

(58) **Field of Classification Search**
CPC .. F21V 19/003; F21V 19/0045; H05K 1/0275
See application file for complete search history.

(71) Applicant: **Industrial Lighting Products, LLC**,
Sanford, FL (US)

(56) **References Cited**

(72) Inventors: **Dominick Cerce**, Sanford, FL (US);
Saturnino Oquendo, Jr., Orlando, FL (US)

U.S. PATENT DOCUMENTS

(73) Assignee: **Industrial Lighting Products, LLC.**,
Sanford, FL (US)

6,215,674 B1 * 4/2001 Bertolami H05K 7/142
439/97

7,517,105 B2 4/2009 Sakai
8,154,864 B1 4/2012 Nearman et al.
8,319,433 B2 11/2012 Lin et al.

(*) Notice: Subject to any disclaimer, the term of this patent is extended or adjusted under 35 U.S.C. 154(b) by 0 days.

(Continued)

FOREIGN PATENT DOCUMENTS

(21) Appl. No.: **17/695,408**

JP 5735439-82 6/2015

(22) Filed: **Mar. 15, 2022**

Primary Examiner — Zheng Song

(65) **Prior Publication Data**

US 2022/0205619 A1 Jun. 30, 2022

(74) *Attorney, Agent, or Firm* — Blank Rome LLP

Related U.S. Application Data

(63) Continuation of application No. 16/985,907, filed on Aug. 5, 2020, now Pat. No. 11,287,113, which is a continuation of application No. 16/460,550, filed on Jul. 2, 2019, now Pat. No. 10,753,584, which is a continuation of application No. 15/450,633, filed on Mar. 6, 2017, now Pat. No. 10,371,358.

(57) **ABSTRACT**

A light board mounting system includes a fixture frame having a planar surface and a plurality of alternating bosses disposed along a length of the fixture frame. The system also includes a light board having a first side and a second side, a plurality of lights disposed along a length of the light board on the first side, and a pair of electrical contacts coupled to the plurality of lights and mounted to the second side of the light board and extending away from the second side. In addition, the light board mounting system includes a first edge and opposing second edge of the light board secured to the planar surface of the fixture frame between the plurality of alternating bosses, the second side of the light board being adjacent to the planar surface of the fixture frame and the pair of electrical contacts extending through the planar surface.

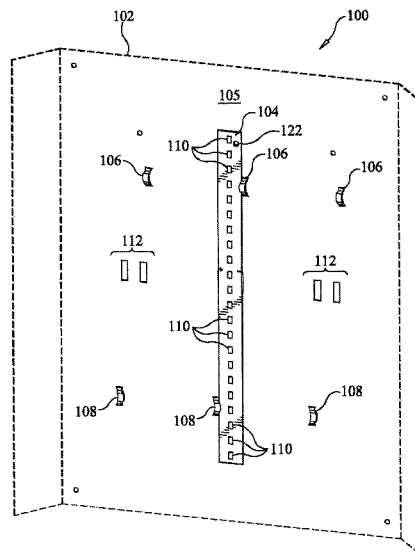
(51) **Int. Cl.**

F21V 19/00 (2006.01)
F21V 23/06 (2006.01)
F21Y 115/10 (2016.01)
F21Y 103/10 (2016.01)

(52) **U.S. Cl.**

CPC **F21V 19/003** (2013.01); **F21V 19/0045** (2013.01); **F21V 23/06** (2013.01); **F21Y 2103/10** (2016.08); **F21Y 2115/10** (2016.08)

18 Claims, 6 Drawing Sheets



(56)

References Cited

U.S. PATENT DOCUMENTS

9,072,171	B2	6/2015	Simon
9,104,065	B2	8/2015	Baba
9,458,995	B1	10/2016	Pearson et al.
9,820,402	B2	11/2017	McCurley
9,861,003	B2	1/2018	DeKeyser
2005/0270671	A1	12/2005	Nousou et al.
2008/0316391	A1	12/2008	Hsiao
2010/0073912	A1	3/2010	Shinozaki et al.
2012/0113628	A1	5/2012	Burrow et al.
2012/0147592	A1	6/2012	Takase
2012/0155073	A1	6/2012	McCanless et al.
2013/0135539	A1	5/2013	Kamala
2013/0278860	A1	10/2013	Choi et al.
2016/0124268	A1	5/2016	Ohtsuka et al.
2017/0034941	A1*	2/2017	McCurley H05K 1/02
2017/0059139	A1*	3/2017	McCanless F21V 19/004
2017/0112009	A1	4/2017	Hall
2017/0190279	A1	7/2017	Bachtrop et al.
2017/0328544	A1	11/2017	Gergely et al.
2018/0135835	A1*	5/2018	Cordell F21V 19/0045
2018/0153018	A1	5/2018	Matsubayahasi et al.

* cited by examiner

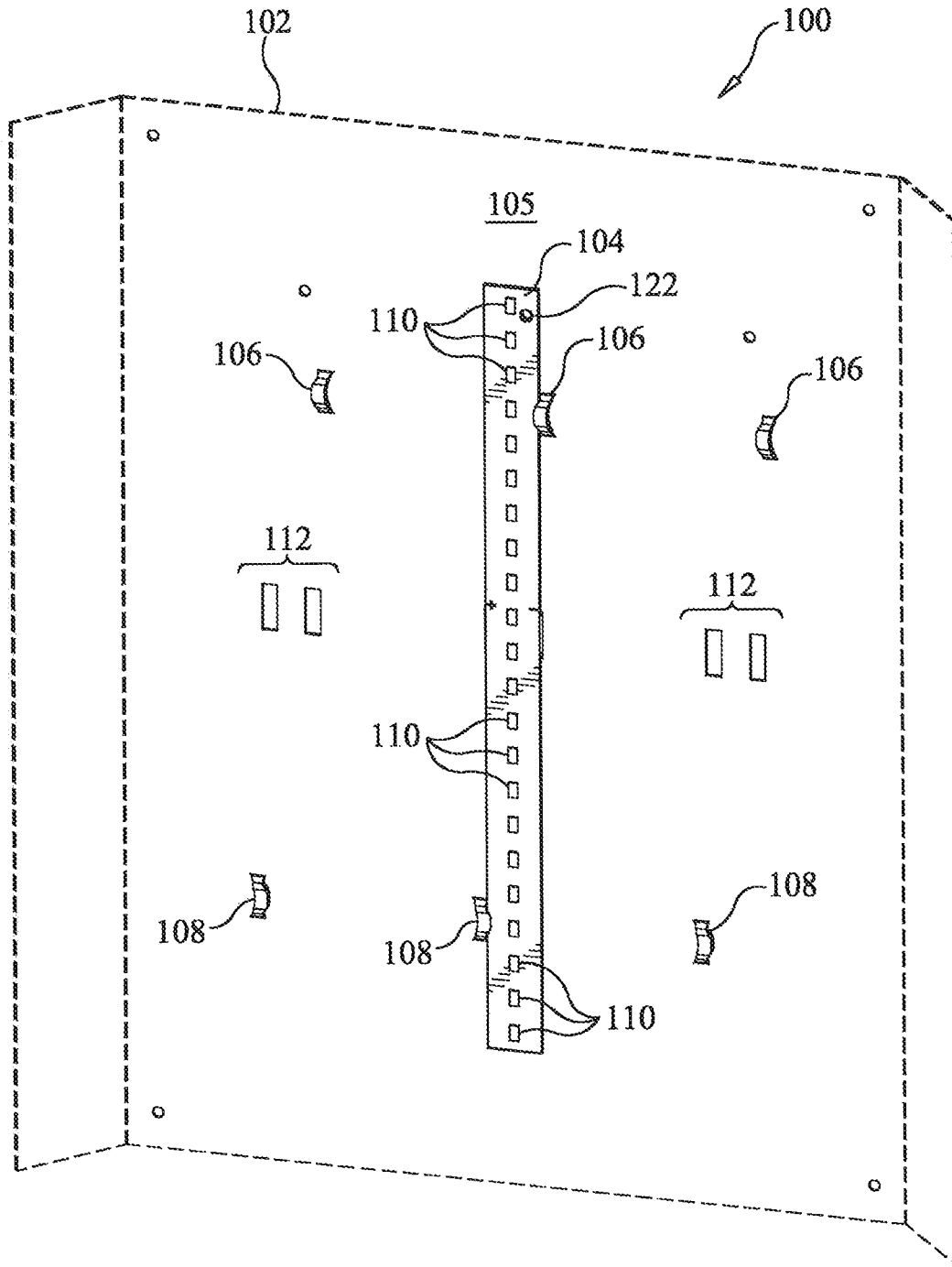


FIG. 1

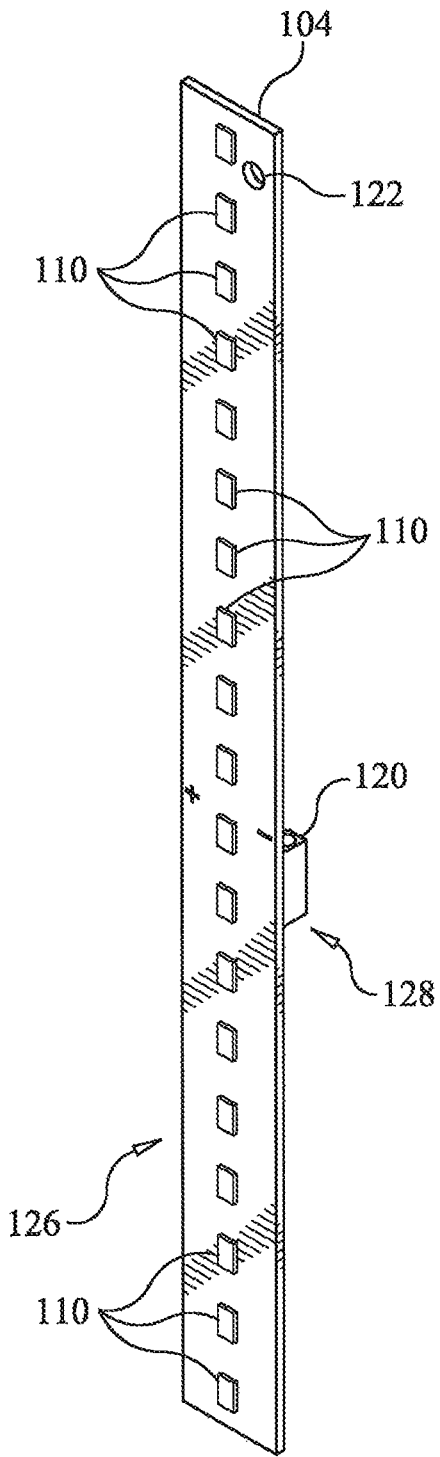


FIG. 2

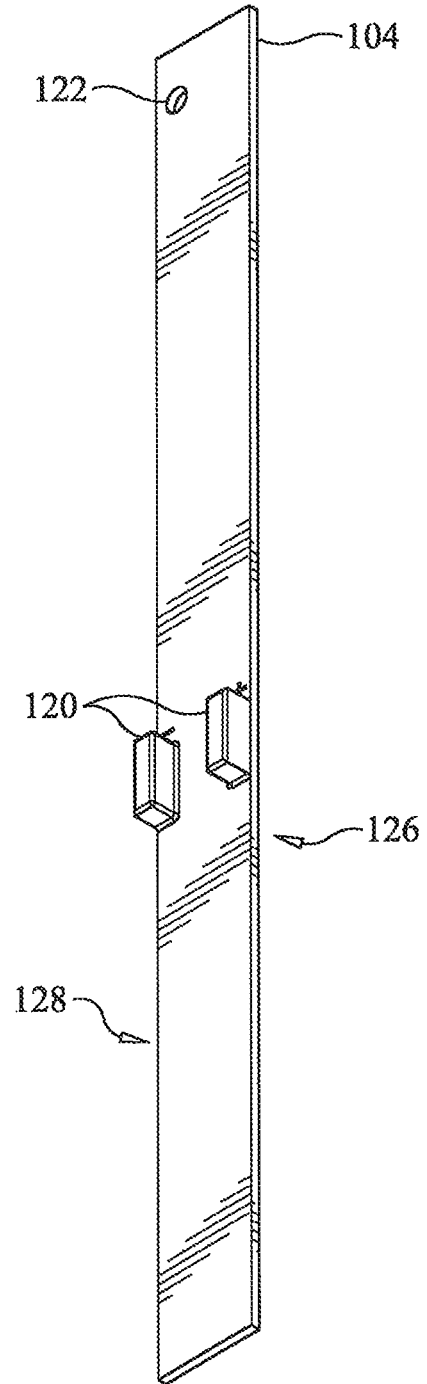


FIG. 3

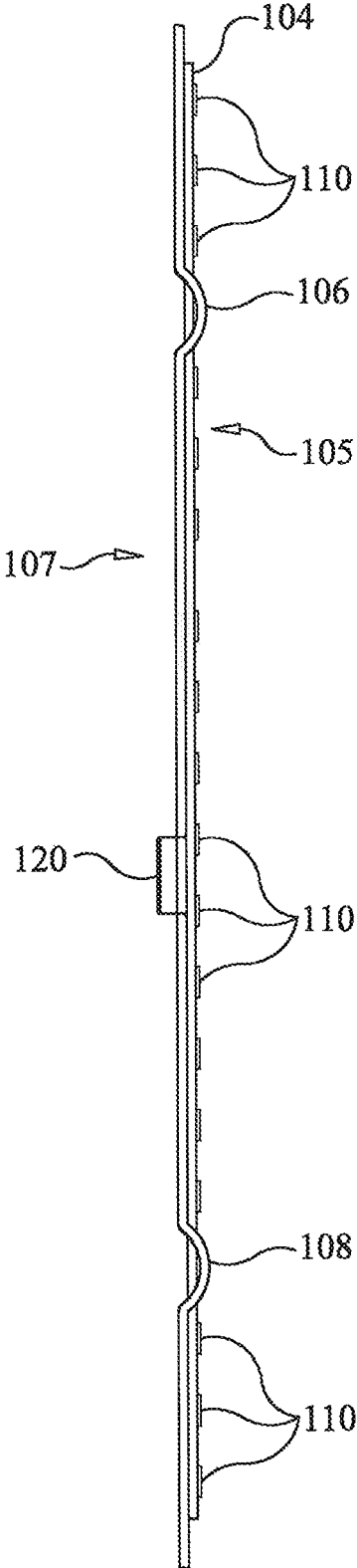


FIG. 4

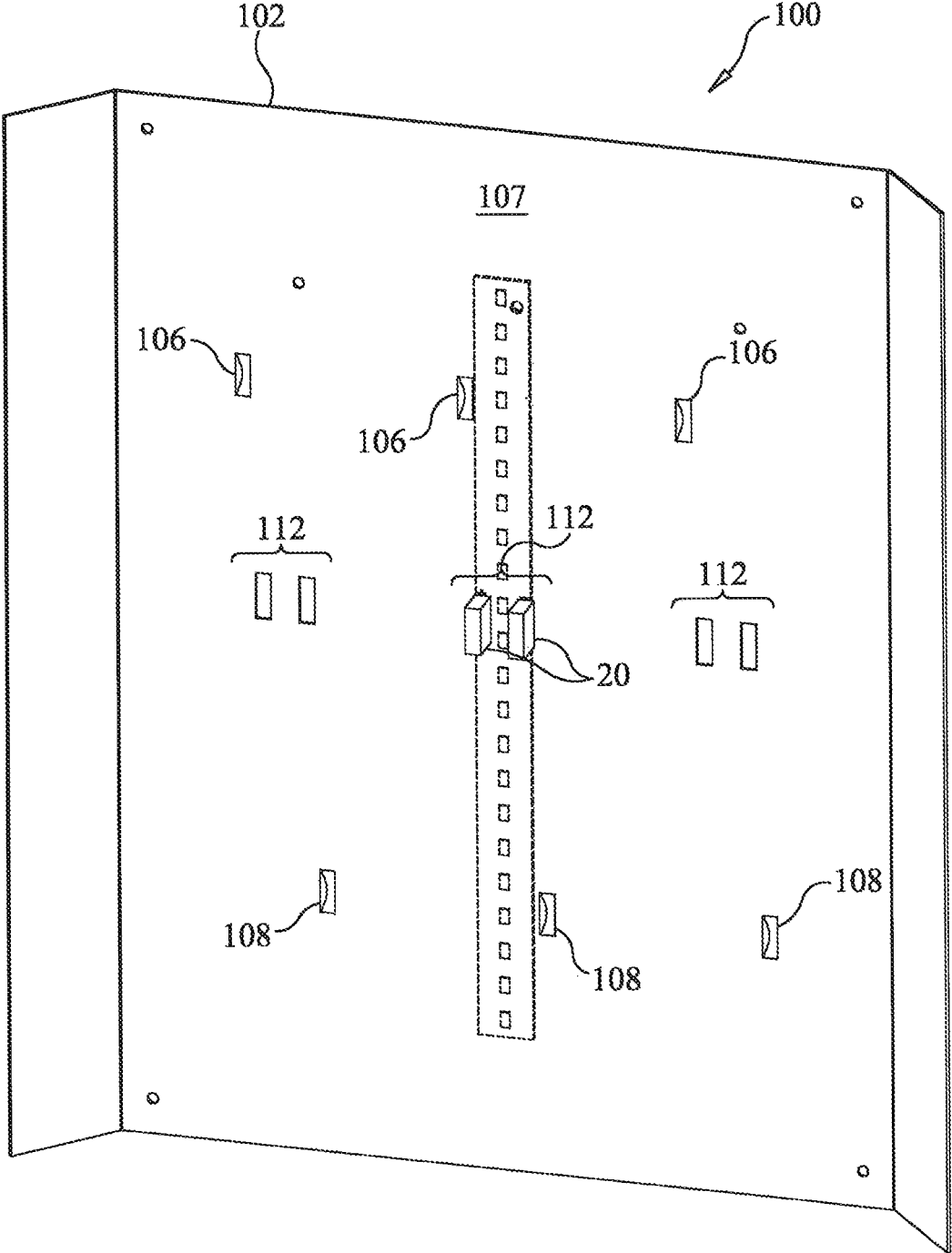


FIG. 5

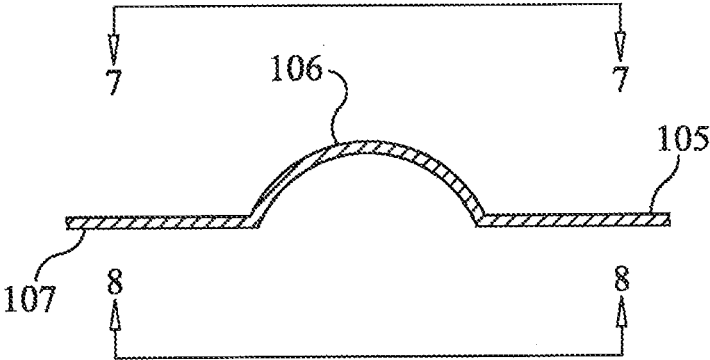


FIG. 6

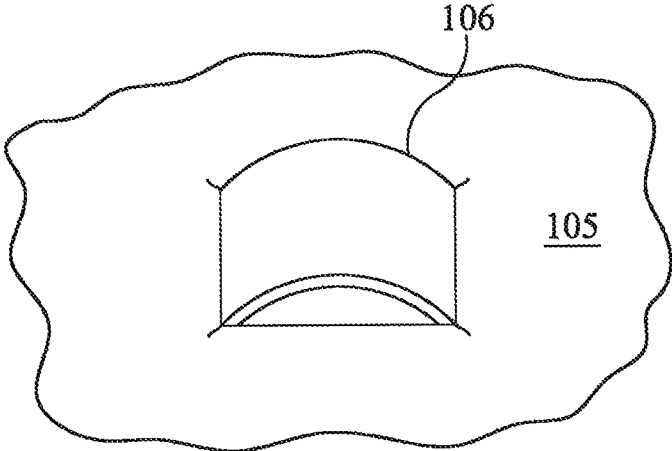


FIG. 7

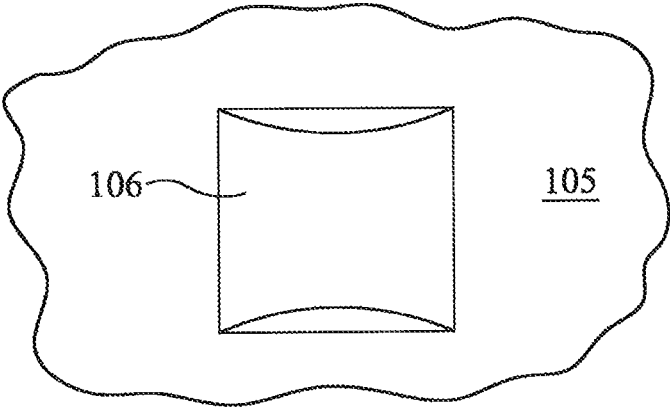


FIG. 8

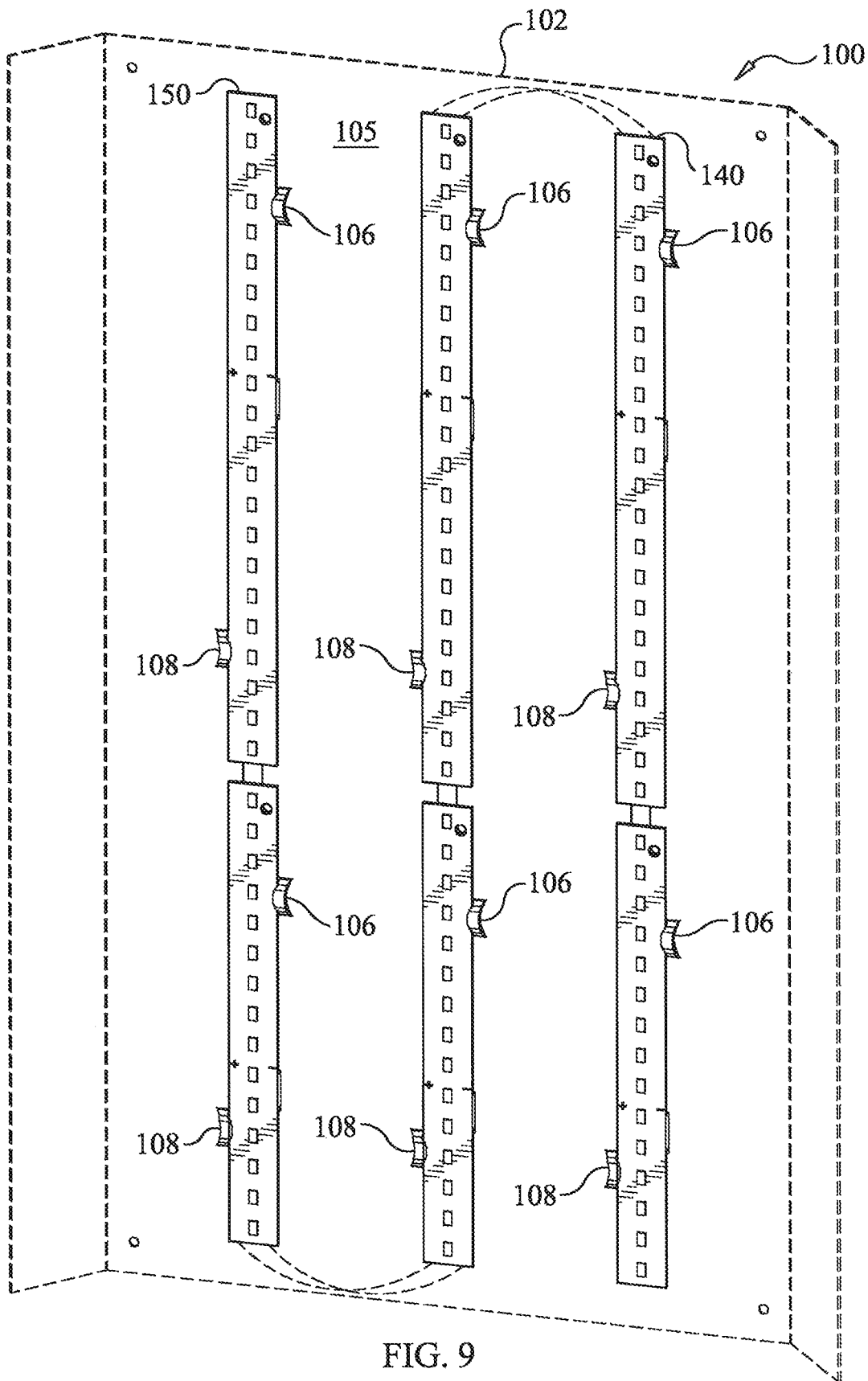


FIG. 9

LED BOARD MOUNTING SYSTEM FOR A LIGHT FIXTURE

CROSS REFERENCE TO RELATED APPLICATION

This application is a continuation of U.S. patent application Ser. No. 16/985,907, filed Aug. 5, 2020, which is a continuation of U.S. patent application Ser. No. 16/460,550, filed Jul. 2, 2019, now U.S. Pat. No. 10,753,584, which issued on Aug. 25, 2020, which is a continuation of U.S. patent application Ser. No. 15/450,633, filed Mar. 6, 2017, now U.S. Pat. No. 10,371,358, which issued on Aug. 6, 2019, each of which are herein incorporated in their entirety by reference.

TECHNICAL FIELD

The present invention relates to the field of light fixtures, and, more particularly, to a light board mounting system for a light fixture and related methods.

BACKGROUND

The fluorescent light bulbs are used in many commercial applications, particularly for indoor office lighting. The fluorescent light fixtures include a troffer with one or more fluorescent light bulbs, where the fluorescent light bulbs have different sizes. For example, common fluorescent lights for use in indoor lighting include the T5 ($\frac{5}{8}$ inch diameter), T8 (1 inch diameter), and the T12 ($1\frac{1}{2}$ inch diameter). Such fluorescent bulbs are relatively inefficient and have a relatively short life. Thus, efforts have been made to identify suitable alternative illumination sources for indoor office lighting applications. Light emitting diodes (“LEDs”) have been identified as one alternative to traditional fluorescent bulbs.

An LED typically includes a diode mounted onto a die or chip. The die is connected to a power source, which, in turn, transmits power to the diode. An LED used for lighting or illumination converts electrical energy to light in a manner that results in little radiant energy outside the visible spectrum.

Efforts have also been made to retrofit fluorescent light fixtures with an LED light fixtures. However, the heat generated by the LED light fixtures may cause problems related to the functions of the LEDs and light fixtures. In particular, the relatively high operating temperatures may degrade the performance of the LED light. For example, typical LED lights have a lifetime of approximately 50,000 hours at room temperature, but can be reduced significantly at higher operating temperatures. Thus, many retrofit LED light fixtures do not provide the anticipated benefits or longer life due to inadequate thermal ventilation and configuration. Therefore, there exists a need for an LED mounting system for a light fixture that is easy to install and includes adequate heat dissipation.

SUMMARY

In view of the foregoing background, it is therefore an object of the present invention to provide an improved LED mounting system for light fixtures.

This and other objects, features, and advantages in accordance with the present invention are provided by an LED board mounting system having a fixture frame with a planar surface, a plurality of alternating bosses disposed along a

length of the planar surface of the fixture frame, and at least one LED board having a first side and a second side. In addition, a plurality of LEDs are disposed along a length of the at least one LED board on the first side, and a pair of electrical contacts are coupled to the plurality of LEDs and mounted to the second side of the at least one LED board and extending away from the second side. In addition, a first edge and an opposing second edge of the at least one LED board is secured to the planar surface of the fixture frame between the plurality of alternating bosses, where the second side of the at least one LED board being adjacent to the planar surface of the fixture frame and the pair of electrical contacts extend through the planar surface.

A method aspect is directed to a method of mounting an LED board to a fixture frame, where the LED board has a plurality of LEDs mounted thereon and a pair of electrical contacts connected thereto. The method includes punching a hole through the planar surface of the fixture frame to form alternating bosses on a first side of the fixture frame. The method also includes aligning a first edge and opposing second edge of the LED board between the plurality of alternating bosses, where the LED board is adjacent to the first side of the planar surface of the fixture frame. In addition, the method includes securing the LED board to the fixture frame, where the pair of electrical contacts extend through the planar surface.

BRIEF DESCRIPTION OF THE DRAWINGS

FIG. 1 is a front perspective view of a LED board mounting system for a light fixture;

FIG. 2 is a front perspective view of an LED board in accordance with an embodiment of the invention;

FIG. 3 is a rear perspective view of the LED board;

FIG. 4 is an elevational view taken in the direction of line 4-4 of FIG. 1;

FIG. 5 is a rear perspective view of the LED board mounting system shown in FIG. 1;

FIG. 6 is an elevational view of a boss formed in a planar surface of the light fixture taken in the direction of line 6-6 of FIG. 5;

FIG. 7 is a top view of the boss shown in FIG. 6 taken in the direction of line 7-7 of FIG. 6;

FIG. 8 is a bottom view of the boss taken in the direction of line 8-8 of FIG. 6; and

FIG. 9 is front perspective view of an embodiment of the LED board mounting system having a plurality of LED boards.

DETAILED DESCRIPTION

The present invention will now be described more fully hereinafter with reference to the accompanying drawings, in which preferred embodiments of the invention are shown. This invention may, however, be embodied in many different forms and should not be construed as limited to the embodiments set forth herein. Rather, these embodiments are provided so that this disclosure will be thorough and complete, and will frilly convey the scope of the invention to those skilled in the art. Like numbers refer to like elements throughout.

Referring initially to FIGS. 1-3, an embodiment of the LED board mounting system **100** for a light fixture **102** in accordance with features of the present invention will be described. The LED board mounting system **100** includes a fixture frame **102** having a planar surface **105**. A plurality of alternating bosses **106**, **108** are disposed along a length of

3

the planar surface **105** of the fixture frame **102**. An LED board **104** is shown mounted to the fixture frame **102** and having a plurality of LEDs **110** disposed along a length of the LED board **104** on a first side. The LEDs **110** are longitudinally aligned along the LED board **104** in a particular embodiment.

A pair of electrical contacts **120** on a second side of the LED board **104** are coupled to the plurality of LEDs **110**. A first edge **126** and opposing second edge **128** of the LED board **104** is secured to the planar surface **105** of the fixture frame **105** between the plurality of alternating bosses **106**, **108**. As shown in FIG. **1**, the second side of the LED board **104** is adjacent to the planar surface **105** of the fixture frame **102** and having the pair of electrical contacts **120** extending through matching apertures **112** formed in the planar surface **105**. The electrical contacts **120** are configured to be connected to a power source in order to power the LEDs **110**.

Referring now to FIG. **4**, the alternating bosses **106**, **108** can be seen protruding from the underside **107** of the planar surface **105** in the form of a band that is formed by punching through the planar surface **105**. The bosses **106**, **108** are orientated to alternate from one edge of the LED board **104** to the opposing second edge **108** in order to secure the LED board **104** to the planar surface **105**. The bosses **106**, **108** are formed from the planar surface **105** using a punching device.

FIG. **5** is a rear view of the LED mounting system **100** and, in particular, shows the underside of the fixture frame **102**. As described above, the electrical contacts **120** are slid through the apertures **120** to the rear of the fixture frame **102**. The electrical connection to a power supply and to other additional LED boards can be made at the underside of the fixture frame **102**. The top side of the fixture frame **102** is orientated so that when installed, the light generated from the LEDs **110** produces visible light for the user as in a typical office environment.

More detailed views of the boss **106** is shown in FIGS. **6-8**. As described above, the fixture frame **102** includes a topside planar surface **105** and a bottom side planar surface **107**. A mechanical punch is used to force a portion of the planar surface **105** upwards and away to form a generally curved, or band, portion (i.e., the boss **106**) that protrudes above the planar surface **105**. A top view of the boss **106** shown in FIG. **7** shows that the boss **106** has a generally rectangular shape. When viewing the boss **106** from the bottom through the planar surface **107**, there is a rectangular hole with the boss **106** spanning over the hole.

Referring now to FIG. **9**, a plurality of LED board **104** are shown mounted to the fixture frame **102**. In particular, the LED boards **104** are mounted in three columns, and being orientated in parallel with each other. In addition, LED boards **104** are shown in linear orientation with each other, so that there are two LED boards **104** in each column, and there are three columns of LED boards **104**. The LED boards **104** are electrically connected together and to a power source.

A method of mounting the LED boards **104** to the fixture frame **102** includes punching a hole through the planar surface **105** of the fixture frame **102** to form the alternating bosses **106**, **108** on a first side (i.e. topside) of the fixture frame **102**. Then, a first edge and opposing second edge of the LED board is aligned between the plurality of alternating bosses **106**, **108**, where the LED board **104** is mounted adjacent to the first side of the planar surface **105** of the fixture frame **102**. Each of The LED boards **104** can be secured to the fixture frame **102**, with the pair of electrical contacts **120** extending through the planar surface **105**. As described above, the bosses **106**, **108** may be formed by a

4

punching process, or other mechanical device that forms the bosses **106**, **108** directly from the material of the fixture frame. The material of the fixture frame is metal in a particular illustrative embodiment.

Many modifications and other embodiments of the invention will come to the mind of one skilled in the art having the benefit of the teachings presented in the foregoing descriptions and the associated drawings. Therefore, it is understood that the invention is not to be limited to the specific embodiments disclosed, and that modifications and embodiments are intended to be included within the scope of the appended claims.

What is claimed is:

1. A light board mounting system, the system comprising:
 - a fixture having a planar surface;
 - a plurality of alternating bosses disposed along a length of the planar surface of the fixture, each alternating boss comprising a curved portion formed from a raised portion of the planar surface;
 - at least one light board having a first side and a second side;
 - a plurality of lights disposed along a length of the at least one light board on the first side; and
 - a first edge and opposing second edge of the at least one light board secured to the planar surface of the fixture between respective innermost edge surfaces of the plurality of alternating bosses, the first edge and opposing second edge of the light board defining a board width between them, the second side of the at least one light board being adjacent to the planar surface of the fixture,
 - wherein a lateral offset distance between the respective innermost edge surfaces is substantially equal to the board width.
2. The system of claim **1**, wherein the planar surface includes a hole associated with each of the respective plurality of alternating bosses and the plurality of alternating bosses span over the respective hole.
3. The system of claim **2**, wherein the system includes an additional light board longitudinally aligned with the at least one light board on the planar surface of the fixture.
4. The system of claim **3**, wherein the additional light board is secured spaced apart relation and in parallel orientation to the at least one light board.
5. The system of claim **3**, wherein the additional light board and the at least one light board are electrically connected.
6. The system of claim **2**, wherein the hole is a rectangular hole.
7. The system of claim **1**, wherein the plurality of lights are arranged in a substantially linear orientation on the first side of the at least one light board.
8. The system of claim **1**, wherein the plurality of alternating bosses are formed from a punched portion of the planar surface of the fixture.
9. The system of claim **1**, wherein the curved portion includes a band.
10. The system of claim **1**, wherein the at least one light board comprises a dielectric substrate carrying the lights.
11. A method of mounting a light board to a fixture, the light board having a plurality of lights mounted thereon, the method comprising:
 - forming a plurality of alternating bosses on a first side of the fixture, wherein the plurality of alternating bosses include a curved portion and are formed from the planar surface;

aligning a first edge and an opposing second edge of the light board between the plurality of alternating bosses, the first edge and opposing second edge of the light board defining a board width between them, wherein the light board is adjacent to the first side of the planar surface of the fixture; and

securing the light board to the fixture between respective innermost edge surfaces of the plurality of alternating bosses, wherein a lateral offset distance between the respective innermost edge surfaces is substantially equal to the board width.

12. The method of claim **11**, wherein forming the plurality of bosses includes forming a hole in the planar surface associated with each of the respective plurality of bosses.

13. The method of claim **12**, wherein the plurality of alternating bosses span over the respective hole.

14. The method claim **12**, wherein the hole is a rectangular hole.

15. The method claim **12**, wherein forming the plurality of bosses comprises punching a portion of the planar surface of the fixture.

16. The method of claim **11**, wherein the plurality of bosses are a plurality of alternating bosses.

17. The method claim **11**, wherein the curved portion includes a band.

18. The method of claim **11**, further comprising securing an additional light board to the planar surface wherein the additional light board is longitudinally aligned with the at least one light board on the planar surface of the fixture.

* * * * *

30