



US011836237B2

(12) **United States Patent**
Willis

(10) **Patent No.:** **US 11,836,237 B2**
(45) **Date of Patent:** ***Dec. 5, 2023**

(54) **REMOTE BIOMETRIC IDENTIFICATION AND LIGHTING**

(71) Applicant: **Alclear, LLC**, New York, NY (US)
(72) Inventor: **William Willis**, New York, NY (US)
(73) Assignee: **ALCLEAR, LLC**, New York, NY (US)
(*) Notice: Subject to any disclaimer, the term of this patent is extended or adjusted under 35 U.S.C. 154(b) by 7 days.

This patent is subject to a terminal disclaimer.

(21) Appl. No.: **18/100,705**

(22) Filed: **Jan. 24, 2023**

(65) **Prior Publication Data**
US 2023/0161855 A1 May 25, 2023

Related U.S. Application Data

(60) Continuation of application No. 17/467,622, filed on Sep. 7, 2021, now Pat. No. 11,594,076, which is a continuation of application No. 17/204,384, filed on Mar. 17, 2021, now Pat. No. 11,436,867, which is a division of application No. 16/679,565, filed on Nov. 11, 2019, now Pat. No. 11,227,155.
(60) Provisional application No. 62/796,075, filed on Jan. 23, 2019, provisional application No. 62/811,420, filed on Feb. 27, 2019.

(51) **Int. Cl.**
G06V 40/19 (2022.01)
G06F 21/32 (2013.01)
G06V 10/141 (2022.01)
G06V 10/143 (2022.01)
G06V 20/52 (2022.01)

G06V 40/16 (2022.01)
G06V 40/18 (2022.01)
(52) **U.S. Cl.**
CPC **G06F 21/32** (2013.01); **G06V 10/141** (2022.01); **G06V 10/143** (2022.01); **G06V 20/52** (2022.01); **G06V 40/172** (2022.01); **G06V 40/19** (2022.01); **G06V 40/197** (2022.01)

(58) **Field of Classification Search**
CPC G06V 40/19; G06F 21/32
See application file for complete search history.

(56) **References Cited**
U.S. PATENT DOCUMENTS

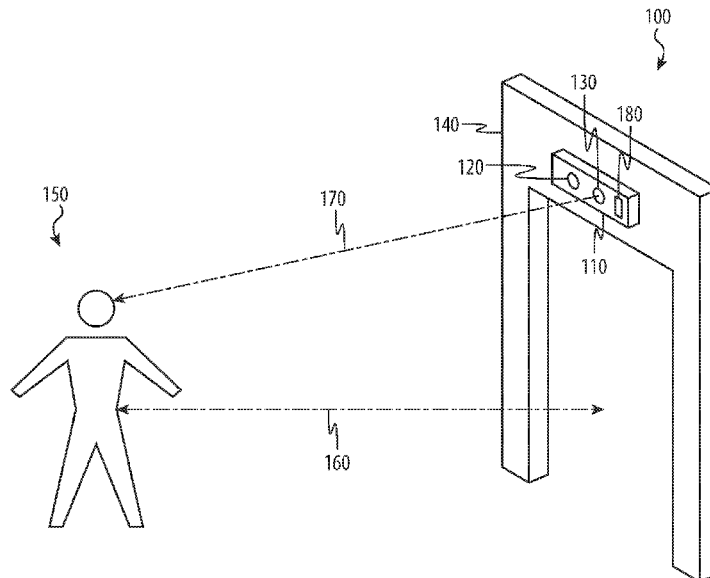
7,542,588 B2 6/2009 Ekin et al.
8,381,969 B1 2/2013 Miller et al.
(Continued)

Primary Examiner — Edward Park
(74) *Attorney, Agent, or Firm* — Brownstein Hyatt Farber Schreck, LLP

(57) **ABSTRACT**

A biometric capture device is operative to adjust one or more environmental parameters to enhance a range (e.g., distance) at which a biometric may be captured from a subject. For example, a sample biometric capture device may be, include, or otherwise incorporate a retinal or iris scanner configured to capture an image of the retina or iris (e.g., a biometric) when the retina or iris is illuminated by infrared light. Generally, the amount of infrared light required to accurately image the retina or iris increases with the distance of the subject's retina or iris from the image capture device. The biometric capture device may capture a facial image using a first image sensor, identify a face in the facial image, capture an iris image using a second image sensor guided by the facial image, and identify a person using the iris image.

20 Claims, 4 Drawing Sheets



(56)

References Cited

U.S. PATENT DOCUMENTS

8,423,462 B1	4/2013	Amacker et al.	11,436,867 B2	9/2022	Willis et al.
8,521,131 B1	8/2013	Ramalingam et al.	11,594,076 B2 *	2/2023	Willis G06V 20/52
8,744,966 B1	6/2014	Amacker et al.	2004/0221303 A1	11/2004	Sie
8,965,170 B1	2/2015	Benea	2006/0279422 A1	12/2006	Sweatte et al.
9,107,064 B1	8/2015	Ramalingam et al.	2008/0002863 A1	1/2008	Northcott et al.
9,166,961 B1	10/2015	Johansson et al.	2008/0292144 A1	11/2008	Kim et al.
9,202,105 B1	12/2015	Wang et al.	2008/0316352 A1	12/2008	Cheng et al.
9,324,098 B1	4/2016	Agrawal et al.	2012/0293629 A1	11/2012	Min et al.
9,386,507 B1	7/2016	Ramalingam et al.	2013/0089240 A1	4/2013	Northcott et al.
9,607,138 B1	3/2017	Baldwin et al.	2014/0132749 A1	5/2014	Hartman et al.
9,609,577 B1	3/2017	Ramalingam et al.	2014/0189720 A1	7/2014	Terrazas
9,681,350 B1	6/2017	Marupaduga et al.	2015/0294515 A1	10/2015	Bergdale
9,681,359 B2	6/2017	Ramalingam et al.	2015/0358557 A1	12/2015	Terre et al.
9,723,131 B1	8/2017	Ramalingam et al.	2015/0362700 A1	12/2015	Prabhakar et al.
9,836,642 B1	12/2017	Ramaswamy	2016/0012292 A1	1/2016	Perna et al.
9,871,959 B1	1/2018	Hlatky et al.	2016/0189063 A1	6/2016	Nie
9,934,504 B2	4/2018	Wang et al.	2016/0283789 A1	9/2016	Slaby et al.
9,967,250 B2	5/2018	Johansson et al.	2017/0161578 A1	6/2017	Ivanisov et al.
10,027,662 B1	7/2018	Mutagi et al.	2017/0188103 A1	6/2017	Pan
10,055,740 B2	8/2018	Hanson et al.	2017/0251366 A1	8/2017	Perna et al.
10,104,181 B1	10/2018	Rao et al.	2018/0007060 A1	1/2018	Leblang et al.
10,108,791 B1	10/2018	Masterman	2018/0220952 A1	8/2018	Lee et al.
10,108,961 B2	10/2018	Wang et al.	2019/0036939 A1	1/2019	Johansson et al.
10,122,727 B2	11/2018	Johansson et al.	2019/0050631 A1	2/2019	Hayase
10,235,669 B2	3/2019	Amacker et al.	2019/0082101 A1	3/2019	Baldwin et al.
10,242,364 B2	3/2019	Wang et al.	2019/0269326 A1	9/2019	McWherter et al.
10,243,945 B1	3/2019	Kruse et al.	2020/0234040 A1	7/2020	Willis et al.
10,987,049 B2	4/2021	Lee et al.	2020/0293757 A1	9/2020	Nilsson et al.
11,151,481 B1	10/2021	Sun et al.	2021/0290055 A1	9/2021	Clarida et al.
			2022/0005208 A1	1/2022	Yang et al.
			2022/0043895 A1	2/2022	Nakazaki et al.

* cited by examiner

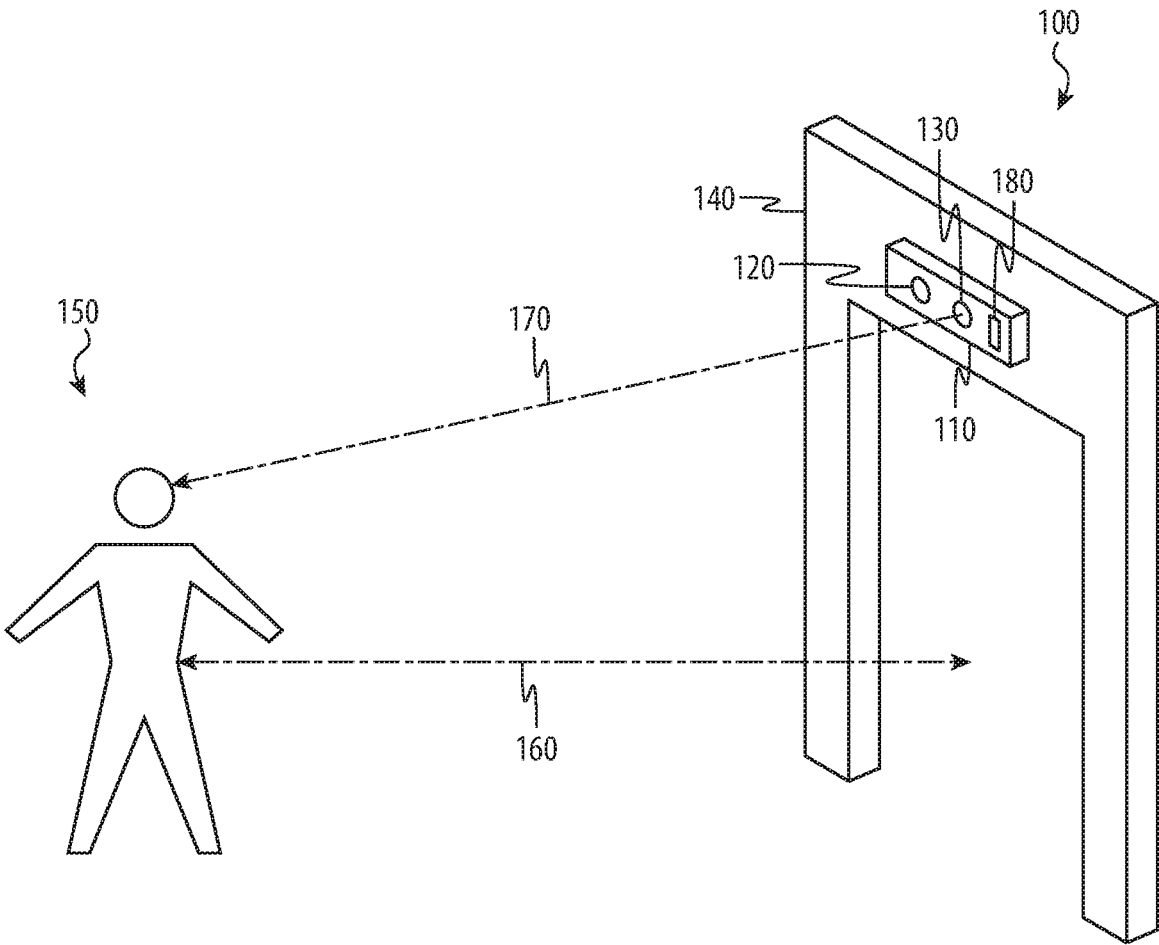


FIG. 1

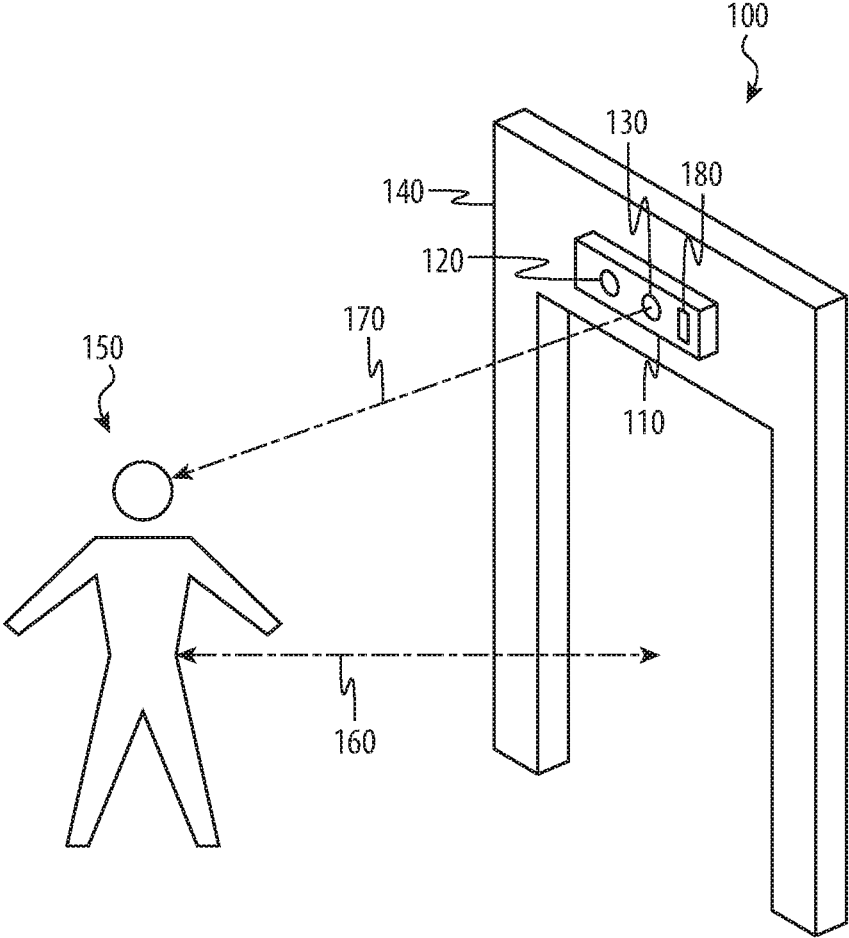


FIG. 2

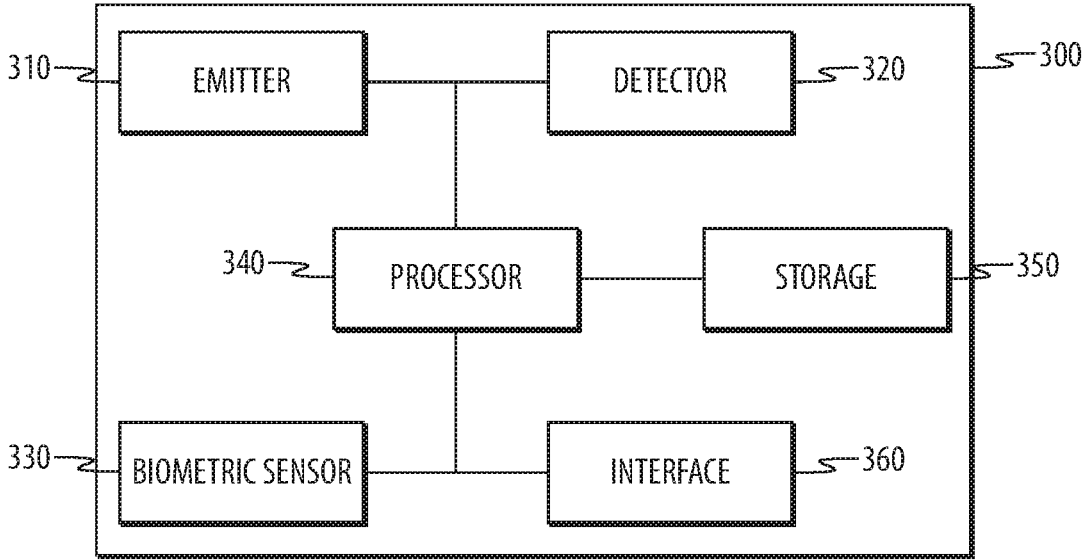


FIG. 3

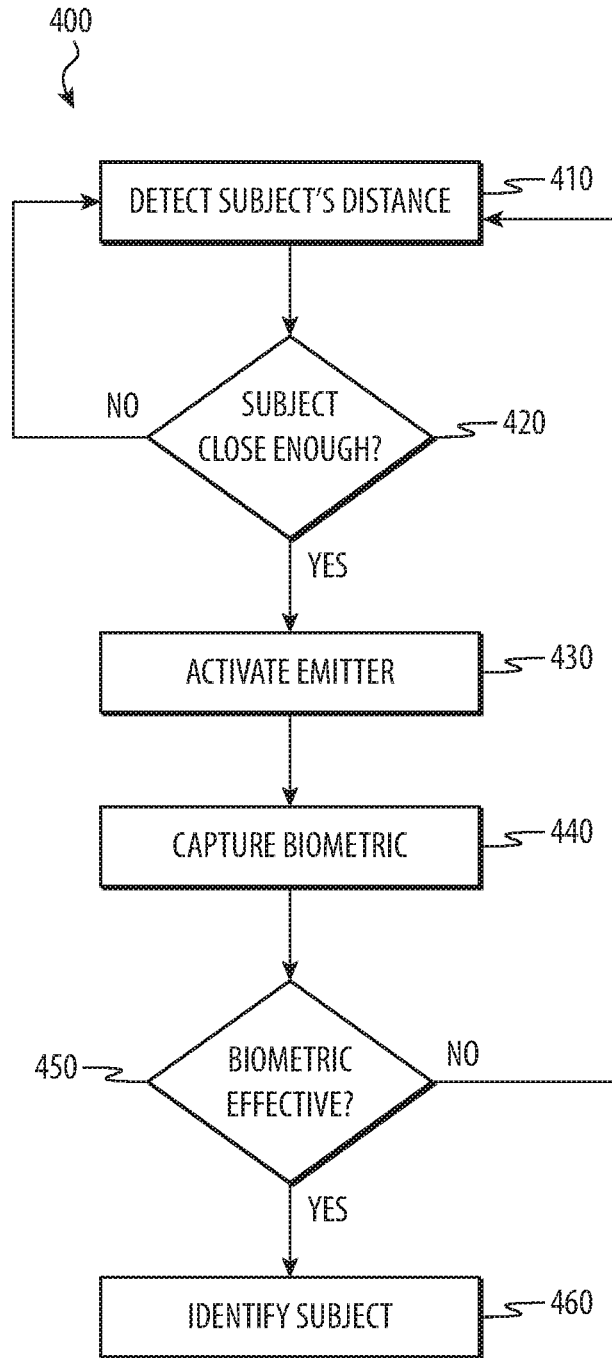


FIG. 4

REMOTE BIOMETRIC IDENTIFICATION AND LIGHTING

CROSS-REFERENCE TO RELATED APPLICATION(S)

This application is a continuation patent application of U.S. patent application Ser. No. 17/467,622, filed Sep. 7, 2021 and titled "Remote Biometric Identification and Lighting," which is a continuation patent application of U.S. patent application Ser. No. 17/204,384, filed Mar. 17, 2021 and titled "Remote Biometric Identification and Lighting," which is a divisional patent application of U.S. patent application Ser. No. 16/679,565, filed Nov. 11, 2019 and titled "Remote Biometric Identification and Lighting," now U.S. Pat. No. 11,227,155, which is a nonprovisional patent application of and claims the benefit of U.S. Provisional Patent Application No. 62/796,075, filed Jan. 23, 2019 and titled "Remote Biometric Identification and Lighting" and U.S. Provisional Patent Application No. 62/811,420, filed Feb. 27, 2019 and titled "Remote Biometric Identification and Lighting," the disclosures of which are hereby incorporated herein by reference in their entireties.

FIELD

Embodiments described herein relate generally to apparatuses for identifying an individual at a distance by remote biometric capture, and more particularly to dynamically adjusting one or more environmental parameters to enhance remote biometric capture and/or enable and/or enhance biometric capture in motion.

BACKGROUND

There are an increasing number of situations (such as airport security screenings, ticketing gates at venues, and so on) where processing of a line or other sequence of people may involve establishing a person's identity. Use of biometrics to establish a person's identity is increasingly common. Biometrics may be used to unlock electronic devices, retrieve sensitive information, enter secure areas (such as airport terminals, as one example), rent or purchase goods, and so on. Many common biometric capture devices require physical contact by a user, as is the case with most fingerprint readers. Other biometric capture devices require that a user stand relatively close to the device, as with an iris scanner or face recognition device. Requiring contact or close proximity during capture may be cumbersome, especially when multiple people are in line or otherwise waiting to interact with the biometric capture device.

Additionally, many situations where a person's identity may be established as part of processing a line or other sequence of people involve movement. Many biometric capture devices that require either contact or close proximity may require that the user remain substantially stationary during capture. Other biometric capture devices that are capable of establishing a person's identity in motion may not be reliable, may not function well, may be slow, and so on. Any slowdown or stoppage of the line may impair the number of people that can be processed and/or the speed at which the people can be processed.

SUMMARY

Generally, embodiments described herein take the form of an apparatus and/or method for capturing a biometric from

a subject while the subject is moving. Further, embodiments described herein may adjust an environmental parameter to enhance the embodiment's ability to capture a biometric that may be used to identify the subject. The environmental parameter may be adjusted based on a distance between the embodiment and the subject, as one non-limiting example.

One sample embodiment described herein takes the form of an apparatus for adjusting an environmental parameter to enhance remote capture of a biometric, including: an emitter configured to adjust the environmental parameter; a detector configured to detect a distance from the detector to a subject; a processor operative to determine a level of the environmental parameter based on the distance detected by the detector; and a biometric sensor configured to capture a biometric of the subject; wherein the processor is operative to instruct the emitter to adjust the environmental parameter based on the distance.

In some embodiments, the biometric is a retinal scan or an iris scan and the environmental parameter is an intensity of infrared light. In certain embodiments, the environmental parameter is an intensity of light, such as white and/or other visible light. In still other embodiments, the environmental parameter is a focus of light emitted by the emitter.

Certain embodiments may be further operative to determine a speed of the subject and adjust the environmental parameter based on the subject's speed.

In some embodiments, an apparatus for capturing a biometric from a subject in motion may include a first image sensor to capture a facial image of a person, a processor to determine that the image includes a face, and a second image sensor to capture an iris image of the person wherein the processor uses the facial image to guide capture of the iris image. In various implementations of such embodiments, the apparatus may further include an emitter configured to adjust an environmental parameter and a detector configured to detect a distance from the detector to the person wherein the processor is operative to determine a level of the environmental parameter based on the distance detected by the detector and instruct the emitter to adjust the environmental parameter based on the distance. In a number of examples of such implementations, the emitter may include a white and/or other visible light emitter and an infrared emitter, and the processor may use the white and/or other visible light emitter to adjust white and/or other visible light during capture of the facial image using the first image sensor and the infrared emitter to adjust infrared light during capture of the iris image. This combined use of facial and iris images along with adjustment of environmental parameters, such as white and/or other visible and infrared light, may enable significantly high fidelity biometric identifications of people in motion. In a number of embodiments, the apparatus may be used with and/or integrated into a security scanning apparatus that detects contraband, such as metals, explosives, and so on.

In various embodiments, an apparatus for adjusting an environmental parameter to enhance remote capture of a biometric includes an emitter configured to adjust the environmental parameter, a detector configured to detect a distance from the detector to a subject, a processor operative to determine a level of the environmental parameter based on the distance detected by the detector, and a biometric sensor configured to capture a biometric of the subject. The processor is operative to instruct the emitter to adjust the environmental parameter based on the distance.

In some examples, the biometric is a retinal scan and the environmental parameter is an intensity of infrared light. In

3

a number of examples, the biometric is an iris scan and the environmental parameter is an intensity of infrared light.

In various examples, the environmental parameter is an intensity of light. In some examples, the environmental parameter is a focus of light emitted by the emitter.

In a number of examples, the distance is a first distance and is detected at a first time, the detector is configured to detect a second distance from the detector to the subject at a second time, and the processor is operative to determine a speed of the subject from the first and second distances and the first and second times, determine a rate at which the environmental parameter should be varied, based on the speed of the subject, and instruct the emitter to vary the environmental parameter at the rate. In various examples, the biometric sensor is configured to capture the biometric when the processor determines that the distance is such that the environmental parameter enhances a likelihood that the biometric has sufficient detail to identify the subject, the distance is greater than zero, and the biometric sensor is configured to capture the biometric while the subject is moving.

In some embodiments, an apparatus for remote capture of a biometric during movement includes a first image sensor to capture a facial image of a person, a processor operative to determine whether the facial image includes a face, and a second image sensor to capture an iris image of the person. The processor uses the facial image to guide capture of the iris image.

In various examples, the apparatus further includes an emitter configured to adjust an environmental parameter and the processor is operative to determine a level of the environmental parameter based on a distance to the person and instruct the emitter to adjust the environmental parameter based on the distance. In some implementations of such examples, the apparatus further includes a detector configured to detect the distance to the person. In a number of implementations of such examples, the emitter is a visible light emitter (which may be a white light emitter in some examples) and an infrared emitter, the processor uses the visible light emitter to adjust visible light during capture of the facial image using the first image sensor, and the processor uses the infrared emitter to adjust infrared light during capture of the iris image. In various implementations of such examples, the emitter is a visible light emitter and the processor uses the visible light emitter to adjust visible light during capture of the facial image using the first image sensor. In some implementations of such examples, the emitter is an infrared emitter and the processor uses the infrared emitter to adjust infrared light during capture of the iris image.

In various examples, the first image sensor and the second image sensor have a different number of megapixels. In some examples, the second image sensor has at least one of square pixels, greyscale pixels, black and white pixels, or an autofocus lens. In a number of examples, the processor uses a focus table to dynamically determine depth of field when using the second image sensor to capture the iris image of the person. In some examples, the apparatus further includes a security scanning apparatus operable to detect at least one of contraband, a metal, or an explosive.

In a number of embodiments, a system for remote capture of a biometric during movement includes at least one image sensor to capture a facial image of a person and a processor. The processor is operative to determine whether the facial image includes a face and use the at least one image sensor to capture an iris image or a retina image of the person using the facial image.

4

In various examples, the processor uses the facial image to determine a location of an iris or a retina.

BRIEF DESCRIPTION OF THE DRAWINGS

Certain features of the subject technology are set forth in the appended claims. However, for purposes of explanation, several embodiments of the subject technology are set forth in the following figures.

FIG. 1 shows a user approaching a biometric capture device at a first distance.

FIG. 2 shows a user approaching the biometric capture device of FIG. 1 and at a second distance.

FIG. 3 is a schematic of a sample biometric capture device.

FIG. 4 is a flowchart of a sample operation for remotely capturing an effective biometric.

DETAILED DESCRIPTION

The detailed description set forth below is intended as a description of various configurations of the subject technology and is not intended to represent the only configurations in which the subject technology may be practiced. The appended drawings are incorporated herein and constitute part of the detailed description. The detailed description includes specific details for the purpose of providing a thorough understanding of the subject technology. However, the subject technology is not limited to the specific details set forth herein and may be practiced without one or more of the specific details. In some instances, structures and components are shown in a block diagram form in order to avoid obscuring the concepts of the subject technology.

The present disclosure relates to an apparatus and/or method for capturing a biometric from a subject while the subject is moving. Further, embodiments described herein may adjust an environmental parameter to enhance the embodiment's ability to capture a biometric that may be used to identify the subject. The environmental parameter may be adjusted based on a distance between the embodiment and the subject, as one non-limiting example.

Embodiments described herein may take the form of a biometric capture device operative to adjust one or more environmental parameters to enhance a range (e.g., distance) at which a biometric may be captured from a subject. For example, a sample biometric capture device may be, include, or otherwise incorporate a retinal or iris scanner configured to capture an image of the retina (e.g., a biometric) or iris when the retina or iris is illuminated by infrared light. Generally, the amount of infrared light required to accurately image the retina or iris increases with the distance of the subject's retina or iris from the image capture device.

In this example, as a subject approaches the biometric capture device, the device may determine a distance to the subject. The device may increase or decrease an intensity of light emitted by the device (or by an associated device, such as a separate light source) toward or at the subject. Further, in some embodiments, the biometric capture device may adjust the infrared light output in multiple stages, decreasing the output in multiple steps or levels as the subject approaches the biometric capture device. Put another way, the biometric capture device may be configured to output lights of different intensities when the subject is at different distances, either in a granular or step fashion or in a substantially continuously varying fashion as the distance between the subject and device varies. (In this document, the terms "subject" and "user" are used interchangeably.)

It should be appreciated that the biometric capture device may use one or more 2D and/or 3D image sensors to capture any of a number of biometrics other than retinal or iris scans. For example, the biometric capture device may capture fingerprint images, capture facial images, perform facial recognition, capture a thermal image of a user's body or body portion, capture an iris image, perform eye vein recognition, perform full body imaging scans, identify a person using a combination of facial recognition and iris image capture, use facial analysis of an image to guide iris capture in motion, and so on.

Typically, the biometric may be captured while the subject is remote from the biometric capture device. The subject may be "remote" when he, she, or it is not touching the device or within a few centimeters of the device. In some embodiments, the subject may be one to ten meters away from the device when his, her, or its biometric is remotely captured, although this distance may be greater or smaller depending on the structure of the particular embodiment.

As may be appreciated, the environmental parameter that is adjusted or modified by embodiments described herein may vary depending on the particular biometric received, imaged, determined, read, or otherwise acquired (collectively, "captured") by the biometric capture device. A set of non-limiting example parameters that may be adjusted follows, each associated with an example biometric capture device.

Intensity and/or frequency of visible light may be adjusted if the biometric capture device includes one or more optical devices, such as one or more cameras and/or 2D and/or 3D image sensors. Optical devices may capture facial images for facial recognition, full-body images for body recognition, fingerprint images, retina images, iris images, images of the sclera of the eyes (or other parts of the eyes) for eye vein verification, and so on.

Intensity, focus, and/or frequency of infrared light may be adjusted if the biometric capture device is an infrared camera or other infrared imaging structure. Infrared imaging devices may capture retinal or iris patterns (e.g., perform retinal or iris scans), thermal images, images of the iris, images of the sclera of the eyes (or other parts of the eyes) for eye vein verification, and so on.

Intensity, focus, and/or frequency of ultrasonic waves may be adjusted if the biometric device is an ultrasonic imaging device. Ultrasonics may be used to capture fingerprints, blood vessel patterns, and the like.

Temperature may be adjusted if the biometric device is a thermal imager or measures a subject's body temperature in another manner.

Ultraviolet light may be adjusted in intensity, spread or focus, and/or frequency if the biometric capture device is an ultraviolet imager. As one non-limiting example, certain facial recognition techniques may use ultraviolet images of a subject's face or subdermal features of a subject's face.

Further, the biometric capture device (or an associated electronic device) may determine a speed of the subject as well as a distance of the subject from the device. The biometric capture device may be further operative to determine an optimal (or minimum) distance for capture of the biometric; this distance may be the distance at which the captured biometric has sufficient resolution, fidelity, integrity, and/or other features that are sufficient to allow the biometric to be used to identify the subject. Further, it should be appreciated that this minimum or optimal distance may be based, at least in part, on the environmental parameter

and/or how much the biometric capture device (or an associated electronic device) can adjust the environmental parameter.

For example, if the environmental parameter is an intensity of infrared light, the biometric capture device may determine a minimum and/or optimal distance at which its emitter may emit infrared light with sufficient intensity to ensure, or render highly likely, that a captured biometric may be used to identify the subject. In some embodiments, "highly likely" means at least a 90% chance that the biometric may be used to identify the subject, while in others the chance that the biometric is of sufficient detail, resolution, complexity, integrity, fidelity, or the like is 95%, 98%, 99%, or more.

Some embodiments may capture multiple biometrics at multiple distances between the biometric capture device and the subject. Further, the environmental parameter may be varied depending on the distance, such that each instance of the captured biometric is captured while the environmental parameter is different. For example, a retinal scan may be captured at a first distance while the biometric capture device (or an associated device) emits high-intensity infrared light toward a subject's face and/or eyes, and a second retinal scan may be captured at a second, closer distance when the infrared light is emitted at a lower intensity. In some embodiments, the second instance of the biometric is captured only if the first captured biometric cannot be used to identify the subject. In certain embodiments, the first and second instances of the biometric may be captured without varying the environmental parameter, but while the distance changes.

Various embodiments may capture a first biometric in order to facilitate capture of a second biometric. For example, a first image sensor may be used to capture one or more facial images of a person. The facial image may be analyzed to determine that a human face is present. If so, a second image sensor may be used to capture one or more iris images of the person. The analysis of the facial image may be used to guide capture of the iris image, such as by analyzing the facial image to identify the location of the person's iris using other detected facial features. This combined use of facial and iris images may improve capture of iris images and/or identification of people using iris images. Further, a detector may be used to detect a distance of the person to the first image sensor and/or the second image sensor during capture of the facial image and/or the iris image. One or more environmental parameters may be adjusted using the detected distance to facilitate capture of the facial image and/or the iris image. For example, the intensity, focus, and/or other properties of one or more emitters that may be used with the first image sensor and/or the second image sensor may be adjusted. By way of illustration, the intensity of one or more white and/or other visible light emitters may be adjusted during capture of the facial image and the intensity of one or more infrared light emitters may be adjusted during capture of the iris image. This combined use of facial and iris images along with adjustment of environmental parameters, such as white and/or other visible and infrared light, may enable significantly high fidelity biometric identifications of people in motion. For example, the above may enable biometric identification of people moving approximately four feet per second at a fidelity of at least one in ten million whereas facial recognition may typically have a fidelity of one in a hundred and contact-based fingerprint scanning may typically have a fidelity of one in ten thousand.

FIG. 1 illustrates a sample biometric capture system **100**. The biometric capture system **100** may include a subsystem **110** incorporating one or more detectors **120** and one or more emitters **130**, although in other embodiments, the detector and emitter may be the same element or may not be included in the same subsystem. The subsystem **110** (or detector **120**, and/or emitter **130**) may be affixed to, incorporated in, or be part of a housing **140**. The housing **140** shown in FIG. 1 is merely one example, here illustrated as an arch or doorframe through which a subject **150** may approach and through which the subject may pass. In other embodiments, the housing **140** may be a tunnel, arch, pylon, or stake by which the subject **150** passes, and so on.

In FIG. 1 the subject **150** is a first distance **160** away from the biometric capture system **100**. At this distance **160**, the detector **120** detects a presence of the subject **150**. In response, the biometric capture system **100** determines if the subject **150** is close enough to capture an effective biometric (e.g., a biometric that may be used to identify the subject), and/or whether the subject is close enough to capture an effective biometric if an environmental parameter is altered. If necessary, the emitter **130** emits electromagnetic radiation **170** (for example, visible light, white light, non-visible light, heat, infrared light, a magnetic field, and so on) to adjust an environmental parameter. Sample environmental parameters include an amount, intensity, or frequency of visible or non-visible light on the subject, a temperature, a magnetic field strength, and so on.

Once the subject **150** is at an appropriate distance and the environmental parameter is of the appropriate value (e.g., strength, intensity, and so on), one or more biometric sensors **180** (such as one or more image sensors) capture one or more biometrics of the subject **150**. As the subject **150** approaches the biometric capture system **100**, the biometric may be used to identify the subject **150** in order to grant him or her access to a location (such as an airline terminal, store, rental car lot, stadium, or other restricted area), provide a good or service to the subject **150**, provide information to the subject **150**, initiate, approve, or complete a transaction with the subject **150**, and so on.

In some instances a subject **150** may be detected by the detector **120** when the distance **160** between the subject **150** and biometric capture system **100** is too far for an effective biometric to be captured. Accordingly and as shown in FIG. 2, the biometric capture system **100** may wait until the distance **160** between the subject **150** and biometric capture system **100** decreases below a threshold and then activate the emitter **130**. In certain embodiments, the distance **160** may be measured multiple times so that the biometric capture system **100** (or an associated electronic device) may estimate the subject's speed. The subject's speed may be used to determine a time at which the emitter **130** and the biometric sensor **180** are activated. In still other embodiments, a subject's speed may be used to determine a continuous variation of the electromagnetic radiation **170**, such that the electromagnetic radiation **170** varies as the subject approaches the biometric capture system **100**. This change in emitted electromagnetic radiation **170** may be smooth or may be a step function with the distance **160**.

In some embodiments, the emitter **130** may vary the emitted electromagnetic radiation **170** to vary the environmental parameter rapidly. For example, the environmental parameter may be changed multiple times in a single second before the subject **150** moves and appreciably changes the distance **160**. The biometric sensor **180** may capture a different instance of the subject's biometric every time the electromagnetic radiation **170** changes, and thus every time

the environmental parameter changes. Accordingly, the biometric capture system **100** may capture multiple instances of a biometric at a substantially static distance **160** but under varying environmental parameters. This may permit rapid and efficient capture of at least one effective biometric at a given distance **160**.

By way of example, the biometric sensor **180** may include an image sensor that captures a series of images (continuously, periodically, or otherwise) of the subject **150**. The biometric capture device **100** may operate the emitter **130** in order to maintain consistent lighting or other environmental parameters across the series of images and/or make the lighting and/or other environmental parameters more consistent than they would otherwise be. This may result in the series of images being more uniform, increase the effective resolution of the images, reduce variation between the series of images, compensate for fall off, obtain enhanced resolution for the series of images, and so on.

In some embodiments, the biometric sensor **180** may include a first image sensor to capture one or more facial images of the subject **150** and a second image sensor to capture one or more iris images of the subject **150**. The biometric capture system **100** may use the first image sensor to capture the facial image and analyze the facial image to determine whether or not the facial image includes a human face. If so, the biometric capture system **100** may use the second image sensor to capture the iris image of the subject **150**. The biometric capture device **100** may then use the iris image to identify the subject **150**.

The biometric capture system **100** may use the facial image to guide use of the second image sensor to capture the iris image of the subject **150**. For example, the biometric capture system **100** may reduce unnecessary attempts at capturing iris images by using the second image sensor to capture the iris image of the subject **150** after a human face is detected in the facial image (such as detection of a human face in the facial image according to International Organization for Standardization or "ISO" compliant standards). By way of another example, analysis of the facial image may enable iris location using other detected facial features (such as locating an iris based on the location of an identified nose). This combined use of facial and iris images may improve capture of iris images and/or identification of people using iris images. This may also aid in capturing iris images of moving people, such as people moving approximately four feet a second or less.

Further, many biometric capture systems that identify people using facial recognition may use algorithms that are more effective for identifying males of European heritage than females or people of other heritages. By detecting that a face is present in a facial image, using the facial image to locate the position of one or more irises, and performing identifications using images of the one or more irises, identification with a high degree of effectiveness may be possible across a significantly more uniform population spectrum including a wider variety of genders and heritages than would be possible using typical facial recognition techniques.

In some examples, the first image sensor and the second image sensor may be different kinds of image sensors. For example, the first image sensor that is used to capture the facial image of the subject **150** may be a first camera with at least approximately 3 megapixels (and/or one or more lenses and/or other optical elements of a sufficient quality that the first camera is capable of an effective resolution of at least approximately 3 megapixels) that is operable to capture facial images of people approximately 2 to 8 feet

away at approximately 4 feet per second and the second image sensor that is used to capture the iris image of the subject **150** may be a second camera with at least approximately 5 megapixels (and/or one or more lenses and/or other optical elements of a sufficient quality that the second camera is capable of an effective resolution of at least approximately 5 megapixels). In various implementations, the second camera may have square pixels, an approximately 2/3 inch sensor, greyscale or black and white pixels, be operable to capture at least approximately 80 frames a second, and so on. In some implementations, the second camera may be operable within an illumination bandwidth of approximately 700-900 nanometers. In a number of implementations, the second camera may be an autofocus lens camera. In such implementations, a focus table and/or similar mechanism (such as using an active mechanism that uses the detector **120** and/or similar mechanism to select depth of field related to the distance to the subject **150**; a passive mechanism such as analysis of one or more captured images to determine the distance, analysis of the sharpness and/or sharp edges of one or more captured images, and so on; a hybrid combination of active and passive mechanisms; and so on) may be used for dynamic focus to enable selection of the appropriate depth of field for the subject **150** at different distances as the subject **150** is walking.

Further, the biometric capture device **100** may use the detector **120** and the emitter **130** to improve capture of facial images and/or iris images. The biometric capture system **100** may use the detector **120** to detect a distance of the subject **150** to the first image sensor and/or the second image sensor during capture of the facial image and/or the iris image. The biometric capture system **100** may accordingly adjust one or more environmental parameters using the detected distance to facilitate capture of the facial image and/or the iris image. For example, the biometric capture system **100** may adjust the intensity, focus, and/or other properties of one or more emitters **130** that may be used with the first image sensor and/or the second image sensor. By way of illustration, the biometric capture system **100** may adjust the intensity of one or more white and/or other visible light emitters that are included in the emitter **130** during capture of the facial image and the intensity of one or more infrared light emitters that are included in the emitter **130** during capture of the iris image. This combined use of facial and iris images along with adjustment of environmental parameters, such as white and/or other visible light and infrared light, may enable significantly high fidelity biometric identifications of people in motion. For example, the above may enable biometric identification of people moving approximately four feet per second at a fidelity of one in ten million whereas facial recognition may typically have a fidelity of one in a hundred and contact-based fingerprint scanning may typically have a fidelity of one in ten thousand.

In a number of embodiments, the biometric capture system **100** may be used with and/or integrated into a security scanning apparatus that detects contraband, such as metals, explosives, and so on. For example, the security screening apparatus may be disposed within the housing **140**. Alternatively, the security screening apparatus may be a structure, such as an arch or doorframe, located adjacent to the biometric capture system **100** such that the subject **150** proceeds through the biometric capture system **100** and then through the security screening apparatus.

Although FIGS. **1** and **2** illustrate and describe a particular configuration of components, it is understood that this is an example. In other implementations, various configurations

of the same, similar, and/or different components may be used without departing from the scope of the present disclosure.

By way of illustration, FIGS. **1** and **2** depict a single biometric sensor **180** disposed in the subsystem **110** on the housing **140**. However, it is understood that that is an example. In some implementations, the biometric sensor **180** may be implemented as one or more image sensors without departing from the scope of the present disclosure. For example, the image sensors may be one or more cameras located in one or more crowns atop the housing **140**. Various configurations are possible and contemplated without departing from the scope of the present disclosure.

By way of another illustration, FIGS. **1** and **2** depict a single emitter **130** disposed in the subsystem **110** on the housing **140**. However, it is understood that that is an example. In some implementations, the emitter **130** may include a number of emitters without departing from the scope of the present disclosure. For example, a number of white and/or other visible light emitters and/or infrared emitters may be configured in a U or horseshoe shape on the housing **140**, in one or more strips on the sides of the housing **140**, in one or more rings on the housing **140**, and so on. Various configurations are possible and contemplated without departing from the scope of the present disclosure.

By way of yet another example, FIGS. **1** and **2** depict the detector **120** detecting a presence of the subject **150** and/or a distance to the subject **150**. However, in other examples, the detector **120** may be omitted. By way of illustration, a high-end single-lens reflex camera may be used as the biometric sensor **180** and may be operable to adjust focus and lighting rather than using the detector **120** to determine a distance. In other examples, the emitter **130** may be operated based on processing of a sequence of images captured using the biometric sensor **180** and/or the sequence of images may be processed to determine the distance (such as by analyzing fall off, analyzing sharp edges and/or other sharpness of the sequence of images, and so on). Various configurations are possible and contemplated without departing from the scope of the present disclosure.

FIG. **3** is a block diagram illustrating sample components of one embodiment of a biometric capture device **300**. One or more emitters **310** generally emit electromagnetic radiation to vary an environmental parameter, as discussed above. One or more detectors **320** detect a presence of a user and/or a distance to him or her. The detector **320** may be an optical camera, a laser transceiver, an ultrasonic transceiver, and so on. In some embodiments, the detector **320** may be a receiver only and may rely on electromagnetic radiation (light, for example) emitted from the emitter **310** and reflected from the subject rather than being a transceiver.

One or more biometric capture devices **300** generally include a biometric sensor **330** operative to capture a biometric, as described above.

One or more processors **340** receive data from one or more of the emitter **310**, detector **320**, biometric sensor **330**, and interface **360**. The processor may instruct the emitter, detector, and/or biometric sensor when and how to operate, including for how long. Thus, the processor may receive data indicating a distance between the device and the subject and use that data to instruct the emitter when to activate, how long to emit electromagnetic radiation, the intensity and/or frequency of such radiation, a field of emission (e.g., a focus of the emitter), and so on. The processor may also instruct the biometric sensor when to operate in order to capture a biometric.

Non-transitory storage **350** may contain computer-readable instructions and/or data structures that are accessed by the processor **340**. The storage may contain a look-up table or code of different parameters for the electromagnetic radiation emitted by the emitter **310** and correlate those parameters to various distances between the subject and the device **300**, for example.

The interface **360** may permit a third party access to the internal functions of the biometric capture device **300**. The interface **360** may permit the third party to set or reprogram the biometric capture device's **300** functions or parameters, as one example. The third party may adjust various parameters of the emitter, as yet another example, in order to change an amount, intensity, frequency, focus, or other aspect of the emitted electromagnetic radiation. As still another example, the interface **360** may permit a third party (such as an operator or technician) access to the storage **350** and any data contained therein, as well as the ability to manipulate such data. Thus, through the interface **360**, the third party may alter the aforementioned look-up table or code. The interface **360** may be physically accessible, such as via an external port, or may be a wireless receiver and/or transmitter.

FIG. **4** is a flowchart illustrating one sample method of operation of one embodiment of a biometric capture device as described herein. The method **400** begins in operation **410**, in which a distance between the subject and the device may be detected by a detector.

Following operation **410**, the device may determine in operation **420** whether the subject is close enough to the device that an effective biometric may be captured. If not, the process may return to operation **410**. Generally, operation **410** may be performed by a processor of the device.

If the subject is close enough that an effective biometric can be captured, in operation **430** the emitter may be activated in order to emit electromagnetic radiation and alter an environmental parameter. The aspects of the electromagnetic radiation may vary with the distance detected in operation **410**, the current state of the environmental parameter, the physical properties of the subject, an angle between the subject and the biometric capture device, and so on. Although not explicitly set out in this flowchart **400**, it should be understood that any or all of these factors may be detected by certain embodiments of a biometric capture device, or such factors may be stored in the storage of the device for use in operation **430**. Typically, the processor may activate the emitter.

In operation **440**, the biometric sensor may capture a biometric of the subject. Generally, the processor may instruct the biometric sensor to perform this operation.

In operation **450**, the biometric capture device may determine if the biometric is effective (e.g., can be used to identify the subject). If not, the method **400** may return to operation **410**. If so, the method **400** may proceed to operation **460**. As with certain prior operations, the processor may generally execute operation **450**, although in some embodiments a separate processor may execute this operation. This separate processor may be physically part of the biometric capture device or may be remote from the device.

In operation **460**, the effective biometric (and/or a hash and/or other digital representation thereof) may be used to identify the subject.

In various examples, this example method **400** may be implemented using a group of interrelated software modules or components that perform various functions discussed herein. These software modules or components may be executed within a cloud network and/or by one or more

computing devices, such as the biometric capture system **100** of FIG. **1** and/or the biometric capture device **300** of FIG. **3**.

Although the example method **400** is illustrated and described as including particular operations performed in a particular order, it is understood that this is an example. In various implementations, various orders of the same, similar, and/or different operations may be performed without departing from the scope of the present disclosure.

For example, in some implementations, a first image sensor may be used to capture one or more facial images of a person. The facial image may be analyzed to determine that a human face is present. If so, a second image sensor may be used to capture one or more iris images of the person. The analysis of the facial image may be used to guide capture of the iris image, such as by analyzing the facial image to identify the location of the person's iris using other detected facial features.

Further, in various implementations, a detector may be used to detect a distance of the person to the first image sensor and/or the second image sensor during capture of the facial image and/or the iris image. One or more environmental parameters may be adjusted using the detected distance to facilitate capture of the facial image and/or the iris image. For example, the intensity, focus, and/or other properties of one or more emitters that may be used with the first image sensor and/or the second image sensor may be adjusted. By way of illustration, the intensity of one or more white and/or other visible light emitters may be adjusted during capture of the facial image and the intensity of one or more infrared light emitters may be adjusted during capture of the iris image.

Although the above illustrates and describes a number of embodiments, it is understood that these are examples. In various implementations, various techniques of individual embodiments may be combined without departing from the scope of the present disclosure.

In various implementations, an apparatus for adjusting an environmental parameter to enhance remote capture of a biometric may include an emitter configured to adjust the environmental parameter, a detector configured to detect a distance from the detector to a subject, a processor operative to determine a level of the environmental parameter based on the distance detected by the detector, and a biometric sensor configured to capture a biometric of the subject. The processor may be operative to instruct the emitter to adjust the environmental parameter based on the distance.

In some examples, the biometric may be a retinal scan and the environmental parameter may be an intensity of infrared light. In a number of examples, the biometric may be an iris scan and the environmental parameter may be an intensity of infrared light.

In various examples, the environmental parameter may be an intensity of light. In some examples, the environmental parameter may be a focus of light emitted by the emitter.

In a number of examples, the distance may be a first distance and is detected at a first time, the detector may be configured to detect a second distance from the detector to the subject at a second time, and the processor may be operative to determine a speed of the subject from the first and second distances and the first and second times, determine a rate at which the environmental parameter should be varied, based on the speed of the subject, and instruct the emitter to vary the environmental parameter at the rate. In various examples, the biometric sensor may be configured to capture the biometric when the processor determines that the distance is such that the environmental parameter enhances

a likelihood that the biometric has sufficient detail to identify the subject, the distance is greater than zero, and the biometric sensor is configured to capture the biometric while the subject is moving.

In some implementations, an apparatus for remote capture of a biometric during movement may include a first image sensor to capture a facial image of a person, a processor operative to determine whether the facial image includes a face, and a second image sensor to capture an iris image of the person. The processor may use the facial image to guide capture of the iris image.

In various examples, the apparatus may further include an emitter configured to adjust an environmental parameter and the processor may be operative to determine a level of the environmental parameter based on a distance to the person and instruct the emitter to adjust the environmental parameter based on the distance. In some such examples, the apparatus may further include a detector configured to detect the distance to the person. In a number of such examples, the emitter may be a visible light emitter (which may be a white light emitter in some examples) and an infrared emitter, the processor may use the visible light emitter to adjust visible light during capture of the facial image using the first image sensor, and the processor may use the infrared emitter to adjust infrared light during capture of the iris image. In various such examples, the emitter may be a visible light emitter and the processor may use the visible light emitter to adjust visible light during capture of the facial image using the first image sensor. In some such examples, the emitter may be an infrared emitter and the processor may use the infrared emitter to adjust infrared light during capture of the iris image.

In various examples, the first image sensor and the second image sensor may have a different number of megapixels. In some examples, the second image sensor may have at least one of square pixels, greyscale pixels, black and white pixels, or an autofocus lens. In a number of examples, the processor may use a focus table to dynamically determine depth of field when using the second image sensor to capture the iris image of the person. In some examples, the apparatus may further include a security scanning apparatus operable to detect at least one of contraband, a metal, or an explosive.

In a number of implementations, a system for remote capture of a biometric during movement may include at least one image sensor to capture a facial image of a person and a processor. The processor may be operative to determine whether the facial image includes a face and use the at least one image sensor to capture an iris image or a retina image of the person using the facial image.

In various examples, the processor may use the facial image to determine a location of an iris or a retina.

As discussed above and illustrated in the accompanying figures, the present disclosure relates to an apparatus and/or method for capturing a biometric from a subject while the subject is moving. Further, embodiments described herein may adjust an environmental parameter to enhance the embodiment's ability to capture a biometric that may be used to identify the subject. The environmental parameter may be adjusted based on a distance between the embodiment and the subject, as one non-limiting example.

The present disclosure recognizes that biometric and/or other personal data is owned by the person from whom such biometric and/or other personal data is derived. This data can be used to the benefit of those people. For example, biometric data may be used to conveniently and reliably identify and/or authenticate the identity of people, access securely stored financial and/or other information associated

with the biometric data, and so on. This may allow people to avoid repeatedly providing physical identification and/or other information.

The present disclosure further recognizes that the entities who collect, analyze, store, and/or otherwise use such biometric and/or other personal data should comply with well-established privacy policies and/or privacy practices. Particularly, such entities should implement and consistently use privacy policies and practices that are generally recognized as meeting or exceeding industry or governmental requirements for maintaining security and privately maintaining biometric and/or other personal data, including the use of encryption and security methods that meets or exceeds industry or government standards. For example, biometric and/or other personal data should be collected for legitimate and reasonable uses and not shared or sold outside of those legitimate uses. Further, such collection should occur only after receiving the informed consent. Additionally, such entities should take any needed steps for safeguarding and securing access to such biometric and/or other personal data and ensuring that others with access to the biometric and/or other personal data adhere to the same privacy policies and practices. Further, such entities should certify their adherence to widely accepted privacy policies and practices by subjecting themselves to appropriate third party evaluation.

Additionally, the present disclosure recognizes that people may block the use of, storage of, and/or access to biometric and/or other personal data. Entities who typically collect, analyze, store, and/or otherwise use such biometric and/or other personal data should implement and consistently prevent any collection, analysis, storage, and/or other use of any biometric and/or other personal data blocked by the person from whom such biometric and/or other personal data is derived.

In the present disclosure, the methods disclosed may be implemented as sets of instructions or software readable by a device. Further, it is understood that the specific order or hierarchy of steps in the methods disclosed are examples of sample approaches. In other embodiments, the specific order or hierarchy of steps in the method can be rearranged while remaining within the disclosed subject matter. The accompanying method claims present elements of the various steps in a sample order, and are not necessarily meant to be limited to the specific order or hierarchy presented.

The described disclosure may be provided as a computer program product, or software, that may include a non-transitory machine-readable medium having stored thereon instructions, which may be used to program a computer system (or other electronic devices) to perform a process according to the present disclosure. A non-transitory machine-readable medium includes any mechanism for storing information in a form (e.g., software, processing application) readable by a machine (e.g., a computer). The non-transitory machine-readable medium may take the form of, but is not limited to, a magnetic storage medium (e.g., floppy diskette, video cassette, and so on); optical storage medium (e.g., CD-ROM); magneto-optical storage medium; read only memory (ROM); random access memory (RAM); erasable programmable memory (e.g., EPROM and EEPROM); flash memory; and so on.

The foregoing description, for purposes of explanation, used specific nomenclature to provide a thorough understanding of the described embodiments. However, it will be apparent to one skilled in the art that the specific details are not required in order to practice the described embodiments. Thus, the foregoing descriptions of the specific embodi-

15

ments described herein are presented for purposes of illustration and description. They are not targeted to be exhaustive or to limit the embodiments to the precise forms disclosed. It will be apparent to one of ordinary skill in the art that many modifications and variations are possible in view of the above teachings. Also, when used herein to refer to positions of components, the terms above and below, or their synonyms, do not necessarily refer to an absolute position relative to an external reference, but instead refer to the relative position of components with reference to the figures.

What is claimed is:

1. A system, comprising:
 a non-transitory medium that stores instructions; and
 a processor operative to execute the instructions to:
 capture an image of a person;
 detect a distance to the person;
 determine whether the image includes a face;
 estimate a future time when an iris image or a retina image of the person can be captured at a future position if an environmental parameter is adjusted, the environmental parameter comprising at least one of light, an intensity of the light, a focus of the light, an amount of the light, or a frequency of the light;
 adjust the environmental parameter at the future time;
 and
 use the face to guide capture of the iris image or the retina image at the future time.
2. The system of claim 1, wherein the processor captures the image of the person by instructing at least one image sensor to capture the image of the person.
3. The system of claim 1, wherein the processor instructs the at least one image sensor to capture the iris image or the retina image.
4. The system of claim 1, wherein the processor:
 captures the image of the person by instructing a first image sensor to capture the image of the person; and
 instructs a second image sensor to capture the iris image or the retina image.
5. The system of claim 1, wherein the processor uses a detector to detect the distance to the person.
6. The system of claim 5, wherein the processor uses the detector to estimate the future time when the iris image or the retina image of the person can be captured if the environmental parameter is adjusted.
7. The system of claim 1, wherein the processor uses the distance to estimate the future time when the iris image or the retina image of the person can be captured if the environmental parameter is adjusted.
8. The system of claim 1, wherein:
 the future time is a first future time;
 the future position is a first future position; and
 the processor estimates a subsequent future position of the person at a second future time.
9. The system of claim 8, wherein the processor uses a detector to:
 detect the distance to the person; and
 estimate the subsequent future position of the person at the second future time.

16

10. The system of claim 9, wherein:
 the distance is a first distance;
 the processor uses the detector to detect a second distance to the person; and
 the processor uses the second distance to estimate the subsequent future position of the person at the second future time.
11. The system of claim 8, wherein:
 the iris image or the retina image of the person is a first iris image or a first retina image of the person;
 the processor adjusts the environmental parameter a first amount at the first future time;
 the processor determines that a second iris image or a second retina image of the person can be captured at the second future time if the environmental parameter is adjusted a second amount;
 the processor adjusts the environmental parameter the second amount at the second future time; and
 the processor captures the second iris image or the second retina image of the person at the second future time.
12. The system of claim 11, wherein the processor:
 uses a visible light emitter to adjust visible light during the capture of the image; and
 uses an infrared emitter to adjust infrared light during the capture of the iris image or the retina image.
13. The system of claim 11, wherein the visible light emitter is a white light emitter.
14. The system of claim 1, wherein the processor uses a visible light emitter to adjust visible light during the capture of the image.
15. The system of claim 1, wherein the processor uses an infrared emitter to adjust infrared light during the capture of the iris image or the retina image.
16. The system of claim 1, wherein the processor instructs an emitter to adjust the environmental parameter.
17. A method, comprising:
 capturing an image of a person;
 detecting a distance to the person;
 determining whether the image includes a face;
 estimating a future time when an iris image or a retina image of the person can be captured at a future position if an environmental parameter is adjusted, the environmental parameter comprising at least one of light, an intensity of the light, a focus of the light, an amount of the light, or a frequency of the light;
 adjusting the environmental parameter at the future time;
 and
 using the face to guide capture of the iris image or the retina image at the future time.
18. The method of claim 17, wherein at least one of the capturing the image of the person or capturing the iris image or the retina image includes instructing at least one image sensor.
19. The method of claim 17, wherein the adjusting the environmental parameter includes instructing an emitter.
20. The method of claim 17, wherein the determining the distance to the person includes receiving data from a detector.

* * * * *