



US011818786B2

(12) **United States Patent**  
**Wang et al.**

(10) **Patent No.:** **US 11,818,786 B2**  
(45) **Date of Patent:** **\*Nov. 14, 2023**

(54) **DEVICE-TO-DEVICE WIRELESS COMMUNICATION METHOD AND USER EQUIPMENT**

(71) Applicant: **Sun Patent Trust**, New York, NY (US)

(72) Inventors: **Lilei Wang**, Beijing (CN); **Prateek Basu Mallick**, Hessen (DE); **Hidetoshi Suzuki**, Kanagawa (JP); **Joachim Lochr**, Hessen (DE); **Masayuki Hoshino**, Chiba (JP)

(73) Assignee: **Sun Patent Trust**, New York, NY (US)

(\* ) Notice: Subject to any disclaimer, the term of this patent is extended or adjusted under 35 U.S.C. 154(b) by 0 days.

This patent is subject to a terminal disclaimer.

(21) Appl. No.: **17/750,094**

(22) Filed: **May 20, 2022**

(65) **Prior Publication Data**

US 2022/0279618 A1 Sep. 1, 2022

**Related U.S. Application Data**

(63) Continuation of application No. 16/896,939, filed on Jun. 9, 2020, now Pat. No. 11,368,997, which is a (Continued)

(51) **Int. Cl.**  
**H04W 72/02** (2009.01)  
**H04W 76/23** (2018.01)

(Continued)

(52) **U.S. Cl.**  
CPC ..... **H04W 76/23** (2018.02); **H04W 72/02** (2013.01); **H04W 72/56** (2023.01); **H04W 36/03** (2018.08)

(58) **Field of Classification Search**  
CPC ..... H04W 76/23; H04W 72/02; H04W 72/10; H04W 36/03

See application file for complete search history.

(56) **References Cited**

U.S. PATENT DOCUMENTS

9,591,686 B2\* 3/2017 Zisimopoulos ..... H04W 48/02  
9,655,163 B2\* 5/2017 Guo ..... H04W 76/27

(Continued)

FOREIGN PATENT DOCUMENTS

CN 103188742 A 7/2013  
CN 103686908 A 3/2014

(Continued)

OTHER PUBLICATIONS

3GPP TS 36.213 V12.2.0, "3<sup>rd</sup> Generation Partnership Project; Technical Specification Group Radio Access Network; Evolved Universal Terrestrial Radio Access (E-UTRA); Physical layer procedures (Release 12)," Jun. 2014, 207 pages.

(Continued)

*Primary Examiner* — Michael J Moore, Jr.

(74) *Attorney, Agent, or Firm* — Seed IP Law Group LLP

(57) **ABSTRACT**

Provided are D2D wireless communication methods and UEs therefor. In one embodiment, the D2D wireless communication method performed by a UE includes continuing D2D transmission by using a resource from a resource pool allocated for mode 2 operation when switching from mode 1 operation to mode 2 operation. In another embodiment, the D2D wireless communication method performed by a UE includes performing D2D transmission by using a resource from a resource pool allocated for mode 2 operation, wherein the resource pool is indicated by a dedicated RRC signaling transmitted by an eNB, a SIB transmitted by an eNB, a PD2DSCH transmitted by other UE(s), and/or pre-configuration, and the dedicated RRC signaling, the SIB, the PD2DSCH and the pre-configuration are in descending order in priority when determining the resource pool.

**8 Claims, 4 Drawing Sheets**

200

201

CONTINUING D2D TRANSMISSION BY USING A RESOURCE FROM A TRANSMISSION RESOURCE POOL ALLOCATED FOR MODE 2 OPERATION WHEN SWITCHING FROM MODE 1 OPERATION TO MODE 2 OPERATION

**Related U.S. Application Data**

continuation of application No. 16/281,987, filed on Feb. 21, 2019, now Pat. No. 10,716,163, which is a continuation of application No. 15/377,931, filed on Dec. 13, 2016, now Pat. No. 10,257,880, which is a continuation of application No. PCT/CN2014/087563, filed on Sep. 26, 2014.

- (51) **Int. Cl.**  
**H04W 72/56** (2023.01)  
**H04W 36/00** (2009.01)

- (56) **References Cited**

U.S. PATENT DOCUMENTS

9,756,676	B2 *	9/2017	Liu	H04W 76/20
9,769,644	B2 *	9/2017	He	H04W 48/12
9,781,585	B2 *	10/2017	Sheng	H04W 72/23
9,788,186	B2	10/2017	Chatterjee et al.	
9,832,807	B2 *	11/2017	Chen	H04W 76/23
9,843,918	B2 *	12/2017	Luo	H04W 48/10
9,848,454	B2 *	12/2017	Patil	H04W 72/02
9,974,066	B2	5/2018	Novlan et al.	
10,051,678	B2 *	8/2018	Yamada	H04W 76/14
10,182,468	B2	1/2019	Kim et al.	
10,257,880	B2 *	4/2019	Wang	H04W 72/02
10,321,448	B2 *	6/2019	Yi	H04W 8/005
10,716,163	B2 *	7/2020	Wang	H04W 76/23
11,368,997	B2 *	6/2022	Wang	H04W 76/23
2014/0094183	A1	4/2014	Gao et al.	
2014/0376458	A1 *	12/2014	Ryu	H04W 72/542 370/329
2015/0045018	A1 *	2/2015	Liu	H04W 76/14 455/426.1
2015/0181584	A1	6/2015	Morita et al.	
2015/0215903	A1 *	7/2015	Zhao	H04W 56/002
2015/0215981	A1 *	7/2015	Patil	H04W 72/02 370/329
2015/0271861	A1 *	9/2015	Li	H04W 56/001 455/552.1
2015/0327180	A1 *	11/2015	Ryu	H04L 1/0009 370/329
2015/0327312	A1 *	11/2015	Burbidge	H04W 72/23 370/329
2015/0382324	A1 *	12/2015	Sheng	H04W 72/02 370/329
2016/0044619	A1 *	2/2016	Ryu	H04W 72/23 370/350
2016/0057604	A1 *	2/2016	Luo	H04W 48/10 370/330
2016/0094975	A1 *	3/2016	Sheng	H04W 72/23 370/216
2016/0219640	A1 *	7/2016	Jung	H04W 76/14
2017/0006524	A1	1/2017	Jung et al.	
2017/0006585	A1 *	1/2017	Jung	H04W 72/23
2017/0041773	A1 *	2/2017	Fujishiro	H04W 48/12
2017/0048822	A1 *	2/2017	Lee	H04W 72/02
2017/0094709	A1 *	3/2017	Wang	H04W 76/23
2017/0135074	A1 *	5/2017	Yi	H04W 72/02
2017/0142741	A1 *	5/2017	Kaur	H04W 72/121
2017/0150501	A1 *	5/2017	Park	H04L 1/1887
2017/0164249	A1 *	6/2017	Uemura	H04W 36/0072
2017/0188221	A1	6/2017	Lee et al.	
2017/0188320	A1 *	6/2017	Xiong	H04W 8/005
2017/0215160	A1 *	7/2017	Löhr	H04W 76/14
2017/0223767	A1 *	8/2017	Jung	H04W 36/04
2017/0230938	A1	8/2017	Huang et al.	
2017/0295567	A1 *	10/2017	Chen	H04W 76/11
2017/0303240	A1 *	10/2017	Basu Mallick	H04W 72/23
2017/0353848	A1 *	12/2017	He	H04L 5/0028
2018/0020387	A1 *	1/2018	Van Der Velde	H04W 72/542

2018/0086100	A1	3/2018	Uematsu	
2018/0091254	A1 *	3/2018	Ryu	H04W 52/18
2018/0332647	A1 *	11/2018	Li	H04W 76/14

FOREIGN PATENT DOCUMENTS

CN	103843444	A	6/2014
JP	2017-514355	A	6/2017
JP	2019-6128	A	1/2019
WO	2012/102546	A2	8/2012
WO	2014/003090	A1	1/2014
WO	2014/088819	A2	6/2014
WO	2015/139884	A1	9/2015

OTHER PUBLICATIONS

3GPP TR 36.843 V12.0.1, “3<sup>rd</sup> Generation Partnership Project; Technical Specification Group Radio Access Network; Study of LTE Device to Device Proximity Services; Radio Aspects (Release 12)”, Mar. 2014, 50 pages.

3GPP TSG RAN1, “3GPP RAN1 #78 Meeting Release 12 on D2D Small Cell Low Cost MTC;”, Dresden, Germany, Aug. 22, 2014, 68 pages.

Alcatel-Lucent, Alcatel-Lucent Shanghai Bell, Mode Configuration and switching[online], 3GPP TSG-RAN WG2#86 R2-142584, Retrieved from the Internet: URL: [http://www.3gpp.org/ftp/tsg\\_ran/WG2\\_RL2/TSGR2\\_86/Docs/R2-142584.zip](http://www.3gpp.org/ftp/tsg_ran/WG2_RL2/TSGR2_86/Docs/R2-142584.zip), May 16, 2014.

Catt, “Detailed Signaling Flow for D2D Discovery”, 3GPP TSG RAN WG2 Meeting #87, Dresden, Germany, Aug. 18-22, 2014, Agenda Item: 7.4.3, Document No. R2-143373, 4 pages.

CMCC, “Conditions to use mode 2 in IDLE,” R1-143239, Agenda Item: 7.2.3.2.3, 3GPP TSG-RAN WG1 #78, Dresden, Germany, Aug. 18-22, 2014, 4 pages.

Ericsson, “Broadcast of ProSe Control Information and Related Procedures,” R2-142604, Agenda Item: 7.4.2.2, 3GPP TSG-RAN WG2 #86, Seoul, South Korea, May 19-23, 2014, 5 pages.

Ericsson, Frame Structure for D2D-Enabled LTE Carrier and Resources Configuration[online], 3GPP TSG-RAN WG1#78 R1-143367, Retrieved from the Internet: URL: [http://www.3gpp.org/ftp/tsg\\_ran/WG1\\_RL1/TSGR1\\_78/Docs/R1-143367.zip](http://www.3gpp.org/ftp/tsg_ran/WG1_RL1/TSGR1_78/Docs/R1-143367.zip), Aug. 22, 2014.

Extended European Search Report, dated Sep. 27, 2017, for corresponding European Application No. 14902505.8-1505 / 3198933, 9 pages.

Extended European Search Report dated Nov. 24, 2020 for related European Patent Application No. 20188652.0, 7 pages.

Fodor et al., “Design Aspects of Network Assisted Device-to-Device Communications,” *IEEE Communications Magazine*, Mar. 2012, 8 pages.

Intel Corporation, “Discussion on ProSe capability,” R2-143233, Agenda Item 7.4.2.1, 3GPP TSG-RAN WG2 #87, Dresden, Germany, Aug. 18-22, 2014, 4 pages.

Intel Corporation, “On D2D Resource Allocation Modes and In/Edge/Out of Coverage Definition”, 3GPP TSG RAN WG1 Meeting #77, Seoul, Korea, May 19-23, 2014, Agenda Item: 6.2.5.2.3, Document No. R1-142018, 6 pages.

Intel Corporation, “Remaining issues on exceptional cases using Mode 2,” R2-143237, Agenda Item: 7.4.2.1, 3GPP TSG-RAN WG2 #87, Dresden, Germany, Aug. 18-22, 2014, 2 pages.

International Search Report, dated Jul. 17, 2015, for corresponding International Application No. PCT/CN2014/087563, 2 pages.

Qualcomm Incorporated, “RRM Requirements for D2D”, 3GPP TSG-RAN WG4 Meeting #72, Dresden, Germany, Aug. 18-22, 2014, Agenda Item: 7.12.3, Document No. R4-145189, 7 pages.

J. Schlien et al., “Device to Device Communication in LTE” , Whitepaper; D2D Communication—1MA264\_0e, Rohde & Schwarz, 36 pages.

Sony, D2D Resource Allocation Mode Selection and exceptional cases[online], 3GPP TSG-RAN WG2#87 R2-143152, Retrieved from the Internet: URL: [http://www.3gpp.org/ftp/tsg\\_ran/WG2\\_RL2/TSGR2\\_87/Docs/R2-143152.zip](http://www.3gpp.org/ftp/tsg_ran/WG2_RL2/TSGR2_87/Docs/R2-143152.zip), Aug. 22, 2014.

\* cited by examiner

FIG. 1

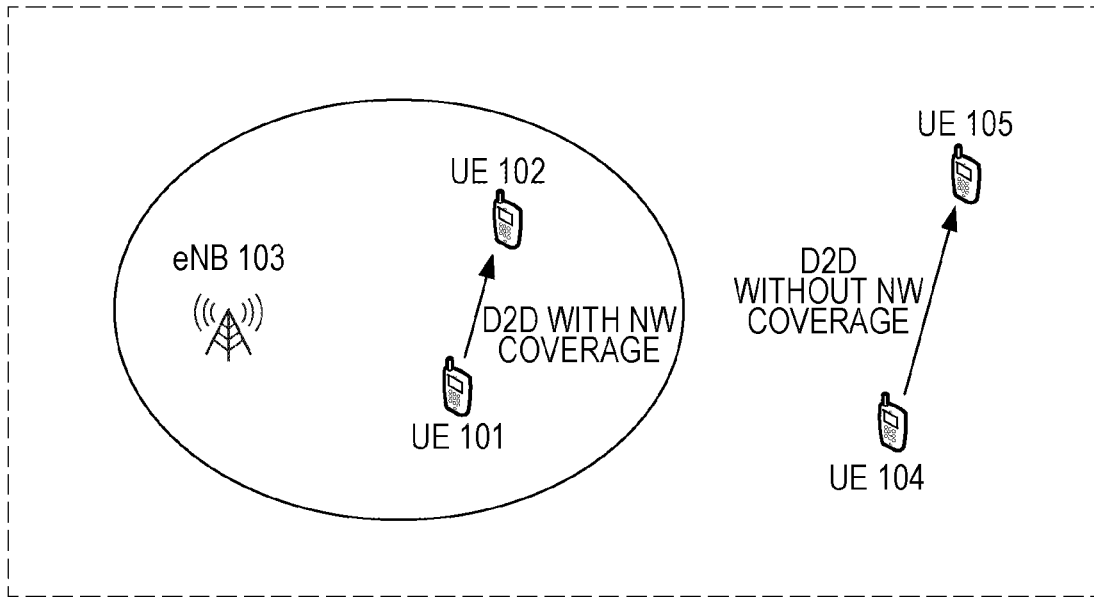


FIG. 2

200

201

CONTINUING D2D TRANSMISSION BY USING A RESOURCE FROM A TRANSMISSION RESOURCE POOL ALLOCATED FOR MODE 2 OPERATION WHEN SWITCHING FROM MODE 1 OPERATION TO MODE 2 OPERATION

FIG. 3

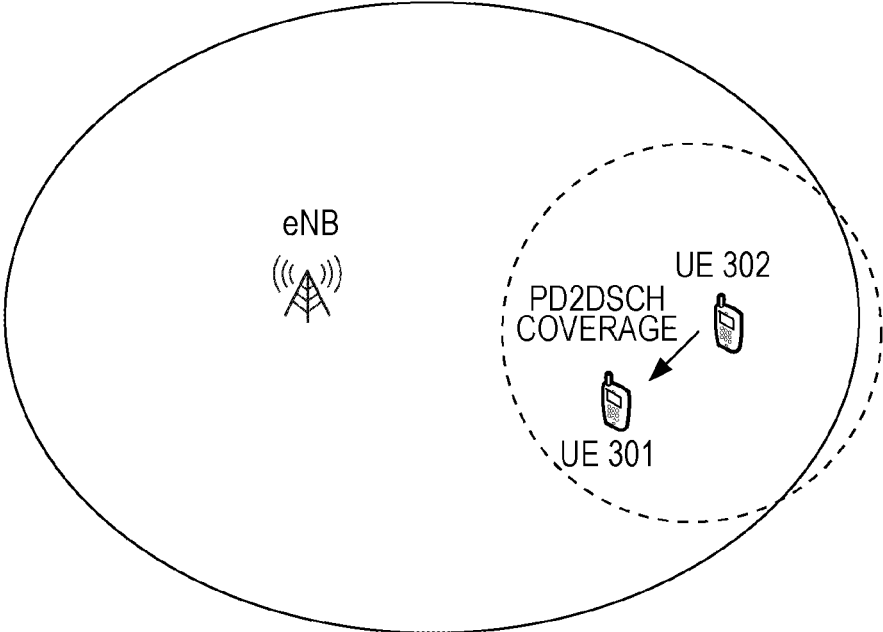


FIG. 4

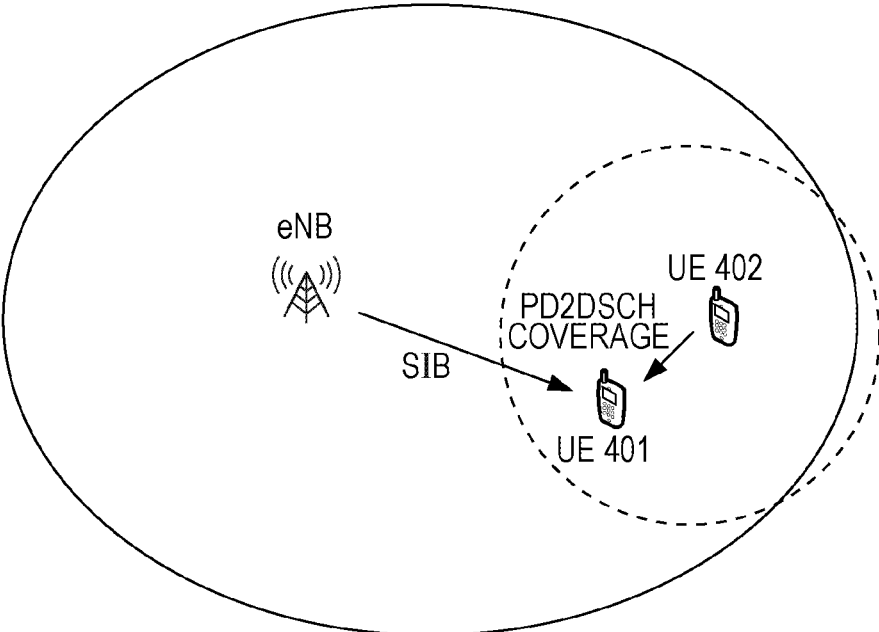


FIG. 5

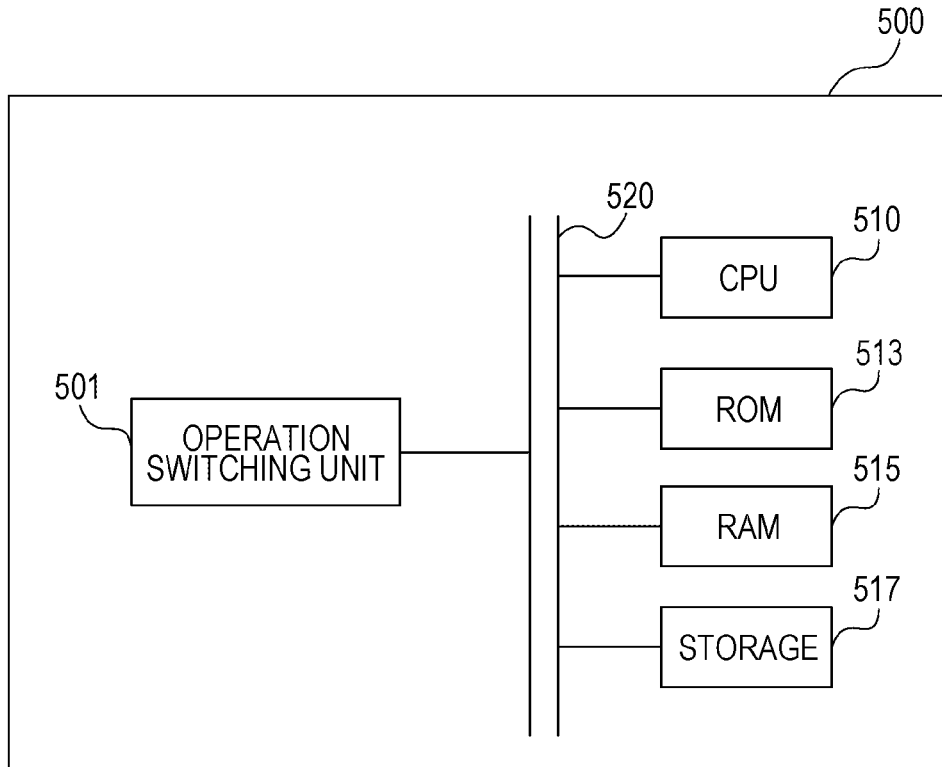


FIG. 6

600

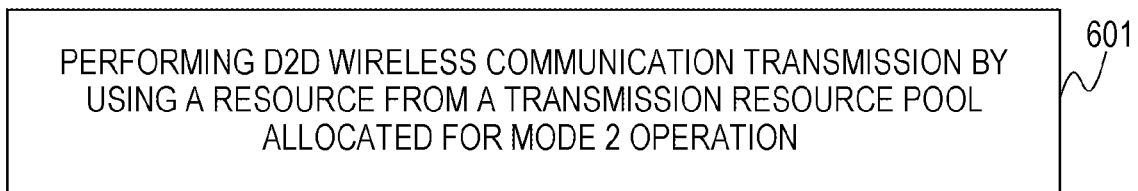
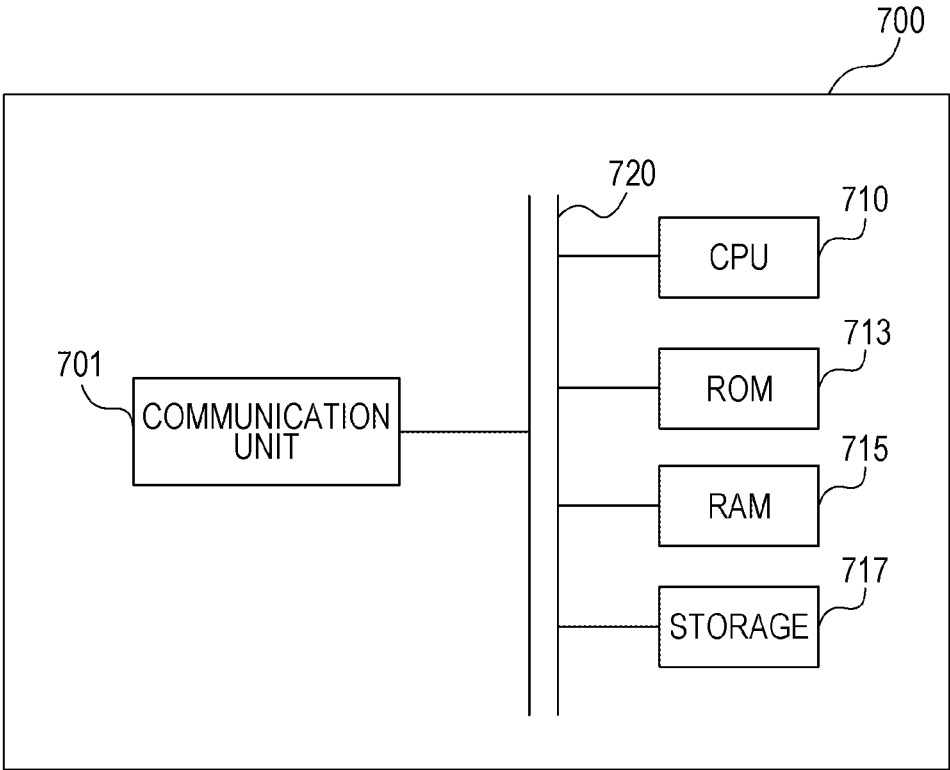


FIG. 7



## DEVICE-TO-DEVICE WIRELESS COMMUNICATION METHOD AND USER EQUIPMENT

### BACKGROUND

#### Technical Field

The present disclosure relates to the field of wireless communication, and in particular, to device-to-device (D2D) wireless communication methods and user equipments (UEs) therefor.

#### Description of the Related Art

Device-to-device (D2D) wireless communication is a new topic in 3GPP (3rd Generation Partnership Project) LTE (Long Term Evolution) Release 12. D2D communication could happen with wireless network coverage (e.g., for commercial case) or without network coverage (e.g., for public safety). FIG. 1 illustrates exemplary D2D communications with and without wireless network coverage. On the left side of FIG. 1, UE 101 and UE 102 are within the wireless network coverage of eNB (eNode B) 103, but they are communicating with each other directly (i.e., not through eNB 103). On the right side of FIG. 1, UE 104 and UE 105 are not within any wireless network coverage, and they are communicating with each other directly.

When UEs with D2D communication capability (D2D UEs) are with wireless network coverage, i.e., in LTE Wide Area Network (WAN), D2D UEs may operate with LTE WAN and D2D simultaneously, which means that in some radio resources/subframes, D2D UEs transmit/receive LTE WAN signals, but in other radio resources/subframes, D2D UEs transmit/receive D2D signals. Currently, from resource allocation point of view, D2D UEs can operate in one of the following two modes (refer to LTE Rel. 12) for D2D communication:

Mode 1: eNodeB or LTE rel-10 relay node schedules the exact resources used by a UE to transmit direct data and direct control information;

Mode 2: a UE on its own selects resources from resource pools to transmit direct data and direct control information.

In mode 1, the resources of D2D transmission are allocated or fully controlled by an eNB, but in mode 2, the UE itself selects the resources for D2D transmission.

### BRIEF SUMMARY

In one general aspect, the techniques disclosed here feature a device-to-device (D2D) wireless communication method performed by a user equipment (UE), including: continuing D2D transmission by using a resource from a transmission resource pool allocated for mode 2 operation when switching from mode 1 operation to mode 2 operation.

It should be noted that general or specific embodiments may be implemented as a system, a method, an integrated circuit, a computer program, a storage medium, or any selective combination thereof.

Additional benefits and advantages of the disclosed embodiments will become apparent from the specification and drawings. The benefits and/or advantages may be individually obtained by the various embodiments and features of the specification and drawings, which need not all be provided in order to obtain one or more of such benefits and/or advantages.

## BRIEF DESCRIPTION OF THE SEVERAL VIEWS OF THE DRAWINGS

FIG. 1 illustrates exemplary D2D communications with and without wireless network coverage;

FIG. 2 illustrates a flowchart of a D2D wireless communication method according to a first embodiment of the present disclosure;

FIG. 3 illustrates a schematic diagram of the UE switching from mode 1 operation to mode 2 operation to receive PD2DSCH from another UE;

FIG. 4 illustrates a schematic diagram in which the UE switching from mode 1 operation to mode 2 operation receives resource pool indications from both the PD2DSCH and the SIB;

FIG. 5 is a block diagram illustrating a UE according to the first embodiment of the present disclosure;

FIG. 6 illustrates a flowchart of a D2D wireless communication method according to a second embodiment of the present disclosure; and

FIG. 7 is a block diagram illustrating a UE according to the second embodiment of the present disclosure.

### DETAILED DESCRIPTION

In the following detailed description, reference is made to the accompanying drawings, which form a part thereof. In the drawings, similar symbols typically identify similar components, unless context dictates otherwise. It will be readily understood that the aspects of the present disclosure can be arranged, substituted, combined, and designed in a wide variety of different configurations, all of which are explicitly contemplated and made part of this disclosure.

#### First Embodiment

As described in the above, a UE can perform D2D communication in mode 1 or mode 2. In some cases, the UE may need to switch from mode 1 operation to mode 2 operation. For example, the UE operating in mode 1 may need to carry out mode 2 transmission to keep continuous D2D operation in some exceptional cases in which the UE cannot operate in mode 1 temporarily. In other words, the switching from mode 1 operation to mode 2 operation can be triggered by an exceptional case in which the UE cannot operate in mode 1 temporarily. The candidate conditions to trigger such exceptional mode 2 transmission can for example be that

the grant for ProSe communication is not received within a period after sending ProSe-BSR, or  
the grant for ProSe-BSR is not received within a period after initiation of resource request for ProSe communication.

When a UE switches from mode 1 operation to mode 2 operation, what resource the UE would use and how the UE determines the resource for mode 2 operation become important issues, especially in an exceptional case. In a first embodiment of the present disclosure, it is provided that the UE continues D2D transmission by using a resource from a transmission resource pool allocated for mode 2 operation when switching from mode 1 operation to mode 2 operation. In the embodiment, the eNB will not allocate special mode 2 resources for the switching, for example, will not allocate exceptional mode 2 resources; rather the UE uses a resource from a normal mode 2 transmission resource pool, i.e., transmission resource pool allocated for mode 2 operation.

In particular, the first embodiment provides a D2D wireless communication method **200** performed by a UE as shown in FIG. **2** which illustrates a flowchart of the D2D wireless communication method **200** according to the first embodiment of the present disclosure. The method **200** includes a step **201** of continuing D2D transmission by using a resource from a transmission resource pool allocated for mode 2 operation when switching from mode 1 operation to mode 2 operation.

In the first embodiment, the transmission resource pool allocated for mode 2 operation, i.e., a normal mode 2 transmission resource pool which is not specific to the mode switching, is used to continue D2D communication when the UE switches from mode 1 to mode 2. Since no special resource is allocated for the switching and the normal mode 2 transmission resource pool is reused, the embodiment of the present disclosure saves sources, and potentially saves the signaling overhead for allocating the special switching resource.

In an example of the first embodiment, the transmission resource pool can be indicated in a physical device-to-device shared channel (PD2DSCH) transmitted by one or more other UE(s). PD2DSCH is a D2D channel which was agreed in 3GPP RAN1 (refer to LTE Rel. 12) and used for in-coverage UEs to forward some synchronization/timing and resource pool/power control parameters to OOC UEs. The intention is to protect LTE WAN traffic and in-coverage mode1/2 transmissions. In the present disclosure, the UE switching from mode 1 operation to mode 2 operation can also receive PD2DSCH transmitted from one or more other UE(s), though it may be within the wireless network coverage, in order to get knowledge of the transmission resource pool for mode 2 operation. FIG. **3** illustrates a schematic diagram of the UE switching from mode 1 operation to mode 2 operation to receive PD2DSCH from another UE. In FIG. **3**, UE **301** is the UE switching from mode 1 operation to mode 2, and UE **302** is the UE which forwards PD2DSCH. It can be seen that UE **301** is within the PD2DSCH coverage of UE **302**, and thus UE **301** can receive PD2DSCH transmitted from UE **302**. Specifically, if the PD2DSCH is transmitted by multiple UEs, soft combining can be used to receive the PD2DSCH. According to this example, the transmission resource pool for normal mode 2 operation can be indicated to the UE switching from mode 1 operation to mode 2 operation without additional signaling overhead.

In other examples, the transmission resource pool can also be indicated by a dedicated RRC signaling transmitted by an eNB, a SIB transmitted by an eNB, or pre-configuration. In particular, sometimes, the UE switching from mode 1 operation to mode 2 operation may be able to obtain more than one resource pool indication. In this case, according to an example, the dedicated RRC signaling, the SIB, the PD2DSCH and the pre-configuration are in descending order in priority when determining the transmission resource pool. In other words, the priority of the dedicated RRC signaling is higher than the SIB, the priority of the SIB is higher than the PD2DSCH, and the priority of the PD2DSCH is higher than the pre-configuration. In conclusion, in this example, the transmission resource pool can be indicated by a dedicated RRC signaling transmitted by an eNB, a SIB transmitted by an eNB, a PD2DSCH transmitted by other UE(s), and/or pre-configuration, and the dedicated RRC signaling, the SIB, the PD2DSCH and the pre-configuration are in descending order in priority when determining the transmission resource pool. FIG. **4** illustrates a schematic diagram in which the UE **401** switching from mode 1 operation to mode 2 operation receives resource

pool indications from both the PD2DSCH and the SIB. In this case, the UE **401** will select the resource pool indicated in the SIB since the priority of the SIB is higher than the PD2DSCH. Accordingly, at the receiving side, any receiving UE can receive D2D signals in a union of indicated or pre-configured D2D receiving resource pool(s), wherein the indicated D2D receiving resource pool(s) can be a receiving resource pool indicated by the RRC signaling transmitted by an eNB, a receiving resource pool indicated by the SIB transmitted by an eNB, and/or a receiving resource pool indicated by the PD2DSCH transmitted by other UE(s). Herein, the D2D receiving resource pool refers to a resource pool for receiving D2D signals. It is noted that if only one receiving resource pool is indicated or pre-configured, the union of it is the one receiving resource pool itself.

In the first embodiment, a UE for D2D wireless communication is also provided. FIG. **5** is a block diagram illustrating a UE **500** according to the first embodiment of the present disclosure. UE **500** includes an operation switching unit **501**. The operation switching unit **501** can be configured to continue D2D transmission by using a resource from a transmission resource pool allocated for mode 2 operation when switching from mode 1 operation to mode 2 operation.

The UE **500** according to the present disclosure may optionally include a CPU (Central Processing Unit) **510** for executing related programs to process various data and control operations of respective units in the UE **500**, a ROM (Read Only Memory) **513** for storing various programs required for performing various process and control by the CPU **510**, a RAM (Random Access Memory) **515** for storing intermediate data temporarily produced in the procedure of process and control by the CPU **510**, and/or a storage unit **517** for storing various programs, data and so on. The above operation switching unit **501**, CPU **510**, ROM **513**, RAM **515** and/or storage unit **517**, etc., may be interconnected via data and/or command bus **520** and transfer signals between one another.

Respective units as described above do not limit the scope of the present disclosure. According to one implementation of the disclosure, the functions of the above operation switching unit **501** may be implemented by hardware, and the above CPU **510**, ROM **513**, RAM **515** and/or storage unit **517** may not be necessary. Alternatively, the functions of the above operation switching unit **501** may also be implemented by functional software in combination with the above CPU **510**, ROM **513**, RAM **515** and/or storage unit **517**, etc.

#### Second Embodiment

In the second embodiment of the present disclosure, the priority rule on mode 2 resource selection mentioned in the first embodiment can be extended to any mode 2 operation, and it is not limited to the switching from mode 1 to mode 2, and especially, not limited to the exceptional case mentioned in the first embodiment.

In particular, the second embodiment provides a D2D wireless communication method **600** performed by a UE as shown in FIG. **6** which illustrates a flowchart of the D2D wireless communication method **600** according to the second embodiment of the present disclosure. The method **600** includes a step **601** of performing D2D transmission by using a resource from a transmission resource pool allocated for mode 2 operation. In the second embodiment, the transmission resource pool is indicated by a dedicated RRC signaling transmitted by an eNode B (eNB), a system information block (SIB) transmitted by an eNB, a physical



device-to-device shared channel (PD2DSCH) transmitted by other UE(s), and/or pre-configuration, and the dedicated RRC signaling, the SIB, the PD2DSCH and the pre-configuration are in descending order in priority when determining the transmission resource pool. It is noted that related descriptions in the first embodiment can also be applied to the second embodiment, which are not described repeatedly here.

In particular, for mode 2 UEs with RRC\_CONNECTED status, the following priority rule can be applied: Dedicated RRC signaling indicated>SIB indicated>PD2DSCH indicated>Preconfigured. For mode 2 UEs with RRC\_IDLE status, the following priority rule can be applied: SIB indicated>PD2DSCH indicated>Preconfigured. For OOC UEs which are close to an LTE WAN cell and can receive PD2DSCH information, the following priority rule can be applied: PD2DSCH indicated>Preconfigured.

In the second embodiment, a UE for D2D wireless communication is also provided. FIG. 7 is a block diagram illustrating a UE 700 according to the second embodiment of the present disclosure. UE 700 includes a communication unit 701. The communication unit 701 can be configured to perform D2D transmission by using a resource from a transmission resource pool allocated for mode 2 operation, wherein the transmission resource pool is indicated by a dedicated RRC signaling transmitted by an eNode B (eNB), a system information block (SIB) transmitted by an eNB, a physical device-to-device shared channel (PD2DSCH) transmitted by other UE(s), and/or pre-configuration, and the dedicated RRC signaling, the SIB, the PD2DSCH and the pre-configuration are in descending order in priority when determining the transmission resource pool.

The UE 700 according to the present disclosure may optionally include a CPU (Central Processing Unit) 710 for executing related programs to process various data and control operations of respective units in the UE 700, a ROM (Read Only Memory) 713 for storing various programs required for performing various process and control by the CPU 710, a RAM (Random Access Memory) 715 for storing intermediate data temporarily produced in the procedure of process and control by the CPU 710, and/or a storage unit 717 for storing various programs, data and so on. The above communication unit 701, CPU 710, ROM 713, RAM 715 and/or storage unit 717, etc., may be interconnected via data and/or command bus 720 and transfer signals between one another.

Respective units as described above do not limit the scope of the present disclosure. According to one implementation of the disclosure, the functions of the above communication unit 701 may be implemented by hardware, and the above CPU 710, ROM 713, RAM 715 and/or storage unit 717 may not be necessary. Alternatively, the functions of the above communication unit 701 may also be implemented by functional software in combination with the above CPU 710, ROM 713, RAM 715 and/or storage unit 717, etc.

Accordingly, at the receiving side, there are provided a device-to-device (D2D) wireless communication method performed by a user equipment (UE) and a corresponding UE. The communication method includes receiving D2D signals in a union of indicated or pre-configured D2D receiving resource pool(s). The UE includes a communication unit configured to receive D2D signals in a union of indicated or pre-configured D2D receiving resource pool(s). Here, the indicated D2D receiving resource pool(s) are a receiving resource pool indicated by a dedicated radio resource control (RRC) signaling transmitted by an eNode B (eNB), a receiving resource pool indicated by a system

information block (SIB) transmitted by an eNB, and/or a receiving resource pool indicated by a physical device-to-device shared channel (PD2DSCH) transmitted by other UE(s). It is noted that the above descriptions concerning the communication method 600 and the UE 700 can also be applied here unless the context indicates otherwise.

The present disclosure can be realized by software, hardware, or software in cooperation with hardware. Each functional block used in the description of each embodiment described above can be realized by an LSI as an integrated circuit. They may be individually formed as chips, or one chip may be formed so as to include a part or all of the functional blocks. The LSI here may be referred to as an IC, a system LSI, a super LSI, or an ultra LSI depending on a difference in the degree of integration. However, the technique of implementing an integrated circuit is not limited to the LSI and may be realized by using a dedicated circuit or a general-purpose processor. In addition, an FPGA (Field Programmable Gate Array) that can be programmed after the manufacture of the LSI or a reconfigurable processor in which the connections and the settings of circuit cells disposed inside the LSI can be reconfigured may be used. Further, the calculation of each functional block can be performed by using calculating means, for example, including a DSP or a CPU, and the processing step of each function may be recorded on a recording medium as a program for execution. Furthermore, when a technology for implementing an integrated circuit that substitutes the LSI appears in accordance with the advancement of the semiconductor technology or other derivative technologies, it is apparent that the functional block may be integrated by using such technologies.

It is noted that the present disclosure intends to be variously changed or modified by those skilled in the art based on the description presented in the specification and known technologies without departing from the content and the scope of the present disclosure, and such changes and applications fall within the scope that claimed to be protected. Furthermore, in a range not departing from the content of the disclosure, the constituent elements of the above-described embodiments may be arbitrarily combined.

The invention claimed is:

1. A communication apparatus comprising:

- a receiver, which in operation, receives from a base station information of a first resource pool being indicated by a dedicated Radio Resource Control (RRC) signaling and information of a second resource pool being indicated by a System Information Block (SIB); and
- a transmitter, which in operation, transmits a device to device (D2D) signal using the first resource pool or the second resource pool,

wherein the first resource pool is utilized among the first resource pool, the second resource pool and a pre-configured resource pool in a case that the first resource pool and the second resource pool are indicated in an RRC\_CONNECTED state, and the second resource pool is utilized among the second resource pool and the pre-configured resource pool in a case that the second resource pool is indicated in an RRC\_IDLE state.

2. The communication apparatus according to claim 1, wherein a transmission of the D2D signal is in a non-exceptional case.

3. The communication apparatus according to claim 1, wherein the second resource pool is used when the communication apparatus switches from mode 1 to mode 2, the mode 1 being a transmission mode in which an eNode B

schedules resources for D2D communication and the mode 2 being a transmission mode in which the communication apparatus autonomously schedules resources for the D2D communication.

4. The communication apparatus according to claim 1, wherein each of the first resource pool and the second resource pool includes a plurality of resources, and the D2D signal is mapped to one of the plurality of resources.

5. A communication method comprising:

receiving from a base station information of a first resource pool being indicated by a dedicated Radio Resource Control (RRC) signaling and information of a second resource pool being indicated by a System Information Block (SIB); and

transmitting a device to device (D2D) signal using the first resource pool or the second resource pool, wherein the first resource pool is utilized among the first resource pool, the second resource pool and a preconfigured resource pool in a case that the first resource pool and the second resource pool are indicated in an

RRC\_CONNECTED state, and the second resource pool is utilized among the second resource pool and the preconfigured resource pool in a case that the second resource pool is indicated in an RRC\_IDLE state.

6. The communication method according to claim 5, wherein a transmission of the D2D signal is in a non-exceptional case.

7. The communication method according to claim 5, wherein the second resource pool is used when a communication apparatus switches from mode 1 to mode 2, the mode 1 being a transmission mode in which a base station schedules resources for D2D communication and the mode 2 being a transmission mode in which the communication apparatus autonomously schedules resources for the D2D communication.

8. The communication method according to claim 5, wherein each of the first resource pool and the second resource pool includes a plurality of resources, and the D2D signal is transmitted in one of the plurality of resources.

\* \* \* \* \*