



US011876978B2

(12) **United States Patent**  
**Chen et al.**

(10) **Patent No.:** **US 11,876,978 B2**

(45) **Date of Patent:** **Jan. 16, 2024**

(54) **INTRA PREDICTION MODE INFORMATION PROPAGATION FOR GEOMETRIC PARTITION MODE WITH IBC AND INTRA PREDICTION**

(71) Applicant: **Tencent America LLC**, Palo Alto, CA (US)

(72) Inventors: **Lien-Fei Chen**, Hsinchu (TW); **Xiang Li**, Saratoga, CA (US); **Shan Liu**, San Jose, CA (US)

(73) Assignee: **TENCENT AMERICA LLC**, Palo Alto, CA (US)

(\* ) Notice: Subject to any disclaimer, the term of this patent is extended or adjusted under 35 U.S.C. 154(b) by 0 days.

(21) Appl. No.: **17/898,447**

(22) Filed: **Aug. 29, 2022**

(65) **Prior Publication Data**

US 2023/0073917 A1 Mar. 9, 2023

**Related U.S. Application Data**

(60) Provisional application No. 63/239,221, filed on Aug. 31, 2021.

(51) **Int. Cl.**  
**H04N 19/159** (2014.01)  
**H04N 19/176** (2014.01)  
(Continued)

(52) **U.S. Cl.**  
CPC ..... **H04N 19/159** (2014.11); **H04N 19/119** (2014.11); **H04N 19/172** (2014.11); **H04N 19/176** (2014.11); **H04N 19/593** (2014.11)

(58) **Field of Classification Search**  
CPC .. H04N 19/159; H04N 19/119; H04N 19/172; H04N 19/176; H04N 19/593; H04N 19/11; H04N 19/96  
See application file for complete search history.

(56) **References Cited**

U.S. PATENT DOCUMENTS

2015/0063440 A1 3/2015 Pang et al.  
2019/0182481 A1\* 6/2019 Lee ..... H04N 19/11  
2020/0154100 A1 5/2020 Zhao et al.

FOREIGN PATENT DOCUMENTS

WO 2020232355 A1 11/2020  
WO 2020259426 A1 12/2020

OTHER PUBLICATIONS

High Efficiency Video Coding, Rec. ITU-T H.265 v4 Dec. 2016, pp. 1-664.

(Continued)

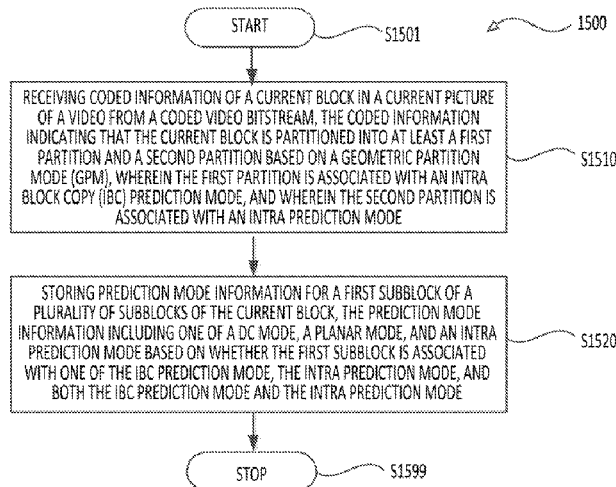
*Primary Examiner* — Nam D Pham

(74) *Attorney, Agent, or Firm* — ARENTFOX SCHIFF LLP

(57) **ABSTRACT**

In a method, coded information of a current block in a current picture of a video is received from a coded video bitstream. The coded information indicates that the current block is partitioned into at least a first partition and a second partition based on a geometric partition mode (GPM). The first partition is associated with an intra block copy (IBC) prediction mode, and the second partition is associated with an intra prediction mode. Prediction mode information for a first subblock of a plurality of subblocks of the current block is stored. The prediction mode information includes one of a DC mode, a Planar mode, and an intra prediction mode based on whether the first subblock is associated with one of the IBC prediction mode, the intra prediction mode, and both the IBC prediction mode and the intra prediction mode.

**20 Claims, 18 Drawing Sheets**



- (51) **Int. Cl.**  
*H04N 19/593* (2014.01)  
*H04N 19/119* (2014.01)  
*H04N 19/172* (2014.01)

- (56) **References Cited**

OTHER PUBLICATIONS

ITU-T and ISO/IEC, "Versatile Video Coding", ITU-T Rec. H.266 and ISO/IEC 23090-3, 2020, pp. 1-516.

Y. Kidani, H. Kato, and K. Kawamura, "AHG12: GPM with inter and intra prediction", ISO/IEC JTC1/SC29/WG11 JVET-W0110, Jul. 2021, pp. 1-3.

R.-L. Liao, Y. Ye, X. Li, and J. Chen, "EE2-related: Combination of GPM and template matching", ISO/IEC JTC1/SC29/WG11 JVET-V0117, Apr. 2021, pp. 1-2.

V. Seregin, et. al., "Exploration Experiment on Enhanced Compression beyond VVC capability", ISO/IEC JTC1/SC29/WG11 JVET-U2024, Jan. 2021, pp. 1-19.

Y.-J. Chang, et al., "Compression efficiency methods beyond VVC", ISO/IEC JTC1/SC29/WG11 JVET-U0100, Jan. 2021, pp. 1-13.

Y. Wang, L. Zhang, K. Zhang, Z. Deng, and N. Zhang, "EE2-related: Template-based intra mode derivation using MPMs", ISO/IEC JTC1/SC29/WG11 JVET-V0098, Apr. 2021, pp. 1-4.

K. Cao, N. Hu, V. Seregin, M. Karczewicz, Y. Wang, K. Zhang, and L. Zhang, "EE2-related: Fusion for template-based intra mode derivation", ISO/IEC JTC1/SC29/WG11 JVET-W0123, Jul. 2021, pp. 1-4.

International Search Report and Written Opinion issued in International Application No. PCT/US2022/075666, dated Dec. 6, 2022, 11 pages.

\* cited by examiner

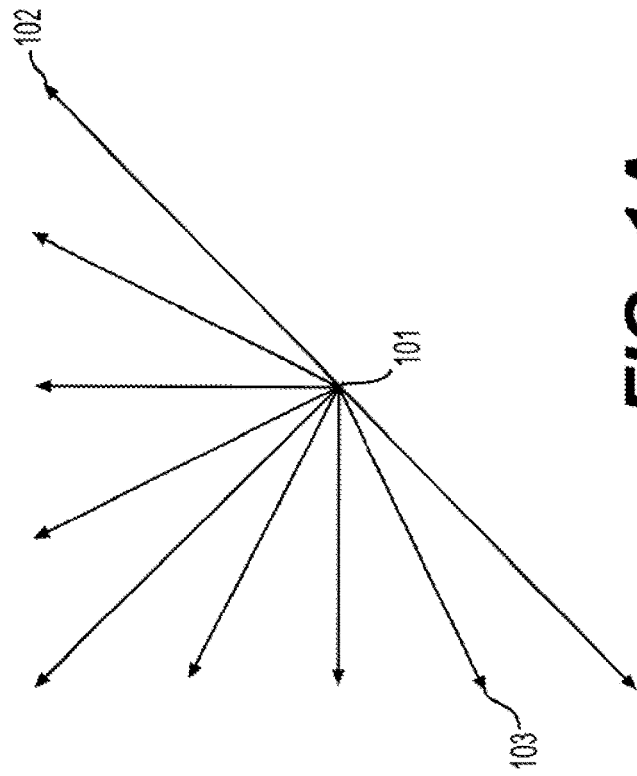
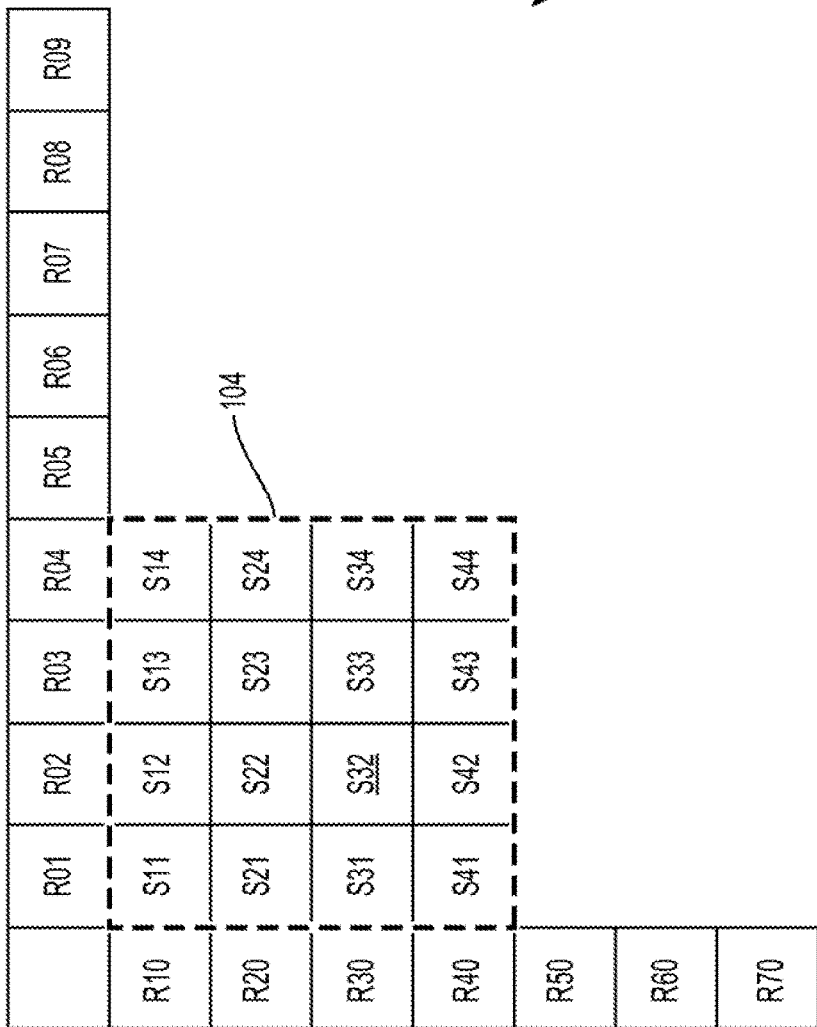
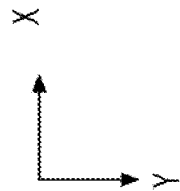
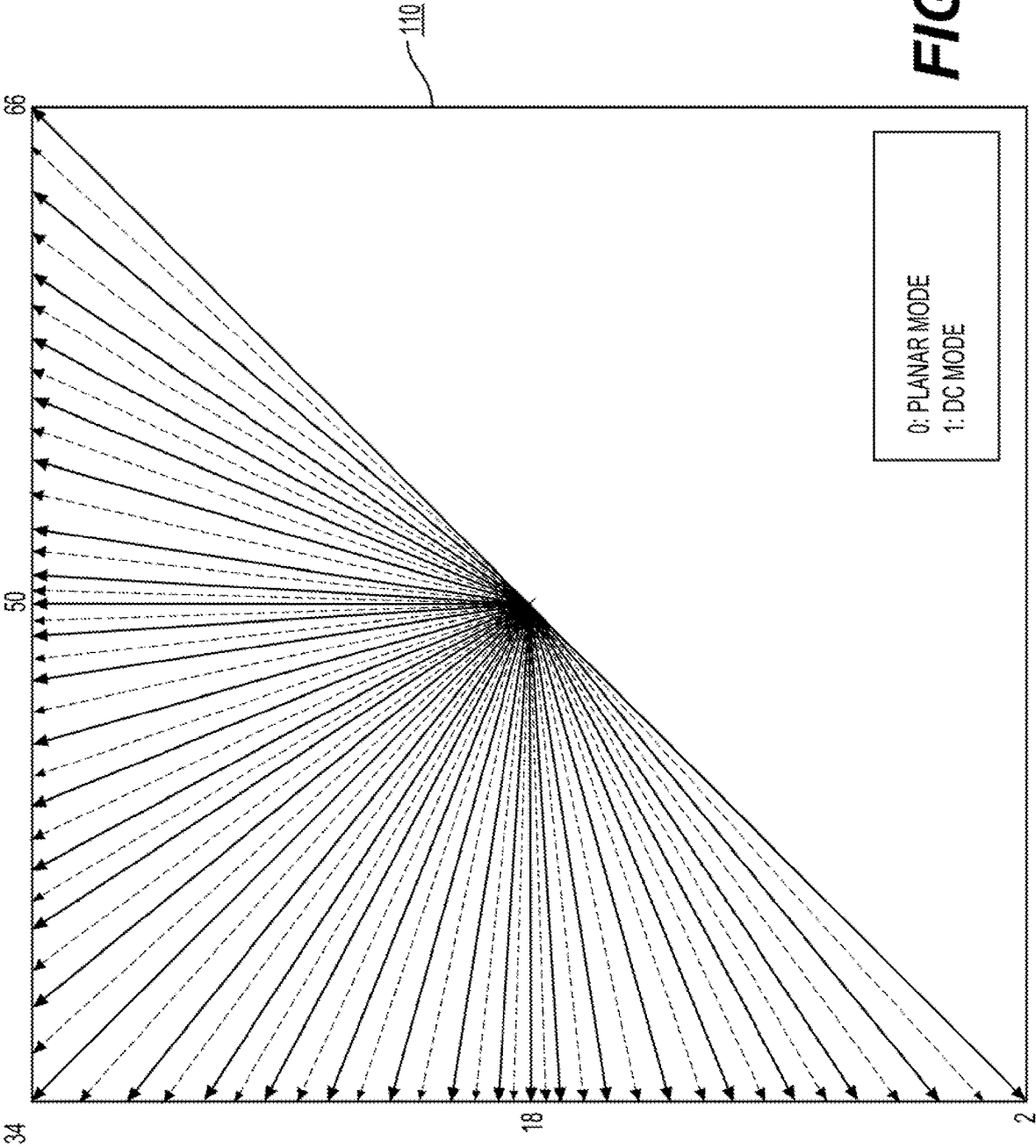
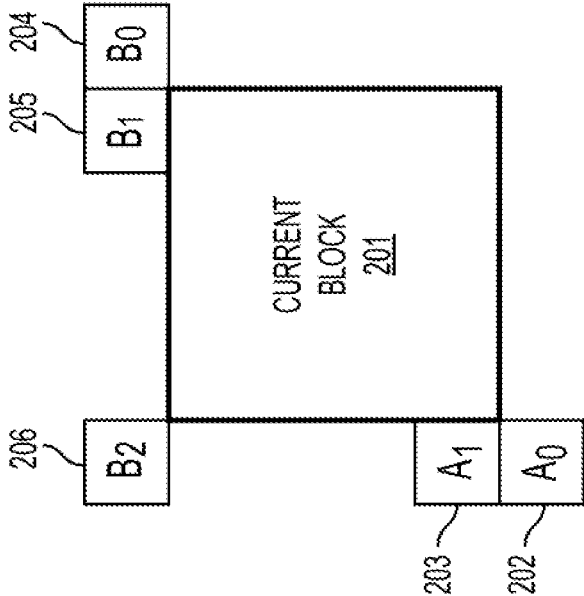


FIG. 1A

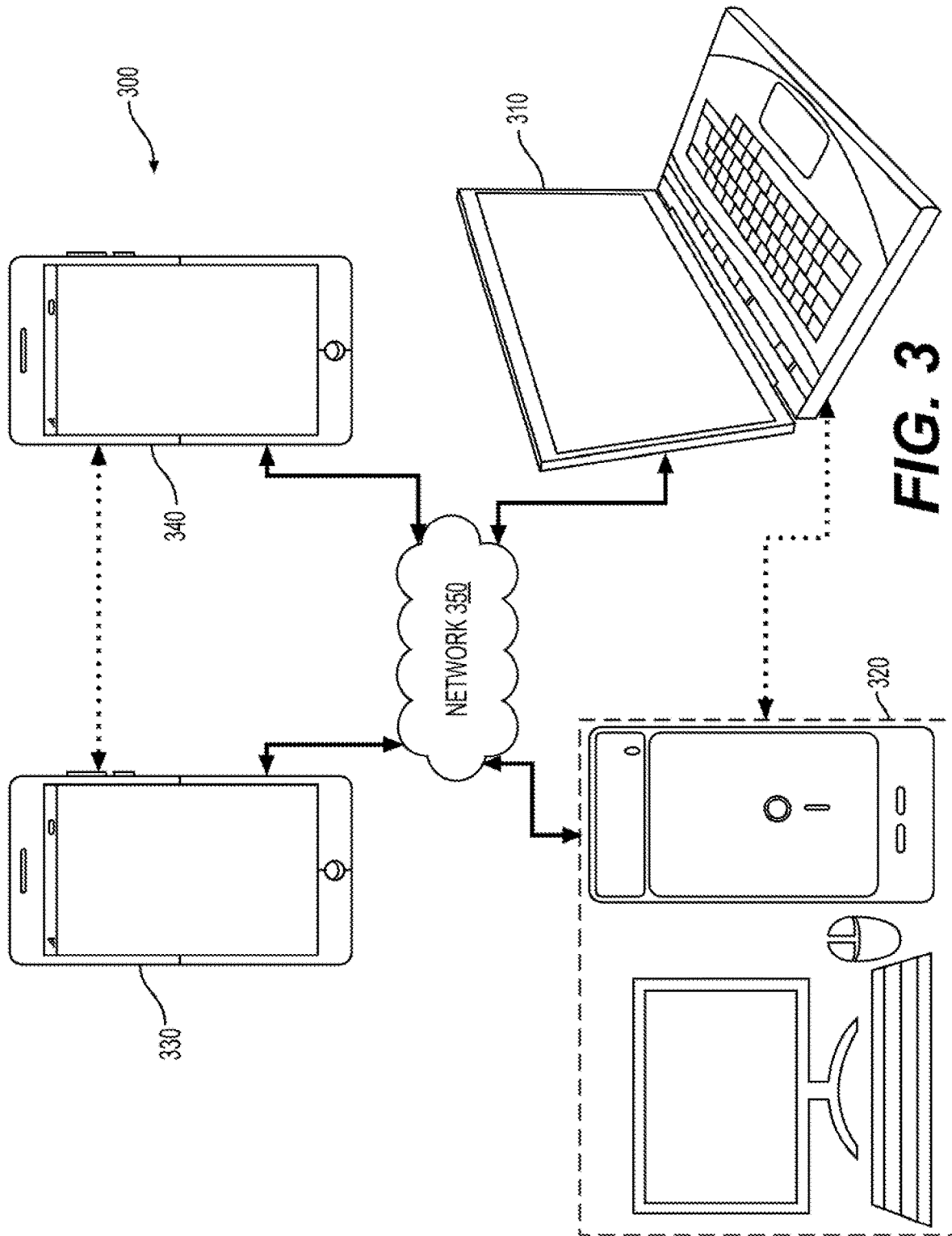




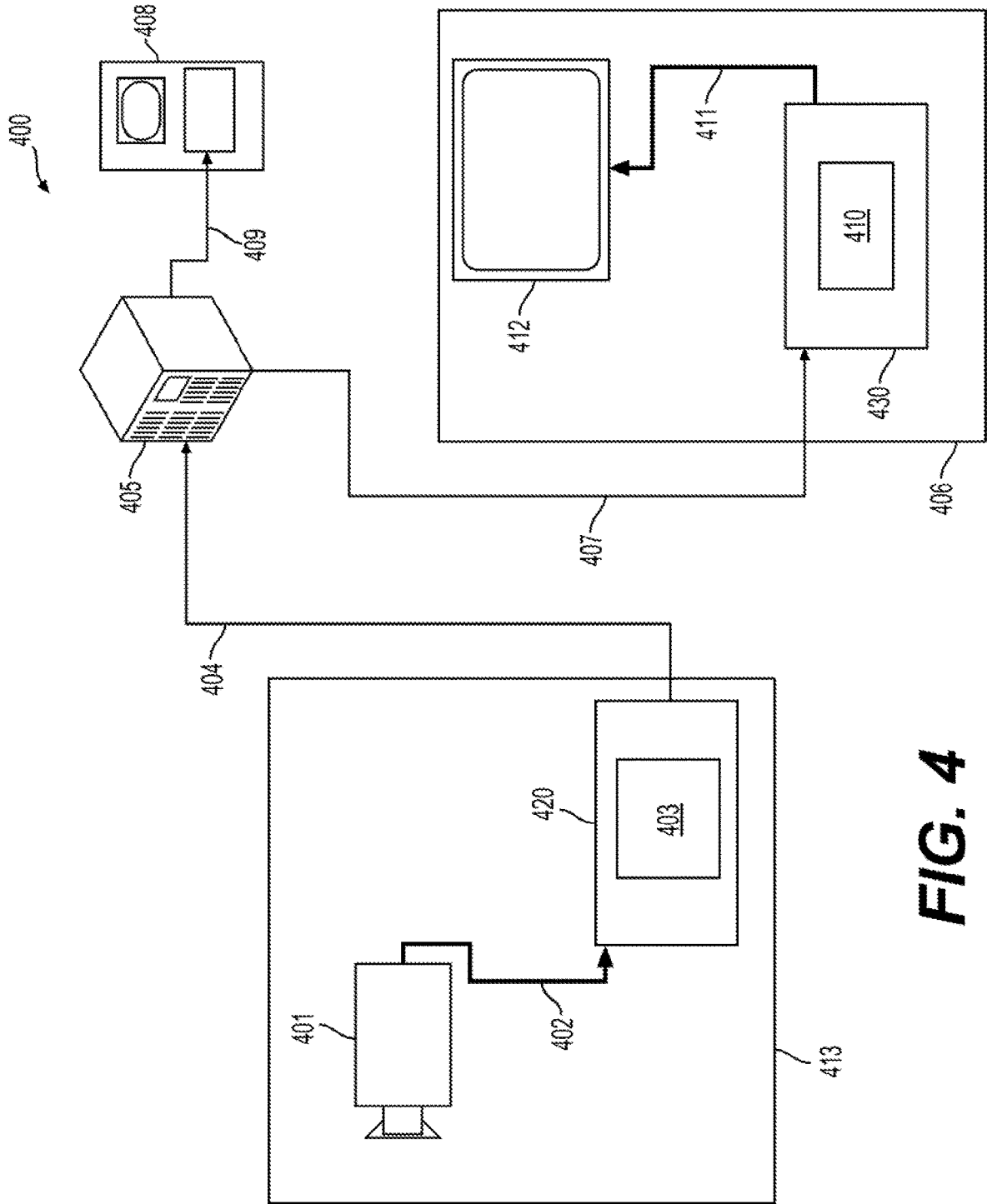
**FIG. 1B**



**FIG. 2**  
*(Related Art)*



**FIG. 3**



**FIG. 4**

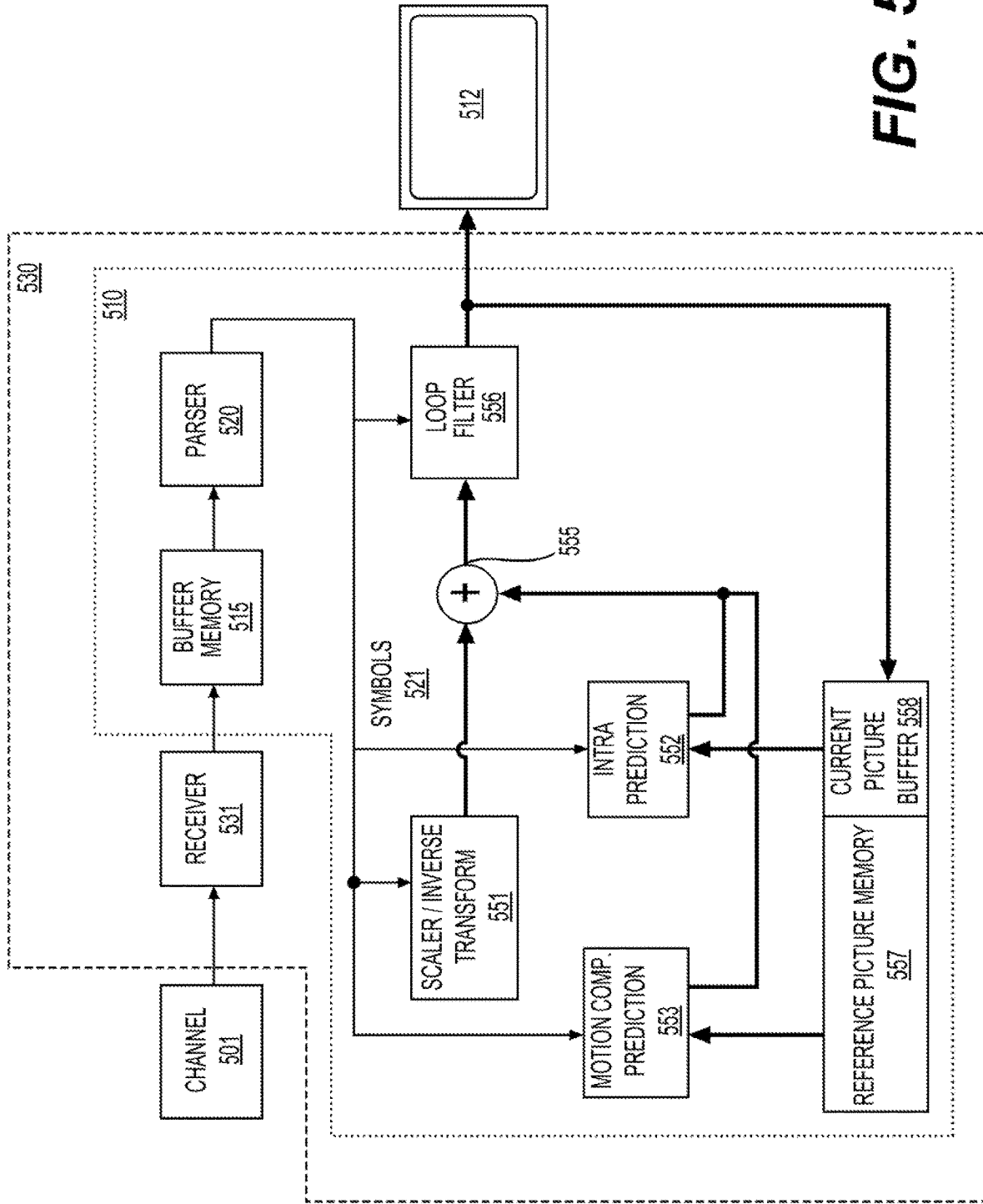


FIG. 5



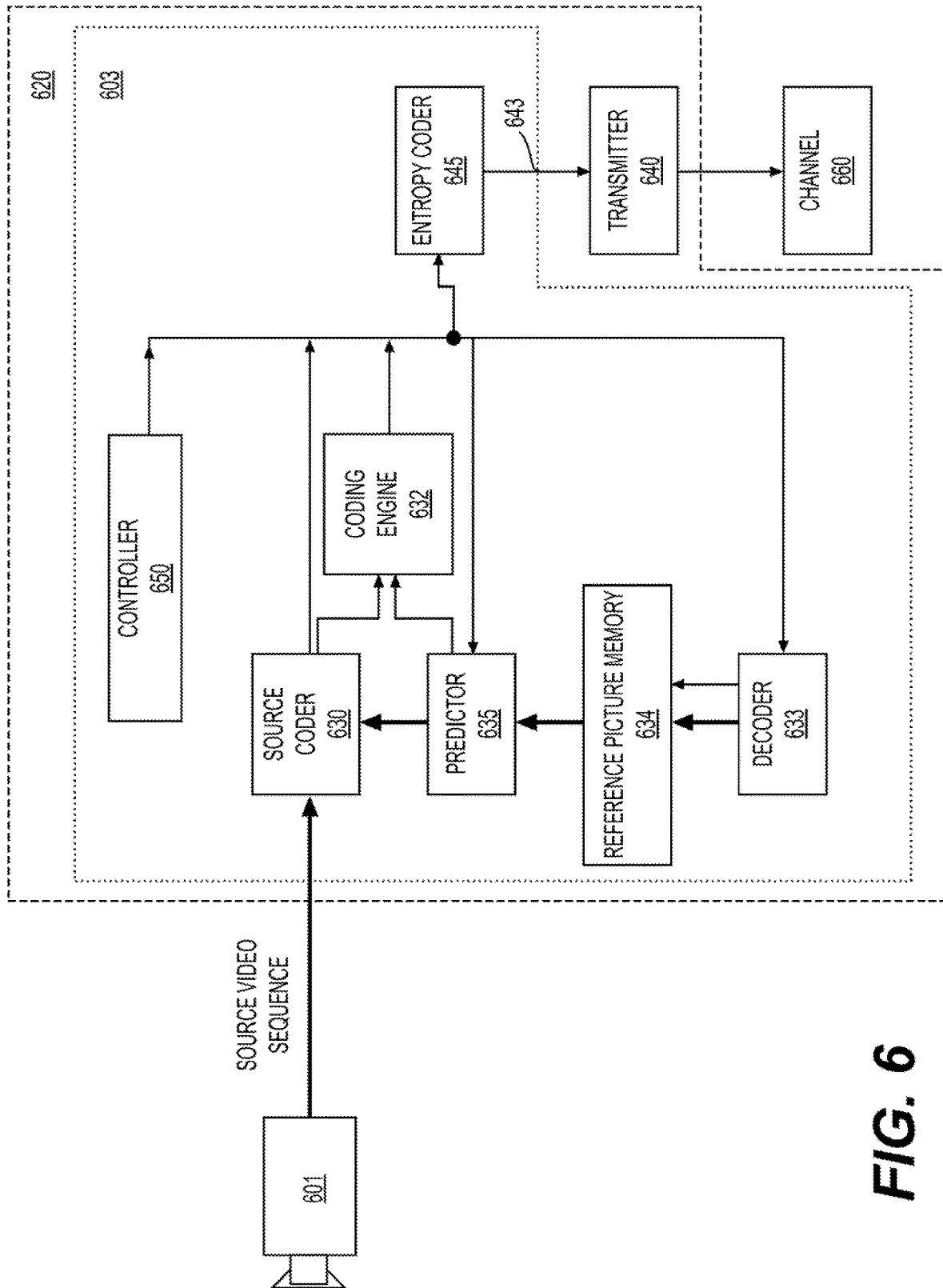


FIG. 6

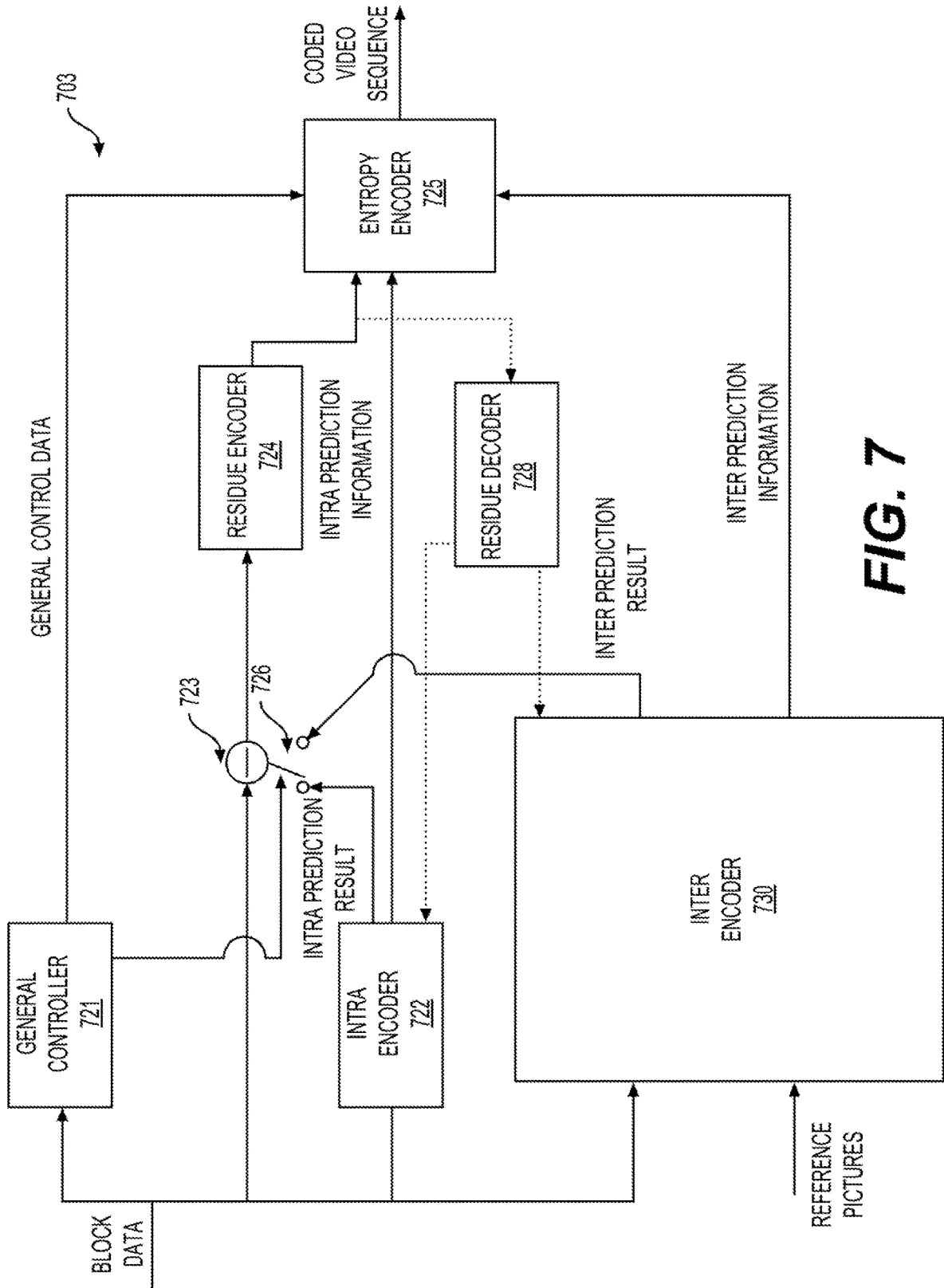


FIG. 7

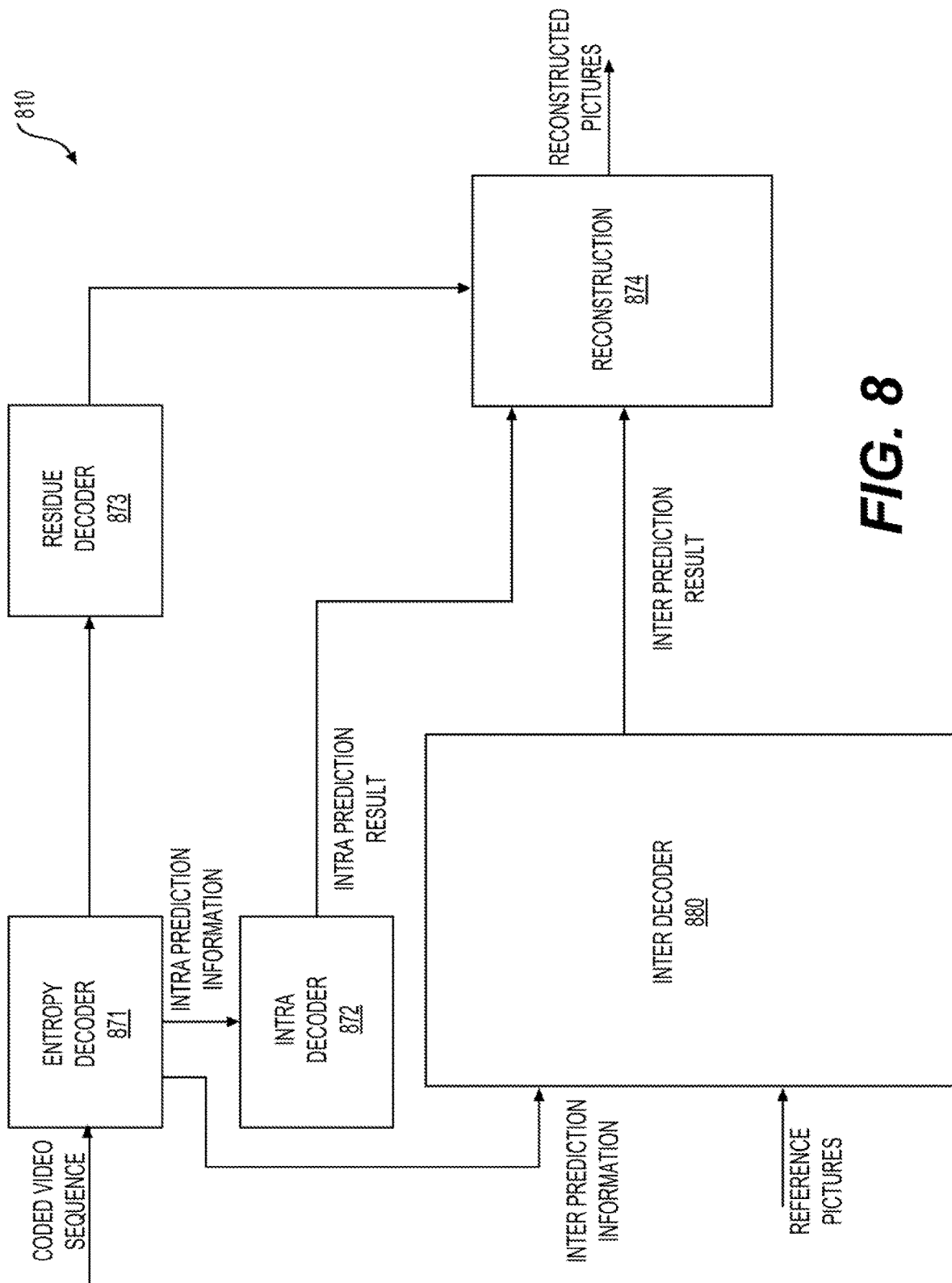
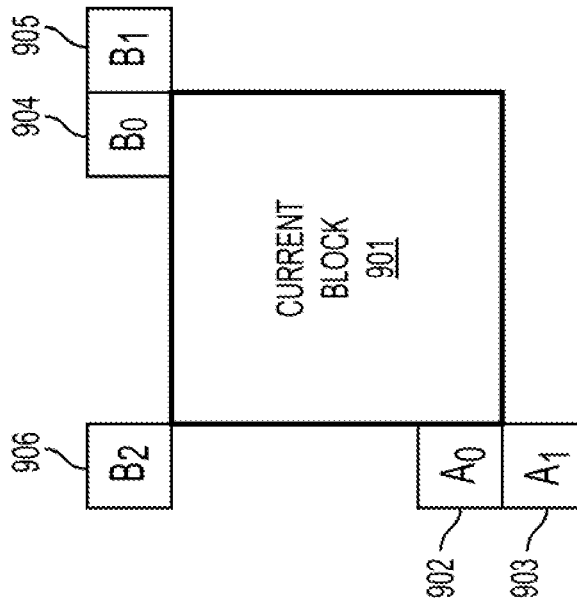
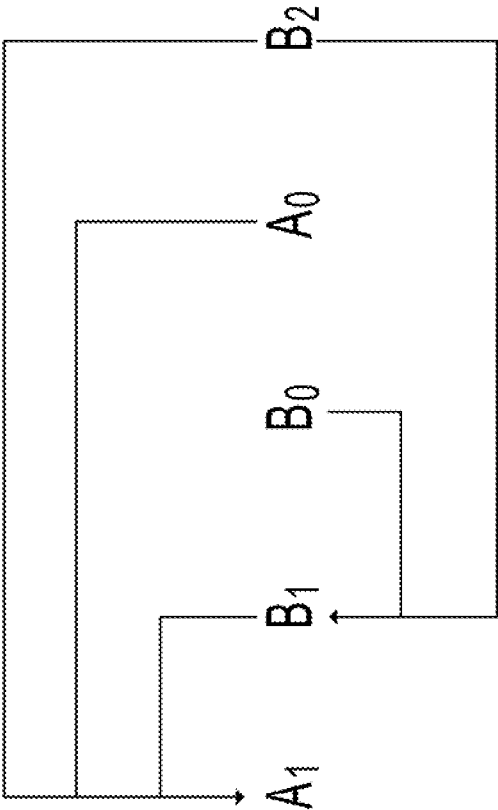


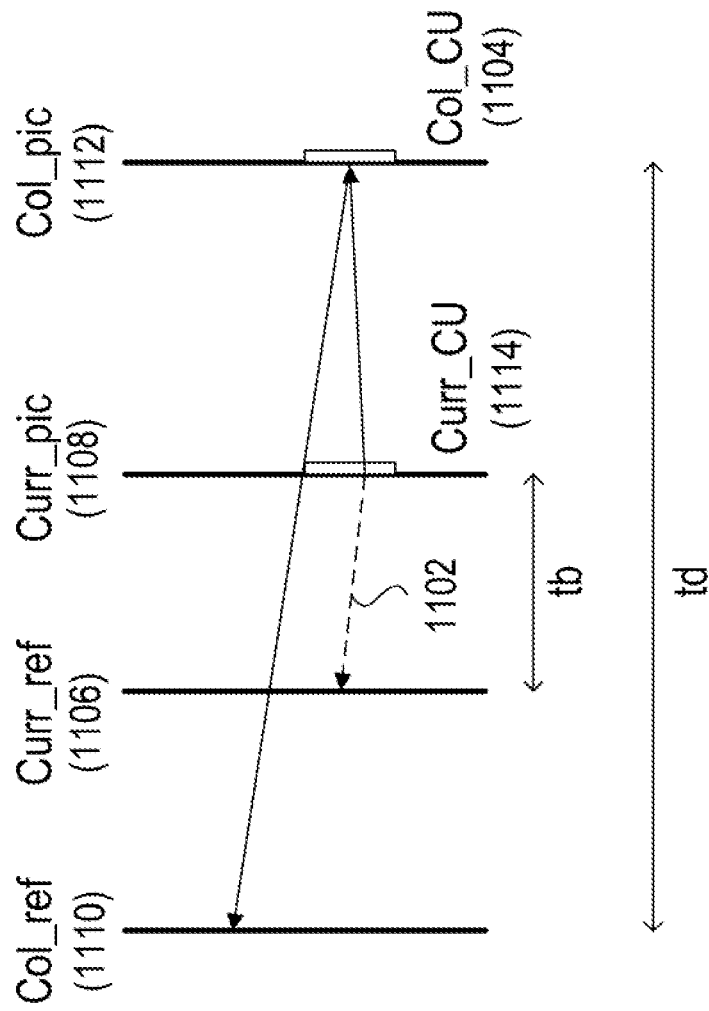
FIG. 8



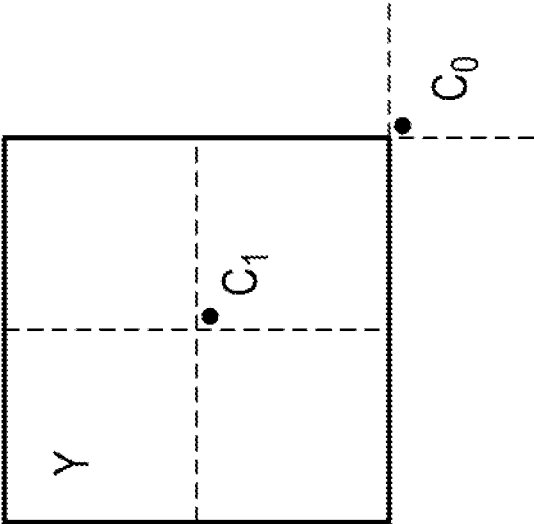
**FIG. 9**



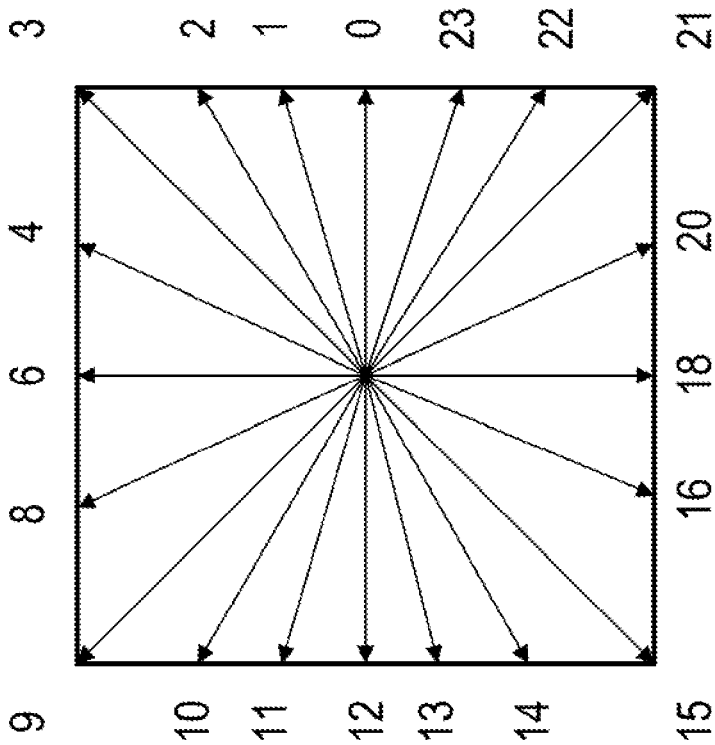
**FIG. 10**



**FIG. 11**

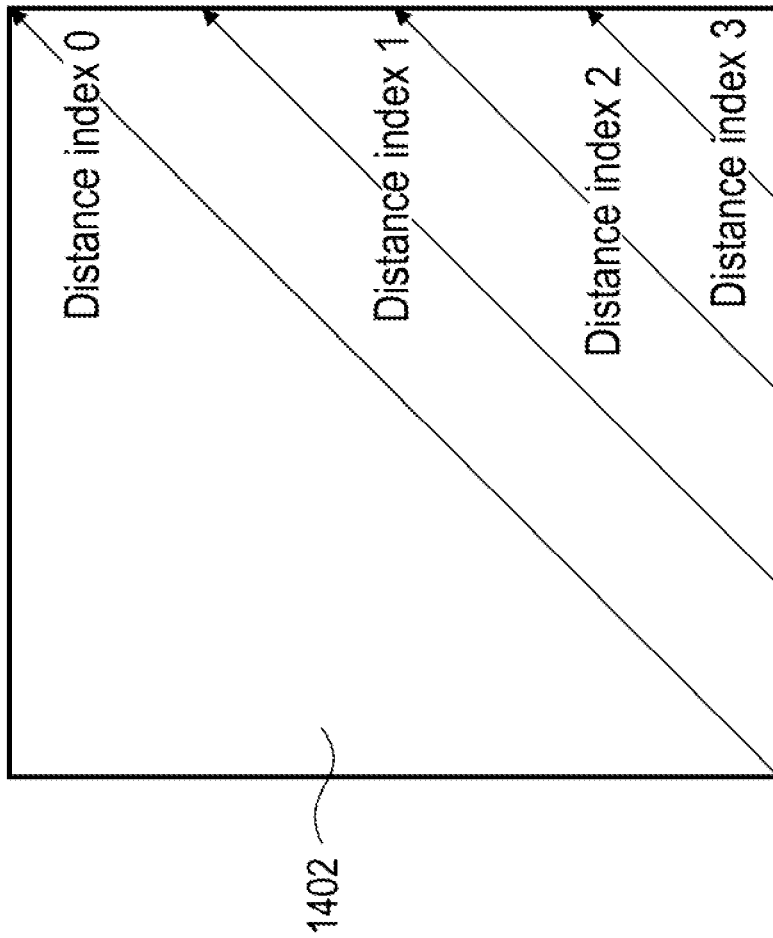


**FIG. 12**

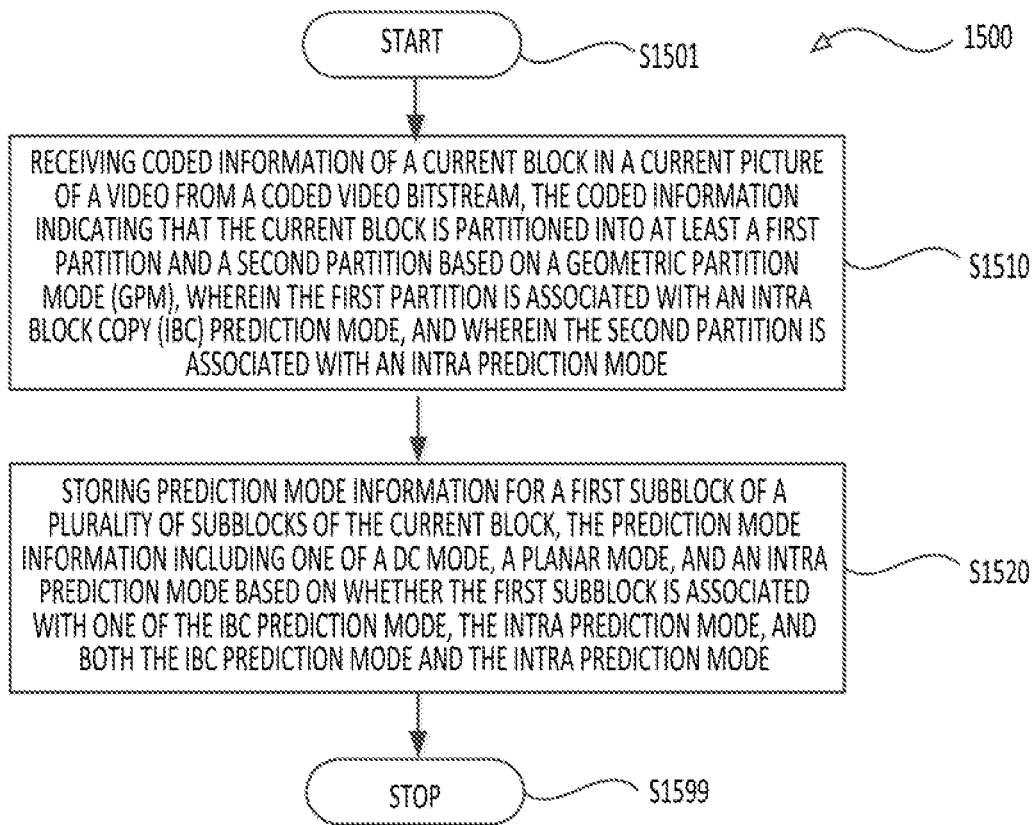


**FIG. 13**

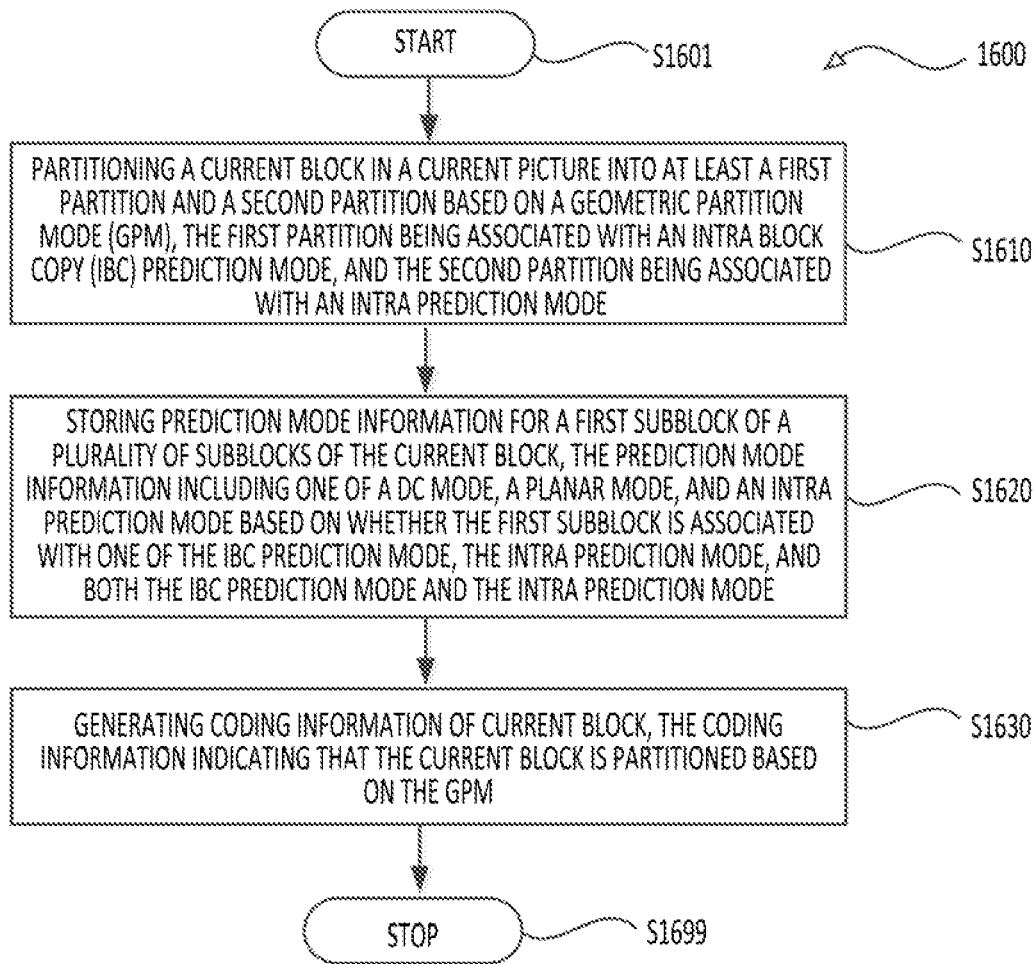




**FIG. 14**



**FIG. 15**



**FIG. 16**

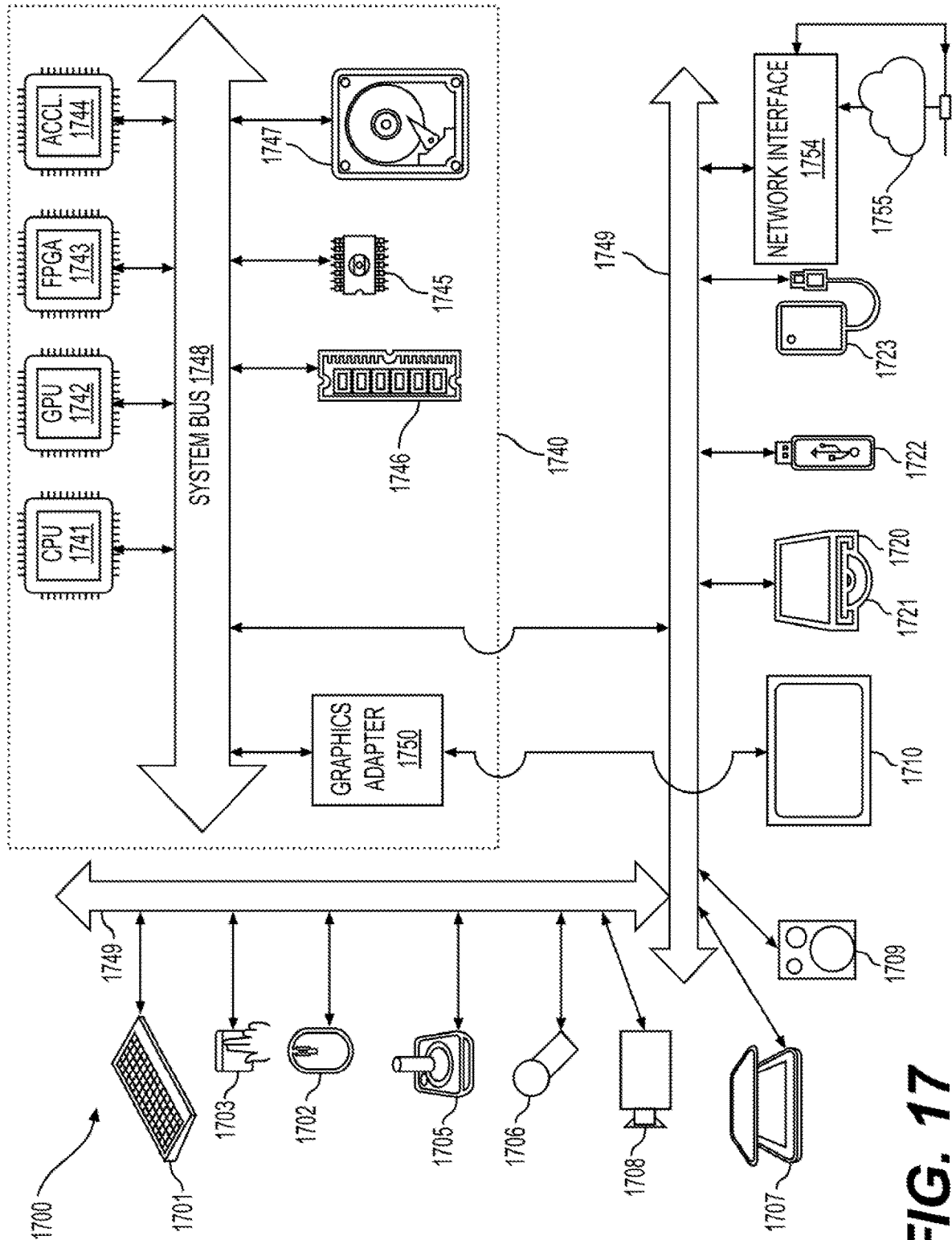


FIG. 17

**INTRA PREDICTION MODE INFORMATION  
PROPAGATION FOR GEOMETRIC  
PARTITION MODE WITH IBC AND INTRA  
PREDICTION**

INCORPORATION BY REFERENCE

The present disclosure claims the benefit of priority to U.S. Provisional Application No. 63/239,221, "Intra Prediction Mode Information Propagation for Geometric Partition Mode with IBC and Intra Prediction" filed on Aug. 31, 2021, which is incorporated by reference herein in its entirety.

TECHNICAL FIELD

The present disclosure describes embodiments generally related to video coding.

BACKGROUND

The background description provided herein is for the purpose of generally presenting the context of the disclosure. Work of the presently named inventors, to the extent the work is described in this background section, as well as aspects of the description that may not otherwise qualify as prior art at the time of filing, are neither expressly nor impliedly admitted as prior art against the present disclosure.

Uncompressed digital images and/or video can include a series of pictures, each picture having a spatial dimension of, for example, 1920×1080 luminance samples and associated chrominance samples. The series of pictures can have a fixed or variable picture rate (informally also known as frame rate), of, for example 60 pictures per second or 60 Hz. Uncompressed image and/or video has specific bitrate requirements. For example, 1080p60 4:2:0 video at 8 bit per sample (1920×1080 luminance sample resolution at 60 Hz frame rate) requires close to 1.5 Gbit/s bandwidth. An hour of such video requires more than 600 GBytes of storage space.

One purpose of image and/or video coding and decoding can be the reduction of redundancy in the input image and/or video signal, through compression. Compression can help reduce the aforementioned bandwidth and/or storage space requirements, in some cases by two orders of magnitude or more. Although the descriptions herein use video encoding/decoding as illustrative examples, the same techniques can be applied to image encoding/decoding in similar fashion without departing from the spirit of the present disclosure. Both lossless compression and lossy compression, as well as a combination thereof can be employed. Lossless compression refers to techniques where an exact copy of the original signal can be reconstructed from the compressed original signal. When using lossy compression, the reconstructed signal may not be identical to the original signal, but the distortion between original and reconstructed signals is small enough to make the reconstructed signal useful for the intended application. In the case of video, lossy compression is widely employed. The amount of distortion tolerated depends on the application; for example, users of certain consumer streaming applications may tolerate higher distortion than users of television distribution applications. The compression ratio achievable can reflect that: higher allowable/tolerable distortion can yield higher compression ratios.

A video encoder and decoder can utilize techniques from several broad categories, including, for example, motion compensation, transform processing, quantization, and entropy coding.

Video codec technologies can include techniques known as intra coding. In intra coding, sample values are represented without reference to samples or other data from previously reconstructed reference pictures. In some video codecs, the picture is spatially subdivided into blocks of samples. When all blocks of samples are coded in intra mode, that picture can be an intra picture. Intra pictures and their derivations such as independent decoder refresh pictures, can be used to reset the decoder state and can, therefore, be used as the first picture in a coded video bitstream and a video session, or as a still image. The samples of an intra block can be exposed to a transform, and the transform coefficients can be quantized before entropy coding. Intra prediction can be a technique that minimizes sample values in the pre-transform domain. In some cases, the smaller the DC value after a transform is, and the smaller the AC coefficients are, the fewer the bits that are required at a given quantization step size to represent the block after entropy coding.

Traditional intra coding used in, for example, MPEG-2 generation coding technologies, does not use intra prediction. However, some newer video compression technologies include techniques that attempt to perform prediction based on, for example, surrounding sample data and/or metadata obtained during the encoding and/or decoding of blocks of data. Such techniques are henceforth called "intra prediction" techniques. Note that in at least some cases, intra prediction is using reference data only from the current picture under reconstruction and not from reference pictures.

There can be many different forms of intra prediction. When more than one of such techniques can be used in a given video coding technology, a specific technique in use can be coded as a specific intra prediction mode that uses the specific technique. In certain cases, intra prediction modes can have submodes and/or parameters, where the submodes and/or parameters can be coded individually or included in a mode codeword, which defines the prediction mode being used. Which codeword to use for a given mode, submode, and/or parameter combination can have an impact in the coding efficiency gain through intra prediction, and so can the entropy coding technology used to translate the codewords into a bitstream.

A certain mode of intra prediction was introduced with H.264, refined in H.265, and further refined in newer coding technologies such as joint exploration model (JEM), versatile video coding (VVC), and benchmark set (BMS). A predictor block can be formed using neighboring sample values of already available samples. Sample values of neighboring samples are copied into the predictor block according to a direction. A reference to the direction in use can be coded in the bitstream or may itself be predicted.

Referring to FIG. 1A, depicted in the lower right is a subset of nine predictor directions known from the 33 possible predictor directions (corresponding to the 33 angular modes of the 35 intra modes) defined in H.265. The point where the arrows converge (**101**) represents the sample being predicted. The arrows represent the direction from which the sample is being predicted. For example, arrow (**102**) indicates that sample (**101**) is predicted from a sample or samples to the upper right, at a 45 degree angle from the horizontal. Similarly, arrow (**103**) indicates that sample (**101**) is predicted from a sample or samples to the lower left of sample (**101**), in a 22.5 degree angle from the horizontal.

Still referring to FIG. 1A, on the top left there is depicted a square block (**104**) of 4×4 samples (indicated by a dashed, boldface line). The square block (**104**) includes 16 samples, each labelled with an "S", its position in the Y dimension

(e.g., row index) and its position in the X dimension (e.g., column index). For example, sample S21 is the second sample in the Y dimension (from the top) and the first (from the left) sample in the X dimension. Similarly, sample S44 is the fourth sample in block (104) in both the Y and X dimensions. As the block is 4x4 samples in size, S44 is at the bottom right. Further shown are reference samples that follow a similar numbering scheme. A reference sample is labelled with an R, its Y position (e.g., row index) and X position (column index) relative to block (104). In both H.264 and H.265, prediction samples neighbor the block under reconstruction; therefore, no negative values need to be used.

Intra picture prediction can work by copying reference sample values from the neighboring samples indicated by the signaled prediction direction. For example, assume the coded video bitstream includes signaling that, for this block, indicates a prediction direction consistent with arrow (102)—that is, samples are predicted from samples to the upper right, at a 45 degree angle from the horizontal. In that case, samples S41, S32, S23, and S14 are predicted from the same reference sample R05. Sample S44 is then predicted from reference sample R08.

In certain cases, the values of multiple reference samples may be combined, for example through interpolation, in order to calculate a reference sample; especially when the directions are not evenly divisible by 45 degrees.

The number of possible directions has increased as video coding technology has developed. In H.264 (year 2003), nine different direction could be represented. That increased to 33 in H.265 (year 2013). Currently, JEM/VVC/BMS can support up to 65 directions. Experiments have been conducted to identify the most likely directions, and certain techniques in the entropy coding are used to represent those likely directions in a small number of bits, accepting a certain penalty for less likely directions. Further, the directions themselves can sometimes be predicted from neighboring directions used in neighboring, already decoded, blocks.

FIG. 1B shows a schematic (110) that depicts 65 intra prediction directions according to JEM to illustrate the increasing number of prediction directions over time.

The mapping of intra prediction direction bits that represent the direction in the coded video bitstream can be different from video coding technology to video coding technology. Such mapping can range, for example, from simple direct mappings, to codewords, to complex adaptive schemes involving most probable modes, and similar techniques. In most cases, however, there can be certain directions that are statistically less likely to occur in video content than certain other directions. As the goal of video compression is the reduction of redundancy, those less likely directions will, in a well working video coding technology, be represented by a larger number of bits than more likely directions.

Image and/or video coding and decoding can be performed using inter-picture prediction with motion compensation. Motion compensation can be a lossy compression technique and can relate to techniques where a block of sample data from a previously reconstructed picture or part thereof (reference picture), after being spatially shifted in a direction indicated by a motion vector (MV henceforth), is used for the prediction of a newly reconstructed picture or picture part. In some cases, the reference picture can be the same as the picture currently under reconstruction. MVs can have two dimensions X and Y, or three dimensions, the third

being an indication of the reference picture in use (the latter, indirectly, can be a time dimension).

In some video compression techniques, an MV applicable to a certain area of sample data can be predicted from other MVs, for example from those related to another area of sample data spatially adjacent to the area under reconstruction, and preceding that MV in decoding order. Doing so can substantially reduce the amount of data required for coding the MV, thereby removing redundancy and increasing compression. MV prediction can work effectively, for example, because when coding an input video signal derived from a camera (known as natural video) there is a statistical likelihood that areas larger than the area to which a single MV is applicable move in a similar direction and, therefore, can in some cases be predicted using a similar motion vector derived from MVs of neighboring area. That results in the MV found for a given area to be similar or the same as the MV predicted from the surrounding MVs, and that in turn can be represented, after entropy coding, in a smaller number of bits than what would be used if coding the MV directly. In some cases, MV prediction can be an example of lossless compression of a signal (namely: the MVs) derived from the original signal (namely: the sample stream). In other cases, MV prediction itself can be lossy, for example because of rounding errors when calculating a predictor from several surrounding MVs.

Various MV prediction mechanisms are described in H.265/HEVC (ITU-T Rec. H.265, “High Efficiency Video Coding”, December 2016). Out of the many MV prediction mechanisms that H.265 offers, described with reference to FIG. 2 is a technique henceforth referred to as “spatial merge”.

Referring to FIG. 2, a current block (201) comprises samples that have been found by the encoder during the motion search process to be predictable from a previous block of the same size that has been spatially shifted. Instead of coding that MV directly, the MV can be derived from metadata associated with one or more reference pictures, for example from the most recent (in decoding order) reference picture, using the MV associated with either one of five surrounding samples, denoted A0, A1, and B0, B1, B2 (202 through 206, respectively). In H.265, the MV prediction can use predictors from the same reference picture that the neighboring block is using.

## SUMMARY

Aspects of the disclosure provide methods and apparatuses for video encoding/decoding. In some examples, an apparatus for video decoding includes processing circuitry.

According to an aspect of the disclosure, a method of video decoding performed in a video decoder is provided. In the method, coded information of a current block in a current picture of a video can be received from a coded video bitstream. The coded information can indicate that the current block is partitioned into at least a first partition and a second partition based on a geometric partition mode (GPM). The first partition can be associated with an intra block copy (IBC) prediction mode, and the second partition can be associated with an intra prediction mode. Prediction mode information for a first subblock of a plurality of subblocks of the current block can be stored. The prediction mode information can include one of a DC mode, a Planar mode, and an intra prediction mode based on whether the first subblock is associated with one of the IBC prediction mode, the intra prediction mode, and both the IBC prediction mode and the intra prediction mode.

In the method, most probable mode (MPM) derivation can be performed for a neighboring block of the current block using the stored prediction mode information.

In some embodiments, based on the first subblock being associated with the IBC prediction mode, the storing the prediction mode information can include storing only the Planar mode in the prediction mode information for the first subblock of the plurality of subblocks of the current block.

In some embodiments, based on the first subblock being associated with the intra prediction mode, the storing the prediction mode information can include storing only the intra prediction mode in the prediction mode information for the first subblock of the plurality of subblocks of the current block.

In some embodiments, based on the first subblock being associated with both the IBC prediction mode and the intra prediction mode, the storing the prediction mode information can include storing only the intra prediction mode in the prediction mode information for the first subblock of the plurality of subblocks of the current block.

In an embodiment, the DC mode can be stored for each of the plurality of subblocks of the current block based on the first partition of the current block being associated with the IBC prediction mode, and the second partition of the current block being associated with the intra prediction mode.

In an embodiment, the Planar mode can be stored for each of the plurality of subblocks of the current block based on the first partition of the current block being associated with the IBC prediction mode, and the second partition of the current block being associated with the intra prediction mode.

In an embodiment, the intra prediction mode can be stored for each of the plurality of subblocks of the current block based on the first partition of the current block being associated with the IBC prediction mode, and the second partition of the current block being associated with the intra prediction mode.

In some embodiments, the prediction mode information for the first subblock of the plurality of subblocks of the current block can be a propagated intra mode for the MPM derivation of the neighboring block of the current block, the neighboring block being predicted by the IBC prediction mode.

In some embodiments, each of the plurality of subblocks of the current block can be a respective 4 by 4 pixel unit.

According to another aspect of the disclosure, an apparatus is provided. The apparatus includes processing circuitry. The processing circuitry can be configured to perform any of the methods for video encoding/decoding.

Aspects of the disclosure also provide a non-transitory computer-readable medium storing instructions which when executed by a computer for video decoding cause the computer to perform any of the methods for video encoding/decoding.

#### BRIEF DESCRIPTION OF THE DRAWINGS

Further features, the nature, and various advantages of the disclosed subject matter will be more apparent from the following detailed description and the accompanying drawings in which:

FIG. 1A is a schematic illustration of an exemplary subset of intra prediction modes.

FIG. 1B is an illustration of exemplary intra prediction directions.

FIG. 2 is a schematic illustration of a current block and its surrounding spatial merge candidates in one example.

FIG. 3 is a schematic illustration of a simplified block diagram of a communication system (300) in accordance with an embodiment.

FIG. 4 is a schematic illustration of a simplified block diagram of a communication system (400) in accordance with an embodiment.

FIG. 5 is a schematic illustration of a simplified block diagram of a decoder in accordance with an embodiment.

FIG. 6 is a schematic illustration of a simplified block diagram of an encoder in accordance with an embodiment.

FIG. 7 shows a block diagram of an encoder in accordance with another embodiment.

FIG. 8 shows a block diagram of a decoder in accordance with another embodiment.

FIG. 9 shows exemplary positions of spatial merge candidates with another embodiment.

FIG. 10 shows an exemplary redundancy check of spatial merge candidates.

FIG. 11 shows a schematic illustration of motion vector scaling for a temporal merge candidate in accordance with an embodiment.

FIG. 12 shows exemplary candidate positions for temporal merge candidates in accordance with an embodiment.

FIG. 13 shows exemplary angle distributions of a geometric partition mode (GPM) in accordance with an embodiment.

FIG. 14 shows exemplary partition lines for the GPM in accordance with an embodiment.

FIG. 15 shows a flow chart outlining an exemplary decoding process according to some embodiments of the disclosure.

FIG. 16 shows a flow chart outlining an exemplary encoding process according to some embodiments of the disclosure.

FIG. 17 is a schematic illustration of a computer system in accordance with an embodiment.

#### DETAILED DESCRIPTION OF EMBODIMENTS

FIG. 3 illustrates an exemplary block diagram of a communication system (300). The communication system (300) includes a plurality of terminal devices that can communicate with each other, via, for example, a network (350). For example, the communication system (300) includes a first pair of terminal devices (310) and (320) interconnected via the network (350). In the FIG. 3 example, the first pair of terminal devices (310) and (320) performs unidirectional transmission of data. For example, the terminal device (310) may code video data (e.g., a stream of video pictures that are captured by the terminal device (310)) for transmission to the other terminal device (320) via the network (350). The encoded video data can be transmitted in the form of one or more coded video bitstreams. The terminal device (320) may receive the coded video data from the network (350), decode the coded video data to recover the video pictures and display video pictures according to the recovered video data. Unidirectional data transmission may be common in media serving applications and the like.

In another example, the communication system (300) includes a second pair of terminal devices (330) and (340) that perform bidirectional transmission of coded video data, for example, during videoconferencing. For bidirectional transmission of data, in an example, each terminal device of the terminal devices (330) and (340) may code video data (e.g., a stream of video pictures that are captured by the terminal device) for transmission to the other terminal device of the terminal devices (330) and (340) via the

network (350). Each terminal device of the terminal devices (330) and (340) also may receive the coded video data transmitted by the other terminal device of the terminal devices (330) and (340), and may decode the coded video data to recover the video pictures and may display video pictures at an accessible display device according to the recovered video data.

In the example of FIG. 3, the terminal devices (310), (320), (330) and (340) are respectively illustrated as servers, personal computers and smart phones but the principles of the present disclosure may be not so limited. Embodiments of the present disclosure find application with laptop computers, tablet computers, media players, and/or dedicated video conferencing equipment. The network (350) represents any number of networks that convey coded video data among the terminal devices (310), (320), (330) and (340), including for example wireline (wired) and/or wireless communication networks. The communication network (350) may exchange data in circuit-switched and/or packet-switched channels. Representative networks include telecommunications networks, local area networks, wide area networks and/or the Internet. For the purposes of the present discussion, the architecture and topology of the network (350) may be immaterial to the operation of the present disclosure unless explained herein below.

FIG. 4 illustrates, as an example of an application for the disclosed subject matter, a video encoder and a video decoder in a streaming environment. The disclosed subject matter can be equally applicable to other video enabled applications, including, for example, video conferencing, digital TV, streaming services, storing of compressed video on digital media including CD, DVD, memory stick and the like, and so on.

A streaming system may include a capture subsystem (413), that can include a video source (401), for example a digital camera, creating for example a stream of video pictures (402) that are uncompressed. In an example, the stream of video pictures (402) includes samples that are taken by the digital camera. The stream of video pictures (402), depicted as a bold line to emphasize a high data volume when compared to encoded video data (404) (or coded video bitstreams), can be processed by an electronic device (420) that includes a video encoder (403) coupled to the video source (401). The video encoder (403) can include hardware, software, or a combination thereof to enable or implement aspects of the disclosed subject matter as described in more detail below. The encoded video data (404) (or encoded video bitstream), depicted as a thin line to emphasize the lower data volume when compared to the stream of video pictures (402), can be stored on a streaming server (405) for future use. One or more streaming client subsystems, such as client subsystems (406) and (408) in FIG. 4 can access the streaming server (405) to retrieve copies (407) and (409) of the encoded video data (404). A client subsystem (406) can include a video decoder (410), for example, in an electronic device (430). The video decoder (410) decodes the incoming copy (407) of the encoded video data and creates an outgoing stream of video pictures (411) that can be rendered on a display (412) (e.g., display screen) or other rendering device (not depicted). In some streaming systems, the encoded video data (404), (407), and (409) (e.g., video bitstreams) can be encoded according to certain video coding/compression standards. Examples of those standards include ITU-T Recommendation H.265. In an example, a video coding standard under

development is informally known as Versatile Video Coding (VVC). The disclosed subject matter may be used in the context of VVC.

It is noted that the electronic devices (420) and (430) can include other components (not shown). For example, the electronic device (420) can include a video decoder (not shown) and the electronic device (430) can include a video encoder (not shown) as well.

FIG. 5 shows an exemplary block diagram of a video decoder (510). The video decoder (510) can be included in an electronic device (530). The electronic device (530) can include a receiver (531) (e.g., receiving circuitry). The video decoder (510) can be used in the place of the video decoder (410) in the FIG. 4 example.

The receiver (531) may receive one or more coded video sequences to be decoded by the video decoder (510). In an embodiment, one coded video sequence is received at a time, where the decoding of each coded video sequence is independent from the decoding of other coded video sequences. The coded video sequence may be received from a channel (501), which may be a hardware/software link to a storage device which stores the encoded video data. The receiver (531) may receive the encoded video data with other data, for example, coded audio data and/or ancillary data streams, that may be forwarded to their respective using entities (not depicted). The receiver (531) may separate the coded video sequence from the other data. To combat network jitter, a buffer memory (515) may be coupled in between the receiver (531) and an entropy decoder/parser (520) (“parser (520)” henceforth). In certain applications, the buffer memory (515) is part of the video decoder (510). In others, it can be outside of the video decoder (510) (not depicted). In still others, there can be a buffer memory (not depicted) outside of the video decoder (510), for example to combat network jitter, and in addition another buffer memory (515) inside the video decoder (510), for example to handle playout timing. When the receiver (531) is receiving data from a store/forward device of sufficient bandwidth and controllability, or from an isosynchronous network, the buffer memory (515) may not be needed, or can be small. For use on best effort packet networks such as the Internet, the buffer memory (515) may be required, can be comparatively large and can be advantageously of adaptive size, and may at least partially be implemented in an operating system or similar elements (not depicted) outside of the video decoder (510).

The video decoder (510) may include the parser (520) to reconstruct symbols (521) from the coded video sequence. Categories of those symbols include information used to manage operation of the video decoder (510), and potentially information to control a rendering device such as a render device (512) (e.g., a display screen) that is not an integral part of the electronic device (530) but can be coupled to the electronic device (530), as shown in FIG. 5. The control information for the rendering device(s) may be in the form of Supplemental Enhancement Information (SEI) messages or Video Usability Information (VUI) parameter set fragments (not depicted). The parser (520) may parse/entropy-decode the coded video sequence that is received. The coding of the coded video sequence can be in accordance with a video coding technology or standard, and can follow various principles, including variable length coding, Huffman coding, arithmetic coding with or without context sensitivity, and so forth. The parser (520) may extract from the coded video sequence, a set of subgroup parameters for at least one of the subgroups of pixels in the video decoder, based upon at least one parameter corre-



sponding to the group. Subgroups can include Groups of Pictures (GOPs), pictures, tiles, slices, macroblocks, Coding Units (CUs), blocks, Transform Units (TUs), Prediction Units (PUs) and so forth. The parser (520) may also extract from the coded video sequence information such as transform coefficients, quantizer parameter values, motion vectors, and so forth.

The parser (520) may perform an entropy decoding/parsing operation on the video sequence received from the buffer memory (515), so as to create symbols (521).

Reconstruction of the symbols (521) can involve multiple different units depending on the type of the coded video picture or parts thereof (such as: inter and intra picture, inter and intra block), and other factors. Which units are involved, and how, can be controlled by subgroup control information parsed from the coded video sequence by the parser (520). The flow of such subgroup control information between the parser (520) and the multiple units below is not depicted for clarity.

Beyond the functional blocks already mentioned, the video decoder (510) can be conceptually subdivided into a number of functional units as described below. In a practical implementation operating under commercial constraints, many of these units interact closely with each other and can, at least partly, be integrated into each other. However, for the purpose of describing the disclosed subject matter, the conceptual subdivision into the functional units below is appropriate.

A first unit is the scaler/inverse transform unit (551). The scaler/inverse transform unit (551) receives a quantized transform coefficient as well as control information, including which transform to use, block size, quantization factor, quantization scaling matrices, etc. as symbol(s) (521) from the parser (520). The scaler/inverse transform unit (551) can output blocks comprising sample values, that can be input into aggregator (555).

In some cases, the output samples of the scaler/inverse transform unit (551) can pertain to an intra coded block. The intra coded block is a block that is not using predictive information from previously reconstructed pictures, but can use predictive information from previously reconstructed parts of the current picture. Such predictive information can be provided by an intra picture prediction unit (552). In some cases, the intra picture prediction unit (552) generates a block of the same size and shape of the block under reconstruction, using surrounding already reconstructed information fetched from the current picture buffer (558). The current picture buffer (558) buffers, for example, partly reconstructed current picture and/or fully reconstructed current picture. The aggregator (555), in some cases, adds, on a per sample basis, the prediction information the intra prediction unit (552) has generated to the output sample information as provided by the scaler/inverse transform unit (551).

In other cases, the output samples of the scaler/inverse transform unit (551) can pertain to an inter coded, and potentially motion compensated, block. In such a case, a motion compensation prediction unit (553) can access reference picture memory (557) to fetch samples used for prediction. After motion compensating the fetched samples in accordance with the symbols (521) pertaining to the block, these samples can be added by the aggregator (555) to the output of the scaler/inverse transform unit (551) (in this case called the residual samples or residual signal) so as to generate output sample information. The addresses within the reference picture memory (557) from where the motion compensation prediction unit (553) fetches prediction

samples can be controlled by motion vectors, available to the motion compensation prediction unit (553) in the form of symbols (521) that can have, for example X, Y, and reference picture components. Motion compensation also can include interpolation of sample values as fetched from the reference picture memory (557) when sub-sample exact motion vectors are in use, motion vector prediction mechanisms, and so forth.

The output samples of the aggregator (555) can be subject to various loop filtering techniques in the loop filter unit (556). Video compression technologies can include in-loop filter technologies that are controlled by parameters included in the coded video sequence (also referred to as coded video bitstream) and made available to the loop filter unit (556) as symbols (521) from the parser (520). Video compression can also be responsive to meta-information obtained during the decoding of previous (in decoding order) parts of the coded picture or coded video sequence, as well as responsive to previously reconstructed and loop-filtered sample values.

The output of the loop filter unit (556) can be a sample stream that can be output to the render device (512) as well as stored in the reference picture memory (557) for use in future inter-picture prediction.

Certain coded pictures, once fully reconstructed, can be used as reference pictures for future prediction. For example, once a coded picture corresponding to a current picture is fully reconstructed and the coded picture has been identified as a reference picture (by, for example, the parser (520)), the current picture buffer (558) can become a part of the reference picture memory (557), and a fresh current picture buffer can be reallocated before commencing the reconstruction of the following coded picture.

The video decoder (510) may perform decoding operations according to a predetermined video compression technology or a standard, such as ITU-T Rec. H.265. The coded video sequence may conform to a syntax specified by the video compression technology or standard being used, in the sense that the coded video sequence adheres to both the syntax of the video compression technology or standard and the profiles as documented in the video compression technology or standard. Specifically, a profile can select certain tools as the only tools available for use under that profile from all the tools available in the video compression technology or standard. Also necessary for compliance can be that the complexity of the coded video sequence is within bounds as defined by the level of the video compression technology or standard. In some cases, levels restrict the maximum picture size, maximum frame rate, maximum reconstruction sample rate (measured in, for example megasamples per second), maximum reference picture size, and so on. Limits set by levels can, in some cases, be further restricted through Hypothetical Reference Decoder (HRD) specifications and metadata for HRD buffer management signaled in the coded video sequence.

In an embodiment, the receiver (531) may receive additional (redundant) data with the encoded video. The additional data may be included as part of the coded video sequence(s). The additional data may be used by the video decoder (510) to properly decode the data and/or to more accurately reconstruct the original video data. Additional data can be in the form of, for example, temporal, spatial, or signal noise ratio (SNR) enhancement layers, redundant slices, redundant pictures, forward error correction codes, and so on.

FIG. 6 shows an exemplary block diagram of a video encoder (603). The video encoder (603) is included in an electronic device (620). The electronic device (620) includes

a transmitter (640) (e.g., transmitting circuitry). The video encoder (603) can be used in the place of the video encoder (403) in the FIG. 4 example.

The video encoder (603) may receive video samples from a video source (601) (that is not part of the electronic device (620) in the FIG. 6 example) that may capture video image(s) to be coded by the video encoder (603). In another example, the video source (601) is a part of the electronic device (620).

The video source (601) may provide the source video sequence to be coded by the video encoder (603) in the form of a digital video sample stream that can be of any suitable bit depth (for example: 8 bit, 10 bit, 12 bit, . . . ), any colorspace (for example, BT.601 Y CrCb, RGB, . . . ), and any suitable sampling structure (for example Y CrCb 4:2:0, Y CrCb 4:4:4). In a media serving system, the video source (601) may be a storage device storing previously prepared video. In a videoconferencing system, the video source (601) may be a camera that captures local image information as a video sequence. Video data may be provided as a plurality of individual pictures that impart motion when viewed in sequence. The pictures themselves may be organized as a spatial array of pixels, wherein each pixel can comprise one or more samples depending on the sampling structure, color space, etc. in use. A person skilled in the art can readily understand the relationship between pixels and samples. The description below focuses on samples.

According to an embodiment, the video encoder (603) may code and compress the pictures of the source video sequence into a coded video sequence (643) in real time or under any other time constraints as required. Enforcing appropriate coding speed is one function of a controller (650). In some embodiments, the controller (650) controls other functional units as described below and is functionally coupled to the other functional units. The coupling is not depicted for clarity. Parameters set by the controller (650) can include rate control related parameters (picture skip, quantizer, lambda value of rate-distortion optimization techniques, . . . ), picture size, group of pictures (GOP) layout, maximum motion vector search range, and so forth. The controller (650) can be configured to have other suitable functions that pertain to the video encoder (603) optimized for a certain system design.

In some embodiments, the video encoder (603) is configured to operate in a coding loop. As an oversimplified description, in an example, the coding loop can include a source coder (630) (e.g., responsible for creating symbols, such as a symbol stream, based on an input picture to be coded, and a reference picture(s)), and a (local) decoder (633) embedded in the video encoder (603). The decoder (633) reconstructs the symbols to create the sample data in a similar manner as a (remote) decoder also would create. The reconstructed sample stream (sample data) is input to the reference picture memory (634). As the decoding of a symbol stream leads to bit-exact results independent of decoder location (local or remote), the content in the reference picture memory (634) is also bit exact between the local encoder and remote encoder. In other words, the prediction part of an encoder “sees” as reference picture samples exactly the same sample values as a decoder would “see” when using prediction during decoding. This fundamental principle of reference picture synchronicity (and resulting drift, if synchronicity cannot be maintained, for example because of channel errors) is used in some related arts as well.

The operation of the “local” decoder (633) can be the same as of a “remote” decoder, such as the video decoder

(510), which has already been described in detail above in conjunction with FIG. 5. Briefly referring also to FIG. 5, however, as symbols are available and encoding/decoding of symbols to a coded video sequence by an entropy coder (645) and the parser (520) can be lossless, the entropy decoding parts of the video decoder (510), including the buffer memory (515), and parser (520) may not be fully implemented in the local decoder (633).

In an embodiment, a decoder technology except the parsing/entropy decoding that is present in a decoder is present, in an identical or a substantially identical functional form, in a corresponding encoder. Accordingly, the disclosed subject matter focuses on decoder operation. The description of encoder technologies can be abbreviated as they are the inverse of the comprehensively described decoder technologies. In certain areas a more detail description is provided below.

During operation, in some examples, the source coder (630) may perform motion compensated predictive coding, which codes an input picture predictively with reference to one or more previously coded picture from the video sequence that were designated as “reference pictures.” In this manner, the coding engine (632) codes differences between pixel blocks of an input picture and pixel blocks of reference picture(s) that may be selected as prediction reference(s) to the input picture.

The local video decoder (633) may decode coded video data of pictures that may be designated as reference pictures, based on symbols created by the source coder (630). Operations of the coding engine (632) may advantageously be lossy processes. When the coded video data may be decoded at a video decoder (not shown in FIG. 6), the reconstructed video sequence typically may be a replica of the source video sequence with some errors. The local video decoder (633) replicates decoding processes that may be performed by the video decoder on reference pictures and may cause reconstructed reference pictures to be stored in the reference picture memory (634). In this manner, the video encoder (603) may store copies of reconstructed reference pictures locally that have common content as the reconstructed reference pictures that will be obtained by a far-end video decoder (absent transmission errors).

The predictor (635) may perform prediction searches for the coding engine (632). That is, for a new picture to be coded, the predictor (635) may search the reference picture memory (634) for sample data (as candidate reference pixel blocks) or certain metadata such as reference picture motion vectors, block shapes, and so on, that may serve as an appropriate prediction reference for the new pictures. The predictor (635) may operate on a sample block-by-pixel block basis to find appropriate prediction references. In some cases, as determined by search results obtained by the predictor (635), an input picture may have prediction references drawn from multiple reference pictures stored in the reference picture memory (634).

The controller (650) may manage coding operations of the source coder (630), including, for example, setting of parameters and subgroup parameters used for encoding the video data.

Output of all aforementioned functional units may be subjected to entropy coding in the entropy coder (645). The entropy coder (645) translates the symbols as generated by the various functional units into a coded video sequence, by applying lossless compression to the symbols according to technologies such as Huffman coding, variable length coding, arithmetic coding, and so forth.

The transmitter (640) may buffer the coded video sequence(s) as created by the entropy coder (645) to prepare for transmission via a communication channel (660), which may be a hardware/software link to a storage device which would store the encoded video data. The transmitter (640) 5 may merge coded video data from the video encoder (603) with other data to be transmitted, for example, coded audio data and/or ancillary data streams (sources not shown).

The controller (650) may manage operation of the video encoder (603). During coding, the controller (650) may assign to each coded picture a certain coded picture type, which may affect the coding techniques that may be applied to the respective picture. For example, pictures often may be assigned as one of the following picture types:

An Intra Picture (I picture) may be one that may be coded and decoded without using any other picture in the sequence as a source of prediction. Some video codecs allow for different types of intra pictures, including, for example Independent Decoder Refresh (“IDR”) Pictures. A person skilled in the art is aware of those variants of I pictures and their respective applications and features.

A predictive picture (P picture) may be one that may be coded and decoded using intra prediction or inter prediction using at most one motion vector and reference index to predict the sample values of each block.

A bi-directionally predictive picture (B Picture) may be one that may be coded and decoded using intra prediction or inter prediction using at most two motion vectors and reference indices to predict the sample values of each block. Similarly, multiple-predictive pictures can use more than 20 two reference pictures and associated metadata for the reconstruction of a single block.

Source pictures commonly may be subdivided spatially into a plurality of sample blocks (for example, blocks of 4×4, 8×8, 4×8, or 16×16 samples each) and coded on a block-by-block basis. Blocks may be coded predictively with reference to other (already coded) blocks as determined by the coding assignment applied to the blocks’ respective pictures. For example, blocks of I pictures may be coded non-predictively or they may be coded predictively with reference to already coded blocks of the same picture (spatial prediction or intra prediction). Pixel blocks of P pictures may be coded predictively, via spatial prediction or via temporal prediction with reference to one previously coded reference picture. Blocks of B pictures may be coded predictively, via spatial prediction or via temporal prediction with reference to one or two previously coded reference pictures.

The video encoder (603) may perform coding operations according to a predetermined video coding technology or standard, such as ITU-T Rec. H.265. In its operation, the video encoder (603) may perform various compression operations, including predictive coding operations that exploit temporal and spatial redundancies in the input video sequence. The coded video data, therefore, may conform to a syntax specified by the video coding technology or standard being used.

In an embodiment, the transmitter (640) may transmit additional data with the encoded video. The source coder (630) may include such data as part of the coded video sequence. Additional data may comprise temporal/spatial/SNR enhancement layers, other forms of redundant data such as redundant pictures and slices, SEI messages, VUI parameter set fragments, and so on.

A video may be captured as a plurality of source pictures (video pictures) in a temporal sequence. Intra-picture prediction (often abbreviated to intra prediction) makes use of

spatial correlation in a given picture, and inter-picture prediction makes uses of the (temporal or other) correlation between the pictures. In an example, a specific picture under encoding/decoding, which is referred to as a current picture, is partitioned into blocks. When a block in the current picture is similar to a reference block in a previously coded and still buffered reference picture in the video, the block in the current picture can be coded by a vector that is referred to as a motion vector. The motion vector points to the reference block in the reference picture, and can have a third dimension identifying the reference picture, in case multiple reference pictures are in use.

In some embodiments, a bi-prediction technique can be used in the inter-picture prediction. According to the bi-prediction technique, two reference pictures, such as a first reference picture and a second reference picture that are both prior in decoding order to the current picture in the video (but may be in the past and future, respectively, in display order) are used. A block in the current picture can be coded by a first motion vector that points to a first reference block in the first reference picture, and a second motion vector that points to a second reference block in the second reference picture. The block can be predicted by a combination of the first reference block and the second reference block.

Further, a merge mode technique can be used in the inter-picture prediction to improve coding efficiency.

According to some embodiments of the disclosure, predictions, such as inter-picture predictions and intra-picture predictions, are performed in the unit of blocks. For example, according to the HEVC standard, a picture in a sequence of video pictures is partitioned into coding tree units (CTU) for compression, the CTUs in a picture have the same size, such as 64×64 pixels, 32×32 pixels, or 16×16 pixels. In general, a CTU includes three coding tree blocks (CTBs), which are one luma CTB and two chroma CTBs. Each CTU can be recursively quadtree split into one or multiple coding units (CUs). For example, a CTU of 64×64 pixels can be split into one CU of 64×64 pixels, or 4 CUs of 32×32 pixels, or 16 CUs of 16×16 pixels. In an example, each CU is analyzed to determine a prediction type for the CU, such as an inter prediction type or an intra prediction type. The CU is split into one or more prediction units (PUs) depending on the temporal and/or spatial predictability. Generally, each PU includes a luma prediction block (PB), and two chroma PBs. In an embodiment, a prediction operation in coding (encoding/decoding) is performed in the unit of a prediction block. Using a luma prediction block as an example of a prediction block, the prediction block includes a matrix of values (e.g., luma values) for pixels, such as 8×8 pixels, 16×16 pixels, 8×16 pixels, 16×8 pixels, and the like.

FIG. 7 shows an exemplary diagram of a video encoder (703). The video encoder (703) is configured to receive a processing block (e.g., a prediction block) of sample values within a current video picture in a sequence of video pictures, and encode the processing block into a coded picture that is part of a coded video sequence. In an example, the video encoder (703) is used in the place of the video encoder (403) in the FIG. 4 example.

In an HEVC example, the video encoder (703) receives a matrix of sample values for a processing block, such as a prediction block of 8×8 samples, and the like. The video encoder (703) determines whether the processing block is best coded using intra mode, inter mode, or bi-prediction mode using, for example, rate-distortion optimization. When the processing block is to be coded in intra mode, the video encoder (703) may use an intra prediction technique to

encode the processing block into the coded picture; and when the processing block is to be coded in inter mode or bi-prediction mode, the video encoder (703) may use an inter prediction or bi-prediction technique, respectively, to encode the processing block into the coded picture. In certain video coding technologies, merge mode can be an inter picture prediction submode where the motion vector is derived from one or more motion vector predictors without the benefit of a coded motion vector component outside the predictors. In certain other video coding technologies, a motion vector component applicable to the subject block may be present. In an example, the video encoder (703) includes other components, such as a mode decision module (not shown) to determine the mode of the processing blocks.

In the FIG. 7 example, the video encoder (703) includes an inter encoder (730), an intra encoder (722), a residue calculator (723), a switch (726), a residue encoder (724), a general controller (721), and an entropy encoder (725) coupled together as shown in FIG. 7.

The inter encoder (730) is configured to receive the samples of the current block (e.g., a processing block), compare the block to one or more reference blocks in reference pictures (e.g., blocks in previous pictures and later pictures), generate inter prediction information (e.g., description of redundant information according to inter encoding technique, motion vectors, merge mode information), and calculate inter prediction results (e.g., predicted block) based on the inter prediction information using any suitable technique. In some examples, the reference pictures are decoded reference pictures that are decoded based on the encoded video information.

The intra encoder (722) is configured to receive the samples of the current block (e.g., a processing block), in some cases compare the block to blocks already coded in the same picture, generate quantized coefficients after transform, and in some cases also generate intra prediction information (e.g., an intra prediction direction information according to one or more intra encoding techniques). In an example, the intra encoder (722) also calculates intra prediction results (e.g., predicted block) based on the intra prediction information and reference blocks in the same picture.

The general controller (721) is configured to determine general control data and control other components of the video encoder (703) based on the general control data. In an example, the general controller (721) determines the mode of the block, and provides a control signal to the switch (726) based on the mode. For example, when the mode is the intra mode, the general controller (721) controls the switch (726) to select the intra mode result for use by the residue calculator (723), and controls the entropy encoder (725) to select the intra prediction information and include the intra prediction information in the bitstream; and when the mode is the inter mode, the general controller (721) controls the switch (726) to select the inter prediction result for use by the residue calculator (723), and controls the entropy encoder (725) to select the inter prediction information and include the inter prediction information in the bitstream.

The residue calculator (723) is configured to calculate a difference (residue data) between the received block and prediction results selected from the intra encoder (722) or the inter encoder (730). The residue encoder (724) is configured to operate based on the residue data to encode the residue data to generate the transform coefficients. In an example, the residue encoder (724) is configured to convert the residue data from a spatial domain to a frequency domain, and generate the transform coefficients. The trans-

form coefficients are then subject to quantization processing to obtain quantized transform coefficients. In various embodiments, the video encoder (703) also includes a residue decoder (728). The residue decoder (728) is configured to perform inverse-transform, and generate the decoded residue data. The decoded residue data can be suitably used by the intra encoder (722) and the inter encoder (730). For example, the inter encoder (730) can generate decoded blocks based on the decoded residue data and inter prediction information, and the intra encoder (722) can generate decoded blocks based on the decoded residue data and the intra prediction information. The decoded blocks are suitably processed to generate decoded pictures and the decoded pictures can be buffered in a memory circuit (not shown) and used as reference pictures in some examples.

The entropy encoder (725) is configured to format the bitstream to include the encoded block. The entropy encoder (725) is configured to include various information in the bitstream according to a suitable standard, such as the HEVC standard. In an example, the entropy encoder (725) is configured to include the general control data, the selected prediction information (e.g., intra prediction information or inter prediction information), the residue information, and other suitable information in the bitstream. Note that, according to the disclosed subject matter, when coding a block in the merge submode of either inter mode or bi-prediction mode, there is no residue information.

FIG. 8 shows an exemplary diagram of a video decoder (810). The video decoder (810) is configured to receive coded pictures that are part of a coded video sequence, and decode the coded pictures to generate reconstructed pictures. In an example, the video decoder (810) is used in the place of the video decoder (410) in the FIG. 4 example.

In the FIG. 8 example, the video decoder (810) includes an entropy decoder (871), an inter decoder (880), a residue decoder (873), a reconstruction module (874), and an intra decoder (872) coupled together as shown in FIG. 8.

The entropy decoder (871) can be configured to reconstruct, from the coded picture, certain symbols that represent the syntax elements of which the coded picture is made up. Such symbols can include, for example, the mode in which a block is coded (such as, for example, intra mode, inter mode, bi-predicted mode, the latter two in merge submode or another submode) and prediction information (such as, for example, intra prediction information or inter prediction information) that can identify certain sample or metadata that is used for prediction by the intra decoder (872) or the inter decoder (880), respectively. The symbols can also include residual information in the form of, for example, quantized transform coefficients, and the like. In an example, when the prediction mode is inter or bi-predicted mode, the inter prediction information is provided to the inter decoder (880); and when the prediction type is the intra prediction type, the intra prediction information is provided to the intra decoder (872). The residual information can be subject to inverse quantization and is provided to the residue decoder (873).

The inter decoder (880) is configured to receive the inter prediction information, and generate inter prediction results based on the inter prediction information.

The intra decoder (872) is configured to receive the intra prediction information, and generate prediction results based on the intra prediction information.

The residue decoder (873) is configured to perform inverse quantization to extract de-quantized transform coefficients, and process the de-quantized transform coefficients to convert the residual information from the frequency

domain to the spatial domain. The residue decoder (873) may also require certain control information (to include the Quantizer Parameter (QP)), and that information may be provided by the entropy decoder (871) (data path not depicted as this may be low volume control information only).

The reconstruction module (874) is configured to combine, in the spatial domain, the residual information as output by the residue decoder (873) and the prediction results (as output by the inter or intra prediction modules as the case may be) to form a reconstructed block, that may be part of the reconstructed picture, which in turn may be part of the reconstructed video. It is noted that other suitable operations, such as a deblocking operation and the like, can be performed to improve the visual quality.

It is noted that the video encoders (403), (603), and (703), and the video decoders (410), (510), and (810) can be implemented using any suitable technique. In an embodiment, the video encoders (403), (603), and (703), and the video decoders (410), (510), and (810) can be implemented using one or more integrated circuits. In another embodiment, the video encoders (403), (603), and (603), and the video decoders (410), (510), and (810) can be implemented using one or more processors that execute software instructions.

The disclosure includes embodiments related to geometric partition mode (GPM) with intra block copy (IBC), such as signaling, processing, and storing BV information of the IBC, and handling a BV merge candidate list of GPM with IBC.

ITU-T VCEG (Q6/16) and ISO/IEC MPEG (JTC 1/SC 29/WG 11) published the H.265/HEVC (High Efficiency Video Coding) standard in 2013 (version 1), 2014 (version 2), 2015 (version 3), and 2016 (version 4). In 2015, the two standard organizations jointly formed the JVET (Joint Video Exploration Team) to explore the potential of developing the next video coding standard beyond HEVC. In October 2017, the two standard organizations issued the Joint Call for Proposals on Video Compression with Capability beyond HEVC (CfP). By Feb. 15, 2018, 22 CfP responses on standard dynamic range (SDR), 12 CfP responses on high dynamic range (HDR), and 12 CfP responses on 360 video categories were submitted, respectively. In April 2018, all received CfP responses were evaluated in the 122 MPEG/10th JVET meeting. As a result of this meeting, JVET formally launched the standardization process of next-generation video coding beyond HEVC, the new standard was named Versatile Video Coding (VVC), and JVET was renamed as Joint Video Experts Team. In 2020, ITU-T VCEG (Q6/16) and ISO/IEC MPEG (JTC 1/SC 29/WG 11) published the VVC video coding standard (version 1).

In inter prediction, for each inter-predicted coding unit (CU), motion parameters are required for coding features of VVC, for example, to be used for the inter-predicted sample generation. The motion parameters can include motion vectors, reference picture indices, a reference picture list usage index, and/or additional information. The motion parameters can be signaled in an explicit or implicit manner. When a CU is coded with a skip mode, the CU can be associated with one PU, and a significant residual coefficient, a coded motion vector delta, and/or a reference picture index may not be required. When a CU is coded with a merge mode, the motion parameters for the CU can be obtained from neighboring CUs. The neighboring CUs can include spatial and temporal candidates, and additional schedules (or additional candidates) such as introduced in VVC. The merge mode can be applied to any inter-predicted CU, not only to skip

mode. An alternative to the merge mode is an explicit transmission of motion parameters, where a motion vector, a corresponding reference picture index for each reference picture list, a reference picture list usage flag, and/or other needed information can be signaled explicitly per CU.

In VVC, a VVC Test model (VTM) reference software can include a number of new and refined inter prediction coding tools, which can include one or more of the following:

- (1) Extended merge prediction
- (2) Merge motion vector difference (MMVD)
- (3) AMVP mode with symmetric MVD signalling
- (4) Affine motion compensated prediction
- (5) Subblock-based temporal motion vector prediction (SbTMVP)
- (6) Adaptive motion vector resolution (AMVR)
- (7) Motion field storage:  $\frac{1}{16}^{th}$  luma sample MV storage and  $8 \times 8$  motion field compression
- (8) Bi-prediction with CU-level weights (BCW)
- (9) Bi-directional optical flow (BDOF)
- (10) Decoder side motion vector refinement (DMVR)
- (11) Combined inter and intra prediction (CIIP)
- (12) Geometric partitioning mode (GPM)

A merge candidate list can be constructed by including five types of candidates, such as in VTM 4. The merge candidate list can be constructed in an order as follows:

- 1) Spatial MVP from spatial neighbour CUs,
- 2) Temporal MVP from collocated CUs,
- 3) History-based MVP from an FIFO table,
- 4) Pairwise average MVP, and
- 5) Zero MVs.

A size of the merge list can be signalled in a slice header. A maximum allowed size of the merge list can be 6, such as in VTM 4. For each CU coded in the merge mode, an index of a best merge candidate can be encoded, for example using a truncated unary binarization. A first bin of the merge index can be coded with a context and a bypass coding can be used for other bins.

In a spatial candidate derivation, in VVC for example, the derivation of spatial merge candidates can be the same or similar as the derivation of spatial merge candidates in HEVC. A maximum number of merge candidates (e.g., four merge candidates) can be selected among candidates located in positions illustrated in FIG. 9, for example. As shown in FIG. 9, a current block (901) can include neighboring blocks (902)-(906) located at positions  $A_0$ ,  $A_1$ ,  $B_0$ ,  $B_1$ , and  $B_2$  respectively. An order of derivation of spatial merge candidates can be  $B_1$ ,  $A_1$ ,  $B_0$ ,  $A_0$ , and  $B_2$ . The position  $B_2$  may be considered only when any CU (or block) at the position  $A_0$ ,  $B_0$ ,  $B_1$ , or  $A_1$  is not available (e.g., because the CU belongs to another slice or tile) or is intra coded. After the candidate (or block) at position  $A_1$  is added, the addition of the remaining candidates (or blocks) can be subject to a redundancy check. The redundancy check can ensure that candidates with the same motion information are excluded from the merge list so that coding efficiency is improved. To reduce computational complexity, the redundancy check may not consider all possible candidate pairs. Instead, only candidate pairs linked with an arrow in FIG. 10 may be considered. For example, the redundancy check can be applied to 5 candidate pairs, such as a candidate pair of  $A_1$  and  $B_1$  and a candidate pair of  $A_1$  and  $A_0$ . A candidate may be added to the merge list only if a corresponding candidate that is used for redundancy check does not include the same motion information. For example, the candidate  $B_0$  may be added to the merge list only if the corresponding candidate  $B_1$  does not include the same motion information.

In a temporal candidate derivation, only one candidate may be added to a merge list. For example, as shown in FIG. 11, in the derivation of the temporal merge candidate for a current CU (1114), a scaled motion vector can be derived based on a co-located CU (1104) which belongs to a collocated reference picture (1112). A reference picture list that is used for the derivation of the co-located CU (1104) can be explicitly signaled in a slice header. The scaled motion vector for the temporal merge candidate can be obtained as illustrated by a dotted line (1102) in FIG. 11, which is scaled from a motion vector of the co-located CU (1104) using picture order count (POC) distances  $tb$  and  $td$ .  $tb$  can be defined as a POC difference between a reference picture of a current picture (e.g.,  $Curr\_ref$ ) (1106) and the current picture (e.g.,  $Curr\_pic$ ) (1108).  $td$  can be defined as a POC difference between the reference picture of the co-located picture (e.g.,  $Col\_ref$ ) (1110) and the co-located picture (e.g.,  $Col\_pic$ ) (1112). A reference picture index of temporal merge candidate can be set equal to zero.

The position for the temporal candidate can be selected between candidates  $C_0$  and  $C_1$ , as shown in FIG. 12. For example, if a CU at the position  $C_0$  is not available, is intra coded, or is outside of the current row of CTUs, the position  $C_1$  can be used. Otherwise, the position  $C_0$  can be used in the derivation of the temporal merge candidate.

A GPM can be applied to an inter prediction. The GPM may only be applied to CUs of certain sizes, for example CUs that have a size of  $8 \times 8$  or a size larger than  $8 \times 8$ . The GPM can be signalled, for example using a CU-level flag and act as one kind of merge mode. Other merge modes can include the regular merge mode, the MMVD mode, the CIIP mode, and/or the subblock merge mode.

When the GPM is used, a CU can be split into two geometric-shaped partitions by using one of a plurality of partition manners. The partitioning manners can be differentiated by angles and/or edges. In an embodiment, 64 different partitioning manners can be applied in the GPM. The 64 different partitioning manners can be differentiated by 24 angles that are non-uniform quantized between 0 and  $360^\circ$  and up to 4 edges relative to a center of a CU. FIG. 13 shows 24 exemplary angles applied in the GPM. FIG. 14 shows four exemplary possible partition edges associated with an angle with an index of 3 in a CU (1402), where each of the partition edges can be associated with a respective distance index. The distance index can indicate a distance relative to a center of the CU (1402). In GPM, each geometric partition in the CU can be inter-predicted using a respective motion vector. In addition, only uni-prediction may be allowed for each partition. For example, each partition can have one motion vector and one reference index. The constraint that only the uni-prediction motion is allowed for each partition can ensure that only two motion compensated predictions are needed for each CU, which is also applied in a conventional bi-prediction.

If GPM is used for the current CU, a signal indicating the geometric partition index, and two merge indices (one for each partition) can further be signalled. A maximum GPM candidate size can be signalled, for example explicitly at a slice level. The maximum GPM candidate size can specify a syntax binarization for GPM merge indices. After each of the two geometric partitions is predicted, sample values along a geometric partition edge can be adjusted using a blending process with adaptive weights. A prediction signal for the whole CU can accordingly be generated after the blending process. A transform and quantization process can further be applied to the whole CU in other prediction

modes. Further, the motion field of the CU that is predicted using the GPM can be stored.

An implementation cost of IBC can be high for a whole already reconstructed area of a current picture. For example, a drawback of the IBC concept in HEVC is a requirement of an additional memory in a decoded picture buffer (DPB). Thus, an external memory is normally employed in a hardware implementation of the IBC. The additional external memory access can come with an increased memory bandwidth.

It may be necessary to reduce the implementation cost in certain implementations. For example, VVC can use a fixed memory that can realize the IBC by using an on-chip memory to significantly decrease the memory bandwidth requirement and hardware complexity. Moreover, the block vector (BV) coding of IBC can employ the concept of a merge list for inter prediction. The IBC list construction process can consider BVs of two spatial neighbors and five history-based BVs (HBVP), where only the first HBVP may be compared with spatial candidates (e.g., BVs of the two spatial candidates) when the first HBVP is added to the candidate list (or IBC list).

In order to further improve compression efficiency, such as in VVC, template matching (TM) which refines the motion at the decoder side can be utilized. In the TM mode, motion is refined by constructing a template from left and above neighboring reconstructed samples and a closest match can be determined between the template in the current picture and the reference frame.

TM can be applied to GPM. When a CU is coded in GPM, whether TM is applied to refine each motion for the geometric partition can be determined. When the TM is chosen, a template can be constructed using left and above neighboring samples, and the motion can further be refined by finding a best match between the current template and a reference area with a same template pattern in the reference frame. The refined motion can be used to perform motion compensation for the geometric partition and can further be stored in the motion field.

The GPM can be applied to support inter and intra prediction to enhance the coding performance beyond VVC. For example, pre-defined intra prediction modes against (or regarding) a geometric partition line can be selected in addition to motion vectors from a merge candidate list for each geometric partition in a GPM-applied CU. An intra prediction mode or an inter prediction mode can be determined for each geometric partition based on a flag. When the inter prediction is chosen, a uni-prediction signal can be generated by MVs from the merge candidate list. Otherwise, if the intra prediction mode is chosen, a uni-prediction signal can be generated from the neighboring samples which are predicted from a specified index of intra prediction mode. The variation of the possible intra prediction modes can be restricted by the geometric shapes. Finally, the two uni-prediction signals can be blended in a same way as the ordinary GPM.

In order to reduce complexity and signalling overhead, the variation of possible intra prediction modes can be studied (or defined). For example, the effect of the variation of possible intra prediction modes on GPM with inter and intra prediction was studied for two exemplary configurations. The first configuration only tried parallel and perpendicular intra directional modes against (or regarding) the geometric partition line. In addition to the parallel and perpendicular intra angular modes against (or regarding) the geometric partition line, a Planar mode was also tested in the

second configuration. Two or three possible intra prediction modes were tested for the geometric partition in GPM with inter and intra prediction.

In a template-based intra mode derivation (TIMD), for example in JVET-V0098, for each intra mode in MPMs, a sum of absolute transformed differences (SATD) between prediction and reconstruction samples of a template region of a current CU can be computed and an intra mode with a smallest SATD cost can be chosen for the current CU. Instead of selecting the only one intra mode with the smallest SATD cost, first two modes with the smallest SATD costs which are derived with TIMD can also be selected for the current CU, for example in JVET-W0123. The two selected modes can further be fused with weights, and the weighted intra prediction can be used as an intra predictor for the current CU. In the two selected modes, if the cost of a selected intra mode with the smallest SATD cost is larger than a half value of the cost of another selected intra mode, the fusion can be applied. Otherwise, only the intra mode with the smallest SATD cost may be chosen. If the fusion is applied, the weight value can be derived from the SATD costs of the two modes.

In the disclosure, GPM with IBC and intra prediction mode can be provided to combine two geometric partitions which are generated for IBC and intra prediction mode respectively.

In order to improve the coding efficiency, a usage of intra modes within a CU with inter prediction (e.g., MODE INTER prediction mode) can be stored and be propagated as neighboring intra information for MPM derivation of a neighboring block of the CU, for example in JVET-W0123. However, a usage of intra mode within a CU with IBC may also be stored and be propagated as neighboring intra information for MPM derivation when an IBC block is encoded as GPM with IBC and intra.

In the disclosure, intra prediction mode information of GPM with IBC and intra prediction can be stored. For example, a current block can be partitioned into a first partition and a second partition. The first partition can be IBC coded and the second partition can be intra coded. The intra prediction mode information of the second partition, such as an intra prediction mode that is applied to predict the second partition, can be stored. The stored intra mode information can further be used as neighboring intra mode information when a prediction mode of a neighboring block of the current is IBC. Thus, the stored intra mode information can be used as a propagated intra mode for the neighboring block which is IBC coded. When the neighboring block is a reference block of a block, an intra mode can be derived for the block from the stored intra prediction mode information. The stored intra prediction mode information can also be applied in MPM derivation of the current block that is encoded as GPM with IBC and intra.

In an embodiment, intra prediction mode information for GPM with IBC and intra can be stored in  $N \times N$  units (e.g.,  $4 \times 4$  sample units) of the current block. For example, the current block can be divided into a plurality of  $N \times N$  units. The intra prediction mode information for each of the plurality of  $N \times N$  units can be saved in corresponding memory units (or cells).

In an embodiment, either PLANAR mode or a selected intra mode which is used for a geometric partition with intra prediction in a CU (or current block) can be stored in  $N \times N$  units (e.g.,  $4 \times 4$  units) of the current block for each geometric partition. In an example, if a geometric partition of a current block based on GPM is generated with IBC (or the geometric partition is predicted based on IBC), the PLANAR mode

can be stored in corresponding  $N \times N$  units (e.g.,  $4 \times 4$  units) of the geometric partition. Thus, for the  $N \times N$  units in the geometric partition that is generated with IBC, the PLANAR mode can be stored for each of the  $N \times N$  units positioned in the geometric partition. In another example, when a geometric partition of a current block based on GPM is generated with intra prediction, an encoded intra mode (or an intra mode that is applied to predict the geometric partition) can be stored in corresponding  $N \times N$  units (e.g.,  $4 \times 4$  units) of the geometric partition. Accordingly, for the  $N \times N$  units positioned in the geometric partition that is generated with the intra prediction, the encoded intra mode can be stored for each of the  $N \times N$  units positioned in the geometric partition. The encoded intra mode can be DC mode, PLANAR mode, or an angular mode. In yet another example, for  $N \times N$  units along (or across) a geometric boundary of the current block based on GPM, an encoded intra mode used for a geometric partition with the intra prediction in the current block can be stored for the  $N \times N$  units along the geometric boundary. Thus, for a  $N \times N$  unit across the geometric boundary of the current block in which a first partition is IBC coded and a second partition is intra coded, an intra mode that is applied to predict the second partition can be stored.

In another embodiment, DC mode can be stored for all  $N \times N$  units (e.g.,  $4 \times 4$  units) within a CU (or current block) when the CU is encoded in GPM with IBC and intra mode. Thus, the DC mode can be stored for each of the  $N \times N$  units within the current block. A corresponding  $N \times N$  unit can be positioned in a partition coded with IBC, a partition coded with intra mode, or along a geometry boundary of the partition coded with IBC and the partition coded with intra mode.

In another embodiment, PLANAR mode can be stored for all  $N \times N$  units (e.g.,  $4 \times 4$  units) within a CU when the CU is encoded in GPM with IBC and intra mode. Each of the  $N \times N$  units can be positioned in a partition coded with IBC, a partition coded with intra mode, or along a geometry boundary of the partition coded with IBC and the partition coded with intra mode.

In yet another embodiment, only a selected intra mode which is used for a geometric partition with intra prediction in a CU can be stored for all  $N \times N$  units (e.g.,  $4 \times 4$  units) within the CU. The CU can be encoded in GPM with IBC and intra mode. The selected intra mode can be DC mode, PLANAR mode, or an angular mode that is applied to predict the geometric partition of the CU encoded in GPM with IBC and intra mode. Accordingly, for each of the  $N \times N$  units within the CU, the selected intra mode can be stored for a corresponding  $N \times N$  unit. The corresponding  $N \times N$  unit can be positioned in a partition coded with IBC, a partition coded with intra mode, or along a geometry boundary of the partition coded with IBC and the partition coded with intra mode.

FIG. 15 shows a flow chart outlining an exemplary decoding process (1500) according to some embodiments of the disclosure. FIG. 16 shows a flow chart outlining an exemplary encoding process (1600) according to some embodiments of the disclosure. The proposed processes may be used separately or combined in any order. Further, each of the processes (or embodiments), encoder, and decoder may be implemented by processing circuitry (e.g., one or more processors or one or more integrated circuits). In one example, the one or more processors execute a program that is stored in a non-transitory computer-readable medium.

Operations of processes (e.g., (1500) and (1600)) may be combined or arranged in any amount or order, as desired. In

embodiments, two or more of the operations of the processes (e.g., (1500) and (1600)) may be performed in parallel.

The processes (e.g., (1500) and (1600)) can be used in the reconstruction and/or encoding of a block, so as to generate a prediction block for the block under reconstruction. In various embodiments, the processes (e.g., (1500) and (1600)) are executed by processing circuitry, such as the processing circuitry in the terminal devices (310), (320), (330) and (340), the processing circuitry that performs functions of the video encoder (403), the processing circuitry that performs functions of the video decoder (410), the processing circuitry that performs functions of the video decoder (510), the processing circuitry that performs functions of the video encoder (603), and the like. In some embodiments, the processes (e.g., (1500) and (1600)) are implemented in software instructions, thus when the processing circuitry executes the software instructions, the processing circuitry performs the processes (e.g., (1500) and (1600)).

As shown in FIG. 15, the process (1500) can start from (S1501) and proceed to (S1510). At (S1510), coded information of a current block in a current picture of a video can be received from a coded video bitstream. The coded information can indicate that the current block is partitioned into at least a first partition and a second partition based on a geometric partition mode (GPM). The first partition can be associated with an intra block copy (IBC) prediction mode, and the second partition can be associated with an intra prediction mode.

At (S1520), prediction mode information for a first subblock of a plurality of subblocks of the current block can be stored. The prediction mode information can include one of a DC mode, a Planar mode, and an intra prediction mode based on whether the first subblock is associated with one of the IBC prediction mode, the intra prediction mode, and both the IBC prediction mode and the intra prediction mode.

In the process (1500), most probable mode (MPM) derivation can be performed for a neighboring block of the current block using the stored prediction mode information.

In some embodiments, based on the first subblock being associated with the IBC prediction mode, the storing the prediction mode information can include storing only the Planar mode in the prediction mode information for the first subblock of the plurality of subblocks of the current block.

In some embodiments, based on the first subblock being associated with the intra prediction mode, the storing the prediction mode information can include storing only the intra prediction mode in the prediction mode information for the first subblock of the plurality of subblocks of the current block.

In some embodiments, based on the first subblock being associated with both the IBC prediction mode and the intra prediction mode, the storing the prediction mode information can include storing only the intra prediction mode in the prediction mode information for the first subblock of the plurality of subblocks of the current block.

In an embodiment, the DC mode can be stored for each of the plurality of subblocks of the current block based on the first partition of the current block being associated with the IBC prediction mode, and the second partition of the current block being associated with the intra prediction mode.

In an embodiment, the Planar mode can be stored for each of the plurality of subblocks of the current block based on the first partition of the current block being associated with the IBC prediction mode, and the second partition of the current block being associated with the intra prediction mode.

In an embodiment, the intra prediction mode can be stored for each of the plurality of subblocks of the current block based on the first partition of the current block being associated with the IBC prediction mode, and the second partition of the current block being associated with the intra prediction mode.

In some embodiments, the prediction mode information for the first subblock of the plurality of subblocks of the current block can be a propagated intra mode for the MPM derivation of the neighboring block of the current block, the neighboring block being predicted by the IBC prediction mode.

In some embodiments, each of the plurality of subblocks of the current block can be a respective 4 by 4 pixel unit.

After (S1520), the process proceeds to (S1599) and terminates.

The process (1500) can be suitably adapted. Step(s) in the process (1500) can be modified and/or omitted. Additional step(s) can be added. Any suitable order of implementation can be used.

As shown in FIG. 16, the process (1600) can start from (S1601) and proceed to (S1610). At (S1610), a current block in a current picture can be partitioned into at least a first partition and a second partition based on a geometric partition mode (GPM). The first partition can be associated with an intra block copy (MC) prediction mode, and the second partition can be associated with an intra prediction mode.

At (S1620), prediction mode information for a first subblock of a plurality of subblocks of the current block can be stored. The prediction mode information can include one of a DC mode, a Planar mode, and an intra prediction mode based on whether the first subblock is associated with one of the IBC prediction mode, the intra prediction mode, and both the IBC prediction mode and the intra prediction mode.

At (S1630), coding information of current block can be generated. The coding information can indicate that the current block is partitioned based on the GPM.

Then, the process proceeds to (S1699) and terminates.

The process (1600) can be suitably adapted. Step(s) in the process (1600) can be modified and/or omitted. Additional step(s) can be added. Any suitable order of implementation can be used.

The techniques described above, can be implemented as computer software using computer-readable instructions and physically stored in one or more computer-readable media. For example, FIG. 17 shows a computer system (1700) suitable for implementing certain embodiments of the disclosed subject matter.

The computer software can be coded using any suitable machine code or computer language, that may be subject to assembly, compilation, linking, or like mechanisms to create code comprising instructions that can be executed directly, or through interpretation, micro-code execution, and the like, by one or more computer central processing units (CPUs), Graphics Processing Units (GPUs), and the like.

The instructions can be executed on various types of computers or components thereof, including, for example, personal computers, tablet computers, servers, smartphones, gaming devices, internet of things devices, and the like.

The components shown in FIG. 17 for computer system (1700) are exemplary in nature and are not intended to suggest any limitation as to the scope of use or functionality of the computer software implementing embodiments of the present disclosure. Neither should the configuration of components be interpreted as having any dependency or require-



ment relating to any one or combination of components illustrated in the exemplary embodiment of a computer system (1700).

Computer system (1700) may include certain human interface input devices. Such a human interface input device may be responsive to input by one or more human users through, for example, tactile input (such as: keystrokes, swipes, data glove movements), audio input (such as: voice, clapping), visual input (such as: gestures), olfactory input (not depicted). The human interface devices can also be used to capture certain media not necessarily directly related to conscious input by a human, such as audio (such as: speech, music, ambient sound), images (such as: scanned images, photographic images obtain from a still image camera), video (such as two-dimensional video, three-dimensional video including stereoscopic video).

Input human interface devices may include one or more of (only one of each depicted): keyboard (1701), mouse (1702), trackpad (1703), touch screen (1710), data-glove (not shown), joystick (1705), microphone (1706), scanner (1707), camera (1708).

Computer system (1700) may also include certain human interface output devices. Such human interface output devices may be stimulating the senses of one or more human users through, for example, tactile output, sound, light, and smell/taste. Such human interface output devices may include tactile output devices (for example tactile feedback by the touch-screen (1710), data-glove (not shown), or joystick (1705), but there can also be tactile feedback devices that do not serve as input devices), audio output devices (such as: speakers (1709), headphones (not depicted)), visual output devices (such as screens (1710) to include CRT screens, LCD screens, plasma screens, OLED screens, each with or without touch-screen input capability, each with or without tactile feedback capability—some of which may be capable to output two dimensional visual output or more than three dimensional output through means such as stereographic output; virtual-reality glasses (not depicted), holographic displays and smoke tanks (not depicted)), and printers (not depicted).

Computer system (1700) can also include human accessible storage devices and their associated media such as optical media including CD/DVD ROM/RW (1720) with CD/DVD or the like media (1721), thumb-drive (1722), removable hard drive or solid state drive (1723), legacy magnetic media such as tape and floppy disc (not depicted), specialized ROM/ASIC/PLD based devices such as security dongles (not depicted), and the like.

Those skilled in the art should also understand that term “computer readable media” as used in connection with the presently disclosed subject matter does not encompass transmission media, carrier waves, or other transitory signals.

Computer system (1700) can also include an interface (1754) to one or more communication networks (1755). Networks can for example be wireless, wireline, optical. Networks can further be local, wide-area, metropolitan, vehicular and industrial, real-time, delay-tolerant, and so on. Examples of networks include local area networks such as Ethernet, wireless LANs, cellular networks to include GSM, 3G, 4G, 5G, LTE and the like, TV wireline or wireless wide area digital networks to include cable TV, satellite TV, and terrestrial broadcast TV, vehicular and industrial to include CANBus, and so forth. Certain networks commonly require external network interface adapters that attached to certain general purpose data ports or peripheral buses (1749) (such as, for example USB ports of the computer system (1700)); others are commonly integrated into the core of the com-

puter system (1700) by attachment to a system bus as described below (for example Ethernet interface into a PC computer system or cellular network interface into a smart-phone computer system). Using any of these networks, computer system (1700) can communicate with other entities. Such communication can be uni-directional, receive only (for example, broadcast TV), uni-directional send-only (for example CANbus to certain CANbus devices), or bi-directional, for example to other computer systems using local or wide area digital networks. Certain protocols and protocol stacks can be used on each of those networks and network interfaces as described above.

Aforementioned human interface devices, human-accessible storage devices, and network interfaces can be attached to a core (1740) of the computer system (1700).

The core (1740) can include one or more Central Processing Units (CPU) (1741), Graphics Processing Units (GPU) (1742), specialized programmable processing units in the form of Field Programmable Gate Areas (FPGA) (1743), hardware accelerators for certain tasks (1744), graphics adapters (1750), and so forth. These devices, along with Read-only memory (ROM) (1745), Random-access memory (1746), internal mass storage such as internal non-user accessible hard drives, SSDs, and the like (1747), may be connected through a system bus (1748). In some computer systems, the system bus (1748) can be accessible in the form of one or more physical plugs to enable extensions by additional CPUs, GPU, and the like. The peripheral devices can be attached either directly to the core’s system bus (1748), or through a peripheral bus (1749). In an example, the screen (1710) can be connected to the graphics adapter (1750). Architectures for a peripheral bus include PCI, USB, and the like.

CPUs (1741), GPUs (1742), FPGAs (1743), and accelerators (1744) can execute certain instructions that, in combination, can make up the aforementioned computer code. That computer code can be stored in ROM (1745) or RAM (1746). Transitional data can be also be stored in RAM (1746), whereas permanent data can be stored for example, in the internal mass storage (1747). Fast storage and retrieve to any of the memory devices can be enabled through the use of cache memory, that can be closely associated with one or more CPU (1741), GPU (1742), mass storage (1747), ROM (1745), RAM (1746), and the like.

The computer readable media can have computer code thereon for performing various computer-implemented operations. The media and computer code can be those specially designed and constructed for the purposes of the present disclosure, or they can be of the kind well known and available to those having skill in the computer software arts.

As an example and not by way of limitation, the computer system having architecture (1700), and specifically the core (1740) can provide functionality as a result of processor(s) (including CPUs, GPUs, FPGA, accelerators, and the like) executing software embodied in one or more tangible, computer-readable media. Such computer-readable media can be media associated with user-accessible mass storage as introduced above, as well as certain storage of the core (1740) that are of non-transitory nature, such as core-internal mass storage (1747) or ROM (1745). The software implementing various embodiments of the present disclosure can be stored in such devices and executed by core (1740). A computer-readable medium can include one or more memory devices or chips, according to particular needs. The software can cause the core (1740) and specifically the processors therein (including CPU, GPU, FPGA, and the like) to execute particular processes or particular parts of

particular processes described herein, including defining data structures stored in RAM (1746) and modifying such data structures according to the processes defined by the software. In addition or as an alternative, the computer system can provide functionality as a result of logic hardware or otherwise embodied in a circuit (for example: accelerator (1744)), which can operate in place of or together with software to execute particular processes or particular parts of particular processes described herein. Reference to software can encompass logic, and vice versa, where appropriate. Reference to a computer-readable media can encompass a circuit (such as an integrated circuit (IC)) storing software for execution, a circuit embodying logic for execution, or both, where appropriate. The present disclosure encompasses any suitable combination of hardware and software.

#### APPENDIX A: ACRONYMS

JEM: joint exploration model  
 VVC: versatile video coding  
 BMS: benchmark set  
 MV: Motion Vector  
 HEVC: High Efficiency Video Coding  
 SEI: Supplementary Enhancement Information  
 VUI: Video Usability Information  
 GOPs: Groups of Pictures  
 TUs: Transform Units,  
 PUs: Prediction Units  
 CTUs: Coding Tree Units  
 CTBs: Coding Tree Blocks  
 PBs: Prediction Blocks  
 HRD: Hypothetical Reference Decoder  
 SNR: Signal Noise Ratio  
 CPUs: Central Processing Units  
 GPUs: Graphics Processing Units  
 CRT: Cathode Ray Tube  
 LCD: Liquid-Crystal Display  
 OLED: Organic Light-Emitting Diode  
 CD: Compact Disc  
 DVD: Digital Video Disc  
 ROM: Read-Only Memory  
 RAM: Random Access Memory  
 ASIC: Application-Specific Integrated Circuit  
 PLD: Programmable Logic Device  
 LAN: Local Area Network  
 GSM: Global System for Mobile communications  
 LTE: Long-Term Evolution  
 CANBus: Controller Area Network Bus  
 USB: Universal Serial Bus  
 PCI: Peripheral Component Interconnect  
 FPGA: Field Programmable Gate Areas  
 SSD: solid-state drive  
 IC: Integrated Circuit  
 CU: Coding Unit

While this disclosure has described several exemplary embodiments, there are alterations, permutations, and various substitute equivalents, which fall within the scope of the disclosure. It will thus be appreciated that those skilled in the art will be able to devise numerous systems and methods which, although not explicitly shown or described herein, embody the principles of the disclosure and are thus within the spirit and scope thereof.

What is claimed is:

1. A method of video decoding performed in a video decoder, the method comprising:

receiving coded information of a current block in a current picture of a video from a coded video bitstream, the coded information indicating that the current block is partitioned into at least a first partition and a second partition based on a geometric partition mode (GPM), wherein the first partition is associated with an intra block copy (IBC) prediction mode, and wherein the second partition is associated with an intra prediction mode; and

storing prediction mode information for a first subblock of a plurality of subblocks of the current block, the prediction mode information including one of a DC mode, a Planar mode, and an intra prediction mode based on whether the first subblock is associated with one of the IBC prediction mode, the intra prediction mode, and both the IBC prediction mode and the intra prediction mode.

2. The method of claim 1, further comprising:

performing most probable mode (MPM) derivation for a neighboring block of the current block using the stored prediction mode information.

3. The method of claim 1, wherein:

based on the first subblock being associated with the IBC prediction mode, the storing the prediction mode information includes storing only the Planar mode in the prediction mode information for the first subblock of the plurality of subblocks of the current block.

4. The method of claim 1, wherein:

based on the first subblock being associated with the intra prediction mode, the storing the prediction mode information includes storing only the intra prediction mode in the prediction mode information for the first subblock of the plurality of subblocks of the current block.

5. The method of claim 1, wherein:

based on the first subblock being associated with both the IBC prediction mode and the intra prediction mode, the storing the prediction mode information includes storing only the intra prediction mode in the prediction mode information for the first subblock of the plurality of subblocks of the current block.

6. The method of claim 1, further comprising:

storing the DC mode for each of the plurality of subblocks of the current block based on the first partition of the current block being associated with the IBC prediction mode, and the second partition of the current block being associated with the intra prediction mode.

7. The method of claim 1, further comprising:

storing the Planar mode for each of the plurality of subblocks of the current block based on the first partition of the current block being associated with the IBC prediction mode, and the second partition of the current block being associated with the intra prediction mode.

8. The method of claim 1, further comprising:

storing the intra prediction mode for each of the plurality of subblocks of the current block based on the first partition of the current block being associated with the IBC prediction mode, and the second partition of the current block being associated with the intra prediction mode.

9. The method of claim 2, wherein the prediction mode information for the first subblock of the plurality of subblocks of the current block is a propagated intra mode for the MPM derivation of the neighboring block of the current block, the neighboring block being predicted by the IBC prediction mode.

- 10. An apparatus, comprising:  
processing circuitry configured to:  
receive coded information of a current block in a  
current picture of a video from a coded video bit-  
stream, the coded information indicating that the  
current block is partitioned into at least a first par-  
tition and a second partition based on a geometric  
partition mode (GPM), wherein the first partition is  
associated with an intra block copy (IBC) prediction  
mode, and wherein the second partition is associated  
with an intra prediction mode; and  
store prediction mode information for a first subblock  
of a plurality of subblocks of the current block, the  
prediction mode information including one of a DC  
mode, a Planar mode, and an intra prediction mode  
based on whether the first subblock is associated  
with one of the IBC prediction mode, the intra  
prediction mode, and both the IBC prediction mode  
and the intra prediction mode.
- 11. The apparatus of claim 10, wherein the processing  
circuitry is configured to:  
perform most probable mode (MPM) derivation for a  
neighboring block of the current block using the stored  
prediction mode information.
- 12. The apparatus of claim 10, wherein the processing  
circuitry is configured to:  
based on the first subblock being associated with the IBC  
prediction mode, store only the Planar mode in the  
prediction mode information for the first subblock of  
the plurality of subblocks of the current block.
- 13. The apparatus of claim 10, wherein the processing  
circuitry is configured to:  
based on the first subblock being associated with the intra  
prediction mode,  
store only the intra prediction mode in the prediction  
mode information for the first subblock of the plurality  
of subblocks of the current block.
- 14. The apparatus of claim 10, wherein the processing  
circuitry is configured to:  
based on the first subblock being associated with both the  
IBC prediction mode and the intra prediction mode,  
store only the intra prediction mode in the prediction  
mode information for the first subblock of the plurality  
of subblocks of the current block.
- 15. The apparatus of claim 10, wherein the processing  
circuitry is configured to:  
store the DC mode for each of the plurality of subblocks  
of the current block based on the first partition of the  
current block being associated with the IBC prediction  
mode, and the second partition of the current block  
being associated with the intra prediction mode.
- 16. The apparatus of claim 10, wherein the processing  
circuitry is configured to:  
store the Planar mode for each of the plurality of sub-  
blocks of the current block based on the first partition  
of the current block being associated with the IBC

- prediction mode, and the second partition of the current  
block being associated with the intra prediction mode.
- 17. The apparatus of claim 10, wherein the processing  
circuitry is configured to:  
store the intra prediction mode for each of the plurality of  
subblocks of the current block based on the first par-  
tition of the current block being associated with the  
IBC prediction mode, and the second partition of the  
current block being associated with the intra prediction  
mode.
- 18. The apparatus of claim 11, wherein the prediction  
mode information for the first subblock of the plurality of  
subblocks of the current block is a propagated intra mode for  
the MPM derivation of the neighboring block of the current  
block, the neighboring block being predicted by the IBC  
prediction mode.
- 19. A non-transitory computer readable storage medium  
storing instructions which when executed by at least one  
processor cause the at least one processor to perform:  
receiving coded information of a current block in a  
current picture of a video from a coded video bitstream,  
the coded information indicating that the current block  
is partitioned into at least a first partition and a second  
partition based on a geometric partition mode (GPM),  
wherein the first partition is associated with an intra  
block copy (IBC) prediction mode, and wherein the  
second partition is associated with an intra prediction  
mode; and  
storing prediction mode information for a first subblock of  
a plurality of subblocks of the current block, the  
prediction mode information including one of a DC  
mode, a Planar mode, and an intra prediction mode  
based on whether the first subblock is associated with  
one of the IBC prediction mode, the intra prediction  
mode, and both the IBC prediction mode and the intra  
prediction mode.
- 20. The non-transitory computer readable storage medium  
according to claim 19, wherein the instructions which when  
executed by the at least one processor cause the at least one  
processor to perform one of:  
based on the first subblock being associated with the IBC  
prediction mode, storing only the Planar mode in the  
prediction mode information for the first subblock of  
the plurality of subblocks of the current block;  
based on the first subblock being associated with the intra  
prediction mode, storing only the intra prediction mode  
in the prediction mode information for the first sub-  
block of the plurality of subblocks of the current block;  
and  
based on the first subblock being associated with both the  
IBC prediction mode and the intra prediction mode,  
storing only the intra prediction mode in the prediction  
mode information for the first subblock of the plurality  
of subblocks of the current block.

\* \* \* \* \*