

CORRECTED VERSION

(19) World Intellectual Property Organization International Bureau



(10) International Publication Number WO 2012/102876 A8

(43) International Publication Date 2 August 2012 (02.08.2012)

- (51) International Patent Classification: B01J 19/32 (2006.01) F25J 3/04 (2006.01)
(21) International Application Number: PCT/US20 12/021197
(22) International Filing Date: 13 January 2012 (13.01.2012)
(25) Filing Language: English
(26) Publication Language: English
(30) Priority Data: 61/436,699 27 January 2011 (27.01.2011) US
(71) Applicant (for all designated States except US): PRAXAIR TECHNOLOGY, INC. [US/US]; 39 Old Ridgebury Road, Danbury, CT 06810 (US).
(72) Inventors; and
(75) Inventors/Applicants (for US only): BILLINGHAM, John [US/US]; 19 Daven Drive, Getzville, NY 14068 (US). CHEN, Guang, X. [US/US]; 235 Viscount Drive, Williamsville, NY 14221 (US).
(74) Agents: ROSENBLUM, David, M. et al; Praxair, Inc., 39 Old Ridgebury Road, Danbury, CT 06810 (US).

- (81) Designated States (unless otherwise indicated, for every kind of national protection available): AE, AG, AL, AM, AO, AT, AU, AZ, BA, BB, BG, BH, BR, BW, BY, BZ, CA, CH, CL, CN, CO, CR, CU, CZ, DE, DK, DM, DO, DZ, EC, EE, EG, ES, FI, GB, GD, GE, GH, GM, GT, HN, HR, HU, ID, IL, IN, IS, JP, KE, KG, KM, KN, KP, KR, KZ, LA, LC, LK, LR, LS, LT, LU, LY, MA, MD, ME, MG, MK, MN, MW, MX, MY, MZ, NA, NG, NI, NO, NZ, OM, PE, PG, PH, PL, PT, QA, RO, RS, RU, RW, SC, SD, SE, SG, SK, SL, SM, ST, SV, SY, TH, TJ, TM, TN, TR, TT, TZ, UA, UG, US, UZ, VC, VN, ZA, ZM, ZW.
(84) Designated States (unless otherwise indicated, for every kind of regional protection available): ARIPO (BW, GH, GM, KE, LR, LS, MW, MZ, NA, RW, SD, SL, SZ, TZ, UG, ZM, ZW), Eurasian (AM, AZ, BY, KG, KZ, MD, RU, TJ, TM), European (AL, AT, BE, BG, CH, CY, CZ, DE, DK, EE, ES, FI, FR, GB, GR, HR, HU, IE, IS, IT, LT, LU, LV, MC, MK, MT, NL, NO, PL, PT, RO, RS, SE, SI, SK, SM, TR), OAPI (BF, BJ, CF, CG, CI, CM, GA, GN, GQ, GW, ML, MR, NE, SN, TD, TG).

Declarations under Rule 4.17: as to applicant's entitlement to apply for and be granted a patent (Rule 4.17(H))

[Continued on nextpage]

(54) Title: DISTILLATION METHOD AND STRUCTURED PACKING

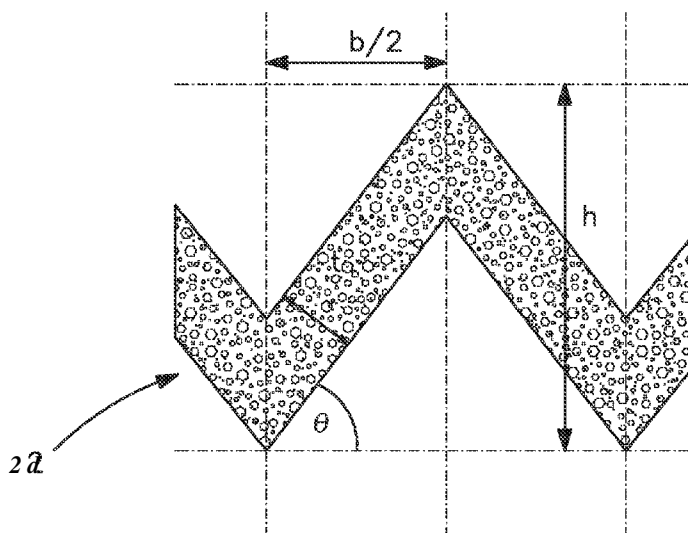


FIG. 3

(57) Abstract: A method of conducting a distillation process and a cross-corrugated structured packing for use in such a process in which ascending vapor phases and descending liquid phases are contacted in such packing. The cross-corrugated structured packing contains corrugated sheets fabricated of an open cell foam-like material. The liquid phase produces a liquid film descending along struts forming cells of the material and the vapor phase ascends within the cross-corrugated structured packing and enters the cells and contacts the liquid film. The cross-corrugated structured packing is configured such that a superficial velocity at which ambient air would flow through the cross-corrugated structured packing at a pressure drop of 0.3"wc/ft is no greater than 20 times a reference superficial velocity at which the ambient air would flow through the foam-like material making up the corrugated sheets at the same pressure drop to ensure that vapor enters the cells of the foam-like material.

WO 2012/102876 A8

— *as to the applicant's entitlement to claim the priority of the earlier application (Rule 4.17(Hi))* (48) **Date of publication of this corrected version.** July 2⁰13

Published-

— *with international search report (Art. 21(3))*

(15) **Information about Correction:**
see Notice of 11 July 2013